

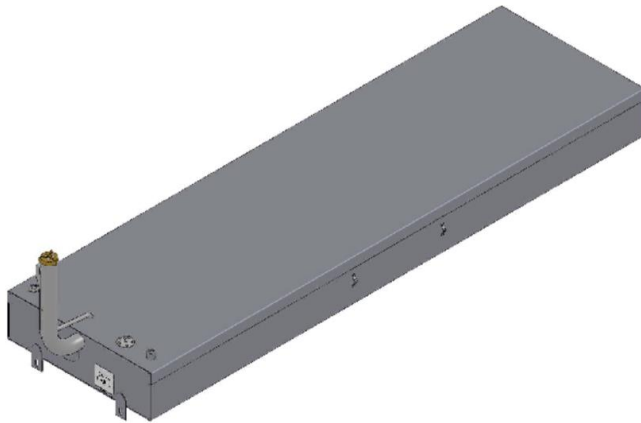


The information and specifications included in this publication were in effect at the time of approval for printing. Illustrations, descriptions, references and technical data contained in this document are for guidance only and may not be considered as binding. Multiquip Inc. reserves the right to discontinue or change specifications, design or the information published in this publication at any time without notice and without incurring any obligations.

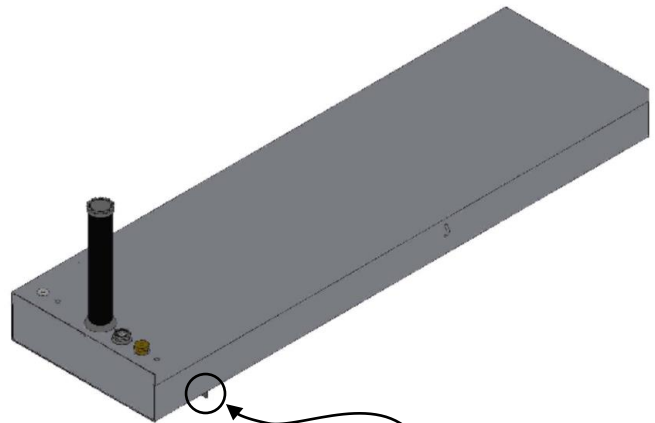
100 gal FUEL Tank on LEGACY TRAILER TRLR75XF2

This document is to assist in the installation of the new type 100 gal fuel tank onto a legacy trailer TRLR75XF2 with a minor modification to properly secure the tank in place, a bracket for front tank support will be added.

© COPYRIGHT 2022, MULTIQUIP INC, Rev. 0 (09092022)

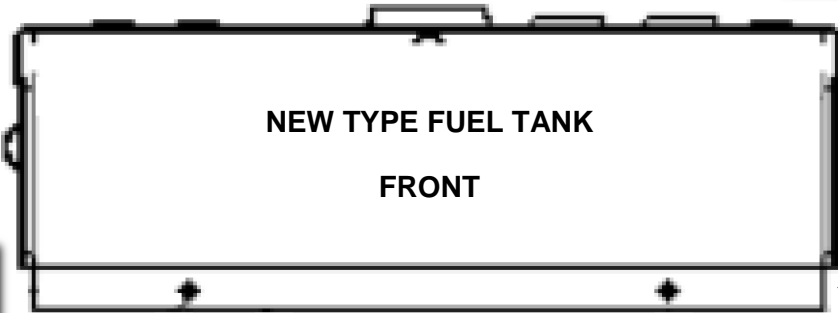


LEGACY FUEL TANK
Part #EE51793



NEW TYPE FUEL TANK KIT
Part #EE63321

Existing angle bracket with mounting holes to attach support bracket



NEW TYPE FUEL TANK
FRONT

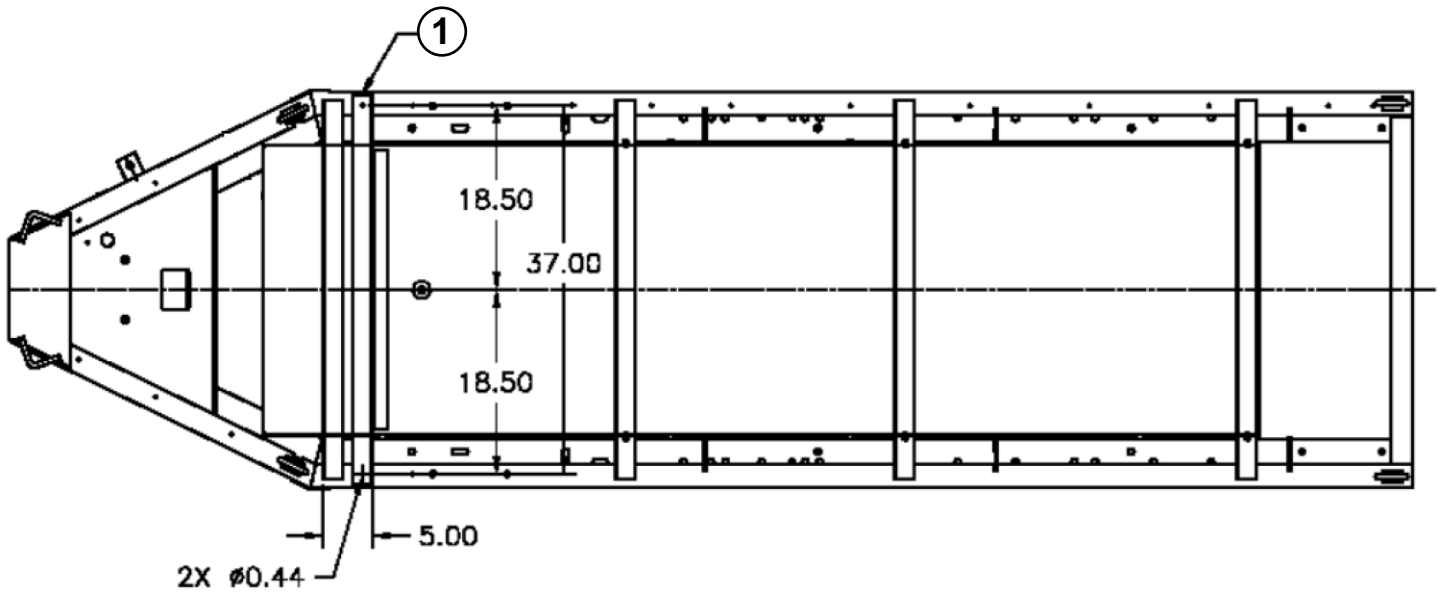
Drill 2 new holes in the trailer frame to attach the support bracket ends



SUPPORT BRACKET – BOTTOM, FRONT FUEL TANK

The information and specifications included in this publication were in effect at the time of approval for printing. Illustrations, descriptions, references and technical data contained in this document are for guidance only and may not be considered as binding. Multiquip Inc. reserves the right to discontinue or change specifications, design or the information published in this publication at any time without notice and without incurring any obligations.

100 gal FUEL Tank on LEGACY TRAILER TRLR75XF2



Notes:

1. New trailer frame mounting support bracket to fit new style tank w/vertical fuel fill pipe.

