

PARTS AND OPERATION MANUAL

STOW

A DIVISION OF MULTIQUIP INC.

FLEXIBLE SHAFT MODELS 314V AND 382V

© COPYRIGHT 2002, MULTIQUIP INC.

Revision #0 (04/08/02)



MULTIQUIP INC.

18910 WILMINGTON AVE.
CARSON, CALIFORNIA 90746
310-537-3700
800-421-1244
FAX: 310-537-3927

E-mail: mq@multiquip.com • **www:** www.multiquip.com

Atlanta • Boise • Dallas • Houston • Newark
Montreal, Canada • Manchester, UK
Rio De Janeiro, Brazil • Guadalajara, Mexico

PARTS DEPARTMENT:

800-427-1244
FAX: 800-672-7877

SERVICE DEPARTMENT/TECHNICAL ASSISTANCE:

800-478-1244
FAX: 310-631-5032

HERE'S HOW TO GET HELP

*PLEASE HAVE THE MODEL AND SERIAL NUMBER
ON-HAND WHEN CALLING*

PARTS DEPARTMENT

800-427-1244 or 310-537-3700

FAX: 800-672-7877 or 310-637-3284

SERVICE DEPARTMENT/TECHNICAL ASSISTANCE

800-478-1244 or 310-537-3700

FAX: 310- 537-4259

WARRANTY DEPARTMENT

888-661-4279, or 310-661-4279

FAX: 310- 537-1173

MAIN

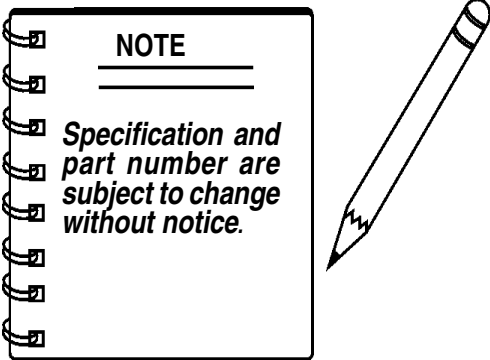
800-421-1244 or 310-537-3700

FAX: 310-537-3927

MQ-STOW — Model 314/382
Vibrator Flexible Shafts

Here's How To Get Help 2
Table Of Contents 3
Parts Ordering Procedures 4
Rules For Safe Operation 5
Specifications 6
Operation 7
Operation and Maintenance 8

Terms and Conditions of Sale -Parts 9



VIBRATOR SHAFT MODEL 314/382 — PARTS ORDERING PROCEDURES

- Dealer account number
- Dealer name and address
- Shipping address (if different than billing address)
- Return fax number
- Applicable model number
- Quantity, part number and description of each part
- Specify preferred method of shipment:
 - UPS Ground
 - UPS Second Day or Third Day*
 - UPS Next Day*
 - Federal Express Priority One (please provide us with your Federal Express account number)*
 - Airborne Express*
 - Truck or parcel post

**Normally shipped the same day the order is received, if prior to 2PM west coast time.*

Earn Extra Discounts when you order by FAX!

All parts orders which include complete part numbers and are received by fax qualify for the following extra discounts:

<u>Number of line items ordered</u>	<u>Additional Discount</u>
1-9 items	3%
10+ items**	5%

Get special freight allowances when you order 10 or more line items via FAX!**

- UPS Ground Service at no charge for freight
- UPS Third Day Service at one-half of actual freight cost

No other allowances on freight shipped by any other carrier.

**Common nuts, bolts and washers (all items under \$1.00 list price) do not count towards the 10+ line items.

DISCOUNTS ARE SUBJECT TO CHANGE

**Extra Fax Discount
for Domestic USA
Dealers Only**

**Up to 5%
extra savings!**

**UPS
Special**
For faxed orders only

**Now! Direct TOLL-FREE access
to our Parts Department!**

Toll-free nationwide:

800-421-1244

Toll-free FAX:

800/6-PARTS-7 • 800-672-7877

VIBRATOR SHAFT MODEL 314/382 — RULES FOR SAFE OPERATION

CAUTION:



Failure to follow instructions in this manual may lead to serious injury. This equipment is to be operated by trained and qualified personnel only! This equipment is for industrial use only.

ALWAYS use safety guidelines when connecting the flexible shaft to the vibrator.

GENERAL SAFETY

- **DO NOT** operate or service this equipment before reading this entire manual.



- This equipment should not be operated by persons under 18 years of age.

- **NEVER** operate this equipment without proper protective clothing, shatterproof glasses, steel-toed boots and other protective devices required by the job.



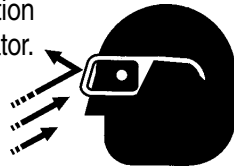
- **NEVER** operate this equipment when not feeling well due to fatigue, illness or taking medicine.



- **NEVER** operate this equipment under the influence of drugs or alcohol.



- **ALWAYS** wear proper eye protection equipment when operating the vibrator.



- Manufacture does not assume responsibility for any accident due to equipment modifications.
- **NEVER** use accessories or attachments, which are not recommended by Multiquip for this equipment. Damage to the equipment and/or injury to user may result.
- This flexible shaft assembly is component part of a vibration unit. You should obtain the safety and operating instructions for the vibrator motor unit and the vibrator head. These instructions should be read and fully understood before operation of the vibration unit.
- Before connecting the flexible shafting to the vibrator motor **make certain** the switch is in the off position and the unit is unplugged from the power source.
- **Warning!**, **never** attempt to connect the core to the vibrator motor while it is running.
- **Warning!**, **never** attempt to run the core outside of the casing assembly for any reason.
- Only use this flexible shaft to power vibrator heads.
- Inspect the unit before each use for damage. If unit is found to be damaged, have unit repaired by an authorized repair person.
- When servicing unit, use only recommended replacement parts.
- Save these instructions for future reference

VIBRATOR SHAFT MODEL 314/382 — SPECIFICATIONS

Table 1. Power Unit Specifications			
POWER UNIT	SHAFT	HEAD SIZE	MAX. SHAFT LENGTH
1HP	314	900 1000 1300	21 ft.
2HP	382	1400 1700	28 ft.
		2100	21 ft.
3HP	382	1400 1700 2100 2600	35 ft.

Table 2. Model 314 and 382 Specifications			LENGTH (FT.)							
SHAFT MODEL NO.	DESCRIPTION	STOW PART NO.	2	5	7	10	12	14	18	21
314	Core & Casing Assy.	13609	-502	-505	-507	-510	-512	-514	-518	-521
	Core Only	13319								
	Casing Only	13610								
382	Core & Casing Assy.	13829								
	Core Only	13827								
	Casing Only	13820								

VIBRATOR SHAFT MODEL 314/382 — OPERATION

Preparation and Operation

1. Before connecting the flexible shaft to the vibrator motor head, read and fully understand all of the safety and operating instructions for the flexible shaft, vibrator motor and the head.
2. The flexible shaft is shipped from the factor ready to use.
3. Use only the combination of flexible shafts, motors and heads shown in the Table 1 (specifications).
4. Operate the flexible shaft in a straight configuration as possible. Sharp bends increase the load on the core and the vibrator motor, which will result in early core failure and possible damage to the vibrator motor.
5. When storing the flexible shaft, it is recommended that it be stored flat, either laid out straight or in a large radius. Keep the ends covered to keep out foreign matter. Check lubrication before each use.
6. **CAUTION!** If the shaft begins to helix (buckle) excessively during operation, stop and correct the problem, this is an indication of an overload condition. The problem could be the core or the head.

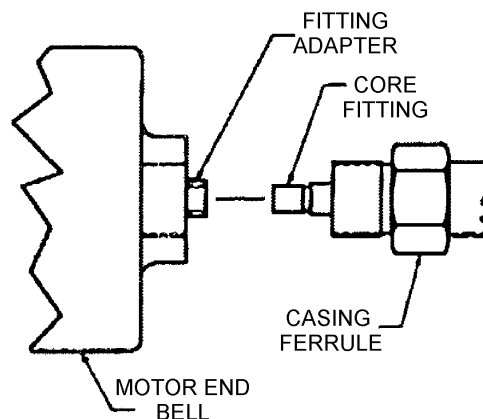


Figure 1. Motor End Bell

The following steps are for connecting the flexible shaft, Model 382 to a 2 or 3 HP vibrator motor:

5. **Warning!** *make certain* the vibrator motor is unplugged and the **OFF/ON** switch is in the **OFF** position.
6. Because all of these units use the quick disconnect system, Model 314 Q.D. coupling must be used (Figure 2). Reference P/N 24380-402, which includes the spindle P/N 25013-001 and coupling P/N 24372-001.

CONNECTING THE SHAFT

The following steps are for connecting the flexible shaft (Model 314) to the 1 HP vibrator motor:

1. **Warning!** *make certain* the vibrator motor is unplugged and the **OFF/ON** switch is in the **OFF** position.
2. Slide the core out of the shaft casing far enough to allow it to be screwed into the fitting adapter (**threads are right handed**).

If the connection is not tight the torque of the motor plus the load of the head will jam the fittings together, making it extremely difficult to break the connection loose for disassembly.

3. Screw the shaft casing ferrule into the motor end bell (threads are right handed). See Figure 1.

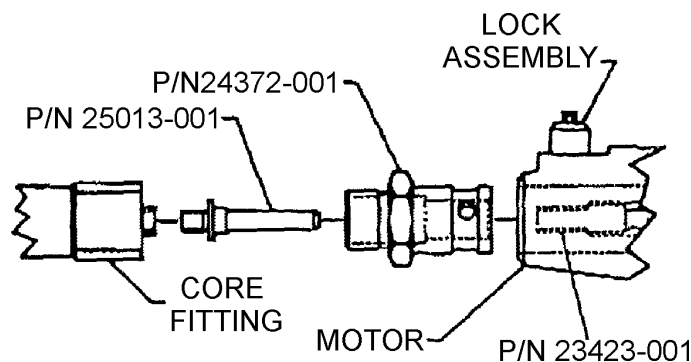


Figure 2. Motor End Bell

VIBRATOR SHAFT MODEL 314/382 — OPERATION/MAINTENANCE

Connecting the QD Coupling to the Core.

1. Slide the core out of the casing far enough to thread the spindle into the core fitting and tighten. If the connection is not tight, the torque of the motor plus the load of the head will jam the two fittings together, making it extremely hard to loosen them for disassembly.
2. Thread the Q.D. coupling into the casing ferrule and tighten.
3. To connect the shaft assembly and Q.D. coupling to the vibrator motor, pull up on the lock pin and slide the shaft into the end bell. Release the lock pin and give the shaft assembly a twist to make certain the lock pin is seated in one of the 3 holes in the shaft coupling.

Connecting Two Flexible Shafts (Model 382)

1. Use coupling P/N 13883-501 when joining the two flexible shafts (Model 382) together.
2. Connect both flexible shafts as shown in Figure 3.

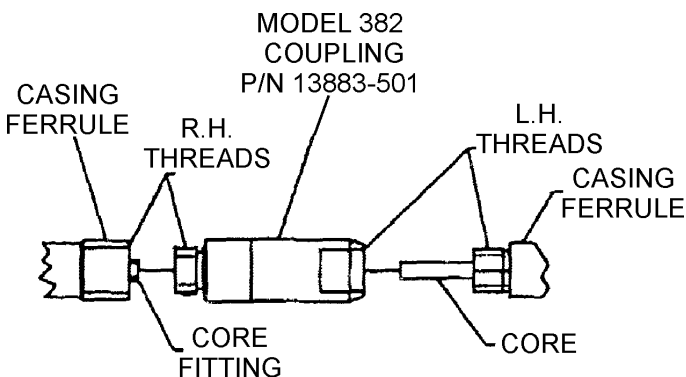
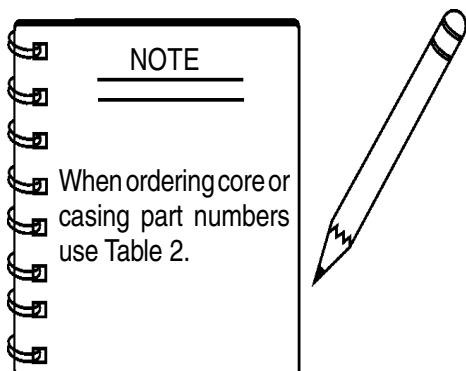


Figure 3. Connecting Two Flexible Shafts



Example: (Model 314)

A complete Core and Casing Assembly part number would be 13609. If a 12 foot shaft is desired, select 512. The new complete part number using a 12 ft. shaft would be 1309-512.

MAINTENANCE

Daily Inspection

1. Following daily use remove any dirt and concrete from the shaft, motor and head.
2. Inspect the unit for any damage to any of the three components and have repaired before further use. Refer to the respective instruction bulletins for repair of the power unit and head.
3. Inspect the casing for any cuts or holes through the covering, loose ferrules, or a permanent kink in the shaft. If any of these conditions are found, replace the casing.

100 Hour Maintenance

1. Remove the shaft from the motor.
2. If the shaft is equipped with a quick disconnect coupling, unscrew it from the casing ferrule. **Threads are right handed.**
3. Unscrew the vibrator head from the shaft casing. **Threads are left handed.** Heat should be used to loosen the anaerobic sealant in the threads.
4. Pull the core out of the casing, wiping the grease off as it is pulled from the casing.
5. Inspect the core for broken wires, a permanent set, or other damage such as an area that shows high wear of having run overheated. Replace with a new core if these conditions exist.
6. Use the core to push a cleaning patch through the casing to remove the old grease and any foreign matter.
7. Thoroughly clean the core if it is being reused.
8. Relube the core. Coat it with **DuBois "TPG"** lubricant or a good grade of ball bearing grease. Only a light coating is needed. **CAUTION: DO NOT "pack"** the shaft assembly with grease. Excessive lubrication will cause overheating.
9. Reassemble using the reverse procedure.
10. When connecting the head to the casing, clean the mating threads with an anaerobic sealant primer and allow to dry for several minutes. Apply a ring of anaerobic sealant to the middle of the casing ferrule threads. Screw the head tightly to the casing and wait for one hour before using.

TERMS AND CONDITIONS OF SALE — PARTS

PAYMENT TERMS

Terms of payment for parts are net 10 days.

FREIGHT POLICY

All parts orders will be shipped collect or prepaid with the charges added to the invoice. All shipments are F.O.B. point of origin. Multiquip's responsibility ceases when a signed manifest has been obtained from the carrier, and any claim for shortage or damage must be settled between the consignee and the carrier.

MINIMUM ORDER

The minimum charge for orders from Multiquip is \$15.00 net. Customers will be asked for instructions regarding handling of orders not meeting this requirement. If possible, additional fast moving parts will be added to the order to total \$15.00 minimum.

RETURNED GOODS POLICY

Return shipments will be accepted and credit will be allowed, subject to the following provisions:

1. A Returned Material Authorization must be approved by Multiquip prior to shipment. A copy of the Authorization must accompany the shipment to the designated Warehouse. A copy of the original Multiquip invoice to the customer must also accompany the shipment.
2. Parts being returned must be listed as currently supplied on the current parts list.

3. Parts must be in new and resalable condition, in the original Multiquip package, with Multiquip part numbers clearly marked.
4. Any item with a list price of \$1.00 or less will not be accepted.
5. Any parts with a limited shelf life (such as gaskets, seals, "O" rings, filters, etc.) that are over six months old will not be accepted.
6. Special order items are not returnable for credit.
7. Engine parts other than 2-cycle engine parts will not be accepted.
8. Credit on returned parts will be issued at dealer net price at time of original purchase, less a 15% restocking charge.
9. Credit issued will be applied to future purchases only.
10. All parts must be returned freight prepaid to Multiquip's designated receiving point. Freight is at the sender's expense.

The sender will be notified of any material received not meeting the above provisions. Such material will be held for 30 days from notification, pending instructions. If a reply is not received within 30 days, the material will be returned to the seller at his expense.

PRICING AND REBATES

Prices are subject to change without prior notice.

Price changes are effective on a specific date and all shipments on or after that date will be billed at the revised price.

Rebates for price declines and added charges for price increases will not be made for stock on hand at the time of any price change.

Multiquip reserves the right to quote and sell direct to Government agencies, and to Original Equipment Manufacturer accounts who use our products as integral parts of their own products.

SPECIAL EXPEDITING SERVICE

A \$20.00 to \$50.00 surcharge will be added to the invoice for special handling including bus shipments, insured parcel post or in cases where Multiquip must personally deliver the parts to the carrier.

LIMITATION OF SELLER'S LIABILITY

Multiquip shall not be liable hereunder for damages in excess of the purchase price of the item with respect to which damages are claimed, and in no event shall Multiquip be liable for loss of profit or good will or for any other special, consequential or incidental damages.

LIMITATION OF WARRANTIES

No warranties, express or implied, are made in connection with the sale of parts or trade accessories nor as to any engine not manufactured by Multiquip. Such warranties made in connection with the sale of new, complete units are made exclusively by a statement of warranty packaged with such units, and Multiquip neither assumes nor authorizes any person to assume for it any other obligation or liability whatever in connection with the sale of its products. Apart from such written statement of warranty, there are no warranties, express, implied or statutory, which extend beyond the description of the products on the face hereof.

PARTS AND OPERATION MANUAL

HERE'S HOW TO GET HELP

*PLEASE HAVE THE MODEL AND SERIAL NUMBER
ON-HAND WHEN CALLING*

PARTS DEPARTMENT

800-427-1244 or 310-537-3700

FAX: 800-672-7877 or 310-637-3284

SERVICE DEPARTMENT/TECHNICAL ASSISTANCE

800-478-1244 or 310-537-3700

FAX: 310- 537-4259

WARRANTY DEPARTMENT

888-661-4279, or 310-661-4279

FAX: 310- 537-1173

MAIN

800-421-1244 or 310-537-3700

FAX: 310-537-3927



MULTIQIP INC.

POST OFFICE BOX 6254
CARSON, CA 90749
310-537-3700 • 800-421-1244
FAX: 310-537-3927
E-MAIL: mq@multiquip.com
WWW: multiquip.com

Atlanta • Boise • Dallas • Houston • Newark
Quebec, Canada • Manchester, UK • Rio De Janeiro, BR • Guadalajara, MX