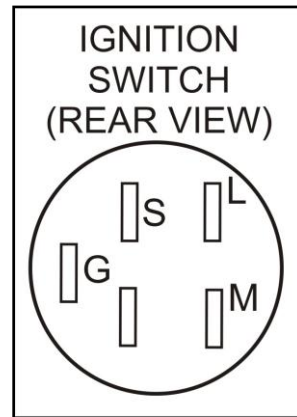


STARTER SWITCH CHANGE

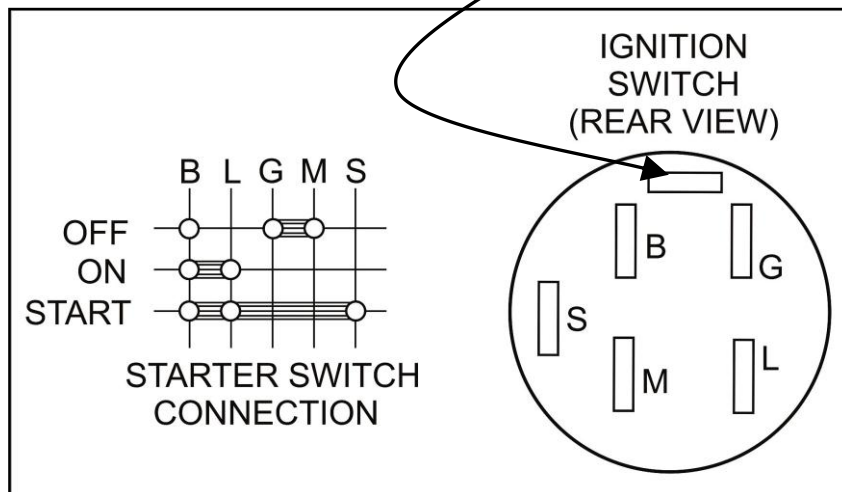
The starter switch has been changed from a 5 terminal switch to a 6 terminal switch. The part number remains the same. The new switch has an extra terminal which is not used. It will require the technician to reconfigure the harness connector to match the new terminal positions. The extra terminal should be removed.

Old Style Switch: 5 Terminal Design

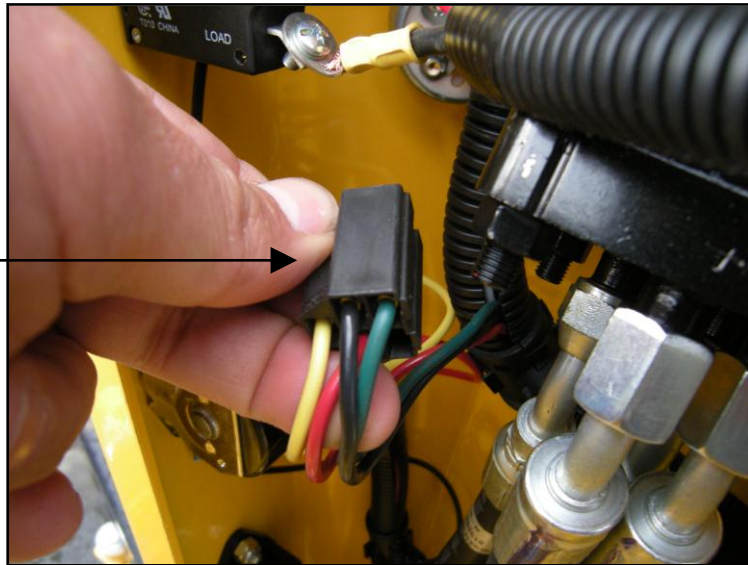


New Style Switch: 6 Terminal Design

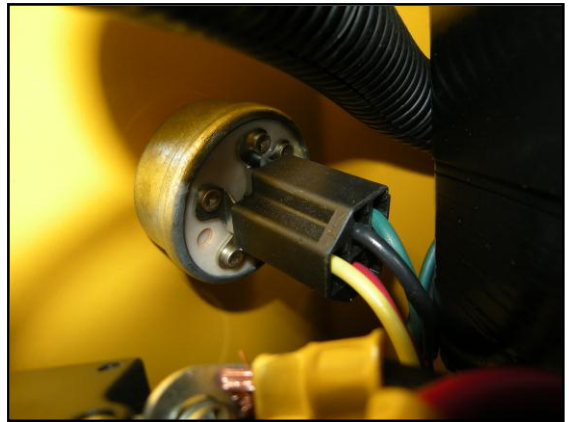
Extra Terminal



(see next page)



Harness connector



The connector will have to be reconfigured to correspond with the new switch terminals. See page one, terminal configuration is different between old switch and new switch.