

PARTS MANUAL



MODEL AR13H RIDE-ON TANDEM DRUM ROLLER PARALLEL DRIVE SYSTEM (HONDA GX610K1QZB2 GASOLINE ENGINE)

Revision #16 (06/22/21)

To find the latest revision of this publication or associated operation manual, visit our website at: www.multiquip.com



THIS MANUAL MUST ACCOMPANY THE EQUIPMENT AT ALL TIMES.

Multiquip AR13H Ride-On Tandem Drum Roller

Table Of Contents.....	2
Explanation Of Code In Remarks Column.....	4
Suggested Spare Parts	5

Roller Component Drawings

Nameplate And Decals Assembly.....	6-7
Front Drum Assembly	8-9
Exciter Assembly	10-11
Rear Drum And Chassis Assembly	12-13
Covers And Frame Articulation Lock Assy.....	14-15
Hood And Rear Panel Assembly	16-17
Steering Column And Hyd. Articulation Assy....	18-19
Articulation Arm Assembly	20-21
Hydraulic Drive Pump Assembly	22-23
Manifold And Hydraulic Oil Filter Assembly.....	24-25
Fuel Tank Assembly.....	26-27
Water Tank Assembly	28-29
Muffler Assembly	30-31
Air Cleaner Assembly	32-33
Throttle Assembly	34-35
Brake Control Assembly	36-37
Battery Assembly.....	38-39
Scraper Assembly	40-41
Engine Service Parts Assembly	42-43

NOTICE

Specifications and part numbers are subject to change without notice.

EXPLANATION OF CODE IN REMARKS COLUMN

The following section explains the different symbols and remarks used in the Parts section of this manual. Use the help numbers found on the back page of the manual if there are any questions.

NOTICE

The contents and part numbers listed in the parts section are subject to change **without notice**. Multiquip does not guarantee the availability of the parts listed.

SAMPLE PARTS LIST

NO.	PART NO.	PART NAME	QTY.	REMARKS
1	12345	BOLT	1	INCLUDES ITEMS W/%
2%		WASHER, 1/4 IN.		NOT SOLD SEPARATELY
2%	12347	WASHER, 3/8 IN. ...	1	MQ-45T ONLY
3	12348	HOSE	A/R	MAKE LOCALLY
4	12349	BEARING	1	S/N 2345B AND ABOVE

NO. Column

Unique Symbols — All items with same unique symbol (@, #, +, %, or >) in the number column belong to the same assembly or kit, which is indicated by a note in the “Remarks” column.

Duplicate Item Numbers — Duplicate numbers indicate multiple part numbers, which are in effect for the same general item, such as different size saw blade guards in use or a part that has been updated on newer versions of the same machine.

NOTICE

When ordering a part that has more than one item number listed, check the remarks column for help in determining the proper part to order.

PART NO. Column

Numbers Used — Part numbers can be indicated by a number, a blank entry, or TBD.

TBD (To Be Determined) is generally used to show a part that has not been assigned a formal part number at the time of publication.

A blank entry generally indicates that the item is not sold separately or is not sold by Multiquip. Other entries will be clarified in the “Remarks” Column.

QTY. Column

Numbers Used — Item quantity can be indicated by a number, a blank entry, or A/R.

A/R (As Required) is generally used for hoses or other parts that are sold in bulk and cut to length.

A blank entry generally indicates that the item is not sold separately. Other entries will be clarified in the “Remarks” Column.

REMARKS Column

Some of the most common notes found in the “Remarks” Column are listed below. Other additional notes needed to describe the item can also be shown.

Assembly/Kit — All items on the parts list with the same unique symbol will be included when this item is purchased.

Indicated by:

“INCLUDES ITEMS W/(unique symbol)”

Serial Number Break — Used to list an effective serial number range where a particular part is used.

Indicated by:

“S/N XXXXX AND BELOW”

“S/N XXXX AND ABOVE”

“S/N XXXX TO S/N XXX”

Specific Model Number Use — Indicates that the part is used only with the specific model number or model number variant listed. It can also be used to show a part is NOT used on a specific model or model number variant.

Indicated by:

“XXXXX ONLY”

“NOT USED ON XXXX”

“Make/Obtain Locally” — Indicates that the part can be purchased at any hardware shop or made out of available items. Examples include battery cables, shims, and certain washers and nuts.

“Not Sold Separately” — Indicates that an item cannot be purchased as a separate item and is either part of an assembly/kit that can be purchased, or is not available for sale through Multiquip.

SUGGESTED SPARE PARTS

AR13H RIDE-ON TANDEM DRUM ROLLER W/HONDA GX610K1QZB2 GASOLINE ENGINE

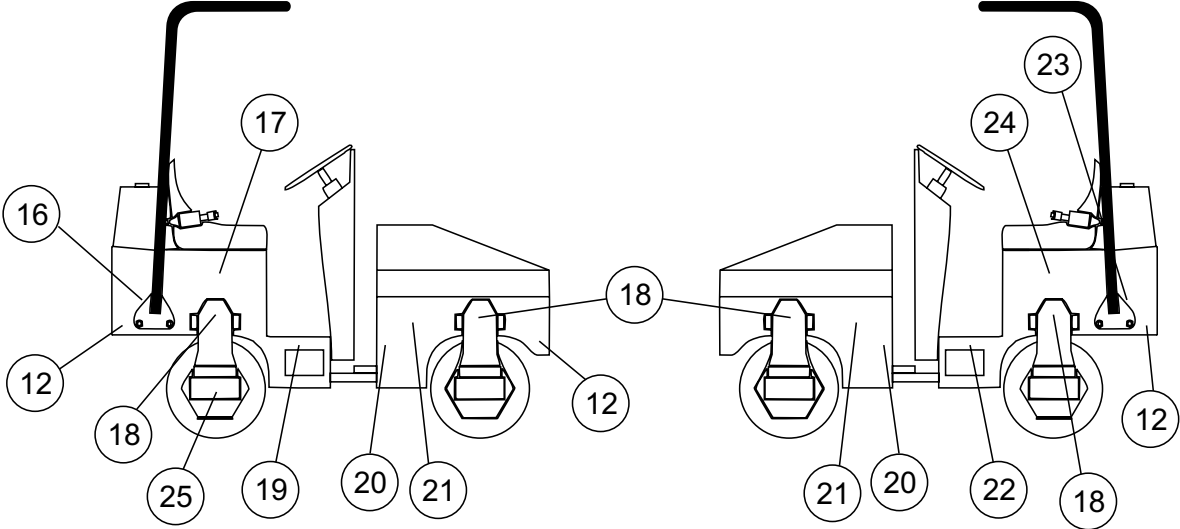
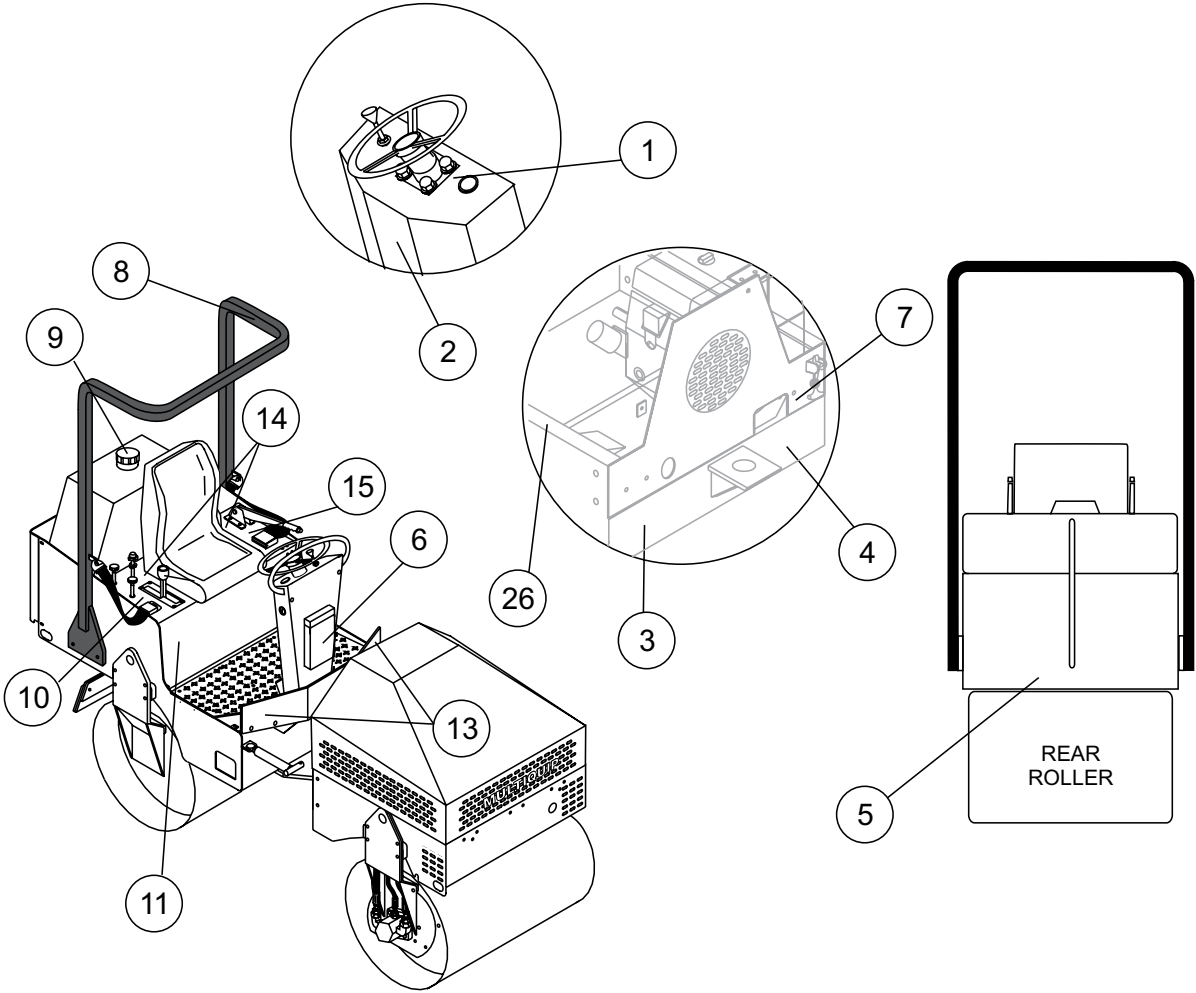
1 to 3 units

Qty.	P/N	Description
1	510229	CABLE, THROTTLE
1	506239	CABLE, CHOKE
1	513324	CABLE, FWD./REV.
1	506267	SWITCH, STARTER, S/N 241001 AND BELOW
1	10958	SWITCH, STARTER, S/N 241002 AND ABOVE
3	506267K	KEY, STARTER SWITCH
6	508667	OIL FILTER, HYDRAULIC
1	507278	CAP, HYDRAULIC TANK
1	506221	FILTER, GAS TANK
6	EM20763	FILTER, FUEL
1	34507	GAUGE, FUEL CAP
1	509249	CAP, WATER TANK
4	508433	SCRAPER, RUBBER
3	17210ZJ1842	ELEMENT, AIR CLEANER
1	17218ZJ1840	FILTER, OUTER, AIR CLEANER
6	15410ZJ4999AH	FILTER, OIL
6	9807956846	SPARK PLUG
3	16910ZE8015	FILTER, FUEL ENGINE

NOTICE

Part numbers on this Suggested Spare Parts list may supersede/replace the part numbers shown in the following parts lists.

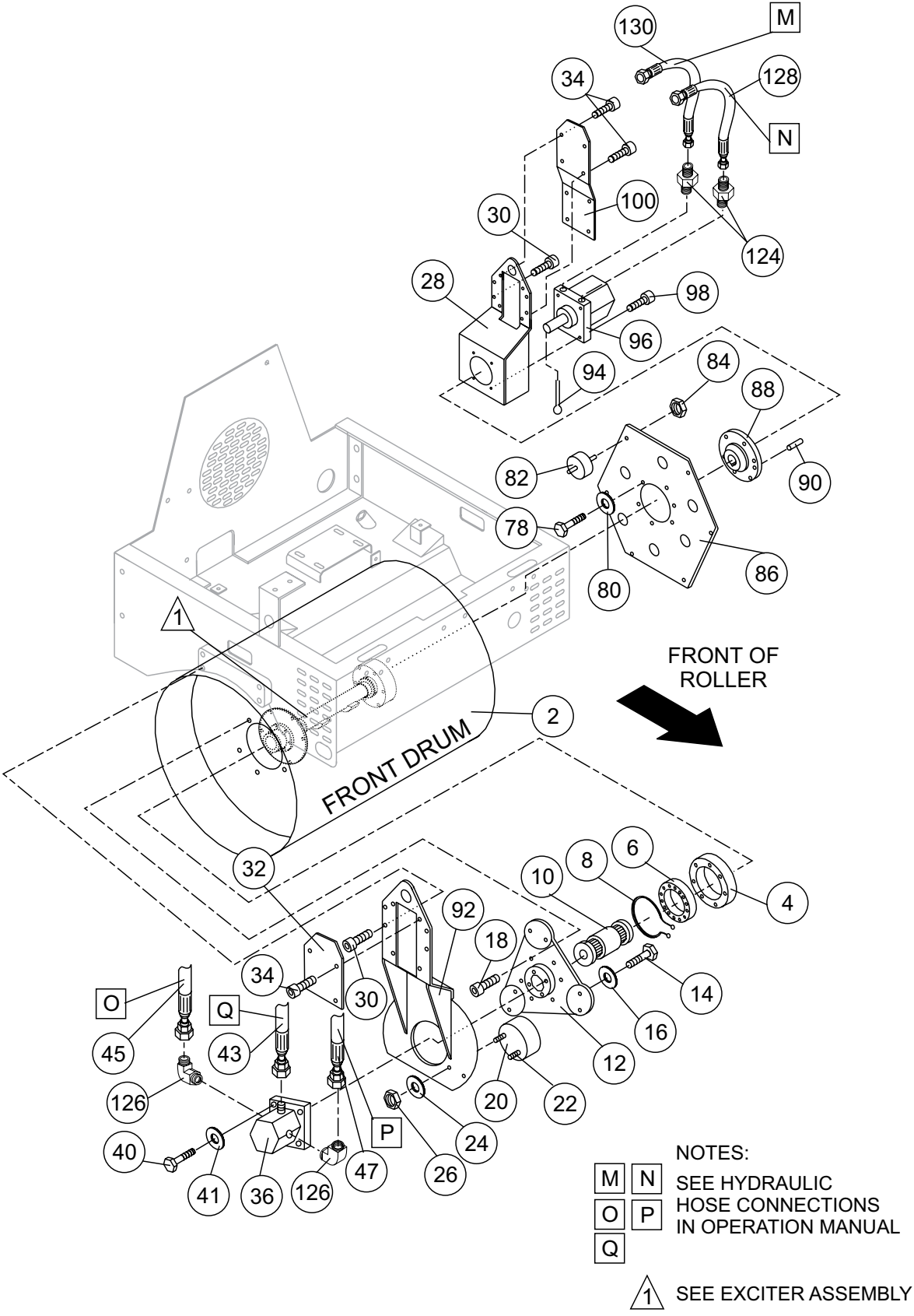
NAMEPLATE AND DECALS ASSY.



NAMEPLATE AND DECALS ASSY.

<u>NO.</u>	<u>PART NO.</u>	<u>PART NAME</u>	<u>QTY.</u>	<u>REMARKS</u>
1	513457	DECAL: STEERING CONSOLE	1	
2	13118	DECAL: POWDER COATED	1	
3	511726	DECAL: HYDRAULIC OIL LEVEL INDICATOR	1	
4	511736	DECAL: WARNING	1	
5	TBD	DECAL: MULTQUIP BANNER	1	
6	34536	DECAL: OWNERS MANUAL	1	
7	513580	DECAL: ENGINE RPM SETTING	1	
9	513698	DECAL: WATER TANK CAP	1	
10	515436	DECAL: CONTROL PANEL	1	
11	511737	DECAL: SERVICE INSTRUCTION CHART	1	
12	513393	DECAL: SECURING POINT INDICATOR.....	3.....	POINT ARROW DOWN
13	511735	DECAL: CAUTION	2	
14	513707	DECAL: ATTENTION	2	
15	513467	DECAL: PARKING BRAKE INSTRUCTIONS	1	
16	513529	DECAL: AR-13H MQ LOGO	1	
17	511738	DECAL: DANGER	1	
18	513393	DECAL: SECURING POINT INDICATOR.....	4.....	POINT ARROW UP
19	513469	DECAL: CAUTION STRIPE PATTERN	1.....	HORIZONTAL PLACEMENT
20	511718	DECAL: CAUTION STRIPE PATTERN	2.....	VERTICAL PLACEMENT
21	513688	DECAL: MQ LOGO	2	
22	513740	DECAL: CAUTION STRIPE PATTERN	1.....	HORIZONTAL PLACEMENT
23	513531	DECAL: AR-13H MQ LOGO	1	
24	511739	DECAL: CAUTION: INSTRUCTIONS	1	
25	511724	DECAL: GREASE REMINDER	1	
26	511733	DECAL: HYDRAULIC OIL INDICATOR	1	

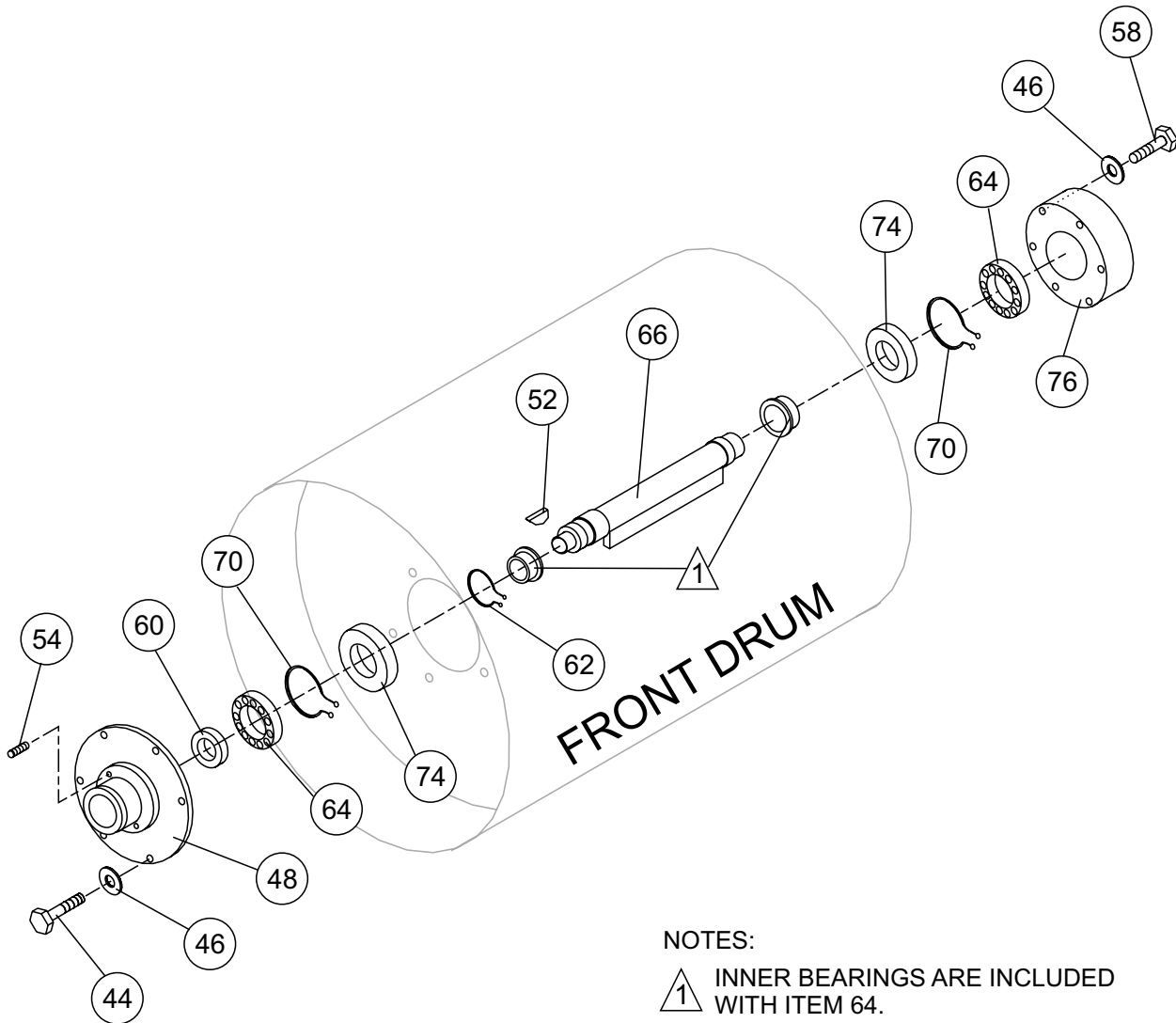
FRONT DRUM ASSY.



FRONT DRUM ASSY.

<u>NO.</u>	<u>PART NO.</u>	<u>PART NAME</u>	<u>QTY.</u>	<u>REMARKS</u>
2	513280	FRONT ROLLER	1	
4	506145	HOUSING BEARING	1	
6	506147	BEARING	1	
8	506136	RING, RETAINING	1	
10	508665	COUPLER	1	
12	506142	MOUNT, VIBRATION MOTOR	1	
14	011208025	BOLT, 8X25T.....	6.....	REPLACES P/N 508342
16	EM923023	WASHER, FLAT 5/16".....	6.....	REPLACES P/N 492597
18	492264	BOLT, 3/8"X1"	6	
20	506141	SHOCK, MOUNT	3	
22	508340	STUD, M8X40	6	
24	EM923343	WASHER, LOCK 5/16.....	6.....	REPLACES P/N 492623
26	508341	NUT, M8	6	
28	514524	ROLLER, SUPPORT	1.....	LEFT SIDE - FRONT/REAR
30	492276	BOLT 1/2"X1-1/2"	8	
32	513283	HOSE, PROTECTION COVER	1	
34	513314	NUT 1/4"X1/2"	12	
36	506220	MOTOR, HYDRAULIC	1	
40	492362	NUT, 5/16"X5/8"	4	
41	EM923343	WASHER, LOCK 5/16" DIAMETER.....	4.....	REPLACES P/N 492623
43	513337	HOSE	1	
45	513343	HOSE	1	
47	513342	HOSE	1	
78	EM963610	BOLT 3/8"X1"	6.....	REPLACES P/N 492375
80	508346	WASHER, 3/8	6	
82	505985	SHOCK, MOUNT	6	
84	021110120	NUT, NYLON LOCK M10 ZINC 1.SP	6	
86	505977	PLATE, DRIVER	1	
88	505984	HUB	1	
90	EM503803	PINS, DOWEL.....	2.....	REPLACES P/N 503803
92	514522	SUPPORT, ROLLER.....	1.....	RIGHT SIDE - FRONT
94	491690	KEY, COTTER 1/8"X2"	1	
96	506184	MOTOR, HYDRAULIC	1	
98	505990	BOLT, 1/2"X2-1/2"	4	
100	512970	HOSE AND COVER	1	
124	505951	FITTING	2	
126	513332	FITTING	2	
128	513344	HOSE	1	
130	513345	HOSE	1	

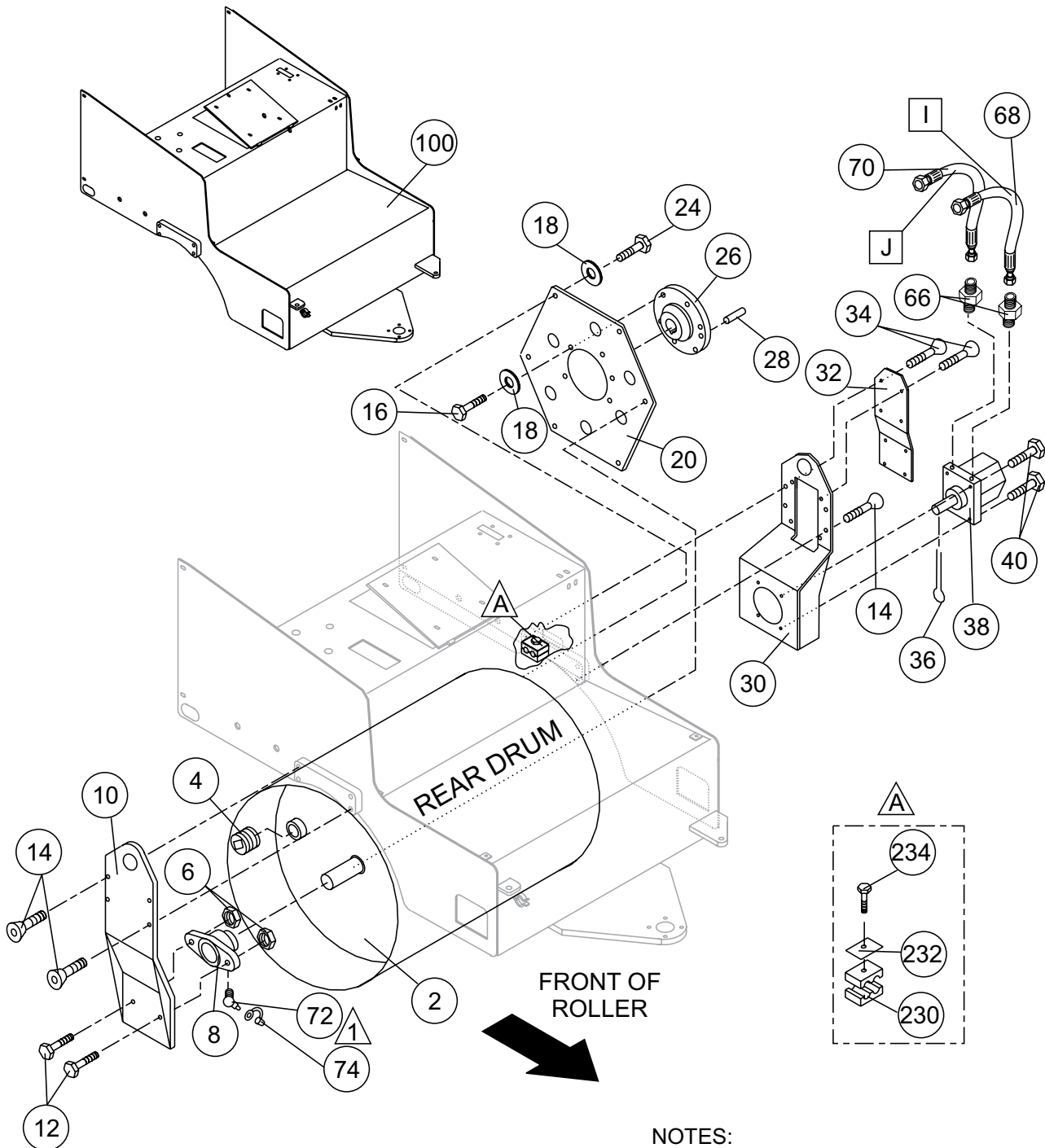
EXCITER ASSY.



EXCITER ASSY.

<u>NO.</u>	<u>PART NO.</u>	<u>PART NAME</u>	<u>QTY.</u>	<u>REMARKS</u>
44	EM963610	CAP SCREW, 3/8"NC X 1-1/4" G5	6	
46	508346	WASHER, 3/8"	12	
48	513285	HOUSING, BEARING-RIGHT	1	
52	EM927040	KEY, WOODRUFF 606	1.....	REPLACES P/N 506250
54	492467	SCREW, ALLEN 5/16"	2	
58	EM963610	CAP SCREW, 3/8"	6.....	REPLACES P/N 492375
60	506144	SEAL	1	
62	490964	RING, RETAINING	1	
64	506131	BEARING	2	
66	513418	EXCITER SHAFT	1	
70	506135	RING, RETAINING	2	
74	513286	OIL SEAL 65X100X9	2	
76	513287	HOUSING, BEARING-LEFT	1	

REAR DRUM AND CHASSIS ASSY.



NOTES:

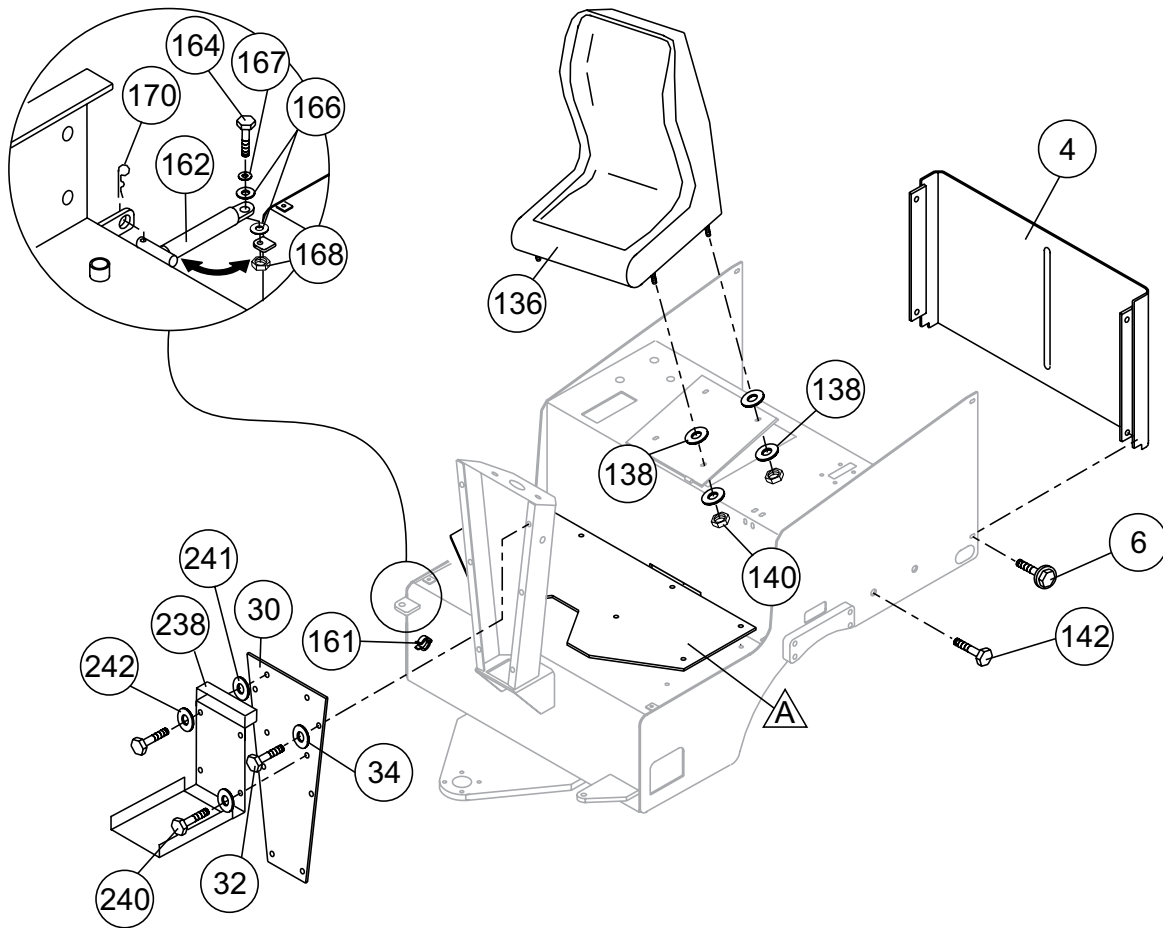
I **J** SEE HYDRAULIC HOSE CONNECTIONS IN OPERATION MANUAL

1 ITEMS 72 AND 74 ARE INCLUDED WITH ITEM 8 (BEARING, FLANGE) AND CANNOT BE SOLD SEPARATELY.

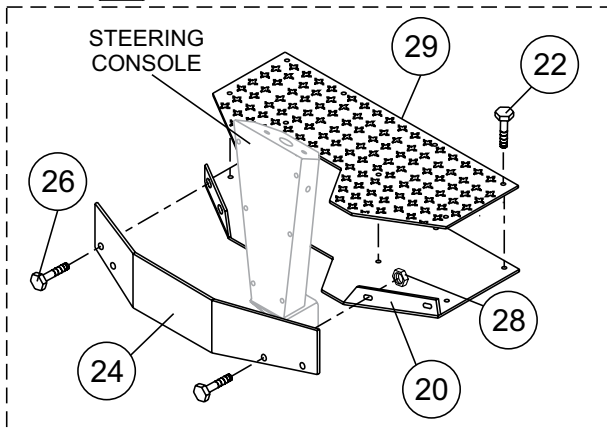
REAR DRUM AND CHASSIS ASSY.

<u>NO.</u>	<u>PART NO.</u>	<u>PART NAME</u>	<u>QTY.</u>	<u>REMARKS</u>
2	513291	REAR DRUM	1	
4	505988	ALLEN PLUG	1	
6	492584	NUT, LOCK 1/2"	1	
8	503735	BEARING, FLANGE	1	INCLUDES ITEMS W/\$
10	514523	SUPPORT, ROLLER.....	1	RIGHT SIDE - REAR
12	509165	BOLT, 1/2"NC X 2-1/4" G5	1	
14	492276	BOLT, 1/2"NC X 1-1/2" G5	8	
16	EM963610	CAP SCREW, 3/8"NC X 1-1/4" G5	6	
18	508346	LOCK, WASHER 3/8"	6	
20	505977	PLATE DRIVE	1	
24	EM963610	CAP SCREW, 3/8"NC X 1-1/4" G8	6	REPLACES P/N 492375
26	505984	HUB	1	
28	EM503803	PINS, DOWEL 3/8" X 1"	2	
30	514254	REAR ROLLER SUPPORT, LEFT	1	LEFT SIDE - FRONT/REAR
32	512970	SUPPORT COVER	1	
34	513314	BOLT, 1/4"NC X 1/2" G	8	
36	491689	KEY, COTTER 1/8" X 2"	1	
38	506188	MOTOR, HYDRAULIC	1	
40	505990	BOLT, 1/2"NC X 2-1/2" G	4	
66	505951	FITTING, 8-10-F5OLO-S	2	
70	513349	HOSE	2	
72\$		ZERK, GREASE FITTING	1	CANNOT BE SOLD SEPARATELY
74\$		ZERK, CAP	1	CANNOT BE SOLD SEPARATELY
100	513266	REAR CHASSIS	1	

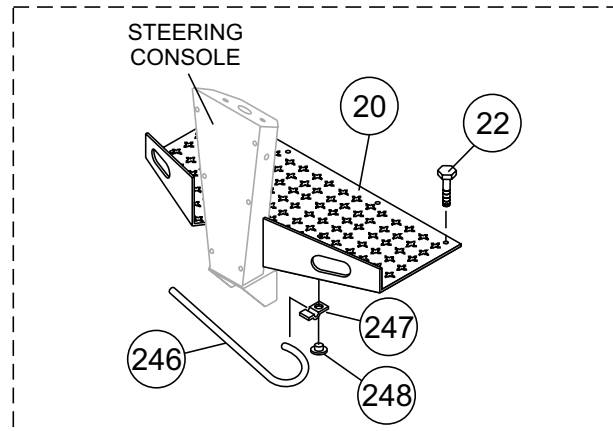
COVERS AND FRAME ARTICULATION LOCK ASSY.



A S/N 240800 AND BELOW



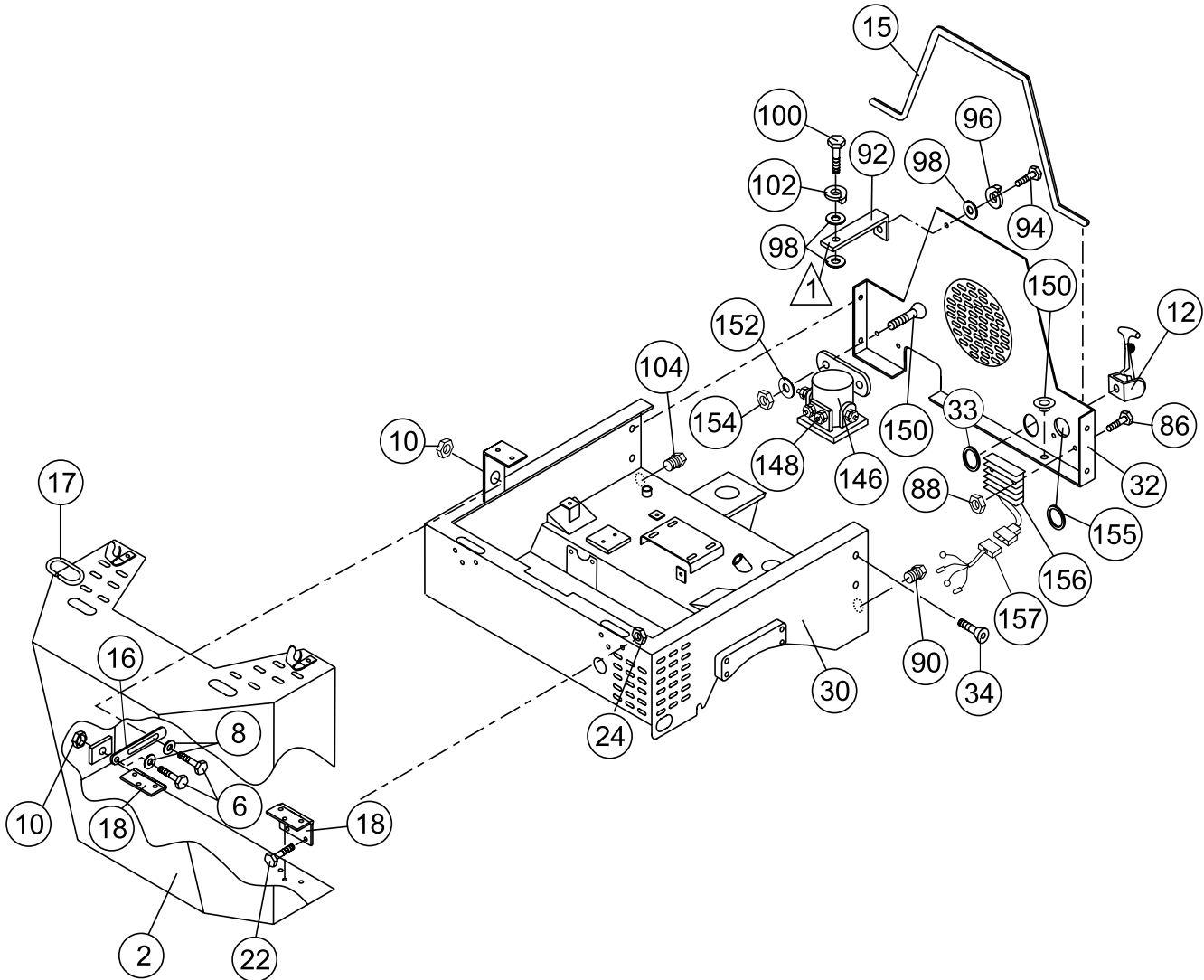
A S/N 240801 AND UP



COVERS AND FRAME ARTICULATION LOCK ASSY.

<u>NO.</u>	<u>PART NO.</u>	<u>PART NAME</u>	<u>QTY.</u>	<u>REMARKS</u>
4	513315	REAR WATER TANK COVER	4	
6	509177	BOLT, 5/16"	1	
20	513317	FLOOR PLATE.....	1.....	S/N 240800 AND BELOW
20	515416	FLOOR PLATE W/ALUMINUM COVER.....	1.....	S/N 240801 AND ABOVE
22	513309	BOLT 5/16" X 3/4"	10.....	S/N 240800 AND BELOW
22	509177	BOLT 5/16" X 5/8"	10.....	S/N 240801 AND ABOVE
24	513318	FLOOR COVER	1.....	S/N 240800 AND BELOW
26	506158	BOLT 5/16" X 3/4"	4.....	S/N 240800 AND BELOW
28	2105164	NUT, NYLON 5/16-18	4.....	S/N 240800 AND BELOW REPLACES P/N 492582
29	512547	ALUMINUM FLOOR COVER.....	1.....	S/N 240800 AND BELOW
32	492363	BOLT 5/16 X 3/4" NC G5	6	
34	EM923343	WASHER, LOCK 5/16"	6.....	REPLACES P/N 492623
136	507888	SEAT	1	
138	505679	NUT, 5/16"	8	
140	2105164	NUT, NYLON 5/16"-18	4.....	REPLACES P/N 492582
161	513471	LOCK CLIP	4	
162	513328	LOCKING ARM	1	
164	492410	BOLT, 5/8" NC X 2-1/2" G5	1	
166	506167	WASHER, PLASTIC 5/8"	2	
167	EM923023	WASHER, FLAT 5/16"	1.....	REPLACES P/N 506109
168	EM969023	NUT, LOCK 5/8"	1.....	REPLACES P/N 492586
170	745	LOCK PIN	1	
238	29057	DOCUMENT BOX	1	
240	492357	SCREW, HHC 1/4"- 20X12	4	
241	504451	WASHER, 1/4"	4	
242	492596	WASHER, 1/4"	8	
243	509177	BOLT, 5/16"NC X 5/8" G5	2	
244	515416	ALUMINUM FLOOR COVER	1	
246	515015	ARM, FLOOR COVER.....	1.....	S/N 240801 AND ABOVE
247	511474	BRACKET, ARM	1.....	S/N 240801 AND ABOVE
248	503723	RIVET AM-54.....	1.....	S/N 240801 AND ABOVE

HOOD AND REAR PANEL ASSY.



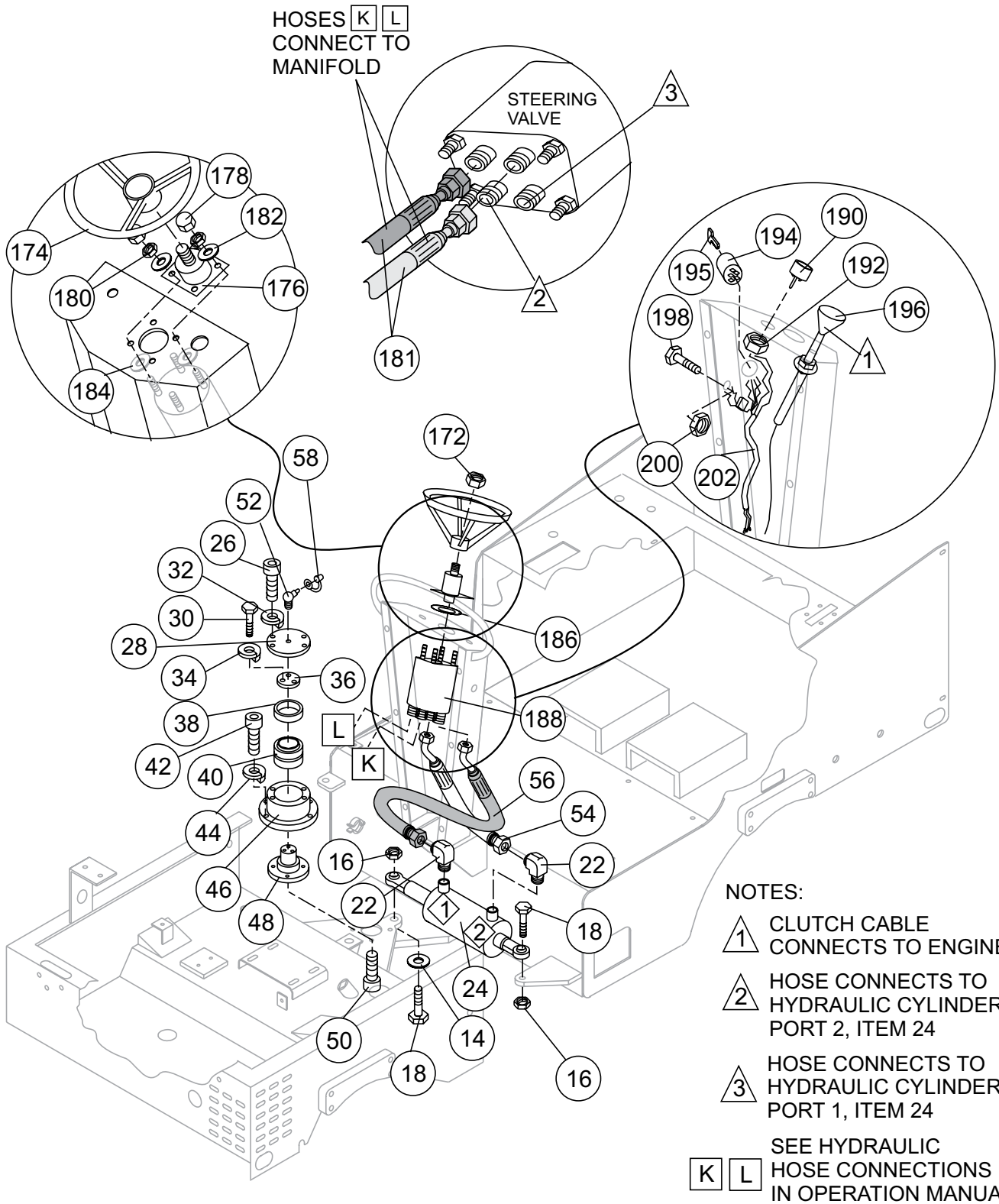
NOTES:

△ 1 SECURE TO ENGINE

HOOD AND REAR PANEL ASSY.

<u>NO.</u>	<u>PART NO.</u>	<u>PART NAME</u>	<u>QTY.</u>	<u>REMARKS</u>
2	513304	HOOD	1	
6	492364	SCREW, HHC 5/16 X 18 X 1"	2	
8	505679	FLAT WASHER 5/16"	2	
10	2105164	NUT, NYLON 5/16-18	2	REPLACES P/N 492582
12	491010	LATCH KIT	2	REPLACES P/N 504744
13	503723	RIVET BRAKE LINING	13	
15	515199	SEAL RUBBER	1	
16	513305	HINGE, SLOTTED	1	
18	514438	LATCH KIT (HOOD)	1	
22	492356	BOLT 1/4 X 3/4"	12	
24	492581	NUT 1/4"	12	
30	513396	FRONT CHASSIS	1	
32	513308	REAR ENGINE COVER	1	
33	13212	GROMMET, 1-1/4" ID	1	
34	513309	BOLT 5/16 X 3/4"	4	
86	513312	BOLT 1/4 X 1"	2	
88	492581	NUT 1/4"	2	
90	490181	SIGHT GLASS	1	
92	513313	SUPPORT, REAR ENGINE COVER	1	
94	492356	BOLT, 1/4 X 3/4"	1	
96	2101402	WASHER, LOCK 1/4"	1	REPLACES P/N 492622
98	492596	FLAT WASHER 1/4"	3	
100	011208025	BOLT, 8 X 25T DCA-85,125,150SSM	1	REPLACES P/N 508342
102	EM923343	WASHER, LOCK 5/16"	1	REPLACES P/N 492623
104	506205	PLUG	1	
146	506273	SOLENOID, STARTER	1	
148	510925	NUT 3/16"	2	
150	513314	BOLT 1/4 X 1/2"	2	
152	492596	FLAT WASHER 1/4"	2	
154	492581	NUT 1/4"	2	
155	506085	GROMMET	1	
156	31620ZG5003	RECTIFIER ASSY., REGULATOR, 20A	1	
157	32105ZJ1800	SUB-WIRE HARNESS ASSY.	1	

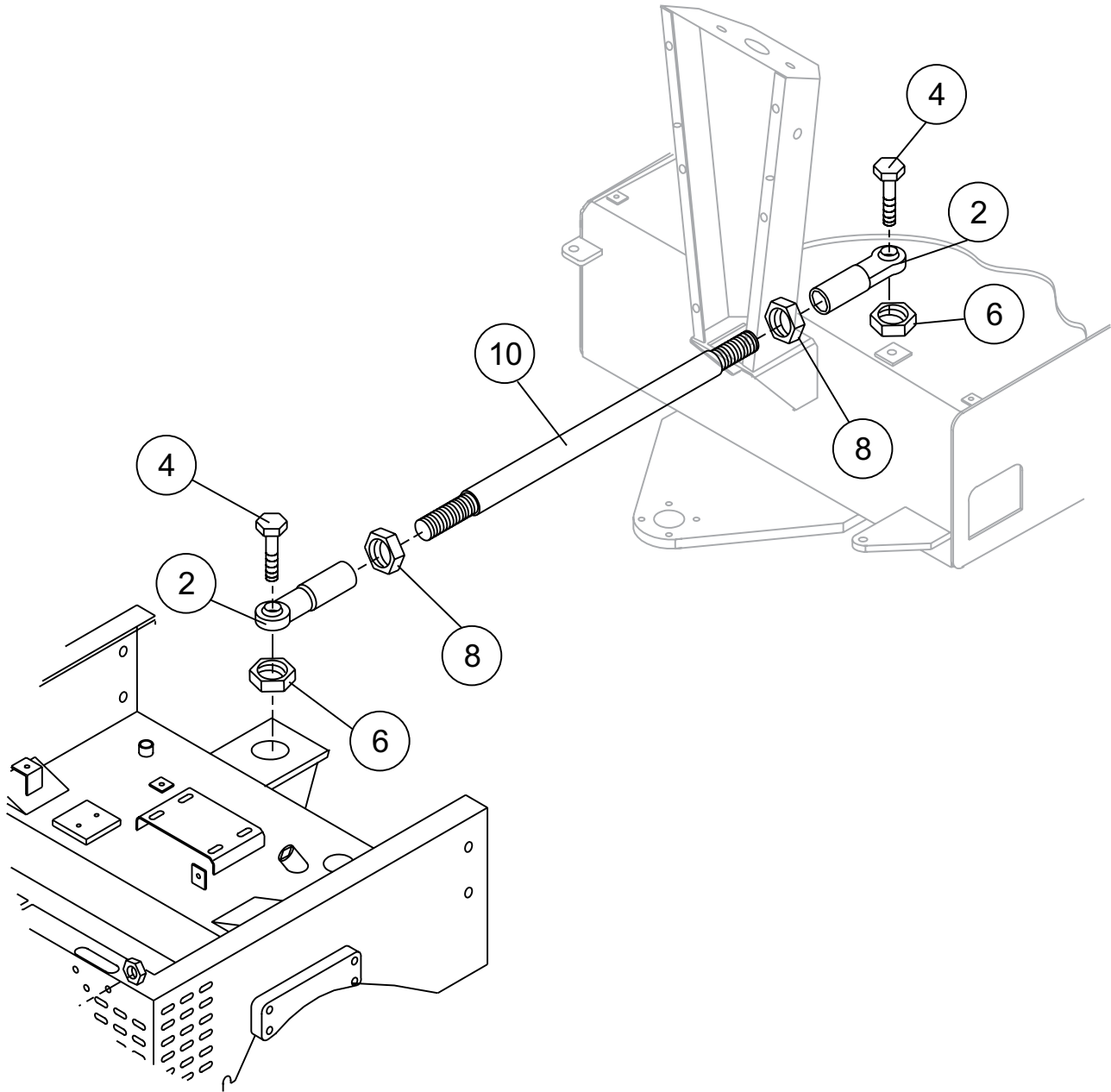
STEERING COLUMN AND HYDRAULIC ARTICULATION ASSY.



STEERING COLUMN AND HYDRAULIC ARTICULATION ASSY.

<u>NO.</u>	<u>PART NO.</u>	<u>PART NAME</u>	<u>QTY.</u>	<u>REMARKS</u>
14	EM923348	WASHER, LOCK 5/8"	2	
16	EM969023	NUT, LOCK 5/8"	2	REPLACES P/N 492586
18	492412	BOLT 5/8" UNC X 3	2	
22	506196	ELBOW, FITTING	2	
24	513297	CYLINDER, STEERING	1	
26	513298	BOLT 1/2" NC X 1" G	4	
28	513299	COVER, ARTICULATING JOINT	1	
30	EM963055	HEX HEAD CAP SCREW 3/8" X 3/4"	3	REPLACES P/N 492373
32	6109180	WASHER, LOCK 1/2" DIAMETER	4	REPLACES P/N 492626
34	0166A	WASHER, LOCK 3/8" DIAMETER	3	REPLACES P/N 492624
36	513300	RETAINER PLATE	1	
38	513301	SPACER	1	
40	506164	BEARING	1	
42	492276	BOLT 1/2"NC X 1-1/2" G	4	
44	6109180	WASHER, LOCK 1/2"	4	REPLACES P/N 492626
46	513302	BASE, ARTICULATING JOINT	1	
48	513303	ARTICULATING JOINT	1	
50	492276	BOLT 1/2"NC X 1-1/2" G	4	
52	491701	ZERK FITTING	1	
54	513350	HOSE, 9	1	
56	513348	HOSE, 16	1	
58	491008	GREASE COVER	1	
172	598156	NUT	1	
174	493128	WHEEL, STEERING	1	
176	507862	STEERING COLUMN	1	
178	506265	NUT 5/16"	4	
180	509143	NUT 5/16"	4	
181	513346	HOSES K AND L	2	
182	508344	WASHER 5/16"	4	
184	508335	BUSHING	4	
186	509190	WASHER 3/4"	1	
188	506186	HYDRAULIC VALVE	1	
190	506222	HOUR METER	1	
192	503119	NUT, LOCK 3/16"	1	
194	506267	SWITCH, STARTER	1	S/N 241001 AND BELOW
194	10958	SWITCH, STARTER	1	S/N 241002 AND ABOVE
195	506267K	KEY, IGNITION	1	
196	506239	CABLE CHOKE	1	
198	503958	BOLT 1/4" X 5/8" G5	1	
200	EM969079	NUT, 1/4"	1	REPLACES P/N 492581
202	513330	HARNESS, WIRING	1	

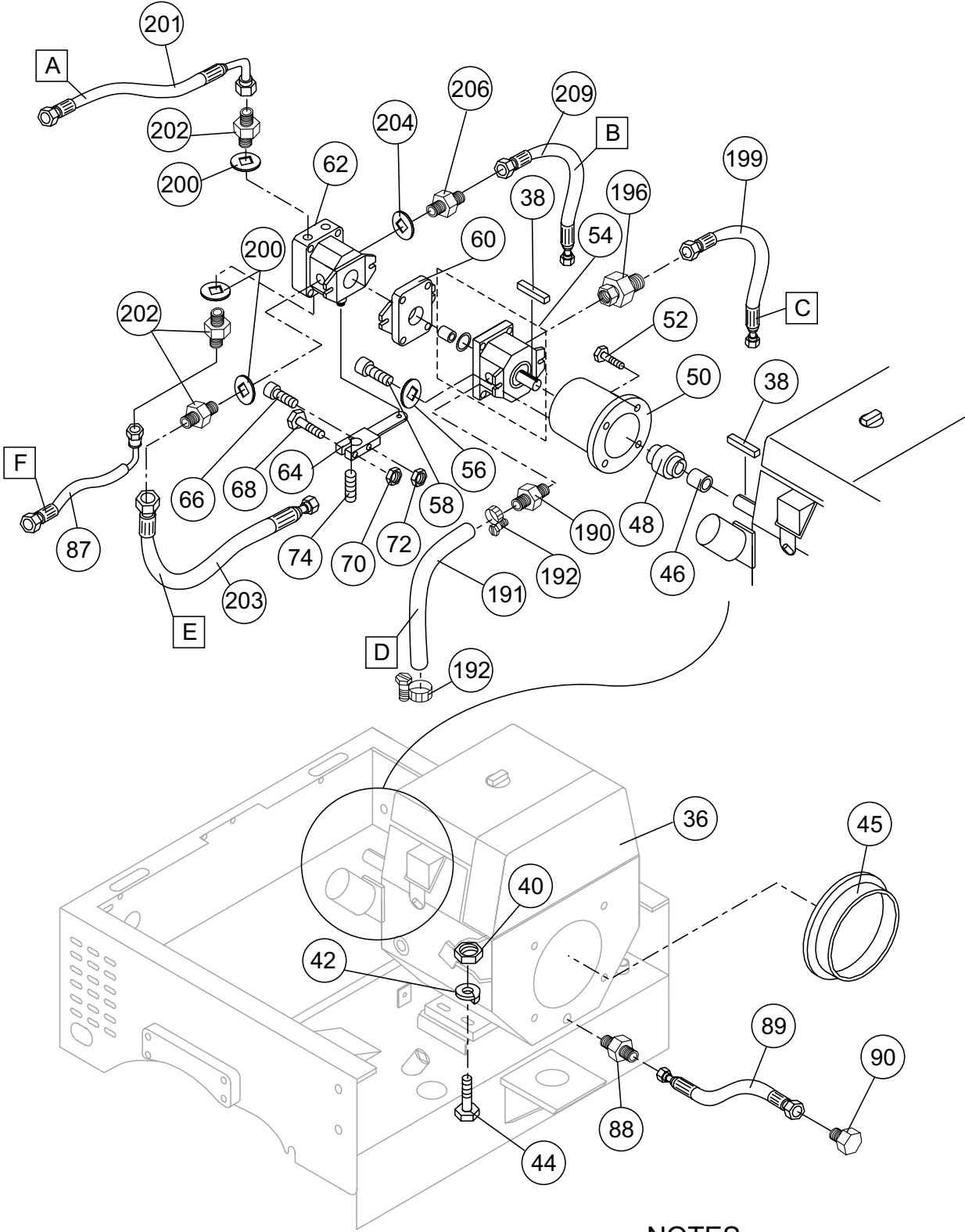
ARTICULATION ARM ASSY.



ARTICULATION ARM ASSY.

<u>NO.</u>	<u>PART NO.</u>	<u>PART NAME</u>	<u>QTY.</u>	<u>REMARKS</u>
2	513294	ROD END	2	
4	514347	BOLT, 3/4" X 2-1/2"	2	
6	EM505069	NUT, 3/4"	2	
8	513295	NUT, 3/4"	2	
10	513296	ROD, DIRECTION STABILIZER	1	

HYDRAULIC DRIVE PUMP ASSY.



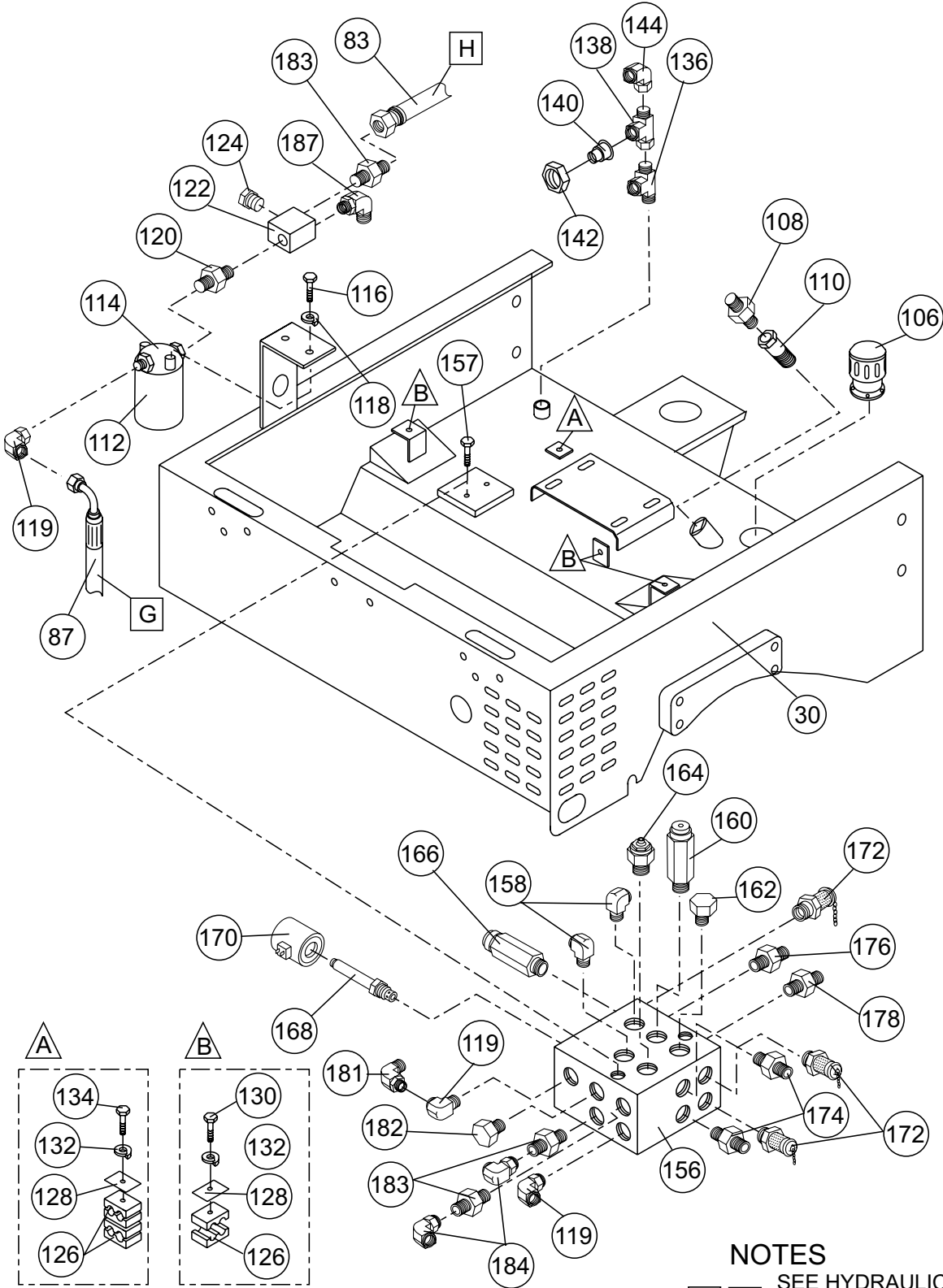
NOTES

- | | | | |
|---|---|---|--|
| A | C | E | SEE HYDRAULIC HOSE CONNECTIONS IN OPERATION MANUAL |
| B | D | F | |

HYDRAULIC DRIVE PUMP ASSY.

<u>NO.</u>	<u>PART NO.</u>	<u>PART NAME</u>	<u>QTY.</u>	<u>REMARKS</u>
36	GX610K1QZB2	ENGINE W/ELECTRIC STARTER	1	
38	500214	KEY SQUARE	1	
40	EM969013	NUT, LOCK 3/8"	4	REPLACES P/N 492583
42	3019092	WASHER, FLAT 3/8"	8	REPLACES P/N 492598
44	EM963059	BOLT, 3/8 X 2"	4	REPLACES P/N 492379
45	513352	RUBBER RING 1/2 X 1/2"	1	
46	506234	SPACER	1	
48	506235	COUPLER	1	
50	506236	ALUMINUM ADAPTER	1	
52	EM963610	CAP SCREW 3/8 NC X 1-1/4" GS	4	REPLACES P/N 492376
54	507845	PUMP, STEERING	1	
56	EM508346	WASHER, 3/8"	2	REPLACES P/N 508346
58	EM175	BOLT, 3/8-16 X 1-1/4" SC HD	2	
60	507860	ADAPTER, STEERING PUMP	1	
62	506187	HYDRAULIC PUMP	1	
64	513310	SHIFT LEVER	1	
66	509144	BOLT 3/16 X 1-3/4"	1	
68	492367	BOLT 5/16 X 1-3/4"	1	
70	2105164	NUT, NYLON 5/16"-18	1	REPLACES P/N 492582
72	503119	NUT, LOCK 3/16"	1	
74	492465	SCREW, ALLEN HEAD 1/4-20 X 3/8"	1	
87	513335	HOSE	2	
88	513618	ADAPTOR	1	
89	513620	HOSE, DRAIN	1	
90	513619	PLUG	1	
190	506217	FITTING, 3/4"	1	
191	513340	HOSE	1	
192	506207	HOSE CLAMP, HS-16	2	
196	506203	FITTING	1	
199	513338	HOSE	1	
200	508427C	COPPER WASHER 21/32"	3	
201	513333	HOSE	1	
202	508343	FITTING	3	
203	513339	HOSE	1	
204	508428C	COPPER WASHER 5/8"	1	
206	506219	FITTING 1/2"	1	
208	506200	FITTING, 3703-08-08	1	
209	513336	HOSE	1	

MANIFOLD AND HYDRAULIC OIL FILTER ASSY.



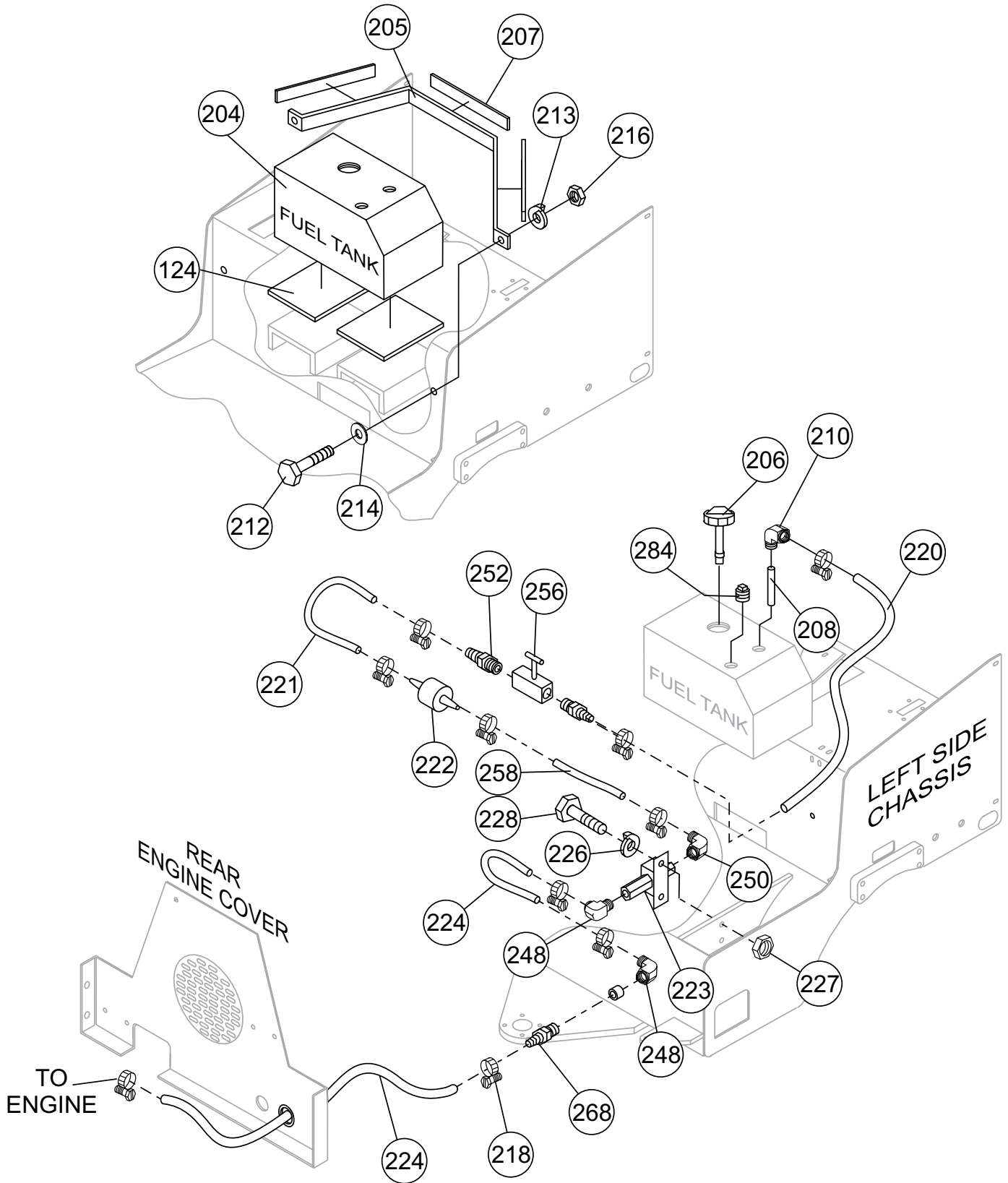
NOTES

G H SEE HYDRAULIC HOSE CONNECTIONS IN OPERATION MANUAL

MANIFOLD AND HYDRAULIC OIL FILTER ASSY.

<u>NO.</u>	<u>PART NO.</u>	<u>PART NAME</u>	<u>QTY.</u>	<u>REMARKS</u>
83	513334	HOSE	1	
87	513335	HOSE	2	
106	507278	HYDRAULIC TANK CAP	1	
108	506218	STRAIGHT FITTING 3/4"	1	
110	506221	FILTER, GAS	1	
112	508667	OIL FILTER	1	
114	508664	FILTER, HEAD	1	
116	492357	SCREW HHC 1/4-20X12	2	
118	2101402	WASHER, LOCK 1/4"	2	REPLACES P/N 492622
119	EM25507	FITTING	3	
120	506204	FITTING	1	
122	506244	BLOCK, FILTER M10	1	
124	508670	VALVE, CHECK	1	
126	505976	CLAMP, 3/4"	5	
128	506185	PLATE, CORNER	4	
130	492367	SCREW, HHC 5/16"-18X1-3/4"	3	
132	EM923343	WASHER, LOCK 5/16"	4	REPLACES P/N 492623
134	492371	BOLT, LOCK 5/16"	1	
136	506201	FITTING, TEE	1	
138	506202	FITTING	2	
140	506206	FITTING	1	
142	508472	FITTING	1	
144	506195	FITTING	1	
156	505974	MANIFOLD	1	
157	508814	BOLT 5/16"X3-1/4"	2	
158	506192	FITTING	2	
160	507774	VALVE RELIEF, 500 PSI	1	
162	507772	PLUG	1	
164	506247	VALVE, NEEDLE	1	
166	506246	VALVE, RELIEF, 2000 PSI	1	
168	506245	VALVE, SOLENOID	1	
170	507885	12 VOLT COIL SOLENOID	1	
172	506182	COUPLING PSI TEST	3	
174	506190	FITTING	2	
176	511808	ADAPTER, STRAIGHT	2	
178	506190	FITTING	2	
181	506195	FITTING	1	
182	506205	PLUG	1	
183	506193	FITTING	4	
184	506195	FITTING	2	

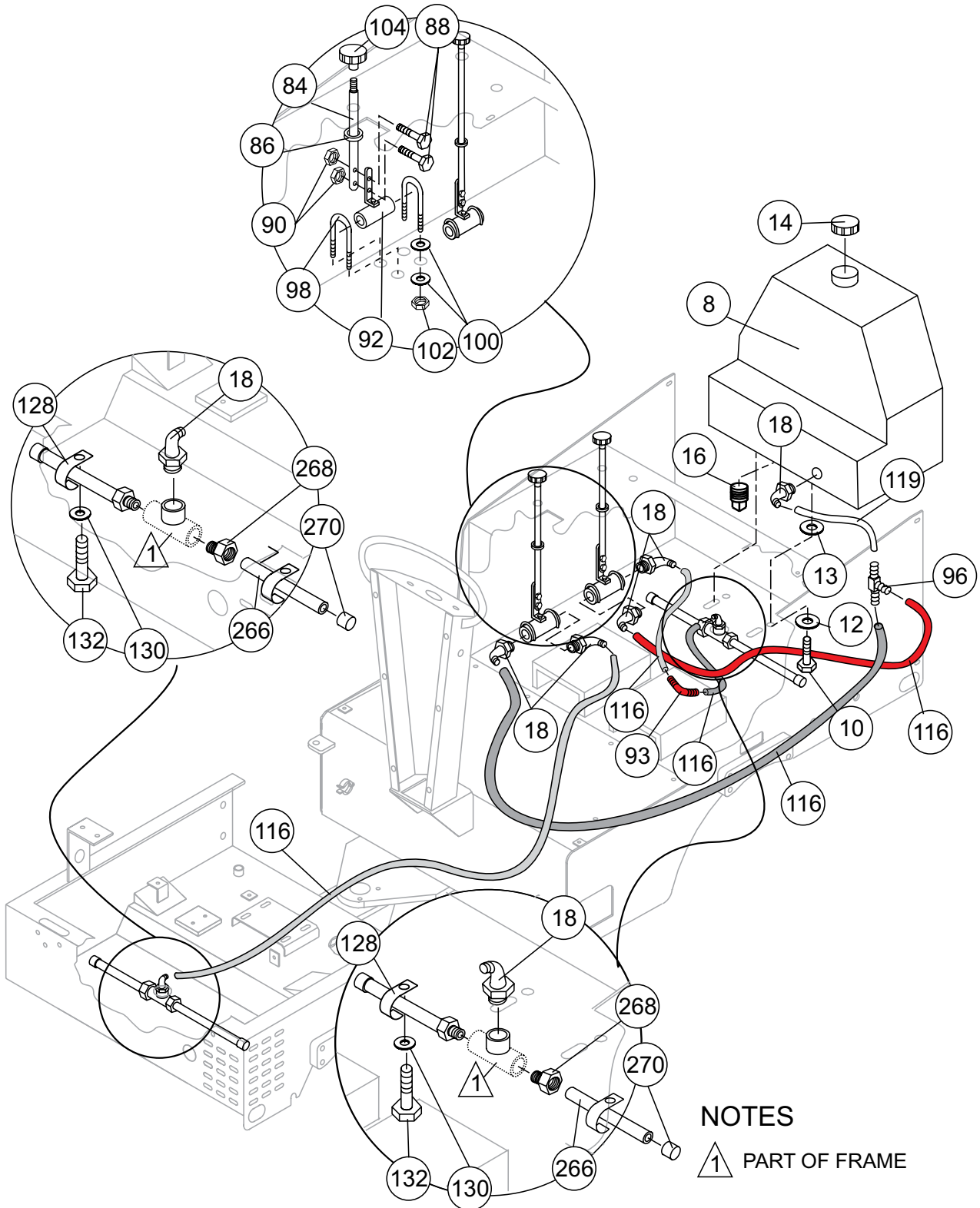
FUEL TANK ASSY.



FUEL TANK ASSY.

<u>NO.</u>	<u>PART NO.</u>	<u>PART NAME</u>	<u>QTY.</u>	<u>REMARKS</u>
124	508302	PAD, RUBBER TANK	2	
204	513329	FUEL TANK	1	
205	514467	BRACKET, FUEL TANK SUPPORT	1	
206	34507	CAP, FUEL W/GAUGE	1	
207	514340	PAD, RUBBER BRACKET 4X36X10 MM	1.7	
208	EM505594	FLEX TUBE 5/16"	1	
210	505521	ADAPTER, ELBOW	1	
212	492309	BOLT, 5/16NC X 1" G5	2	
213	492623	WASHER, LOCK 5/16"	2	
214	3019092	WASHER, FLAT 5/16"	2	
216	492553	NUT, HEX 5/16"	2	
218	506208	CLAMP HS-4	8	
220	514536	HOSE 4FLH 5/16"	.85	
221	EM20427	HOSE 1/4"	.07	
222	352431090	FUEL, FILTER.....	1.....	REPLACES P/N EM20763
223	40177	FUEL PUMP	1	
224	EM20427	HOSE 1/4"	.19	
226	492622	WASHER, LOCK 1/4"	2	
227	492561	NUT, HEX 1/4"	2	
228	492357	BOLT, 1/4"NC X 1" G5	2	
230	404976	CLAMP 3/4"	1	
248	EM20426	ADAPTOR, ELBOW	2	
250	514559	ADAPTOR, ELBOW	1	
252	512731	ADAPTOR	2	
256	512722	FUEL, SHUT-OFF VALVE	1	
258	EM20427	HOSE 1/4"	.07	
268	511778	ADAPTER	1	
284	491210	PLUG, TANK 1/4"	1	

WATER TANK ASSY.



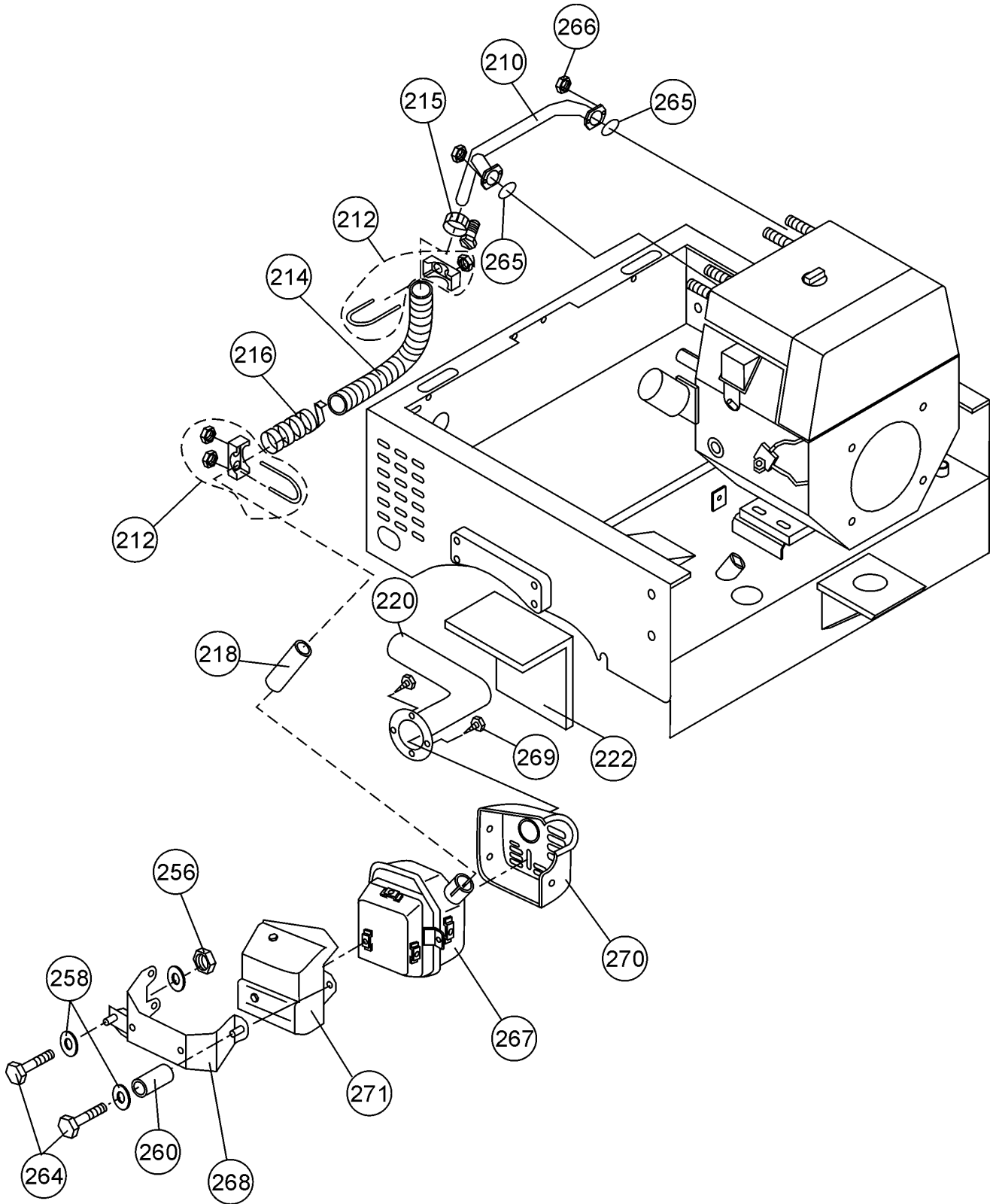
NOTES

△ 1 PART OF FRAME

WATER TANK ASSY.

<u>NO.</u>	<u>PART NO.</u>	<u>PART NAME</u>	<u>QTY.</u>	<u>REMARKS</u>
8	513316	WATER TANK	1	
10	EM963055	BOLT, 3/8"X3/4".....	1	REPLACES P/N 492373
12	3019092	WASHER, FLAT 3/8" SPECIAL.....	1	REPLACES P/N 492598
13	0166A	WASHER, LOCK 3/8".....	1	REPLACES P/N 492624
14	509249	WATER, TANK CAP	1	
16	506094	PLUG 1/2" NPT GALVANIZED	1	
18	506071	ELBOW PVC	7	
84	513321	WATER, VALVE EXTENSION	1	
88	492358	BOLT, 1/4"NC X 1-1/4" G5	4	
90	492581	NUT, 1/4"	4	
92	513322	VALVE, BALL	2	
93	813351	ELBOW, 90G 1/2" NYLON	1	
94	513379	"T" ADAPTER	1	
98	506086	U-BOLT, 3/8"	4	
100	3019092	WASHER, FLAT 3/8".....	16	REPLACES P/N 492598
102	508435	LOCK NUT	8	
104	503015	KNOB, HANDLE ADJ.	2	
116	504163	HOSE, 1/2"	1	
118	504163	HOSE, 1/2"	1	
119	504163	HOSE, 1/2"	1	
120	504163	HOSE, 1/2"	1	
122	504163	HOSE, 1/2"	1	
128	506084	CLAMP	4	
130	505679	NUT, 5/16"	4	
132	505401	SCREW, HHC 5/16"-18X1/2"	4	
266	506072	PVC TUBE	4	
268	506074	MALE ADAPTER	4	
270	508610	CAP	4	

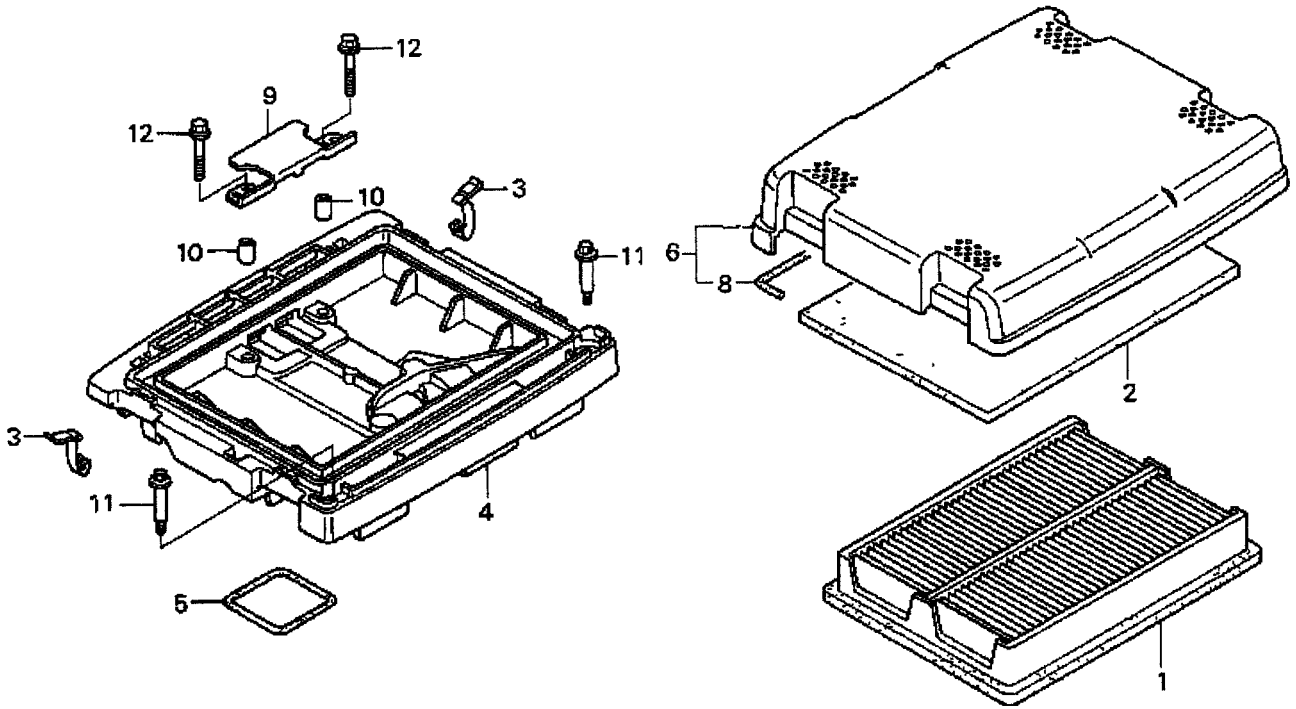
MUFFLER ASSY.



MUFFLER ASSY.

<u>NO.</u>	<u>PART NO.</u>	<u>PART NAME</u>	<u>QTY.</u>	<u>REMARKS</u>
210	513449	MUFFLER PIPE (MODIFIED)	1	
212	506257	U-BOLT ASSY. 1-1/2"	2	
214	514711	TUBE 1.25" FLEX	1	
215	506207	HOSE CLAMP HS-16	2	
216	510718	HEAT WRAP 2"X1/16"	1	
218	513447	EXTENSION, MUFFLER PIPE	1	
220	513444	ELBOW, EXHAUST FLANGED	1	
222	513341	DEFLECTOR, EXHAUST	1	
256	492553	NUT, HEX 5/16" NC	2	
258	505679	FLAT, WASHER 5/16"	4	
260	513520	MUFFLER, BASE EXTENSION	1	
262	492369	SCREW, HHC 5/16"-18X2-1/4"	1	
264	503952	BOLT, 5/16"X4"	1	
265	18333ZJ1000	GASKET, MUFFLER	2	
266	9405008000	NUT	4	
267	18310ZJ1-800	MUFFLER	1	
268	18338ZJ1801	STAY, MUFFLER.....	1	REPLACES P/N 18338ZJ1800
269	90009ZJ1801	SCREW, SPECIAL	4	
270	18321ZJ1801	PROTECTOR, MUFFLER.....	1	REPLACES P/N 18321ZJ1800
271	18325ZJ1801	PROTECTOR, RR. MUFFLER.....	1	REPLACES P/N 18325ZJ1800

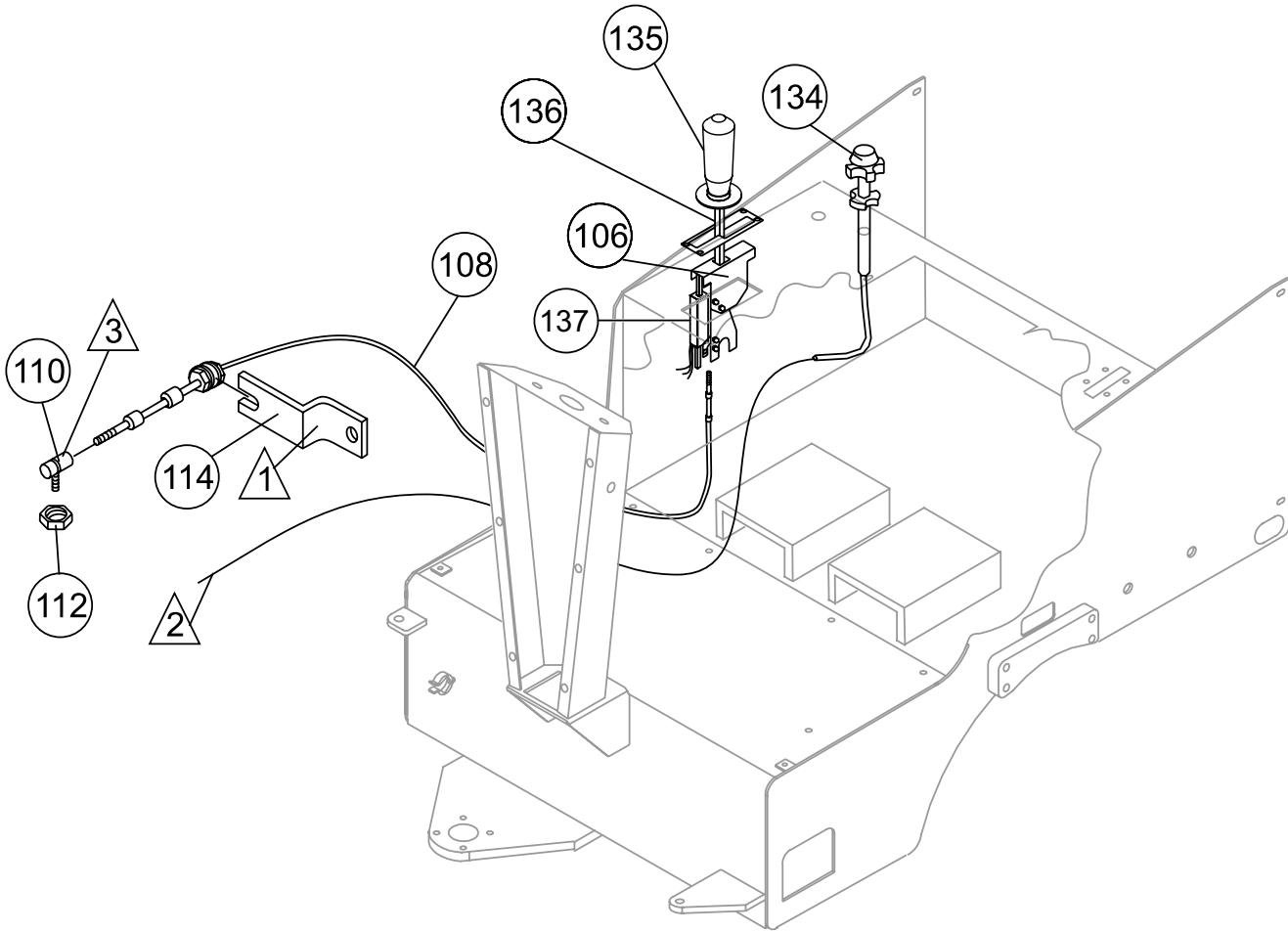
AIR CLEANER ASSY.



AIR CLEANER ASSY.

<u>NO.</u>	<u>PART NO.</u>	<u>PART NAME</u>	<u>QTY.</u>	<u>REMARKS</u>
1	17210ZJ1842	ELEMENT, AIR CLEANER	1	
2	17218ZJ1840	FILTER (OUTER)	1	
3	17219ZJ1840	CLIP, AIR CLEANER	4	
4	17220ZJ1840	HOUSING, AIR CLEANER	1	
5	17229ZJ1840	SEAL, AIR CLEANER HOUSING	1	
6	17230ZJ1840	COVER ASSEMBLY, AIR CLEANER.....	1.....	INCLUDES ITEM W/#
8#	17233ZJ1840	SEAL, AIR CLEANER COVER	1	
9	17234ZJ1840	PLATE, AIR CLEANER SETTING	1	
10	17238ZJ4830	COLLAR A, AIR CLEANER	2	
11	90003ZJ1840	BOLT, SPECIAL 5MM	2	
12	957010602800	BOLT, FLANGE 6X28	2	

THROTTLE ASSY.



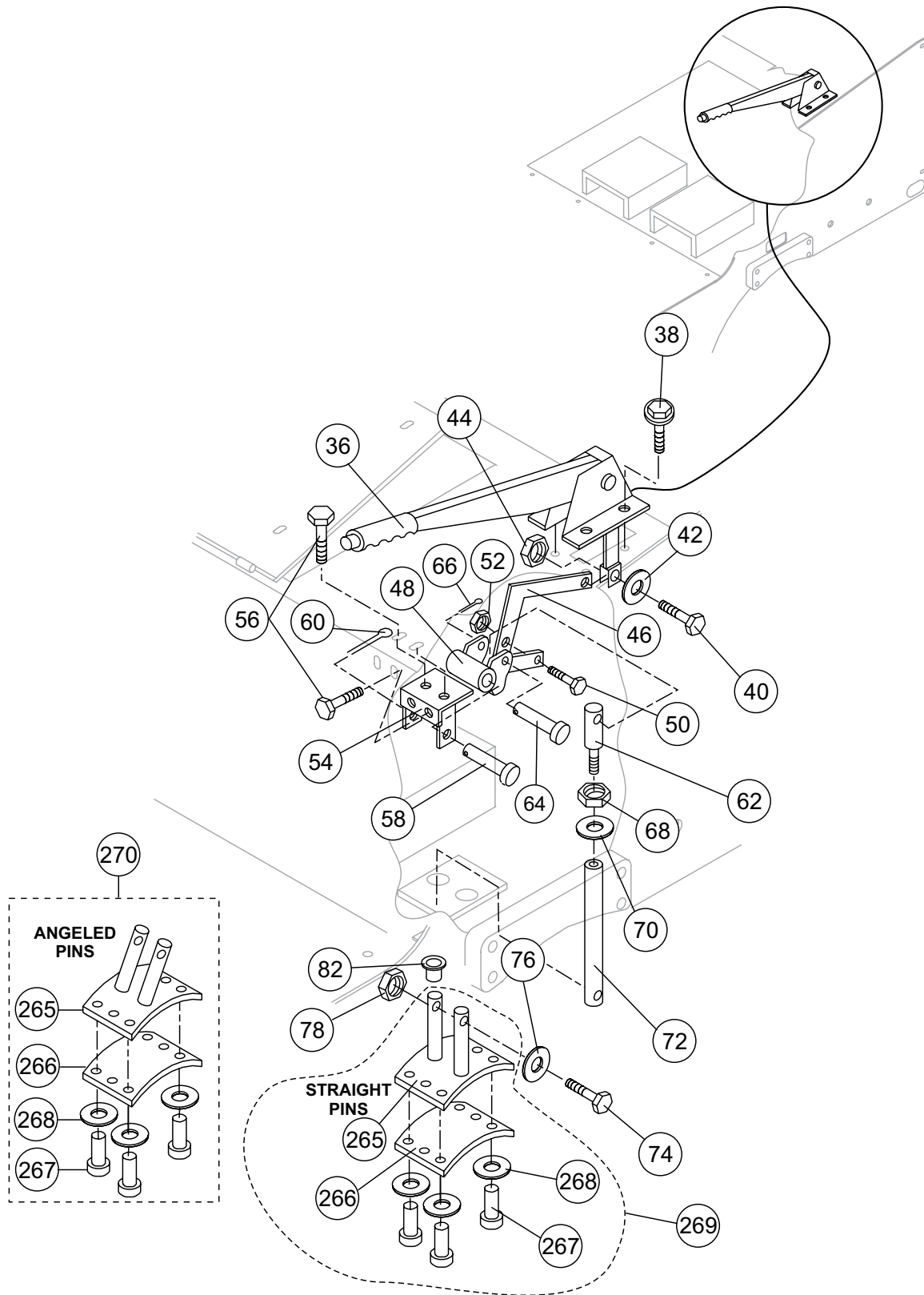
NOTES:

- 1** ITEM 114 BOLTS TO ENGINE
- 2** THROTTLE CABLE CONNECTS TO ENGINE
- 3** ITEM 110 CONNECTS TO ITEM 64, SEE HYDRAULIC DRIVE PUMP ASSY.

THROTTLE ASSY.

<u>NO.</u>	<u>PART NO.</u>	<u>PART NAME</u>	<u>QTY.</u>	<u>REMARKS</u>
106	513323	TRAVEL LEVER (FORWARD/REVERSE)	1	
108	513324	CABLE, FORWARD/REVERSE	1	
110	514742	JOINT BALL	1	
112	508451	LOCK, NUT 1/4"-28 NF	1	
114	513325	ADVANCE CABLE SUPPORT	1	
134	510229	CABLE THROTTLE ASSEMBLY	1	
135	DY160701	KNOB HANDLE	1	
135	G201	HANDLE, SWITCH WITHIN	1	
136	DA1252	LEVER HANDLE	1	
137	509350SW	NEUTRAL SAFETY SWITCH	1	

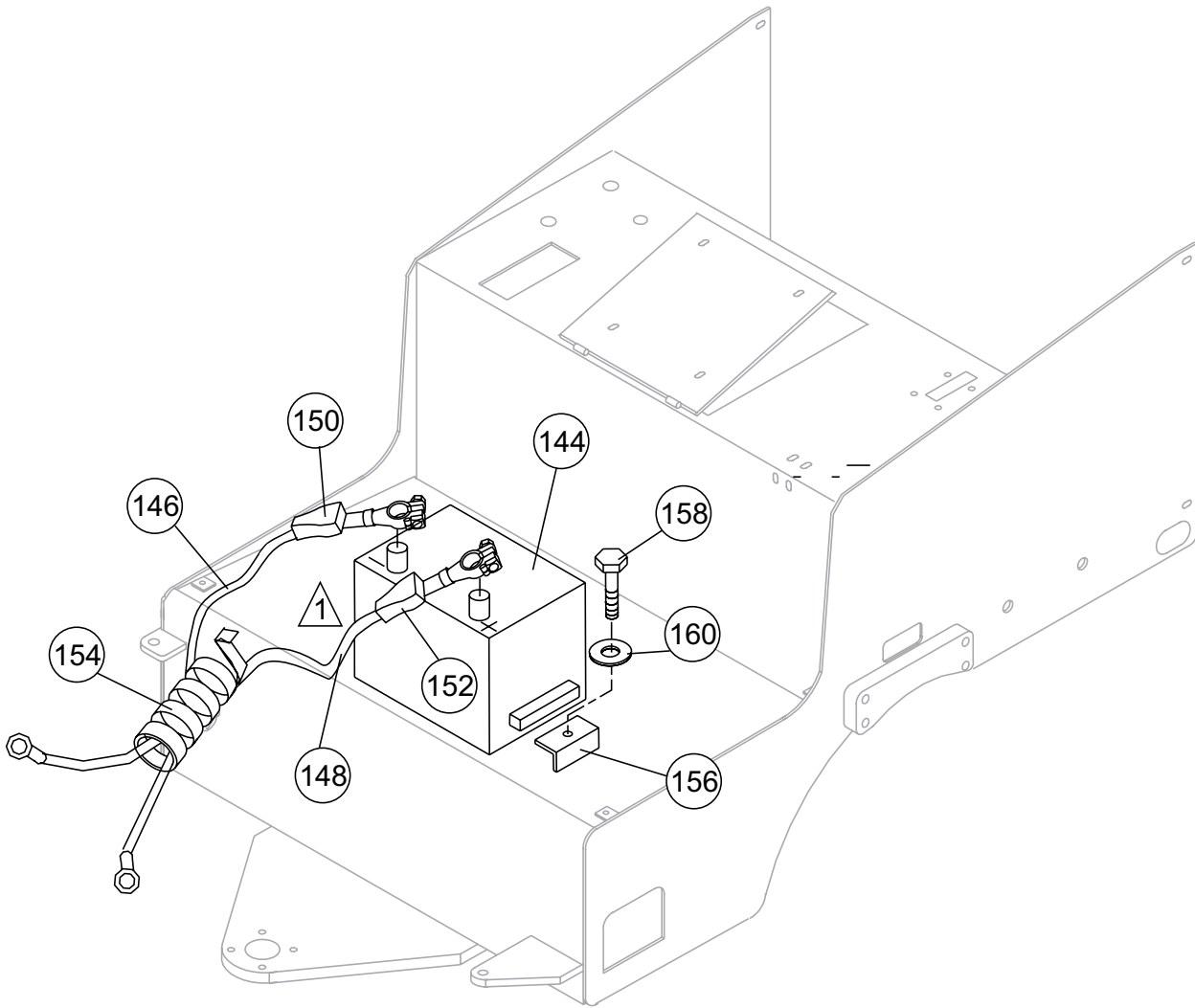
BRAKE CONTROL ASSY.



BRAKE CONTROL ASSY.

<u>NO.</u>	<u>PART NO.</u>	<u>PART NAME</u>	<u>QTY.</u>	<u>REMARKS</u>
36	506046	LEVER, BRAKE	1	
38	506158	BOLT, 5/16"NC X 3/4" G5	4	
40	492365	BOLT, 5/16"NC X 1-1/4" G5	1	
42	EM923023	WASHER, FLAT 5/16"	2.....	REPLACES P/N 492597
44	2105164	NUT, NYLON 5/16"-18	1.....	REPLACES P/N 492582
46	506057	BRAKE, LINK	1	
48	505999	BELL, CRANK	1	
50	EM963097	BOLT, 3/8"NC X 1-1/2" G5	1.....	REPLACES P/N 492313
52	EM969013	NUT, LOCK 3/8"	1.....	REPLACES P/N 492583
56	508674	BOLT, 5/16"NC X 1" G5	4	
58	506042	PIN, CLEVIS	1	
66	2219	KEY, COTTER	1	
68	492570	NUT, HEX 5/8"	1	
70	EM923348	WASHER, LOCK 5/8"	1.....	REPLACES P/N 492627
72	508449	BRAKE ROD	1	
74	508619	BOLT, HEX HEAD 3/8"NC X4"	1	
76	3019092	WASHER, FLAT 3/8"	2.....	REPLACES P/N 492598
78	EM969013	NUT, LOCK 3/8"	1.....	REPLACES P/N 492583
82	506001	BUSHING, PLASTIC	1	
265@%	513320	SUPPORT, BRAKE SHOE	1	
266@%	505997	BRAKE PAD	1	
267@%	508566	RIVET	6	
268@%	508386	WASHER, 3/16"	6	
269	505994	BRAKE PAD ASSEMBLY, STRAIGHT PINS.....	1.....	INCLUDES ITEMS W/@
270	513193	BRAKE PAD ASSEMBLY, ANGLED PINS	1.....	INCLUDES ITEMS W/%

BATTERY ASSY.



NOTES:

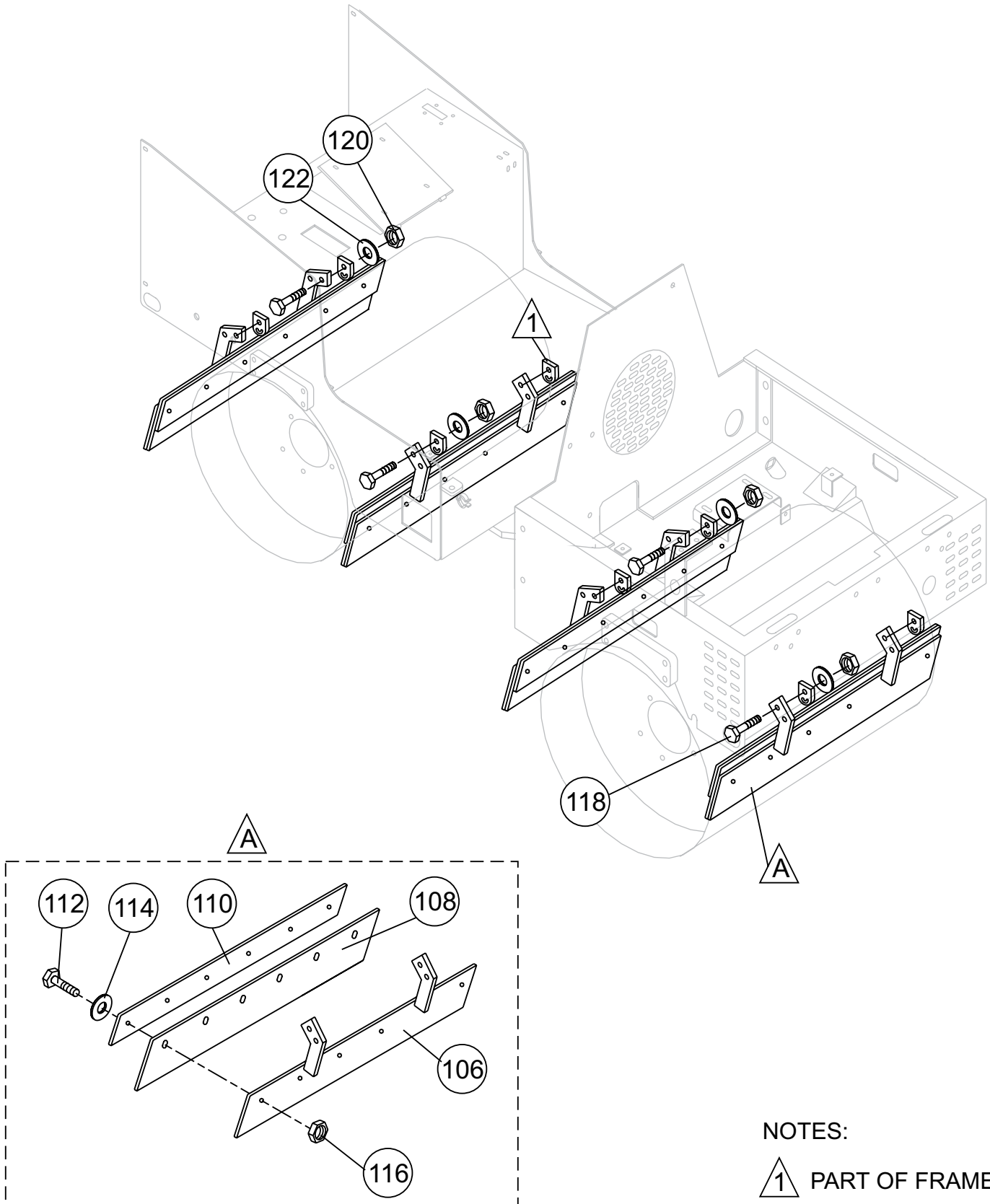


REMOVE ITEMS 20
AND 29 ON COVERS AND FRAME
ARTICULATION LOCK ASSY.
FOR BATTERY ACCESS

BATTERY ASSY.

<u>NO.</u>	<u>PART NO.</u>	<u>PART NAME</u>	<u>QTY.</u>	<u>REMARKS</u>
144	514391	BATTERY, 12V	1	
146	513446	CABLE, (-) BATTERY	1	
148	513445	CABLE, (+) BATTERY	1	
150	505624	BATTERY TERMINAL COVER	1.....	BLACK
152	506266	BATTERY TERMINAL COVER	1.....	RED
154	506152	WRAP	1	
156	506151	CLAMP, BATTERY	1	
158	TBD	HEX HEAD SCREW 3/8" X 2" NC G5	1	
160	3019092	WASHER, FLAT 3/8"	1.....	REPLACES P/N 492598

SCRAPER ASSY.



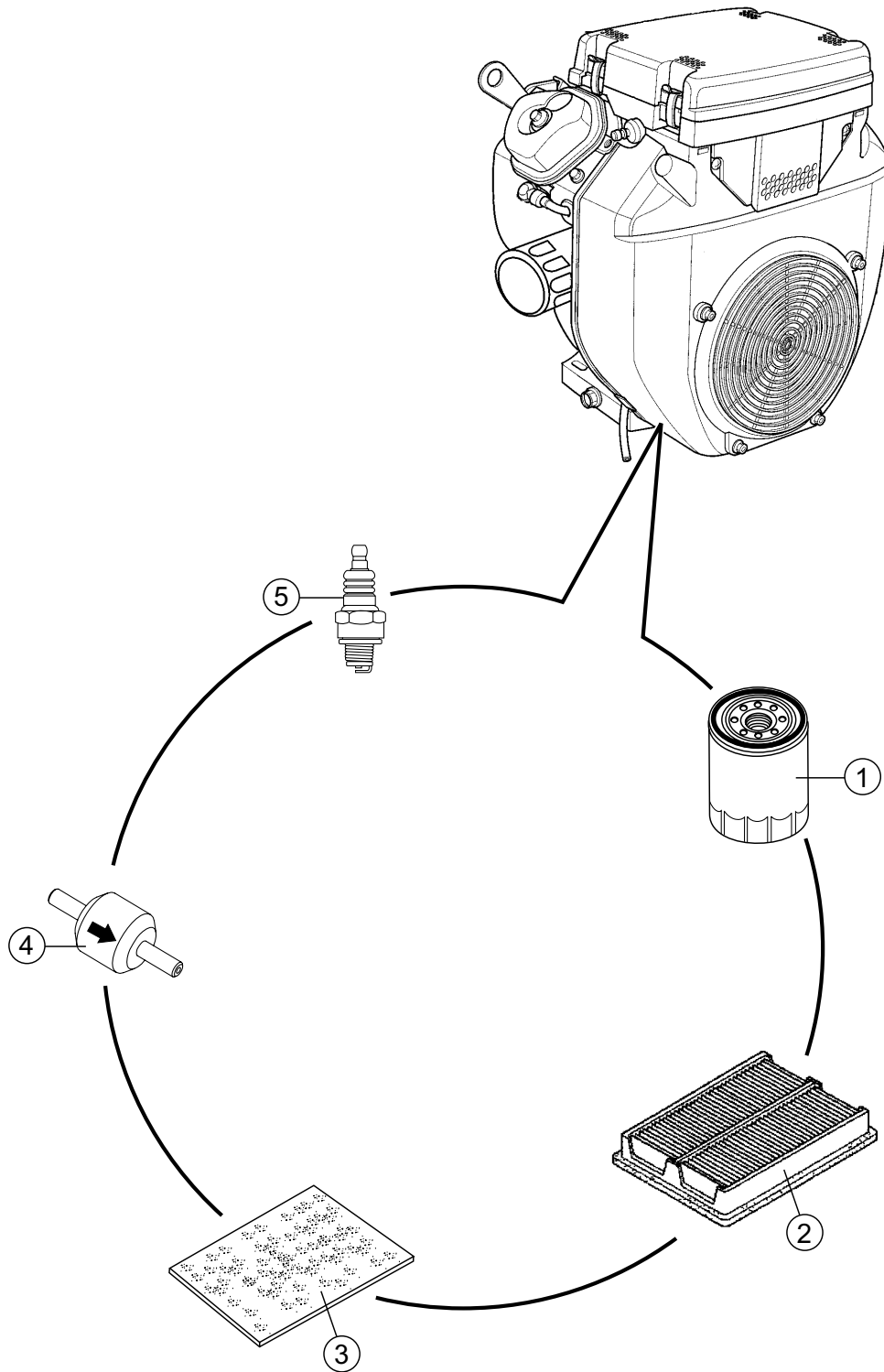
NOTES:

1 PART OF FRAME

SCRAPER ASSY.

<u>NO.</u>	<u>PART NO.</u>	<u>PART NAME</u>	<u>QTY.</u>	<u>REMARKS</u>
106	513290	SCRAPER, SUPPORT	4	
108	508433	SCRAPER, RUBBER	4	
110	508434	PLATE, BACKING	4	
112	EM963057	BOLT, 3/8"	12.....	REPLACES P/N 492313
114	3019092	WASHER, FLAT 3/8"	12.....	REPLACES P/N 492598
116	EM969013	NUT, LOCK 3/8"	12.....	REPLACES P/N 492583
118	EM963692	BOLT, 1/2"UNC X 1-1/2"	8.....	REPLACES P/N 492384
120	492584	NUT, LOCK 1/2"NC	8	
122	621	WASHER, 1/2" SPECIAL	8	

ENGINE SERVICE PARTS ASSY.



ENGINE SERVICE PARTS ASSY.

<u>NO.</u>	<u>PART NO.</u>	<u>PART NAME</u>	<u>QTY.</u>	<u>REMARKS</u>
1	15410ZJ4999AH	FILTER, OIL	1	
2	17210ZJ1842	ELEMENT, AIR CLEANER	1	
3	17218ZJ1840	FILTER (OUTER) AIR CLEANER	1	
4	16910ZE8015	FUEL FILTER	1	
5	9807956846	SPARK PLUG	1	

PARTS MANUAL

HERE'S HOW TO GET HELP

PLEASE HAVE THE MODEL AND SERIAL
NUMBER ON-HAND WHEN CALLING

UNITED STATES

Multiquip Inc.

(310) 537- 3700
6141 Katella Avenue Suite 200
Cypress, CA 90630
E-MAIL: mq@multiquip.com
WEBSITE: www.multiquip.com

CANADA

Multiquip

(450) 625-2244
4110 Industriel Boul.
Laval, Quebec, Canada H7L 6V3
E-MAIL: infocanada@multiquip.com

UNITED KINGDOM

Multiquip (UK) Limited Head Office

0161 339 2223
Unit 2, Northpoint Industrial Estate,
Globe Lane,
Dukinfield, Cheshire SK16 4UJ
E-MAIL: sales@multiquip.co.uk

© COPYRIGHT 2021, MULTIQUIP INC.

Multiquip Inc, the MQ logo are registered trademarks of Multiquip Inc. and may not be used, reproduced, or altered without written permission. All other trademarks are the property of their respective owners and used with permission.

This manual MUST accompany the equipment at all times. This manual is considered a permanent part of the equipment and should remain with the unit if resold.

The information and specifications included in this publication were in effect at the time of approval for printing. Illustrations, descriptions, references and technical data contained in this manual are for guidance only and may not be considered as binding. Multiquip Inc. reserves the right to discontinue or change specifications, design or the information published in this publication at any time without notice and without incurring any obligations.

