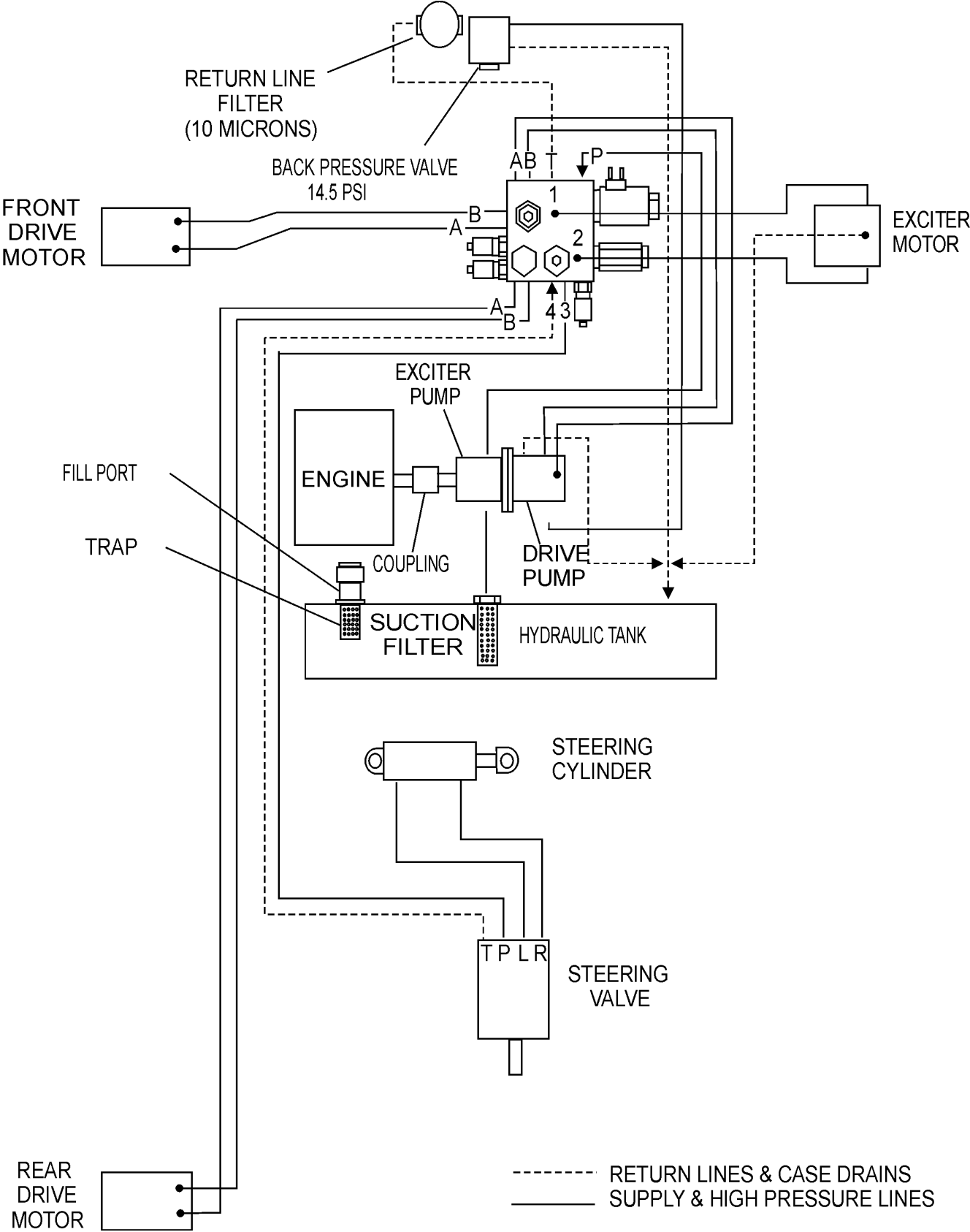


MANIFOLD TEST PORTS



HYDRAULIC SYSTEM DIAGRAM

