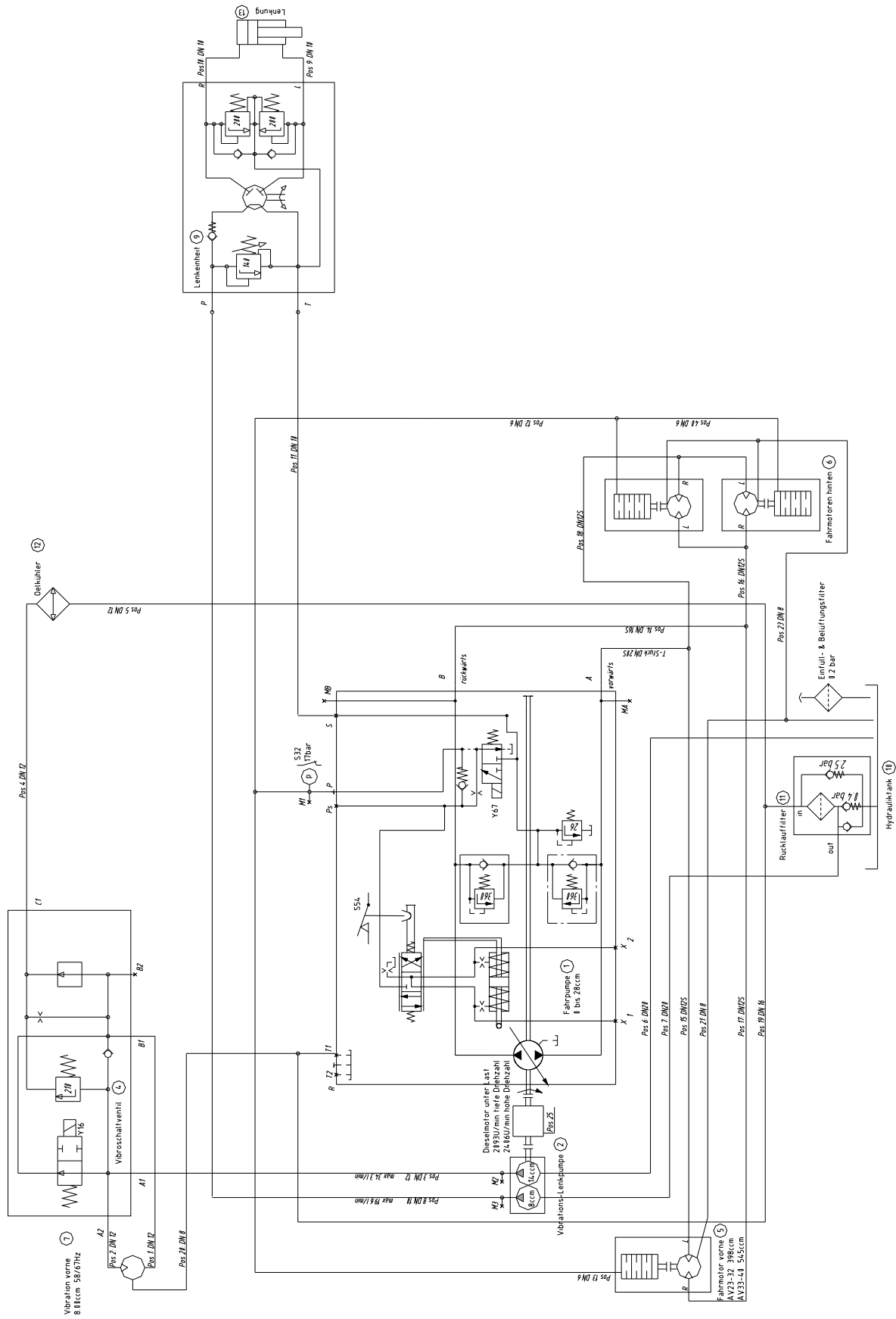


# Hydraulic diagram AR23K - AR40K



## AR23K - AR40K hydraulics diagram legend

---

Element	Description
1	Drive pump
2	Vibration steering pump
3	Feed pump
4	Vibro switch valve
5	Front drive motor
6	Rear drive motor
7	Vibration front
9	Steering unit
10	Hydraulic tank
11	Return filter
12	Oil cooler
13	Steering



## AR23K - AR40K hydraulics diagram legend

---

Element	Description
1	Drive pump
2	Vibration steering pump
3	Feed pump
4	Vibro switch valve
5	Front drive motor
6	Rear drive motor
7	Vibration front
8	Vibration rear
9	Steering unit
10	Hydraulic tank
11	Return filter
12	Oil cooler
13	Steering
15	Flow divider
16	Flow regulator valve
17	Pressure relief valve
18	Control block
19	Edge cutter cylinder