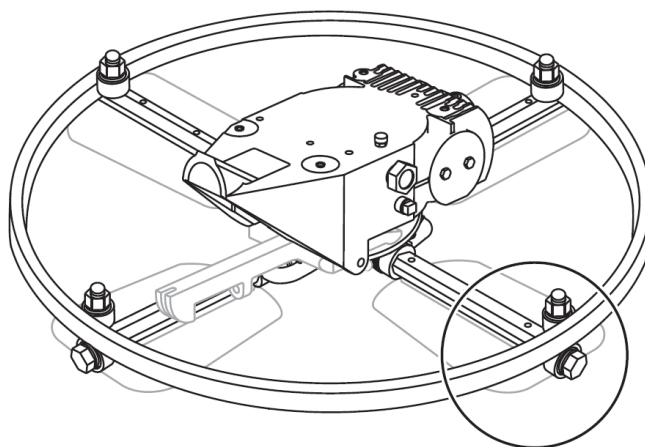
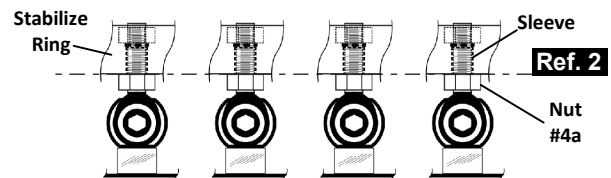
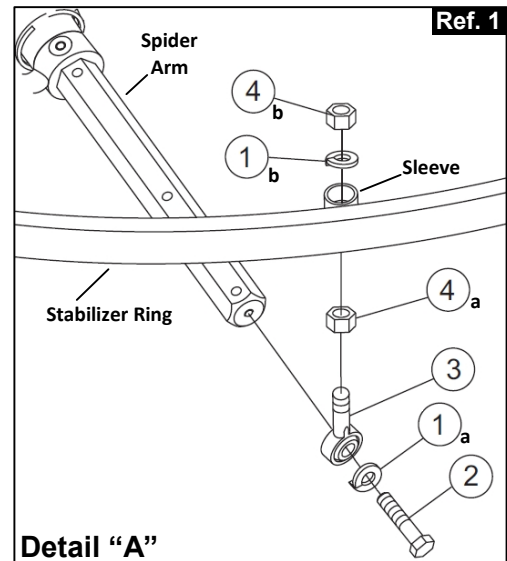


ROD ENDS AND STABILIZER RING INSTALLATION

INSTRUCTIONS

1. **Ref.1:** Secure the Rod Ends #3 onto the ends of the Spider Arms with Spring Washers #1a and Bolts #2, torque to 30 ft-lbs.
 2. **Ref.1:** Thread the Nuts items #4a onto all the Rod Ends approx. 3/4 of the way down.
 3. **Ref.1:** Slip the Stabilizer Ring Sleeves onto all four Rod Ends.
 4. **Ref.1:** Adjust the Nuts #4a up or down so there is enough room/threads above the Sleeves on the Stabilizer Ring for installing the Washers #1b & Nuts #4b in the next step.
 5. **Ref.2:** Adjust the Nuts #4a as needed to even out the Stabilizer Ring ensuring the Stabilizer Ring is being supported equally by all four Nuts avoiding pre tension on the Rod Ends.
 6. **Ref.1:** Install the four Washers #1b plus Nuts #4b, torque to 7 ft-lbs.
- **Note:** Regular cleaning is essential, particularly the rod ends & spider assy. Grease the arms until grease is visible out the end of the bushings after each use.



Detail "A"