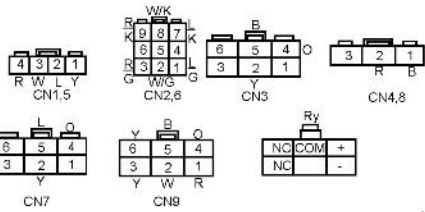


BLW-400SSW —GENERATOR WIRING DIAGRAM

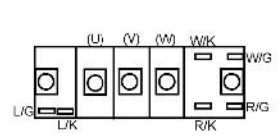
- SYMBOL PART NAME**
 + - OUTPUT TERMINAL, WELDING
 L1, L2 REACTOR
 SW 1 CURRENT RANGE SELECTOR
 SCR1, 2 THYRISTORS
 Re1, 2 RECTIFIERS
 SC1, 2 CONTROL UNIT, THYRISTOR
 VR 1, 2 CURRENT CONTROL

COMBINATION TERMINAL

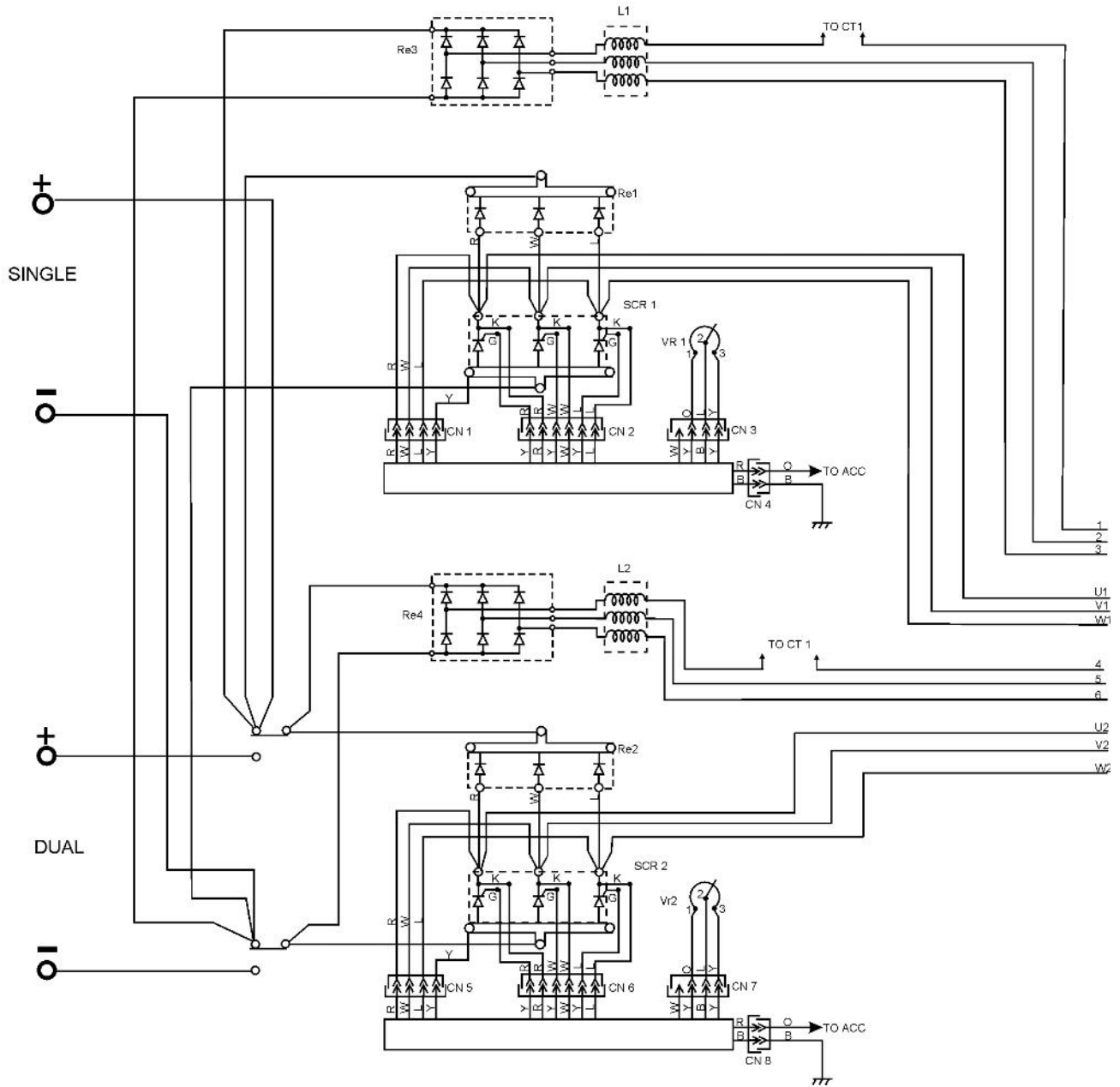
19	30	50	ACC	J	K
----	----	----	-----	---	---



CONNECTOR
(VIEW FROM INSERTING WIRE SIDE)

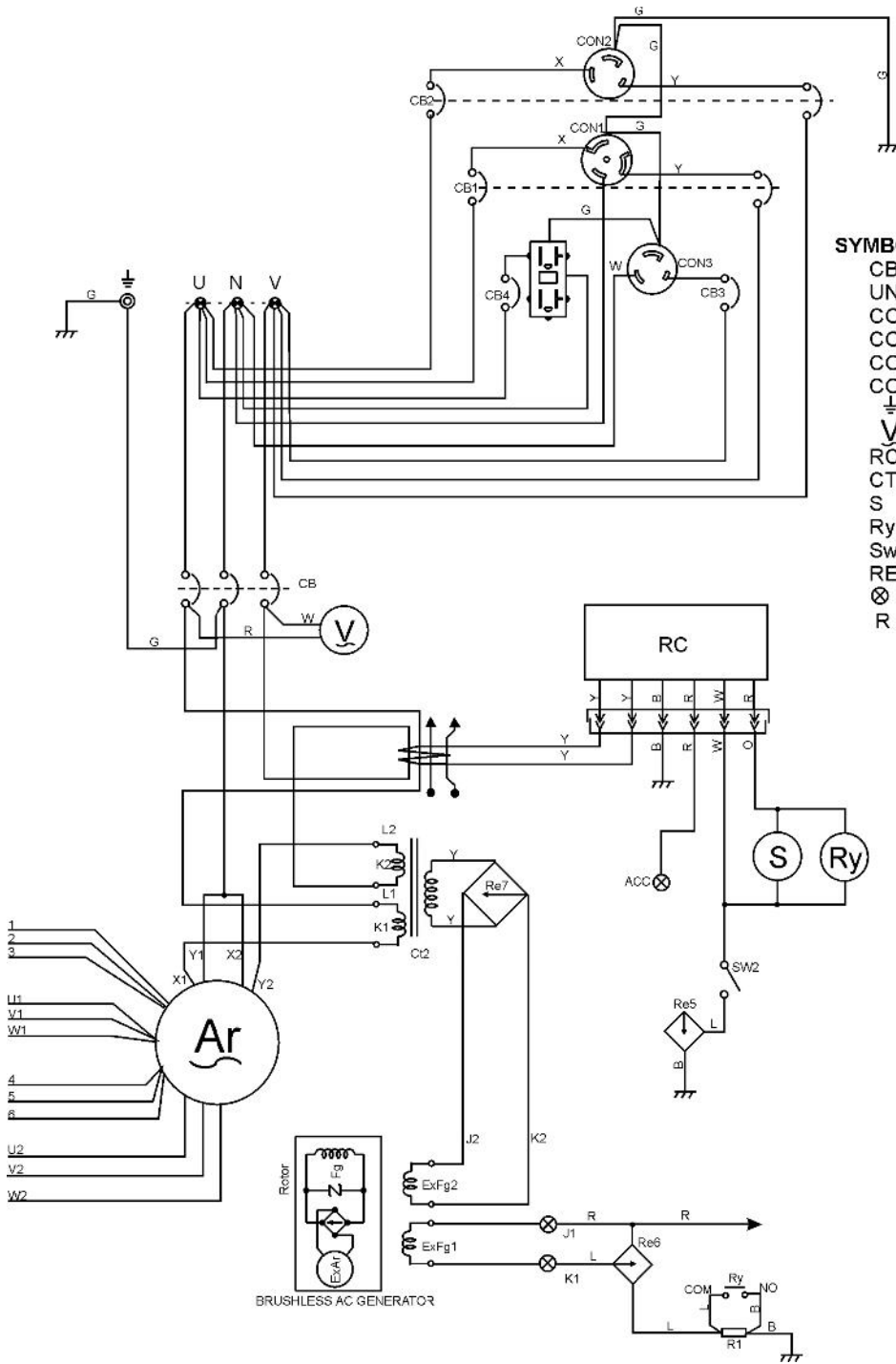


THYRISTORS



SEE NEXT PAGE

BLW-400SSW —GENERATOR WIRING DIAGRAM



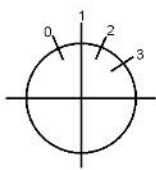
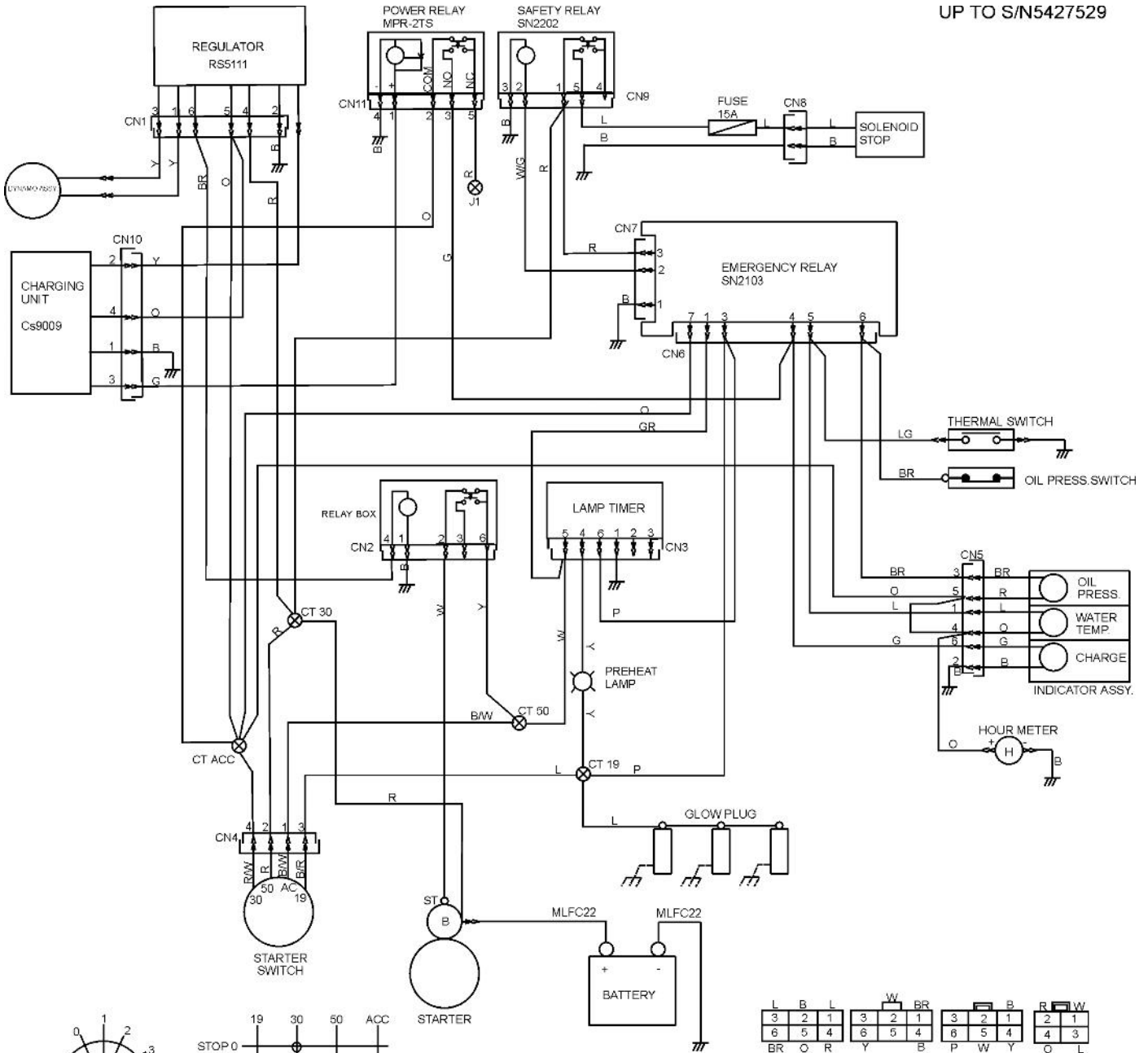
- SYMBOL PART NAME**
- CB CIRCUIT BREAKER
 - UNV OUTPUT TERMINAL
 - CON1 RECEPTACLE (120/240V)
 - CON2 RECEPTACLE (240V)
 - CON3 RECEPTACLE (120V)
 - CON4 RECEPTACLE (120V GFCI)
 - ⊥ GROUND TERMINAL
 - V AC VOLTMETER
 - RC CONTROL UNIT, IDLE CONTROL
 - CT CURRENT TRANSFORMER
 - S ROTARY SOLENOID
 - Ry RELAY
 - Sw2 SWITCH, IDLE CONTROL
 - RE RECTIFIER
 - ⊗ TERMINAL BOARD
 - R RESISTOR

COLOR CODE			
CODE	WIRE COLOR	CODE	WIRE COLOR
B	BLACK	R	RED
L	BLUE	W	WHITE
BR	BROWN	Y	YELLOW
C	GREEN	LB	LT. BLUE
GR	GRAY	LG	LT. GREEN
V	VIOLET	O	ORANGE
P	PINK		

SEE PREVIOUS PAGE

BLW-400SSW —ENGINE WIRING DIAGRAM

UP TO S/N5427529

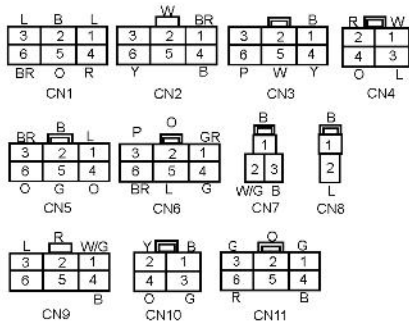


COMBINATION TERMINAL

19	30	50	ACC	J	K
----	----	----	-----	---	---

COLOR CODE

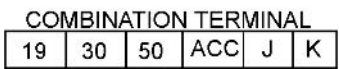
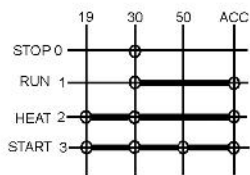
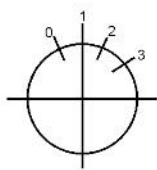
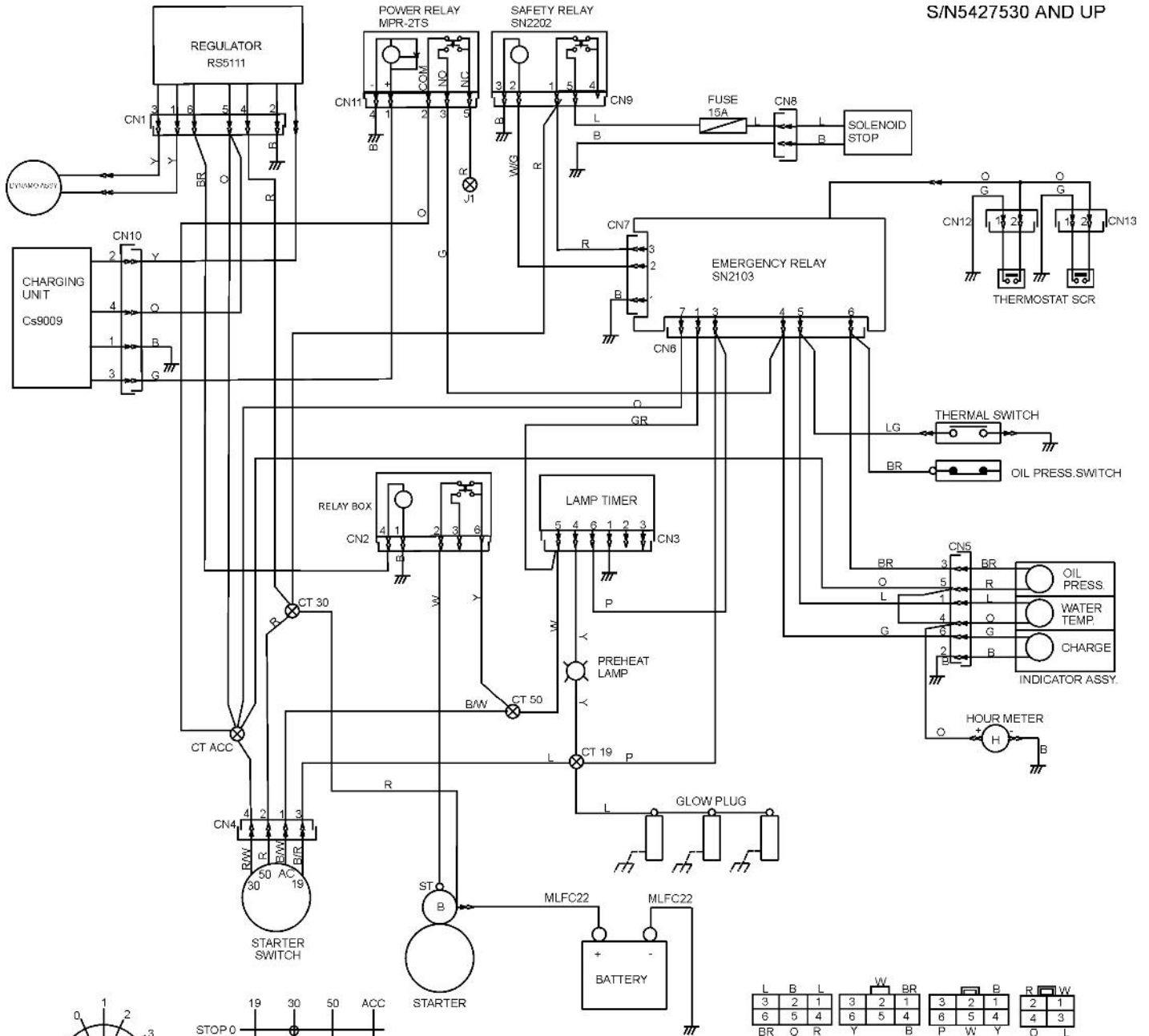
MARK	WIRE COLOR
B	BLACK
L	BLUE
BR	BROWN
G	GREEN
GR	GRAY
V	VIOLET
P	PINK
R	RED
W	WHITE
Y	YELLOW
LB	LT. BLUE
LG	LT. GREEN
O	ORANGE



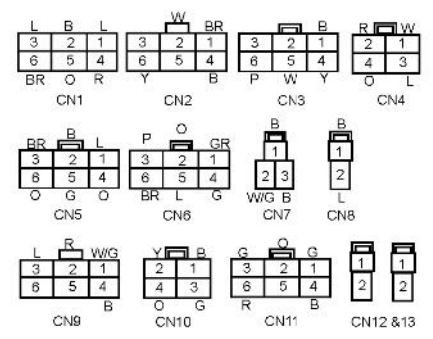
CONNECTOR VIEW AT WIRING SIDE

BLW-400SSW —ENGINE WIRING DIAGRAM

S/N5427530 AND UP



COLOR CODE	
MARK	WIRE COLOR
B	BLACK
L	BLUE
BR	BROWN
G	GREEN
GR	GRAY
V	VIOLET
P	PINK
R	RED
W	WHITE
Y	YELLOW
LB	LT. BLUE
LG	LT. GREEN
O	ORANGE



CONNECTOR VIEW AT WIRING SIDE