

# PARTS MANUAL



## **MODEL BPX GASOLINE BACKPACK VIBRATOR (HONDA GXH50UQXA GASOLINE ENGINE)**

Revision #5 (04/29/24)

To find the latest revision of this publication or associated operation manual, visit our website at: [www.multiquip.com](http://www.multiquip.com)



THIS MANUAL MUST ACCOMPANY THE EQUIPMENT AT ALL TIMES.

**PN: 14454**

**Multiquip BPX  
Gasoline Concrete Vibrator**

Explanation Of Code In Remarks Column..... 4  
Suggested Spare Parts ..... 5

**Component Drawings**

Nameplate And Decals Assembly..... 6-7  
Vibrator Assembly..... 8-9  
Frame And Swivel Assembly ..... 10-11  
Engine Mounting Assembly ..... 12-13  
Engine Service Parts Assembly..... 14-15

**NOTICE**  
Specifications and part numbers are subject to change without notice.



# EXPLANATION OF CODE IN REMARKS COLUMN

The following section explains the different symbols and remarks used in the Parts section of this manual. Use the help numbers found on the back page of the manual if there are any questions.

## NOTICE

The contents and part numbers listed in the parts section are subject to change without notice. Multiquip does not guarantee the availability of the parts listed.

## SAMPLE PARTS LIST

NO.	PART NO.	PART NAME	QTY.	REMARKS
1	12345	BOLT .....	1	INCLUDES ITEMS W/%
2%		WASHER, 1/4 IN. ....		NOT SOLD SEPARATELY
2%	12347	WASHER, 3/8 IN. ...	1	MQ-45T ONLY
3	12348	HOSE .....	A/R	MAKE LOCALLY
4	12349	BEARING .....	1	S/N 2345B AND ABOVE

## NO. Column

**Unique Symbols** — All items with same unique symbol (@, #, +, %, or >) in the number column belong to the same assembly or kit, which is indicated by a note in the “Remarks” column.

**Duplicate Item Numbers** — Duplicate numbers indicate multiple part numbers, which are in effect for the same general item, such as different size saw blade guards in use or a part that has been updated on newer versions of the same machine.

## NOTICE

When ordering a part that has more than one item number listed, check the remarks column for help in determining the proper part to order.

## PART NO. Column

**Numbers Used** — Part numbers can be indicated by a number, a blank entry, or TBD.

TBD (To Be Determined) is generally used to show a part that has not been assigned a formal part number at the time of publication.

A blank entry generally indicates that the item is not sold separately or is not sold by Multiquip. Other entries will be clarified in the “Remarks” Column.

## QTY. Column

**Numbers Used** — Item quantity can be indicated by a number, a blank entry, or A/R.

A/R (As Required) is generally used for hoses or other parts that are sold in bulk and cut to length.

A blank entry generally indicates that the item is not sold separately. Other entries will be clarified in the “Remarks” Column.

## REMARKS Column

Some of the most common notes found in the “Remarks” Column are listed below. Other additional notes needed to describe the item can also be shown.

**Assembly/Kit** — All items on the parts list with the same unique symbol will be included when this item is purchased.

Indicated by:

“INCLUDES ITEMS W/(unique symbol)”

**Serial Number Break** — Used to list an effective serial number range where a particular part is used.

Indicated by:

“S/N XXXXX AND BELOW”

“S/N XXXX AND ABOVE”

“S/N XXXX TO S/N XXX”

**Specific Model Number Use** — Indicates that the part is used only with the specific model number or model number variant listed. It can also be used to show a part is NOT used on a specific model or model number variant.

Indicated by:

“XXXXX ONLY”

“NOT USED ON XXXX”

**“Make/Obtain Locally”** — Indicates that the part can be purchased at any hardware shop or made out of available items. Examples include battery cables, shims, and certain washers and nuts.

**“Not Sold Separately”** — Indicates that an item cannot be purchased as a separate item and is either part of an assembly/kit that can be purchased, or is not available for sale through Multiquip.

## SUGGESTED SPARE PARTS

---

### BPX GASOLINE BACKPACK VIBRATOR WITH HONDA GXH50UQXA ENGINE

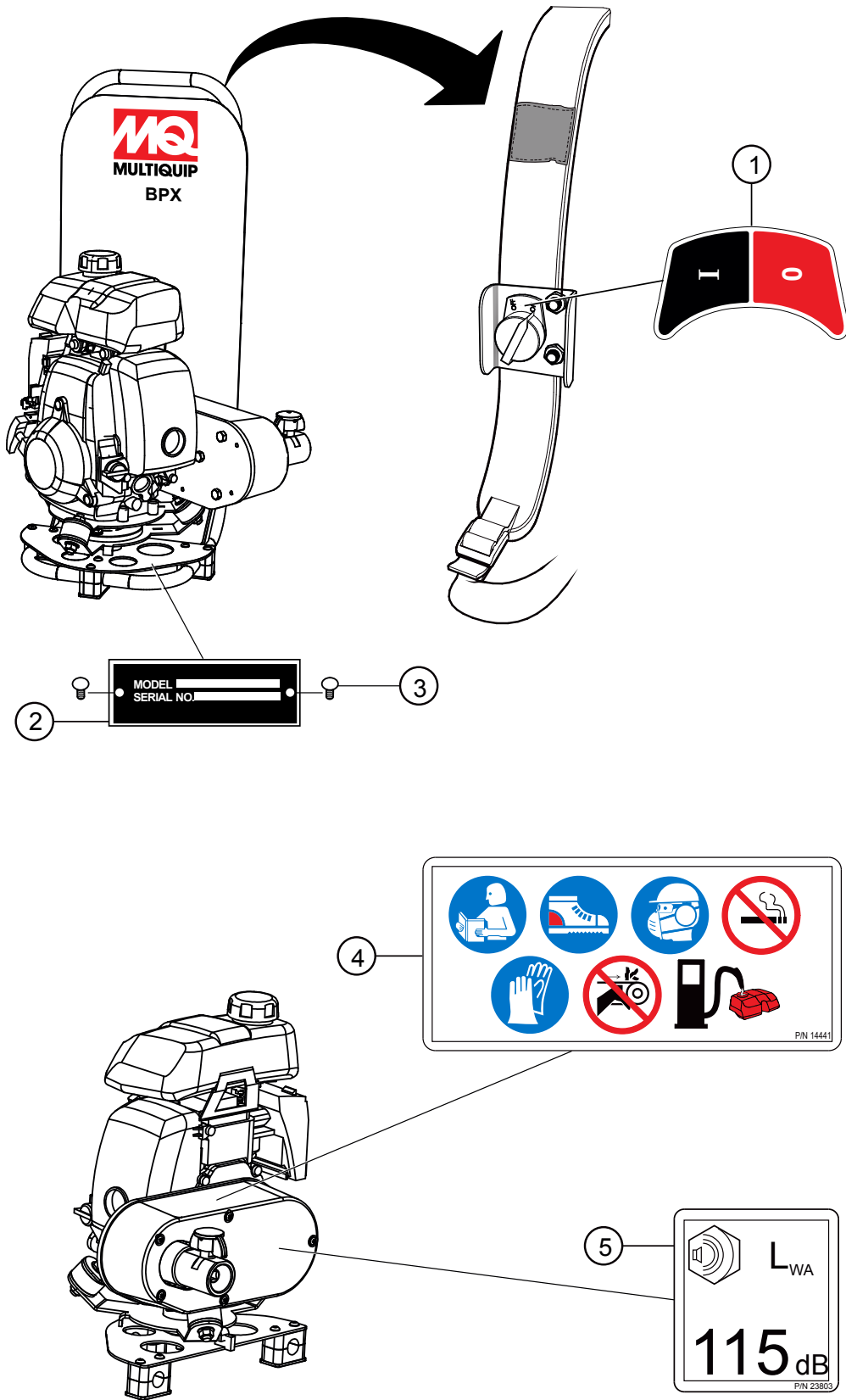
1 to 3 units

Qty.	P/N	Description
2.....	17211ZM7000.....	ELEMENT, AIR
3.....	9805655777.....	SPARK PLUG (NKG)
3.....	28462ZM70003 .....	ROPE, STARTER
1.....	17620ZL8023 .....	CAP, FUEL
3.....	14482.....	BELT, BACKPACK
1.....	28461ZM3003 .....	KNOB, RECOIL STARTER
1.....	34150ZH7023.....	OIL ALERT UNIT
1.....	35480ZM7801 .....	OIL LEVEL SWITCH

#### **NOTICE**

Part numbers on this Suggested Spare Parts list may supersede/replace the part numbers shown in the following parts lists.

# NAMEPLATE AND DECALS ASSY.

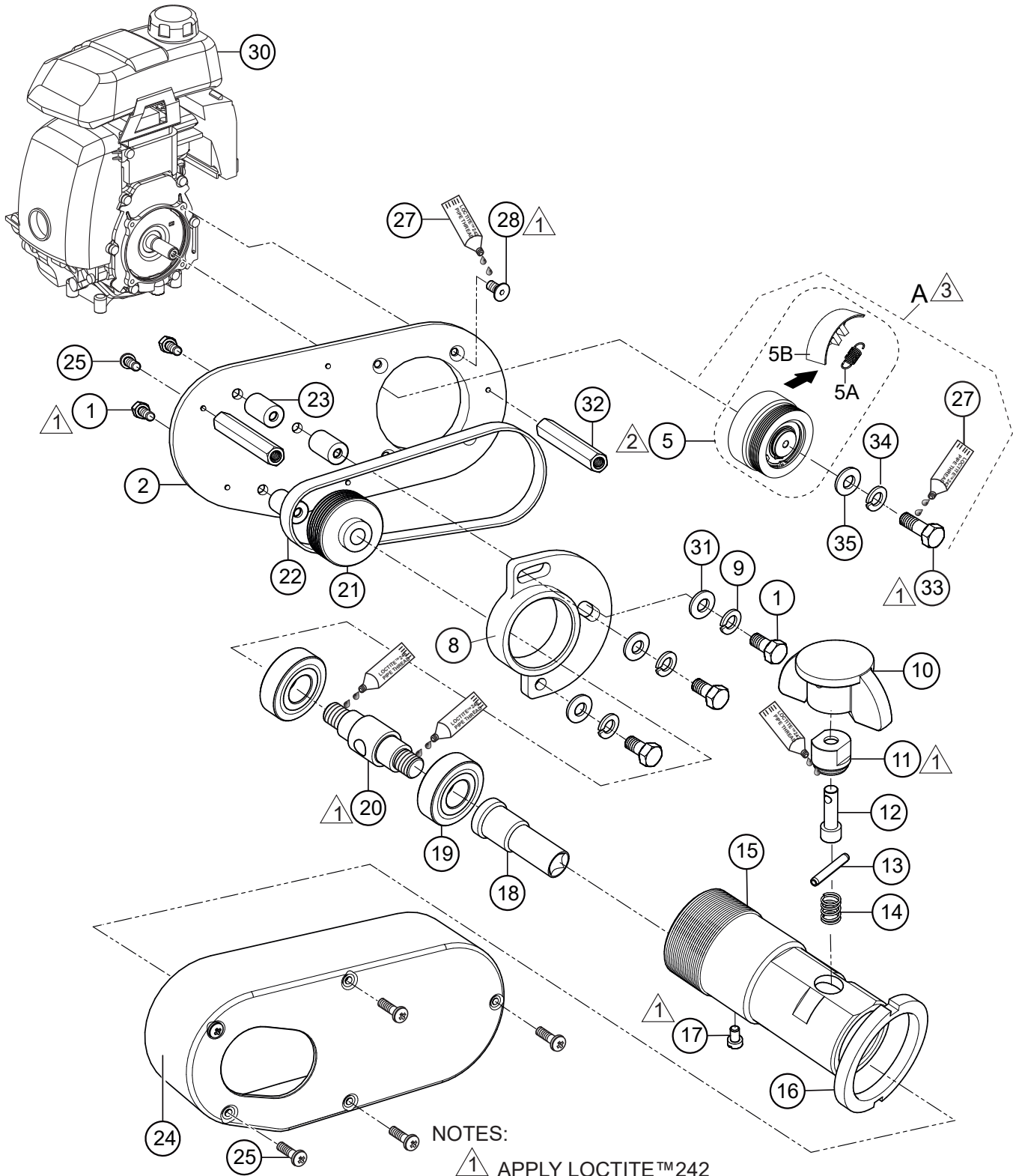


## NAMEPLATE AND DECALS ASSY.

---

<u>NO.</u>	<u>PART NO.</u>	<u>PART NAME</u>	<u>QTY.</u>	<u>REMARKS</u>
1	14437	DECAL, ON/OFF SWITCH, BPX, .48" X .85"	1	
2		SERIAL PLATE, NON CE .....	1	CONTACTMQPARTS
3	4014	SCREW, 2-3/16" P-K	2	
4	14441	DECAL, READ, PROTECTION, SMOKING, GUARD, GAS	1	
5	23803	DECAL, GUARANTEED SOUND, 115 DB	1	

# VIBRATOR ASSY.



**NOTES:**

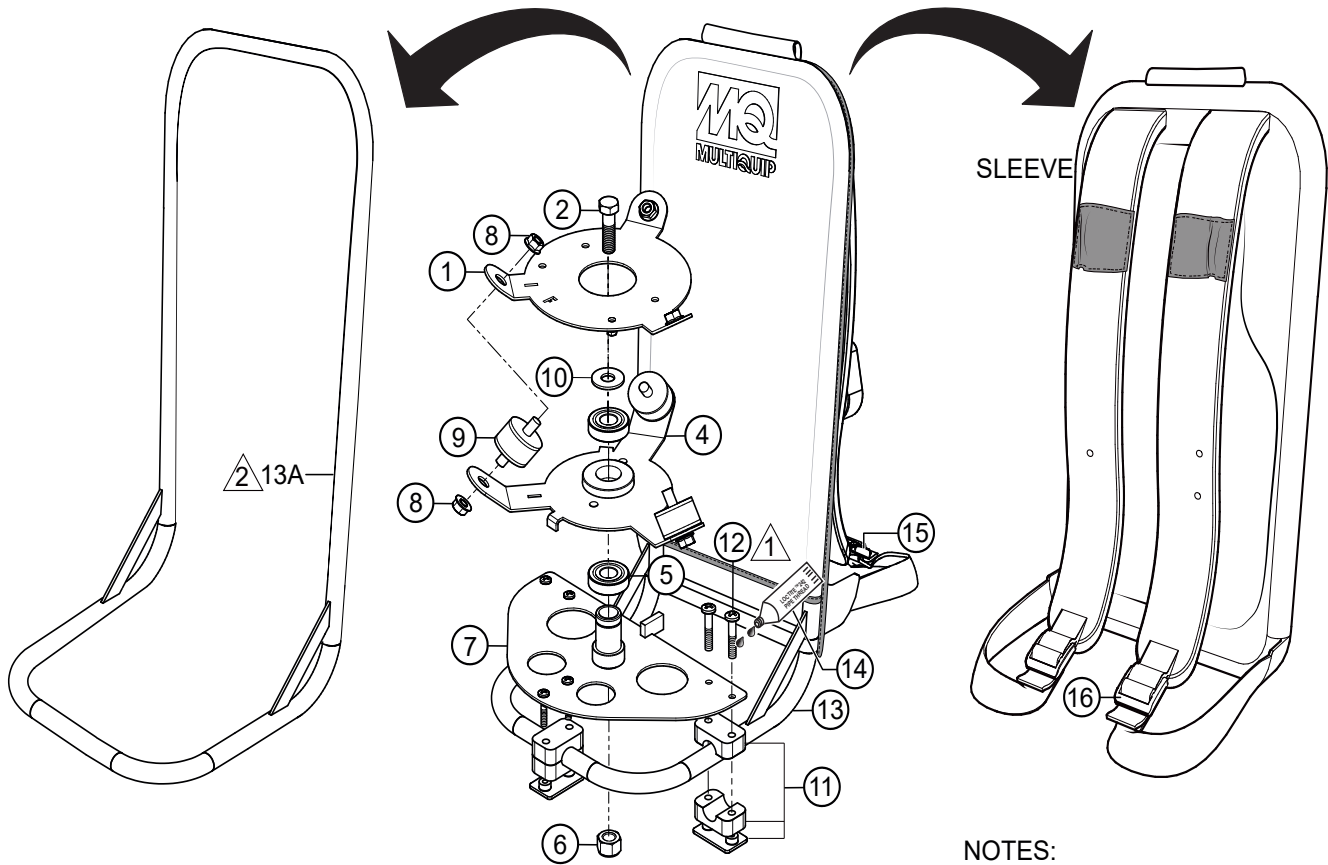
- ▲1 APPLY LOCTITE™242
- ▲2 NORAM CLUTCH REPLACES HILLIARD AND OZTEC CLUTCHES. ORDER SERVICE KIT 14530-SK FOR REPLACEMENT.
- ▲3 ALSO INCLUDES ITEMS 1, 2, 9, 23, 24, 25, 27, 31 AND 32.



## VIBRATOR ASSY.

<u>NO.</u>	<u>PART NO.</u>	<u>PART NAME</u>	<u>QTY.</u>	<u>REMARKS</u>
A	14530-SK	SERVICE KIT, VIBRATORY CLUTCH .....	6.....	INCLUDES ITEMS W/#
1#	0655	SCREW, HHC 5/16"-18 X 5/8"	6	
2#	14470	PLATE, CLUTCH MOUNTING	1	
5	14487	CLUTCH, CENTRIFUGAL, HILLIARD.....	1.....	S/N NB4801019~ND4801095 NLA, REPLACE W/ITEM A
5	ZT363A1	CLUTCH ASSY., 5/8" CENTRIF OZTEC .....	1.....	S/N NH4801107~NK4801191 NLA, REPLACE W/ITEM A
5#	14530	CLUTCH, CENTRIF 1.58MM BORE, NORAM ..	1.....	S/N MF4801223 AND ABOVE INCLUDES ITEMS W/%
5A%	14530-01	CLUTCH SPRING	1	
5B%	14530-02	CLUTCH SHOE	1	
8	14472	BRACKET, TENSIONING	1	
9#	0161 C	WASHER, LOCK 5/16" MED.	3	
10	50125-04	KNOB, PLASTIC QUICK DISCONNECT	1	
11	90004-07	HOUSING, SPRING	1	
12	7200-001	LOCK PIN, QUICK DISCONNECT	1	
13	07502-016	PIN, SLOTTED SPRING 5/32" X 1.00"	1	
14	59999-08	RETAINER SPRING, BACKPACK	1	
15	14473	COUPLING HOUSING	1	
16	14475	NUT, SPANNER, LOCKING, 2-20 X .25	1	
17	14469	SCREW, FHCSL 10-32 X .313, SS	1	
18	14478	COUPLING SHAFT, PULLEY	1	
19	14480	BEARING, BACKPACK SHAFT	2	
20	14477	SHAFT, CENTER PULLEY	1	
21	14479	PULLEY, BACKPACK DRIVEN	1	
22	14482	BELT, BACKPACK	1	
23#	14504	STANDOFF 5/16-18 X 1, 45 LG.	3	
24#	14462	GUARD, BELT BACKPACK	1	
25#	5065 B	SCREW, PHP 10-32 X 1/2"	10	
27#	1477	LOCTITE™242, BLUE, .5CC BOTTLE	1	
28	14489	SCREW, FHSC 1/4"-28 X 5/8"	4	
30	14432	ENGINE, HONDA GXH50UQXA	1	
31#	0300 B	WASHER, FLAT SAE 5/16"	3	
32#	14445	STAND OFF, 10-32 X 2.50 LG	5	
33#	06509-008	SCREW, HHC 1/4-28 X 1	1	
34#	0181 B	WASHER, LOCK 1/4" MED	1	
35#	0948	WASHER, FLAT SAE 1/4"	1	

# FRAME AND SWIVEL ASSY.



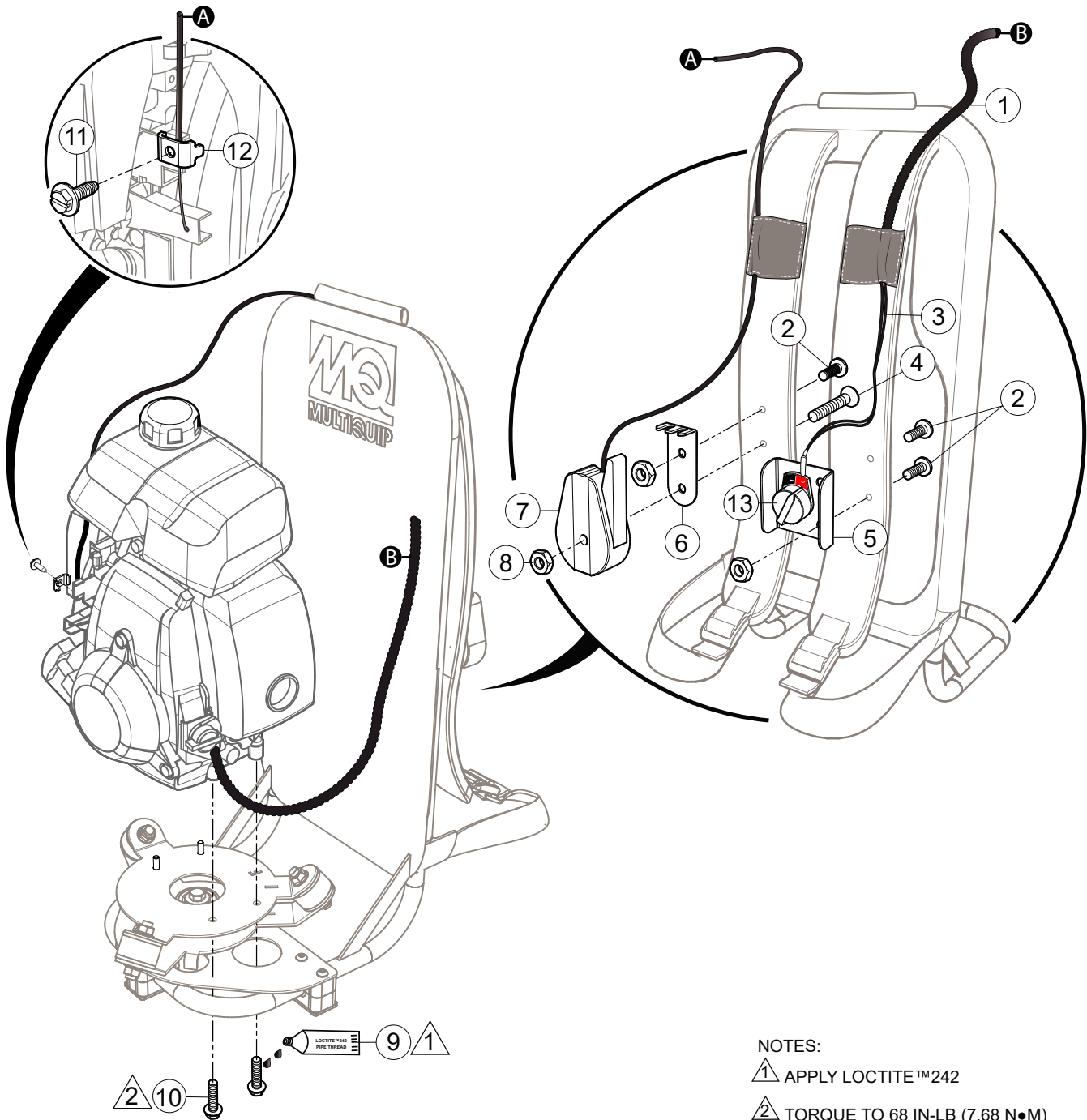
NOTES:

- ① APPLY LOCTITE™242.
- ② INCLUDED WITH ITEM 13.

## FRAME AND SWIVEL ASSY.

<u>NO.</u>	<u>PART NO.</u>	<u>PART NAME</u>	<u>QTY.</u>	<u>REMARKS</u>
1	14439	PLATE, SWIVEL TOP	1	
2	8156	SCREW, HHC 3/8"-16 X 2-1/2"	1	
4	14438	PLATE, SWIVEL BASE	1	
5	14480	BEARING, BACKPACK SHAFT	2	
6	10133	NUT, NYLOC 3/8"-16	1	
7	14450	SWIVEL MOUNT W/A	1	
8	46272	NUT, FLANGED 3/8"-16	6	
9	14442	DAMPENER, VIBRATION	3	
10	4001	WASHER, FLAT USS 3/8" PLD.	1	
11	14443	CLAMP, FRAME 3/4"	3	
12	14467	SCREW, BHC 1/4"-20 X 1-1/2"	6	
13	14431	TUBE FRAME W/SLEEVE .....	1.....	INCLUDES ITEMS W/# SLEEVE CANNOT BE SOLD SEPARATELY
13A#	14431-01	TUBE FRAME W/O SLEEVE	1	
14	1477	LOCTITE™242, BLUE, .5CC BOTTLE	1	
15#	14498	BUCKLE, WAIST STRAP	1	
16#	14499	BUCKLE, CHEST STRAP	1	

# ENGINE MOUNTING ASSY.



## NOTES:

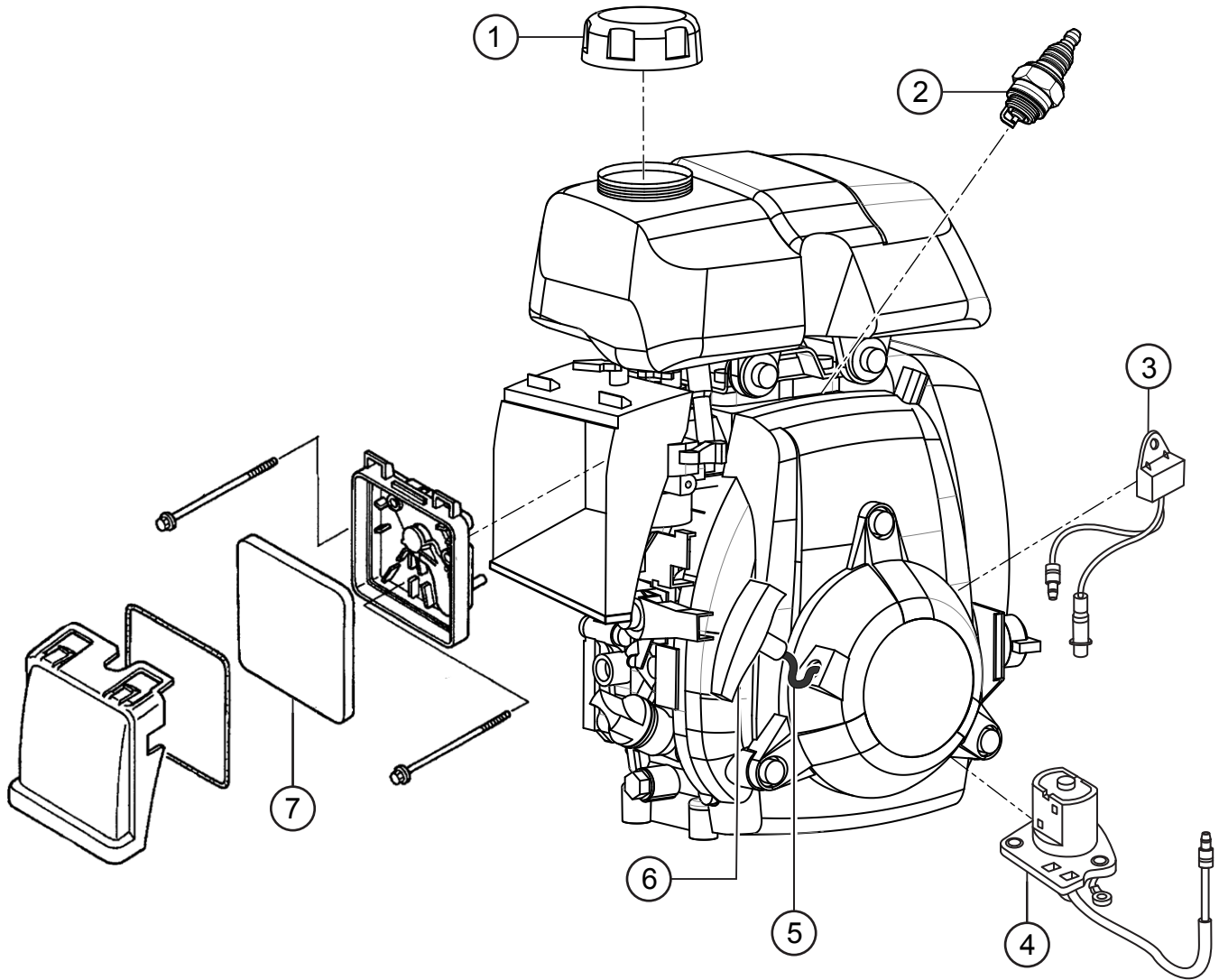
- 1 APPLY LOCTITE™242
- 2 TORQUE TO 68 IN-LB (7.68 N•M)

## ENGINE MOUNTING ASSY.

---

<u>NO.</u>	<u>PART NO.</u>	<u>PART NAME</u>	<u>QTY.</u>	<u>REMARKS</u>
1	60221	SPLIT LOOM, DIA.375, 4 FT. ....	1.....	1PC = 1FT.
2	14489	SCREW, FHSC, 1/4"-28 X 5/8"	3	
3	14485	HARNESS, WIRING	1	
4	14495	SCREW, FHSC, 1/4"-28 X 1-1/2"	1	
5	14433	MOUNT, SWITCH, ON-OFF	1	
6	14440	BRACKET, THROTTLE MOUNT	1	
7	14434	THROTTLE, LEVER/CABLE PLASTIC	1	
8	19378	NUT, HEX JAM 1/4"-28	4	
9	1477	LOCTITE™242, BLUE, .5CC BOTTLE	1	
10	42542	SCREW HFS, ZP, M6-1.0 X 16	4	
11	34308	SCREW, HHF SLOT, #10-32 X 5/8"	1	
12	16576891000	HOLDER, CABLE	1	
13	14453	SWITCH, ROTARY ON-OFF	1	

# ENGINE SERVICE PARTS ASSY.



## ENGINE SERVICE PARTS ASSY.

---

<u>NO.</u>	<u>PART NO.</u>	<u>PART NAME</u>	<u>QTY.</u>	<u>REMARKS</u>
1	17620ZL8023	CAP, FUEL	1	
2	9805655777	SPARK PLUG (NKG)	1	
3	34150ZH7023	OIL ALERT UNIT	1	
4	35480ZM7801	OIL LEVEL SWITCH ASSY.	1	
5	28462ZM70003	ROPE, STARTER	1	
6	28461ZM3003	KNOB, RECOIL STARTER	1	
7	17211ZM7000	ELEMENT, AIR	1	

# PARTS MANUAL

## HERE'S HOW TO GET HELP

PLEASE HAVE THE MODEL AND SERIAL  
NUMBER ON-HAND WHEN CALLING

### UNITED STATES

#### *Multiquip Inc.*

(310) 537- 3700  
6141 Katella Avenue Suite 200  
Cypress, CA 90630  
E-MAIL: [mq@multiquip.com](mailto:mq@multiquip.com)  
WEBSITE: [www.multiquip.com](http://www.multiquip.com)

---

### CANADA

#### *Multiquip*

(450) 625-2244  
4110 Industriel Boul.  
Laval, Quebec, Canada H7L 6V3  
E-MAIL: [infocanada@multiquip.com](mailto:infocanada@multiquip.com)

### UNITED KINGDOM

#### *Multiquip (UK) Limited Head Office*

0161 339 2223  
Unit 2, Northpoint Industrial Estate, Globe Lane,  
Dukinfield, Cheshire SK16 4UJ  
E-MAIL: [sales@multiquip.co.uk](mailto:sales@multiquip.co.uk)

© COPYRIGHT 2024, MULTIQUIP INC.

Multiquip Inc, the MQ logo are registered trademarks of Multiquip Inc. and may not be used, reproduced, or altered without written permission. All other trademarks are the property of their respective owners and used with permission.

This manual MUST accompany the equipment at all times. This manual is considered a permanent part of the equipment and should remain with the unit if resold.

The information and specifications included in this publication were in effect at the time of approval for printing. Illustrations, descriptions, references and technical data contained in this manual are for guidance only and may not be considered as binding. Multiquip Inc. reserves the right to discontinue or change specifications, design or the information published in this publication at any time without notice and without incurring any obligations.



**PN: 14454**