

PARTS MANUAL



MAYCO SERIES MODEL C30HDN CONCRETE PUMP (NISSAN ENGINE)

Revision #12 (09/18/24)

To find the latest revision of this publication or associated operation manual, visit our website at: www.multiquip.com



THIS MANUAL MUST ACCOMPANY THE EQUIPMENT AT ALL TIMES.

TABLE OF CONTENTS

C30HDN Concrete Pump

Explanation Of Code In Remarks Column..... 4
Suggested Spare Parts 5

Component Drawings

Nameplate And Decals Assembly..... 6-7
Compensator Piston Rod Assembly 8-9
Connecting Rod - Drive Side Assembly..... 10-11
Rocker Assembly 12-13
Counter-Shaft Assembly 14-15
Crankshaft Assembly 16-17
Manifold Assembly 18-19
Frame Assembly 20-21
Axle Assembly 22-23
Muffler, Air Filter, And Stop Switch Assembly .. 24-25
Clutch Assembly 26-27
Radiator & Engine Mounting Bracket Assy 28-29
Radiator, Mounting And Hoses Assembly..... 30-31
Control Box Mounting Bracket Assembly 32-33
Control Box Assembly 34-35
Battery Assembly 36-37
Fuel Tank Assembly 38-39
Hopper Assembly 40-41
Hood Assembly..... 42-43
Lubrication Panel Assembly 44-45
Solenoid And Fuseholder Assembly 48-49

NOTICE

Part numbers are subject to change without notice.

EXPLANATION OF CODE IN REMARKS COLUMN

The following section explains the different symbols and remarks used in the Parts section of this manual. Use the help numbers found on the back page of the manual if there are any questions.

NOTICE

The contents and part numbers listed in the parts section are subject to change without notice. Multiquip does not guarantee the availability of the parts listed.

SAMPLE PARTS LIST

NO.	PART NO.	PART NAME	QTY.	REMARKS
1	12345	BOLT	1	INCLUDES ITEMS W/%
2%		WASHER, 1/4 IN.		NOT SOLD SEPARATELY
2%	12347	WASHER, 3/8 IN. ...	1	MQ-45T ONLY
3	12348	HOSE	A/R	MAKE LOCALLY
4	12349	BEARING	1	S/N 2345B AND ABOVE

NO. Column

Unique Symbols — All items with same unique symbol (@, #, +, %, or >) in the number column belong to the same assembly or kit, which is indicated by a note in the “Remarks” column.

Duplicate Item Numbers — Duplicate numbers indicate multiple part numbers, which are in effect for the same general item, such as different size saw blade guards in use or a part that has been updated on newer versions of the same machine.

NOTICE

When ordering a part that has more than one item number listed, check the remarks column for help in determining the proper part to order.

PART NO. Column

Numbers Used — Part numbers can be indicated by a number, a blank entry, or TBD.

TBD (To Be Determined) is generally used to show a part that has not been assigned a formal part number at the time of publication.

A blank entry generally indicates that the item is not sold separately or is not sold by Multiquip. Other entries will be clarified in the “Remarks” Column.

QTY. Column

Numbers Used — Item quantity can be indicated by a number, a blank entry, or A/R.

A/R (As Required) is generally used for hoses or other parts that are sold in bulk and cut to length.

A blank entry generally indicates that the item is not sold separately. Other entries will be clarified in the “Remarks” Column.

REMARKS Column

Some of the most common notes found in the “Remarks” Column are listed below. Other additional notes needed to describe the item can also be shown.

Assembly/Kit — All items on the parts list with the same unique symbol will be included when this item is purchased.

Indicated by:

“INCLUDES ITEMS W/(unique symbol)”

Serial Number Break — Used to list an effective serial number range where a particular part is used.

Indicated by:

“S/N XXXXX AND BELOW”

“S/N XXXX AND ABOVE”

“S/N XXXX TO S/N XXX”

Specific Model Number Use — Indicates that the part is used only with the specific model number or model number variant listed. It can also be used to show a part is NOT used on a specific model or model number variant.

Indicated by:

“XXXXX ONLY”

“NOT USED ON XXXX”

“Make/Obtain Locally” — Indicates that the part can be purchased at any hardware shop or made out of available items. Examples include battery cables, shims, and certain washers and nuts.

“Not Sold Separately” — Indicates that an item cannot be purchased as a separate item and is either part of an assembly/kit that can be purchased, or is not available for sale through Multiquip.

SUGGESTED SPARE PARTS

MAYCO C30HDN CONCRETE PUMP WITH NISSAN GASOLINE ENGINE

1 unit

Qty.	P/N	Description
6	EM14904	PISTON CUP KITS
4	EM18804	4-1/2" STEEL BALL
4	EM14818	4" STEEL BALL
6	EM14903	BALL STOP PIN KIT
10	EM18801	O-RING MANIFOLD
1	EM14308	CHAIN
2	EM26313	HALF LINK
2	EM26314	MASTER LINK
1	EM14334	COMPENSATOR SPRING
2	EM14408	BRONZE RING
2	EM903092	CAM ROLLER BEARING
2	EM14315	V-BELT
2	EM14842	LOWER SEAT
2	EM14843	UPPER SEAT
2	EM26310	CLUTCH LINING
10	EM18409	O-RING
2	EM20763	FUEL FILTER
2	EM20328TKIT	BEARING KIT
1	EM28004DD	REDUCER 3" X 2"
1	EM23946	3" ELBOW
2	EM28904	3" CLAMP
4	EM289041	3" GASKETS
1	EM14159	HOPPER SCREEN
1	EM207091-1	SOLENOID
8	22401M7714	SPARK PLUG
4	1520855400	ELEMENT, OIL
1	11920H9915	V-BELT, GOVERNOR
1	2215723G15	ROTOR ASSY., ENGINE
1	2211577A11	SIGNAL ROTOR SET
1	22020G5111	TRANSISTOR-IGN UNIT
1	22023G5110	SEAT-SYNK
1	2216278A10	CAPASSY, DIST.W/POINTASSY.
1	1172077702	V-BELT, FAN

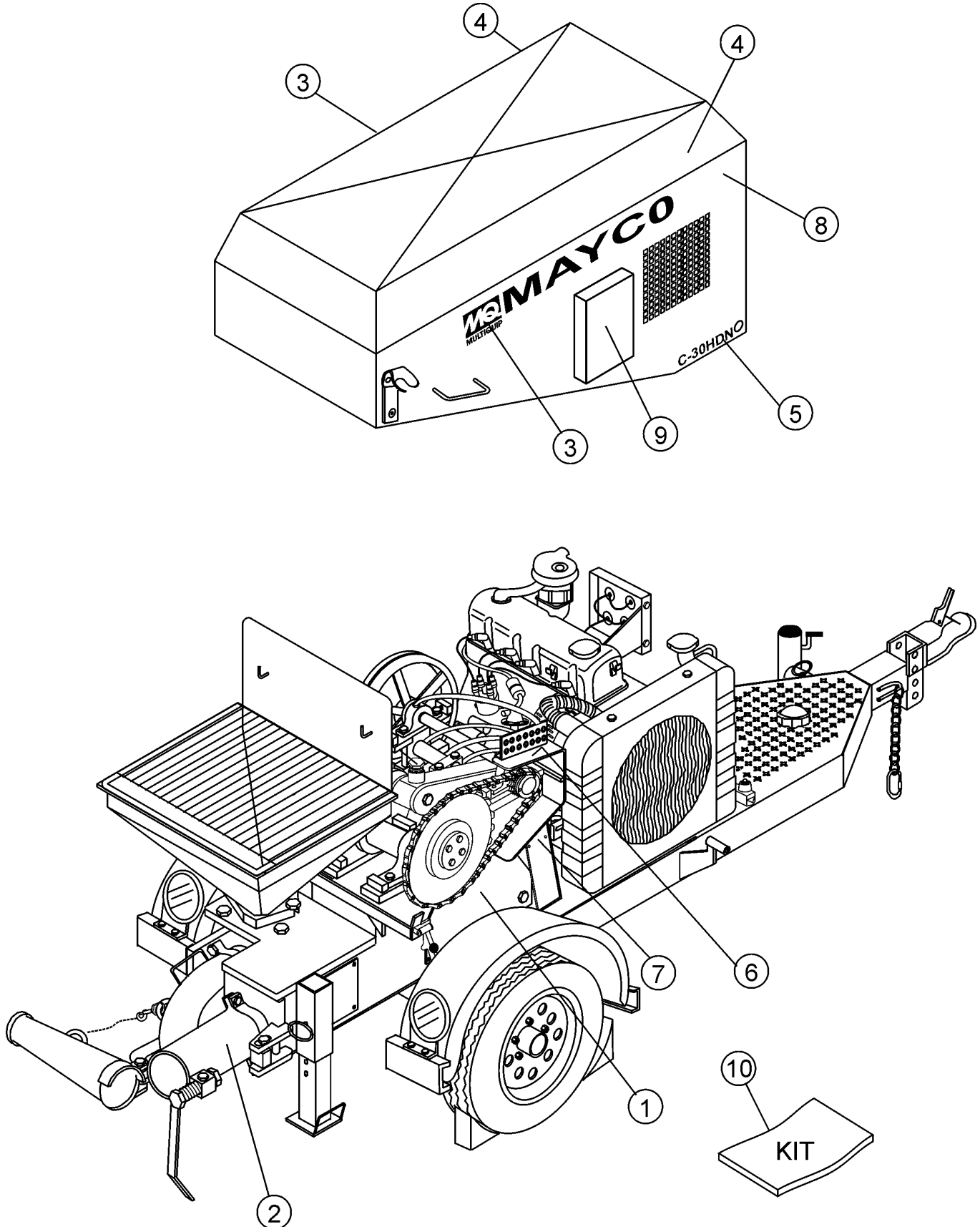
3 units

Qty.	P/N	Description
10	EM14904	PISTON CUP KITS
10	EM18804	4-1/2" STEEL
10	EM14818	4" STEEL BALL
12	EM14903	BALL STOP PIN KIT
25	EM18801	MANIFOLD O-RINGS
3	EM14308	CHAINS
10	EM26313	HALF LINK
10	EM26314	MASTER LINK
2	EM14334	COMPENSATOR SPRING
4	EM14408	BRONZE RING
2	EM98296	CAM ROLLER BEARING
6	EM14315	V-BELT
6	EM14842	LOWER SEAT
6	EM14843	UPPER SEAT
3	EM26310	CLUTCH LINING
20	EM18409	O-RING
6	201287	FUEL FILTER
2	EM20328TKIT	BEARING KIT
2	EM28004DD	REDUCER 3" X 2"
2	EM23946	3" ELBOW
4	EM28904	3" CLAMP
10	EM289041	3" GASKET
2	EM14159	HOPPER SCREEN
1	EM14300	CAM
1	EM14801	T-MANIFOLD
1	EM14819A	Y-MANIFOLD
2	EM14335	PISTON ROD
1	EM26788	REMOTE SWITCH
1	EM903176	CONN. ROD BEARING
1	EM14305	CRANKSHAFT
2	EM14807HD	PUMP CYLINDER
2	EM18800	COMPENSATOR CYLINDER
1	EM14351	CLUTCH
2	EM207091-1	SOLENOID
24	22401M7714	SPARK PLUG
12	1520855400	ELEMENT, OIL
3	11920H9915	V-BELT, GOVERNOR
3	2215723G15	ROTOR ASSY., ENGINE
3	2211577A11	SIGNAL ROTOR SET
3	22020G5110	TRANSISTOR-IGN UNIT
3	22023G5110	SEAT-SYNK
3	2216278A10	CAPASSY, DIST.W/POINTASSY.
3	1172077702	V-BELT, FAN

NOTICE

Part numbers on this Suggested Spare Parts list may supersede/replace the part numbers shown in the following parts lists.

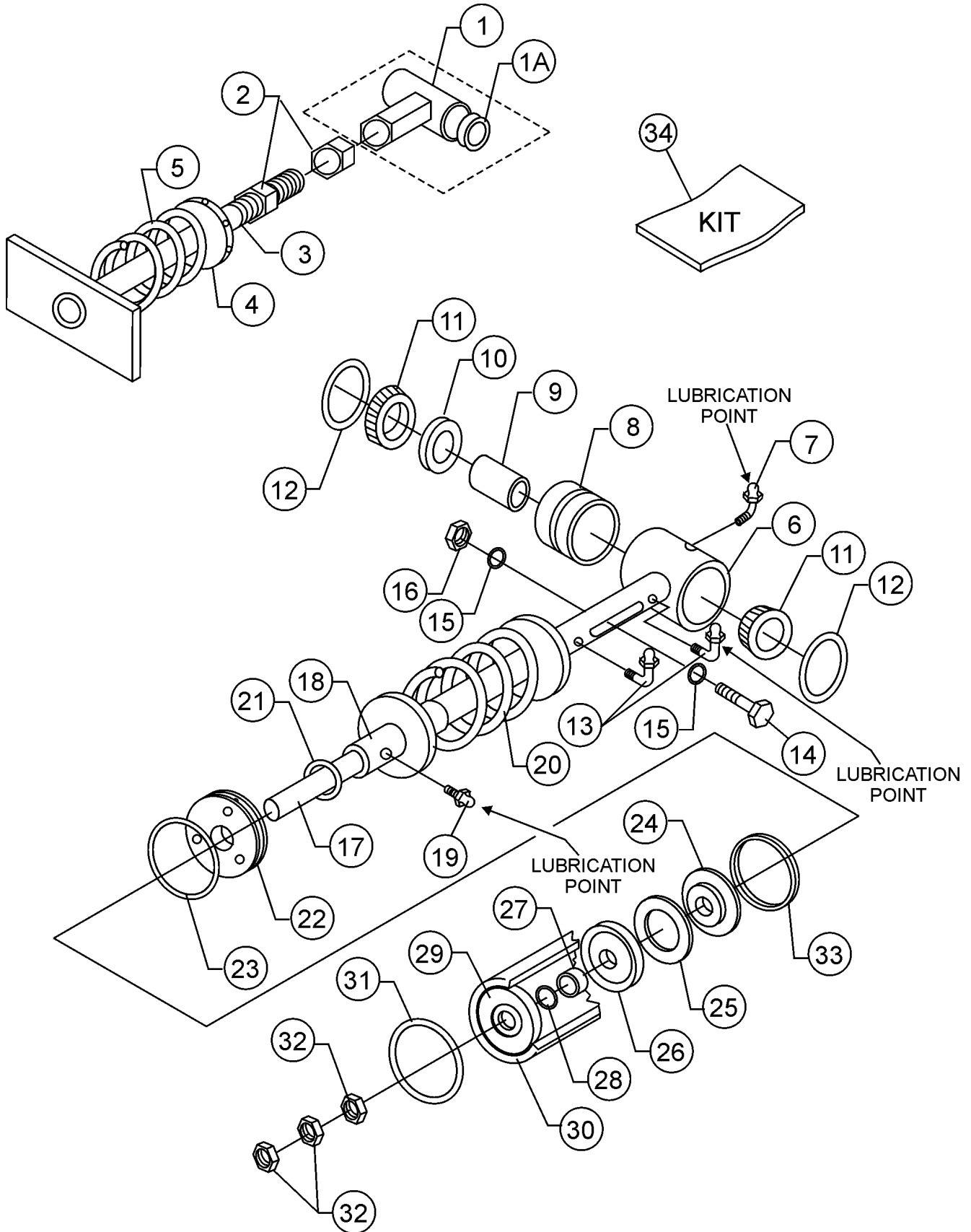
NAMEPLATE AND DECALS ASSY.



NAMEPLATE AND DECALS ASSY.

<u>NO.</u>	<u>PART NO.</u>	<u>PART NAME</u>	<u>QTY.</u>	<u>REMARKS</u>
1\$	DCL152	DECAL, CAUTION OIL LEVEL	1	
2\$	EM932	DECAL, CAUTION, MANIFOLD	1	
3\$	EM1028	DECAL, MULTIQUIP MAYCO	2	
4\$	508594	DECAL, CAUTION READ MANUAL	2	
5\$	EM508594	DECAL, C-30HDN	2	
6\$	EM513165	DECAL, MAINTENANCE	1	
7		DECAL, NAME PLATE	1.....	CONTACT PARTS DEPT.
8\$	98022	DECAL, WARNING	1	
9\$	34536	DECAL, OWNER'S MANUAL	1	
10	DCLC30HDNKIT	KIT, DECAL.....	1.....	INCLUDES ITEMS W/\$

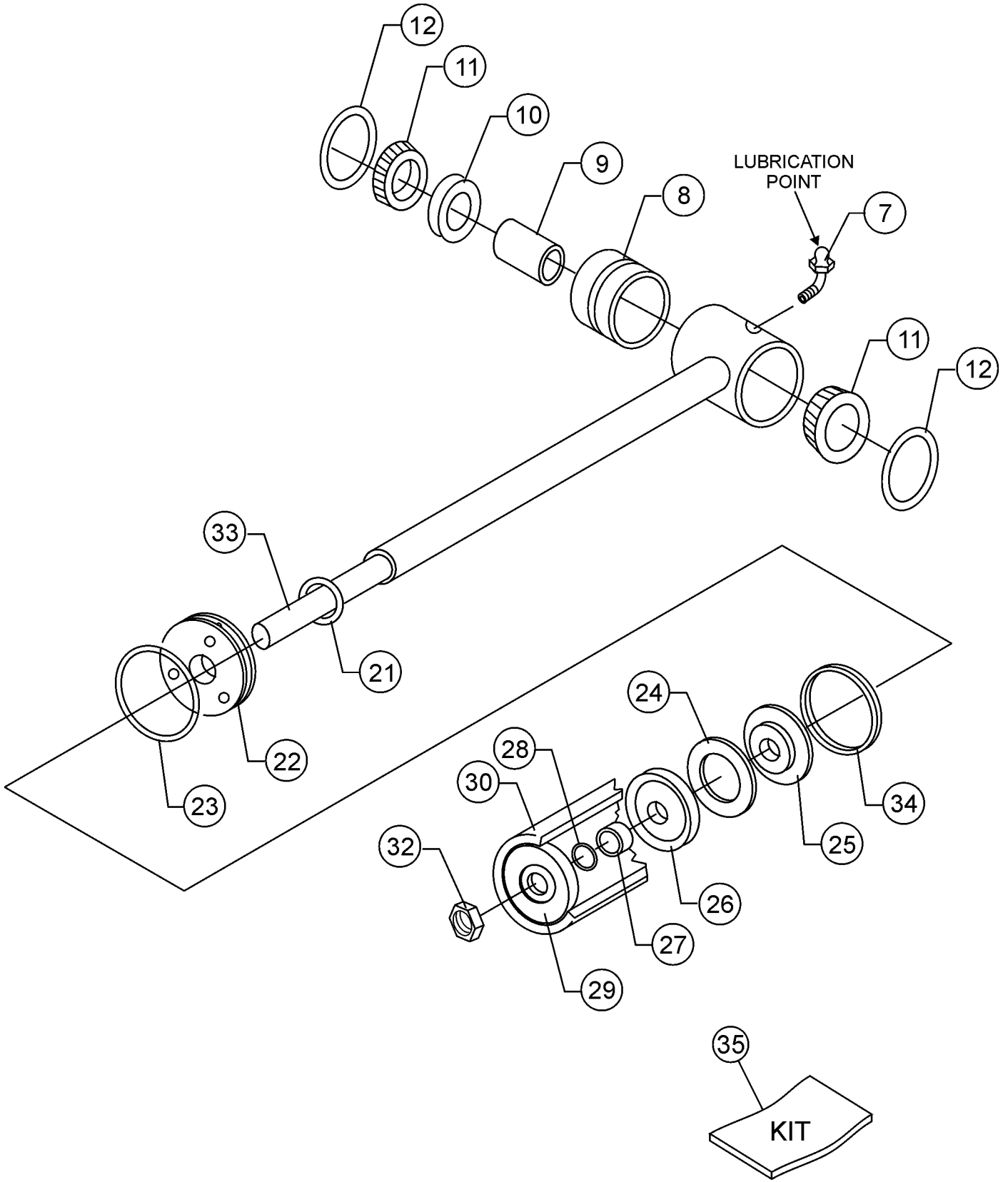
COMPENSATOR PISTON ROD ASSY.



COMPENSATOR PISTON ROD ASSY.

<u>NO.</u>	<u>PART NO.</u>	<u>PART NAME</u>	<u>QTY.</u>	<u>REMARKS</u>
1	EM14805	ROD END	1.....	INCLUDES ITEM W/#
1A#	EM148053	BUSHING	1	
2	EM968446	NUT HEX, 3/4"-10 GR5	2	
3	EM14332	ROD SPRING GUIDE 3/4"	1	
4	EM14331	SPRING BACKING PLATE	1	
5	EM14333	SPRING RETURN	1	
6	EM14806	PISTON GUIDE ASSY.	1	
7	EM505490	FITTING	1	
8%	EM903163	BEARING CUP	1	
9%	EM20814	BEARING BUSHING	1	
10%	EM20813	SPACER	1	
11%	EM903162	BEARING CONE	2	
12%	EM20816	O-RING	2	
13	EM916001	FITTING	2	
14	EM510266	SCREW, HHC 1/2-13X3	1	
15	EM621	WASHER	2	
16	492584	NUT LOCK 1/2" DIA.	1	
17	EM14335	PISTON ROD	1	
18	EM14336	PISTON GUIDE	1	
19	EM505489	FITTING	1	
20	EM14334	COMPENSATOR SPRING	1	
21	EM18409	O-RING	1	
22	EM98032	PLATE, OILER	1	
23	EM14407	O-RING, OILER PLATE	1	
24	EM14410	RING & FELT HOLDER	1	
25	EM14408	BRONZE RING	1	
26	EM14411	PISTON CUP-BLACK	1	
26	EM98051	PISTON CUP-ORANGE	1	
27	EM14412	BUSHING 1 1/4 CRS	1	
28	EM18409	O-RING 1"	2	
29	EM14413	FACE PLATE	1	
30	EM18800HD	PUMPING CYLINDER.....	1.....	2-1/2" LIP SLEEVE
31	EM26525	O-RING, CYLINDER BOX	1	
32	EM968446	NUT HEX, 3/4-10	3	
33	EM16493	FELT RING	1	
34	EM20328TKIT	BEARING KIT	1.....	INCLUDES ITEMS W/%

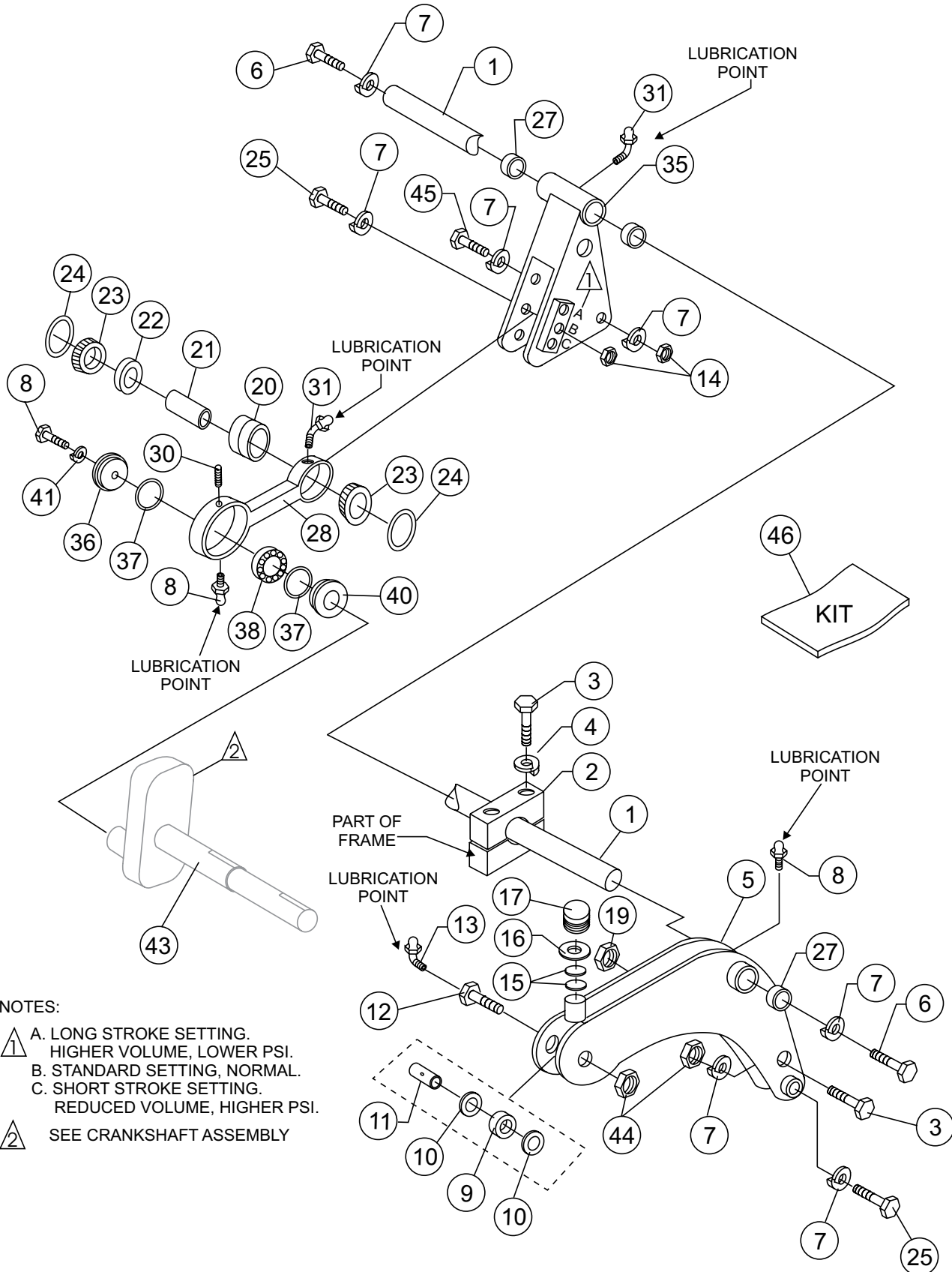
CONNECTING ROD - DRIVE SIDE ASSY.



CONNECTING ROD - DRIVE SIDE ASSY.

<u>NO.</u>	<u>PART NO.</u>	<u>PART NAME</u>	<u>QTY.</u>	<u>REMARKS</u>
7	EM505490	FITTING	1	
8\$	EM903163	BEARING CUP	1	
9\$	EM20814	BEARING BUSHING	1	
10\$	EM20813	SPACER	1	
11\$	EM903162	BEARING CONE	2	
12\$	EM20816	O-RING	2	
21	EM18409	O-RING	1	
22	EM98032	PLATE, OILER	1	
23	EM14407	O-RING, OILER PLATE	1	
24	EM14408	BRONZE RING	1	
25	EM14410	RING AND FELT HOLDER	1	
26	EM14411	PISTON CUP-BLACK	1	
26	EM98051	PISTON CUP-ORANGE	1	
27	EM14412	BUSHING 1 1/4 CRS	1	
28	EM18409	O-RING 1"	2	
29	EM14413	FACE PLATE	1	
30	EM14807HD	CONCRETE CYLINDER.....	1.....	3-3/4 IN. LIP SLEEVE
32	EM968446	NUT HEX, 3/4-10	3	
33	EM14808	PISTON ROD ASSY.	1	
34	EM16493	FELT RING	1	
35	EM20328TKIT	BEARING KIT	1.....	INCLUDES ITEMS W/\$

ROCKER ASSY.



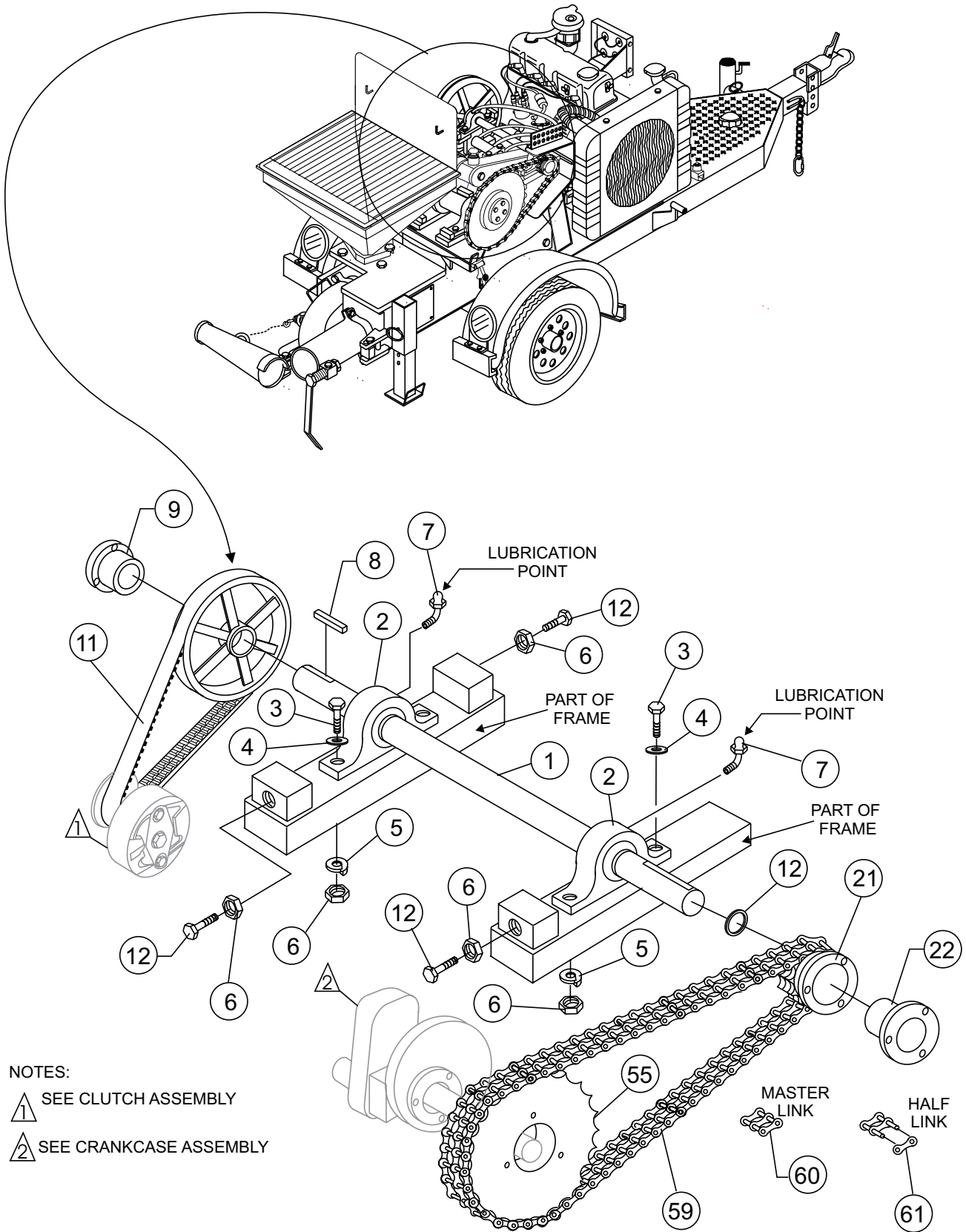
NOTES:

- △ A. LONG STROKE SETTING.
HIGHER VOLUME, LOWER PSI.
- B. STANDARD SETTING, NORMAL.
- C. SHORT STROKE SETTING.
REDUCED VOLUME, HIGHER PSI.
- △ SEE CRANKSHAFT ASSEMBLY

ROCKER ASSY.

<u>NO.</u>	<u>PART NO.</u>	<u>PART NAME</u>	<u>QTY.</u>	<u>REMARKS</u>
1	EM14329	SHAFT ROCKER ARM	1	
2	EM14116	JOURNAL BLOCK	1	
3	EM963180	SCREW, HHC 3/4"-10X5	2	
4	EM923350	WASHER LOCK 3/4" SPRING STEEL	2	
5	EM14846	CAM ROCKER ARM.....	1.....	INCLUDES ITEM W/&
6	EM133	BOLT 1"-14X2" HEX HEAD	1	
7	EM603	WASHER 1" LOCK	1	
8	EM916001	ZERK FITTING	1	
9	EM903092	BEARING ASSY.	1	
10	EM20347	BEARING SPACER	2	
11	EM402434	BEARING BUSHING	1	
12	EM20344	SPECIAL BOLT	1	
13	EM916001	ZERK FITTING	1	
14	EM417	NUT FLEX LOCK	1	
15	EM402456	OILER FELT	2	
16	EM607	WASHER, FLAT 5/8"	1	
17	EM20349	OILER PLUG, PLASTIC	1	
19	EM969038	NUT STOP REG. 3/4"-10	1	
20%	EM903163	BEARING CUP	1	
21%	EM20814	BEARING BUSHING	1	
22%	EM20813	SPACER	1	
23%	EM903162	BEARING CONE	2	
24%	EM20816	O-RING	2	
25	EM105	BOLT 1"-14X6" HEX HEAD	1	
27#&	EM203262	BRONZE BUSHING	4	
28	EM20364	CONNECTING ROD	1	
30	EM702	SCREW ALLEN HEAD 3/8"-16X3/4"	1	
31	EM505490	ZERK FITTING	1	
35	EM14328	ROCKER ARM ASSY.....	1.....	INCLUDES ITEM W/#
36	EM402996	SEAL PLATE	1	
37	EM20336	O-RING	1	
38	EM903176	BEARING	1	
40	EM20338	SPACER	1	
41	EM923348	WASHER LOCK 5/8"	1	
42	EM503982	BOLT 1/2-13X5	1	
43	EM98043	FORGED CRANKSHAFT	1	
44	EM405	NUT, LOCK 3/4"-10	2	
45	EM202	BOLT, HEX 1-8 X 6 LG.	1	
46	EM20328TKIT	BEARING KIT	1.....	INCLUDES ITEMS W/%

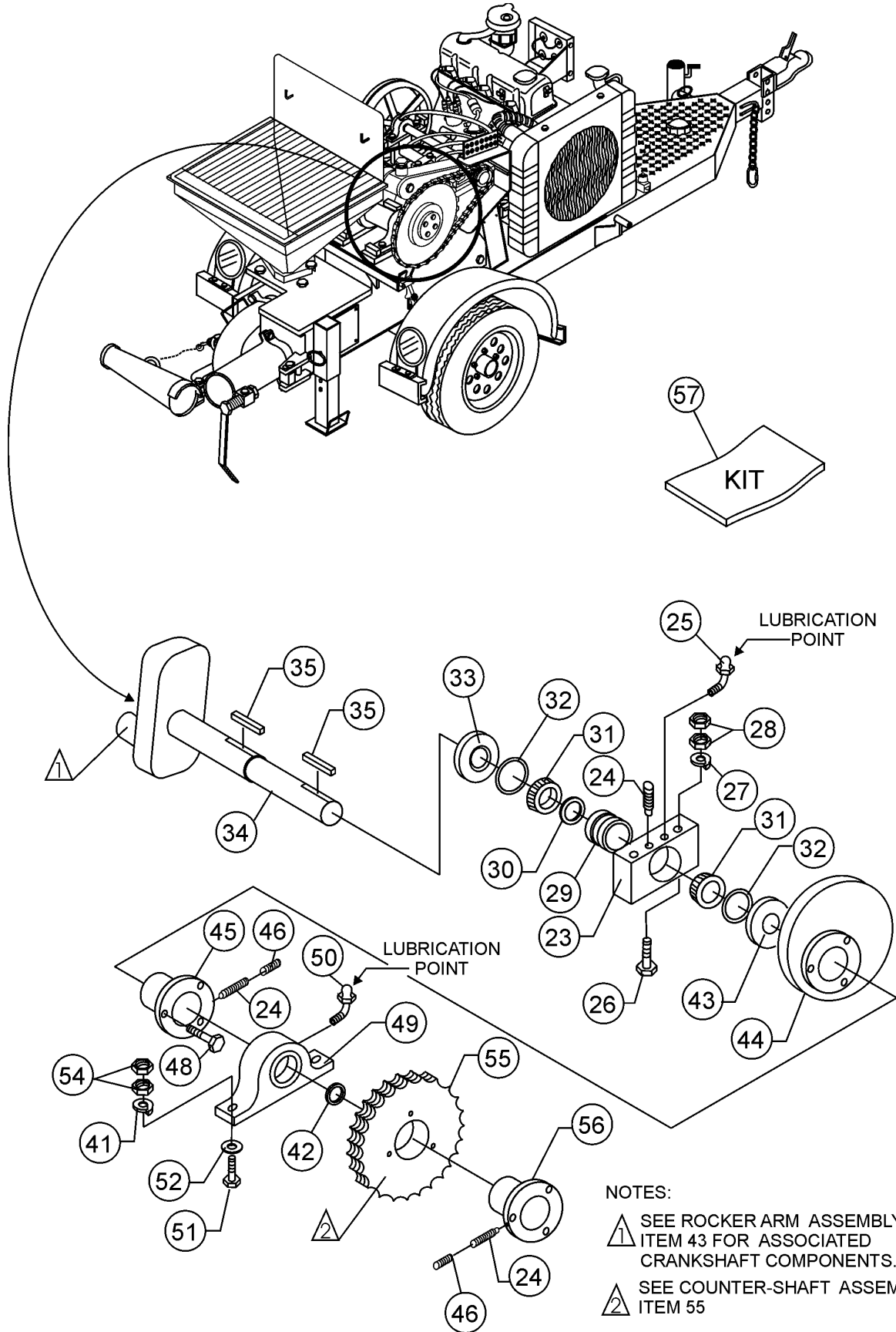
COUNTER-SHAFT ASSY.



COUNTER-SHAFT ASSY.

<u>NO.</u>	<u>PART NO.</u>	<u>PART NAME</u>	<u>QTY.</u>	<u>REMARKS</u>
1	EM513073	COUNTER-SHAFT	1	
2	EM14311	CAM BEARING	2	
3	EM124	BOLT HEX, 1/2 X 1-3/4	2	
4	EM1621	WASHER, 5"	2	
5	EM923346	WASHER, LOCK 1/2"	2	
6	EM968011	NUT, HEX 1/2"-13	2	
7	EM916001	FITTING	1	
8	EM14316	KEY WAY, 3/8" X 2.5"	2	
9	EM14314	BUSHING, PULLEY	1	
10	EM14313	PULLEY	1	
11	EM98074	BELT, DOUBLE 81 INCHES	1	UP TO S/N 211201
11	EM98089	BELT, DOUBLE 83 INCHES	1	S/N 211201 AND ABOVE
12	EM143111	SET COLLAR	1	
21	EM14318	SPROCKET, 13 TOOTH	1	
22	EM14319	BUSHING	1	
55	EM14307	SPROCKET, 60 TEETH	1	
57	EM1702	SCREW ALLEN HEAD 3/8"-16X3/4"	1	
58	EM703	SET SCREW 3/8"-16X3/8"	1	
59	EM14308	CHAIN, W/MASTER LINK	1	
60	EM26314	LINK MASTER	1	
61	EM26313	HALF LINK	1	

CRANKSHAFT ASSY.



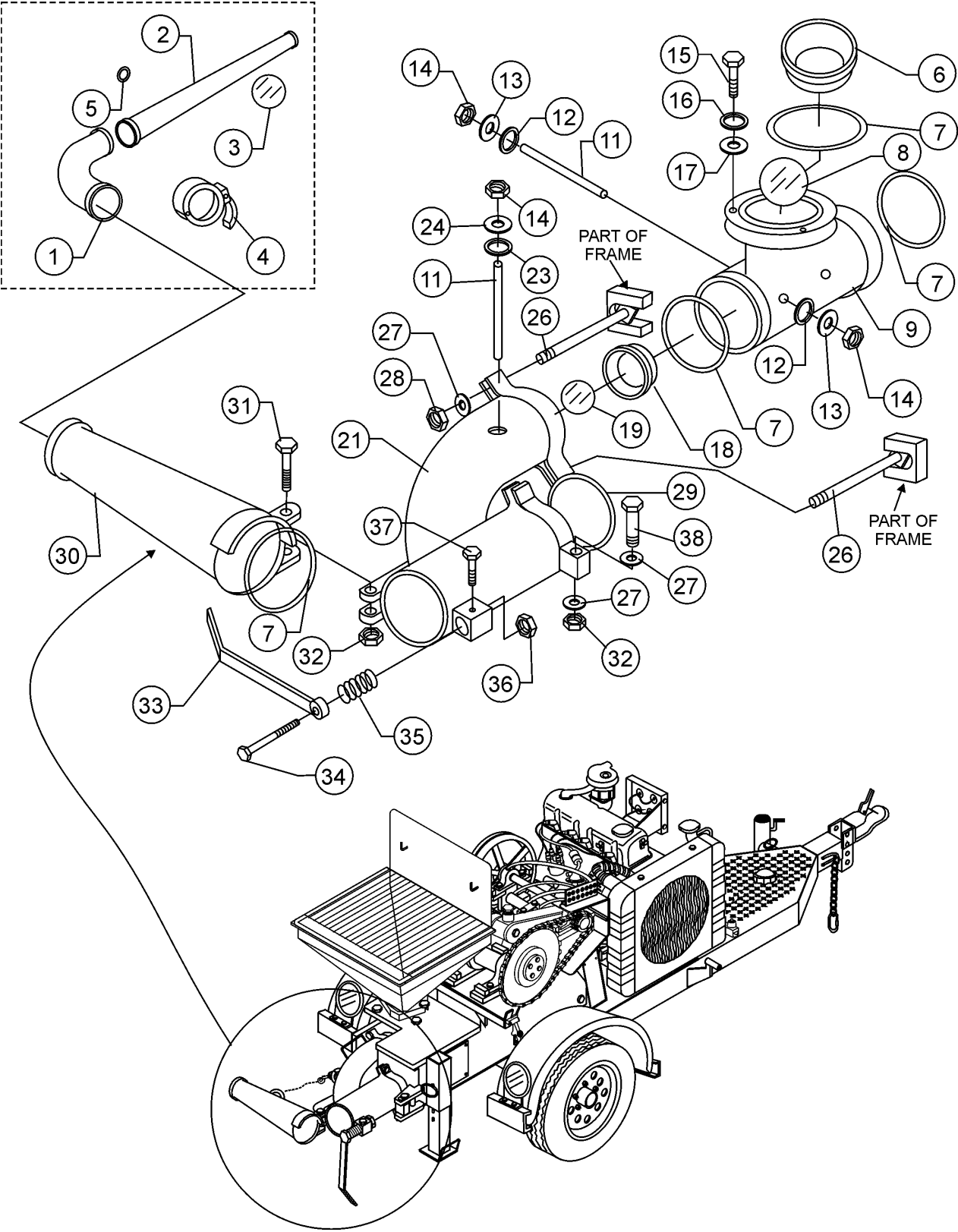
- NOTES:
- ⚠ SEE ROCKER ARM ASSEMBLY ITEM 43 FOR ASSOCIATED CRANKSHAFT COMPONENTS.
 - ⚠ SEE COUNTER-SHAFT ASSEMBLY, ITEM 55

CRANKSHAFT ASSY.

<u>NO.</u>	<u>PART NO.</u>	<u>PART NAME</u>	<u>QTY.</u>	<u>REMARKS</u>
23\$	EM14303	BEARING BLOCK	1	
24\$	EM702	SCREW, ALLEN HEAD 3/8-16X3/4	6	
25	EM505490	ZERK FITTING	1	
26	EM129	SCREW, HHC 3/4-10X8-1/2	2	
27	EM492628	LOCK WASHER 3/4	2	
28	EM968446	NUT HEX, 3/4-10 GR5	4	
29\$	EM14324	CUP BEARING	1	
30\$	EM14323	SPACER BEARING CONE	1	
31\$	EM14325	CONE BEARING	2	
32\$	EM14326	O-RING	2	
33\$	EM14322	SPACER	1	
34\$	EM98043	CRANKSHAFT, FORGED	1	
35\$	EM14306	KEY CRANKSHAFT	2	
38	EM903176	BEARING	1	
40	EM402996	SEAL PLATE	1	
41	EM923348	WASHER, LOCK 5/8 IN.	2	
42#	EM30139	SET COLLAR	1	
43\$	EM14302	SPACER, CAM BUSHING	1	
44\$	EM14300	CAM ASSY.	1	
45\$	EM14301	BUSHING, CAM	1	
46\$	EM703	SCREW ALLEN HEAD 3/8-16X3/8	6	
48\$	EM175	BOLT 3/8-16X1-1/4	6	
49\$	EM14304	BEARING-CAM COMPLETE.....	1.....	INCLUDES ITEM W/#
50\$	EM916001	ZERK FITTING	1	
51	EM128	BOLT 5/8-11X4" HEX HEAD	2	
52	EM620	WASHER, SPECIAL 5/8"	2	
54	EM968013	NUT HEX 5/8-11	4	
55\$	EM14307	SPROCKET 60 TEETH	1	
56\$	EM14309	BUSHING	1	
57	EM98043K	CRANKSHAFT FORGE ASSEMBLY.....	1.....	INCLUDES ITEM W/\$

MANIFOLD ASSY.

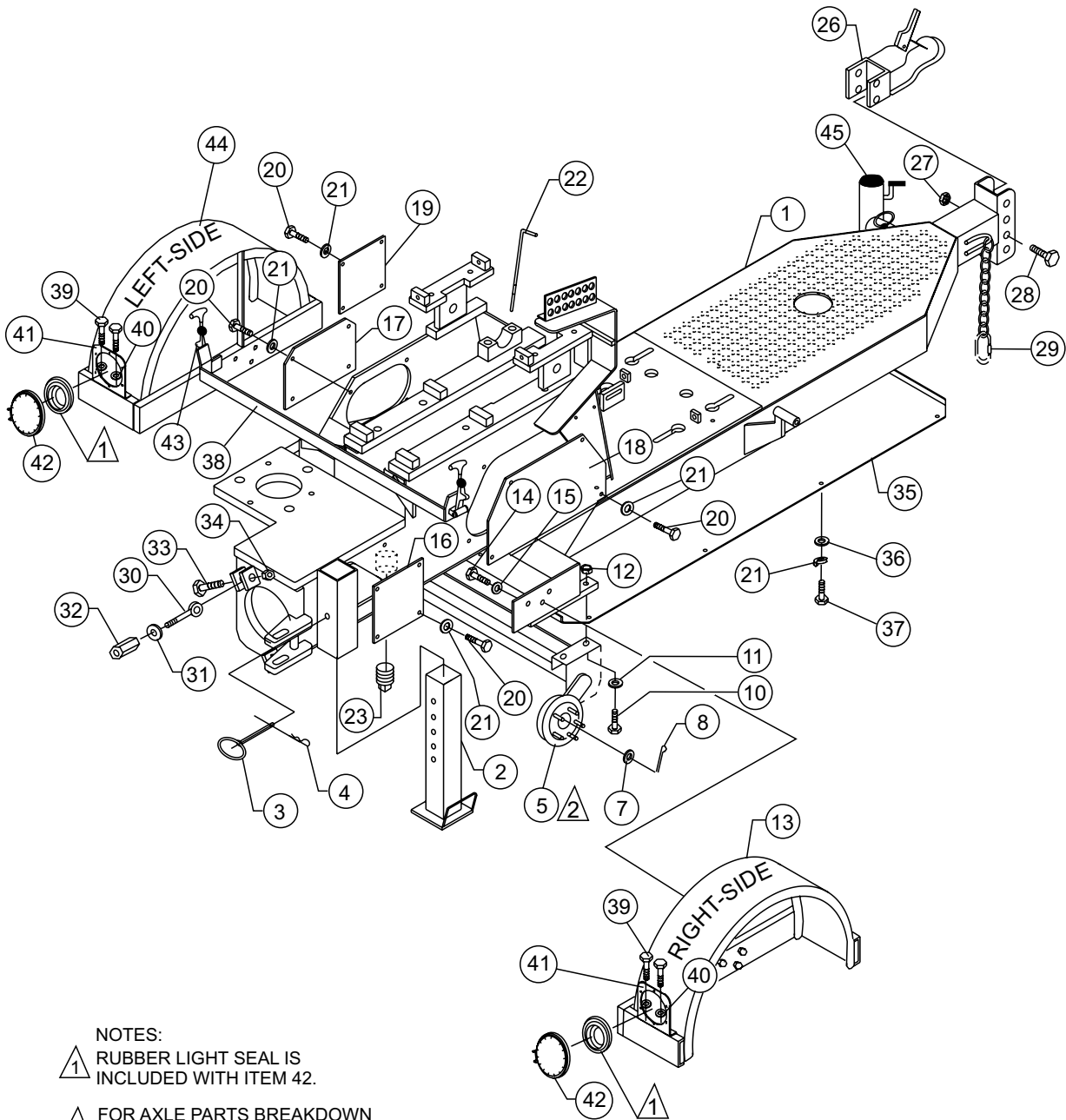
ACCESSORIES



MANIFOLD ASSY.

<u>NO.</u>	<u>PART NO.</u>	<u>PART NAME</u>	<u>QTY.</u>	<u>REMARKS</u>
1	EM23946	ELBOW 3"X90 DEG.HD	1	
2	EM28004DD	REDUCER 3X2X36 HD	1	
3	EM2C0B	BALL 2" SPONGE	2	
4	EM28904	COUPLING 3" HD *CF*	2	
5	EM18409	O-RING 1"	4	
6	EM14843	UPPER DURASEAT	1	
7	EM18801	O-RING	6	
8	EM18804	BALL 4-1/2"	1	
9	EM14801	MANIFOLD T ASSY.	1	
11	EM136	PIN BALL STOP 3/4-16 X 8	3	
12	EM18409	O-RING	4	
13	EM618	WASHER SPECIAL	4	
14	EM968266	NUT JAM HEX 3/4-16	4	
15	EM104	BOLT 5/8-11X2" HEX HEAD	3	
16	EM923348	WASHER LOCK 5/8 SPRING	3	
17	EM505882	WASHER, 5/8	3	
18	EM14842	SEAT DURA LOWER	1	
19	EM14818	BALL 4"	1	
21	EM14819A	MANIFOLD ASSY. EASY OPEN	1	
23	EM18409	O-RING	2	
24	EM618	WASHER SPECIAL	2	
26	EM137	TEE-BOLT 3/4-10X14"	2	
27	EM619	WASHER 3/4"	2	
28	EM968446	NUT HEX 3/4"-10 GR5	2	
30	EM14850	EXHAUST GATE "H/D"	1	
31	EM963180	CAPSCREW 3/4-10X5 HEX HD G8	1	
32	EM969038	NUT STOP REG.3/4-10	2	
33	EM14845	ARM CLAMP	1	
34	EM135	BOLT 1-1/4"-12X7" HEX HD.	1	
35	EM14810	SPRING	1	
36	EM451	NUT 1-1/4"-12 LOCK	1	
37	EM160	BOLT 3/8-16X3/4"	1	
38	EM509329	SCREW HHC 3/4-10X6	1	

FRAME ASSY.

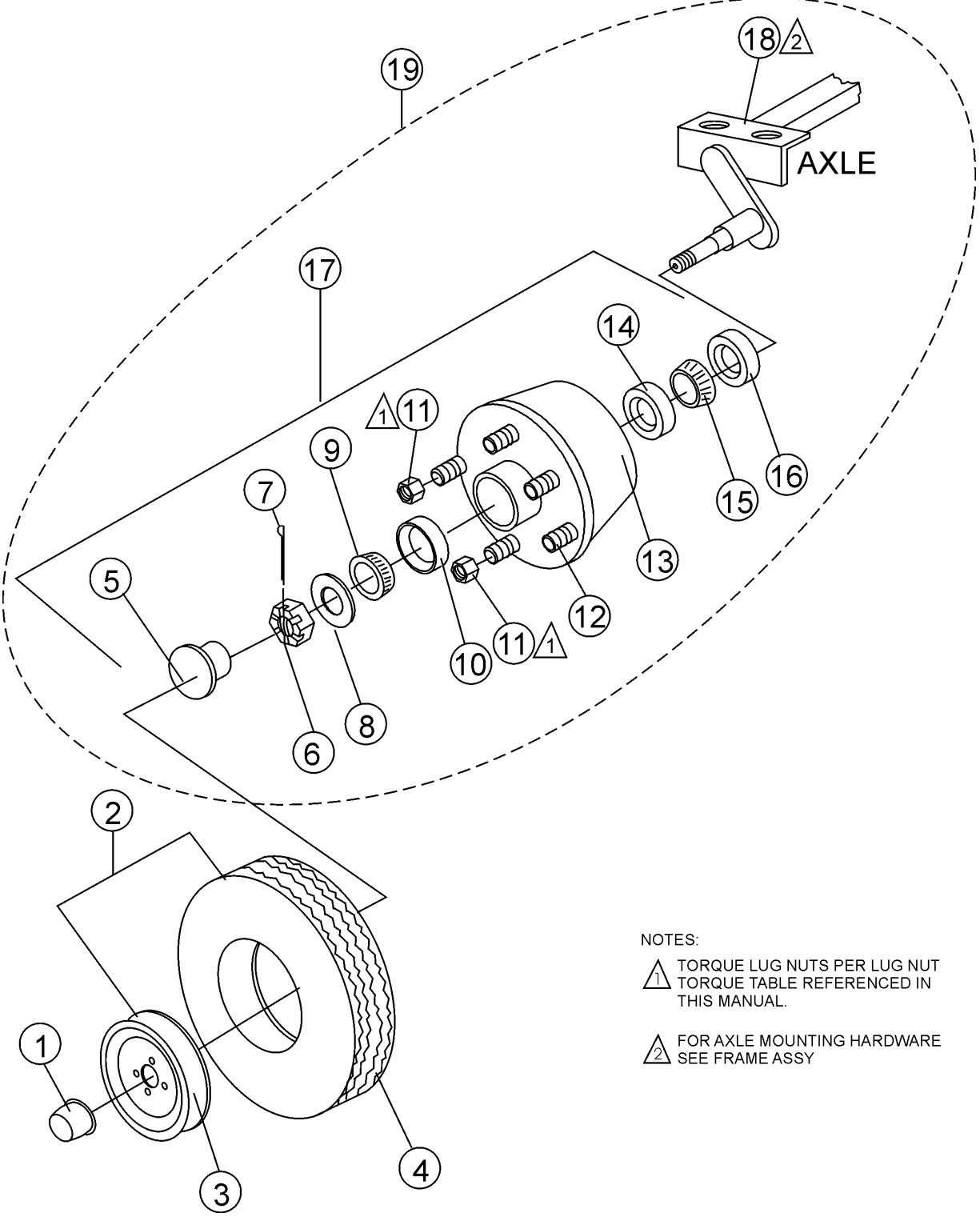


- NOTES:
- 1 RUBBER LIGHT SEAL IS INCLUDED WITH ITEM 42.
 - 2 FOR AXLE PARTS BREAKDOWN SEE AXLE ASSEMBLY

FRAME ASSY.

<u>NO.</u>	<u>PART NO.</u>	<u>PART NAME</u>	<u>QTY.</u>	<u>REMARKS</u>
1	EM513085	FRAME ASSEMBLY	1	
2	EM70186	JACK STAND, REAR	1	
3	EM744	CLEVIS PIN 1/2" X 4"	1	
4	EM745	HAIR PIN C 5/8-3/4"	1	
5	EM14600A	AXLE, ASSEMBLY	1	
7	501299	WASHER THICK 1"	2	
8	491689	KEY COTTER 1/8 X 2	2	
10	EM492396	SCREW HHC 1/2-13 X 2	4	
11	EM621	WASHER .5"	4	
12	EM406	NUT LOCK 1/2" DIA.	4	
13	EM511418	FENDER RIGHT-SIDE	1	
14	981635	BOLT, HHC 1/2-13 X 3/4	6	
15	6109180	WASHER LOCK 1/2"	6	
16	EM512251	COVER	1	
17	EM512252	COVER	1	
18	EM512253	COVER	1	
19	EM512250	COVER	1	
20	EM492309	SCREW, HHC	16	
21	0166 A	WASHER, LOCK 3/8"	24	
22	EM512263	ROD	1	
23	EM507895	PLUG, 2 1/2 NPT	2	
26	29228	HITCH, TONGUE 2"	1	
27	EM969023	NUT, HEX 5/8" NC	2	
28	EM507658	SCREW, HHC 5/8" NC 4-1/2 G5	2	
29	EM509947	LINK, QUICK	2	
30	EM14165	BOLT EYE	2	
31	EM619	WASHER 3/4" WILLIAM	2	
32	EM968002	NUT COUPLING 3/4-10	2	
33	EM963614	SCREW 3/4"-10 X 3 GR.5	2	
34	EM969038	NUT STOP REG. 3/4-10	2	
35	EM513078	COVER, CHASSIS BOTTOM	1	
36	10136	WASHER, FLAT 3/8	8	
37	EM492264	HHCS. 3/8" NC X 1"	8	
38	EM929028	HOOD REST, STEEL	2	
39	492363	SCREW HHC 5/16-18 X 3/4"	4	
40	EM923343	WASHER LOCK 5/16"	4	
41	EM265361	BRACKET LIGHT	2	
42	EM26536	TAIL LIGHT	2	
43	491010	HOOD FASTENER, RUBBER	2	
44	EM513087	FENDER LEFT-SIDE	1	
45	25610	JACK STAND, FRONT	1	

AXLE ASSY.

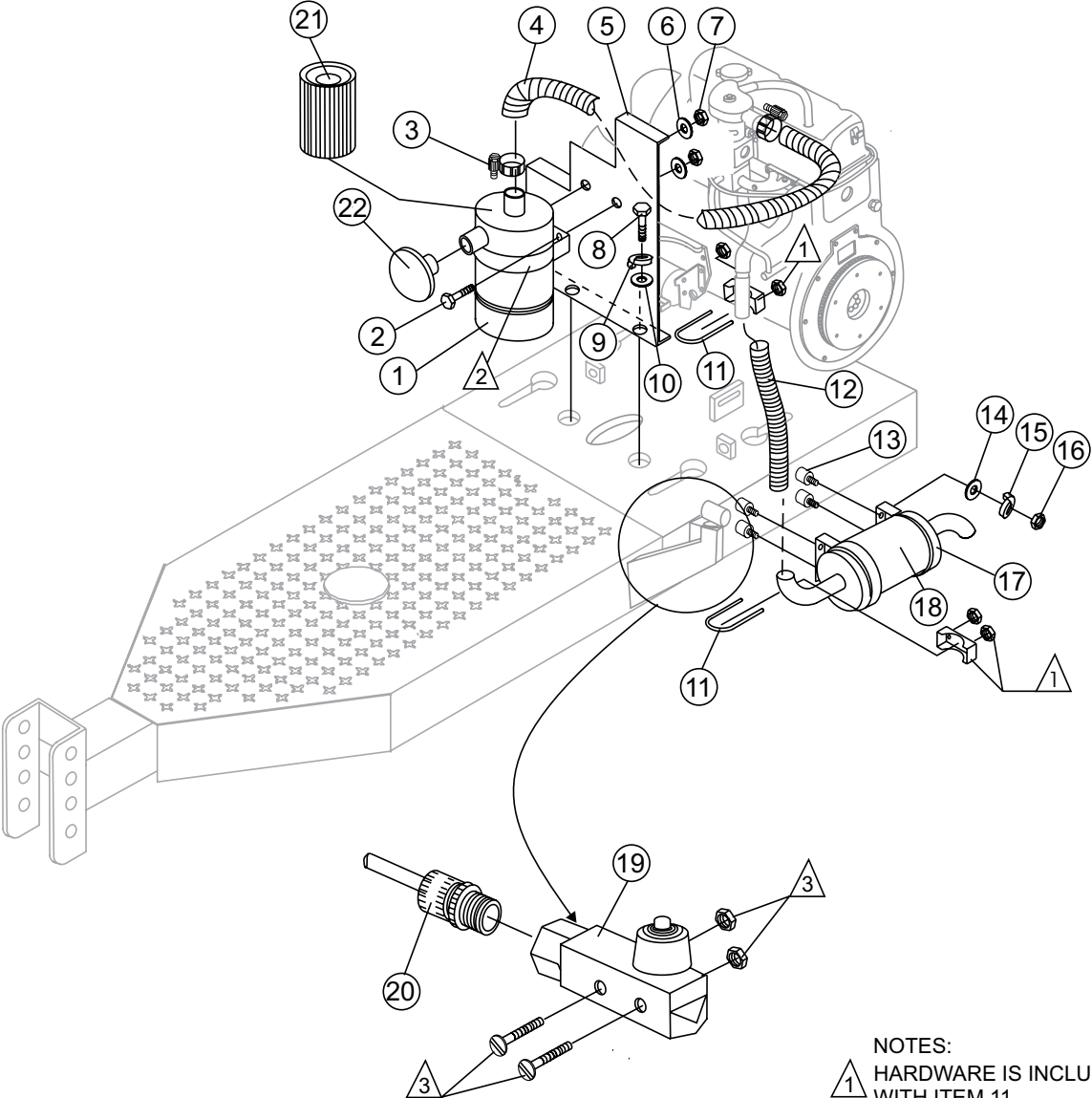


NOTES:
▲ TORQUE LUG NUTS PER LUG NUT TORQUE TABLE REFERENCED IN THIS MANUAL.
▲ FOR AXLE MOUNTING HARDWARE SEE FRAME ASSY

AXLE ASSY.

<u>NO.</u>	<u>PART NO.</u>	<u>PART NAME</u>	<u>QTY.</u>	<u>REMARKS</u>
1	EM26518	CAP 14" CHROME	2	
2	EM26615A	TIRE ASSY.....	2	INCLUDES ITEMS W/\$
3\$		WHEEL.....	2	CANNOT BE PURCHASED SEPARATELY
4\$		TIRE 14".....	2	CANNOT BE PURCHASED SEPARATELY
5#	EM26306	DUST COVER	2	
6#	EM968481	CASTLE NUT	2	
7	EM705	PIN, COTTER 3/16X1 1/2	2	
8#	EM26329	WASHER	2	
9#	EM903113	OUTER BEARING	2	
10#	EM903012	OUTER CUP	2	
11#	EM26519	NUT	12	
12#	EM20612	STUD	12	
13#	EM26300	HUB	2	
14#	EM903169	INNER CUP	2	
15#	EM903168	INNER BEARING	2	
16#	EM26305	GREASE SEAL	2	
17%	EM20601	HUB ASSEMBLY.....	2	INCLUDES ITEMS W/#
18%	EM14600	AXLE	1	
19	EM14600A	AXLE WITH HUBS INSTALLED.....	1	INCLUDES ITEMS W/%

MUFFLER, AIR FILTER, AND STOP SWITCH ASSY.

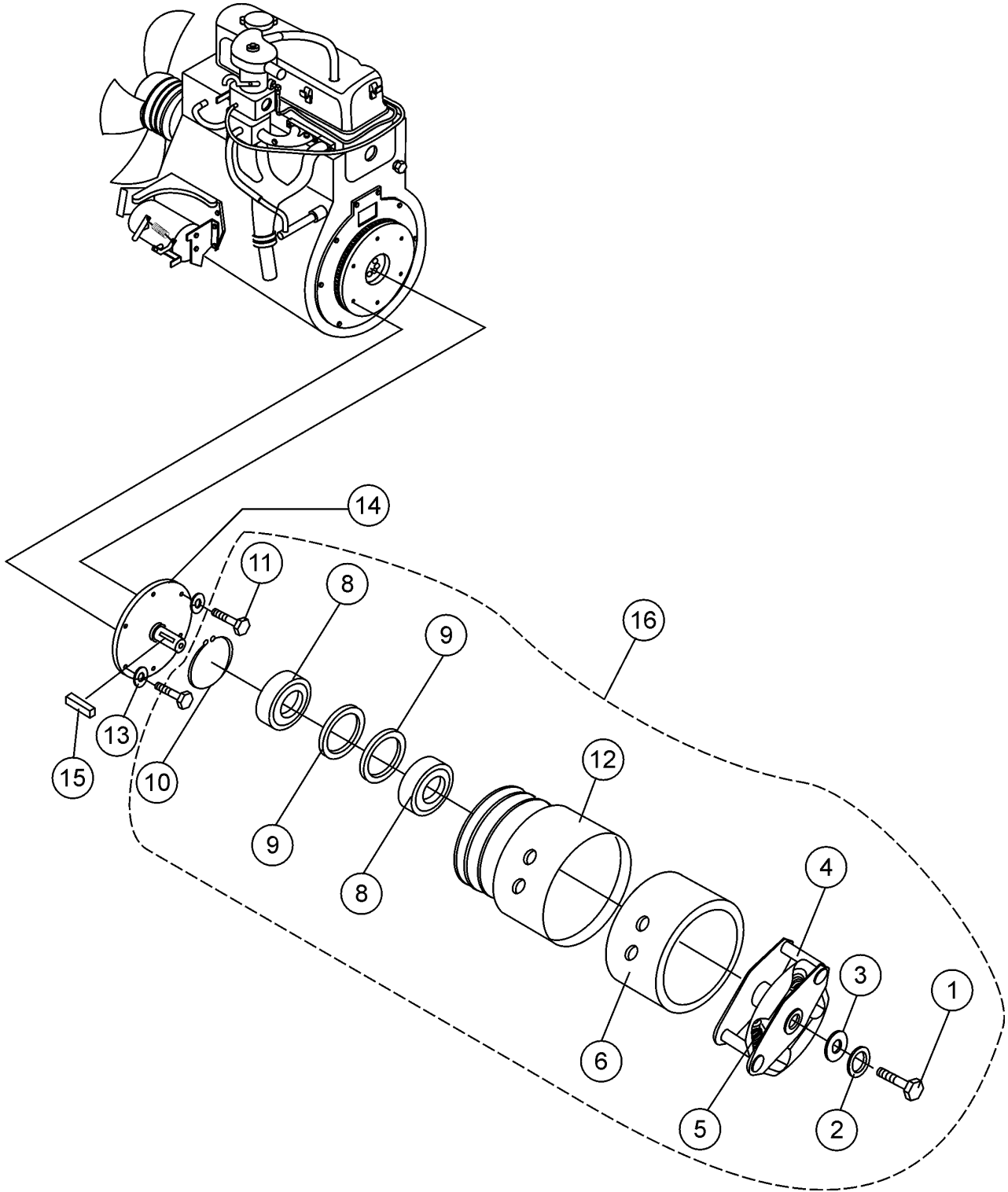


- NOTES:
- ① HARDWARE IS INCLUDED WITH ITEM 11.
 - ② AIR FILTER SUPPORT BRACKET IS INCLUDED WITH ITEM 1.
 - ③ STOP SWITCH MOUNTING HARDWARE IS INCLUDED WITH ITEM 19.

MUFFLER, AIR FILTER, AND STOP SWITCH ASSY.

<u>NO.</u>	<u>PART NO.</u>	<u>PART NAME</u>	<u>QTY.</u>	<u>REMARKS</u>
1	EM98076	FILTER, AIR	1	
2	492364	SCREW, HHC 5/16-18 X 1	2	
3	EM513126	CLAMP, AIR INTAKE	2	
4	EM513102	FLEX HOSE, AIR CLEANER	1	17.5" LENGTH 1-3/4 DIA.
5	EM513106	PANEL, FILTER SUPPORT	1	
6	EM492897	WASHER, FLAT 5/16	2	
7	492582	NUT, NYLOC 5/16-18	2	
8	EM963610	HHCS 3/8 X1 G5	2	
9	0166A	WASHER, LOCK	2	
10	3019092	WASHER, FLAT	2	
11	506257	U-BOLT	2	
12	EM513111	FLEX TUBING, MUFFLER	1	10" LENGTH 1-1/2 DIA.
13	EM513110	SHOCK MOUNT	4	
14	EM923057	WASHER, FLAT 1/4"	2	
15	2101402	WASHER, LOCK 1/4"	2	
16	TBD	NUT	4	
17	EM98078	CLAMP, 6" MUFFLER	2	
18	EM515598	MUFFLER	1	
19	EM14217	STOP SWITCH, ENGINE COVER	1	
20	EM491873	GLAND CONNECTOR	1	
21	ZE1	ELEMENT, AIR FILTER	1	
22	EM98162	PRE-CLEANER	1	

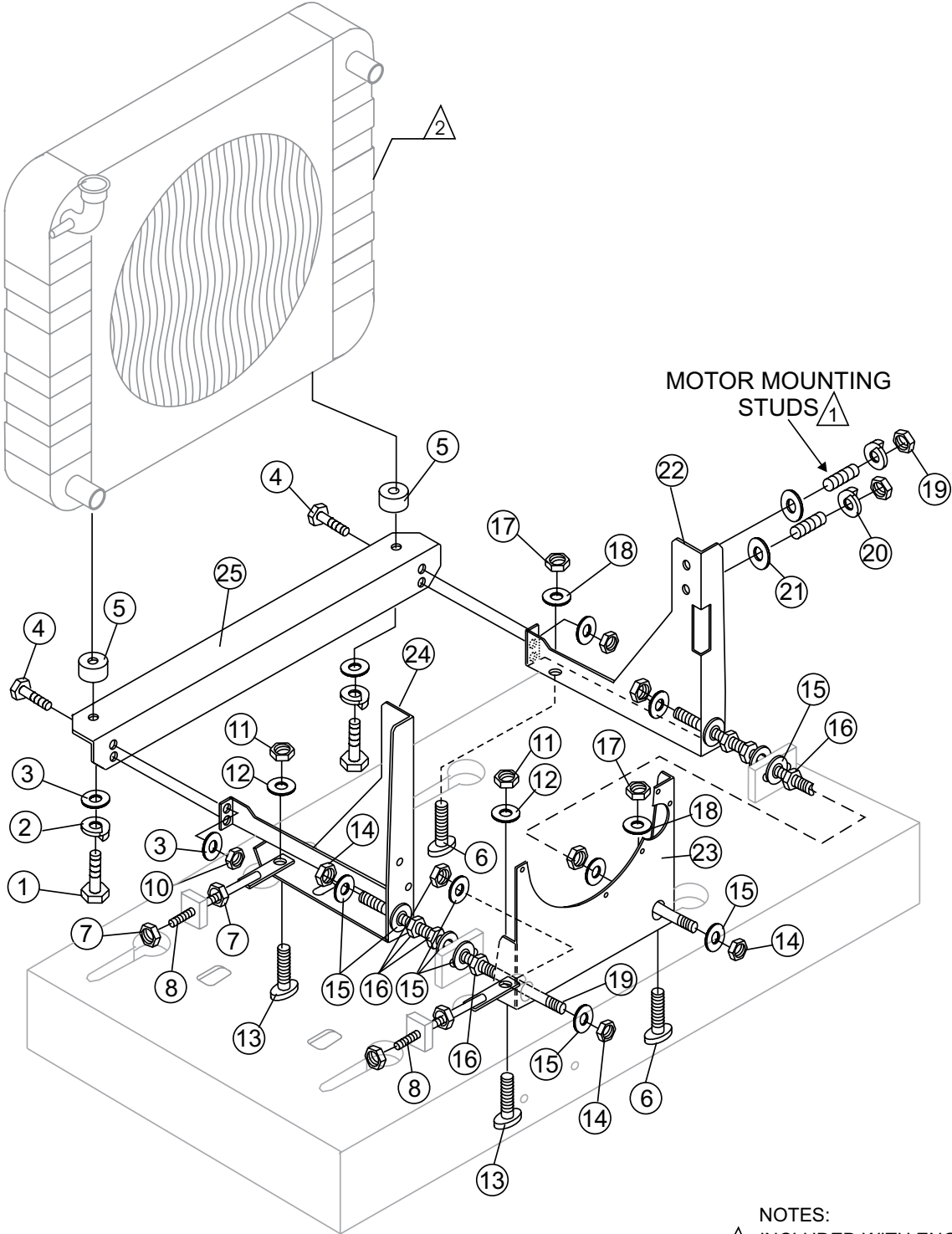
CLUTCH ASSY.



CLUTCH ASSY.

<u>NO.</u>	<u>PART NO.</u>	<u>PART NAME</u>	<u>QTY.</u>	<u>REMARKS</u>
1\$	492395	SCREW, HHC 1/2- 13X1-3/4"	1	
2\$	EM923346	WASHER, LOCK 1/2"	1	
3\$	EM621	WASHER, FLAT 1/2" SPECIAL	1	
4\$	EM26321	ROTOR ASSEMBLY	1	
5\$	EM918050	CLUTCH SPRING	2	
6\$	EM26310	CLUTCH LINING	1	
8\$	EM902204	CLUTCH BEARING	2	
9\$	EM926066	RETAINING RING	2	
10\$	EM926053	RETAINING RING	1	
11\$	EM508342	SCREW, HHC M8 X 25 PI.25	6	
12\$	EM26322	CLUTCH HOUSING W/LINING	1	
13	0166A	WASHER, LOCK 3/8"	6	
14	EM98071	SHAFT STUB (FLANGE), ENGINE	1	
15	EM26348	KEY	1	
16	EM14320	CLUTCH COMPLETE ASSEMBLY	1.....	INCLUDES ITEMS W/\$

RADIATOR AND ENGINE MOUNTING BRACKET ASSY.

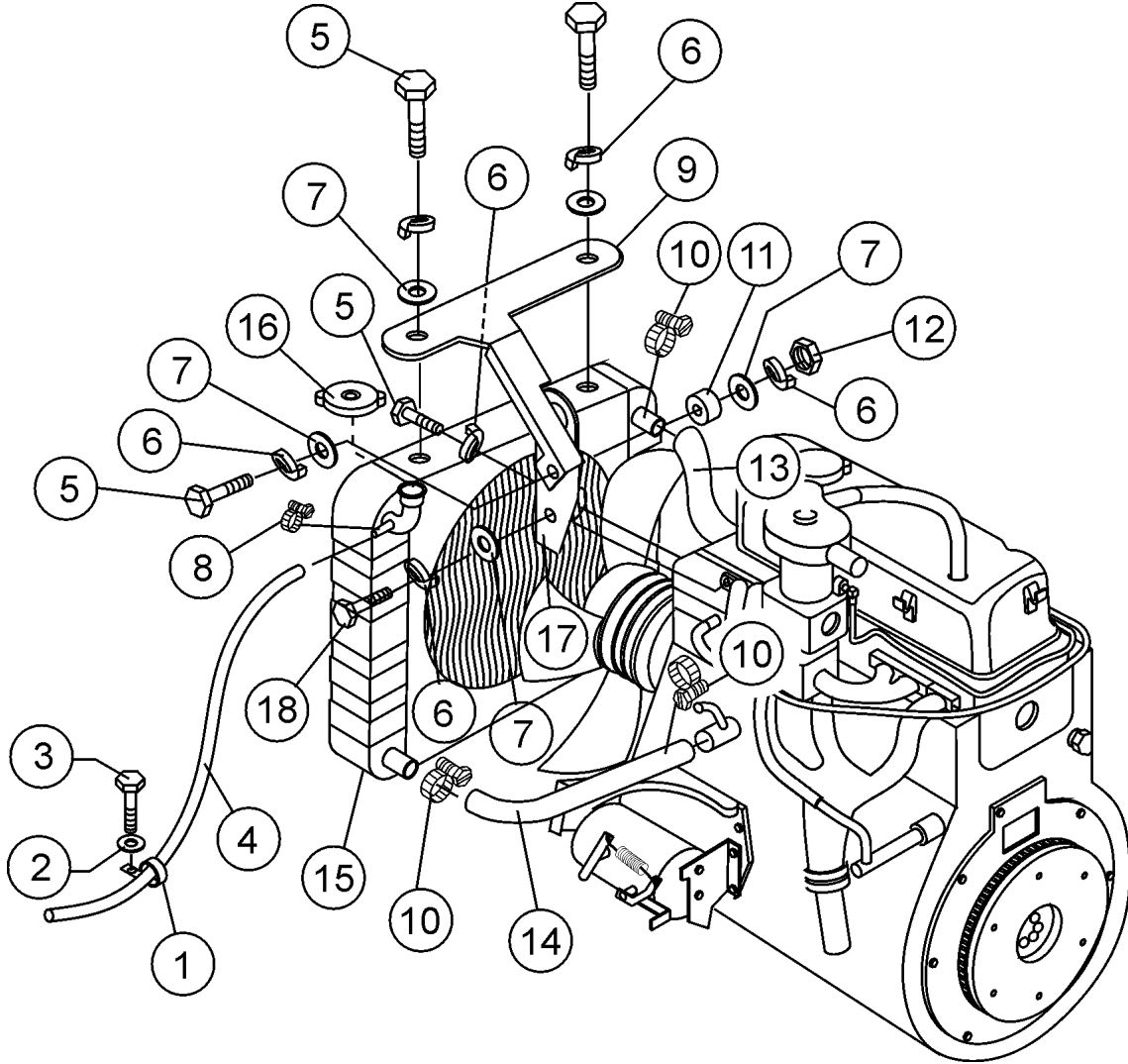


- NOTES:
- △ 1 INCLUDED WITH ENGINE.
 - △ 2 SEE RADIATOR ASSEMBLY

RADIATOR AND ENGINE MOUNTING BRACKET ASSY.

<u>NO.</u>	<u>PART NO.</u>	<u>PART NAME</u>	<u>QTY.</u>	<u>REMARKS</u>
1	EM64900014	SCREW, HHCS 3/8-16 X 7/8"	2	
2	EM64700071	WASHER, LOCK 3/8	2	
3	EM64700070	WASHER, FLAT .375 X .0734 X .065	6	
4	EM64900156	BOLT, HEX 5/16-16 X 1	4	
5	EM65500003	ISOLATOR 38 X 25, 3/8-16	2	
6	EM513094	SCREW, SQUARE 1/2-13 X 1-3/4"	2	
7	6109160	NUT, HEX 1/2-13	4	
8	EM513040	TENSIONER, ADJUSTMENT	2	
10	EM64800145	NUT, HEX 5/16-18`	4	
11	6109160	NUT, HEX 1/2-13	2	
12	6109180	WASHER, LOCK 1/2"	2	
13	513095	SCREW, SQUARE 1/2-13X2	2	
14	492584	NUT, NYLOC 1/2-13	4	
15	492600	WASHER, FLAT 1/2"	12	
16	6109160	NUT, HEX 1/2-13	8	
17	6109160	NUT, HEX 1/2-13	2	
18	6109180	WASHER, LOCK 1/2"	2	
19	EM64800124	NUT, HEX M8-1.25	2	
20	EM94700080	WASHER, LOCK 8 MM	2	
21	EM94700079	WASHER, FLAT 8 MM NARROW	2	
22	EM20200043	LEFT FRONT SUPPORT	1	
23	EM20100042	LEFT REAR SUPPORT	1	
24	EM20200042	LEFT RIGHT SUPPORT	1	
25	EM20500034	BRACKET, CROSS	1	

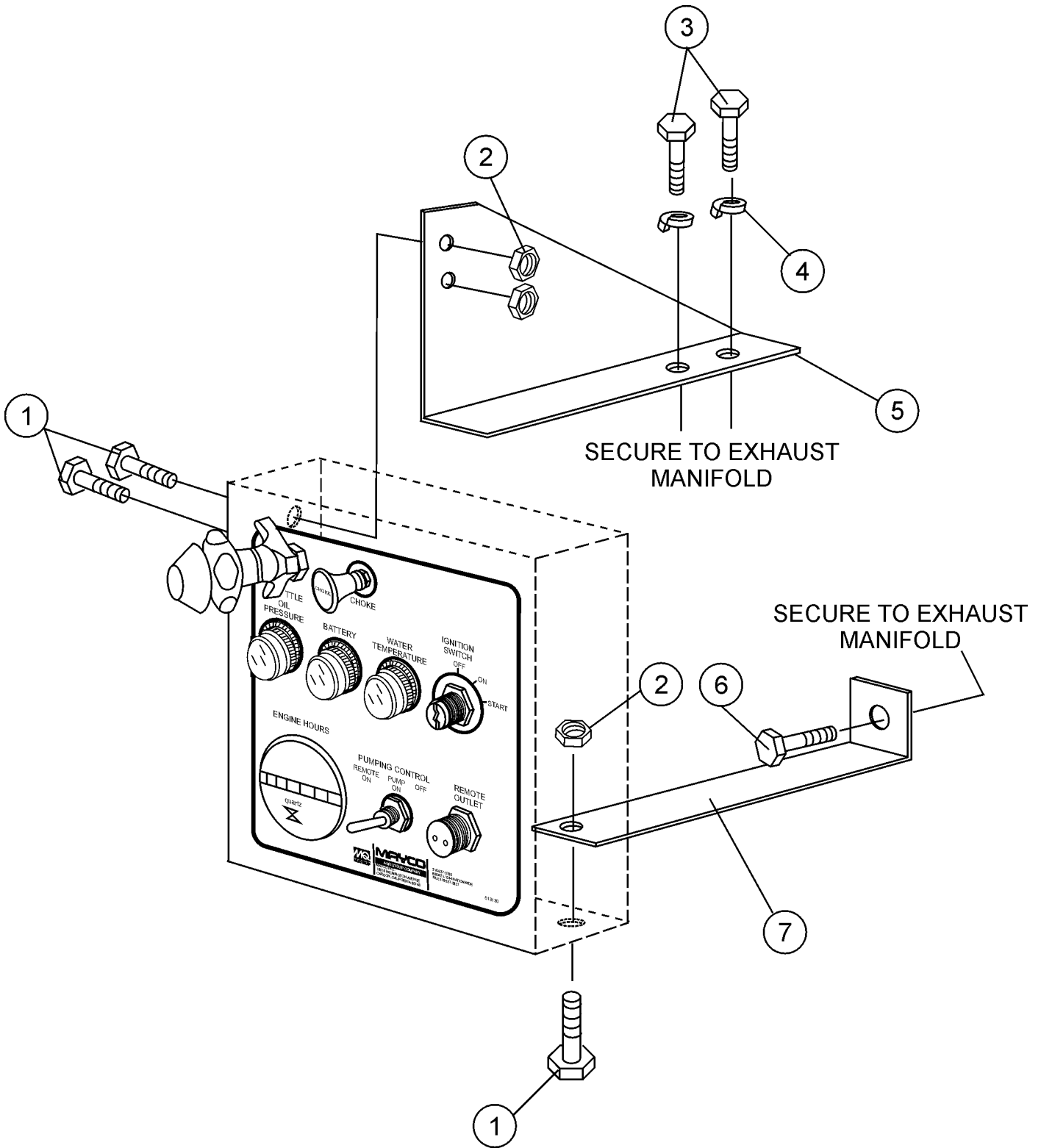
RADIATOR, MOUNTING BRACKET AND HOSES ASSY.



RADIATOR, MOUNTING BRACKET AND HOSES ASSY.

<u>NO.</u>	<u>PART NO.</u>	<u>PART NAME</u>	<u>QTY.</u>	<u>REMARKS</u>
1	EM513116	CLAMP, 1/2" HOSE	1	
2	2101402	WASHER, FLAT 1/4"	1	
3	492268	HHCS 1/4" x 3/4"	1	
4	EM20427	HOSE, OVERFLOW	1	
5	EM64900014	HHCS, 3/8 -16 x 7/8"	1	
6	EM94700071	WASHER, LOCK 3/8"	1	
7	EM64700070	WASHER, FLAT .375 x .0734 x .065"	1	
8	506208	CLAMP, HOSE	1	
9	EM21000092	BRACKET, UPPER RADIATOR	1	
10	EM68800003	CLAMP, HOSE WORM DRIVE	4	
11	EM65508003	ISOLATOR	1	
12	EM64800155	NUT, HEX 3/8-16	1	
13	EM98079	RADIATOR HOSE, UPPER	1	
14	EM98080	RADIATOR HOSE, LOWER	1	
15	EM98072	RADIATOR	1	
16	EM69300001	CAP, RADIATOR 13 PS1	1	
17	EM21000091	BRACKET, UPPER RADIATOR	1	ISOLATOR MOUNT
18	EM64900101	HHCS, M8-1.25 X 20	1	

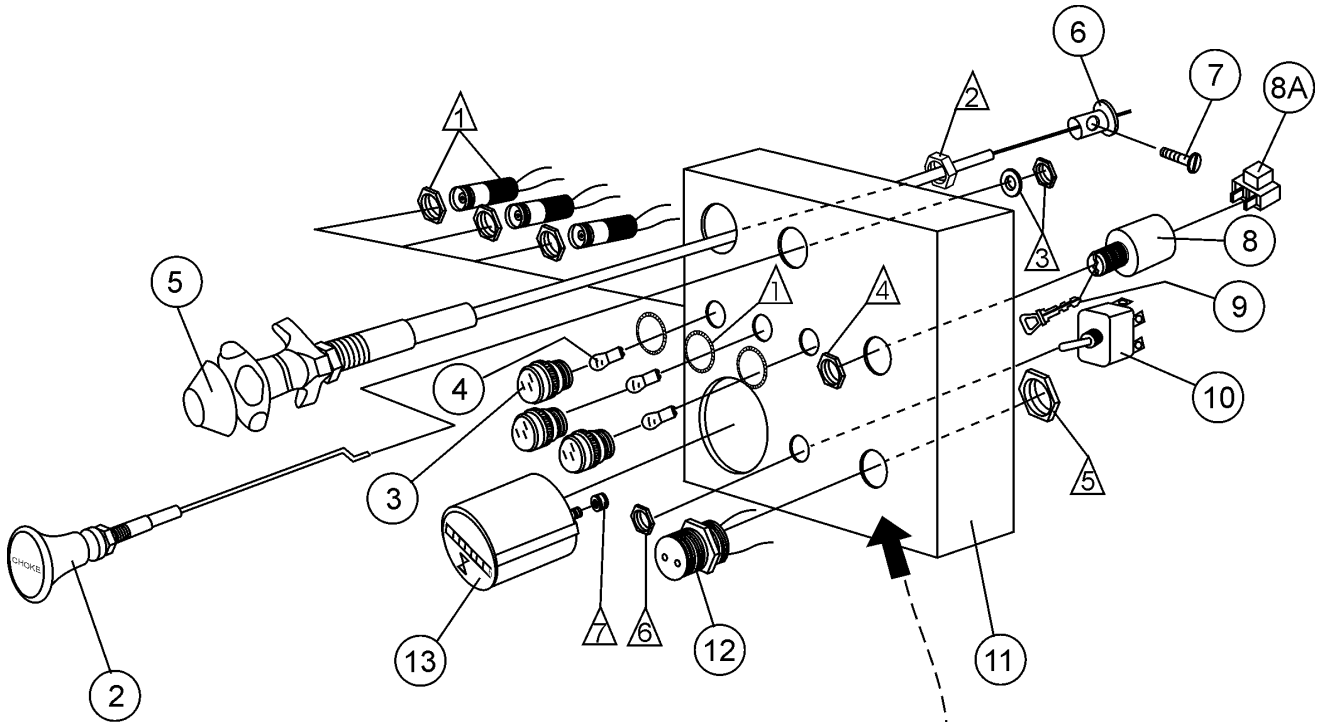
CONTROL BOX MOUNTING BRACKET ASSY.



CONTROL BOX MOUNTING BRACKET ASSY.

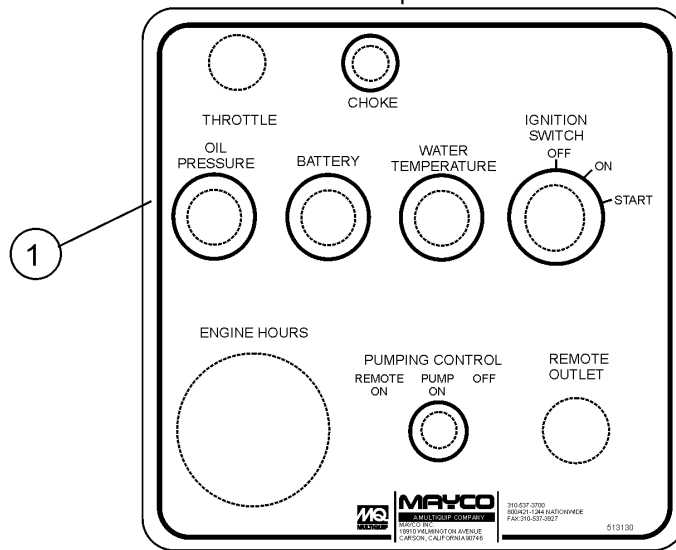
<u>NO.</u>	<u>PART NO.</u>	<u>PART NAME</u>	<u>QTY.</u>	<u>REMARKS</u>
1	492363	SCREW, HHC 5/16-18 X 3/4"	2	
2	492582	NUT, NYLOC 5/16-18	2	
3	EM509250	SCREW, HHC M6 X 20 P-1	2	
4	2101402	WASHER, LOCK 1/4"	2	
5	EM513096	SUPPORT, CONTROL PANEL	1	
6	EM492263	SCREW, ALLEN 3/8-16 X 3/4"	1	
7	EM513093	SUPPORT, CONTROL PANEL LOWER	1	

CONTROL BOX ASSY.



NOTES:

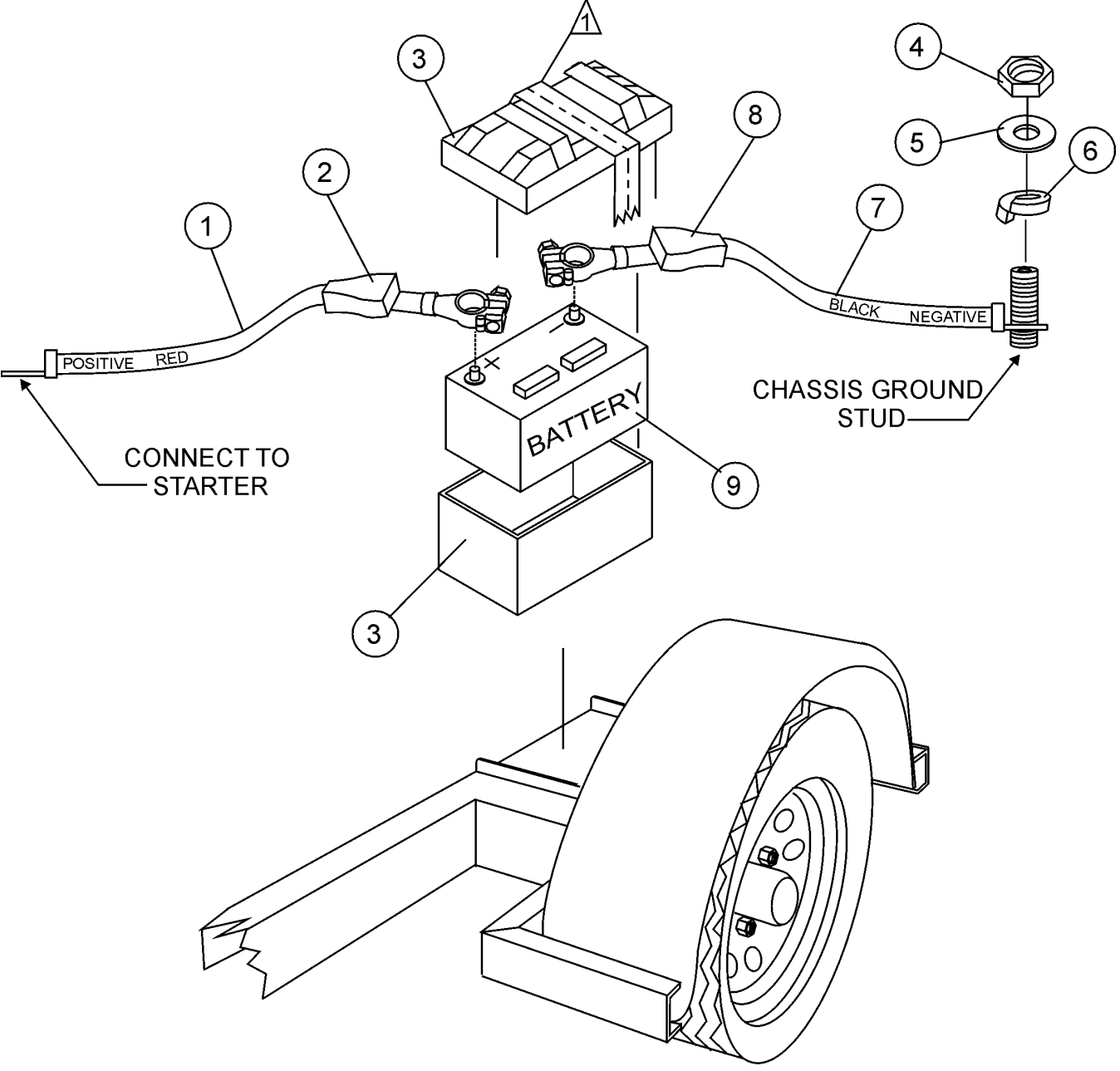
- ▲ INCLUDED WITH ITEM 3,
1 PILOT LAMP ASSY. P/N 513099
- ▲ INCLUDED WITH ITEM 5,
2 THROTTLE CABLE P/N 510229
- ▲ INCLUDED WITH ITEM 2,
3 CHOKE CABLE P/N 506239
- ▲ INCLUDED WITH ITEM 8,
4 IGNITION SWITCH P/N 506267
- ▲ INCLUDED WITH ITEM 12,
5 REMOTE OUTLET PLUG P/N 26789
- ▲ INCLUDED WITH ITEM 10,
6 PUMPING CONTROL SWITCH P/N 40711
- ▲ INCLUDED WITH ITEM 13.
7 HOUR METER P/N 506222



CONTROL BOX ASSY.

<u>NO.</u>	<u>PART NO.</u>	<u>PART NAME</u>	<u>QTY.</u>	<u>REMARKS</u>
1	EM513130	FRONT PANEL OVERLAY	1	
2	506239	CHOKE CABLE ASSY.	1	
3	12305	RED PILOT LENS DIA. 5/8"	3	
4	51908	12 VDC BULB	3	
5	510229	THROTTLE CABLE ASSY.	1	
6	EM501102	SLEEVE, ACCELERATOR COUPLING	1	
7	EM491089	SCREW, 1/4"	1	
8	10958	IGNITION SWITCH	1	
8A	508239	CONNECTOR, PLASTIC	1	
9	11078	IGNITION SWITCH KEY	1	
10	EM40711	SWITCH, PUMPING CONTROL	1	
11	EM513076	CONTROL BOX	1	
12	EM26789	RECEPTACLE (REMOTE)	1	
13	506222	HOUR METER	1	

BATTERY ASSY.

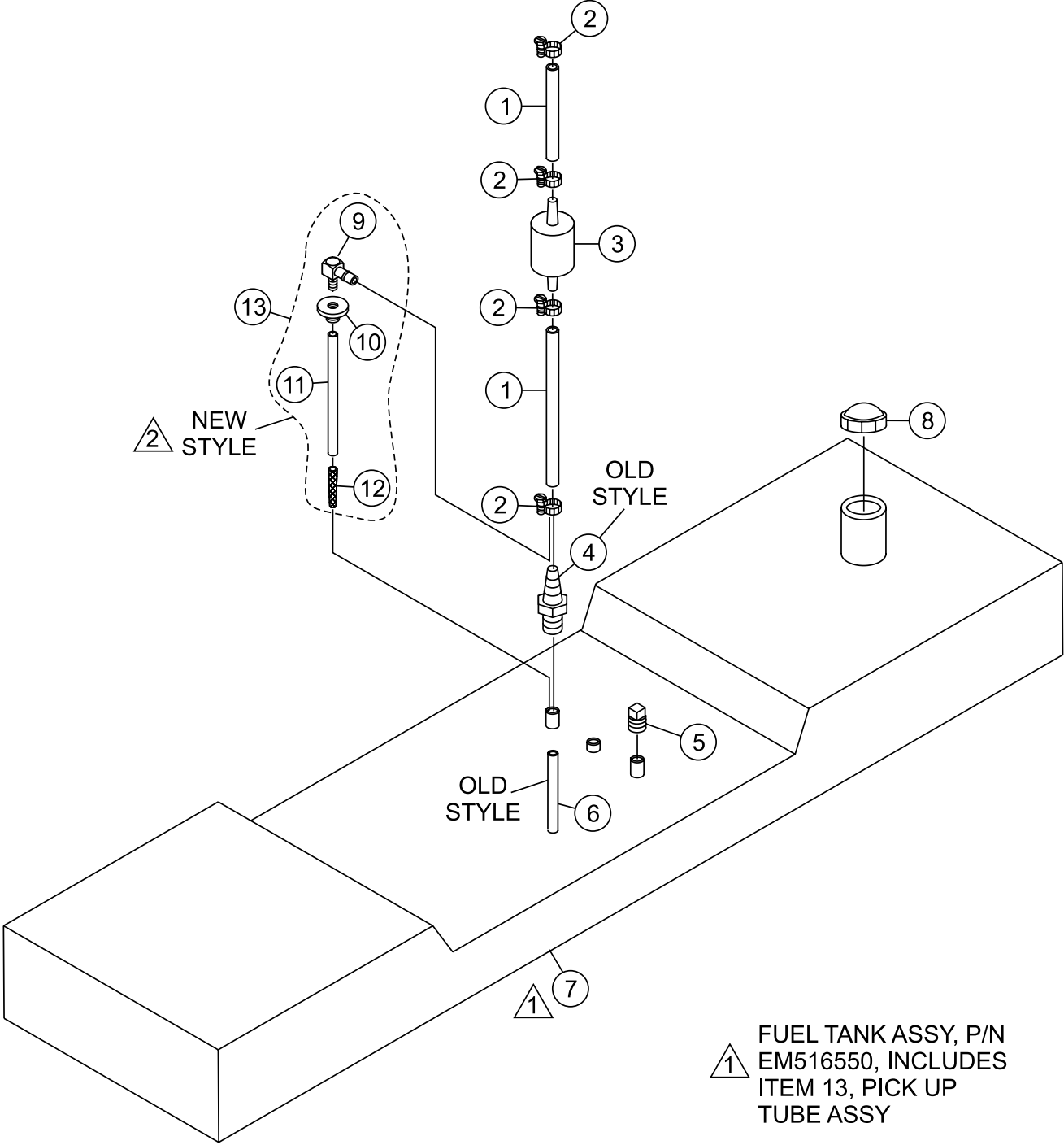


NOTES:
⚠ BATTERY HOLD-DOWN STRAP IS INCLUDED WITH ITEM 3, P/N 34506

BATTERY ASSY.

<u>NO.</u>	<u>PART NO.</u>	<u>PART NAME</u>	<u>QTY.</u>	<u>REMARKS</u>
1	EM14705	CABLE, POSITIVE BATTERY	1	
2	EM506266	COVER, POSITIVE TERMINAL	1	
3	10318	BOX, BATTERY	1	
4	EM492541	NUT, HEX 5/16-18	1	
5	EM923023	WASHER, FLAT 5/16	1	
6	EM923343	WASHER, LOCK 5/16	1	
7	EM20720	CABLE, NEGATIVE BATTERY	1	
8	EM505624	COVER, NEGATIVE TERMINAL	1	
9	EM491344	BATTERY, 12 VOLT	1	

FUEL TANK ASSY.



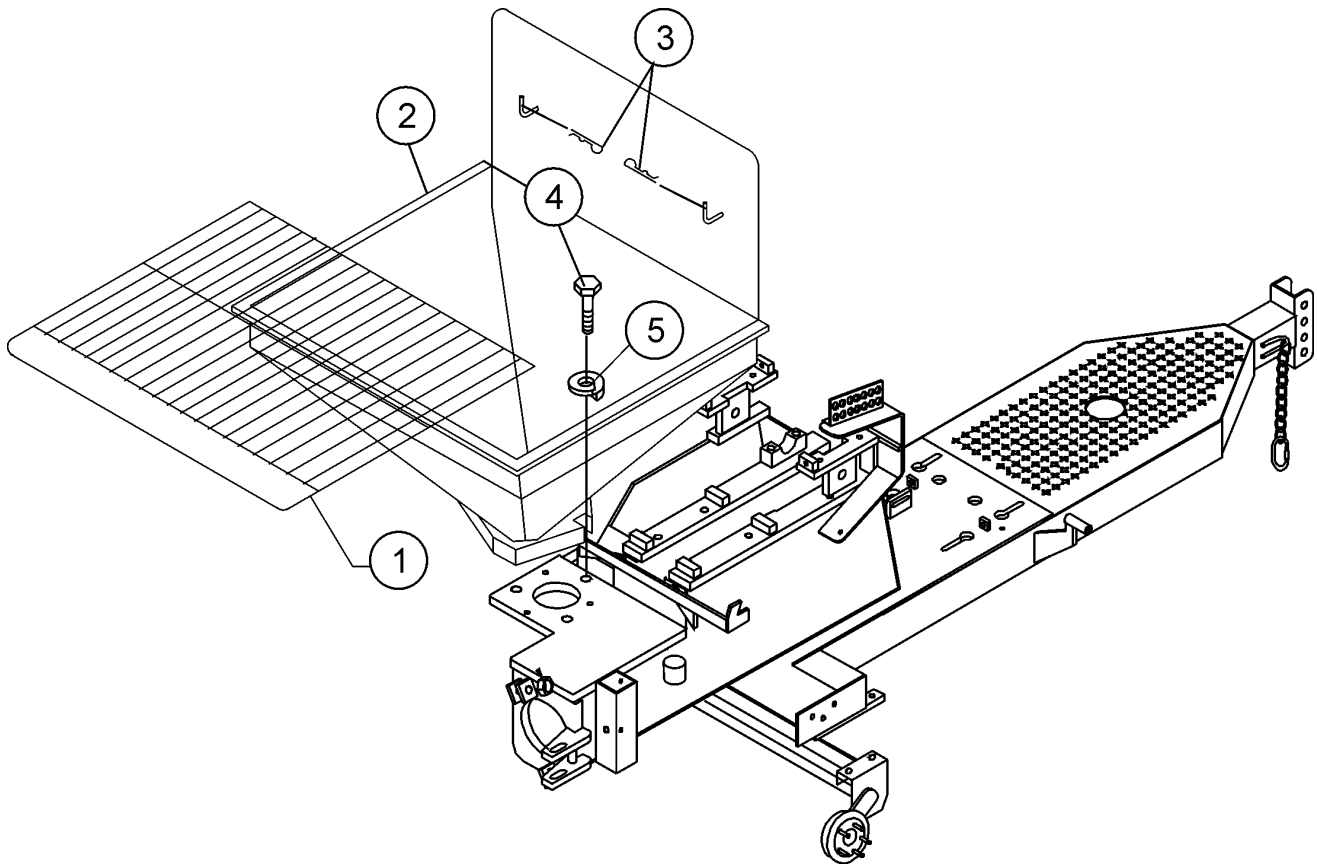
△ 1 FUEL TANK ASSY, P/N EM516550, INCLUDES ITEM 13, PICK UP TUBE ASSY

△ 2 ITEM 13, PICK UP TUBE ASSY, REPLACED ITEM 6, PIPE, AND ITEM 4, ADAPTER AFTER JULY 2005.

FUEL TANK ASSY.

<u>NO.</u>	<u>PART NO.</u>	<u>PART NAME</u>	<u>QTY.</u>	<u>REMARKS</u>
1	EM20427	HOSE, FUEL	1	
2	506208	CLAMP, HOSE	1	
3	EM20763	FILTER, FUEL	1	
4	EM513115	ADAPTER.....	1.....	BEFORE JULY 2005
5	EM491210	PLUG, 1/4"	1	
6	EM505594	PIPE, 5/16" COPPER.....	1.....	BEFORE JULY 2005
7	514722	FUEL TANK.....	1.....	BEFORE JULY 2005
7	EM516550	FUEL TANK.....	1.....	INCLUDES ITEM 13 AFTER JULY 2005
8	2108	FUEL CAP	1	
9#	12008	FITTING.....	1.....	AFTER JULY 2005
10#	19633	BUSHING.....	1.....	AFTER JULY 2005
11#	60058	HOSE, 4-1/2".....	1.....	AFTER JULY 2005
12#	12009	SCREEN.....	1.....	AFTER JULY 2005
13	EM516533	PICK UP TUBE ASSEMBLY.....	1.....	INCLUDES ITEMS W/# AFTER JULY 2005

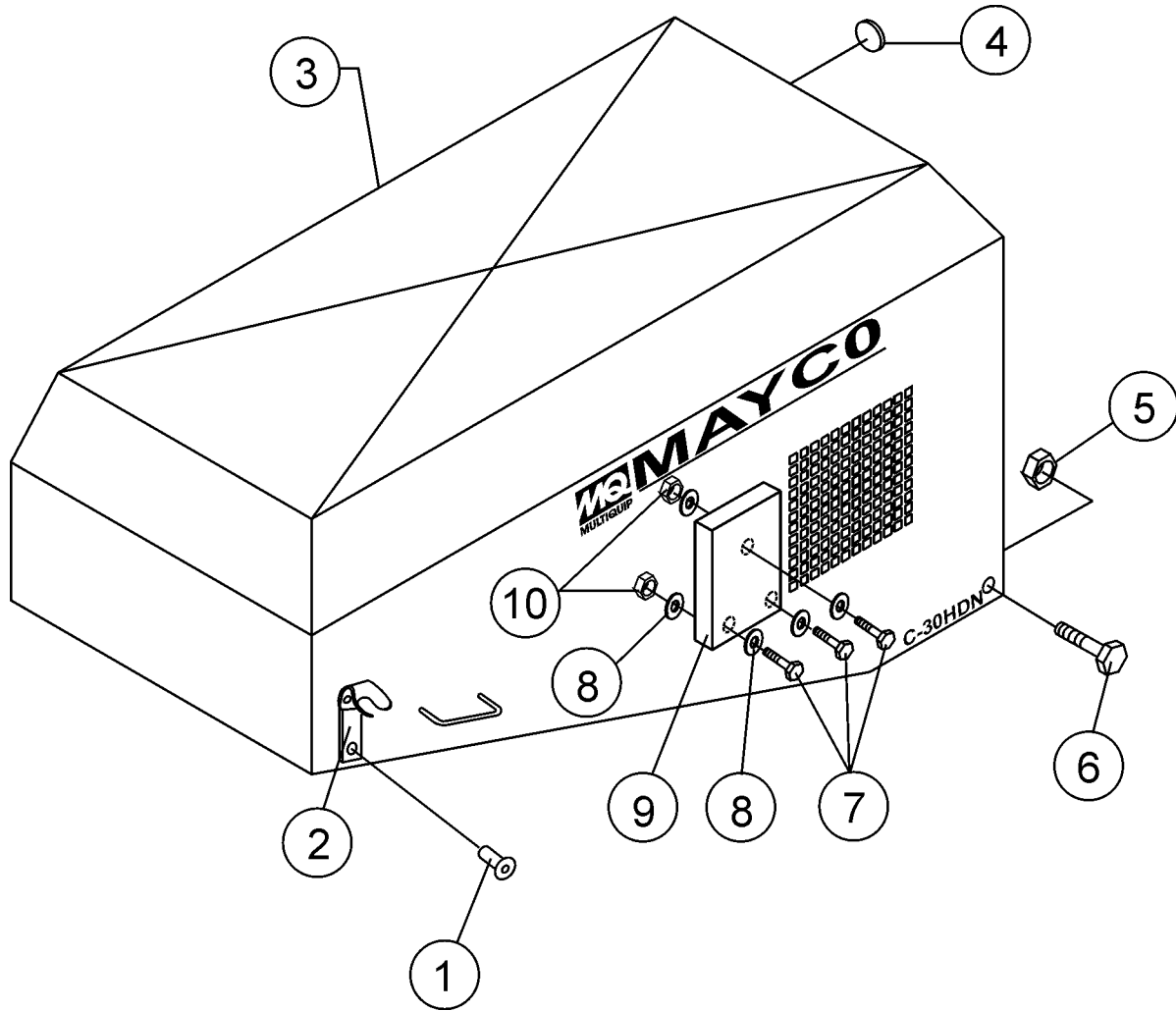
HOPPER ASSY.



HOPPER ASSY.

<u>NO.</u>	<u>PART NO.</u>	<u>PART NAME</u>	<u>QTY.</u>	<u>REMARKS</u>
1	EM14159	HOPPER SCREEN	1	
2	EM14141	HOPPER	1	
3	EM925191	PIN, HAIR	2	
4	EM104	BOLT, 5/8"-11X2" HEX HEAD	3	
5	EM507599	WASHER 5/8" FLAT	3	

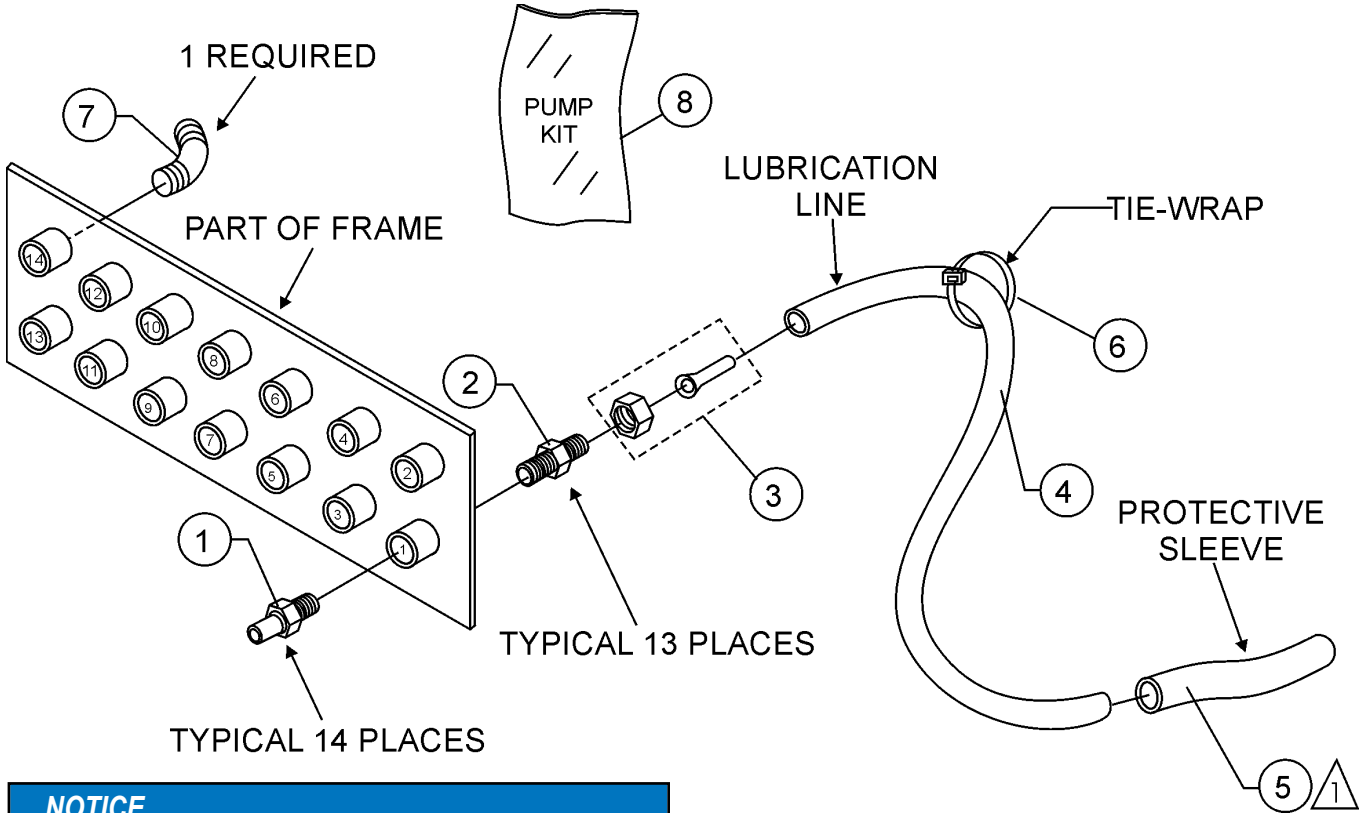
HOOD ASSY.



HOOD ASSY.

<u>NO.</u>	<u>PART NO.</u>	<u>PART NAME</u>	<u>QTY.</u>	<u>REMARKS</u>
1	503723	RIVET	4	
2	491010	LATCH KIT	2	
3	EM513120	HOOD ASSY.	1	
4	490937	BUMPER, RUBBER	2	
5	EM406	NUT 1/2"-13 HEAVY HEX	2	
6	EM124	BOLT 1/2" DIA-NC X4" G5	2	
7	EM963003	SCREW, HHC 1/4-20 X 3/4	3	
8	EM923057	WASHER	3	
9	29057	MANUAL HOLDER	1	
10	EM969079	NUT LOC NYLON 1/4	3	
	RAL1003S	PAINT, SPRAY CAN 12 OZ. (YELLOW)	AR	
	RAL1003G	PAINT, GALLON (YELLOW)	AR	

LUBRICATION PANEL ASSY.



NOTICE

Grease daily, two or three shots of #2 multi-purpose automotive grease. Over greasing any bearing will not damage the machine.

NOTES:

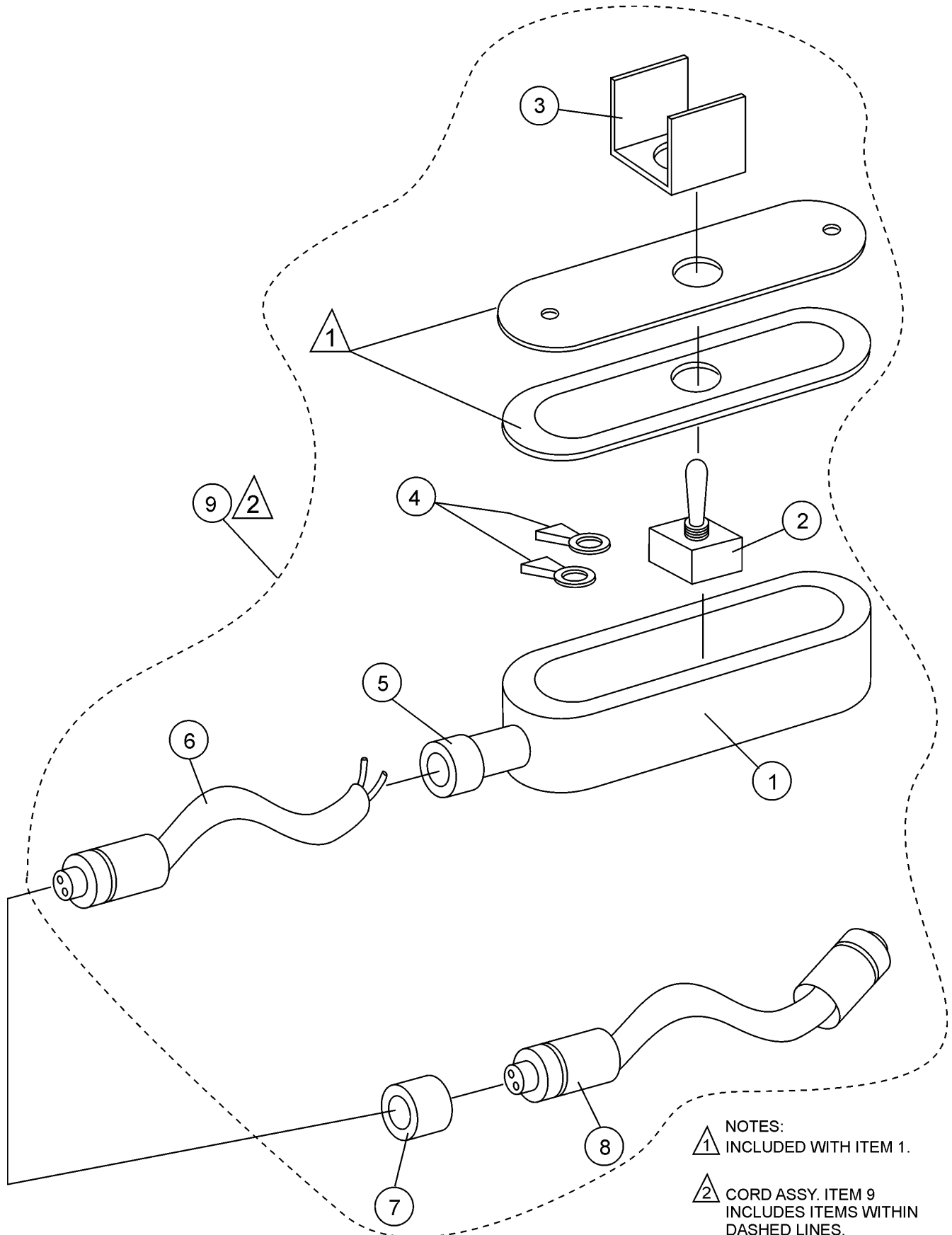
△ PLACE PROTECTIVE SLEEVE OVER LUBRICATION LINES 1 THROUGH 6.

<u>POSITION</u>	<u>LOCATION</u>	<u>LENGTH OF LINES</u>
1.....	COMPENSATOR ROD.....	28 IN.
2.....	COMPENSATOR ROD.....	31 IN.
3.....	COMPENSATOR ROD.....	28 IN.
4.....	LOWER ROCKER ARM COMPENSATOR ROD.....	34 IN.
5.....	LOWER CONNECTING ROD-DRIVE SIDE.....	10 IN.
6.....	LOWER ROCKER ARM-DRIVE SIDE.....	15 IN.
7.....	UPPER ROCKER ARM-COMPENSATOR SIDE.....	28 IN.
8.....	UPPER ROCKER ARM-DRIVE SIDE.....	26 IN.
9.....	COUNTER SHAFT BEARING-SPROCKET SIDE.....	20 IN.
10.....	COUNTER SHAFT-PULLEY SIDE.....	20 IN.
11.....	UPPER CONNECTING ROD-DRIVE SIDE.....	40 IN.
12.....	CRANKSHAFT BEARING BLOCK.....	42 IN.
13.....	CAM BEARING.....	42 IN.
14.....	CRANKSHAFT BEARING FLANGE.....	20 IN.
	TOTAL LENGTH OF LINES REQUIRED.....	384 IN.

LUBRICATION PANEL ASSY.

<u>NO.</u>	<u>PART NO.</u>	<u>PART NAME</u>	<u>QTY.</u>	<u>REMARKS</u>
1\$	EM916001	FITTING, GREASE 1/8" NPT	14	
2\$	EM505489	STRAIGHT FITTING 1/8" NPT	13	
3\$	505534	COUPLING W/NUT 1/8' NPT	14	
4\$	EM505516	PLASTIC HOSE LINE 1/4" DIA.....	AR	1 FT = 1 PC
5\$	EM490531	PROTECTIVE SLEEVE 3/8" (HOSE)	AR	1 FT = 1 PC
6\$	EM491028	TIE-WRAP 2.5 X 95 MM	AR	
7\$	EM505490	ADAPTER, 90 DEGREE ELBOW	1	
8	EM512659	KIT, LUBRICATION.....	1.....	INCLUDES ITEMS W/\$

REMOTE CONTROL CABLE ASSY.

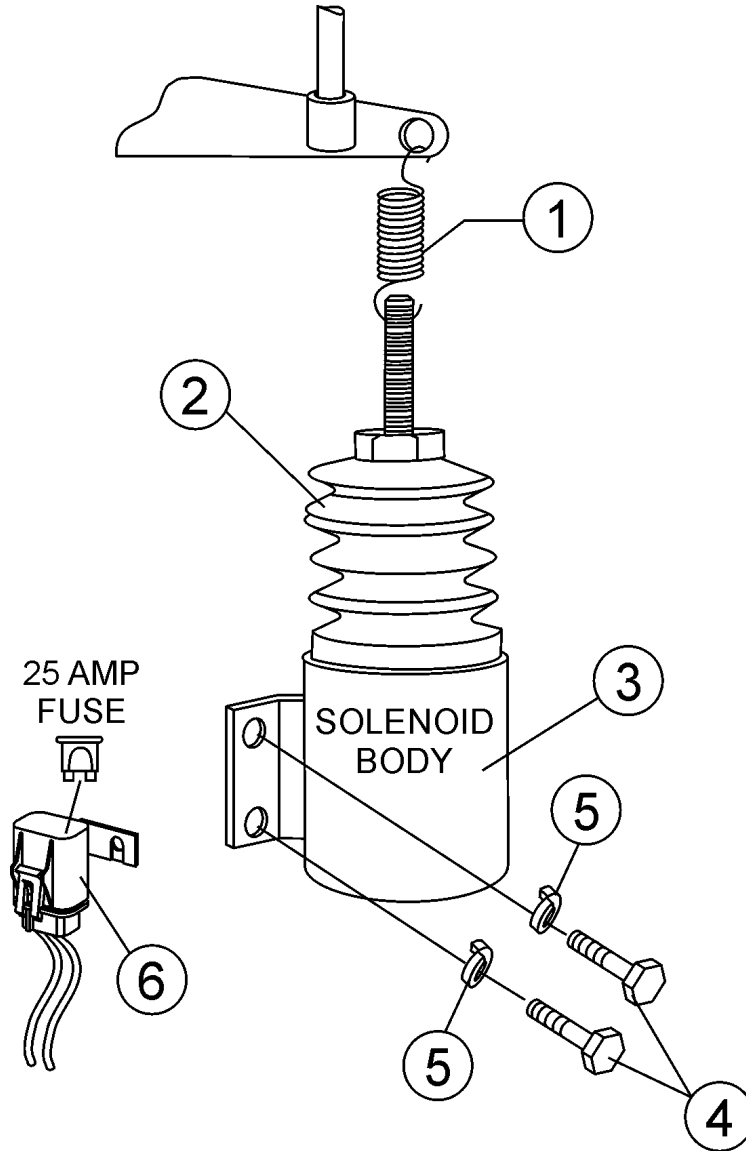


- NOTES:
- △ 1 INCLUDED WITH ITEM 1.
 - △ 2 CORD ASSY. ITEM 9 INCLUDES ITEMS WITHIN DASHED LINES.

REMOTE CONTROL CABLE ASSY.

<u>NO.</u>	<u>PART NO.</u>	<u>PART NAME</u>	<u>QTY.</u>	<u>REMARKS</u>
1\$	EM16753	JUNCTION BOX	1	
2\$	EM16754	SWITCH, MICRO	1	
3\$	EM16756	GUARD SWITCH-ALUMINUM	1	
4\$	EM491897	CONNECTOR, 3/16 RING	2	
5\$	EM26791	GRIP CORD SEAL	1	
6\$	EM26790	CORD 25' MX P/E	1	
7	EM26793	ADAPTER CORD GRIP 1/2"	1	
8	EM26792	ADAPTER CORD 100 FT.	1	
9	EM26788	REMOTE W/25' CORD "ONLY"	1.....	INCLUDES ITEMS W/\$

SOLENOID AND FUSEHOLDER ASSY.



SOLENOID AND FUSEHOLDER ASSY.

<u>NO.</u>	<u>PART NO.</u>	<u>PART NAME</u>	<u>QTY.</u>	<u>REMARKS</u>
1	EM98139	SPRING	1	
2\$	EM207092	BOOT SOLENOID	1	
3	EM207091D	+12 VDC SOLENOID.....	1.....	INCLUDES ITEM W/\$
4	492254	HHCS 1/4" NC X 3/4" NG	1	
5	492622	WASHER, LOCK 1/4"	2	
6	EM98066	FUSE HOLDER (25 AMP FUSE)	1	

PARTS MANUAL

HERE'S HOW TO GET HELP

PLEASE HAVE THE MODEL AND SERIAL
NUMBER ON-HAND WHEN CALLING

UNITED STATES

Multiquip Inc.

(310) 537- 3700
6141 Katella Avenue Suite 200
Cypress, CA 90630
E-MAIL: mq@multiquip.com
WEBSITE: www.multiquip.com

CANADA

Multiquip

(450) 625-2244
4110 Industriel Boul.
Laval, Quebec, Canada H7L 6V3
E-MAIL: infocanada@multiquip.com

UNITED KINGDOM

Multiquip (UK) Limited Head Office

0161 339 2223
Unit 2, Northpoint Industrial Estate,
Globe Lane,
Dukinfield, Cheshire SK16 4UJ
E-MAIL: sales@multiquip.co.uk

© COPYRIGHT 2024, MULTIQUIP INC.

Multiquip Inc, the MQ logo are registered trademarks of Multiquip Inc. and may not be used, reproduced, or altered without written permission. All other trademarks are the property of their respective owners and used with permission.

This manual MUST accompany the equipment at all times. This manual is considered a permanent part of the equipment and should remain with the unit if resold.

The information and specifications included in this publication were in effect at the time of approval for printing. Illustrations, descriptions, references and technical data contained in this manual are for guidance only and may not be considered as binding. Multiquip Inc. reserves the right to discontinue or change specifications, design or the information published in this publication at any time without notice and without incurring any obligations.

