

# PARTS MANUAL



## **MAYCO SERIES MODEL C30HDNI CONCRETE PUMP (ZENITH FUEL INJECTION)**

Revision #12 (09/18/24)

To find the latest revision of this publication or associated operation manual, visit our website at: [www.multiquip.com](http://www.multiquip.com)



THIS MANUAL MUST ACCOMPANY THE EQUIPMENT AT ALL TIMES.

# TABLE OF CONTENTS

## C30HDNI Concrete Pump

Explanation Of Code In Remarks Column..... 4  
Suggested Spare Parts ..... 5

### Component Drawings

Nameplate And Decals Assembly..... 6-7  
Compensator Piston Rod Assembly ..... 8-9  
Connecting Rod - Drive Side Assembly..... 10-11  
Rocker Assembly ..... 12-13  
Countershaft Assembly..... 14-15  
Crankshaft Assembly ..... 16-17  
Manifold Assembly..... 18-19  
Frame Assembly ..... 20-21  
Axle Assembly ..... 22-23  
Muffler, Air Filter, And Stop Switch Assembly ... 24-25  
Clutch Assembly ..... 26-27  
Radiator And Engine Mounting Bracket Assy. ... 28-29  
Radiator, Mounting Bracket And Hoses Assy. .. 30-31  
Control Box Assembly ..... 32-33  
Battery Assembly ..... 34-35  
Fuel Tank Assembly ..... 36-37  
Hopper Assembly ..... 38-39  
Hood Assembly..... 40-41  
Lubrication Panel Assembly ..... 42-43  
Remote Control Cable Assembly ..... 44-45  
Zenith Fuel Injection System Assembly..... 46-47

**NOTICE**

Part numbers are subject to change without notice.



# EXPLANATION OF CODE IN REMARKS COLUMN

The following section explains the different symbols and remarks used in the Parts section of this manual. Use the help numbers found on the back page of the manual if there are any questions.

## NOTICE

The contents and part numbers listed in the parts section are subject to change without notice. Multiquip does not guarantee the availability of the parts listed.

## SAMPLE PARTS LIST

NO.	PART NO.	PART NAME	QTY.	REMARKS
1	12345	BOLT .....	1	INCLUDES ITEMS W/%
2%		WASHER, 1/4 IN. ....		NOT SOLD SEPARATELY
2%	12347	WASHER, 3/8 IN. ...	1	MQ-45T ONLY
3	12348	HOSE .....	A/R	MAKE LOCALLY
4	12349	BEARING .....	1	S/N 2345B AND ABOVE

## NO. Column

**Unique Symbols** — All items with same unique symbol (@, #, +, %, or >) in the number column belong to the same assembly or kit, which is indicated by a note in the “Remarks” column.

**Duplicate Item Numbers** — Duplicate numbers indicate multiple part numbers, which are in effect for the same general item, such as different size saw blade guards in use or a part that has been updated on newer versions of the same machine.

## NOTICE

When ordering a part that has more than one item number listed, check the remarks column for help in determining the proper part to order.

## PART NO. Column

**Numbers Used** — Part numbers can be indicated by a number, a blank entry, or TBD.

TBD (To Be Determined) is generally used to show a part that has not been assigned a formal part number at the time of publication.

A blank entry generally indicates that the item is not sold separately or is not sold by Multiquip. Other entries will be clarified in the “Remarks” Column.

## QTY. Column

**Numbers Used** — Item quantity can be indicated by a number, a blank entry, or A/R.

A/R (As Required) is generally used for hoses or other parts that are sold in bulk and cut to length.

A blank entry generally indicates that the item is not sold separately. Other entries will be clarified in the “Remarks” Column.

## REMARKS Column

Some of the most common notes found in the “Remarks” Column are listed below. Other additional notes needed to describe the item can also be shown.

**Assembly/Kit** — All items on the parts list with the same unique symbol will be included when this item is purchased.

Indicated by:

“INCLUDES ITEMS W/(unique symbol)”

**Serial Number Break** — Used to list an effective serial number range where a particular part is used.

Indicated by:

“S/N XXXXX AND BELOW”

“S/N XXXX AND ABOVE”

“S/N XXXX TO S/N XXX”

**Specific Model Number Use** — Indicates that the part is used only with the specific model number or model number variant listed. It can also be used to show a part is NOT used on a specific model or model number variant.

Indicated by:

“XXXXX ONLY”

“NOT USED ON XXXX”

**“Make/Obtain Locally”** — Indicates that the part can be purchased at any hardware shop or made out of available items. Examples include battery cables, shims, and certain washers and nuts.

**“Not Sold Separately”** — Indicates that an item cannot be purchased as a separate item and is either part of an assembly/kit that can be purchased, or is not available for sale through Multiquip.

## SUGGESTED SPARE PARTS

### C30HDNI CONCRETE PUMP WITH ZENITH FUEL INJECTION SYSTEM

#### 1 unit

Qty.	P/N	Description
6	EM14904	PISTON CUP KITS
4	EM18804	4-1/2" STEEL BALL
4	EM14818	4" STEEL BALL
6	EM14903	BALL STOP PIN KIT
10	EM18801	O-RING MANIFOLD
1	EM14308	CHAIN
2	EM26313	HALF LINK
2	EM26314	MASTER LINK
1	EM14334	COMPENSATOR SPRING
2	EM14408	BRONZE RING
2	EM903092	CAM ROLLER BEARING
2	EM14315	V-BELT
2	EM14842	LOWER SEAT
2	EM14843	UPPER SEAT
2	EM26310	CLUTCH LINING
10	EM18409	O-RING
2	EM20763	FUEL FILTER
2	EM20328TKIT	BEARING KIT
1	EM28004DD	REDUCER 3" X 2"
1	EM23946	3" ELBOW
2	EM28904	3" CLAMP
4	EM289041	3" GASKETS
1	EM14159	HOPPER SCREEN
8	22401M7714	SPARK PLUG
4	1520855400	ELEMENT, OIL
1	11920H9915	V-BELT, GOVERNOR
1	2215723G15	ROTOR ASSY., ENGINE
1	2211577A11	SIGNAL ROTOR SET
1	22020G5111	TRANSISTOR-IGN UNIT
1	22023G5110	SEAT-SYNK
1	2216278A10	CAPASSY, DIST.W/POINTASSY.
1	1172077702	V-BELT, FAN

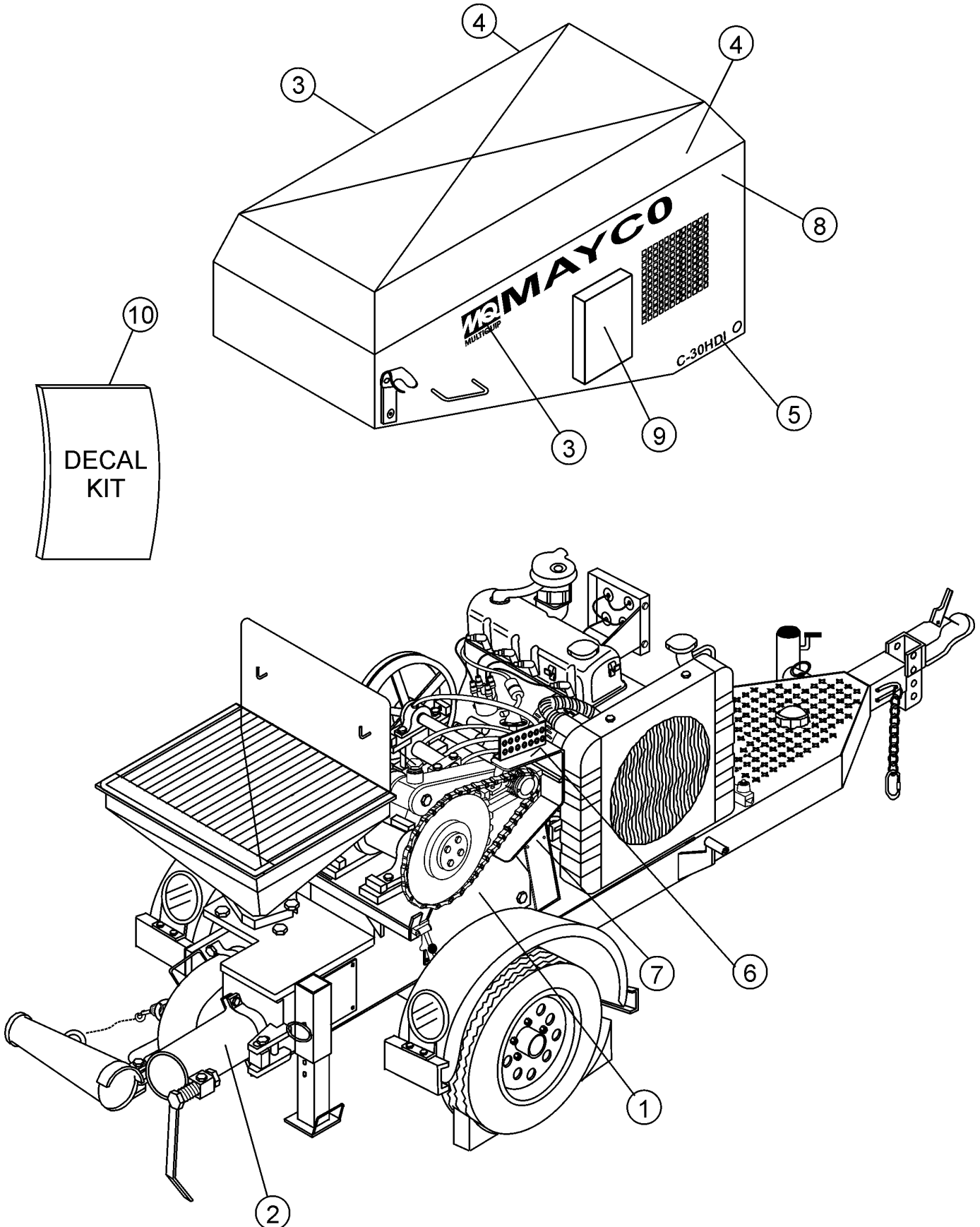
#### 3 units

Qty.	P/N	Description
10	EM14904	PISTON CUP KITS
10	EM18804	4-1/2" STEEL
10	EM14818	4" STEEL BALL
12	EM14903	BALL STOP PIN KIT
25	EM18801	MANIFOLD O-RINGS
3	EM14308	CHAINS
10	EM26313	HALF LINK
10	EM26314	MASTER LINK
2	EM14334	COMPENSATOR SPRING
4	EM14408	BRONZE RING
2	EM903092	CAM ROLLER BEARING
6	EM14315	V-BELT
6	EM14842	LOWER SEAT
6	EM14843	UPPER SEAT
3	EM26310	CLUTCH LINING
20	EM18409	O-RING
6	EM20763	FUEL FILTER
2	EM20328TKIT	BEARING KIT
2	EM28004DD	REDUCER 3" X 2"
2	EM23946	3" ELBOW
4	EM28904	3" CLAMP
10	EM289041	3" GASKET
2	EM14159	HOPPER SCREEN
1	EM14300	CAM
1	EM14801	T-MANIFOLD
1	EM14819	Y-MANIFOLD
2	EM14335	PISTON ROD
1	EM26788	REMOTE SWITCH
1	EM903176	CONN. ROD BEARING
1	EM14305	CRANKSHAFT
2	EM14807	PUMP CYLINDER
2	EM18800	COMPENSATOR CYLINDER
1	EM14320	CLUTCH
24	22401M7714	SPARK PLUG
12	1520855400	ELEMENT, OIL
3	11920H9915	V-BELT, GOVERNOR
3	2215723G15	ROTOR ASSY., ENGINE
3	2211577A11	SIGNAL ROTOR SET
3	22020G5110	TRANSISTOR-IGN UNIT
3	22023G5110	SEAT-SYNK
3	2216278A10	CAPASSY, DIST.W/POINTASSY.
3	1172077702	V-BELT, FAN

#### NOTICE

Part numbers on this Suggested Spare Parts list may supersede/replace the part numbers shown in the following parts lists.

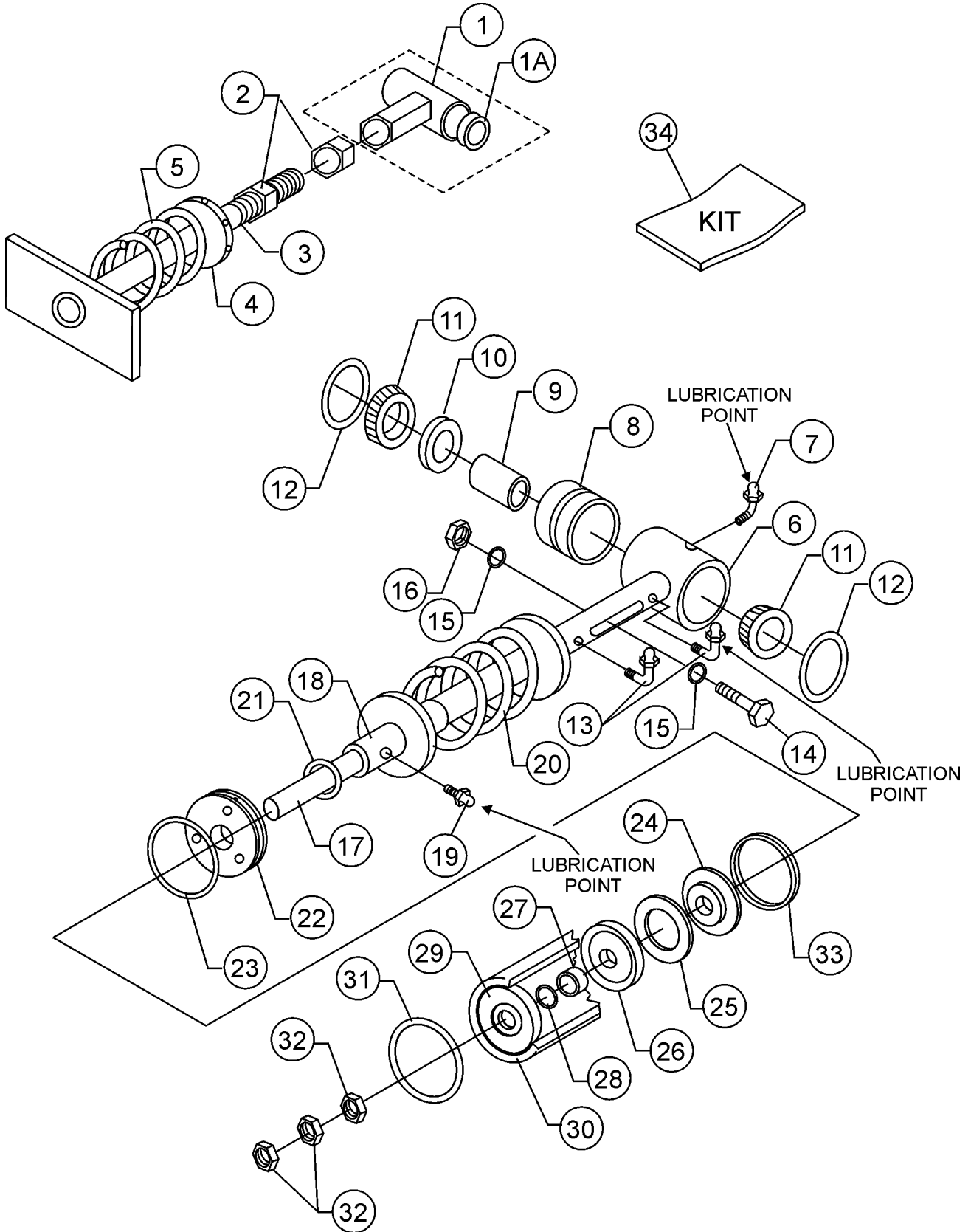
# NAMEPLATE AND DECALS ASSY.



## NAMEPLATE AND DECALS ASSY.

<u>NO.</u>	<u>PART NO.</u>	<u>PART NAME</u>	<u>QTY.</u>	<u>REMARKS</u>
1\$	DCL152	DECAL, CAUTION OIL LEVEL	1	
2\$	EM932	DECAL, CAUTION, MANIFOLD	1	
3\$	EM1028	DECAL, MULTIQUIP MAYCO	2	
4\$	508594	DECAL, CAUTION READ MANUAL	2	
5\$	EM514272	DECAL, C-30HDNI	2	
6\$	EM513165	DECAL, MAINTENANCE	1	
7		DECAL, NAME PLATE .....	1.....	CONTACT MQ PARTS DEPT. W/MODEL AND SERIAL NO.
8\$	98022	DECAL, WARNING	1	
9\$	34536	DECAL, OWNER'S MANUAL	1	
10	DCLC30HDNIKIT	KIT, DECAL.....	1.....	INCLUDES ITEMS W/\$

# COMPENSATOR PISTON ROD ASSY.

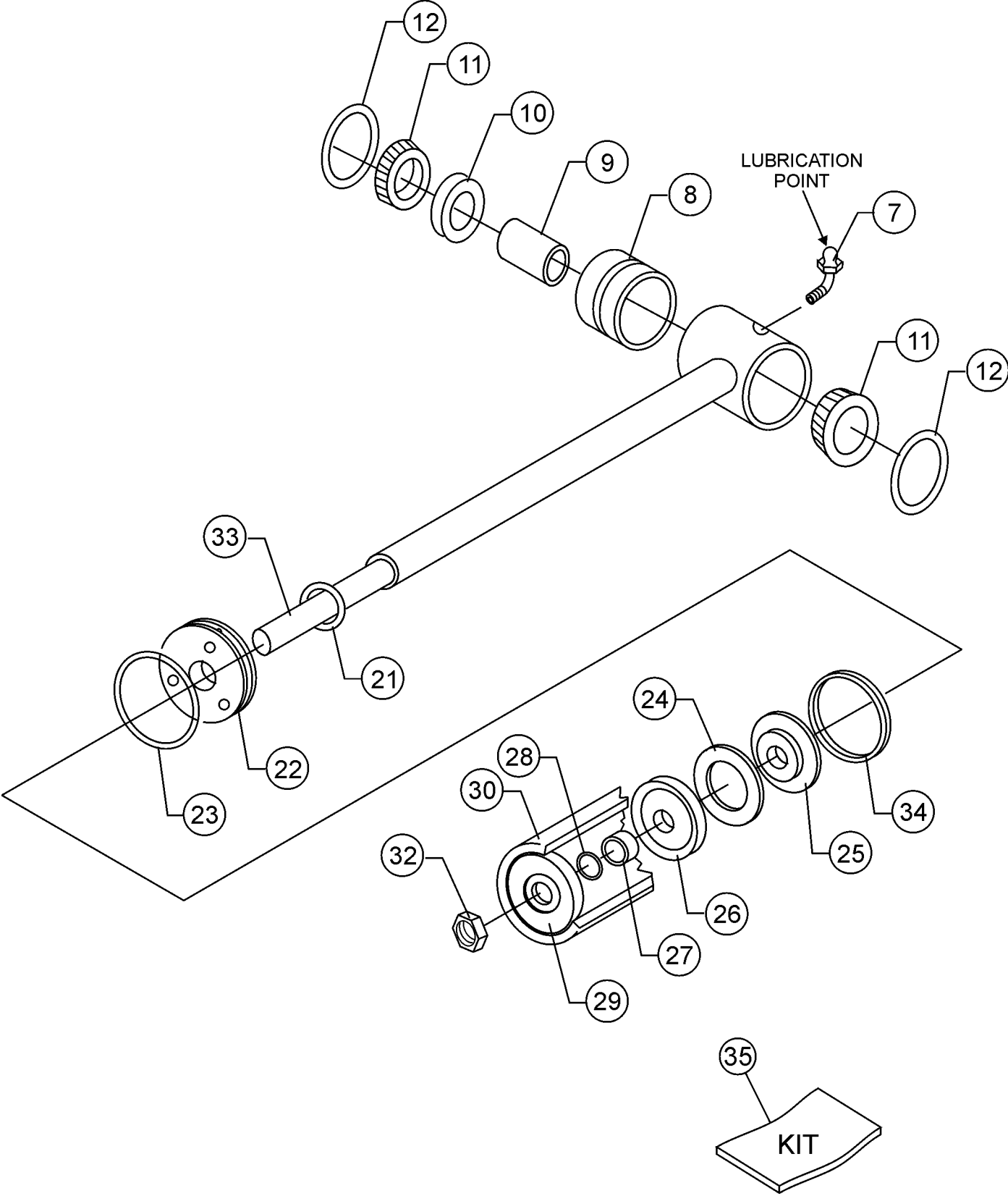




## COMPENSATOR PISTON ROD ASSY.

<u>NO.</u>	<u>PART NO.</u>	<u>PART NAME</u>	<u>QTY.</u>	<u>REMARKS</u>
1	EM14805	ROD END .....	1.....	INCLUDES ITEM W/#
1A#	EM148053	BUSHING	1	
2	EM968446	NUT HEX, 3/4"-10 GR5	2	
3	EM14332	ROD SPRING GUIDE 3/4"	1	
4	EM14331	SPRING BACKING PLATE	1	
5	EM14333	SPRING RETURN	1	
6	EM14806	PISTON GUIDE ASSY.	1	
7	EM505490	FITTING	1	
8%	EM903163	BEARING CUP	1	
9%	EM20814	BEARING BUSHING	1	
10%	EM20813	SPACER	1	
11%	EM903162	BEARING CONE	2	
12%	EM20816	O-RING	2	
13	EM916001	FITTING	2	
14	EM510266	SCREW, HHC 1/2-13X3	1	
15	EM621	WASHER	2	
16	492584	NUT LOCK 1/2" DIA.	1	
17	EM14335	PISTON ROD	1	
18	EM14336	PISTON GUIDE	1	
19	EM505489	FITTING	1	
20	EM14334	COMPENSATOR SPRING	1	
21	EM18409	O-RING	1	
22	EM98032	PLATE, OILER	1	
23	EM14407	O-RING, OILER PLATE	1	
24	EM14410	RING & FELT HOLDER	1	
25	EM14408	BRONZE RING	1	
26	EM14411	PISTON CUP-BLACK	1	
26	EM98051	PISTON CUP-ORANGE	1	
27	EM14412	BUSHING 1 1/4 CRS	1	
28	EM18409	O-RING 1"	2	
29	EM14413	FACE PLATE	1	
30	EM18800HD	PUMPING CYLINDER.....	1.....	2-1/2" LIP SLEEVE
31	EM26525	O-RING, CYLINDER BOX	1	
32	EM968446	NUT HEX, 3/4-10	3	
33	EM16493	FELT RING	1	
34	EM20328TKIT	BEARING KIT .....	1.....	INCLUDES ITEMS W/%

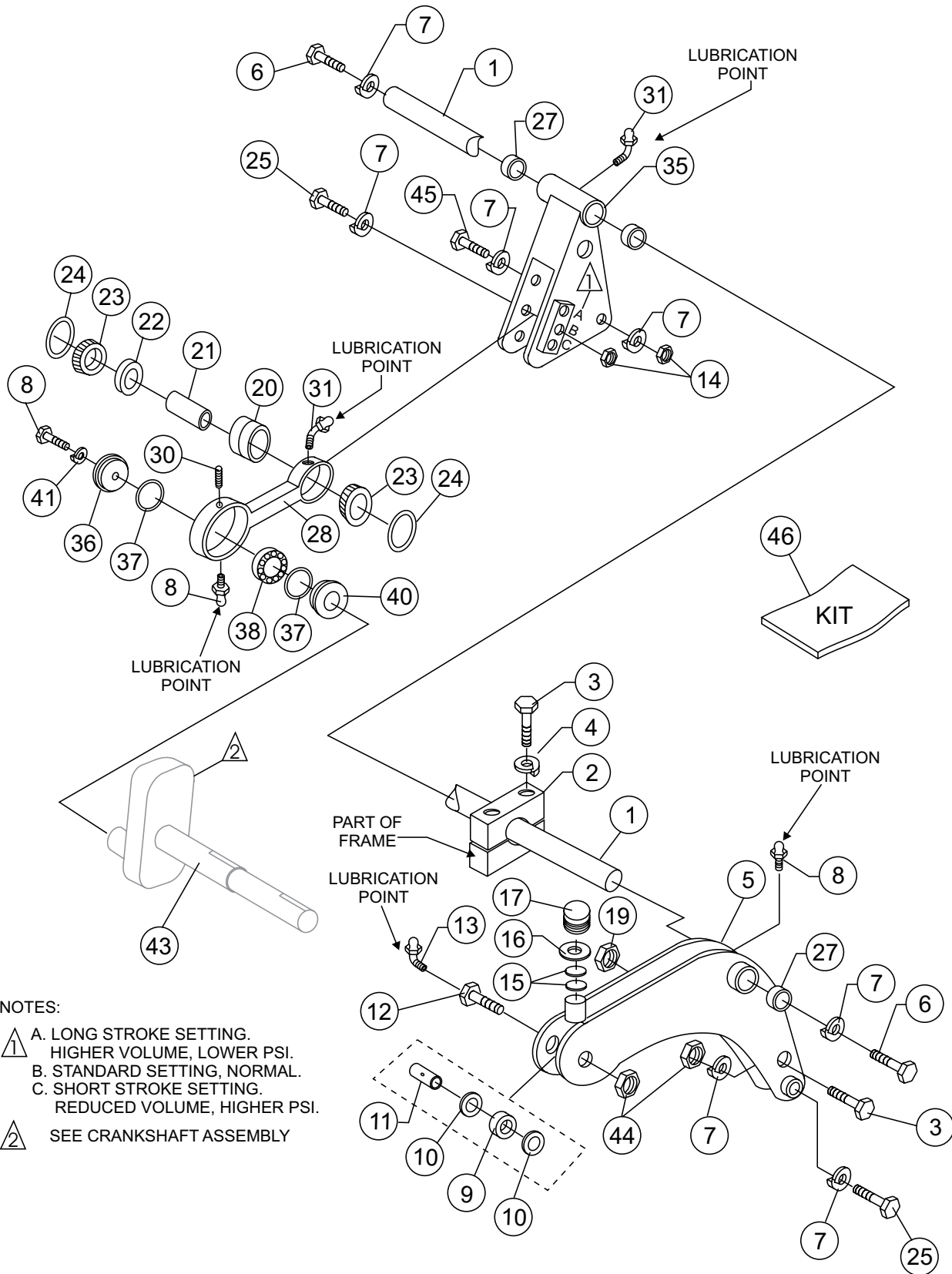
# CONNECTING ROD - DRIVE SIDE ASSY.



## CONNECTING ROD - DRIVE SIDE ASSY.

<u>NO.</u>	<u>PART NO.</u>	<u>PART NAME</u>	<u>QTY.</u>	<u>REMARKS</u>
7	EM505490	FITTING	1	
8\$	EM903163	BEARING CUP	1	
9\$	EM20814	BEARING BUSHING	1	
10\$	EM20813	SPACER	1	
11\$	EM903162	BEARING CONE	2	
12\$	EM20816	O-RING	2	
21	EM18409	O-RING	1	
22	EM98032	PLATE, OILER	1	
23	EM14407	O-RING, OILER PLATE	1	
24	EM14408	BRONZE RING	1	
25	EM14410	RING AND FELT HOLDER	1	
26	EM14411	PISTON CUP-BLACK	1	
26	EM98051	PISTON CUP-ORANGE	1	
27	EM14412	BUSHING 1 1/4 CRS	1	
28	EM18409	O-RING 1"	2	
29	EM14413	FACE PLATE	1	
30	EM14807HD	CONCRETE CYLINDER.....	1	3-3/4 IN. LIP SLEEVE
32	EM968446	NUT HEX, 3/4-10	3	
33	EM14808	PISTON ROD ASSY.	1	
34	EM16493	FELT RING	1	
35	EM20328TKIT	BEARING KIT .....	1	INCLUDES ITEMS W/\$

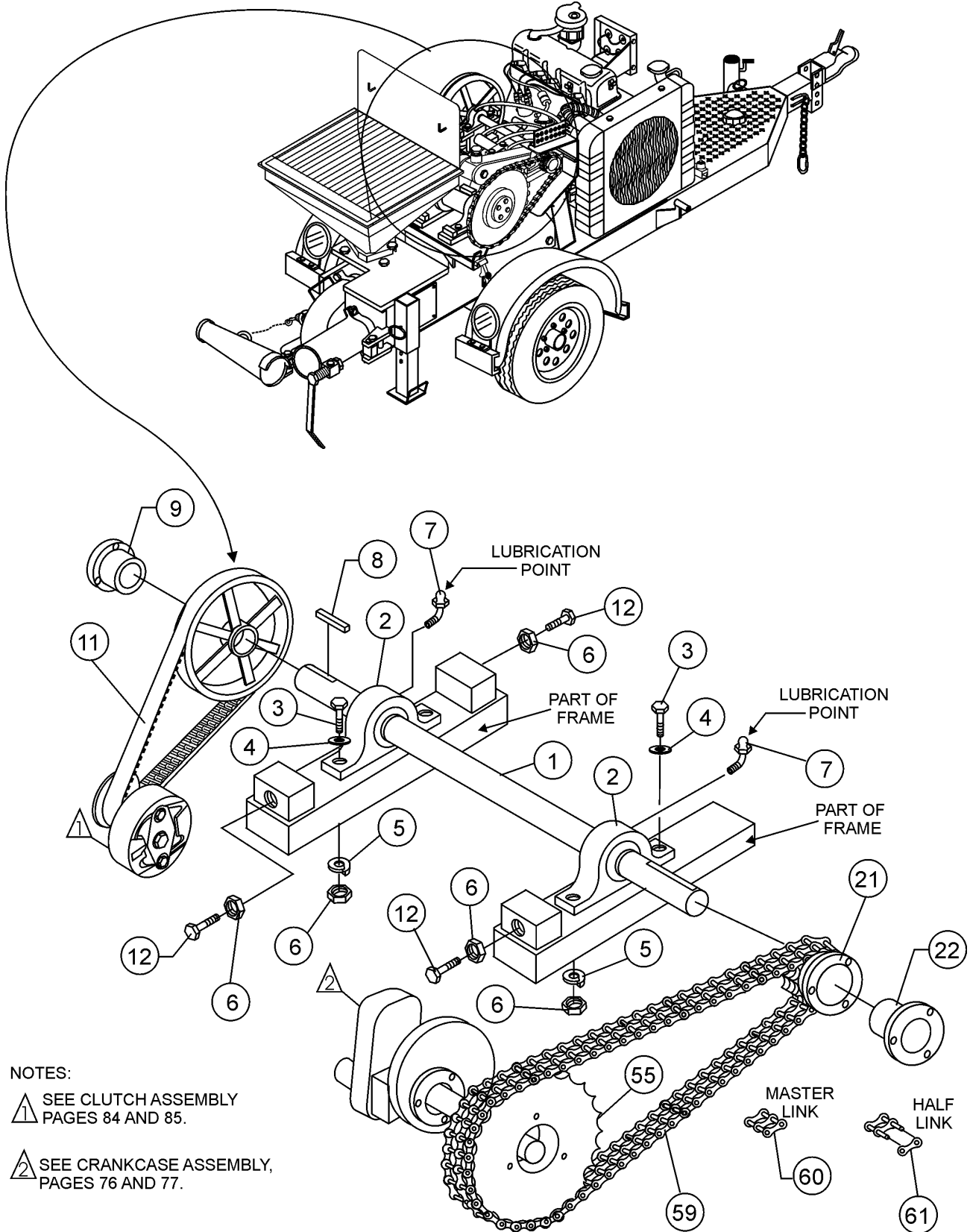
# ROCKER ASSY.



## ROCKER ASSY.

<u>NO.</u>	<u>PART NO.</u>	<u>PART NAME</u>	<u>QTY.</u>	<u>REMARKS</u>
1	EM14329	SHAFT ROCKER ARM	1	
2	EM14116	JOURNAL BLOCK	1	
3	EM963180	SCREW, HHC 3/4"-10X5	2	
4	EM923350	WASHER LOCK 3/4" SPRING STEEL	2	
5	EM14846	CAM ROCKER ARM.....	1.....	INCLUDES ITEM W/&
6	EM133	BOLT 1"-14X2" HEX HEAD	1	
7	EM603	WASHER 1" LOCK	1	
8	EM916001	ZERK FITTING	1	
9	EM903092	BEARING ASSY.	1	
10	EM20347	BEARING SPACER	2	
11	EM402434	BEARING BUSHING	1	
12	EM20344	SPECIAL BOLT	1	
13	EM916001	ZERK FITTING	1	
14	EM417	NUT FLEX LOCK	1	
15	EM402456	OILER FELT	2	
16	EM607	WASHER, FLAT 5/8"	1	
17	EM20349	OILER PLUG, PLASTIC	1	
19	EM969038	NUT STOP REG. 3/4"-10	1	
20%	EM903163	BEARING CUP	1	
21%	EM20814	BEARING BUSHING	1	
22%	EM20813	SPACER	1	
23%	EM903162	BEARING CONE	2	
24%	EM20816	O-RING	2	
25	EM105	BOLT 1"-14X6" HEX HEAD	1	
27#&	EM203262	BRONZE BUSHING	4	
28	EM20364	CONNECTING ROD	1	
30	EM702	SCREW ALLEN HEAD 3/8"-16X3/4"	1	
31	EM505490	ZERK FITTING	1	
35	EM14328	ROCKER ARM ASSY.....	1.....	INCLUDES ITEM W/#
36	EM402996	SEAL PLATE	1	
37	EM20336	O-RING	1	
38	EM903176	BEARING	1	
40	EM20338	SPACER	1	
41	EM923348	WASHER LOCK 5/8"	1	
42	EM503982	BOLT 1/2-13X5	1	
43	EM98043	FORGED CRANKSHAFT	1	
44	EM417	NUT, LOCK 3/4"-10	2	
45	EM202	BOLT, HEX 1-8 X 6 LG.	1	
46	EM20328TKIT	BEARING KIT .....	1.....	INCLUDES ITEMS W/%

# COUNTERSHAFT ASSY.



**NOTES:**

⚠ SEE CLUTCH ASSEMBLY  
PAGES 84 AND 85.

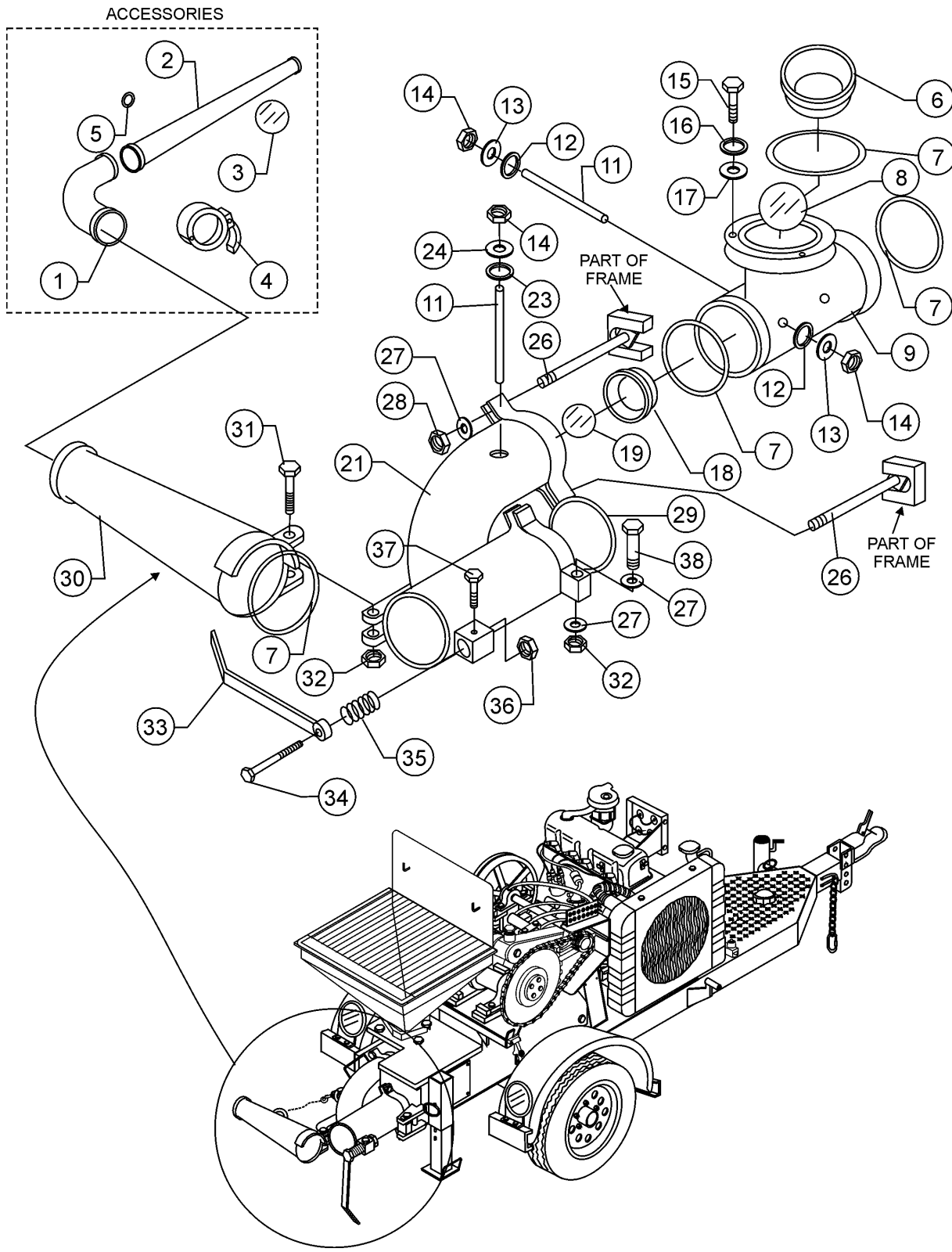
⚠ SEE CRANKCASE ASSEMBLY,  
PAGES 76 AND 77.

## COUNTERSHAFT ASSY.

---

<u>NO.</u>	<u>PART NO.</u>	<u>PART NAME</u>	<u>QTY.</u>	<u>REMARKS</u>
1	EM513073	COUNTER-SHAFT	1	
2	EM14311	CAM BEARING	2	
3	EM124	BOLT HEX, 1/2 X 1-3/4	2	
4	EM1621	WASHER, 5"	2	
5	EM923346	WASHER, LOCK 1/2"	2	
6	EM968011	NUT, HEX 1/2"-13	2	
7	EM916001	FITTING	1	
8	EM14316	KEY WAY, 3/8" X 2.5"	1	
9	EM14314	BUSHING, PULLEY	1	
10	EM14313	PULLEY	1	
11	EM98089	BELT, DOUBLE 83 INCHES	1	
12	EM143111	SET COLLAR	1	
21	EM14318	SPROCKET, 13 TOOTH	1	
22	EM14319	BUSHING	1	
55	EM14307	SPROCKET, 60 TEETH	1	
57	EM1702	SCREW ALLEN HEAD 3/8"-16X3/4"	1	
58	EM703	SET SCREW 3/8"-16X3/8"	1	
59	EM14308	CHAIN, W/MASTER LINK	1	
60	EM26314	LINK MASTER	1	
61	EM26313	HALF LINK	1	

# CRANKSHAFT ASSY.



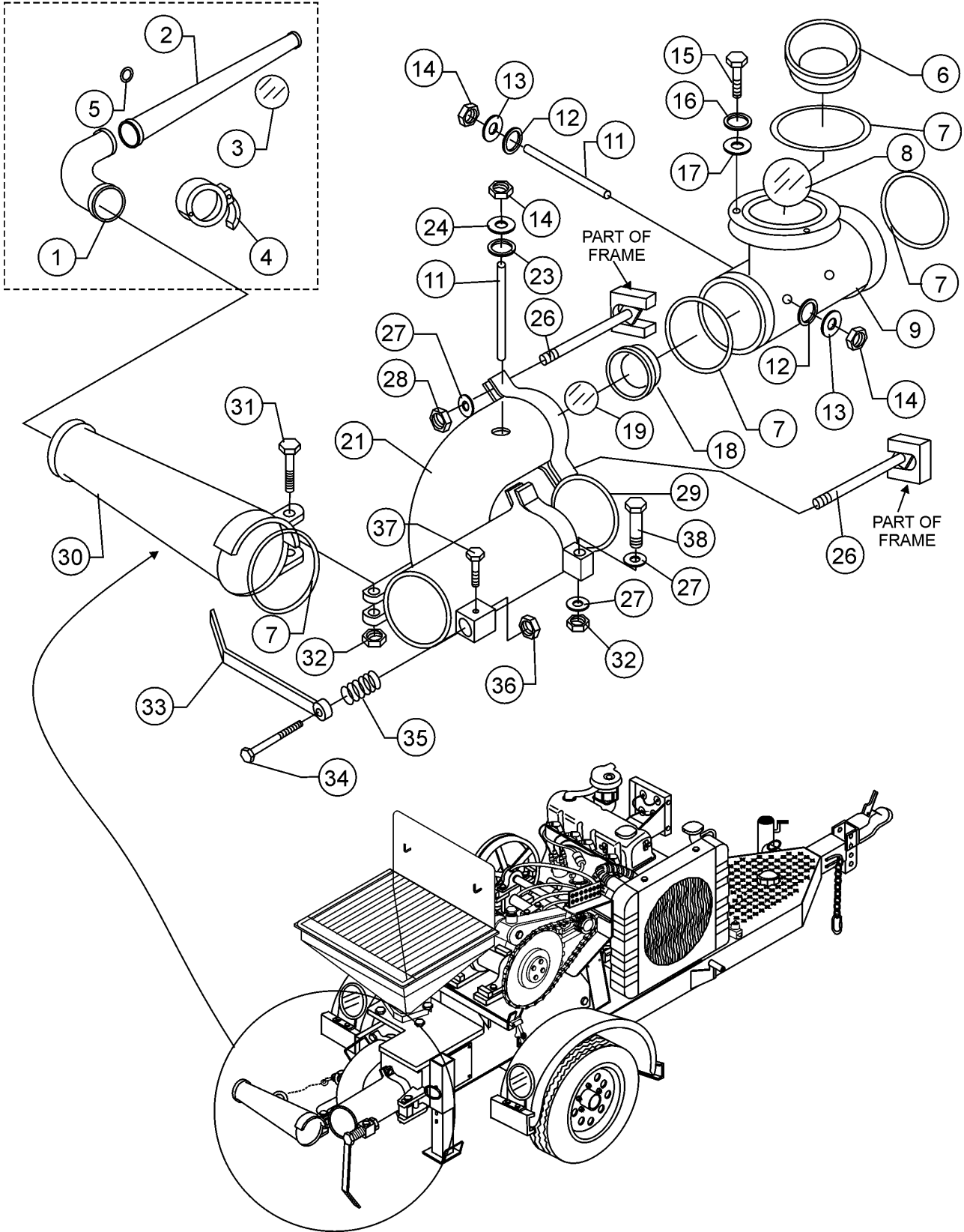


## CRANKSHAFT ASSY.

<u>NO.</u>	<u>PART NO.</u>	<u>PART NAME</u>	<u>QTY.</u>	<u>REMARKS</u>
23\$	EM14303	BEARING BLOCK	1	
24\$	EM702	SCREW, ALLEN HEAD 3/8-16X3/4	6	
25	EM505490	ZERK FITTING	1	
26	EM129	SCREW, HHC 3/4-10X8-1/2	2	
27	EM492628	LOCK WASHER 3/4	2	
28	EM968446	NUT HEX, 3/4-10 GR5	4	
29\$	EM14324	CUP BEARING	1	
30\$	EM14323	SPACER BEARING CONE	1	
31\$	EM14325	CONE BEARING	2	
32\$	EM14326	O-RING	2	
33\$	EM14322	SPACER	1	
34\$	EM98043	CRANKSHAFT, FORGED	1	
35\$	EM14306	KEY CRANKSHAFT	2	
38	EM903176	BEARING	1	
40	EM402996	SEAL PLATE	1	
41	EM923348	WASHER, LOCK 5/8 IN.	2	
43\$	EM14302	SPACER, CAM BUSHING	1	
44\$	EM14300	CAM ASSY.	1	
45\$	EM14301	BUSHING, CAM	1	
46\$	EM703	SCREW ALLEN HEAD 3/8-16X3/8	6	
48\$	EM175	BOLT 3/8-16X1-1/4	6	
49\$	EM14304	BEARING-CAM COMPLETE	1	
50\$	EM916001	ZERK FITTING	1	
51	EM128	BOLT 5/8-11X4" HEX HEAD	2	
52	EM620	WASHER, SPECIAL 5/8"	2	
54	EM968013	NUT HEX 5/8-11	4	
55\$	EM14307	SPROCKET 60 TEETH	1	
56\$	EM14309	BUSHING	1	
57	EM98043K	CRANKSHAFT FORGE ASSEMBLY .....	1.....	INCLUDES ITEM W/\$

# MANIFOLD ASSY.

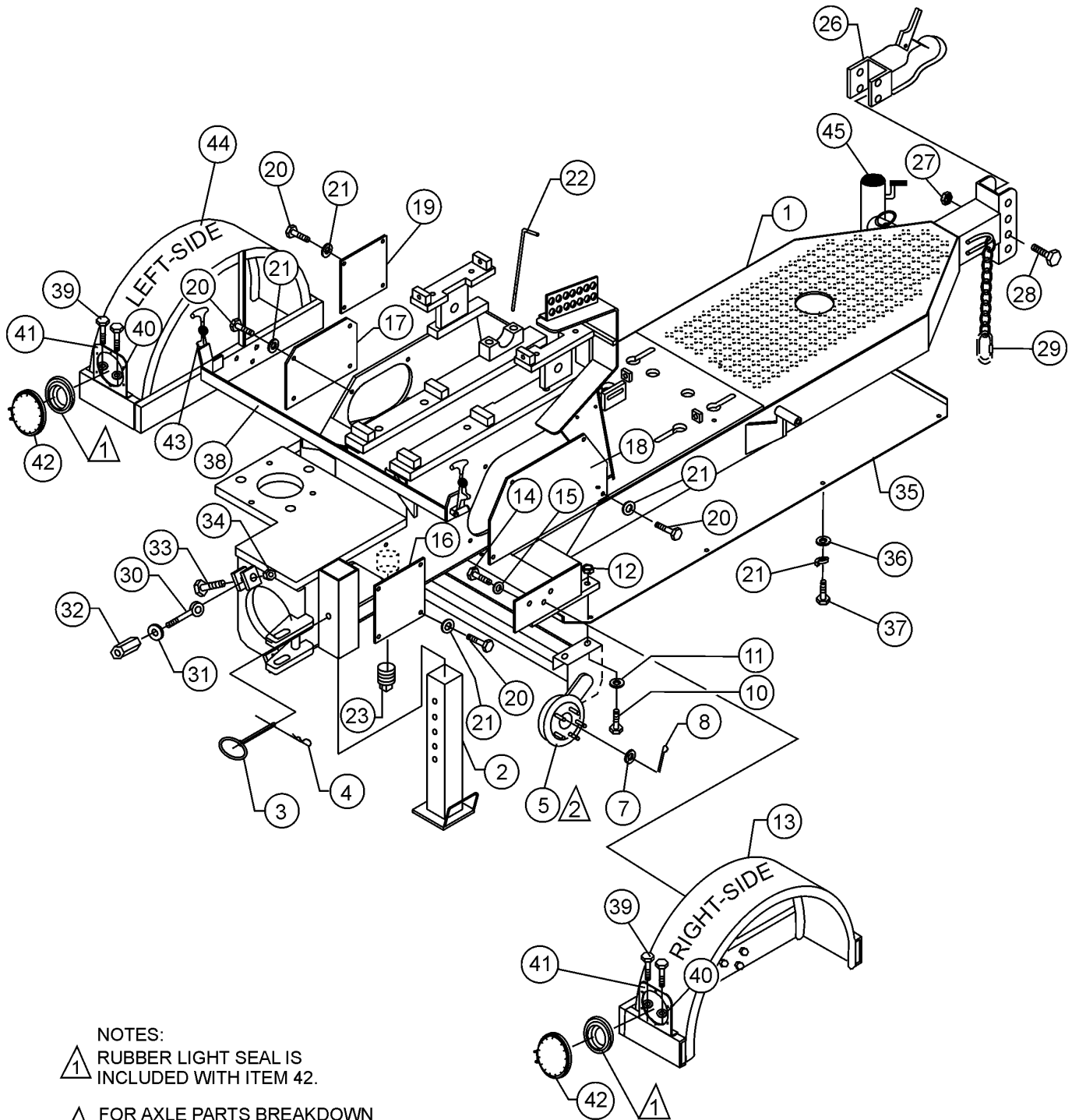
## ACCESSORIES



## MANIFOLD ASSY.

<u>NO.</u>	<u>PART NO.</u>	<u>PART NAME</u>	<u>QTY.</u>	<u>REMARKS</u>
1	EM23946	ELBOW 3"X90 DEG.HD	1	
2	EM28004DD	REDUCER 3X2X36 HD	1	
3	EM2C0B	BALL 2" SPONGE	2	
4	EM28904	COUPLING 3" HD *CF*	2	
5	EM18409	O-RING 1"	4	
6	EM14843	UPPER DURASEAT	1	
7	EM18801	O-RING	6	
8	EM18804	BALL 4-1/2"	1	
9	EM14801	MANIFOLD T ASSY.	1	
11	EM136	PIN BALL STOP 3/4-16 X 8	3	
12	EM18409	O-RING	4	
13	EM618	WASHER SPECIAL	4	
14	EM968266	NUT JAM HEX 3/4-16	4	
15	EM104	BOLT 5/8-11X2" HEX HEAD	3	
16	EM923348	WASHER LOCK 5/8 SPRING	3	
17	EM505882	WASHER, 5/8	3	
18	EM14842	SEAT DURA LOWER	1	
19	EM14818	BALL 4"	1	
21	EM14819A	MANIFOLD ASSY. EASY OPEN	1	
23	EM18409	O-RING	2	
24	EM618	WASHER SPECIAL	2	
26	EM137	TEE-BOLT 3/4-10X14"	2	
27	EM619	WASHER 3/4"	2	
28	EM968446	NUT HEX 3/4"-10 GR5	2	
30	EM14850	EXHAUST GATE "H/D"	1	
31	EM963180	CAPSCREW 3/4-10X5 HEX HD G8	1	
32	EM969038	NUT STOP REG.3/4-10	2	
33	EM14845	ARM CLAMP	1	
34	EM135	BOLT 1-1/4"-12X7" HEX HD.	1	
35	EM14810	SPRING	1	
36	EM451	NUT 1-1/4"-12 LOCK	1	
37	EM160	BOLT 3/8-16X3/4"	1	
38	EM509329	SCREW HHC 3/4-10X6	1	

# FRAME ASSY.



**NOTES:**

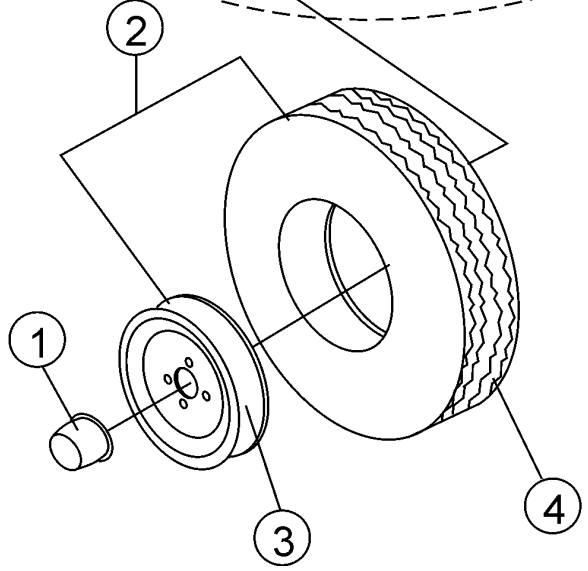
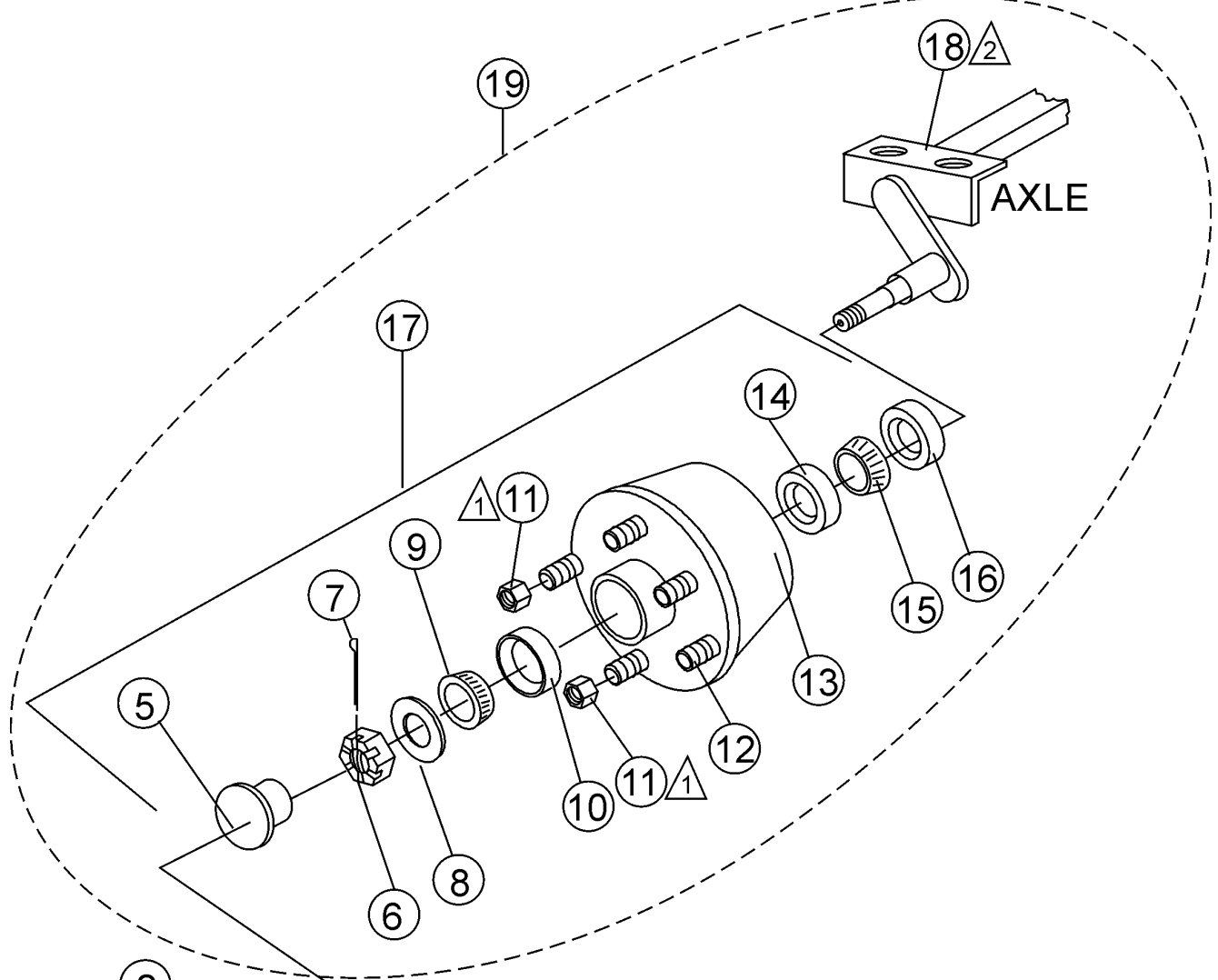
△ 1 RUBBER LIGHT SEAL IS INCLUDED WITH ITEM 42.

△ 2 FOR AXLE PARTS BREAKDOWN SEE AXLE ASSEMBLY

## FRAME ASSY.

<u>NO.</u>	<u>PART NO.</u>	<u>PART NAME</u>	<u>QTY.</u>	<u>REMARKS</u>
1	EM513085	FRAME ASSEMBLY	1	
2	EM70186	JACK STAND, REAR	1	
3	EM744	CLEVIS PIN 1/2" X 4"	1	
4	EM745	HAIR PIN C 5/8-3/4"	1	
5	EM14600A	AXLE, ASSEMBLY	1	
7	501299	WASHER THICK 1"	2	
8	491689	KEY COTTER 1/8 X 2	2	
10	EM492396	SCREW HHC 1/2-13 X 2	4	
11	EM621	WASHER .5"	4	
12	EM406	NUT LOCK 1/2" DIA.	4	
13	EM511418	FENDER RIGHT-SIDE	1	
14	981635	BOLT, HHC 1/2-13 X 3/4	6	
15	6109180	WASHER LOCK 1/2"	6	
16	EM512251	COVER	1	
17	EM512252	COVER	1	
18	EM512253	COVER	1	
19	EM512250	COVER	1	
20	EM492309	SCREW, HHC	16	
21	0166 A	WASHER, LOCK 3/8"	24	
22	EM512263	ROD	1	
23	EM507895	PLUG, 2 1/2 NPT	2	
26	29228	HITCH, TONGUE 2"	1	
27	EM969023	NUT, HEX 5/8" NC	2	
28	EM507658	SCREW, HHC 5/8" NC 4-1/2 G5	2	
29	EM509947	LINK, QUICK	2	
30	EM14165	BOLT EYE	2	
31	EM619	WASHER 3/4" WILLIAM	2	
32	EM968002	NUT COUPLING 3/4-10	2	
33	EM505121	SCREW 3/4"-10 X 3 GR.5	2	
34	EM969038	NUT STOP REG. 3/4-10	2	
35	EM513078	COVER, CHASSIS BOTTOM	1	
36	10136	WASHER, FLAT 3/8	8	
37	EM492264	HHCS. 3/8" NC X 1"	8	
38	EM929028	HOOD REST, STEEL	2	
39	492363	SCREW HHC 5/16-18 X 3/4"	4	
40	EM923343	WASHER LOCK 5/16"	4	
41	EM265361	BRACKET LIGHT	2	
42	EM26536	TAIL LIGHT	2	
43	491010	HOOD FASTENER, RUBBER	2	
44	EM513087	FENDER LEFT-SIDE	1	
45	25610	JACK STAND, FRONT	1	

# AXLE ASSY.

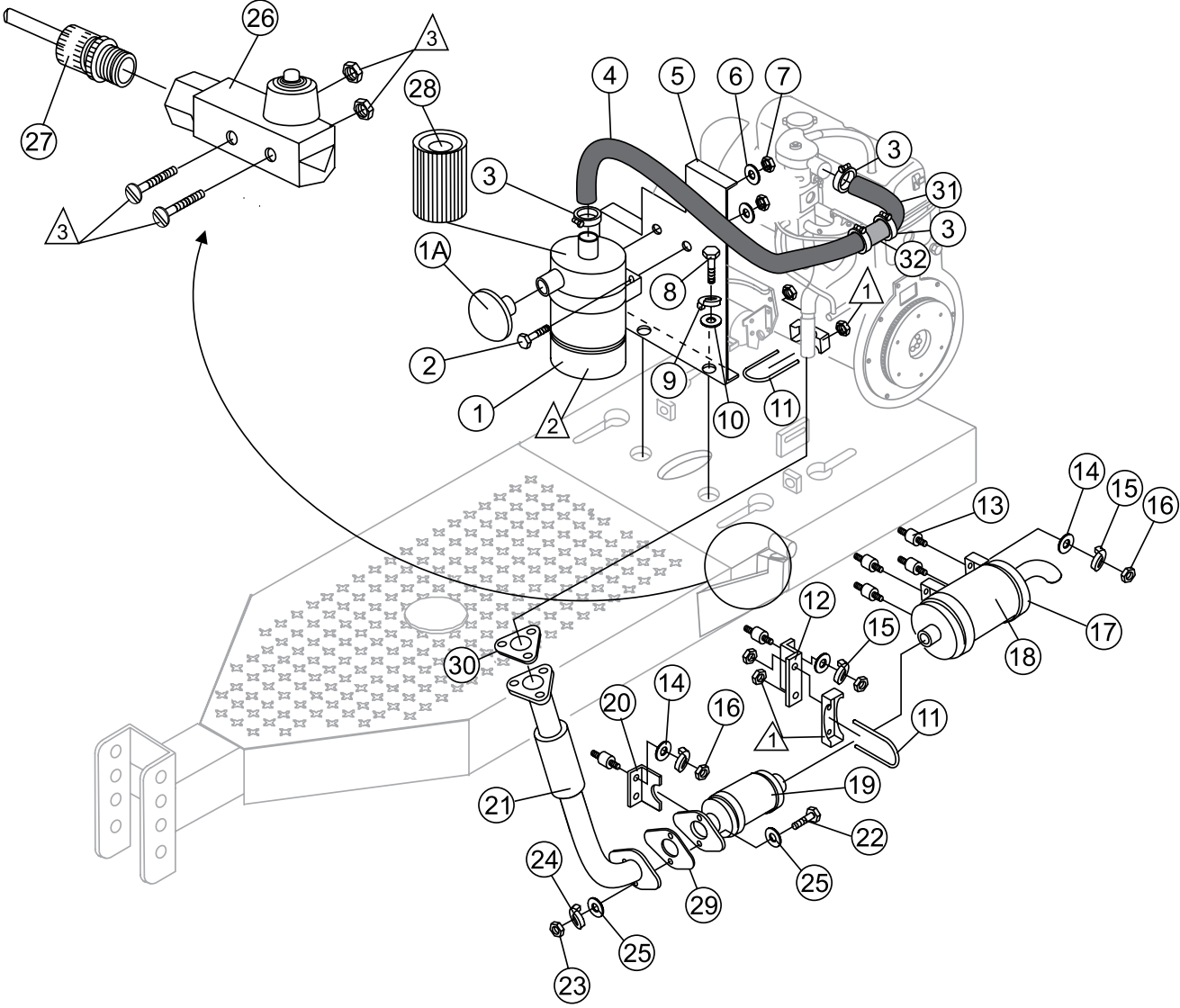


- NOTES:
- △1 TORQUE LUG NUTS PER LUG NUT TORQUE TABLE REFERENCED IN THIS MANUAL.
  - △2 FOR AXLE MOUNTING HARDWARE SEE FRAME ASSY

## AXLE ASSY.

<u>NO.</u>	<u>PART NO.</u>	<u>PART NAME</u>	<u>QTY.</u>	<u>REMARKS</u>
1	EM26518	CAP 14" CHROME	2	
2	EM26615A	TIRE ASSY.....	2.....	INCLUDES ITEMS W/\$
3\$		WHEEL .....	2.....	CANNOT BE PURCHASED SEPARATELY
4\$		TIRE 14" .....	2.....	CANNOT BE PURCHASED SEPARATELY
5#	EM26306	DUST COVER	2	
6#	EM968481	CASTLE NUT	2	
7	EM705	PIN, COTTER 3/16X1-1/2	2	
8#	EM26329	WASHER	2	
9#	EM903113	OUTER BEARING	2	
10#	EM903012	OUTER CUP	2	
11#	EM26519	NUT	12	
12#	EM20612	STUD	12	
13#	EM26300	HUB	2	
14#	EM903169	INNER CUP	2	
15#	EM903168	INNER BEARING	2	
16#	EM26305	GREASE SEAL	2	
17%	EM20601	HUB ASSEMBLY .....	2.....	INCLUDES ITEMS W/#
18%	EM14600	AXLE	1	
19	EM14600A	AXLE WITH HUBS INSTALLED .....	1.....	INCLUDES ITEMS W/%

# MUFFLER, AIR FILTER, AND STOP SWITCH ASSY.



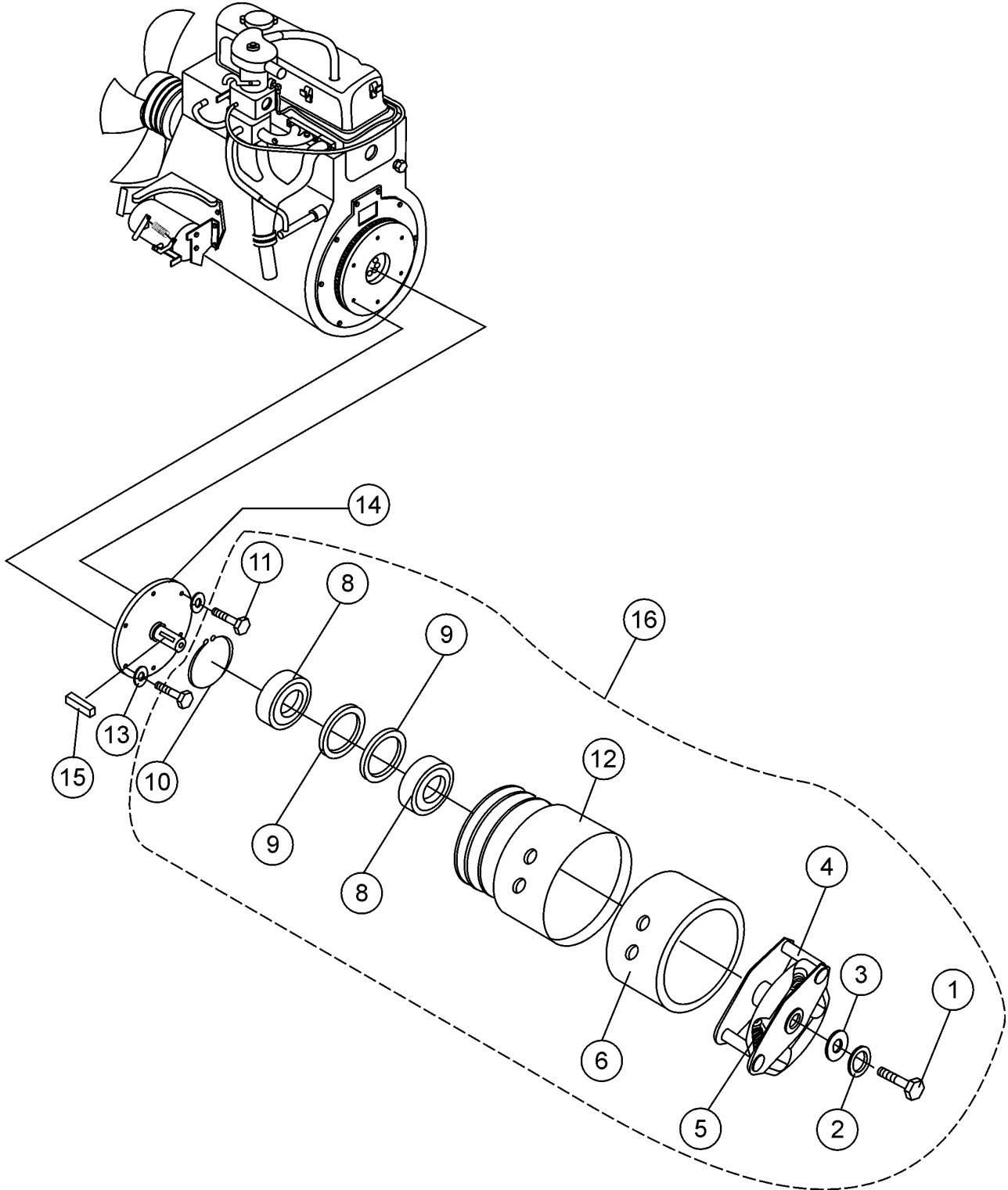
- NOTES:
- ① HARDWARE IS INCLUDED WITH ITEM 11.
  - ② AIR FILTER SUPPORT BRACKET IS INCLUDED WITH ITEM 1.
  - ③ STOP SWITCH MOUNTING HARDWARE IS INCLUDED WITH ITEM 19.



## MUFFLER, AIR FILTER, AND STOP SWITCH ASSY.

<u>NO.</u>	<u>PART NO.</u>	<u>PART NAME</u>	<u>QTY.</u>	<u>REMARKS</u>
1	EM98076	FILTER, AIR	1	
1A	EM98162	PRECLEANER, AIR FILTER	1	
2	492364	SCREW, HHC 5/16-18 X 1	2	
3	EM513126	CLAMP, AIR INTAKE	2	
4	514690	FLEX HOSE, AIR CLEANER .....	1	17.5" LENGTH 1-3/4 DIA.
5	EM513106	PANEL, FILTER SUPPORT	1	
6	EM492897	WASHER, FLAT 5/16	2	
7	492582	NUT, NYLOC 5/16-18	2	
8	EM963610	HHCS 3/8 X1 G5	2	
9	0166A	WASHER, LOCK	2	
10	3019092	WASHER, FLAT	2	
11	506257	U-BOLT	2	
12	515459	REAR SUPPORT, CATALYTIC CONVERTER	1	
13	EM513110	BUSHING, 1/4-20 RUBBER MUFFLER	8	
14	492596	WASHER, FLAT 1/4"	8	
15	492622	WASHER, LOCK 1/4"	8	
16	400	NUT, HEX 1/4 IN.	4	
17	EM98078	CLAMP, 6" MUFFLER	2	
18	515434	MUFFLER	1	
19	563P-IT-2B92-41	CATALYTIC CONVERTER	1	
20	515450	FRONT SUPPORT, CATALYTIC CONVERTER	1	
21	515435	EXHAUST, PIPE	1	
22	492378	BOLT, C/H 3/8 IN. NC X 1 IN. G5	2	
23	492554	NUT, HEX 3/8 IN.	2	
24	492624	WASHER, LOCK 3/8 IN.	2	
25	504679	WASHER, FLAT 3/8 IN.	4	
26	EM14217	STOP SWITCH, ENGINE COVER	1	
27	EM491873	GLAND CONNECTOR	1	
28	ZE1	ELEMENT, AIR FILTER	1	
29	X190056302	GASKET	1	
30	2069172W00	GASKET	1	

# CLUTCH ASSY.

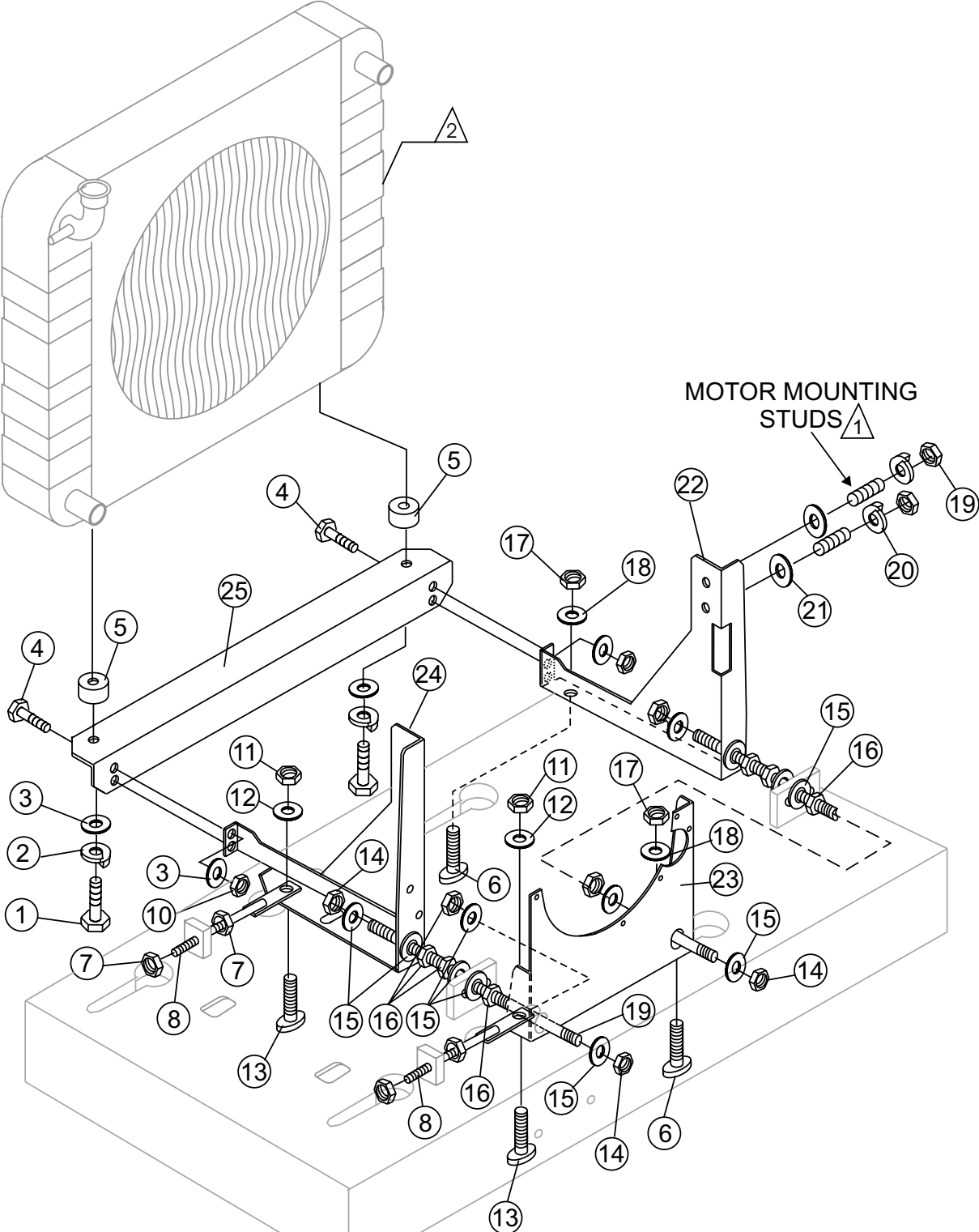


## CLUTCH ASSY.

---

<u>NO.</u>	<u>PART NO.</u>	<u>PART NAME</u>	<u>QTY.</u>	<u>REMARKS</u>
1\$	492395	SCREW, HHC 1/2-13X1-3/4"	1	
2\$	EM923346	WASHER, LOCK 1/2"	1	
3\$	EM621	WASHER, FLAT 1/2" SPECIAL	1	
4\$	EM26321	ROTOR ASSEMBLY	1	
5\$	EM918050	CLUTCH SPRING	2	
6\$	EM26310	CLUTCH LINING	1	
8\$	EM902204	CLUTCH BEARING	2	
9\$	EM926066	RETAINING RING	2	
10\$	EM926053	RETAINING RING	1	
11\$	EM508342	SCREW, HHC M8 X 25 PI.25	6	
12\$	EM26322	CLUTCH HOUSING W/LINING	1	
13	0166A	WASHER, LOCK 3/8"	6	
14	EM98071	SHAFT STUB (FLANGE), ENGINE	1	
15	EM26348	KEY	1	
16	EM14320	CLUTCH COMPLETE ASSEMBLY .....	1.....	INCLUDES ITEMS W/\$

# RADIATOR AND ENGINE MOUNTING BRACKET ASSY.

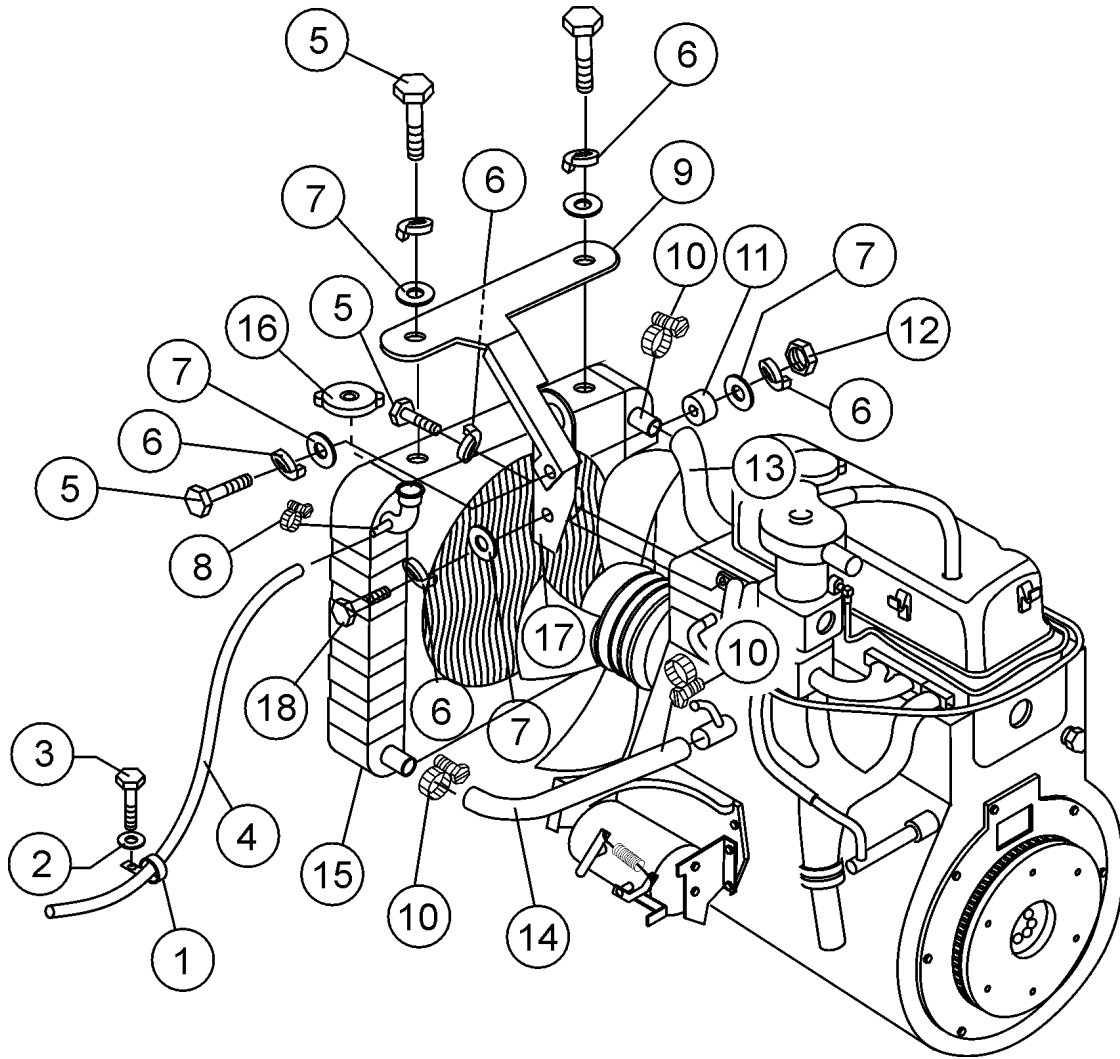


- NOTES:
- ▲ 1 INCLUDED WITH ENGINE.
  - ▲ 2 SEE RADIATOR ASSEMBLY

## **RADIATOR AND ENGINE MOUNTING BRACKET ASSY.**

<b><u>NO.</u></b>	<b><u>PART NO.</u></b>	<b><u>PART NAME</u></b>	<b><u>QTY.</u></b>	<b><u>REMARKS</u></b>
1	EM64900014	SCREW, HHCS 3/8-16 X 7/8"	2	
2	EM64700071	WASHER, LOCK 3/8	2	
3	EM64700070	WASHER, FLAT .375 X .0734 X .065	6	
4	EM64900156	BOLT, HEX 5/16-16 X 1	4	
5	EM65500003	ISOLATOR 38 X 25, 3/8-16	2	
6	EM513094	SCREW, SQUARE 1/2-13 X 1-3/4"	2	
7	6109160	NUT, HEX 1/2-13	4	
8	EM513040	TENSIONER, ADJUSTMENT	2	
10	EM64800145	NUT, HEX 5/16-18`	4	
11	6109160	NUT, HEX 1/2-13	2	
12	6109180	WASHER, LOCK 1/2"	2	
13	513095	SCREW, SQUARE 1/2-13X2	2	
14	492584	NUT, NYLOC 1/2-13	4	
15	492600	WASHER, FLAT 1/2"	12	
16	6109160	NUT, HEX 1/2-13	8	
17	6109160	NUT, HEX 1/2-13	2	
18	6109180	WASHER, LOCK 1/2"	2	
19	EM64800124	NUT, HEX M8-1.25	2	
20	EM94700080	WASHER, LOCK 8 MM	2	
21	EM94700079	WASHER, FLAT 8 MM NARROW	2	
22	EM20200043	LEFT FRONT SUPPORT	1	
23	EM20100042	LEFT REAR SUPPORT	1	
24	EM20200042	LEFT RIGHT SUPPORT	1	
25	EM20500034	BRACKET, CROSS	1	

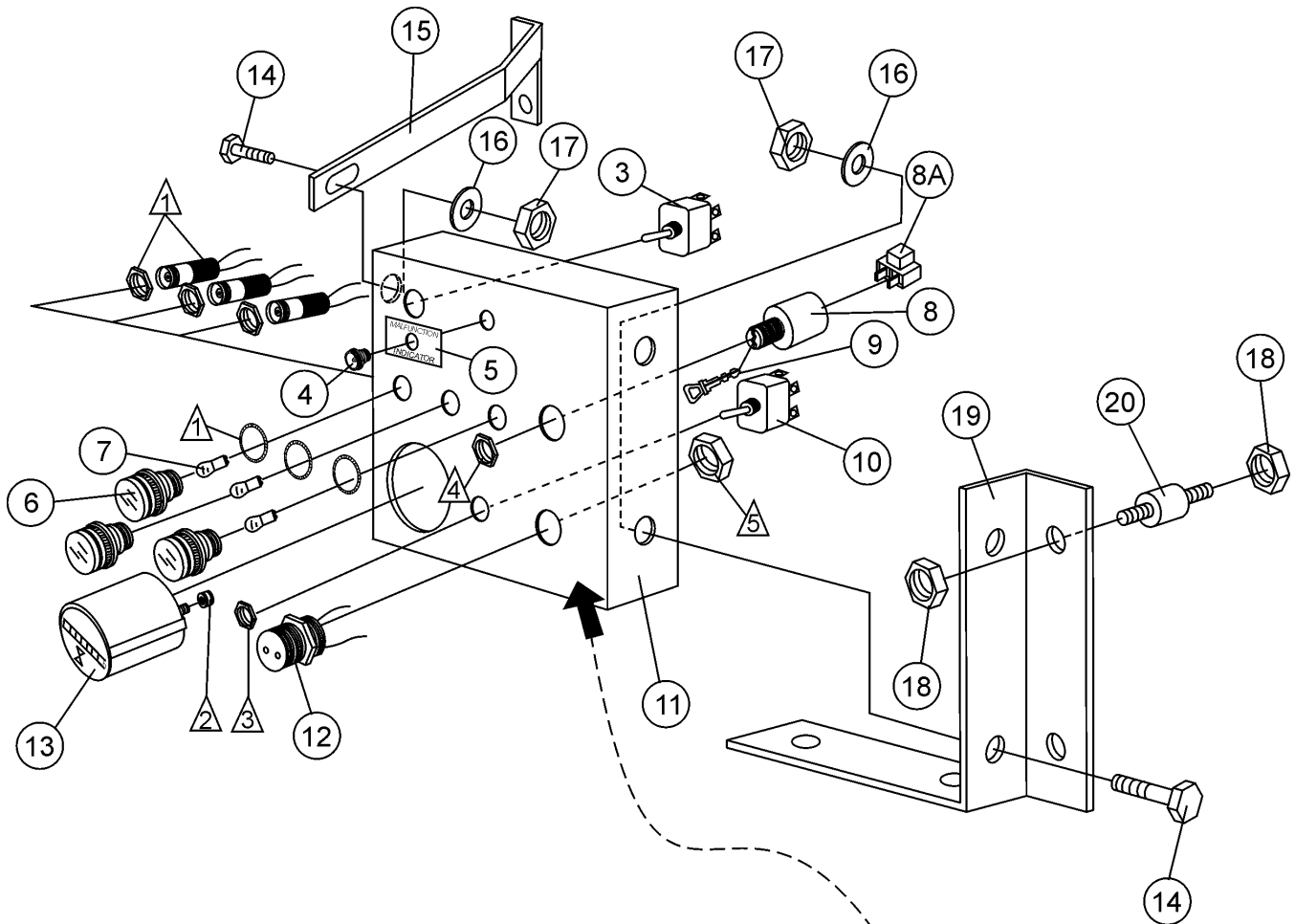
# RADIATOR, MOUNTING BRACKET AND HOSES ASSY.



## **RADIATOR, MOUNTING BRACKET AND HOSES ASSY.**

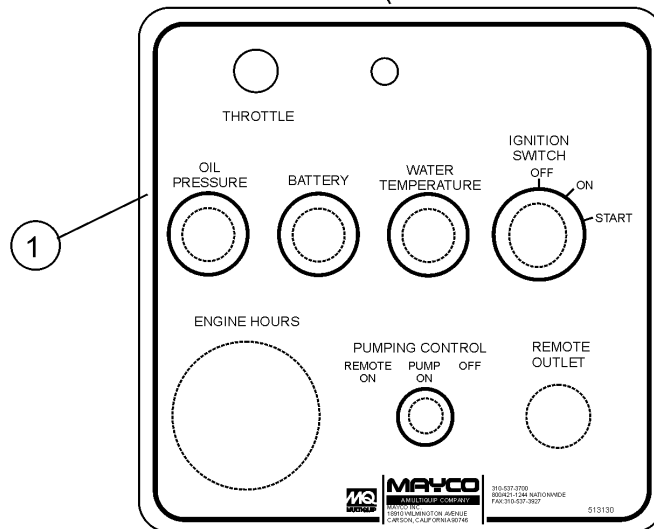
<u>NO.</u>	<u>PART NO.</u>	<u>PART NAME</u>	<u>QTY.</u>	<u>REMARKS</u>
1	EM513116	CLAMP, 1/2" HOSE	1	
2	2101402	WASHER, FLAT 1/4"	1	
3	492268	HHCS 1/4" X 3/4"	1	
4	EM20427	HOSE, OVERFLOW	1	
5	EM64900014	HHCS, 3/8-16 X 7/8"	1	
6	EM94700071	WASHER, LOCK 3/8"	1	
7	EM64700070	WASHER, FLAT .375 X .0734 X .065"	1	
8	506208	CLAMP, HOSE	1	
9	EM21000092	BRACKET, UPPER RADIATOR	1	
10	EM68800003	CLAMP, HOSE WORM DRIVE	4	
11	EM65508003	ISOLATOR	1	
12	EM64800155	NUT, HEX 3/8-16	1	
13	EM98079	RADIATOR HOSE, UPPER	1	
14	EM98080	RADIATOR HOSE, LOWER	1	
15	EM98072	RADIATOR	1	
16	EM69300001	CAP, RADIATOR 13 PS1	1	
17	EM21000091	BRACKET, UPPER RADIATOR .....	1	ISOLATOR MOUNT
18	EM64900101	HHCS, M8-1.25 X 20	1	

# CONTROL BOX ASSY.



**NOTES:**

- ① INCLUDED WITH ITEM 6,  
PILOT LAMP ASSY. P/N 513099
- ② INCLUDED WITH ITEM 13.  
HOUR METER P/N 506222
- ③ INCLUDED WITH ITEM 10,  
PUMPING CONTROL SWITCH P/N 40711
- ④ INCLUDED WITH ITEM 8,  
IGNITION SWITCH P/N 506267
- ⑤ INCLUDED WITH ITEM 12,  
REMOTE OUTLET PLUG P/N 26789



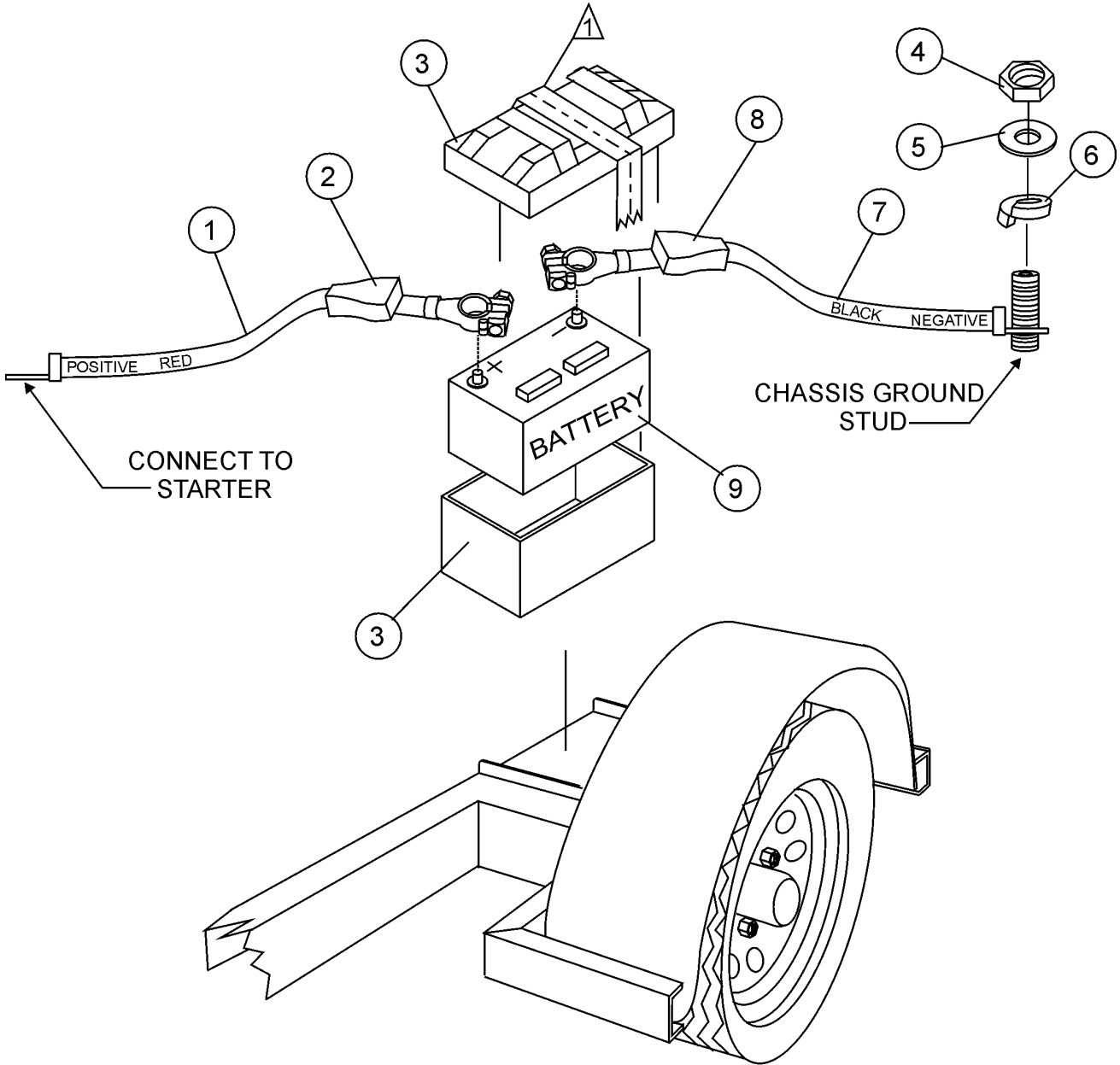


## CONTROL BOX ASSY.

---

<u>NO.</u>	<u>PART NO.</u>	<u>PART NAME</u>	<u>QTY.</u>	<u>REMARKS</u>
1	EM515461	FRONT PANEL OVERLAY	1	
3	EM98036	SWITCH, THROTTLE CONTROL	1	
4	P2300	LED, MALFUNCTION INDICATOR LED	1	
5	P7655	LABEL, MALFUNCTION INDICATOR	1	
6	12305	RED PILOT LENS DIA. 5/8"	3	
7	51908	12 VDC BULB	3	
8	10958	IGNITION SWITCH	1	
8A	508239	CONNECTOR, PLASTIC	1	
9	11078	IGNITION SWITCH KEY	1	
10	EM40711	SWITCH, PUMPING CONTROL	1	
11	EM513076	CONTROL BOX	1	
12	EM26789	RECEPTACLE (REMOTE)	1	
13	506222	HOUR METER	1	
14	492356	BOLT, HEX 1/4 IN. X 3/4 IN.	5	
15	515466	SUPPORT, ZENITH CONTROL PANEL	1	
16	492596	WASHER, FLAT 1/4 IN.	5	
17	492581	NUT, HEX 1/4 IN.	5	
18	508451	NUT, LOCK 1/4 IN.	6	
19	515455	SIDE SUPPORT, ZENITH CONTROL PANEL	1	
20	EM513110	BUSHING, 1/4-20 RUBBER MUFFLER	3	

# BATTERY ASSY.



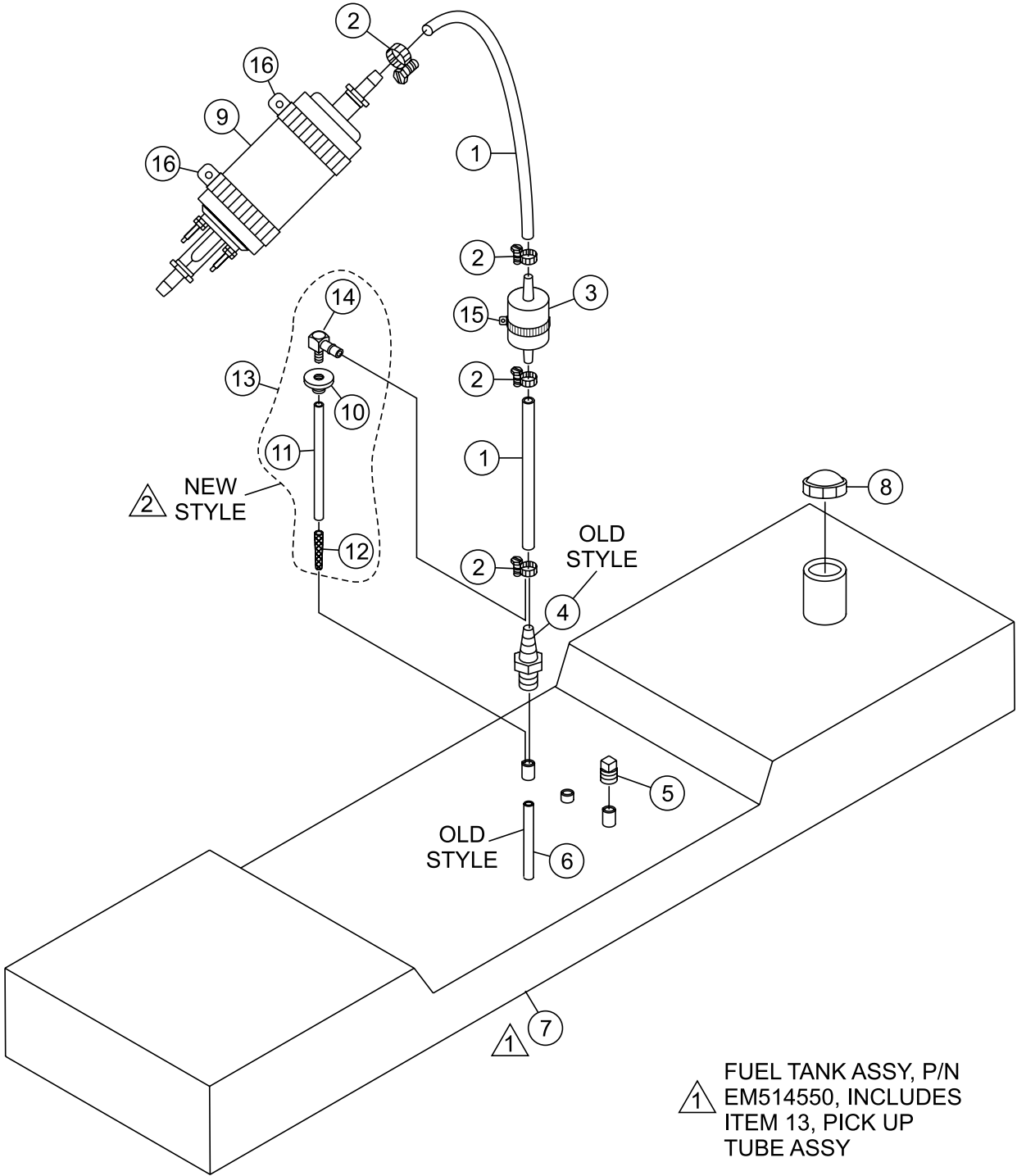
NOTES:  
⚠ BATTERY HOLD-DOWN STRAP IS INCLUDED WITH ITEM 3, P/N 34506

## BATTERY ASSY.

---

<u>NO.</u>	<u>PART NO.</u>	<u>PART NAME</u>	<u>QTY.</u>	<u>REMARKS</u>
1	EM14705	CABLE, POSITIVE BATTERY	1	
2	EM506266	COVER, POSITIVE TERMINAL	1	
3	10318	BOX, BATTERY	1	
4	EM492541	NUT, HEX 5/16-18	1	
5	EM923023	WASHER, FLAT 5/16	1	
6	EM923343	WASHER, LOCK 5/16	1	
7	EM20720	CABLE, NEGATIVE BATTERY	1	
8	EM505624	COVER, NEGATIVE TERMINAL	1	
9	EM491344	BATTERY, 12 VOLT	1	

# FUEL TANK ASSY.



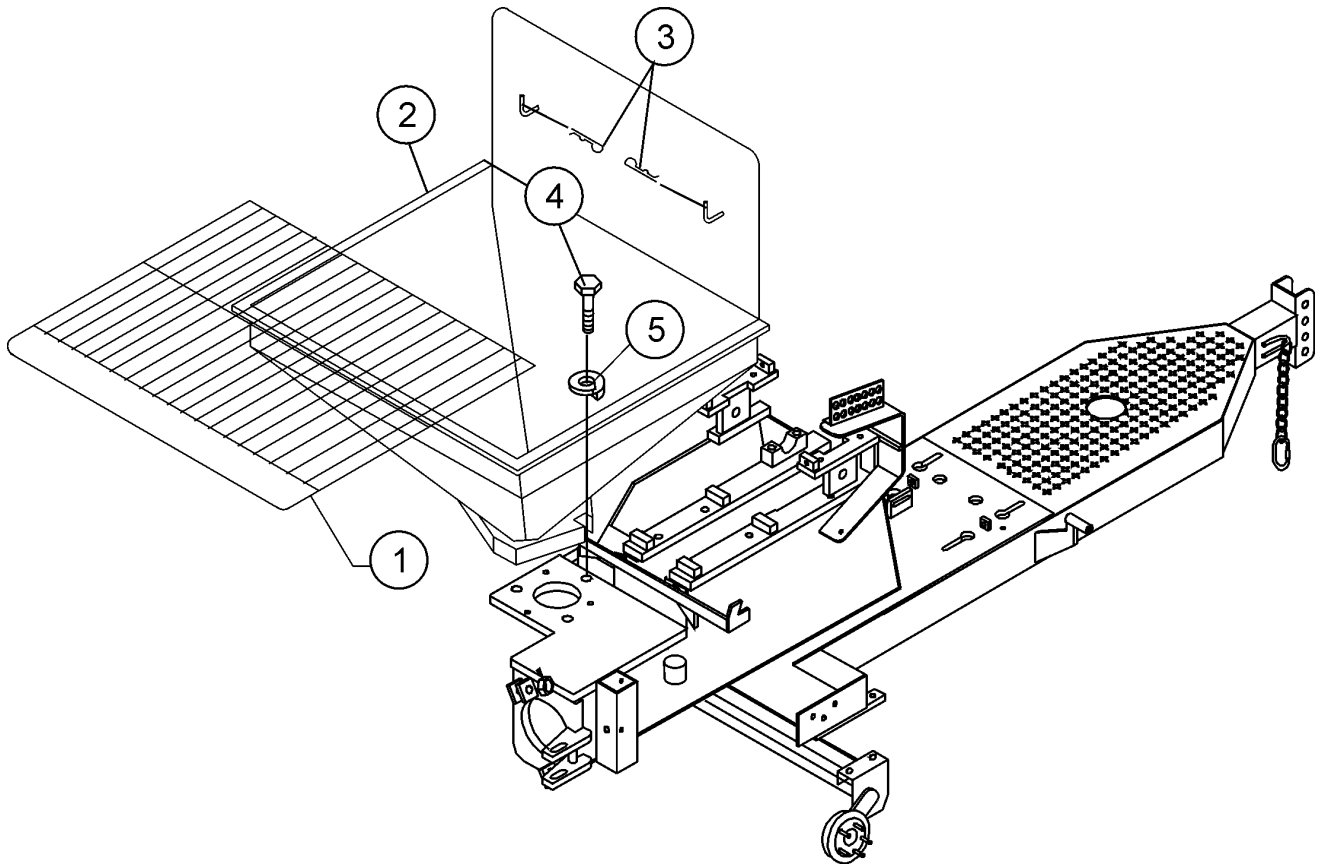
① FUEL TANK ASSY, P/N EM514550, INCLUDES ITEM 13, PICK UP TUBE ASSY

② ITEM 13, PICK UP TUBE ASSY, REPLACED ITEM 6, PIPE, AND ITEM 4, ADAPTER AFTER JULY 2005.

## FUEL TANK ASSY.

<u>NO.</u>	<u>PART NO.</u>	<u>PART NAME</u>	<u>QTY.</u>	<u>REMARKS</u>
1	TBD	HOSE, FUEL 3/8 IN.	1	
2	EM506208	CLAMP, HOSE	1	
3	C282224	FILTER, FUEL	1	
4	TBD	ADAPTER.....	1.....	BEFORE JULY 2005
5	EM491210	PLUG, 1/4 IN.	1	
6	EM505594	PIPE, 5/16" COPPER.....	1.....	BEFORE JULY 2005
7	EM514722	FUEL TANK.....	1.....	BEFORE JULY 2005
7	EM514550	FUEL TANK ASSEMBLY.....	1.....	INCLUDES ITEM 13 AFTER JULY 2005
8	2108	FUEL CAP	1	
9	C282-238	PUMP, FUEL	1	
10#	19633	BUSHING.....	1.....	AFTER JULY 2005
11#	60058	HOSE, 4-1/2".....	1.....	AFTER JULY 2005
12#	12009	SCREEN.....	1.....	AFTER JULY 2005
13	EM516533	PICK UP TUBE ASSEMBLY.....	1.....	INCLUDES ITEMS W/ AFTER JULY 2005
14#	12008	FITTING.....	1.....	AFTER JULY 2005
15	C282314	CLAMP, FUEL FILTER, #34 2-1/2" ID	1	
16	C282315	CLAMP, FUEL PUMP, #26 1-5/8" ID	2	

# HOPPER ASSY.

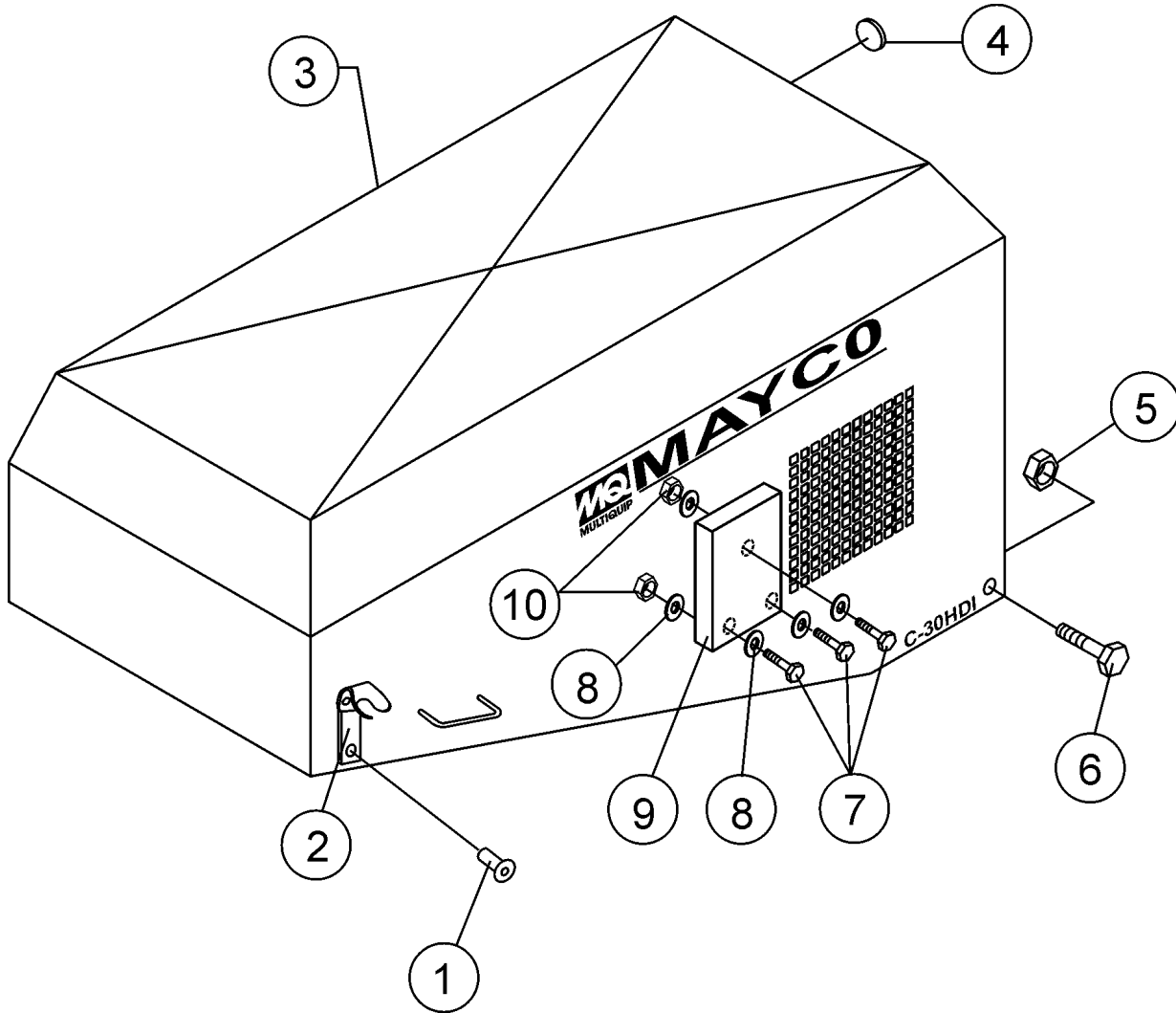


## HOPPER ASSY.

---

<u>NO.</u>	<u>PART NO.</u>	<u>PART NAME</u>	<u>QTY.</u>	<u>REMARKS</u>
1	EM14159	HOPPER SCREEN	1	
2	EM14141	HOPPER	1	
3	EM925191	PIN, HAIR	2	
4	EM104	BOLT, 5/8"-11X2" HEX HEAD	3	
5	EM507599	WASHER 5/8" FLAT	3	

# HOOD ASSY.



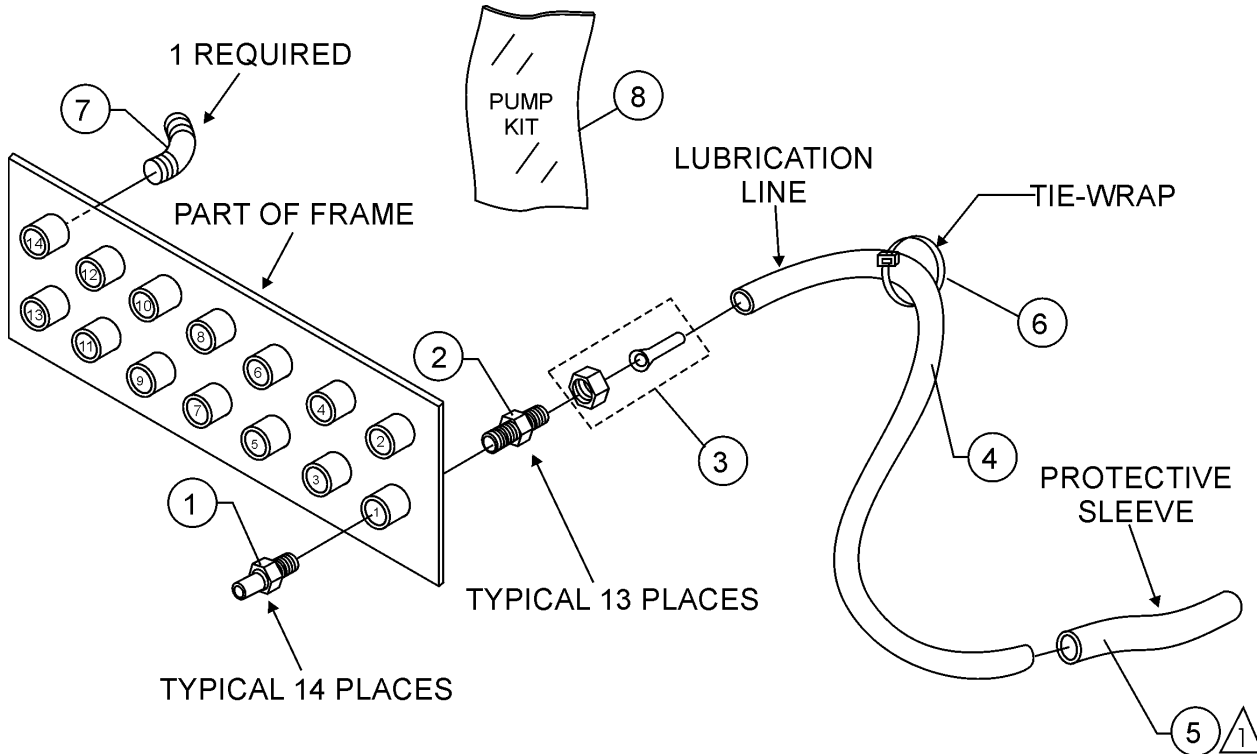


## HOOD ASSY.

---

<u>NO.</u>	<u>PART NO.</u>	<u>PART NAME</u>	<u>QTY.</u>	<u>REMARKS</u>
1	503723	RIVET	4	
2	491010	LATCH KIT	2	
3	EM513120	HOOD ASSEMBLY	1	
4	490937	BUMPER, RUBBER	2	
5	EM406	NUT 1/2"-13 HEAVY HEX	2	
6	EM124	BOLT 1/2" DIA-NC X4" G5	2	
7	EM963003	SCREW, HHC 1/4-20 X 3/4	3	
8	EM923057	WASHER	3	
9	29057	MANUAL HOLDER	1	
10	EM969079	NUT LOC NYLON 1/4	3	
11	RAL1003S	PAINT, SPRAY CAN 12 OZ. (YELLOW)	AR	
12	RAL1003G	PAINT, GALLON (YELLOW)	AR	

# LUBRICATION PANEL ASSY.



NOTES:

- ▲ PLACE PROTECTIVE SLEEVE OVER LUBRICATION LINES 1 THROUGH 6.

## NOTICE

Grease daily, two or three shots of #2 multi-purpose automotive grease. Over greasing any bearing will not damage the machine.

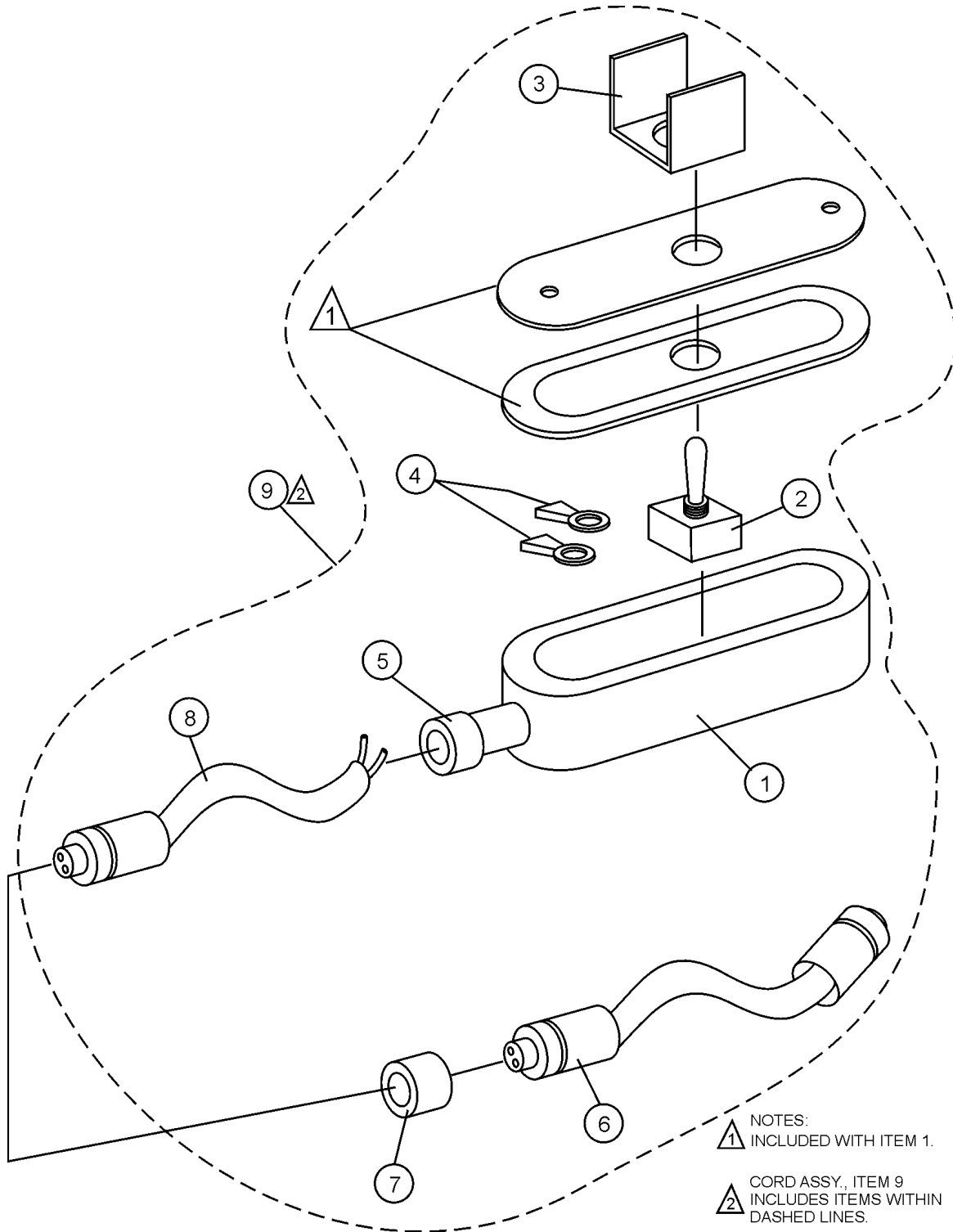
<u>POSITION</u>	<u>LOCATION</u>	<u>LENGTH OF LINES</u>
1.....	COMPENSATOR ROD.....	28 IN.
2.....	COMPENSATOR ROD.....	31 IN.
3.....	COMPENSATOR ROD.....	28 IN.
4.....	LOWER ROCKER ARM COMPENSATOR ROD .....	34 IN.
5.....	LOWER CONNECTING ROD-DRIVE SIDE .....	10 IN.
6.....	LOWER ROCKER ARM-DRIVE SIDE .....	15 IN.
7.....	UPPER ROCKER ARM-COMPENSATOR SIDE .....	28 IN.
8.....	UPPER ROCKER ARM-DRIVE SIDE .....	26 IN.
9.....	COUNTER SHAFT BEARING-SPROCKET SIDE .....	20 IN.
10.....	COUNTER SHAFT-PULLEY SIDE.....	20 IN.
11.....	UPPER CONNECTING ROD-DRIVE SIDE .....	40 IN.
12.....	CRANKSHAFT BEARING BLOCK.....	42 IN.
13.....	CAM BEARING .....	42 IN.
14.....	CRANKSHAFT BEARING FLANGE .....	20 IN.
	TOTAL LENGTH OF LINES REQUIRED .....	384 IN.

## LUBRICATION PANEL ASSY.

---

<u>NO.</u>	<u>PART NO.</u>	<u>PART NAME</u>	<u>QTY.</u>	<u>REMARKS</u>
1\$	EM916001	FITTING, GREASE 1/8" NPT	14	
2\$	EM505489	STRAIGHT FITTING 1/8" NPT	13	
3\$	505534	COUPLING W/NUT 1/8' NPT	14	
4\$	EM505516	PLASTIC HOSE LINE 1/4" DIA.....	AR .....	1 FT = 1 PC
5\$	EM490531	PROTECTIVE SLEEVE 3/8" (HOSE) .....	AR .....	1 FT = 1 PC
6\$	EM491028	TIE-WRAP 2.5 X 95 MM	AR	
7\$	EM505490	ADAPTER, 90 DEGREE ELBOW	1	
8	EM512659	KIT, LUBRICATION.....	1.....	INCLUDES ITEMS W/\$

# REMOTE CONTROL CABLE ASSY.

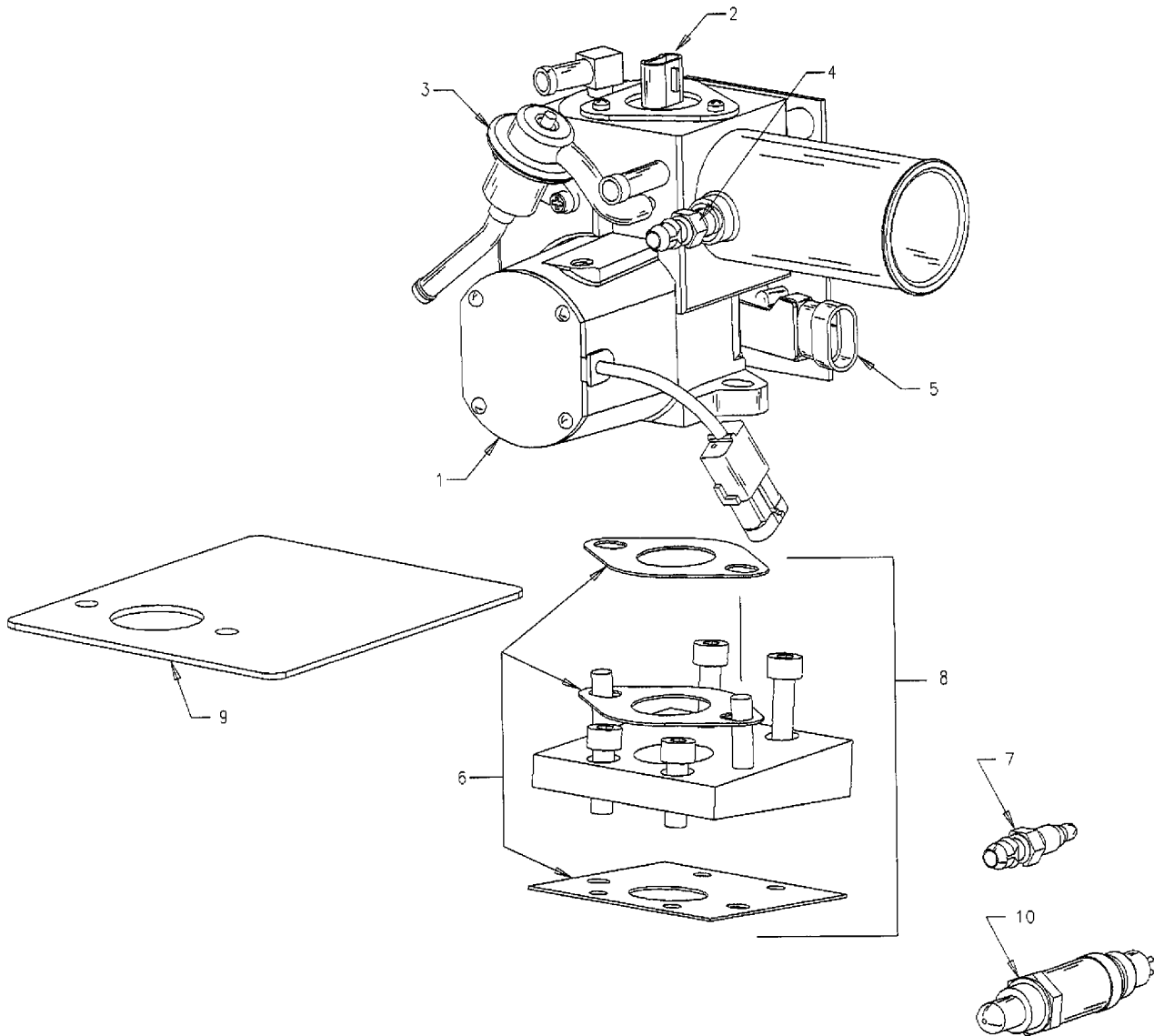


## **REMOTE CONTROL CABLE ASSY.**

---

<u>NO.</u>	<u>PART NO.</u>	<u>PART NAME</u>	<u>QTY.</u>	<u>REMARKS</u>
1\$	EM16753	JUNCTION BOX	1	
2\$	EM16754	SWITCH, MICRO	1	
3\$	EM16756	GUARD SWITCH-ALUMINUM	1	
4\$	EM491897	CONNECTOR, 3/16 RING	2	
5\$	EM26791	GRIP CORD SEAL	1	
6\$	EM26790	CORD 25' MX P/E	1	
7	EM26793	ADAPTER CORD GRIP 1/2"	1	
8	EM26792	ADAPTER CORD 100 FT.	1	
9	EM26788	REMOTE W/25' CORD ONLY .....	1.....	INCLUDES ITEMS W/\$

# ZENITH FUEL INJECTION SYSTEM ASSY.



## ZENITH FUEL INJECTION SYSTEM ASSY.

<u>NO.</u>	<u>PART NO.</u>	<u>PART NAME</u>	<u>QTY.</u>	<u>REMARKS</u>
1	C282-20108W	THROTTLE BODY.....	1.....	W/O ECU
2	C282-366	GASOLINE INJECTOR.....	1.....	W/O-RINGS
3	C282-281	REGULATOR , GASOLINE FUEL PRES.	1	
4	C282-6	SENSOR, AIR TEMPERATURE	1	
5	C282-239	SENSOR, MANIFOLD ABSOLUTE PRES.	1	
6	C282-362	MANIFOLD GASKET KIT	1	
7	C282-298	SENSOR (ECT), ENG. COOLANT TEMP.	1	
8	C282-347	MANIFOLD ADAPTOR KIT.....	1.....	W/HARDWARE AND GASKETS
9	B190-176	HEAT SHIELD	1	
10	C282-355	SENSOR, HEATED EXHAUST OXYGEN	1	
11	C282-326-52	ENGINE CONTROL UNIT	1	
12	C282-238	PUMP, GASOLINE FUEL	1	
13	C282-224	FILTER, GASOLINE FUEL (3/8" BARB)	1	
14	E784-145	HARNESS, ENGINE WIRING	1	
15	E784-145-PT	HARNESS, CONTROL PANEL WIRING	1	

# PARTS MANUAL

## HERE'S HOW TO GET HELP

PLEASE HAVE THE MODEL AND SERIAL  
NUMBER ON-HAND WHEN CALLING

### UNITED STATES

#### *Multiquip Inc.*

(310) 537- 3700  
6141 Katella Avenue Suite 200  
Cypress, CA 90630  
E-MAIL: [mq@multiquip.com](mailto:mq@multiquip.com)  
WEBSITE: [www.multiquip.com](http://www.multiquip.com)

---

### CANADA

#### *Multiquip*

(450) 625-2244  
4110 Industriel Boul.  
Laval, Quebec, Canada H7L 6V3  
E-MAIL: [infocanada@multiquip.com](mailto:infocanada@multiquip.com)

### UNITED KINGDOM

#### *Multiquip (UK) Limited Head Office*

0161 339 2223  
Unit 2, Northpoint Industrial Estate,  
Globe Lane,  
Dukinfield, Cheshire SK16 4UJ  
E-MAIL: [sales@multiquip.co.uk](mailto:sales@multiquip.co.uk)

© COPYRIGHT 2024, MULTIQUIP INC.

Multiquip Inc, the MQ logo are registered trademarks of Multiquip Inc. and may not be used, reproduced, or altered without written permission. All other trademarks are the property of their respective owners and used with permission.

This manual MUST accompany the equipment at all times. This manual is considered a permanent part of the equipment and should remain with the unit if resold.

The information and specifications included in this publication were in effect at the time of approval for printing. Illustrations, descriptions, references and technical data contained in this manual are for guidance only and may not be considered as binding. Multiquip Inc. reserves the right to discontinue or change specifications, design or the information published in this publication at any time without notice and without incurring any obligations.

