

# PARTS MANUAL



***WHITEMAN***  
**MODEL**  
**CA4HM**  
**WALK-BEHIND TROWEL**  
**(HONDA/VANGUARD GASOLINE ENGINE)**

Revision #15 (09/10/24)

To find the latest revision of this publication or associated operation manual, visit our website at: [www.multiquip.com](http://www.multiquip.com)



THIS MANUAL MUST ACCOMPANY THE EQUIPMENT AT ALL TIMES.

**P/N 21692**

**CA4HM**

**Walk-Behind Trowel**

Explanation Of Code In Remarks Column..... 4  
Suggested Spare Parts ..... 5

**Component Drawings**

Nameplate And Decals ..... 6-7  
Quick Pitch™ Handle Assembly ..... 8-9  
Spider Assembly ..... 10-11  
Gearbox Assembly ..... 12-13  
Engine Assembly (S/N ~ CL0132684)..... 14-15  
Engine Assy. (S/N CL0132685 - RC0158421). 16-17  
Engine Assembly (S/N RC0158422 ~) ..... 18-19  
Guard Ring Assembly ..... 20-21  
Blades And Pan Assembly..... 22-23  
Engine Service Parts ..... 24-25

**NOTICE**  
Specifications and part numbers are subject to change without notice.



# EXPLANATION OF CODE IN REMARKS COLUMN

The following section explains the different symbols and remarks used in the Parts section of this manual. Use the help numbers found on the back page of the manual if there are any questions.

## NOTICE

The contents and part numbers listed in the parts section are subject to change without notice. Multiquip does not guarantee the availability of the parts listed.

## SAMPLE PARTS LIST

NO.	PART NO.	PART NAME	QTY.	REMARKS
1	12345	BOLT .....	1	INCLUDES ITEMS W/%
2%		WASHER, 1/4 IN. ....		NOT SOLD SEPARATELY
2%	12347	WASHER, 3/8 IN. ...	1	MQ-45T ONLY
3	12348	HOSE .....	A/R	MAKE LOCALLY
4	12349	BEARING .....	1	S/N 2345B AND ABOVE

## NO. Column

**Unique Symbols** — All items with same unique symbol (@, #, +, %, or >) in the number column belong to the same assembly or kit, which is indicated by a note in the “Remarks” column.

**Duplicate Item Numbers** — Duplicate numbers indicate multiple part numbers, which are in effect for the same general item, such as different size saw blade guards in use or a part that has been updated on newer versions of the same machine.

## NOTICE

When ordering a part that has more than one item number listed, check the remarks column for help in determining the proper part to order.

## PART NO. Column

**Numbers Used** — Part numbers can be indicated by a number, a blank entry, or TBD.

TBD (To Be Determined) is generally used to show a part that has not been assigned a formal part number at the time of publication.

A blank entry generally indicates that the item is not sold separately or is not sold by Multiquip. Other entries will be clarified in the “Remarks” Column.

## QTY. Column

**Numbers Used** — Item quantity can be indicated by a number, a blank entry, or A/R.

A/R (As Required) is generally used for hoses or other parts that are sold in bulk and cut to length.

A blank entry generally indicates that the item is not sold separately. Other entries will be clarified in the “Remarks” Column.

## REMARKS Column

Some of the most common notes found in the “Remarks” Column are listed below. Other additional notes needed to describe the item can also be shown.

**Assembly/Kit** — All items on the parts list with the same unique symbol will be included when this item is purchased.

Indicated by:

“INCLUDES ITEMS W/(unique symbol)”

**Serial Number Break** — Used to list an effective serial number range where a particular part is used.

Indicated by:

“S/N XXXXX AND BELOW”

“S/N XXXX AND ABOVE”

“S/N XXXX TO S/N XXX”

**Specific Model Number Use** — Indicates that the part is used only with the specific model number or model number variant listed. It can also be used to show a part is NOT used on a specific model or model number variant.

Indicated by:

“XXXXX ONLY”

“NOT USED ON XXXX”

**“Make/Obtain Locally”** — Indicates that the part can be purchased at any hardware shop or made out of available items. Examples include battery cables, shims, and certain washers and nuts.

**“Not Sold Separately”** — Indicates that an item cannot be purchased as a separate item and is either part of an assembly/kit that can be purchased, or is not available for sale through Multiquip.

## SUGGESTED SPARE PARTS

### CA4HM WALK-BEHIND TROWEL

#### 1 to 3 Units

Qty.	P/N	Description
3	0189	GRIP
1	21046	GASKET KIT
1	21047	KIT, BEARING/SEAL
1	1714	PITCH CABLE
1	10607	THRUST BEARING
1	10567	THRUST COLLAR
1	10639	WEAR PLATE
3	2343	V-BELT (A-25)
1	0302	CABLE, THROTTLE
2	10139	GEARBOX LUBRICANT
1	10936	CABLE ASSY. HAND CLUTCH
4	10768-1	ARM, TROWEL, W/LEVER

#### NOTICE

Part numbers on this Suggested Spare Parts list may supersede/replace the part numbers shown in the following parts lists.

### HONDA GX120K1QX2/GX120UT1QX2 GASOLINE ENGINE

#### 1 to 3 Units

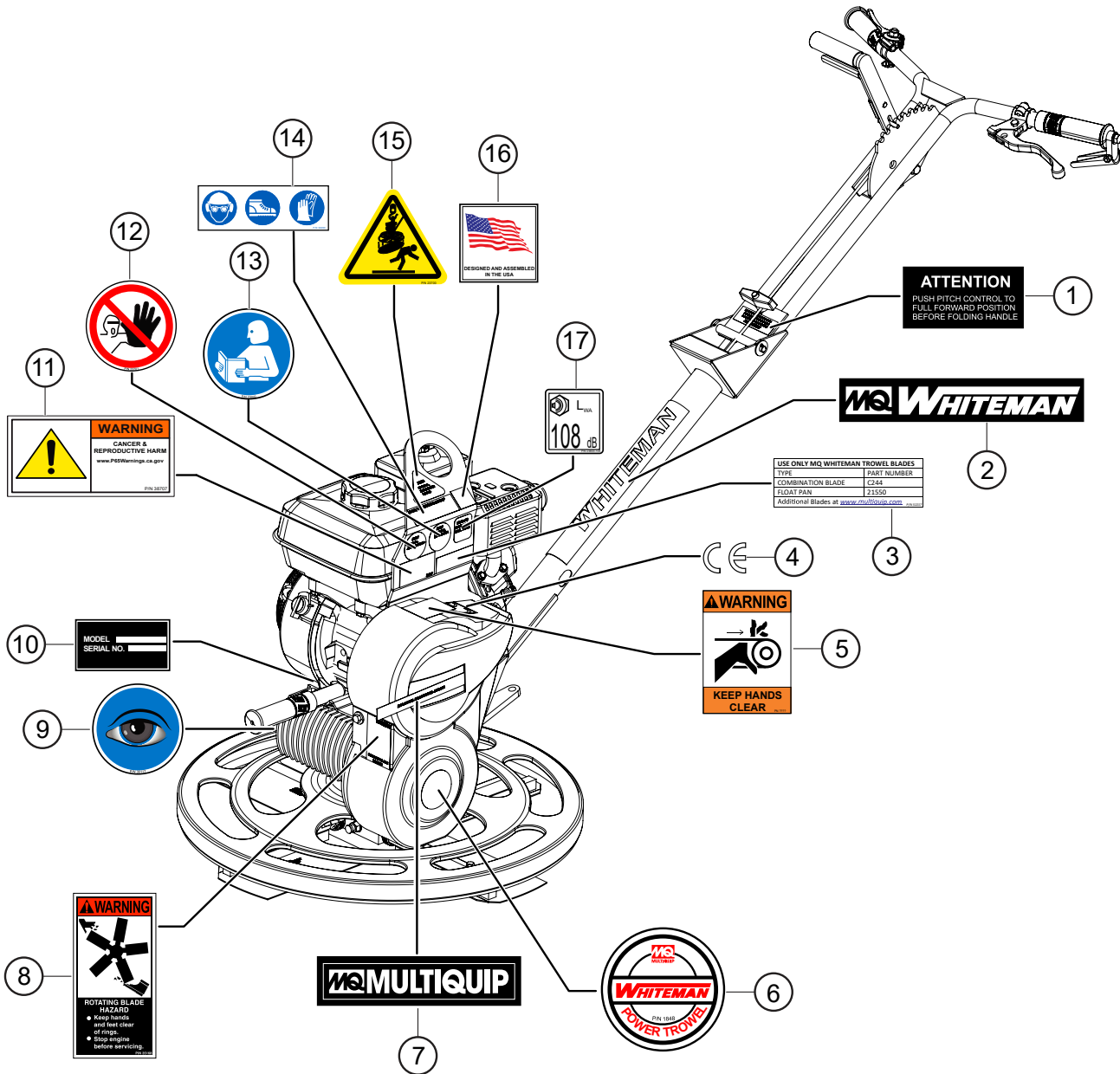
Qty.	P/N	Description
2	9807955855	SPARK PLUG W16EPR-U (DENSO), OPT(GX120K1QX2)
2	9807955876	SPARK PLUG BPR5ES (NGK) (GX120UT1QX2)
2	17631ZH7003	TANK CAP (GX120K1QX2)
2	17620Z0T813	TANK CAP (GX120UT1QX2) - S/N 1120058 AND BELOW
2	17620Z4H000	TANK CAP (GX120UT1QX2) - S/N 1120059 TO 1188057
2	17620Z4H010	TANK CAP (GX120UT1QX2) - S/N 1188058 TO 1206680
2	17620Z4H020	TANK CAP (GX120UT1QX2) - S/N 1206681 AND ABOVE
3	17210ZE0505	AIR CLEANER ELEMENT (GX120K1QX2)
3	17210ZE0822	AIR CLEANER ELEMENT (GX120UT1QX2)
2	17218ZE0505	OUTER FILTER (GX120K1QX2)
2	17218ZE0820	OUTER FILTER (GX120U1QX2)
2	28462ZH8003	ROPE, RECOIL STARTER
2	28461ZH8003	GRIP, RECOIL STARTER
2	15510ZE1033	OIL LEVEL SW. - S/N 1111367 AND BELOW
2	35480Z0T003	OIL LEVEL SW. - S/N 1111368 AND ABOVE

### HONDA GX160UT2QX2 GASOLINE ENGINE

#### 1 to 3 Units

Qty.	P/N	Description
2	34150ZH7023	OIL ALERT UNIT
2	17620Z4H900	CAP W/FILTER, FUEL TANK
3	17210Z4M821	AIR CLEANER ELEMENT
2	17218ZE1507	OUTER FILTER
2	28462ZH8003	ROPE, RECOIL STARTER
2	28461Z4M305	GRIP, RECOIL STARTER
2	9807956846	SPARK PLUG, BPR6ES

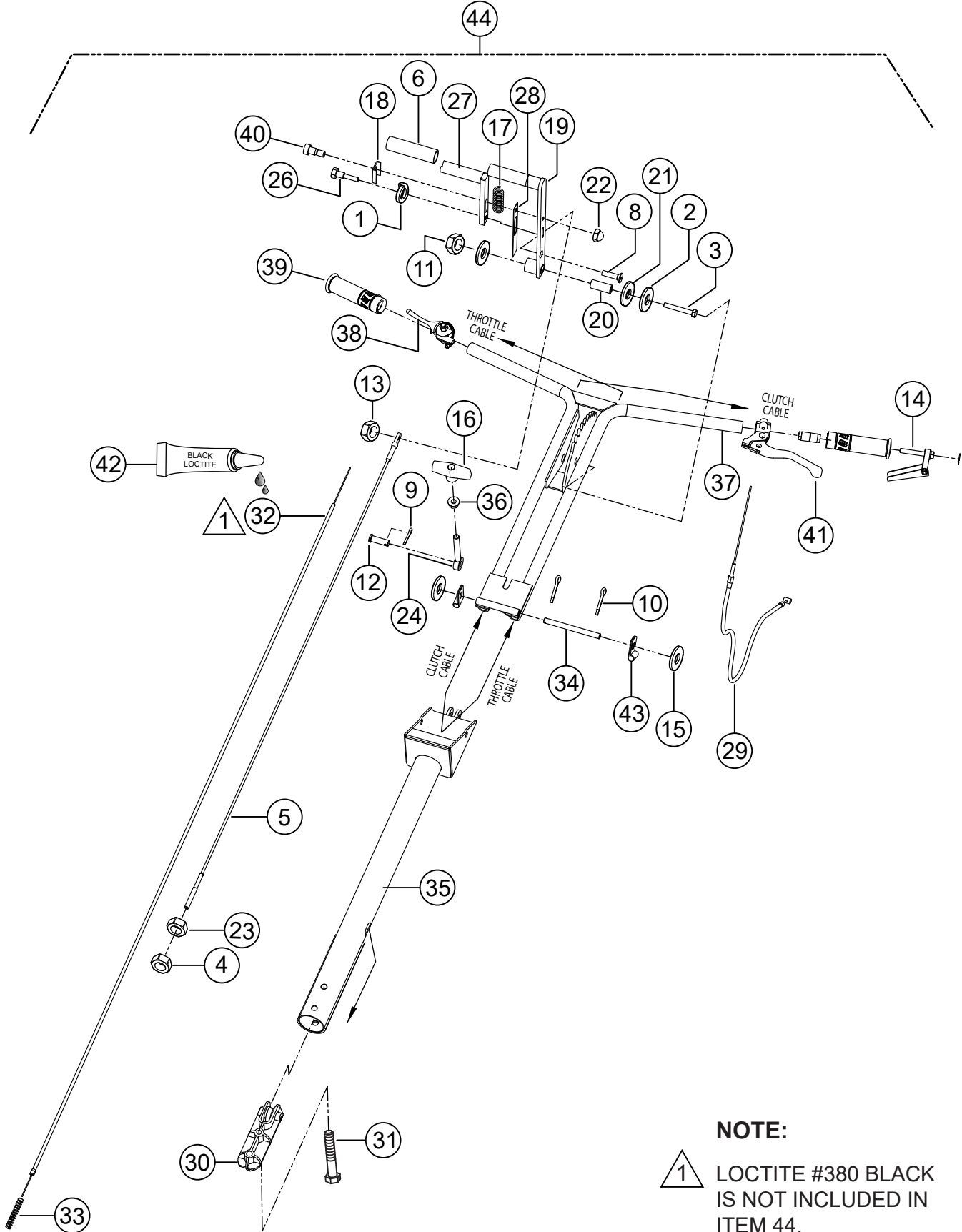
# NAMEPLATE AND DECALS



## NAMEPLATE AND DECALS

<u>NO.</u>	<u>PART NO.</u>	<u>PART NAME</u>	<u>QTY.</u>	<u>REMARKS</u>
1	10732	DECAL: CAUTION PITCH HANDLE	1	
2	2942	DECAL: MQ WHITEMAN, WHITE 13"	1	
3	32217	DECAL: TROWEL BLADES AVAIL. C SERIES	1	
4	11092	DECAL: CE	1	
5	21302	DECAL: WARNING, KEEP HANDS CLEAR	1	
6	1848	DECAL: BELT GUARD	1	
7	20816	DECAL: MQ MULTIQUIP	1	
8	35168	DECAL: ROTATING BLADE HAZARD	1	
9	30117	ISO DECAL: EYE, INSPECTION	1	
10		NAME PLATE .....	1	.....CONTACT MQ PARTS DEPT.
11	38707	ISO DECAL: PROP 65	1	
12	23701	ISO DECAL: ASK FOR TRAINING	1	
13	23699	ISO DECAL: READ MANUAL	1	
14	36099	ISO DECAL: PROTECTIVE CLOTHING	1	
15	23700	ISO DECAL: LIFTING/CRUSH HAZARD	1	
16	30538	DECAL: FLAG DESIGNED AND ASM IN USA	1	
17	23803-108	DECAL: GUARANTEED SOUND	1	

# QUICK PITCH™ HANDLE ASSY.



**NOTE:**

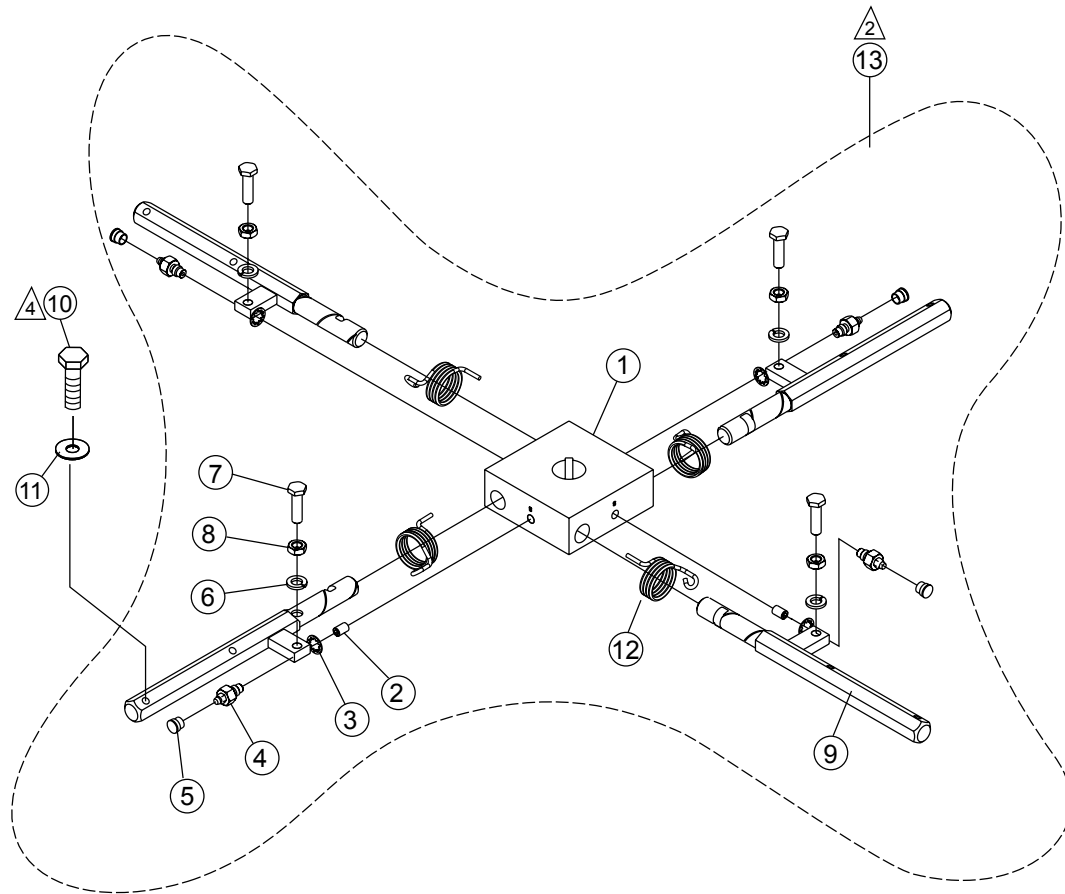
1 LOCTITE #380 BLACK IS NOT INCLUDED IN ITEM 44.



## QUICK PITCH™ HANDLE ASSY.

<u>NO.</u>	<u>PART NO.</u>	<u>PART NAME</u>	<u>QTY.</u>	<u>REMARKS</u>
1#	0161 C	LOCK WASHER 5/16"	1	
2#	0300 B	FLAT WASHER 5/16"	2	
3#	0669 A	SCREW, HHC 5/16- 18 X 2-1/4"	1	
4#	1116	NUT, BRASS, JAM, 5/16-18	1	
5#	1714	CABLE, PITCH CONTROL	1	
6#	1724	GRIP, HANDLE	1	
8#	3164	SCREW, FHSC 1/4- 20 X 1"	1	
9#	3216	COTTER PIN	1	
10#	5117	PIN, COTTER, 1/16 D X 1/2"	2\	
11#	5283	LOCK NUT 5/16- 18	1	
12#	5291	CLEVIS PIN	1	
13#	10024	LOCK NUT 1/4- 20	1	
14#	10036	CLUTCH ASSIST HANDLE ASSY.	1	
15#	10136	FLAT WASHER 3/8"	2	
16#	10651	TEE HANDLE	1	
17#	10654	LATCH RETURN SPRING	1	
18#	10655	LATCH RETURN SPRING COVER	1	
19#	10657	PITCH CONTROL HANDLE	1	
20#	10658	CONTROL HANDLE SUPPORT TUBE	1	
21#	10660	SHIM, 1.125" O.D. X .75" I.D. X .031"	1	
22#	10676	ACORN NUT 5/16- 18	1	
23#	10698	NUT, 15/16-18 CONICAL	1	
24#	10701	SWING BOLT	1	
26#	10878	QP LATCHING BOLT	1	
27#	10881	LATCHING BAR	1	
28#	11015	HANDLE SLIDER	1	
29#	11097	CABLE, ASSY., B HAND CLUTCH	1	
30#	20280	SUPPORT BLOCK	1	
31#	21017	SCREW, HHC 3/8- 16 X 3.25 FULL THRD	1	
32#	21726	CABLE, ASSY., 68"	1	
33#	21746	SPRING, PRIMARY THROTTLE RETURN	1	
34#	21758	PIN, HINGE, CA4 HANDLE	1	
35#	21779	HANDLE, LOWER CA4	1	
36#	21781	NUT, FLANGED HEX, 3/8-16 PLTD	1	
37#	21788	HANDLE, UPPER	1	
38#	22732	THROTTLE LEVER, ASSY.	1	
39#	22762	GRIP, HANDLE, 0.875 W/0.63 HOLE	2	
40#	3910382	SHOULDER BOLT 3/8 X 3/8	1	
41#	1512	CLUTCH HAND LEVER	1	
42	60113	LOCTITE, #380 BLACK	1	
43#	8128	CLAMP, HOSE 5/16" LOOP X .406 HOLE	2	
44	21440	HANDLE ASSY., MANUAL CLUTCH.....	1.....	INCLUDES ITEMS W/#

# SPIDER ASSY.



NOTES:

① APPLY LOCTITE P/N 1477 TO ITEMS 1.

② SPIDER ASSEMBLY P/N 11860  
② INCLUDES ALL ITEMS WITHIN OUTLINE.

③ INCLUDED WITH ITEM 15 OR CAN BE  
ORDERED SEPARATELY (P/N 1471)

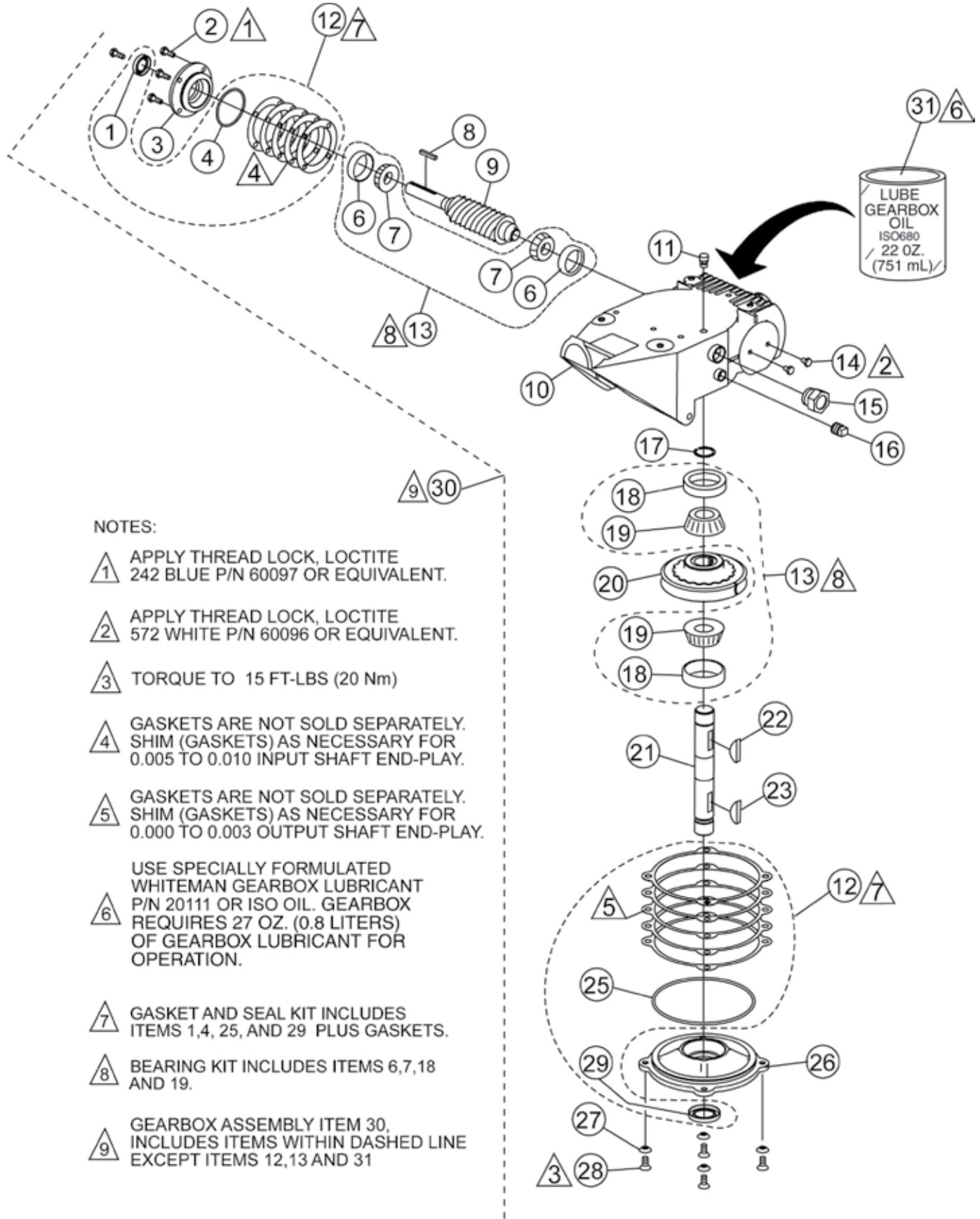
④ TORQUE TO 130 FT.-LBS (176 Nm)

# SPIDER ASSY.

---

<u>NO.</u>	<u>PART NO.</u>	<u>PART NAME</u>	<u>QTY.</u>	<u>REMARKS</u>
1	10563	SPIDER PLATE, 1-1/8 SHAFT 4BLD CA4	1	
2	11299	SCREW, SHS 5/16-18 X 9/16 CONE PT	2	
3	1875	WASHER, INT. SHKP, 3/8	4	
4	10587	ARM RETAINING ASSY, SHORT	4	
5	1162 A	CAP, GREASE ZERK #2 YELLOW	4	
6	0166 A	WASHER, LOCK, 3/8 MED.	4	
7	0164 B	SCREW, TROWEL ADJUSTMENT 3/8-16	4	
8	1876	NUT, HEX JAM 3/8-16 CLASS 2B	4	
9	10768	ARM, TROWEL W/A	4	
10	10790	SCREW, HHC M6- 1 X 30MM	8	
11	0181 B	LOCK WASHER 1/4"	8	
12	30148	SPRING, TROWEL ARM CA4	4	
13	11860	SPIDER ASM.....	1.....	INCLUDES ITEMS W/*

# GEARBOX ASSY.



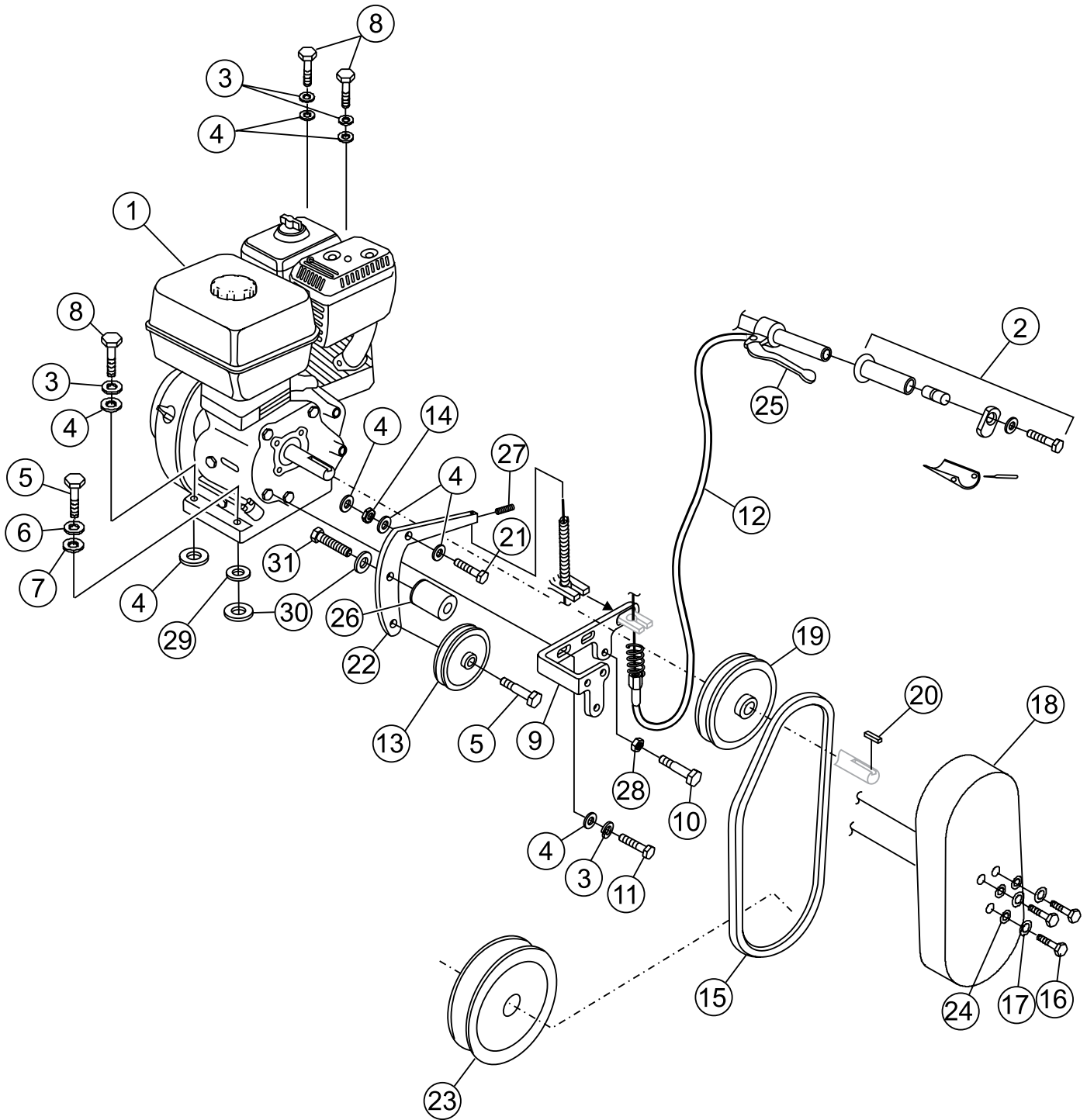
**NOTES:**

- 1 △ APPLY THREAD LOCK, LOCTITE 242 BLUE P/N 60097 OR EQUIVALENT.
- 2 △ APPLY THREAD LOCK, LOCTITE 572 WHITE P/N 60096 OR EQUIVALENT.
- 3 △ TORQUE TO 15 FT-LBS (20 Nm)
- 4 △ GASKETS ARE NOT SOLD SEPARATELY. SHIM (GASKETS) AS NECESSARY FOR 0.005 TO 0.010 INPUT SHAFT END-PLAY.
- 5 △ GASKETS ARE NOT SOLD SEPARATELY. SHIM (GASKETS) AS NECESSARY FOR 0.000 TO 0.003 OUTPUT SHAFT END-PLAY.
- 6 △ USE SPECIALLY FORMULATED WHITEMAN GEARBOX LUBRICANT P/N 20111 OR ISO OIL. GEARBOX REQUIRES 27 OZ. (0.8 LITERS) OF GEARBOX LUBRICANT FOR OPERATION.
- 7 △ GASKET AND SEAL KIT INCLUDES ITEMS 1,4, 25, AND 29 PLUS GASKETS.
- 8 △ BEARING KIT INCLUDES ITEMS 6,7,18 AND 19.
- 9 △ GEARBOX ASSEMBLY ITEM 30, INCLUDES ITEMS WITHIN DASHED LINE EXCEPT ITEMS 12,13 AND 31

## GEARBOX ASSY.

<u>NO.</u>	<u>PART NO.</u>	<u>PART NAME</u>	<u>QTY.</u>	<u>REMARKS</u>
1%*	0753	SEAL, OIL NATIONAL	1	
2%	0131 A	SCREW, HHC 1/4-20 X 3/4"	4	
3%	12876	FLANGE, INPUT SHAFT	1	
4%*	20395	RING, O -139 BUNA N	1	
6%#	21218	BEARING, CUP, TIMKEN	2	
7%#	20465	BEARING, CONE, TIMKEN	2	
8%	0627	KEY, SQUARE 3/16" X 1-1/4"	1	
9%	1851	GEAR, WORM & SHAFT ASSY.	1	
10%	21454	CASE, GEAR	1	
11%	21218	VENT, AIR	1	
12	21046	GASKET/SEAL KIT.....	1	INCLUDES ITEMS W/*
13	21047	KIT, BEARING/SEAL.....	1	INCLUDES ITEMS W/#
14%	20476	SCREW, HHC 1/4-28 X 3/8"	2	
15%	21033	SIGHT GLASS, 3/4 M PIPE STEEL	1	
16%	0121 A	FITTING, PLUG 3/8 MP SQ HEAD	1	
17%	1138	RING, SNAP, TRUARC 5100-112	1	
18%#	20475	BEARING, CUP TIMKEN	2	
19%#	20474	BEARING, CONE TIMKEN	2	
20%	1140	GEAR, WORM, BRONZE	1	
21%	21435	SHAFT, OUTPUT	1	
22%	1139	KEY, WOODRUFF #810 HARDENED	1	
23%*	1139	KEY, WOODRUFF #810 HARDENED	1	
25%*	20396	RING, O -257 BUNA N	1	
26%	12875	COVER, GEARBOX	1	
27%	10235	WASHER, C/S EXT. SHKP	4	
28%*	1146	SCREW, FHSC 5/16-18 X 1", NYLOC NP	4	
29%*	0254	SEAL, OIL, NATIONAL	1	
30	21436	GEARBOX ASSY., W/OIL.....	1	INCLUDES ITEMS W/%
31	20111	BOTTLE, SYNTHETIC OIL, 22 OZ. (751 mL).....	2	REQUIRES 27 OZ. (798 mL)

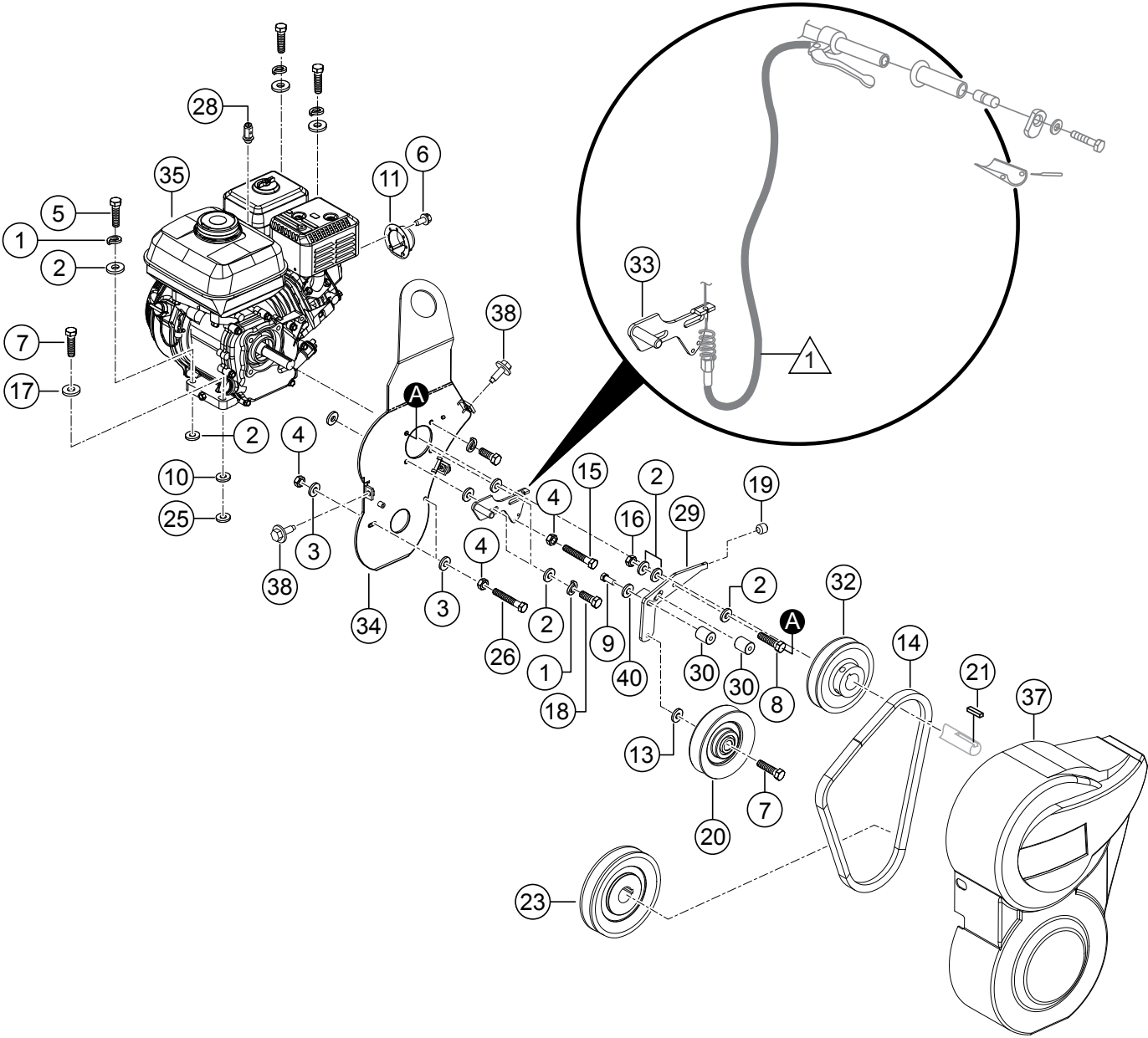
# ENGINE ASSY. (S/N CL0132684 AND BELOW)



## ENGINE ASSY. (S/N CL0132684 AND BELOW)

<u>NO.</u>	<u>PART NO.</u>	<u>PART NAME</u>	<u>QTY.</u>	<u>REMARKS</u>
1	21387	ENGINE, 4 HP. HONDA GX120K1QX2	1	
2	10036	HANDLE ASSY., CLUTCH ASSIST	1	
3	0161 C	LOCK WASHER 5/16"	5	
4	0300 B	FLAT WASHER 5/16"	11	
5	1284	SCREW, HHC 3/8-16 X 1-1/2"	2	
6	0166 A	LOCK WASHER 3/8"	1	
7	10136	FLAT WASHER 3/8"	1	
8	0105	SCREW, HHC 5/16-18 X 1-1/2"	2	
9	10644	CLUTCH BRACKET	1	
10	5277	SCREW, HHC 1/4-20 X 1-1/2"	1	
11	10229	SCREW, HHC 5/16-24 X 1"	2	
12	10936	CABLE ASSY., HAND CLUTCH	1	
13	10608	IDLER PULLEY	1	
14	6014 C	NUT, HEX 5/16-24	1	
15	10611	BELT (A21)	1	
16	0730	SCREW, HHC 1/4-20 X 1"	3	
17	0181 B	LOCK WASHER 1/4"	5	
18	10661	BELT GUARD .....	1	SAFETY ITEM
19	21492	PULLEY	1	
20	10909	SQUARE KEY 3/16" X 3/16" X 13/16"	1	
21	10181	SCREW, HHC 5/16-24 X 1-1/4"	1	
22	20979	CLUTCH LEVER	1	
23	10610	PULLEY	1	
24	0948	FLAT WASHER 1/4"	5	
25	1512	CONTROL LEVER, HAND CLUTCH	1	
26	20981	SHOE, BELT HAND CLUTCH	1	
27	10450	SCREW, SHS 10-32 X 1/4"	1	
28	0949	HEX NUT 1/4-20	1	
29	1733	WASHER, 1/2 X 1/32"	1	
30	13351	WASHER, FLAT USS 3/8" EXT. THK.	1	
31	1672	SCREW, HHC 3/8-24 X 1"	1	

# ENGINE ASSY. (S/N CL0132685 - RC0158421)



**NOTE:**

 SEE HANDLE ASSY.

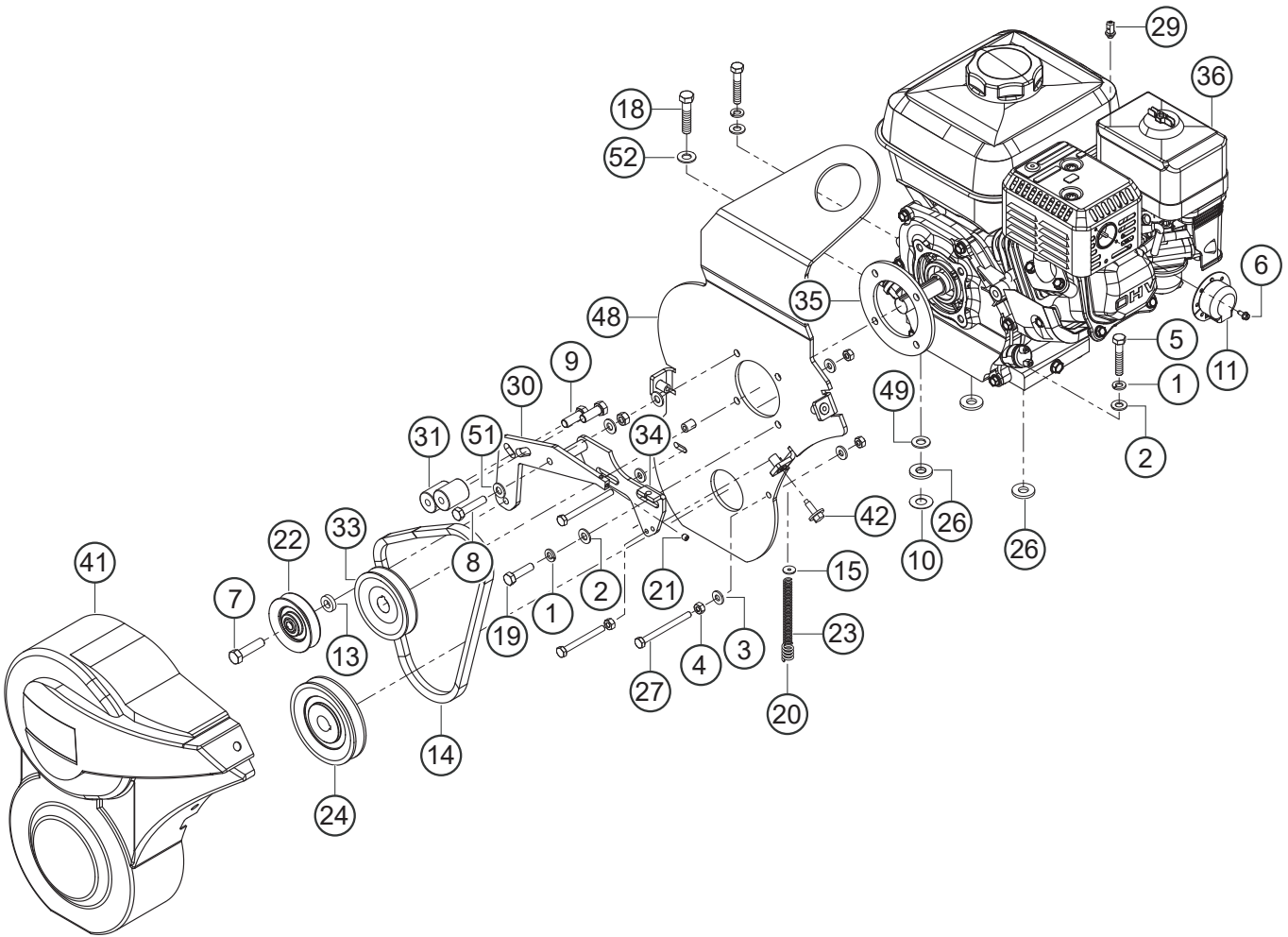


## **ENGINE ASSY. (S/N CL0132685 - RC0158421)**

---

<u>NO.</u>	<u>PART NO.</u>	<u>PART NAME</u>	<u>QTY.</u>	<u>REMARKS</u>
1	0161 C	LOCK WASHER 5/16"	6	
2	0300 B	FLAT WASHER 5/16"	12	
3	0948	FLAT WASHER 1/4"	4	
4	0949	HEX NUT 1/4-20	5	
5	1207	SCREW, HHC 5/16-18 X 1-3/4"	3	
6	1273	SCREW, HHST 3-32 X 3/8"	2	
7	1284	SCREW, HHC 3/8-16 X 1-1/2"	2	
8	1391	SCREW, HHC 5/16-24 X 1-1/2" ZINC	1	
9	1672	SCREW, HHC 3/8-24 X 1"	2	
10	1733	WASHER, 1/2 X 1/32"	1	
11	1834	DEFLECTOR, HONDA EXHAUST	1	
13	1897	SPACER, 0.75" OD X 0.38" ID X 0.188"	1	
14	2343	BELT (A25)	1	
15	4538	SCREW, HHC 1/4-20 X 2-1/2"	1	
16	6014 C	NUT, HEX 5/16-24	1	
17	10136	FLAT WASHER 3/8"	1	
18	10181	SCREW, HHC 5/16-24 X 1-1/4"	3	
19	10450	SCREW, SHS 10-32 X 1/4"	1	
20	10608	PULLEY, IDLER	1	
21	10909	SQUARE KEY 3/16" X 11/16"	1	
23	11043	PULLEY, AK41 X 3/4"	1	
25	13351	WASHER, FLAT USS 3/8" EXT. THK.	1	
26	19380	SCREW, HHC 1/4-20 X 3"	2	
28	20845	SWIVEL, ASSY. THROTTLE CABLE	1	
29	20977	CLUTCH LEVER	1	
30	20981	SHOE, BELT HAND CLUTCH	2	
32	21675	PULLEY AK-32 X 3/4"	1	
33	21713	CLUTCH BRACKET	1	
34	21752	BRACKET, LIFT BALE/ PULLEY GUARD	1	
35	22900	ENGINE, HONDA GX120 TIER 3 (3.5 HP)	1	
37	30102-001	BELT GUARD	1	
38	30119	SCREW, 1/4-20 X 7/8" IND HEX, DOG PT	3	
40	933242	WASHER, FLAT SAE 3/8" GRD 9 YZ	2	

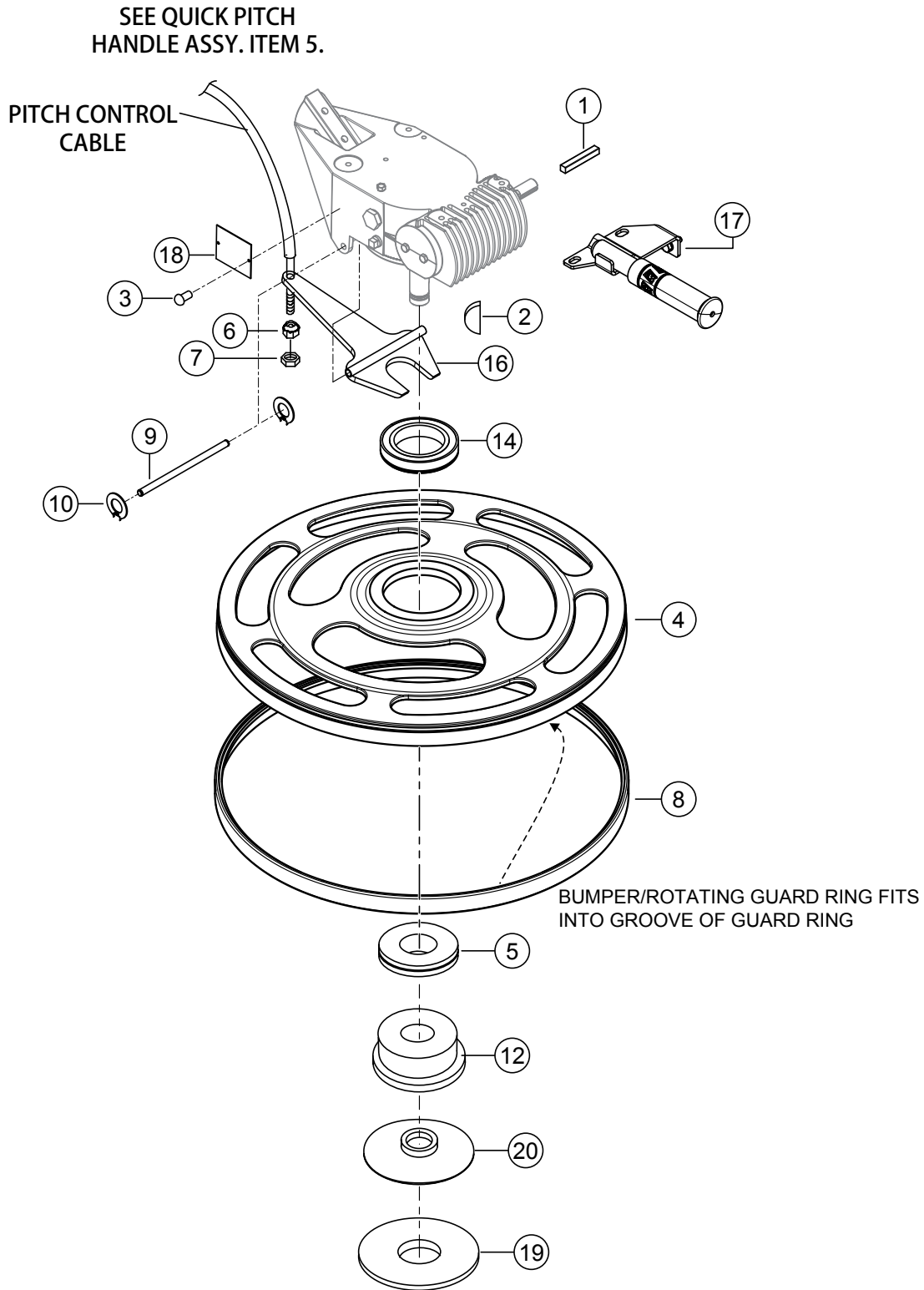
# ENGINE ASSY. (S/N RC0158422 AND ABOVE)



## ENGINE ASSY. (S/N RC0158422 AND ABOVE)

<u>NO.</u>	<u>PART NO.</u>	<u>PART NAME</u>	<u>QTY.</u>	<u>REMARKS</u>
1	0161 C	LOCK WASHER 5/16"	6	
2	0300 B	FLAT WASHER 5/16"	12	
3	0948	FLAT WASHER 1/4"	4	
4	0949	HEX NUT 1/4-20	5	
5	0105	SCREW, HHC 5/16-18 X 1-1/2"	3	
6	1273	SCREW, HHF, #8-32 X 3/8"	2	
7	1284	SCREW, HHC 3/8-16 X 1-1/2"	1	
8	1391	SCREW, HHC 5/16-24 X 1-1/2" ZINC	1	
9	1672	SCREW, HHC 3/8-24 X 1"	2	
10	1733	WASHER, 1/2 X 1/32"	1	
11	1834	DEFLECTOR, EXHAUST	1	
13	1897	SPACER, 0.75" OD X 0.38" ID X 0.188"	1	
14	2343	BELT (A25)	1	
15	2880	WASHER, RETENTION	1	
16	4538	SCREW, HHC 1/4-20 X 2-1/2"	1	
17	6014 C	NUT, HEX 5/16-24	1	
18	1284	SCREW, HHC 3/8-16 X 1-1/2"	1	
19	10181	SCREW, HHC 5/16-24 X 1-1/4"	3	
20	10449	SPRING COMPRESSION, SHORT	1	
21	10450	SCREW, SHS 10-32 X 1/4"	1	
22	10608	PULLEY, IDLER	1	
23	10670	SPRING, CLUTCH RETURN	1	
24	11043	PULLEY, AK41 X 3/4"	1	
26	13351	WASHER, FLAT 3/8"	4	
27	19380	SCREW, HHC 1/4-20 X 3"	2	
29	20845	SWIVEL, ASSY., THROTTLE CABLE	1	
30	20977	LEVER, CUTCH	1	
31	20981	SHOE, BELT HAND CLUTCH	2	
33	21675	PULLEY AK-32 X 3/4"	1	
34	21713	CLUTCH BRACKET	1	
35	21915	SPACER, LIFTING BALE	1	
36	22901	ENGINE, HONDA GX160	1	
41	30102-001	BELT GUARD, TROWEL	1	
42	30119	SCREW, 1/4-20 X 7/8" IND. HEX.	3	
48	48494	LIFTING BALE ASSY.	1	
49	48784	WASHER, TROWEL STEEL 3/8"	1	
51	933241	WASHER, FLAT SAE 5/16"	3	
52	933242	WASHER, FLAT SAE 3/8"	1	

# GUARD RING ASSY.

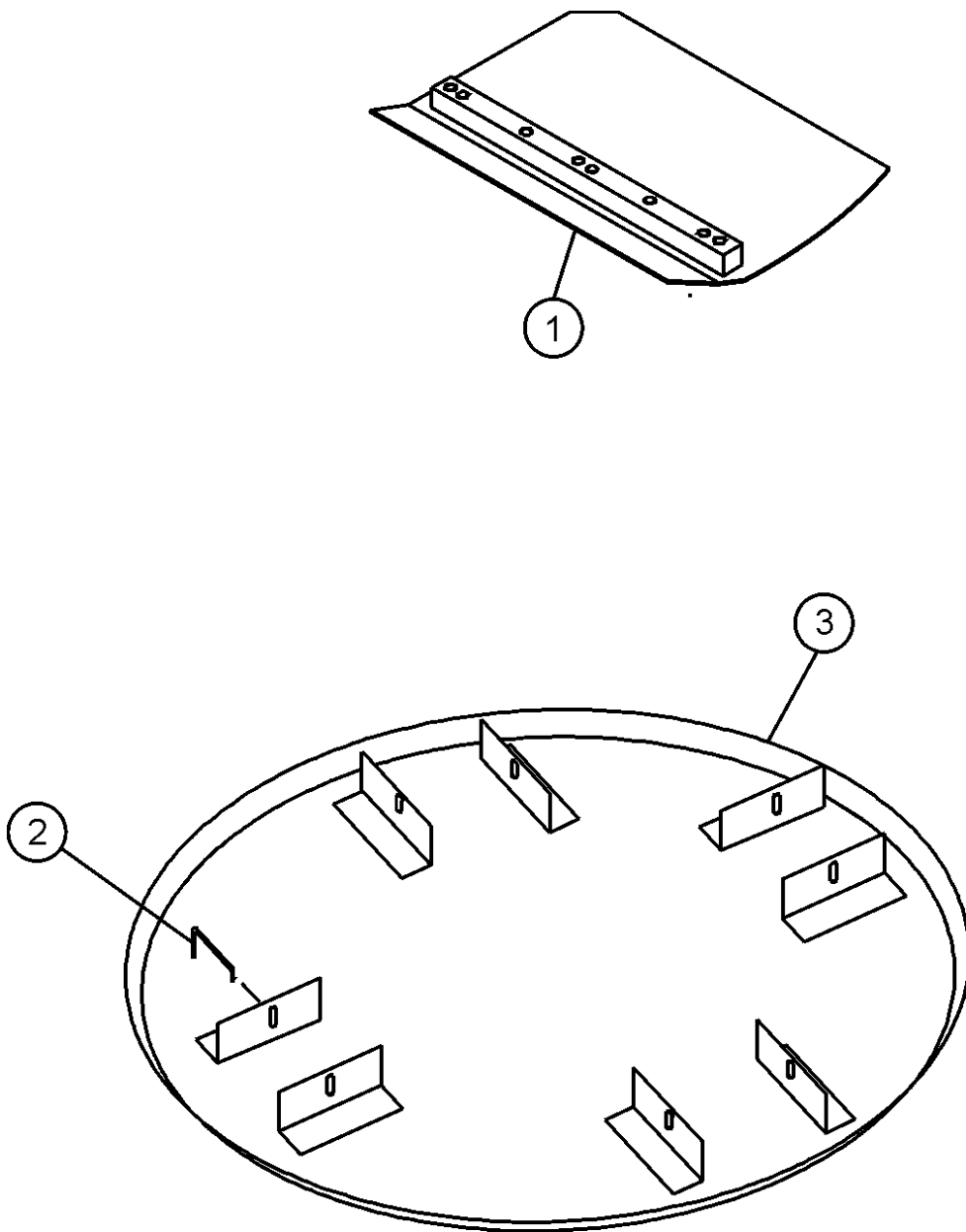


## GUARD RING ASSY.

<u>NO.</u>	<u>PART NO.</u>	<u>PART NAME</u>	<u>QTY.</u>	<u>REMARKS</u>
1	0627	KEY, 3/16" X 1-1/4"	1	
2	1139	KEY, WOODRUFF 1/4 X 1-1/4" (#21) HRDND	1	
3	4014	SCREW, 2-3/16" P-K TYPE U DRIVE	2	
4	21433	RING, ROTATING GUARD	1	
5	10607	BEARING, THRUST 6207, SEALED BOTH SIDES	1	
6	10698	NUT, ADJUSTING 5/16-18	1	
7	1116	NUT, BRASS JAM 5/16-18	1	
8	24304	BUMBER	1	
9	20801	PIN, YOKE	1	
10	20802	RING, SNAP, TRUARC 5100-37 or EQUAL JA	2	
11	21433	RING, ROTATING GUARD	1	
12	21434	SLEEVE, PITCH	1	
14	21441	BEARING, 2.9375" I.D. 4.527" O.D.	1	
15	24304	BUMPER, 24" ROTATING GUARD RING	1	
16	21477	YOKE W/A, CA4	1	
17	22673	LIFT BRACKET ASM, CA4	1	
18		SERIAL PLATE .....	1	.....CONTACT MQ PARTS DEPT.
19	10639	WEAR PLATE	1	
20	10567	THRUST COLLAR	1	

# BLADES AND PAN ASSY.

---

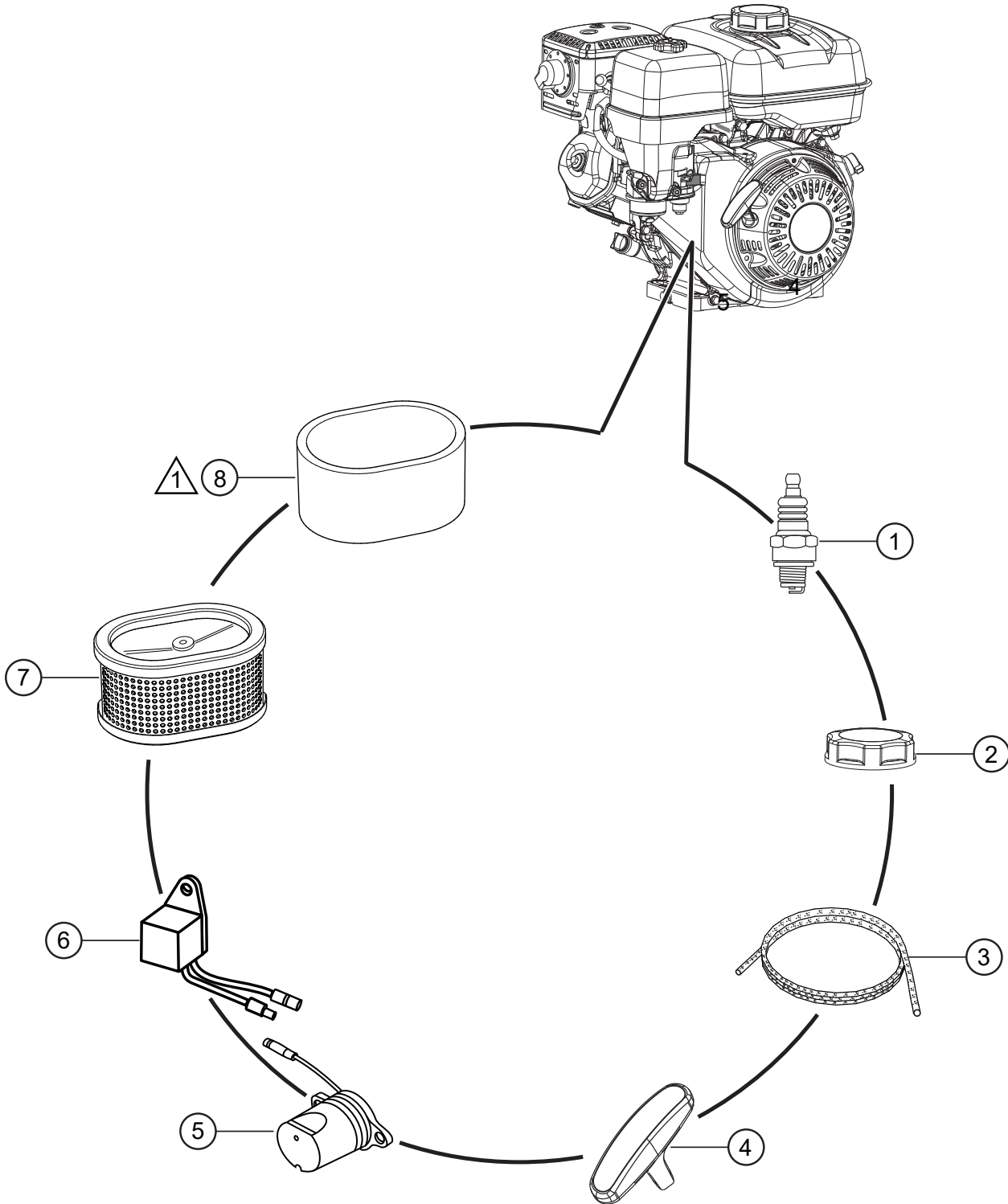


## BLADES AND PAN ASSY.

---

<u>NO.</u>	<u>PART NO.</u>	<u>PART NAME</u>	<u>QTY.</u>	<u>REMARKS</u>
1		COMBO FLOAT & FINISH BLADE .....	4.....	CONTACT UNIT SALES DEPT./ ACCESSORY ITEM
2		FLOAT DISC LATCH PIN.....	4.....	CONTACT UNIT SALES DEPT./ ACCESSORY ITEM
3		FLOAT DISC .....	1.....	CONTACT UNIT SALES DEPT./ ACCESSORY ITEM

# ENGINE SERVICE PARTS



## NOTES:

① INCLUDED WITH ITEM 7.



## ENGINE SERVICE PARTS

<u>NO.</u>	<u>PART NO.</u>	<u>PART NAME</u>	<u>QTY.</u>	<u>REMARKS</u>
1	9807955855	SPARK PLUG (GX120K1QX2)	1	
1	9807955876	SPARK PLUG (GX120UT1QX2)	1	
1	9807956846	SPARK PLUG BPR6EX (GX160UT2QX2)	1	
2	17631ZH7003	TANK CAP (GX120K1QX2)	1	
2	17620Z0T813	TANK CAP (GX120UT1QX2).....	1.....	S/N 1120058 AND BELOW
2	17620Z4H000	TANK CAP (GX120UT1QX2).....	1.....	S/N 1120059 TO 1188057)
2	17620Z4H010	TANK CAP (GX120UT1QX2).....	1.....	S/N 1188058 TO 1206680)
2	17620Z4H020	TANK CAP (GX120UT1QX2).....	1.....	S/N 1206681 AND ABOVE
2	17620Z4H900	TANK CAP (GX160UT2QX2)	1	
3	28462ZH8003	ROPE, RECOIL STARTER	1	
4	28461ZH8003	GRIP, RECOIL STARTER	1	
4	28461Z4M305	GRIP, RECOIL STARTER (GX160UT2QX2)	1	
5	15510ZE1033	OIL LEVEL SWITCH.....	1.....	S/N 1111367 AND BELOW
5	35480Z0T003	OIL LEVEL SWITCH.....	1.....	S/N 1111368 AND ABOVE
6	34150ZH7023	OIL ALERT UNIT (GX160UT2QX2)	1	
7	17210ZE0505	AIR CLEANER ELEMENT (GX120K1QX2).....	1.....	INCLUDES ITEMS W/#
7	17210ZE0822	AIR CLEANER ELEMENT (GX120UT1QX2) ....	1.....	INCLUDES ITEMS W/%
7	17210Z4M821	AIR CLEANER ELEMENT (GX160UT2QX2) ....	1.....	INCLUDES ITEMS W/\$
8#	17218ZE0505	OUTER FILTER (GX120K1QX2)	1	
8%	17218ZE0820	OUTER FILTER (GX120UT1QX2)	1	
8\$	17218ZE1507	OUTER FILTER (GX160UT2QX2)	1	

# PARTS MANUAL

## HERE'S HOW TO GET HELP

PLEASE HAVE THE MODEL AND SERIAL  
NUMBER ON-HAND WHEN CALLING

### UNITED STATES

#### *Multiquip Inc.*

(310) 537- 3700  
6141 Katella Avenue Suite 200  
Cypress, CA 90630  
E-MAIL: [mq@multiquip.com](mailto:mq@multiquip.com)  
WEBSITE: [www.multiquip.com](http://www.multiquip.com)

---

### CANADA

#### *Multiquip*

(450) 625-2244  
4110 Industriel Boul.  
Laval, Quebec, Canada H7L 6V3  
E-MAIL: [infocanada@multiquip.com](mailto:infocanada@multiquip.com)

### UNITED KINGDOM

#### *Multiquip (UK) Limited Head Office*

0161 339 2223  
Unit 2, Northpoint Industrial Estate, Globe Lane,  
Dukinfield, Cheshire SK16 4UJ  
E-MAIL: [sales@multiquip.co.uk](mailto:sales@multiquip.co.uk)

© COPYRIGHT 2024, MULTIQUIP INC.

Multiquip Inc, the MQ logo are registered trademarks of Multiquip Inc. and may not be used, reproduced, or altered without written permission. All other trademarks are the property of their respective owners and used with permission.

This manual MUST accompany the equipment at all times. This manual is considered a permanent part of the equipment and should remain with the unit if resold.

The information and specifications included in this publication were in effect at the time of approval for printing. Illustrations, descriptions, references and technical data contained in this manual are for guidance only and may not be considered as binding. Multiquip Inc. reserves the right to discontinue or change specifications, design or the information published in this publication at any time without notice and without incurring any obligations.



**P/N 21692**