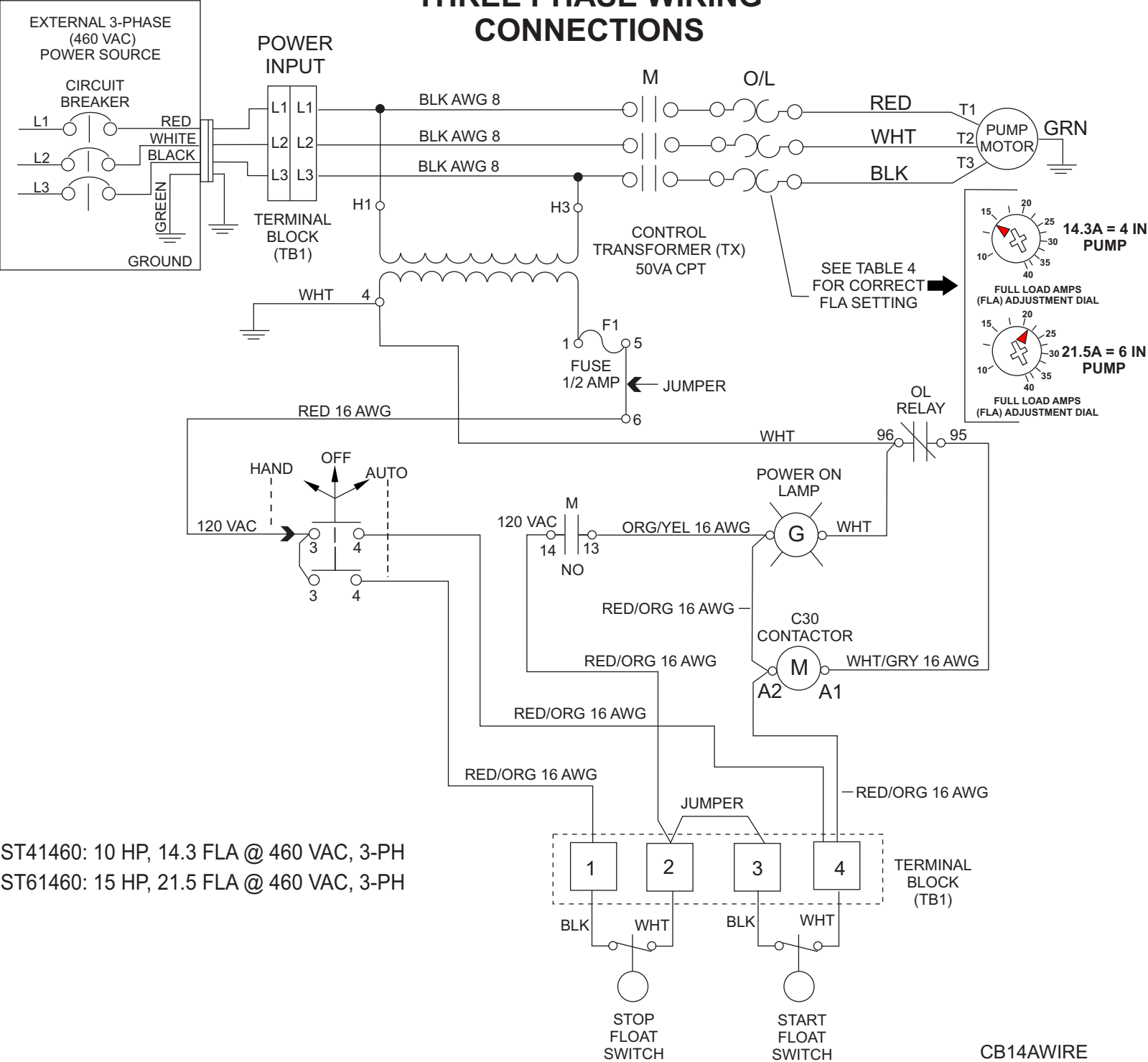


# CB145663, 460 VAC THREE PHASE WIRING CONNECTIONS



ST41460: 10 HP, 14.3 FLA @ 460 VAC, 3-PH  
 ST61460: 15 HP, 21.5 FLA @ 460 VAC, 3-PH

CB14AWIRE  
 Applicable  
 Feb. 1, 2024~