

CB6 Control Box
 For Model: ST3020BCUL

NOTE: Consult the owner's manual for installation instructions.

INCOMING VOLTAGE
 MAXIMUM: 250V, 1PH, 2W, 60Hz

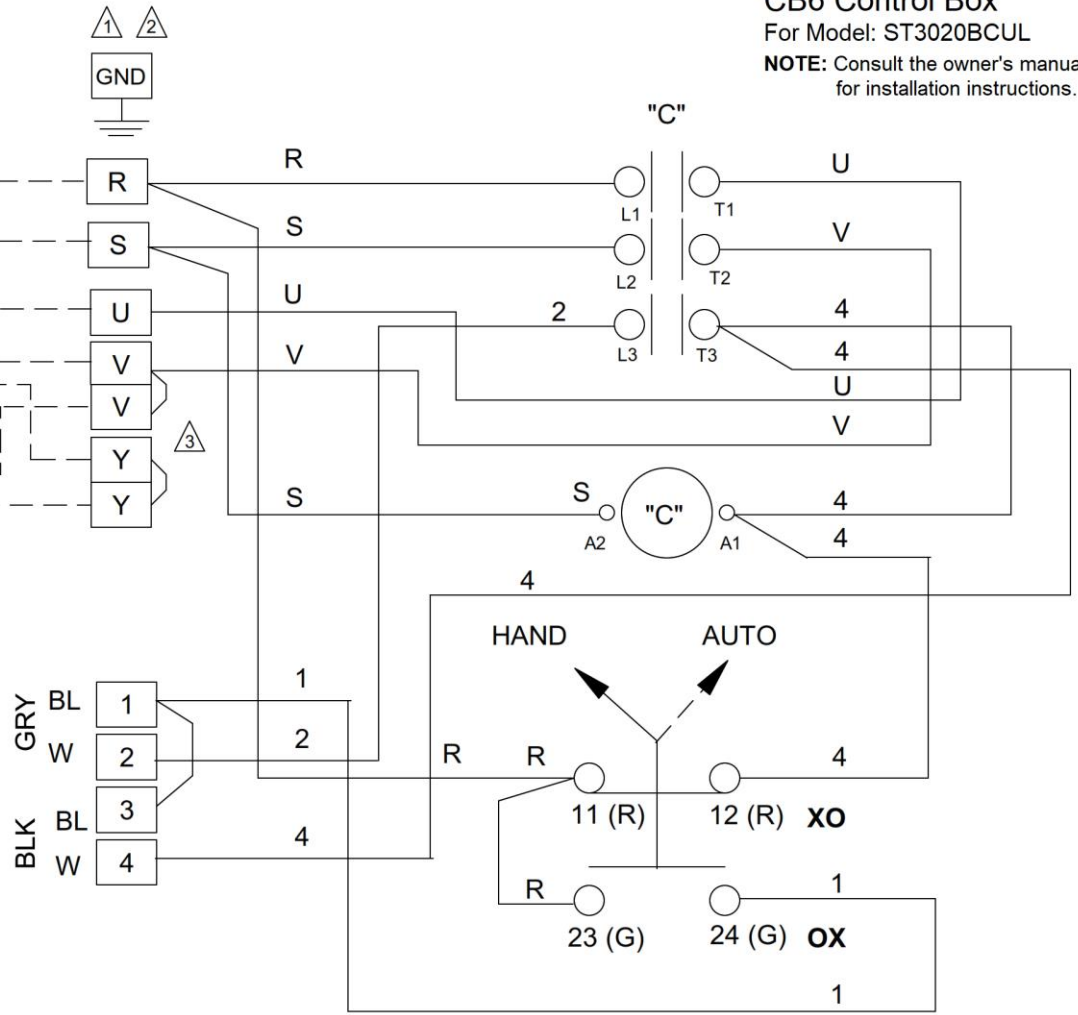
CIRCUIT PROTECTION
 BY OTHERS

230VAC
 1PH, 60Hz

TO PUMP
 2HP, 230V
 1PH
 12A

"V" connects to one side of capacitors.
 "Y" connects to other side of capacitors.
Not applicable to MQ Pump

TO FLOAT SWITCHES



Multiquip Inc.
 www.multiquip.com