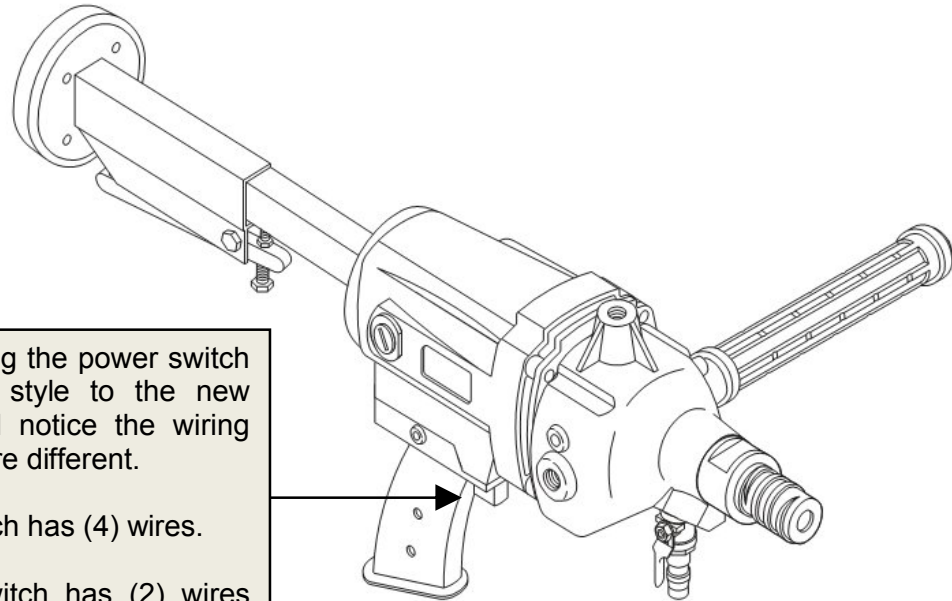


POWER SWITCH WIRING

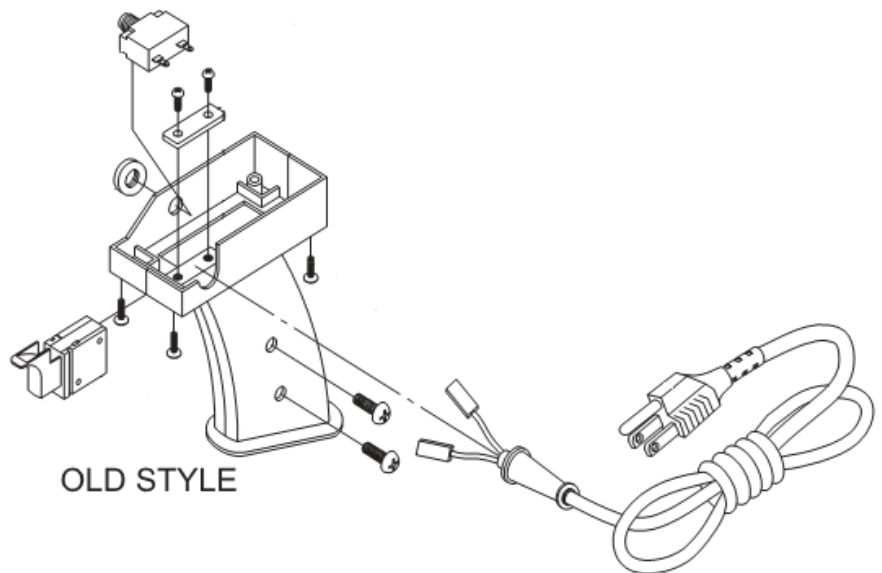
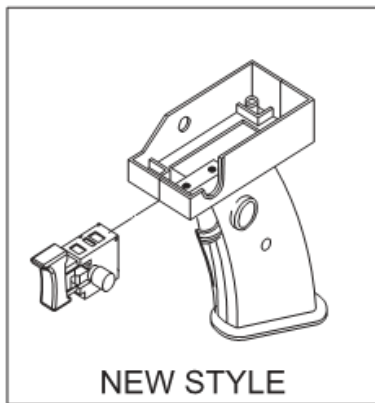
This documentation can be used when replacing the power switch.



When replacing the power switch from the old style to the new style, you will notice the wiring connections are different.

Old Style switch has (4) wires.

New Style switch has (2) wires and a speed lock button.



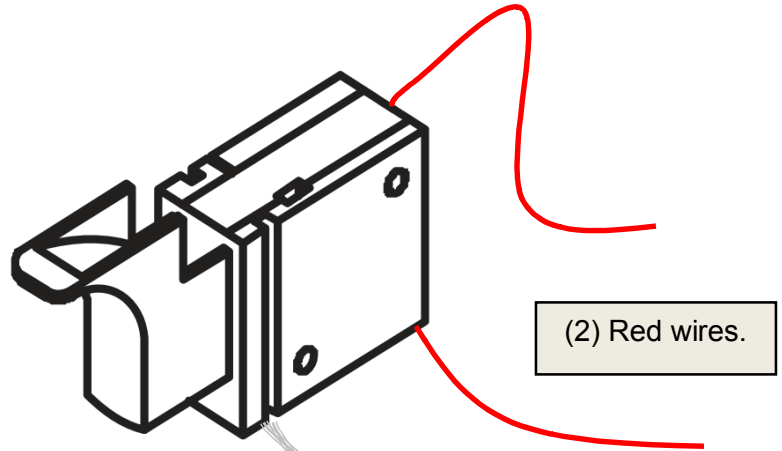
(see pages 3 – 4 for diagrams)



Technical Information

OLD STYLE switch has (4) wires connecting to the switch.

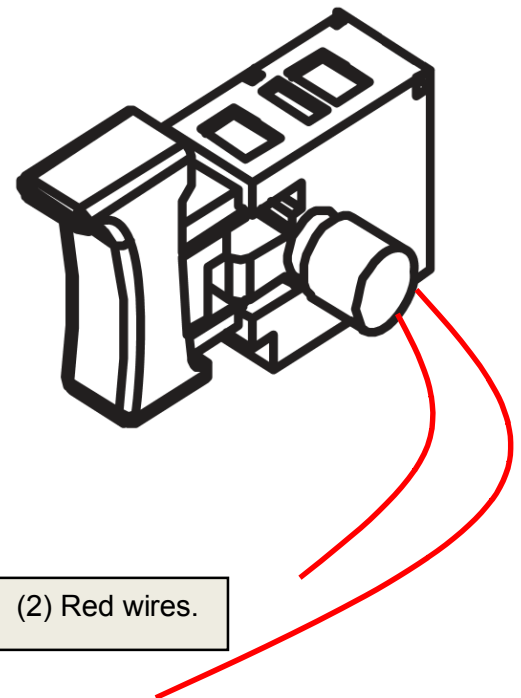
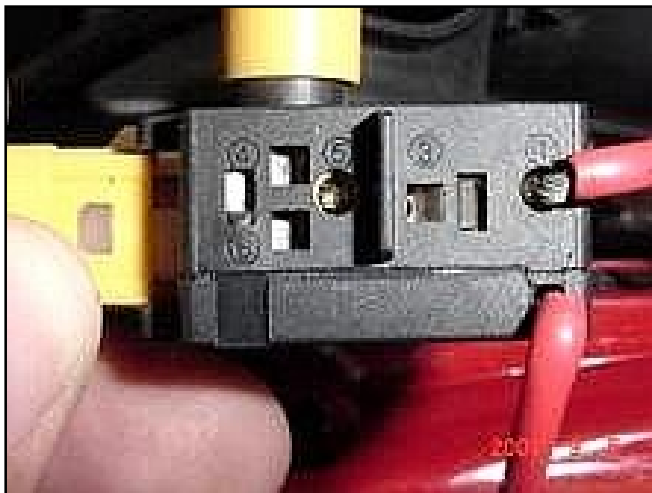
MQ part # (CD101551)



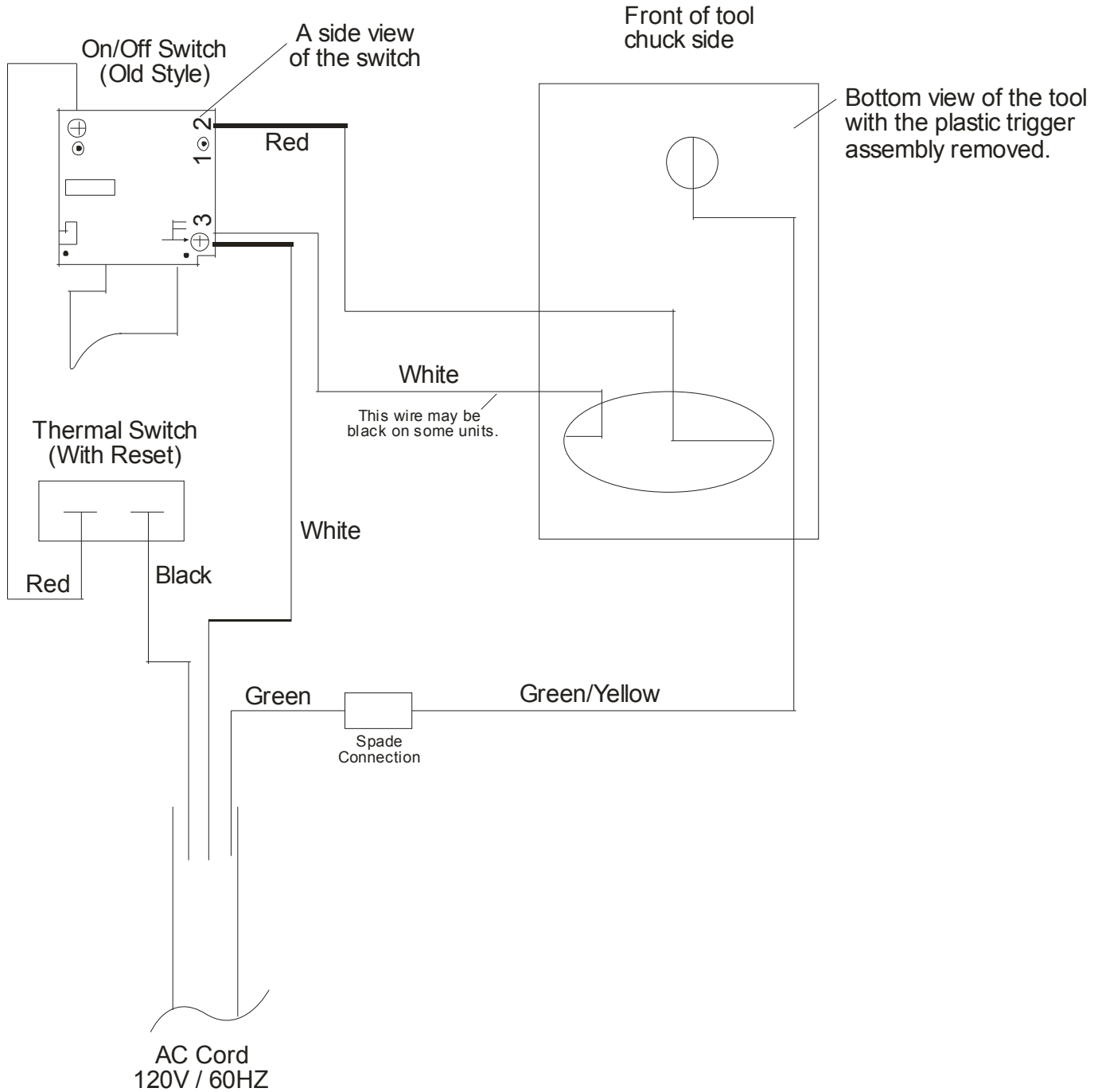
(2) White wires.

NEW STYLE switch has (2) wires connecting to the switch and a speed lock button

MQ part # (CD101577)

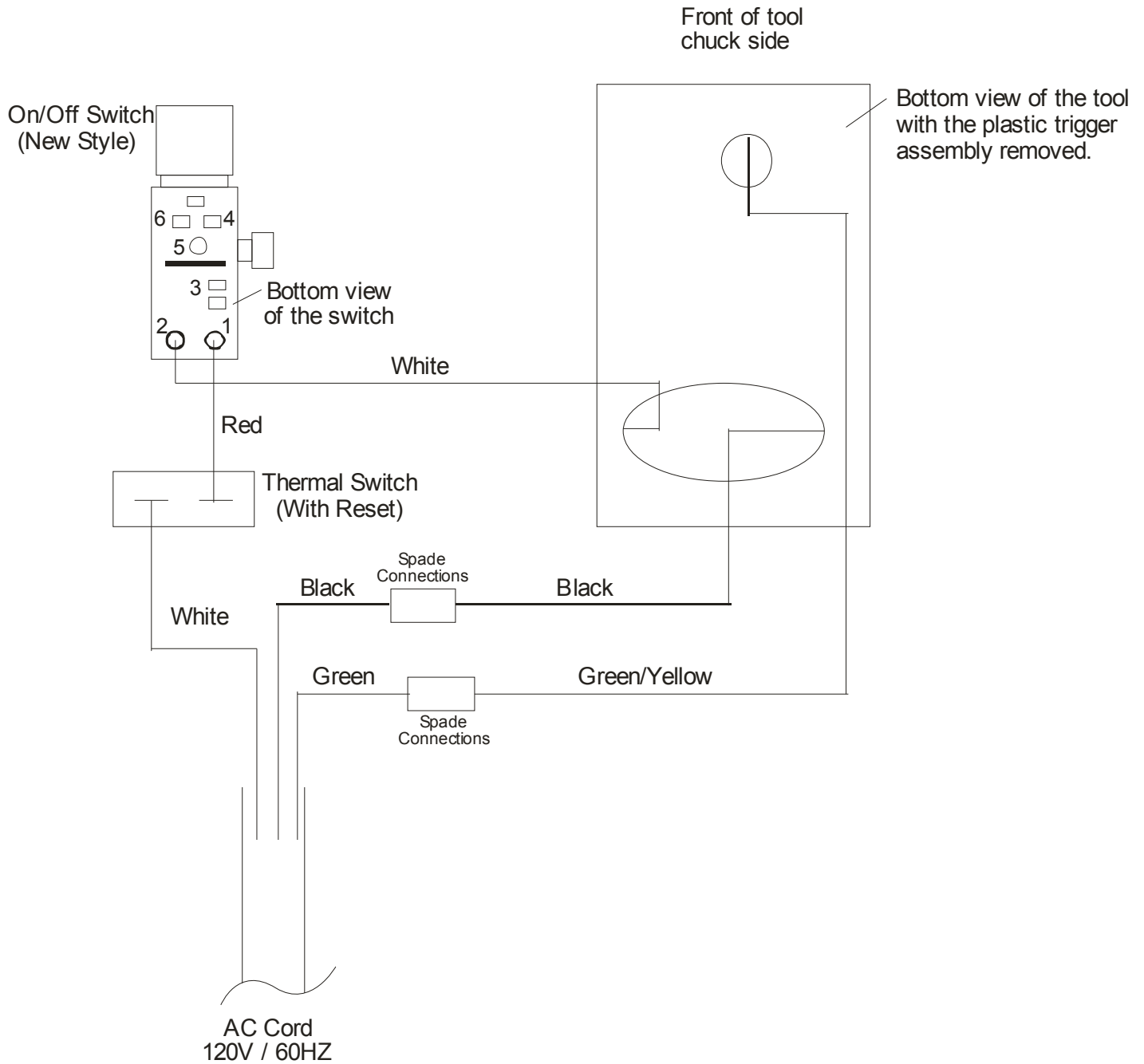


OLD STYLE SWITCH WIRE DIAGRAM



MQ part # (CD101551)

NEW STYLE SWITCH WIRE DIAGRAM



MQ part # (**CD101577**)