

# PARTS MANUAL

# STOW

A DIVISION OF MULTQUIP INC.

## MODELS

**CS403016**

**CS403020**

**CS403026**

**CS403030**

## PAVEMENT SAW

**(DEUTZ F2L2011 DIESEL ENGINE)**

Revision #0 (02/29/08)

To find the latest revision of this  
publication, visit our website at:  
[www.multiquip.com](http://www.multiquip.com)



**THIS MANUAL MUST ACCOMPANY THE EQUIPMENT AT ALL TIMES.**

**P/N 37750**



**CALIFORNIA — Proposition 65 Warning**

Engine exhaust and some of its constituents, and some dust created by power sanding, sawing, grinding, drilling and other construction activities contains chemicals known to the State of California to cause cancer, birth defects and other reproductive harm. Some examples of these chemicals are:

- Lead from lead-based paints.
- Crystalline silica from bricks.
- Cement and other masonry products.
- Arsenic and chromium from chemically treated lumber.

Your risk from these exposures varies, depending on how often you do this type of work. To reduce your exposure to these chemicals: ALWAYS work in a well ventilated area, and work with approved safety equipment, such as dust masks that are specially designed to filter out microscopic particles.

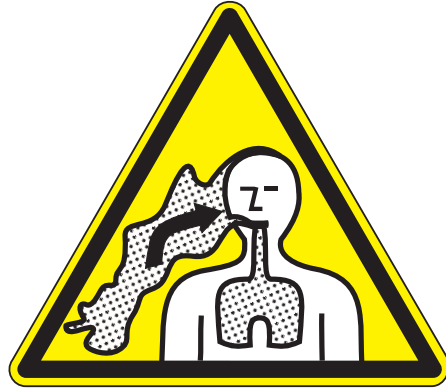
## **WARNING**



### **SILICOSIS WARNING**

Grinding/cutting/drilling of masonry, concrete, metal and other materials with silica in their composition may give off dust or mists containing crystalline silica. Silica is a basic component of sand, quartz, brick clay, granite and numerous other minerals and rocks. Repeated and/or substantial inhalation of airborne crystalline silica can cause serious or fatal respiratory diseases, including silicosis. In addition, California and some other authorities have listed respirable crystalline silica as a substance known to cause cancer. When cutting such materials, always follow the respiratory precautions mentioned above.

## **WARNING**



### **RESPIRATORY HAZARDS**

Grinding/cutting/drilling of masonry, concrete, metal and other materials can generate dust, mists and fumes containing chemicals known to cause serious or fatal injury or illness, such as respiratory disease, cancer, birth defects or other reproductive harm. If you are unfamiliar with the risks associated with the particular process and/or material being cut or the composition of the tool being used, review the material safety data sheet and/or consult your employer, the material manufacturer/supplier, governmental agencies such as OSHA and NIOSH and other sources on hazardous materials. California and some other authorities, for instance, have published lists of substances known to cause cancer, reproductive toxicity, or other harmful effects.

Control dust, mist and fumes at the source where possible. In this regard use good work practices and follow the recommendations of the manufacturers or suppliers, OSHA/NIOSH, and occupational and trade associations. Water should be used for dust suppression when wet cutting is feasible. When the hazards from inhalation of dust, mists and fumes cannot be eliminated, the operator and any bystanders should always wear a respirator approved by NIOSH/MSHA for the materials being used.

**CS4030 — STOW SAW**

Proposition 65 Warning ..... 2  
Silicosis/Respirator Warnings ..... 3  
Table of Contents ..... 4  
Parts Ordering Procedures ..... 5  
Explanation Of Code In Remarks Column ..... 6  
Suggested Spare Parts ..... 7  
Nameplate and Decals ..... 8-9  
Control Panel Decals ..... 10-11  
Electrical Controls Assy. .... 12-13  
Console Mounts Assy. .... 14-15  
Rear Console Access Panel Assy. .... 16-17  
Light Connector/Dash Access Assy. .... 18-19  
Belt and Engine Guards Assy. .... 20-21  
Depth Indicator/Stop Switch Assy. .... 22-23  
F-N-R Assy. .... 24-25  
Fuel Assy. .... 26-27  
Battery Assy. .... 28-29  
Handelbars Assy. .... 30-31  
Water System Assy. .... 32-33  
Engine Assy. .... 34-35  
Throttle Control Assy. .... 36-37  
Engine Mounts Assy. .... 38-39  
Lifting Bale & Air Cleaner Assy. .... 40-41  
Platform Guards/Rear Pointer Assy. .... 42-43  
Wheel Drive Assy. .... 44-45  
Front Axle Assy. .... 46-47  
Hydraulic System Assy. .... 48-49  
Hydraulic Hoses and Fittings Assy. .... 50-51  
Front Pointer Assy. .... 52-53  
Belt Drive Assy. .... 54-55  
Drive Pulley Assy. .... 56-57  
Blade Shaft Assy. .... 58-59  
16", 20", 26" Blade Guard Assy. .... 60-61  
30" Blade Guard Assy. .... 62-63  
  
Terms and Conditions of Sale ..... 65



Specifications are subject to change without notice.

# PARTS ORDERING PROCEDURES

## Ordering parts has never been easier! Choose from three easy options:

Effective:  
January 1<sup>st</sup>, 2006

www.stowmfq.com



### Order via Internet (Dealers Only):

Order parts on-line using **Multiquip's SmartEquip** website!

- View Parts Diagrams
- Order Parts
- Print Specification Information



If you have an **MQ Account**, to obtain a Username and Password, E-mail us at: **parts@multiquip.com**.

To obtain an **MQ Account**, contact your **District Sales Manager** for more information.

Goto [www.multiquip.com](http://www.multiquip.com) and click on **Order Parts** to log in and save!

Use the **internet** and qualify for a **5% Discount** on **Standard orders** for all orders which include complete part numbers.\*

Note: Discounts Are Subject To Change



### Order via Fax (Dealers Only):

All customers are welcome to order parts via Fax.

**Domestic (US) Customers dial:**  
1-800-6-PARTS-7 (800-672-7877)

**Fax** your order in and qualify for a **2% Discount** on **Standard orders** for all orders which include complete part numbers.\*

Note: Discounts Are Subject To Change



**Order via Phone:** Domestic (US) Dealers Call:  
1-800-427-1244

### Non-Dealer Customers:

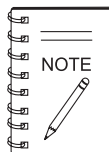
Contact your local **Multiquip Dealer** for parts or call **800-427-1244** for help in locating a dealer near you.



**International Customers** should contact their local **Multiquip Representatives** for Parts Ordering information.

## When ordering parts, please supply:

- |   |  |
|---|--|
| <input type="checkbox"/> Dealer Account Number                                | <input type="checkbox"/> Specify Preferred Method of Shipment:                         |
| <input type="checkbox"/> Dealer Name and Address                              | <input checked="" type="checkbox"/> UPS/Fed Ex <input checked="" type="checkbox"/> DHL |
| <input type="checkbox"/> Shipping Address (if different than billing address) | <input type="checkbox"/> Priority One <input checked="" type="checkbox"/> Truck        |
| <input type="checkbox"/> Return Fax Number                                    | <input type="checkbox"/> Ground  |
| <input type="checkbox"/> Applicable Model Number                              | <input type="checkbox"/> Next Day  |
| <input type="checkbox"/> Quantity, Part Number and Description of Each Part   | <input type="checkbox"/> Second/Third Day  |



All orders are treated as *Standard Orders* and will ship the same day if received prior to 3PM PST.

WE ACCEPT ALL MAJOR CREDIT CARDS!



**STOW**  
A DIVISION OF MULTIQUEIP, INC.

# EXPLANATION OF CODE IN REMARKS COLUMN

The following section explains the different symbols and remarks used in the Parts section of this manual. Use the help numbers found on the back page of the manual if there are any questions.

The contents and part numbers listed in the parts section are subject to change **without notice**. Multiquip does not guarantee the availability of the parts listed.

Sample Parts List:

NO.	PART NO.	PART NAME	QTY.	REMARKS
1	12345	BOLT .....	1	INCLUDES ITEMS W/*
2*		WASHER, 1/4 IN. ....		NOT SOLD SEPARATELY
2*	12347	WASHER, 3/8 IN. ...	1	MQ-45T ONLY
3	12348	HOSE .....	A/R	MAKE LOCALLY
4	12349	BEARING .....	1	S/N 2345B AND ABOVE

## NO. Column

**Unique Symbols** - All items with same unique symbol (\*, #, +, %, or >) in the number column belong to the same assembly or kit, which is indicated by a note in the "Remarks" column.

**Duplicate Item Numbers** - Duplicate numbers indicate multiple part numbers are in effect for the same general item, such as different size saw blade guards in use or a part that has been updated on newer versions of the same machine.



When ordering a part that has more than one item number listed, check the remarks column for help in determining the proper part to order.

## PART NO. Column

**Numbers Used** - Part numbers can be indicated by a number, a blank entry, or TBD.

TBD (To Be Determined) is generally used to show a part that has not been assigned a formal part number at time of publication.

A blank entry generally indicates that the item is not sold separately or is not sold by Multiquip. Other entries will be clarified in the "Remarks" Column.

## QTY. Column

**Numbers Used** - Item quantity can be indicated by a number, a blank entry, or A/R.

A/R (As Required) is generally used for hoses or other parts that are sold in bulk and cut to length.

A blank entry generally indicates that the item is not sold separately. Other entries will be clarified in the "Remarks" Column.

## REMARKS Column

Some of the most common notes found in the "Remarks" Column are listed below. Other additional notes needed to describe the item can also be shown.

**Assembly/Kit** - All items on the parts list with the same unique symbol will be included when this item is purchased.

Indicated by:

"INCLUDES ITEMS W/(unique symbol)"

**Serial Number Break** - Used to list an effective serial number range where a particular part is used.

Indicated by:

"S/N XXXXX AND BELOW"

"S/N XXXX AND ABOVE"

"S/N XXXX TO S/N XXXX"

**Specific Model Number Use** - Indicates that the part is used only with the specific model number or model number variant listed. It can also be used to show a part is NOT used on a specific model or model number variant.

Indicated by:

"XXXXX ONLY"

"NOT USED ON XXXX"

**"Make/Obtain Locally"** - Indicates that the part can be purchased at any hardware shop or made out of available items. Examples include battery cables, shims, and certain washers and nuts.

**"Not Sold Separately"** - Indicates that an item cannot be purchased as a separate item and is either part of an assembly/kit that can be purchased, or is not available for sale through Multiquip.

# SUGGESTED SPARE PARTS

## CS4030 STOW SAW

### 1 TO 3 UNITS WITH DEUTZ TURBO DIESEL ENGINE

Qty.	P/N	Description
1	37094	SWITCH, TOGGLE F-N-R
1	37198	SWITCH, EMERGENCY STOP
1	406021	INDICATOR, ENGINE
1	37243	SWITCH, ROLLER ARM
1	37203	SWITCH, ROLLER PLUNGER
2	406000	SWITCH, ROCKER
2	37131	FRONT WHEEL
2	37095	REAR WHEEL
1	29509	CAP, FUEL TANK
2	560017	GRIPS, HANDLEBAR
1	H9406	BULB, GE H9406
1	15503	KNOB, COMFORT
1	37527	SPRING, EXTENSION DEPTH INDICATOR
1	37128	BALL VALVE, FUEL
1	37311	BALL VALVE, WATER SYSTEM
2	570005	CLAMP, MUFFLER
2	37048	SPRING, WHEEL DRIVE
1	37162	SPRING, HYDRAULIC SYSTEM
2	15538	CLAMP, WORM HOSE
1	574003	ROPE, POINTER
1	37212	THROTTLE ASSEMBLY

### ENGINE PARTS FOR DEUTZ TURBO DIESEL ENGINE

2	1174416	OIL FILTER, DEUTZ
2	1174696	FUEL FILTER, DEUTZ
2	P772579	PRIMARY AIR FILTER ELEMENT
2	P775300	SAFETY AIR FILTER, DEUTZ
2	21004-003	FAN BELT, AX-35
2	37577	DRIVE BELT, 6G 3VX-500 OPTIBELT
1	406017	IGNITION SWITCH, W/KEY
2	406017-1	KEY, IGNITION



Part numbers on this Suggested Spare Parts List may supercede/replace the P/N's shown in the test pages of this manual.



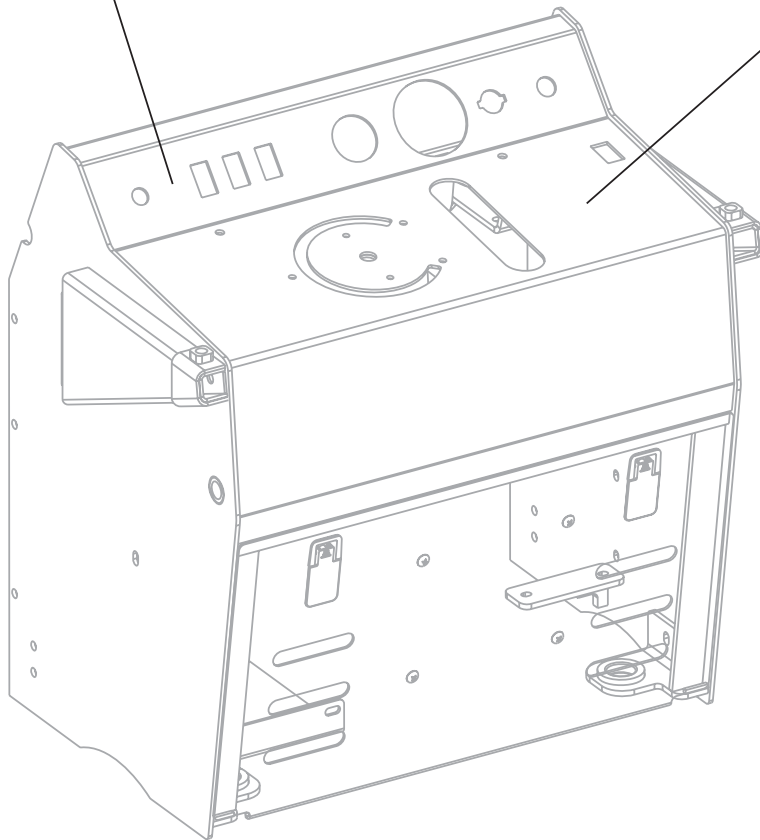
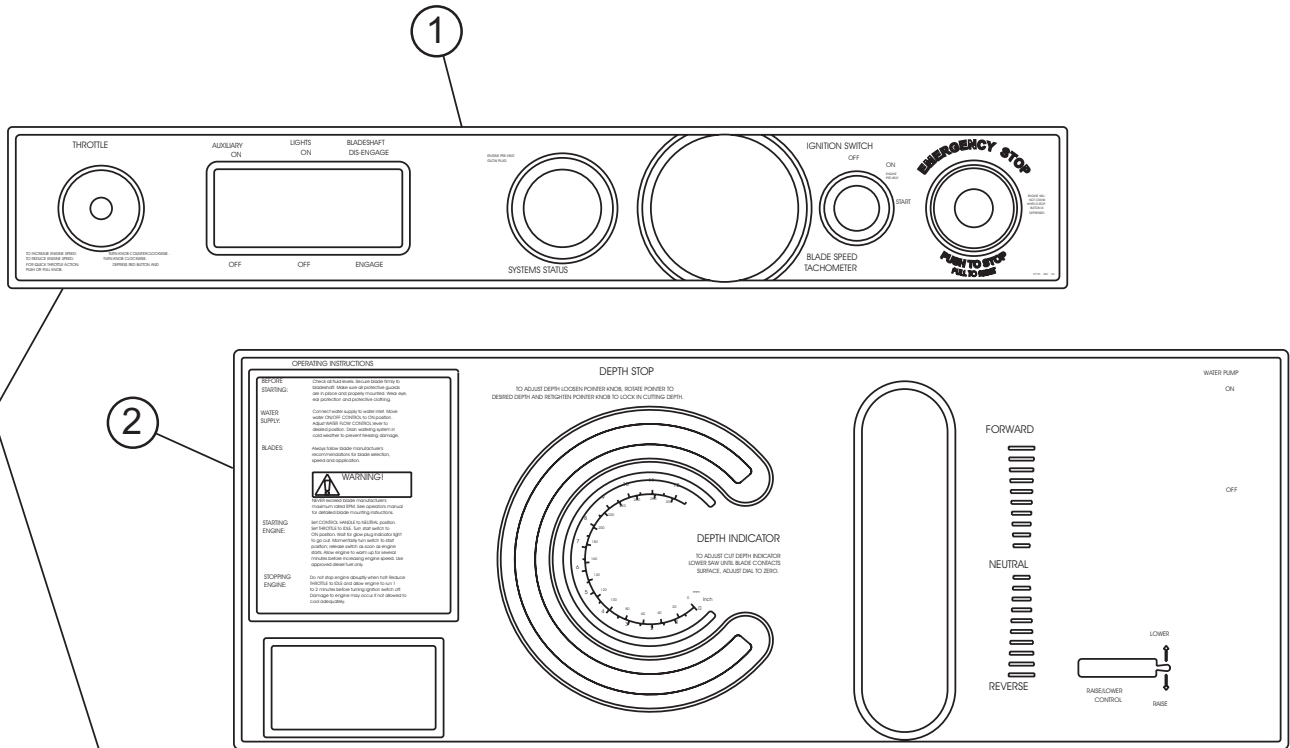


# NAMEPLATES AND DECALS

## NAMEPLATES AND DECALS

<u>NO.</u>	<u>PART NO.</u>	<u>PART NAME</u>	<u>QTY.</u>	<u>REMARKS</u>
1	25491	DECAL, BLADE ROTATION CW .....	1 .....	SAFETY ITEM
2	37744	DECAL, STOW CS4030	3	
3	37516	DECAL, REFLECTIVE TAPE 1" YELLOW .....	4.375 .....	SAFETY ITEM
4		SERIAL TAG .....	1 .....	CONTACT PARTS DEPT.
5	M600002	DECAL, DIESEL FUEL ONLY	1	
6	606004	DECAL, GUARD REMOVAL .....	2 .....	SAFETY ITEM
7	37161	DECAL, HOT ISO HI-TEMPERATURE .....	2 .....	SAFETY ITEM
8	13118	DECAL, POWDER COATED	1	
9	20525	DECAL, WARNING "PROP 65" 3.25 X 4.25 .....	1 .....	SAFETY ITEM
10	36092	DECAL, WARNING DIESEL FUEL 3.5 X 1.75 .....	1 .....	SAFETY ITEM
11	36090	DECAL, WARNING VENTILATION 2 X 4 .....	1 .....	SAFETY ITEM
12	11912	DECAL, PATENT PENDING	1	
13	23330-001	DECAL, CAUTION BELT DRIVE .....	2 .....	SAFETY ITEM
14	35137	DECAL, WARNING READ MANUAL .....	1 .....	SAFETY ITEM
15	36099	DECAL, PROTECTIVE CLOTHING ISO BLUE .....	1 .....	SAFETY ITEM
16	37540	DECAL, HYDRAULIC RESERVOIR	1	
17	21302	DECAL, WARNING KEEP GUARDS IN PLACE .....	2 .....	SAFETY ITEM
18	22122-001	DECAL, WARNING RX-W .....	3 .....	SAFETY ITEM
19	25249-001	DECAL, WARNING KEEP HANDS CLEAR .....	2 .....	SAFETY ITEM
20	25250-001	DECAL, WARNING KEEP FEET CLEAR .....	2 .....	SAFETY ITEM
21	25678	DECAL, BLADE ROTATION CCW .....	1 .....	SAFETY ITEM

## CONTROL PANEL DECALS



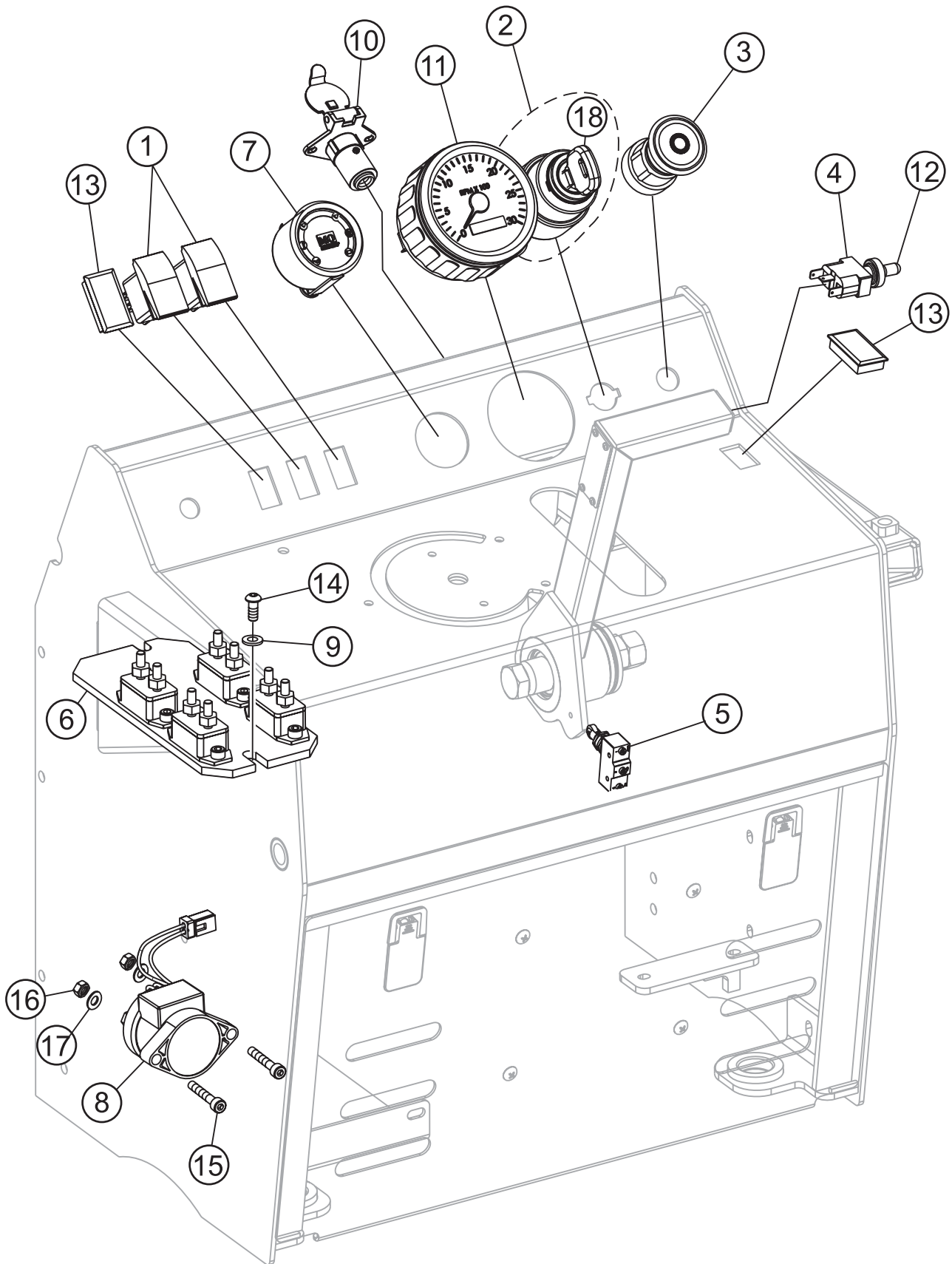
# CONTROL PANEL DECALS

## CONTROL PANEL DECALS

<u>NO.</u>	<u>PART NO.</u>	<u>PART NAME</u>	<u>QTY.</u>	<u>REMARKS</u>
1	37731	DECAL, 4030 INSTRUMENT PANEL	1	
2	37730	DECAL, 4030 CONSOLE OPERATION	1	

# ELECTRICAL CONTROL ASSY.

ELECTRICAL CONTROL ASSY.



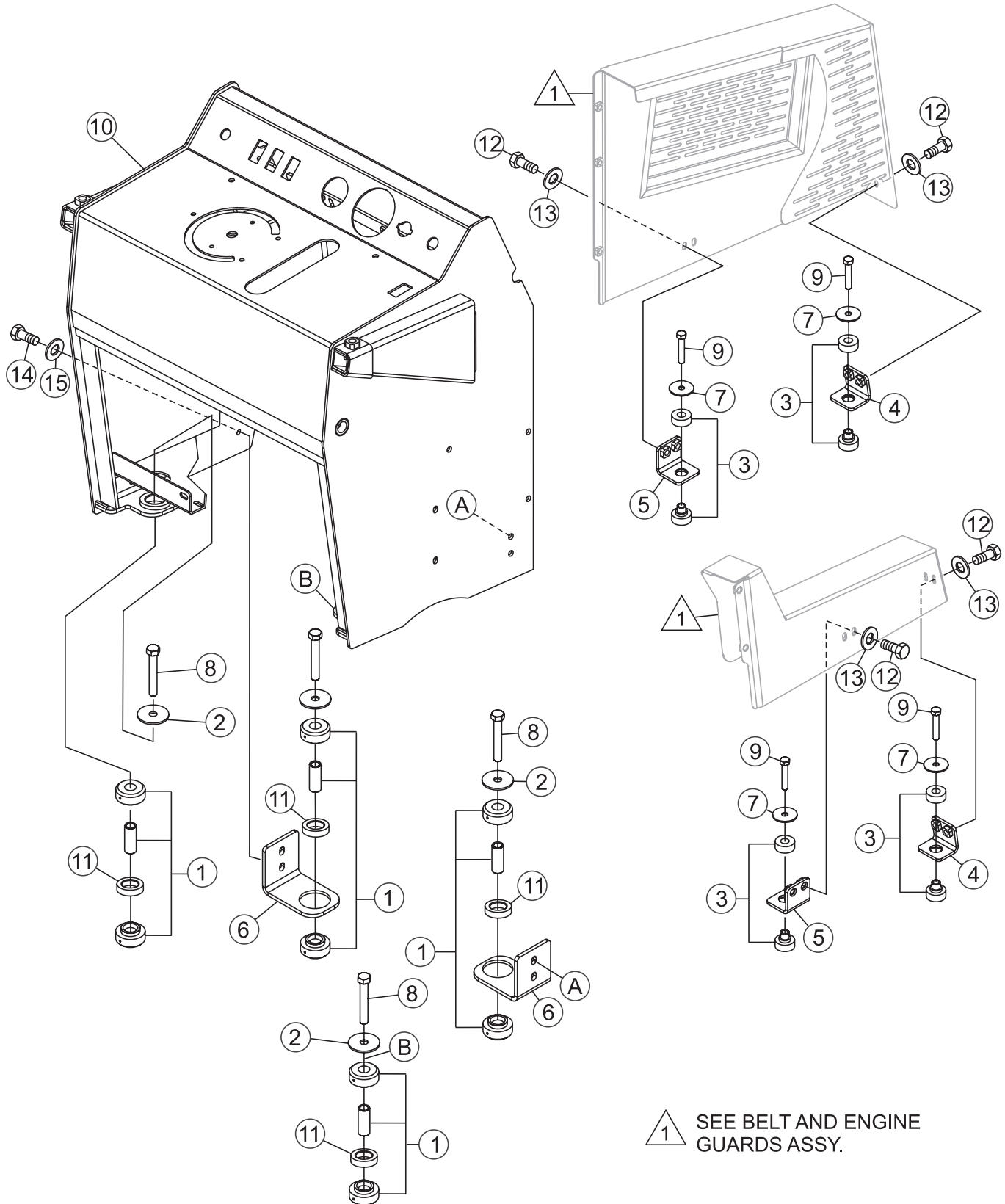
# ELECTRICAL CONTROL ASSY.

## ELECTRICAL CONTROL ASSY.

<u>NO.</u>	<u>PART NO.</u>	<u>PART NAME</u>	<u>QTY.</u>	<u>REMARKS</u>
1	406000	SWITCH, ROCKER CH# M-58031-01	2	
2	406017	IGNITION SWITCH, WITH KEYS .....	1 .....	INCLUDES ITEMS W/*
3	37198	EMERGENCY STOP SWITCH .....	1 .....	SAFETY ITEM
4	37094	SWITCH, TOGGLE SPDT MOMENTARY ON-ON	1	
5	37203	SWITCH, SNAP ACTION ROLLER PLUNGER	1	
6	37620	HARNESS, RELAYS AND CIRCUIT BREAKERS	1	
7	406021	INDICATOR, ENGINE	1	
8	37378	SOLENOID, LIFT PUMP	1	
9	933240	WASHER, FLAT SAE 1/4 GRD 9 YZ	2	
10	405000	CONNECTOR, 4-WAY SOCKET	1	
11	37368	TACHOMETER, ELECTRIC 0-3000 RPM	1	
12	8381	BOOT, TOGGLE SWITCH	1	
13	406020	BLANK, ROCKER SWITCH	2	
14	973752	SCREW, BHHC 1/4 - 20 X 5/8 SS	2	
15	37325	SCREW, SHC M5 - 0.8 X 30MM	2	
16	37324	NUT, NYLOC M5 - 0.8	2	
17	28922-058	WASHER, M5	2	
18*	406017-1	KEY, IGNITION	1	

# CONSOLE MOUNTS ASSY.

CONSOLE MOUNTS ASSY.



1 SEE BELT AND ENGINE GUARDS ASSY.

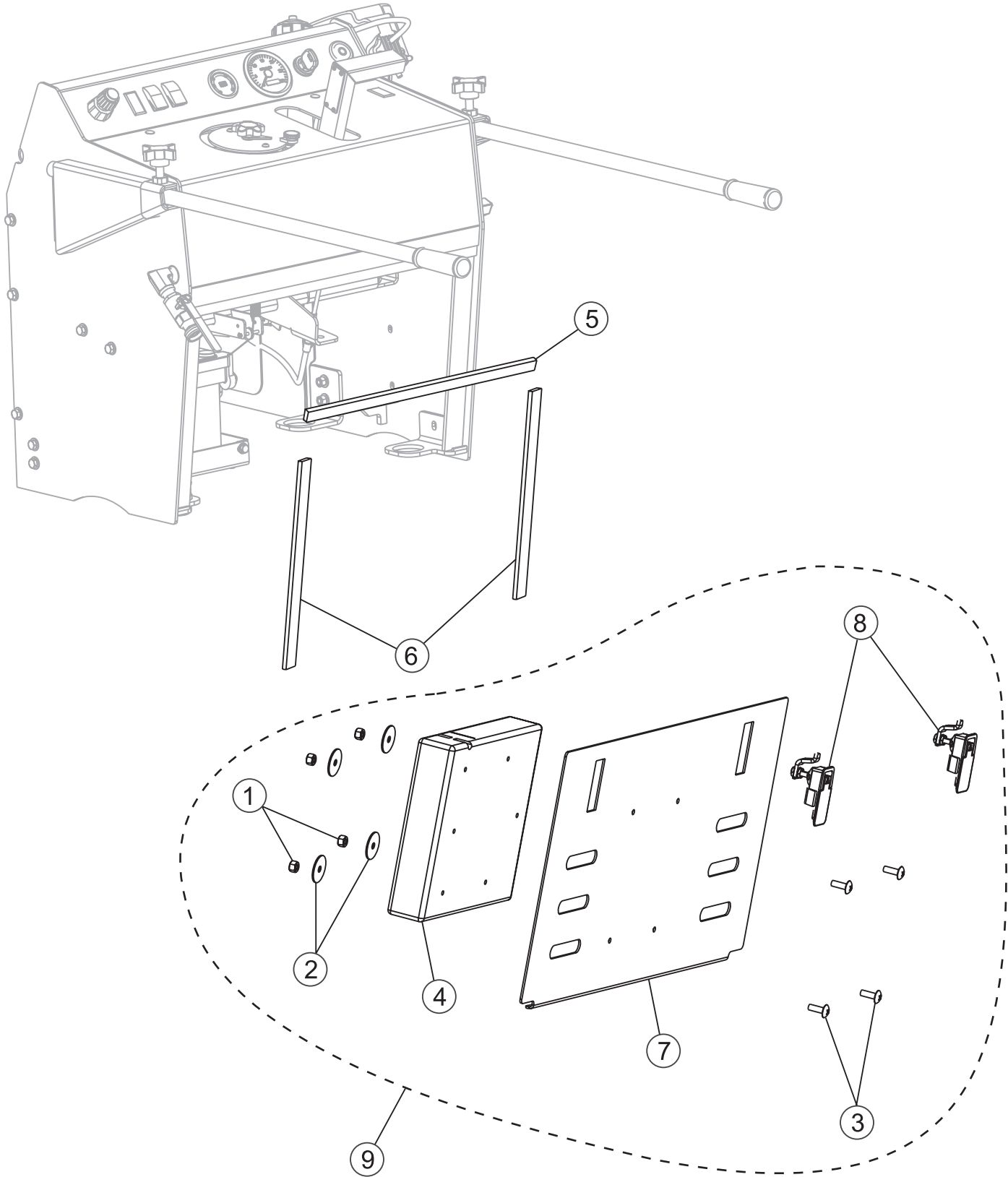
# CONSOLE MOUNTS ASSY.

## CONSOLE MOUNTS ASSY.

<u>NO.</u>	<u>PART NO.</u>	<u>PART NAME</u>	<u>QTY.</u>	<u>REMARKS</u>
1	20742	ISOLATOR, RB2 RING/BUSHING	4	
2	20743	WASHER, ISO SNUB KROFUND DYN 148099-18	4	
3	575001	RUBBER ISOLATOR, TPC# 60166-1	4	
4	37230	MOUNT, ISOLATOR FRONT	2	
5	37232	MOUNT, ISOLATOR SIDE	2	
6	37608-353	MOUNT, CONSOLE ISOLATOR REAR	2	
7	12832	WASHER, SNUBBING	4	
8	06503-026	SCREW, HHC 1/2 - 13 X 3-1/4	4	
9	0300 A	SCREW, HHC 5/16 - 18 X 2	4	
10	37579-353	CONSOLE W/A	1	
11	37193	INSERT, ISOLATOR MOUNT	4	
12	0205	SCREW, HHC 3/8 - 16 X 1	8	
13	933242	WASHER, FLAT SAE 3/8 GRD 9 YZ	8	
14	TBD	SCREW	4	
15	TBD	WASHER	4	

# REAR CONSOLE ACCESS PANEL ASSY.

REAR CONSOLE ACCESS PANEL ASSY.





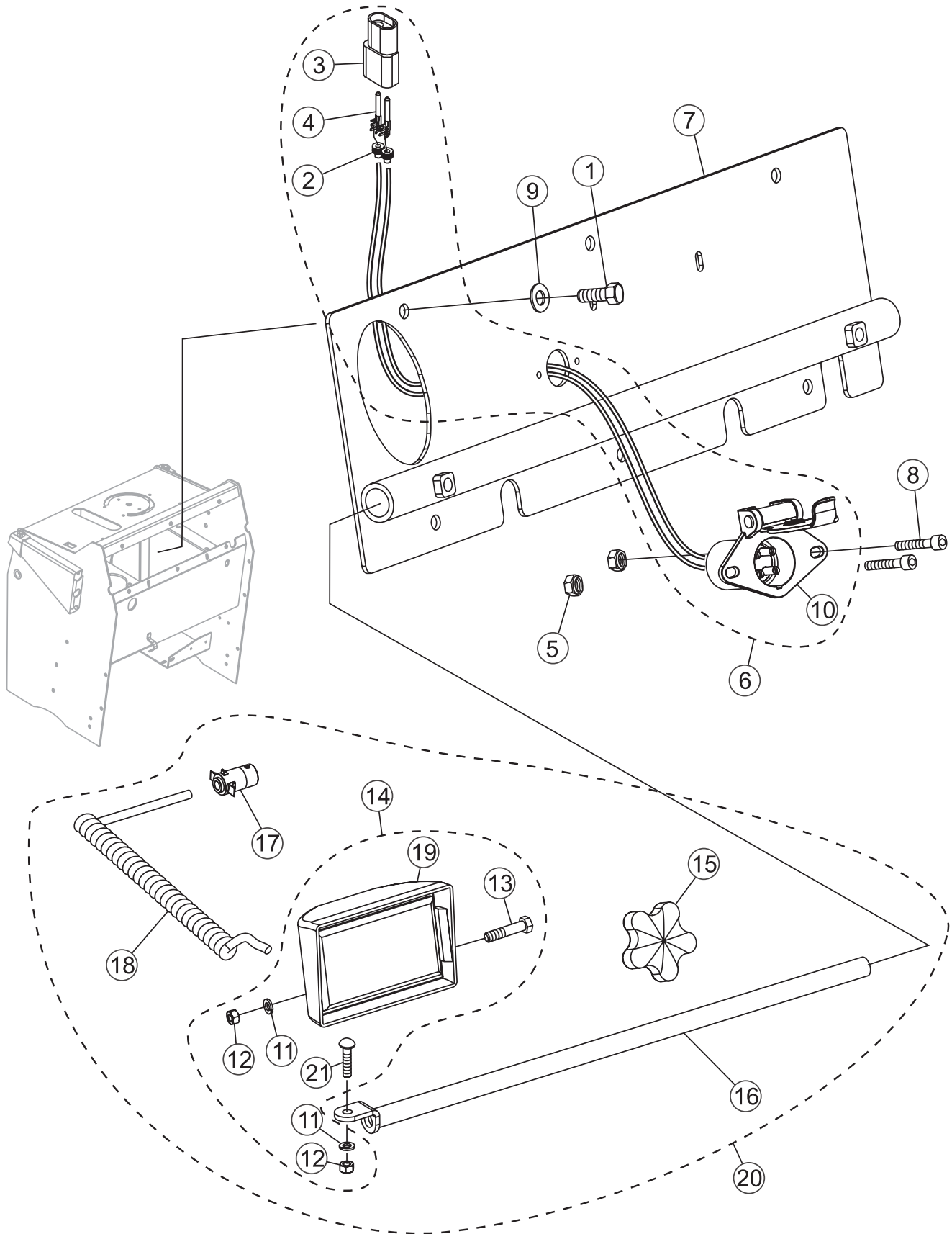
## REAR CONSOLE ACCESS PANEL ASSY.

### REAR CONSOLE ACCESS PANEL ASSY.

<u>NO.</u>	<u>PART NO.</u>	<u>PART NAME</u>	<u>QTY.</u>	<u>REMARKS</u>
1*	10024	NUT, NYLOC 1/4 X 20	4	
2*	10930	WASHER, FENDER 1/4 X 1-1/4	4	
3*	12287	SCREW, THP 1/4 - 20 X 3/4 SS	4	
4*	29057	DOCUMENT BOX	1	
5	37584	STRIP, BACKING PLATE SAW CONSOLE	1	
6	37220	STRIP, VERTICAL SAW CONSOLE	2	
7*	37617-353	PANEL, REAR SAW ACCESS	1	
8*	560020	LATCH, REAR SAW ACCESS PANEL	2	
9	37616	PANEL ASSEMBLY, REAR SAW ACCESS .....	1 .....	INCLUDES ITEMS W/*

# LIGHT CONNECTOR/DASH ACCESS ASSY.

LIGHT CONNECTOR/DASH ACCESS ASSY.



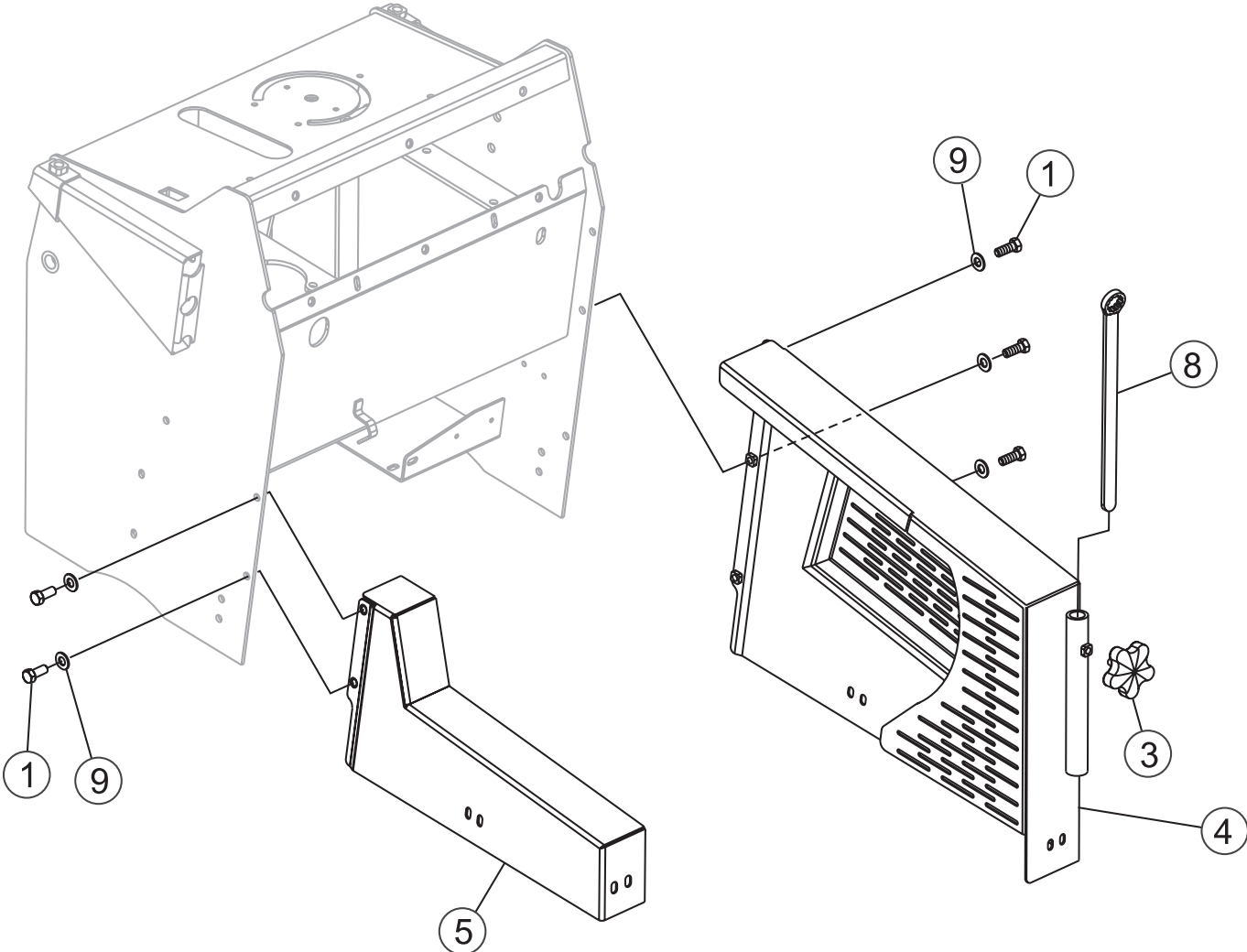
# LIGHT CONNECTOR/DASH ACCESS ASSY.

## LIGHT CONNECTOR/DASH ACCESS ASSY.

<u>NO.</u>	<u>PART NO.</u>	<u>PART NAME</u>	<u>QTY.</u>	<u>REMARKS</u>
1	0655	SCREW, HHC 5/16 - 18 X 3/4	6	
2*	12171	SEAL, WEATHERPACK 16-18 GA, GREEN	2	
3*	12176	CONNECTOR, WEATHERPACK 2 PIN MALE	1	
4*	12179	TERMINAL, WEATHERPACK MALE 14-16 GA	2	
5	13287	NUT, NYLOC 8-32	2	
6	37333	HARNESS, LIGHT KIT .....	1	INCLUDES ITEMS W/*
7	37614-353	COVER W/A, CONSOLE DASH ACCESS	1	
8	923114	SCREW, SHC 8-32 X 1/2	2	
9	933241	WASHER, FLAT SAE 5/16 GRD 9YZ	6	
10*	405000	CONNECTOR, 4-WAY SOCKET CHROME	1	
11+#	0161 C	WASHER, LOCK 5/16 MED	2	
12+#	0161 D	NUT, HEX 5/16 - 18	2	
13+#	0300 A	SCREW, HHC 5/16 - 18 X 2	1	
14+	2532	LIGHT ASSEMBLY .....	1	INCLUDES ITEMS W/#
15+	15503	KNOB, COMFORT GRIP STAR	1	
16+	120206	LIGHT BAR	1	
17+	405001	CONNECTOR PLUG, 4-PIN FEMALE	1	
18+	405002	CORD, LIGHT EXTENDABLE	1	
19+	H9406	BULB, GE H9406	1	
20	M18004	LIGHT KIT, SAW .....	1	INCLUDES ITEMS W/+
21+#	11963	BOLT, CARRIAGE 5/16 - 18 X 1	1	

# BELT AND ENGINE GUARDS ASSY.

BELT AND ENGINE GUARDS ASSY.



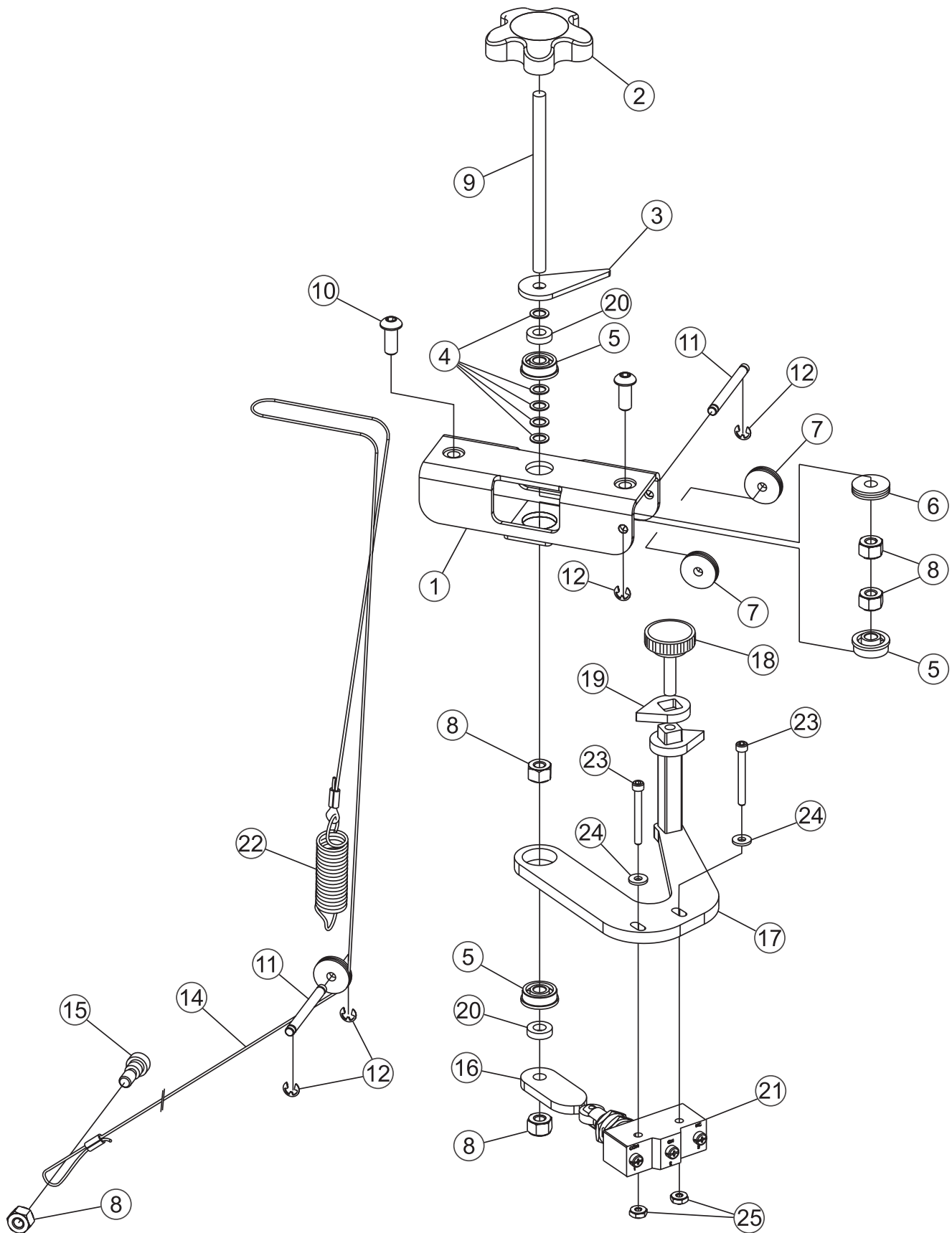
## BELT AND ENGINE GUARDS ASSY.

### BELT AND ENGINE GUARDS ASSY.

<u>NO.</u>	<u>PART NO.</u>	<u>PART NAME</u>	<u>QTY.</u>	<u>REMARKS</u>
1	0166	SCREW, HHC 3/8 - 16 X 7/8	5	
3	15503	KNOB, COMFORT	1	
4	37606-353	GUARD, BELT DRIVE .....	1 .....	SAFETY ITEM
5	37610-353	GUARD, ENGINE .....	1 .....	SAFETY ITEM
8	584011	WRENCH, 15/16 BLADE CLOSED END	1	
9	933242	WASHER, FLAT SAE 3/8 GRD 9 YZ	5	

# DEPTH INDICATOR/STOP SWITCH ASSY.

DEPTH INDICATOR/STOP SWITCH ASSY.

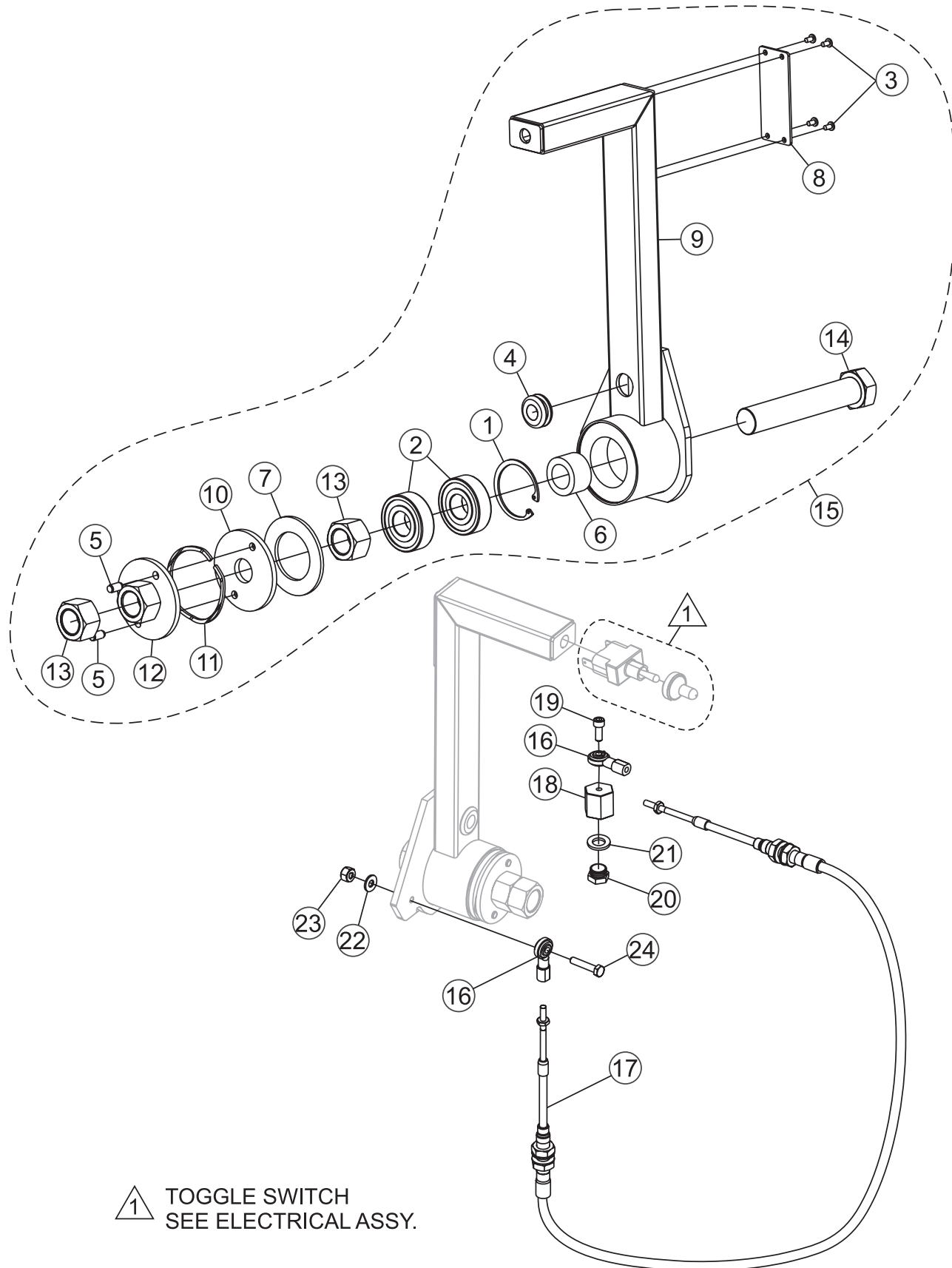


## DEPTH INDICATOR/STOP SWITCH ASSY.

### DEPTH INDICATOR/STOP SWITCH ASSY.

<u>NO.</u>	<u>PART NO.</u>	<u>PART NAME</u>	<u>QTY.</u>	<u>REMARKS</u>
1	37598	BASE, 4030 SAW DEPTH INDICATOR	1	
2	560025	KNOB, SAW DEPTH INDICATOR	1	
3	110031	POINTER, CONCRETE SAW DEPTH	1	
4	583059	SHIM, 0.375 OD X 0.25 ID X .020 THK	5	
5	460019	FLANGE, BEARING 0.25 ID X 0.75 OD	3	
6	37155	PULLEY, CABLE .75 OD	1	
7	37240	PULLEY, CABLE .75 OD	2	
8	10024	NUT, NYLOC 1/4 - 20	5	
9	37622	STUD, 1/4 - 20 X 4" BLACK OXIDE	1	
10	973752	SCREW, BHSC 1/4 - 20 X 5/8 SS	2	
11	37241	SHAFT, DEPTH INDICATOR	2	
12	37332	RING, 3/16 E-STYLE EXTERNAL	4	
13	37404	SLEEVE, 3/64 ROPE DIA.COMPRESSION	2	
14	37922	CABLE ASSY, DEPTH STOP	1	
15	37401	SCREW, SH SHLDR 1/2-20, 5/16 OD X 1/4 L	1	
16	37736	CAM, DEPTH STOP POINTER	1	
17	37600	ARM, W/A, 4030 DEPTH STOP POINTER	1	
18	21468	KNOB, PLASTIC 1/4 - 20 X 1 STUD	1	
19	37603	POINTER, DEPTH STOP	1	
20	37605	SPACER, DEPTH INDICATOR POINTER	2	
21	37203	SWITCH, SNAP ACTION ROLLER PLUNGER	1	
22	37527	SPRING, EXT. .625 OD X 2.5L X .053 M WIRE	1	
23	37766	SCREW, SHC 6-32 X 1.25	2	
24	1450	WASHER, FLATSAE #6	2	
25	11152	NUT, NYLOC 6-32	2	

F-N-R ASSY.



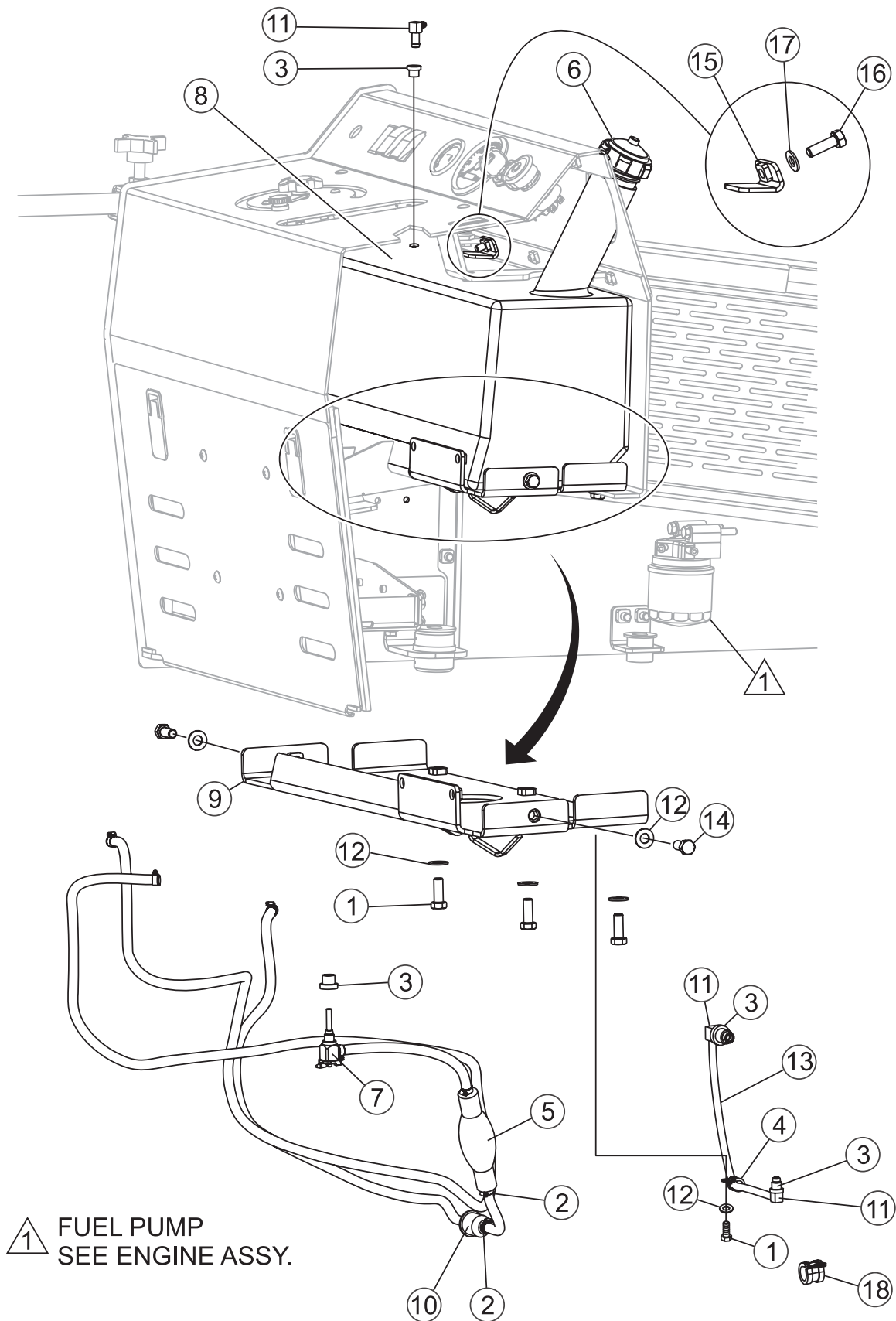
1 TOGGLE SWITCH  
SEE ELECTRICAL ASSY.



F-N-R ASSY.

<u>NO.</u>	<u>PART NO.</u>	<u>PART NAME</u>	<u>QTY.</u>	<u>REMARKS</u>
1*	576003	SNAP RING - HO-185	1	
2*	460021	BEARING, ROLLER # 6204 2RS	2	
3*	20842	SCREW, PAN HD 6-32 X 1/4	4	
4*	579072	GROMMET, 1/2" ID	1	
5*	926917	PIN, DOWEL 1/4 X 1/2	2	
6*	37015	SPACER, FNR PIVOT	1	
7*	37014	DISC, FNR FRICTION BRAKE	1	
8*	37013	PLATE, FNR ACCESS COVER	1	
9*	37022	WELDMENT, FNR HANDLE	1	
10*	37016	PLATE, FNR BRAKE	1	
11*	37091	SPRING, SMALLEY WAVO RW-0250	1	
12*	37024	WELDMENT, FNR SPRING PLATE	1	
13*	37025	NUT, HEX FINISH M20-2.5	2	
14*	37026	SCREW, HHC M20 X 2.5 X 120	1	
15	37021	FNR ASSEMBLY .....	1	INCLUDES ITEMS W/*
16	2153	ROD END	2	
17	37136	CABLE, PUSH PULL 56"	1	
18	37299	STANDOFF, PUMP CONTROL	1	
19	07469-004	SCREW, SHC 10-32 X 1/2	1	
20	4683	SCREW, HHC 5/16 - 18 X 5/8	1	
21	933241	WASHER, FLAT SAE 5/16 GRD 9 YZ	1	
22	2203	WASHER, FLAT #10	1	
23	10019	NUT, NYLOC 10-32	1	
24	3513	SCREW, HHC 10 - 32 X 1	1	

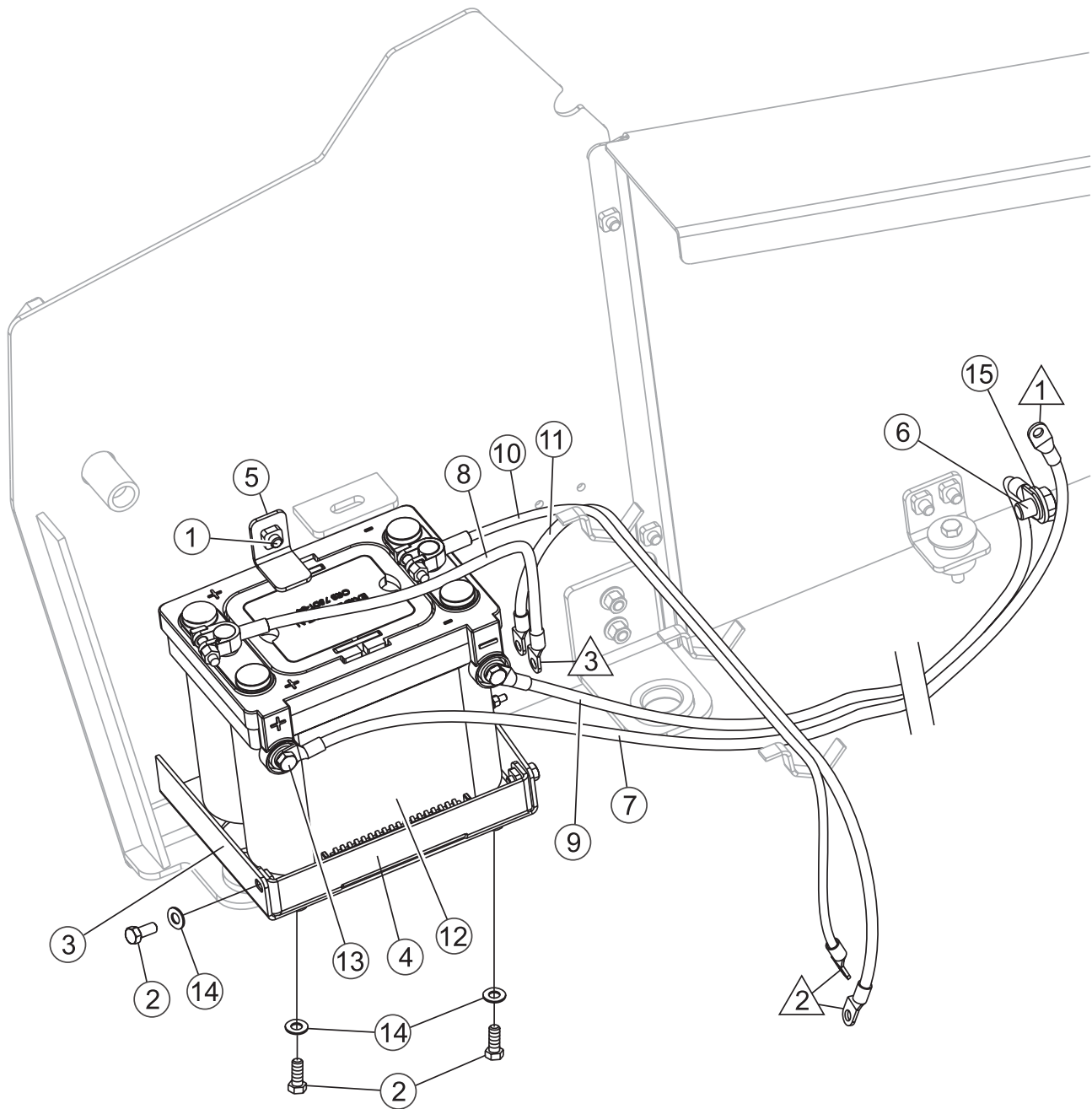
## FUEL ASSY.



## FUEL ASSY.

<u>NO.</u>	<u>PART NO.</u>	<u>PART NAME</u>	<u>QTY.</u>	<u>REMARKS</u>
1	0205	SCREW, HHC 3/8 - 16 X 1.0	4	
2	19473	CLAMP, WORM HOSE 2"	8	
3	19633	BUSHING, RUBBER FUEL DAPCO	4	
4	35022	CLAMP, LOOP CUSHIONED #8	1	
5	29338	PRIMER BULB 5/16 HOSE BARB	1	
6	29509	CAP, FUEL TANK	1	
7	37128	BALL VALVE, 90 W/SCREEN #5	1	
8	37621	FUEL TANK	1	
9	37594-353	MOUNT, FUEL TANK 4030	1	
10	304010	FILTER, FUEL PRIMARY	1	
11	368006	FITTING, FUEL 90 DEG	3	
12	933242	WASHER, FLAT SAE 3/8 GRD 9 YZ	6	
13	60058	HOSE, 1/4 X 3/8 PVC YELLOW .....	1.2	..... SOLD BY FOOT
14	0166	SCREW, HHC 3/8 - 16 X 7/8	2	
15	37224	CLIP, FUEL TANK RETAINER	2	
16	0202	SCREW, HHC 5/16 - 18 X 1.0 ZINC	2	
17	933241	WASHER, FLAT SAE 5/16 GRD 9 YZ	2	
18	35022	CLAMP, LOOM	1	

## BATTERY ASSY.



△ 1 TO ENGINE STARTER MOTOR

△ 2 TO LIFT PUMP.  
SEE HYDRAULIC SYSTEM ASSY.

△ 3 TO LIFT PUMP SOLENOID (RELAY).  
SEE ELECTRICAL CONTROL ASSY.

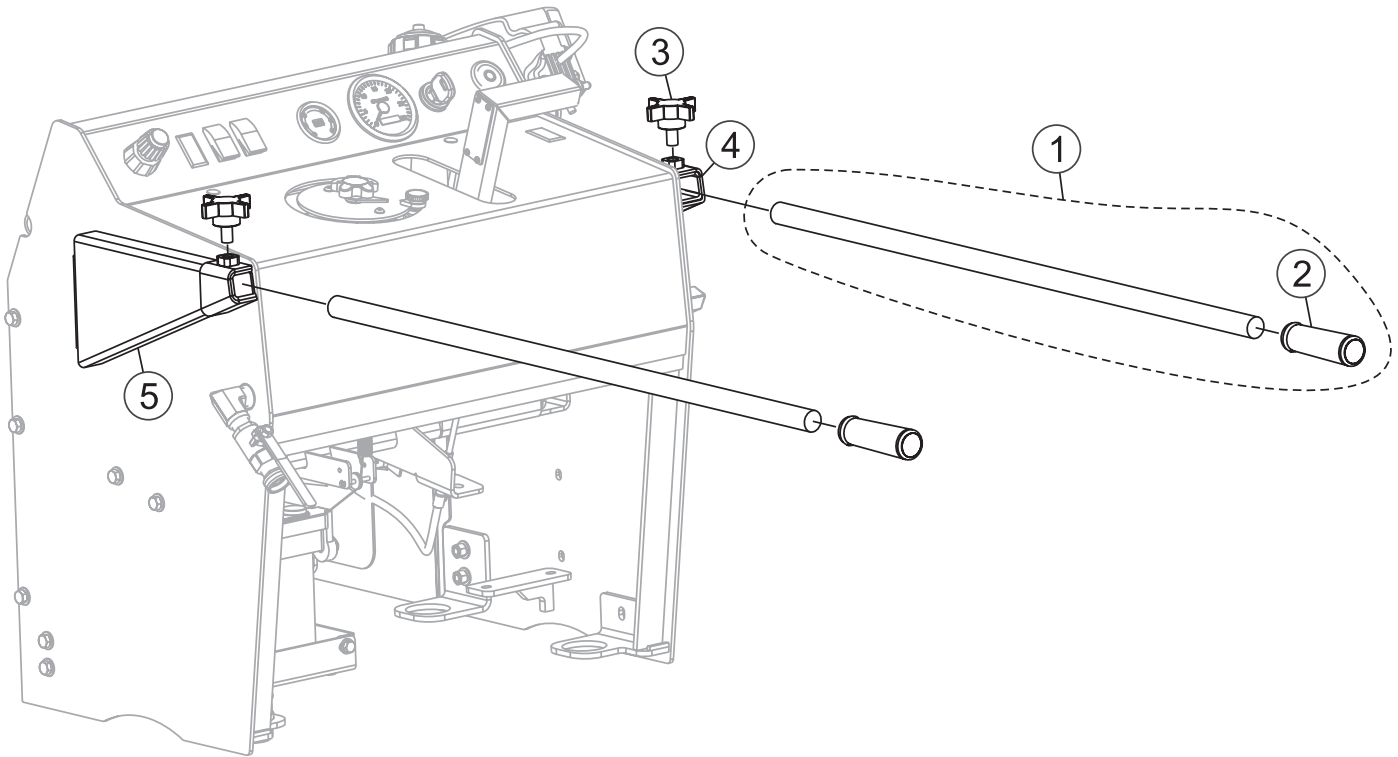
# BATTERY ASSY.

## BATTERY ASSY.

<u>NO.</u>	<u>PART NO.</u>	<u>PART NAME</u>	<u>QTY.</u>	<u>REMARKS</u>
1	0166	SCREW, HHC 3/8 - 16 X 7/8	1	
2	0655	SCREW, HHC 5/16 - 18 X 3/4	4	
3	37585	BOX, BATTERY	1	
4	37098	RETAINER, BATTERY HOLD-DOWN	1	
5	37258	CLIP, BATTERY RETAINER	1	
6	37284	SCREW, HHC M14 - 2.0 X 20MM GRD 8.8 PLTD	1	
7	37690	CABLE, POSITIVE BATTERY STARTER	1	
8	37692	CABLE, POSITIVE BATT. SOLENOID LIFT PUMP	1	
9	37699	CABLE, NEGATIVE BATTERY ENGINE	1	
10	37691	CABLE, NEGATIVE BATTERY LIFT PUMP	1	
11	37688	CABLE, POSITIVE BATT. SOLENOID LIFT PUMP	1	
12	404006	BATTERY, EXIDE ORB75DT-84	1	
13	915101	SCREW, HHC 3/8 - 16 X 1/2 GRD 8	2	
14	933241	WASHER, FLAT SAE 5/16 GRD 9 YZ	4	
15	933245	WASHER, FLAT SAE 9/16 GRD 9 YZ	1	

# HANDLEBARS ASSY.

HANDLEBARS ASSY.



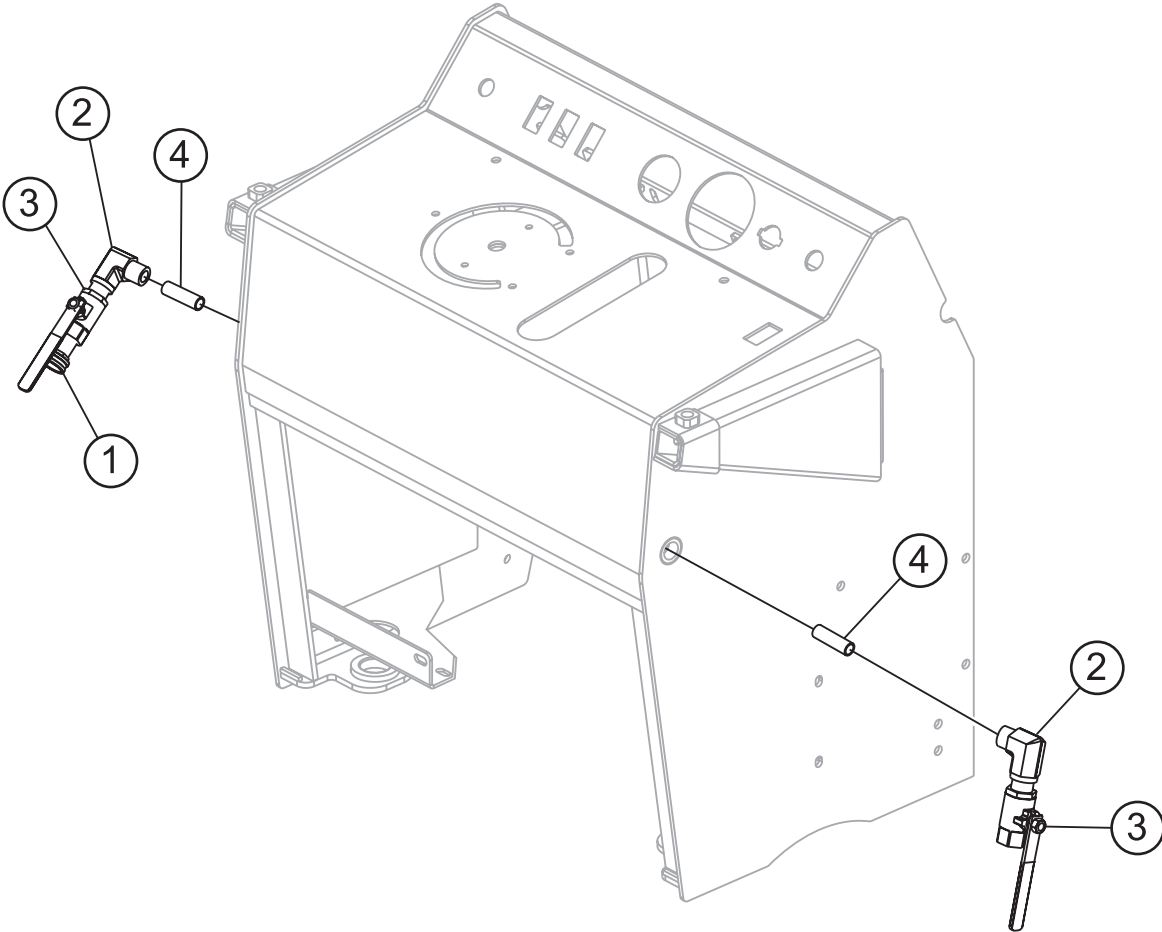
# HANDLEBARS ASSY.

## HANDLEBARS ASSY.

<u>NO.</u>	<u>PART NO.</u>	<u>PART NAME</u>	<u>QTY.</u>	<u>REMARKS</u>
1	560023	HANDLEBAR ASSY., CONCRETE SAW	2	
2	560017	GRIP, HANDLEBAR	2	
3	19977	KNOB, CLAMP 1/2 - 13 THREAD	2	
4	37589	SUPPORT, RH SAW HANDLEBAR GUIDE	1	
5	37590	SUPPORT, LH SAW HANDLEBAR GUIDE	1	

# WATER SYSTEM ASSY.

WATER SYSTEM ASSY.





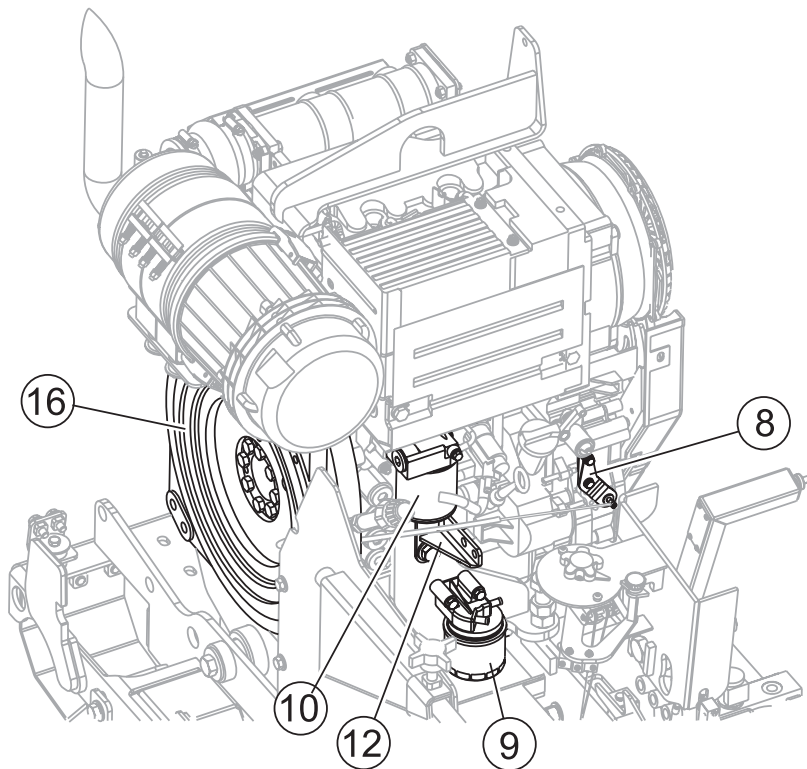
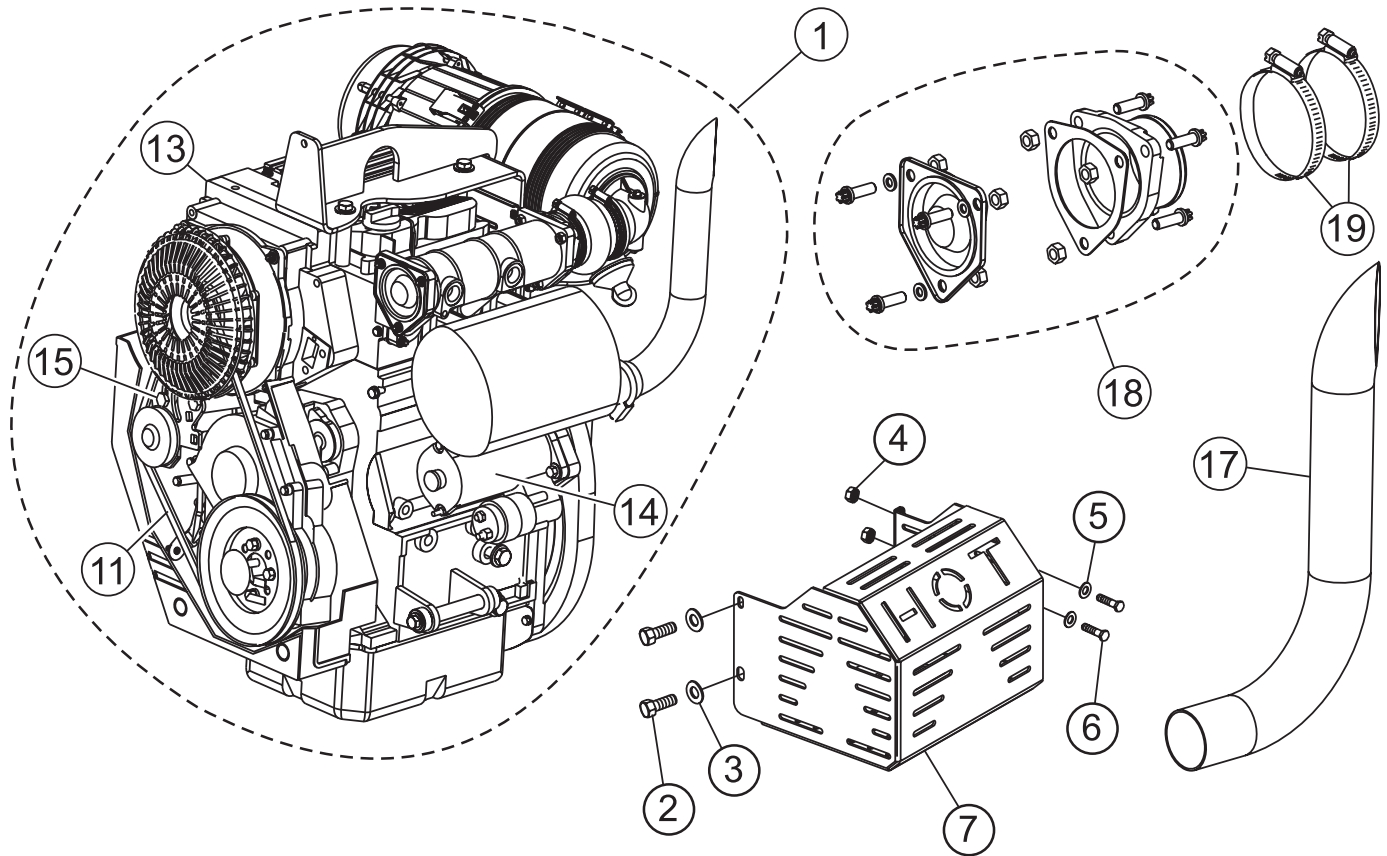
# WATER SYSTEM ASSY.

WATER SYSTEM ASSY.

<u>NO.</u>	<u>PART NO.</u>	<u>PART NAME</u>	<u>QTY.</u>	<u>REMARKS</u>
1	25827	FITTING, BRASS (F) 3/4 GHT SWIVEL 1/2 MNPT	1	
2	26496	FITTING, 90 1/2MP - 1/2FP	2	
3	37311	BALL VALVE, BRASS 1/2 MNPT X FNPT	2	
4	25607	FITTING, COUPLING 1/2" NPT	2	

# ENGINE ASSY.

ENGINE ASSY.



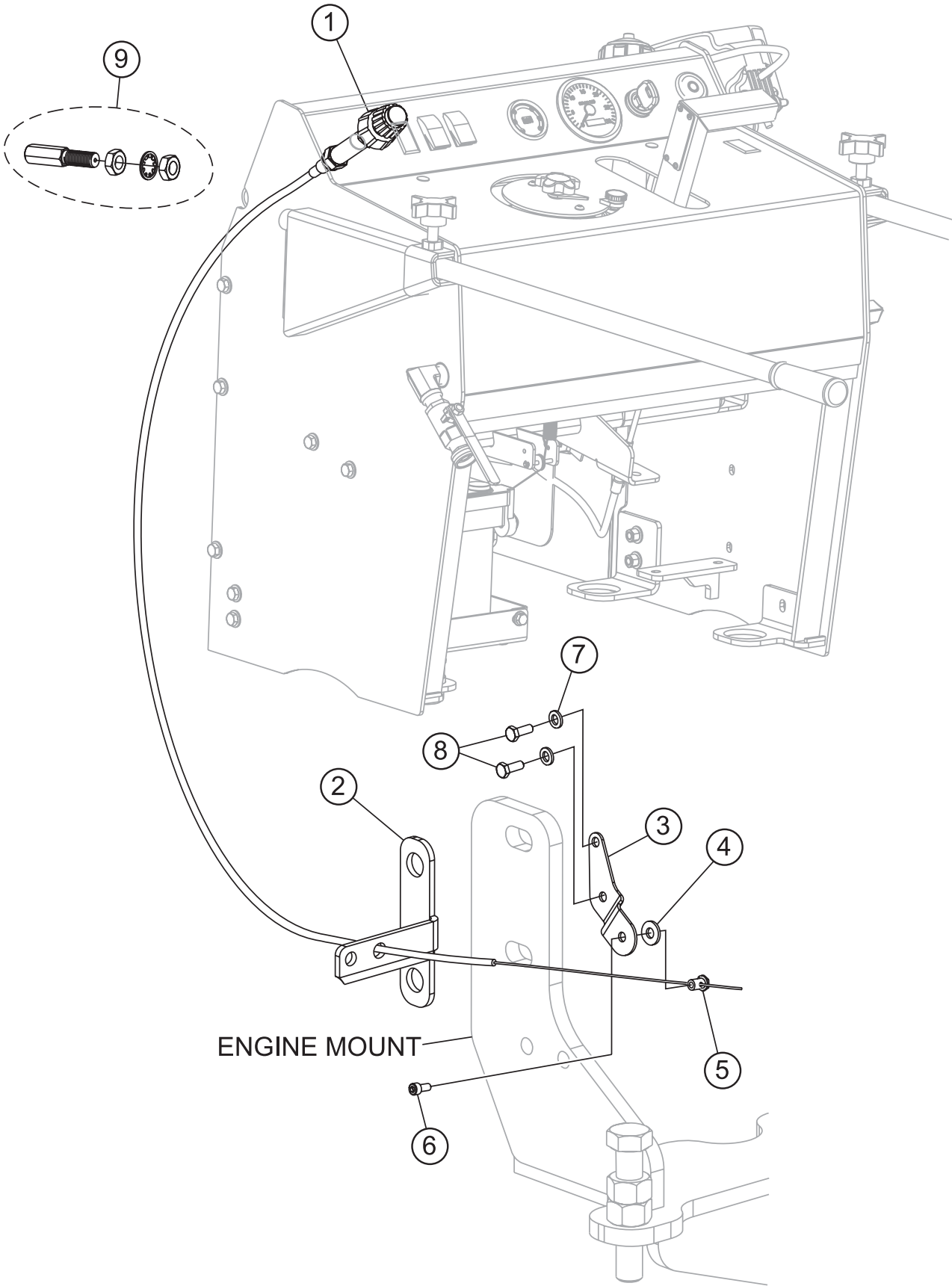
# ENGINE ASSY.

## ENGINE ASSY.

<u>NO.</u>	<u>PART NO.</u>	<u>PART NAME</u>	<u>QTY.</u>	<u>REMARKS</u>
1	37655	ENGINE, ASSEMBLY 4030 .....	1 .....	INCLUDES ITEMS W/#
2	2299	SCREW, HHC M8 - 1.25 X 16MM	1	
3	25591	WASHER, M8	1	
4	10024	NUT, NYLOC 1/4 X 20	2	
5	933240	WASHER, FLAT SAE 1/4 GR 9 YZ	2	
6	915004	SCREW, HHC 1/4 - 20 X 7/8	2	
7	37752	HEAT SHIELD .....	1 .....	SAFETY ITEM
8	37255	THROTTLE LEVER	1	
9	1174696	FILTER, FUEL DEUTZ	1	
10	1174416	FILTER, OIL DEUTZ	1	
11#	21004-003	V-BELT, AX-35	1	
12	37669	BRACKET, THROTTLE/FNR CABLE	1	
13#	35374	ENGINE, DEUTZ 30HP BF2L2011	1	
14#		STARTER	1	
15#		BOLT, (BELT ADJUST)	1	
16#		FLYWHEEL	1	
17	35365	EXHAUST, 4030 EXTENSION	1	
18	35374	AIR INTAKE MOUNT AND CAP	1	
19	29218	CLAMP, HOSE WORM #48 3.375 DIA.	2	

# THROTTLE CONTROL ASSY.

THROTTLE CONTROL ASSY.



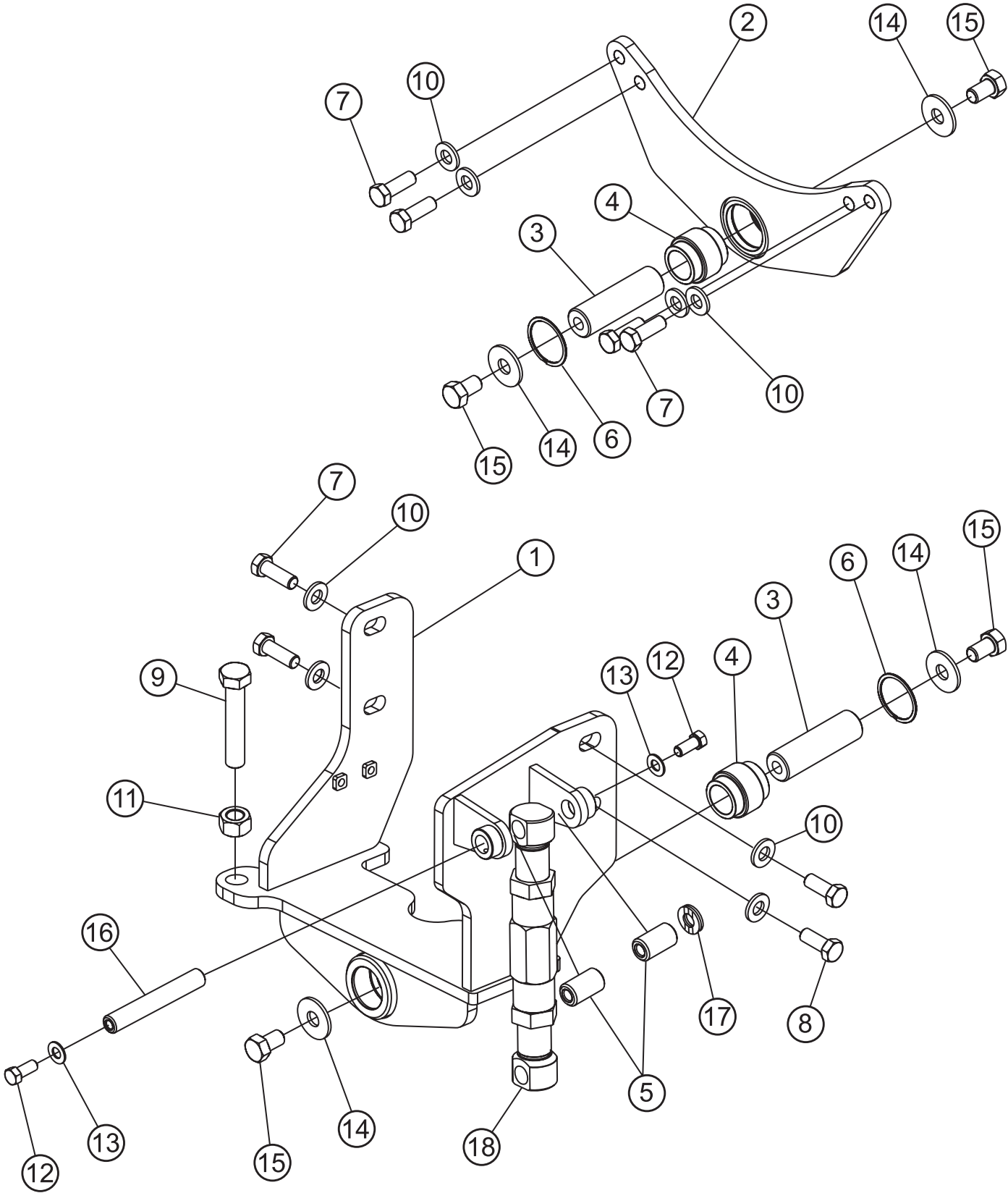
# THROTTLE CONTROL ASSY.

## THROTTLE CONTROL ASSY.

<u>NO.</u>	<u>PART NO.</u>	<u>PART NAME</u>	<u>QTY.</u>	<u>REMARKS</u>
1	37212	THROTTLE	1	
2	37669	BRACKET, THROTTLE/FNR CABLE	1	
3	37255	LEVER, THROTTLE	1	
4	933240	WASHER, FLAT SAE 1/4 GRD 9 YZ	1	
5	25624	SWIVEL, CABLE END W/ WASHER	1	
6	923113	SCREW, SHC 8 - 32 X 3/8 GRD 8	1	
7	23942-097	WASHER, M6	2	
8	12464	SCREW, HHC M6 - 1.0 X 16MM	2	
9	25634	BULK HEAD ADAPTOR	1	

# ENGINE MOUNTS ASSY.

ENGINE MOUNTS ASSY.



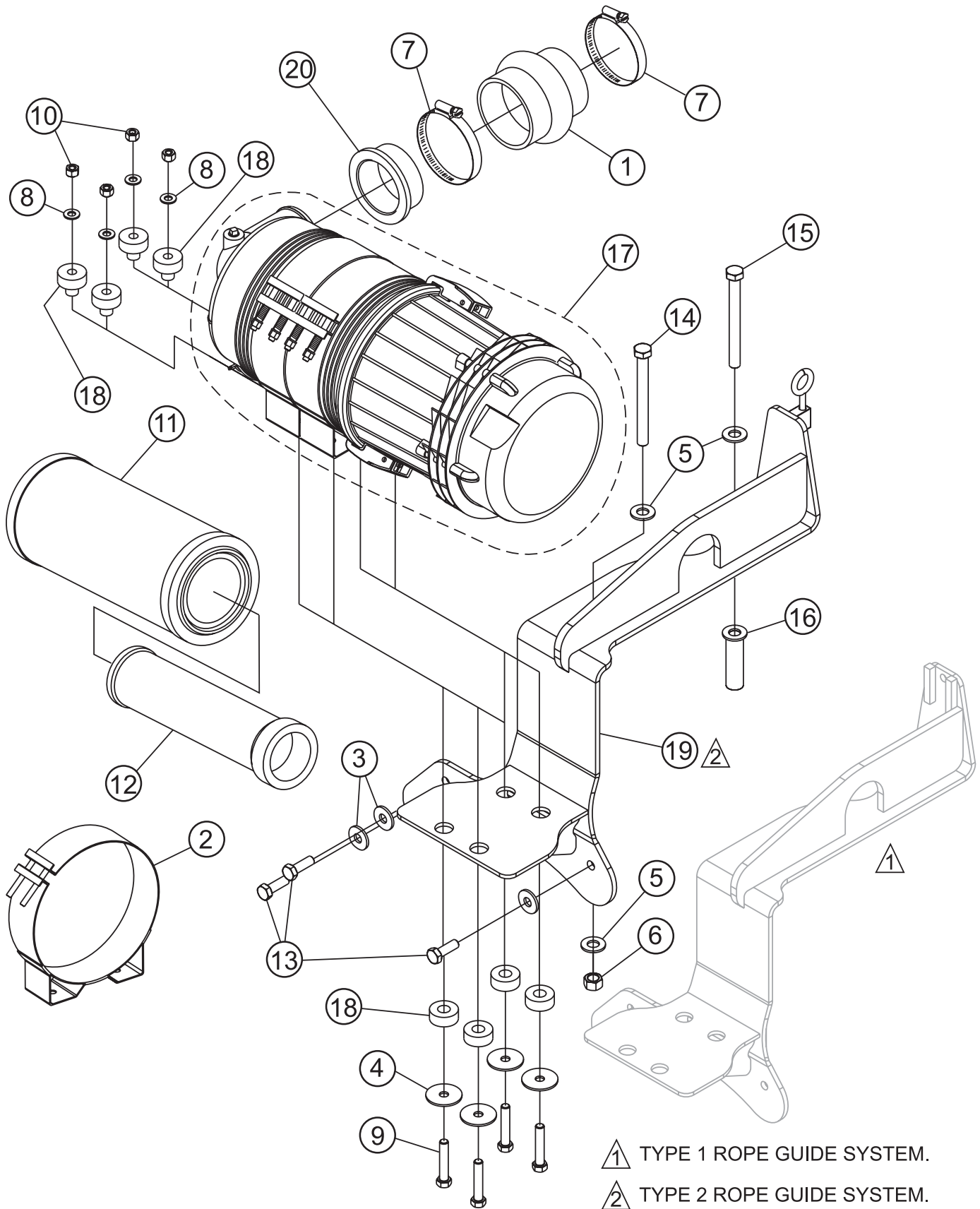
# ENGINE MOUNTS ASSY.

## ENGINE MOUNTS ASSY.

<u>NO.</u>	<u>PART NO.</u>	<u>PART NAME</u>	<u>QTY.</u>	<u>REMARKS</u>
1	37658	MOUNT, DEUTZ ENGINE RH	1	
2	37100	MOUNT, LH ENGINE	1	
3	37661	PIN, 4030 ENGINE PIVOT	2	
4	37031	BEARING, PLAIN 2.000 ULTRASERT UC200	2	
5	37741	SPACER, 1.00 OD X .75 ID X 1	2	
6	37313	RING, SPIRAL RETAINING WHM-200	2	
7	37310	SCREW, HHC M14-2.0 X 40MM GRD 10.9 NP	6	
8	37146	SCREW, HHC M14-2.0 X 35MM GRD 10.9 NP	2	
9	913838	SCREW, HHC 3/4 - 10 X 4 GRD5 ZINC	1	
10	933245	WASHER, FLAT SAE 9/16 GRD 9 YZ	8	
11	4389	NUT, HEX 3/4 - 10	1	
12	16530	SCREW, HHC 7/16 - 14 X 1	2	
13	933243	WASHER, FLAT SAE 7/16 GRD 9 YZ	2	
14	37037	WASHER, ENGINE PIVOT PIN	4	
15	06505-008	SCREW, HHC 5/8 - 11 X 1.00	4	
16	37166	PIN, LOWER ENGINE PIVOT	1	
17	37322	SPRING, CREST-TO-CREST C100-L2	1	
18	37751	TURNBUCKLE	1	

# LIFTING BALE AND AIR CLEANER ASSY.

LIFTING BALE AND AIR CLEANER ASSY.





# LIFTING BALE AND AIR CLEANER ASSY.

## LIFTING BALE AND AIR CLEANER ASSY.

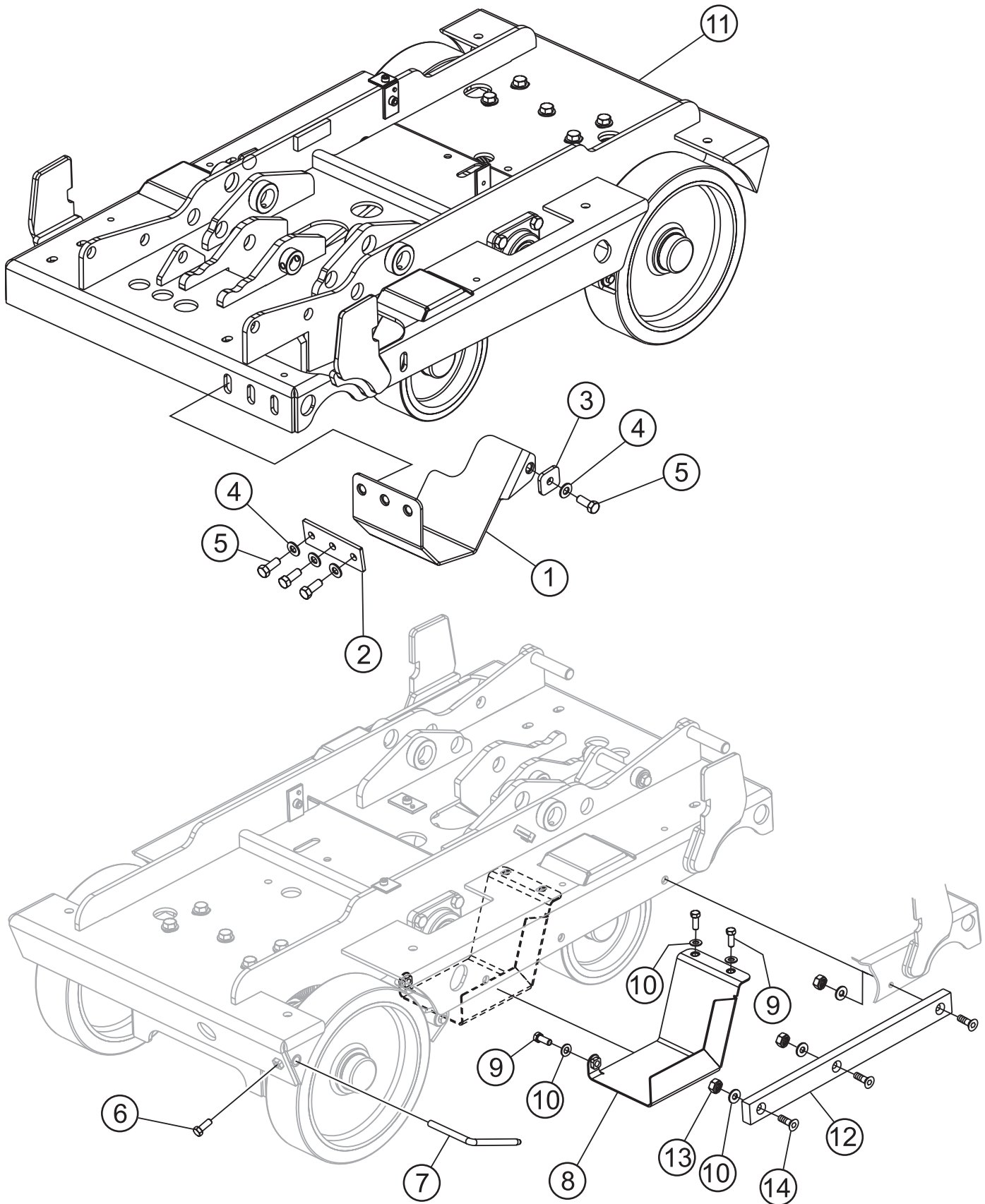
<u>NO.</u>	<u>PART NO.</u>	<u>PART NAME</u>	<u>QTY.</u>	<u>REMARKS</u>
1	302009	HOSE, HUMP 3" X 2.75"	1	
2	37761	BRACKET, AIR INTAKE BODY	2	
3	940358	WASHER, FLAT 10.5MM X 20MM ZINC	3	
4	12832	WASHER, SNUBBING KORF .148099-1	4	
5	933244	WASHER, FLAT SAE 1/2 GRD 9 YZ	3	
6	16083	NUT, HEX M12 - 1.75 NO PLATE	1	
7	29218	CLAMP, HOSE WORM # 48	2	
8	933241	WASHER, FLAT SAE 5/16 GRD 9 YZ	4	
9	1665	SCREW, HHC 3/8 - 16 X 2	4	
10	5283	NUT, NYLOC 5/16 - 18	4	
11	P772579	PRIMARY FILTER, DEUTZ BF3L2013	1	
12	P775300	SAFETY FILTER, DEUTZ BF3L2014	1	
13	9182	SCREW, HHC M8 - 1.25 X 45MM	3	
14	37314	SCREW, HHC M12 - 1.75 X 100MM TAP BOLT NP	1	
15	37315	SCREW, HHC M12 - 1.75 X 100MM 10.9 NP	1	
16	37144	SPACER, ENGINE LIFTING BRACKET	1	
17	37663	FILTER ASSEMBLY ENGINEAIRE 2-5 7 VLR 90	1	
18	575001	RUBBER ISOLATOR (2-PIECE)	4	
19	37664	MOUNT, 4030 LIFTING BALE/AIR CLEANER .....	1	SEE NOTE BELOW
20	25791	BUSHING, AIR INTAKE 2.75 X 3.00	1	



NOTE: TYPE 2 ROPE GUIDE SYSTEM  
SUPERCEDES TYPE 1 ROPE GUIDE  
SYSTEM. SEE ILLUSTRATION ON FRONT  
POINTER ASSY.

# PLATFORM GUARDS/REAR POINTER ASSY.

PLATFORM GUARDS/REAR POINTER ASSY.



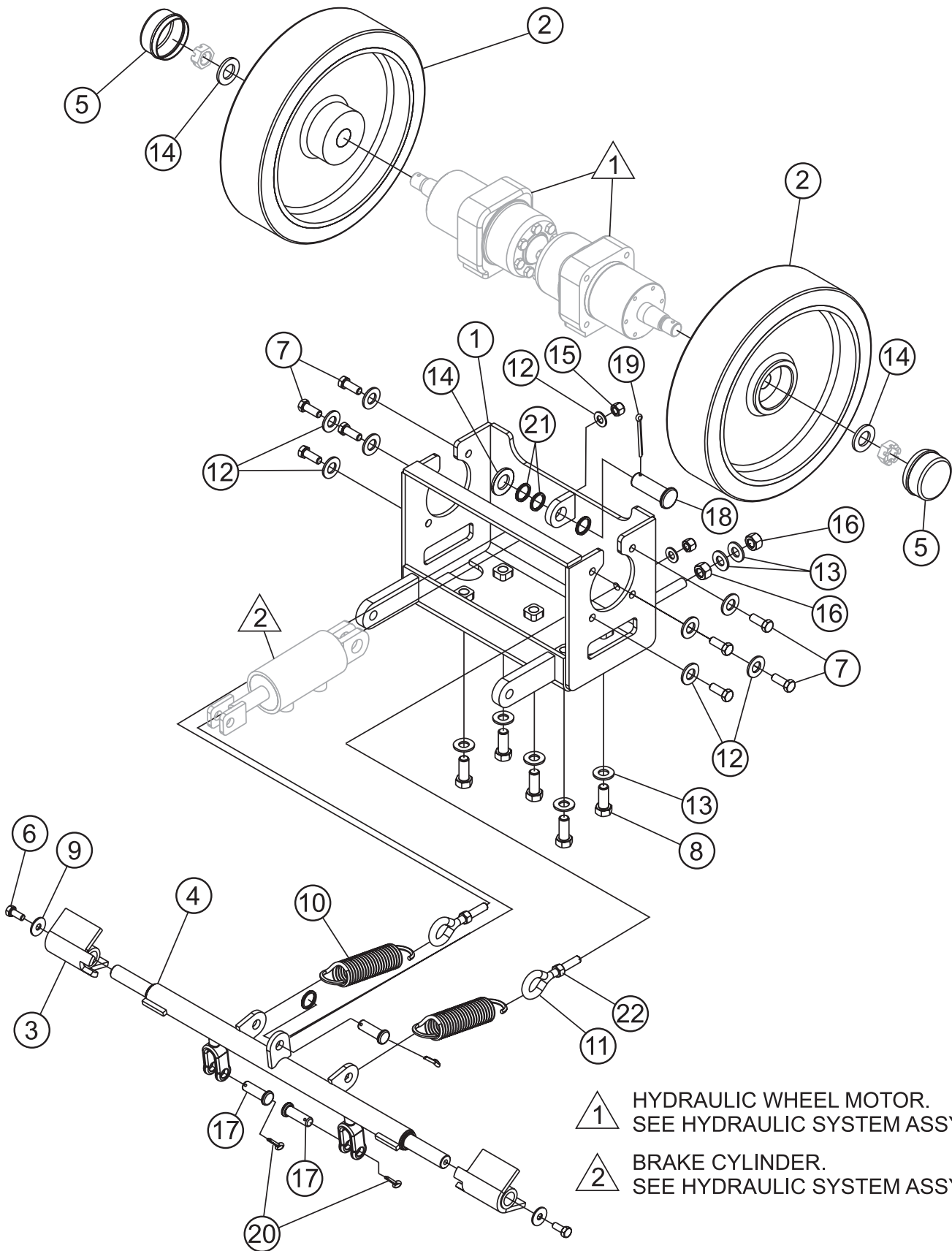
## PLATFORM GUARDS/REAR POINTER ASSY.

### PLATFORM GUARDS/REAR POINTER ASSY.

<u>NO.</u>	<u>PART NO.</u>	<u>PART NAME</u>	<u>QTY.</u>	<u>REMARKS</u>
1	37682	GUARD, BLADESHAFT PULLEY .....	1 .....	SAFETY ITEM
2	583091	STRAP, LOWER BELT GUARD	1	
3	583092	WASHER, LOWER BELT PROTECTOR	1	
4	933244	WASHER, FLAT SAE 1/2 GRD 9 YZ	4	
5	3214	SCREW, HHC 1/2 - 13 X 1-1/4	4	
6	915105	SCREW, HHC 3/8 - 16 X 1.0 GRD 8	1	
7	110020	POINTER, REAR SAW	1	
8	37728	SHIELD, CONCRETE SLURRY	1	
9	915105	SCREW, HHC 3/8 - 16 X 1.0 GRD 8	3	
10	933242	WASHER, FLAT SAE 3/8 GRD 9 YZ	6	
11	37632	PLATFORM, W/A	1	
12	37693	STRIP, SLURRY CONTROL	1	
13	10133	NUT, NYLOC 3/8 - 16	3	
14	20982	SCREW, FHSC 3/8 - 16 X 1-1/2 PLATED	3	

# WHEEL DRIVE ASSY.

WHEEL DRIVE ASSY.



1 HYDRAULIC WHEEL MOTOR.  
SEE HYDRAULIC SYSTEM ASSY.

2 BRAKE CYLINDER.  
SEE HYDRAULIC SYSTEM ASSY.

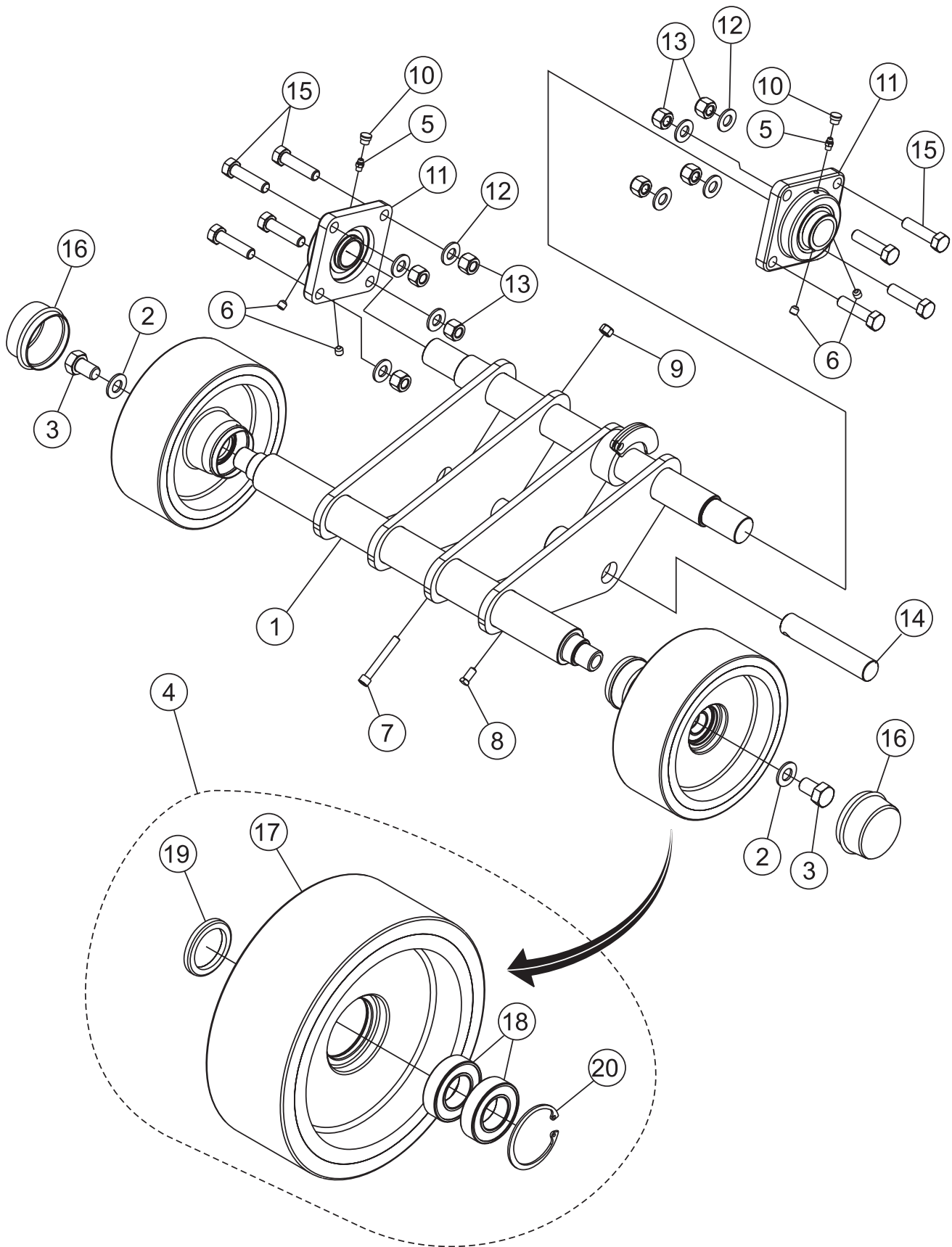
# WHEEL DRIVE ASSY.

## WHEEL DRIVE ASSY.

<u>NO.</u>	<u>PART NO.</u>	<u>PART NAME</u>	<u>QTY.</u>	<u>REMARKS</u>
1	37647	MOUNT, WHEEL MOTOR	1	
2	37095	WHEEL, 12 X 3 TAPERED BORE	2	
3	37044	BRAKE PAD	2	
4	37649	BRAKE PIVOT ROD	1	
5	37138	CAP, WHEEL DUST	2	
6	0655	SCREW, HHC 5/16 - 18 X 3/4	2	
7	0205	SCREW, HHC 3/8 - 16 X 1.0	8	
8	3214	SCREW, HHC 1/2 - 13 X 1-1/4	5	
9	933213	WASHER, FENDER 5/16 X 1 ZINC	2	
10	37048	SPRING, 1.125 X .187 X 4 W/EYELET	2	
11	23858-001	EYEBOLT, 3/8 - 16 X 2.0	2	
12	933242	WASHER, FLAT SAE 3/8 GRD 9 YZ	10	
13	933244	WASHER, FLAT SAE 1/2 GRD 9 YZ	7	
14	933247	WASHER, FLAT SAE 3/4 GRD 9 YZ	3	
15	10133	NUT, NYLOC 3/8 - 16	2	
16	968011	NUT, HEX FINISH 1/2 - 13	2	
17	19974	PIN, CLEVIS 1/2 X 1.25	3	
18	966166	PIN, CLEVIS 3/4 X 2	1	
19	965105	PIN, COTTER 5/32 X 1-1/2	1	
20	965103	PIN, COTTER 5/32 X 1	3	
21	37322	SPRING, CREST TO CREST	6	
22	1456	NUT, HEX FINISH 3/8 - 16	2	

# FRONT AXLE ASSY.

FRONT AXLE ASSY.



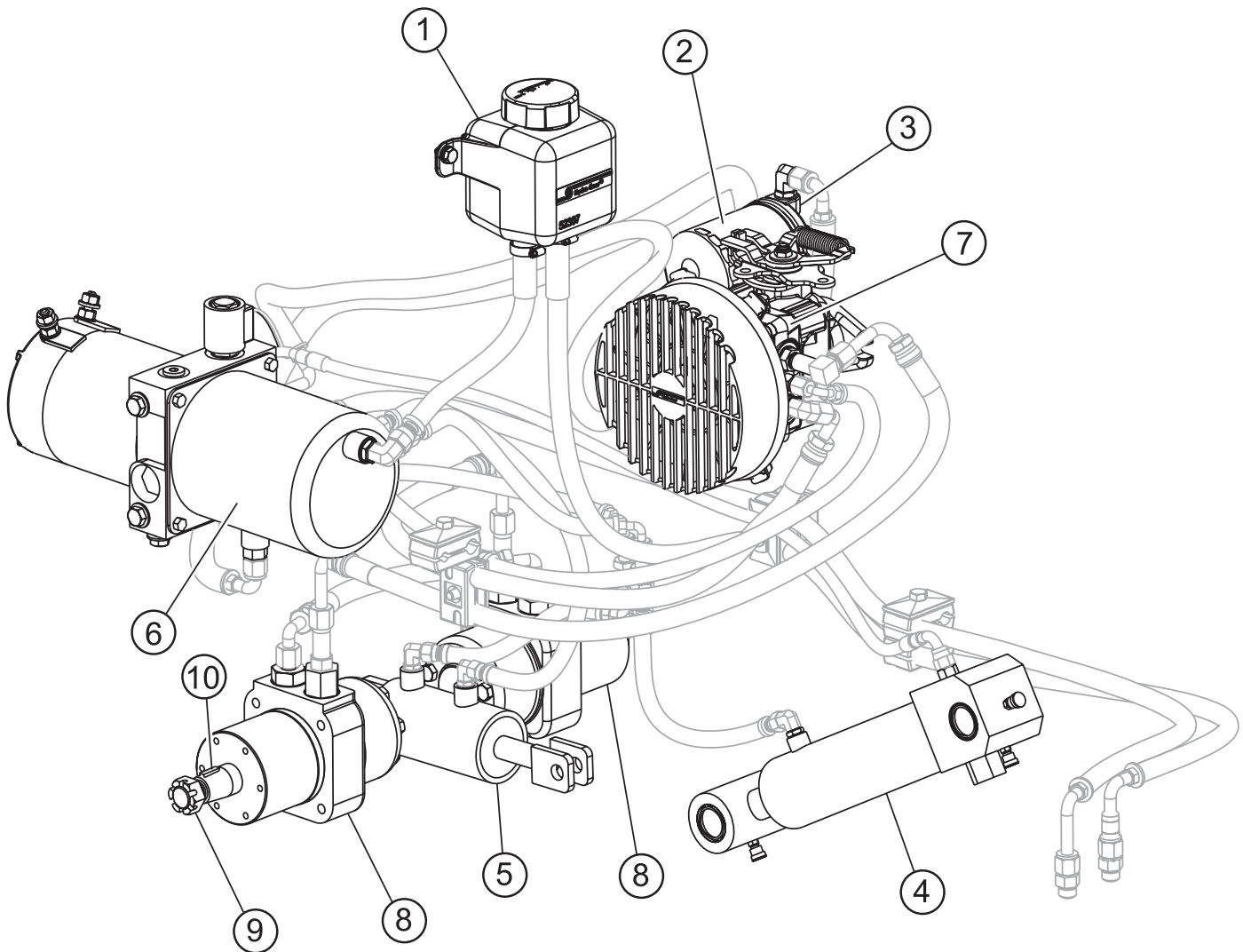
# FRONT AXLE ASSY.

## FRONT AXLE ASSY.

<u>NO.</u>	<u>PART NO.</u>	<u>PART NAME</u>	<u>QTY.</u>	<u>REMARKS</u>
1	37625	FRONT AXLE W/A	1	
2	933246	WASHER, FLAT 5/8 SAE GRD9 YZ	2	
3	06505-008	SCREW, HHC 5/8 - 11 X 1.00	2	
4	37132	WHEEL ASSEMBLY, FRONT .....	2	INCLUDES ITEMS W/*
5	2621	FITTING, GREASE ZERK STR 1/4 - 28	2	
6	26091	SCREW, SHS 1/4 - 28 X 1/4 CUP POINT	4	
7	2186	SCREW, SHC 5/16 - 18 X 2-1/4 PLTD	1	
8	926064	SCREW, SQHS CUP POINT 5/16 - 24 X 5/8	1	
9	5283	NUT, NYLOC 5/16 - 18	1	
10	1162 A	CAP, GREASE ZERK #2 YELLOW	2	
11	37040	BEARING, 1.250" FLANGE	2	
12	933244	WASHER, FLAT SAE 1/2 - 13 GD 8	8	
13	16629	NUT, NYLOC 12 - 13 GD 8	8	
14	37260	PIN, LIFT CYLINDER	1	
15	915211	SCREW, HHC 1/2 - 13 X 2 GRD8 YZ	8	
16	37138	CAP, WHEEL DUST	2	
17*	37131	WHEEL, 8 X 3 POLYURETHANE	2	
18*	460002	BEARING, BALL KOYO # 6005 SRS	4	
19*	485002	SEAL, OIL CR # 28655	2	
20*	576003	SNAP RING, - HO-185	2	

# HYDRAULIC SYSTEM ASSY.

HYDRAULIC SYSTEM ASSY.





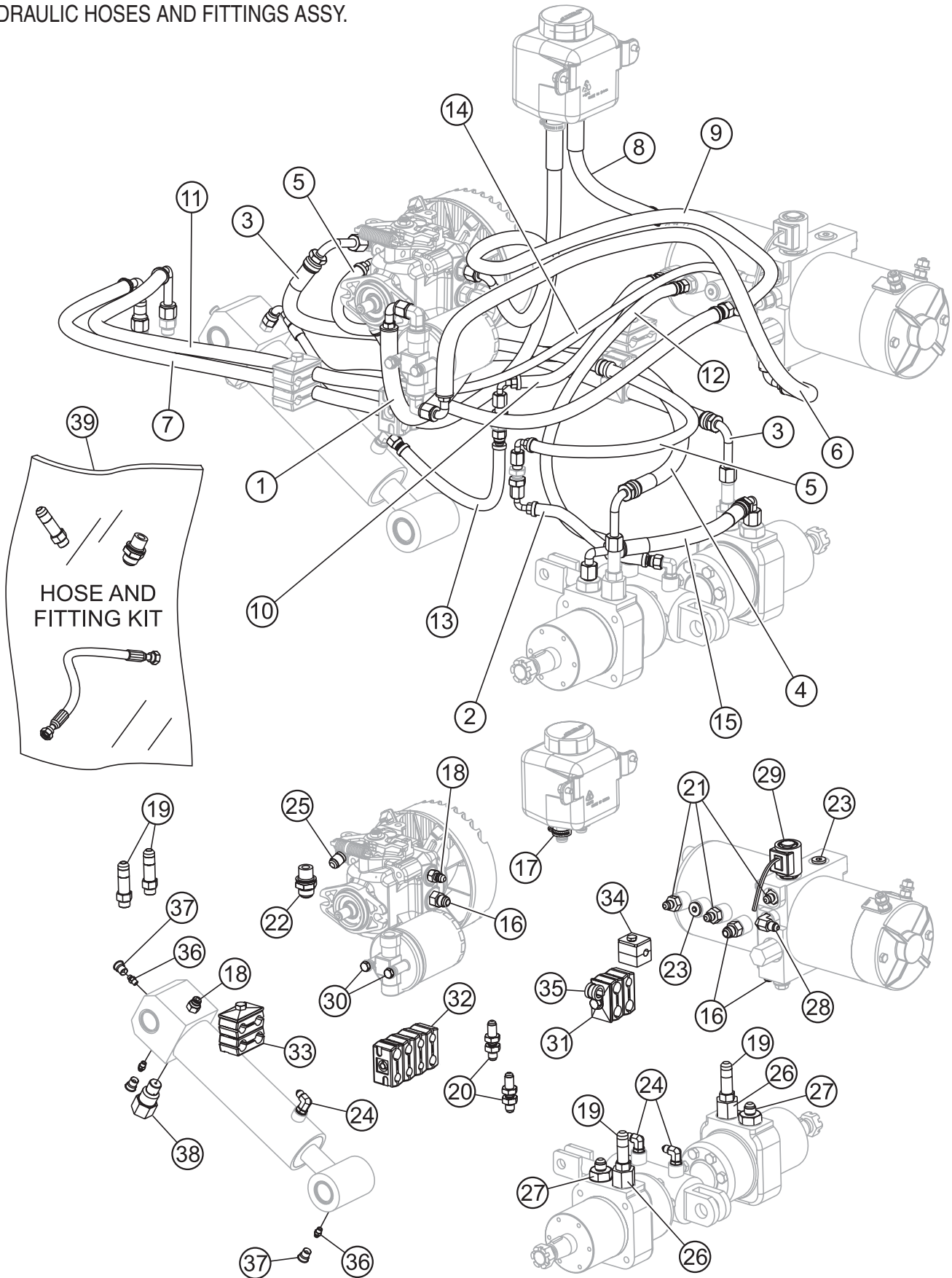
## HYDRAULIC SYSTEM ASSY.

### HYDRAULIC SYSTEM ASSY.

<u>NO.</u>	<u>PART NO.</u>	<u>PART NAME</u>	<u>QTY.</u>	<u>REMARKS</u>
1	37213	RESERVOIR, 350ML HYDROGEAR	1	
2	306006	FILTER	1	
3	25617	FILTER HEAD, (FILTER MOUNT)	1	
4	37121	LIFT CYLINDER ASSEMBLY	1	
5	37211	CYLINDER, BRAKE 2" X 1.5" STROKE	1	
6	37113	PUMP, 24V DC LIFT HYDROGEAR	1	
7	37104	PUMP, BDP-6 PC-BGCC-AA1Z-XXXX	1	
8	37056	MOTOR, WHEEL - HYDROGEAR HGM-15P-7131	2	
9	37923	NUT, 3/4 - 20 HEX SLOTTED	2	
10	0126	KEY, WOODRUFF #606 3/16 X 3/4	2	

# HYDRAULIC HOSES AND FITTINGS ASSY.

HYDRAULIC HOSES AND FITTINGS ASSY.



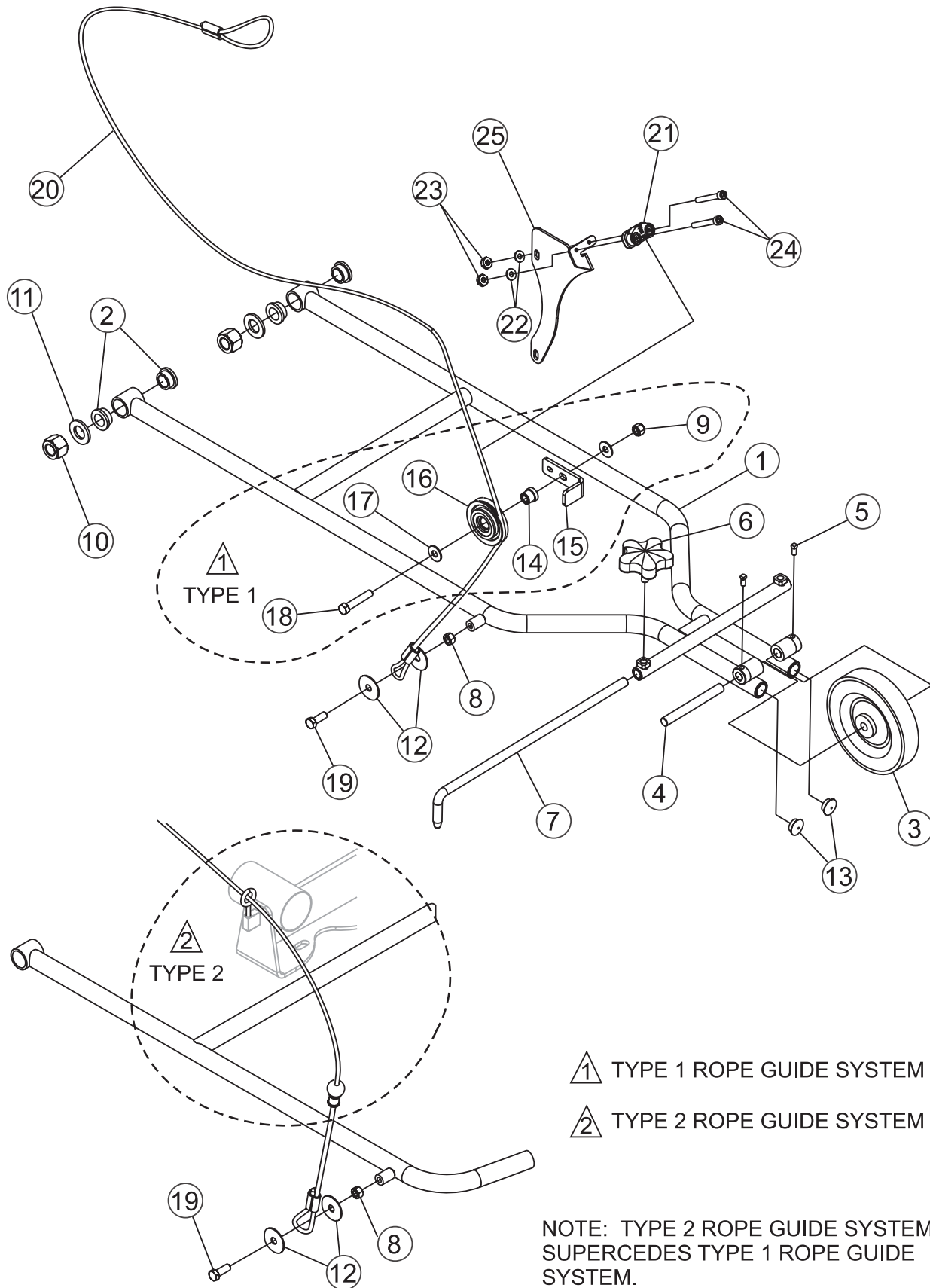
# HYDRAULIC HOSES AND FITTINGS ASSY.

## HYDRAULIC HOSES AND FITTINGS ASSY.

<u>NO.</u>	<u>PART NO.</u>	<u>PART NAME</u>	<u>QTY.</u>	<u>REMARKS</u>
1	37282	HOSE ASSY., #6 LP	1	
2	37695	HOSE ASSY., #4 LP"	1	
3	37696	HOSE ASSY., #6 PARFLEX	1	
4	37697	HOSE ASSY., #6 PARFLEX	1	
5	37698	HOSE ASSY., #4 LP	1	
6	37700	HOSE ASSY., #6 LP	1	
7	37701	HOSE ASSY., #6-8 LP	1	
8	37702	HOSE ASSY., #6-8 LP	1	
9	37704	HOSE ASSY., #6 LP	1	
10	37705	HOSE ASSY., #4 LP	1	
11	37708	HOSE ASSY., #6 LP	1	
12	37709	HOSE ASSY., #4 LP	1	
13	37710	HOSE ASSY., #4 LP	1	
14	37711	HOSE ASSY., #4 HP PARFLEX	1	
15	37712	HOSE ASSY., DRIVE MOTOR CROSSOVER	1	
16	11721	FITTING, STR 6MJ - 6MO	3	
17	15538	CLAMP, HOSE WORM #6, 7/16" TO 7/8"	2	
18	21095	FITTING, STR 4MJ - 4MO	2	
19	21115	FITTING, STR 6MJ - 6MO LONG	4	
20	366437	FITTING, BULKHEAD #4 JIC	2	
21	367470	FITTING, STR 4MJ - 6MO	3	
22	367681	FITTING, STR MJ - M18MO	1	
23	368699	PLUG, 6MO HEX SKT HD	2	
24	368817	FITTING, 90 4MJ - 4MO	3	
25	37400	FITTING, 6MJ X 6MO - 90LL	1	
26	37405	FITTING, 10MO X - 6FO - ST	2	
27	37406	FITTING, 6MJ X 10MO - ST	2	
28	37407	FITTING, 4MJ X 6MO - 90	1	
29	37825	COIL, LIFT PUMP VALVE CARTRIDGE	1	
30	1579	SCREW, HHC 1/4 - 20 X .5	2	
31	37432	CLAMP ASSEMBLY, HOSE	1	
32	37431	CLAMP ASSEMBLY, HOSE	1	
33	37433	CLAMP ASSEMBLY, HOSE	1	
34	37352	CLAMP ASSEMBLY, 5/16 HOSE	1	
35	35022	CLAMP, LOOP CUSHIONED #8	1	
36	2621	FITTING, GREASE ZERK STR 1/4 - 28	3	
37	1162 A	CAP, GREASE ZERK #2	3	
38	37110	VEL. FUSE VALVE, 7/8 DELTA SER. DE-CVF-00	1	
39	37718	HOSE AND FITTING KIT 4030	1	

# FRONT POINTER ASSY.

## FRONT POINTER ASSY.



▲ TYPE 1 ROPE GUIDE SYSTEM

▲ TYPE 2 ROPE GUIDE SYSTEM

NOTE: TYPE 2 ROPE GUIDE SYSTEM SUPERCEDES TYPE 1 ROPE GUIDE SYSTEM.

# FRONT POINTER ASSY.

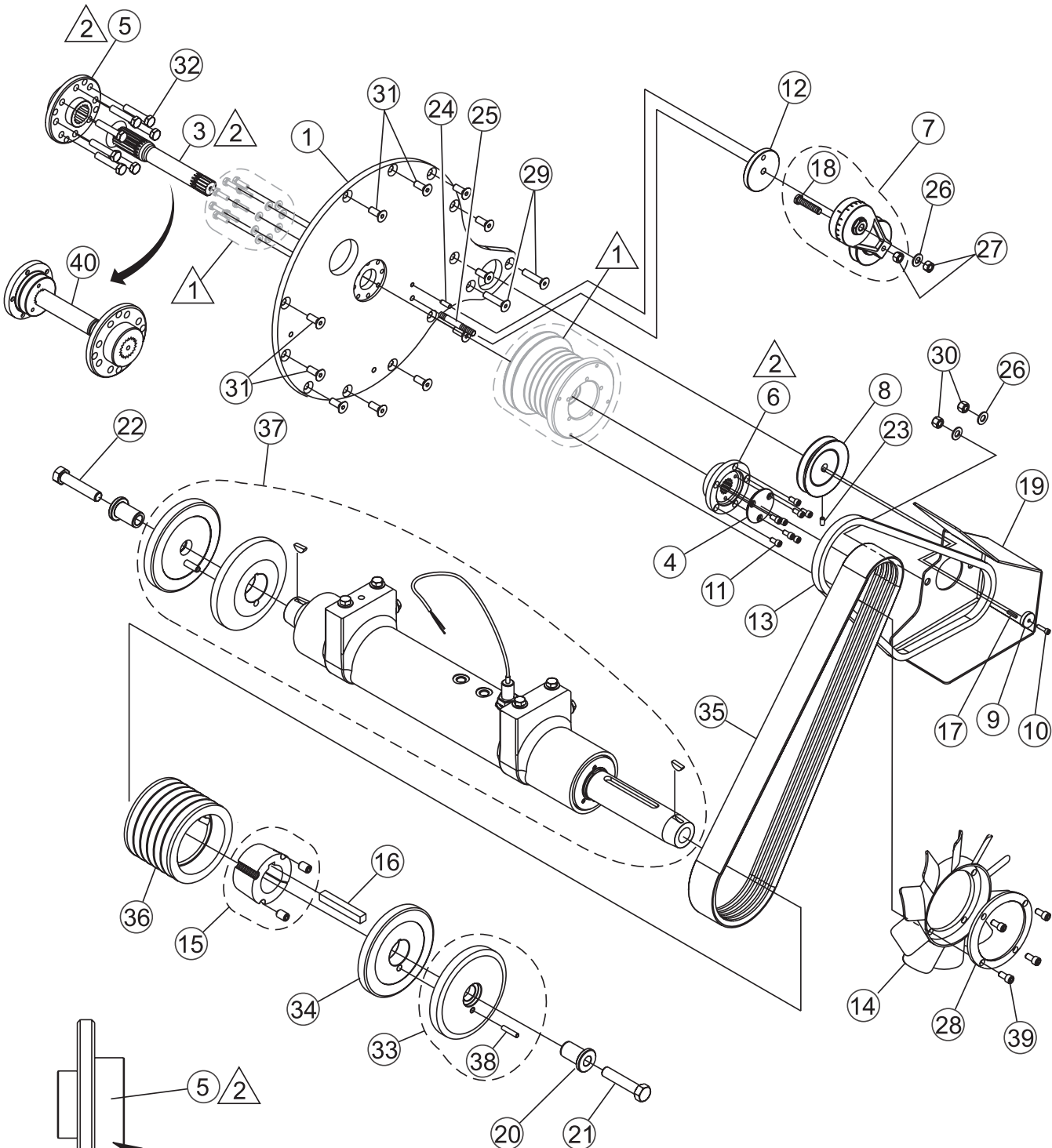
## FRONT POINTER ASSY.

<u>NO.</u>	<u>PART NO.</u>	<u>PART NAME</u>	<u>QTY.</u>	<u>REMARKS</u>
1	37651	POINTER	1	
2	582008	BUSHING, FLANGE 1.0 OD X .75 ID	4	
3	500005	WHEEL, POINTER 6" X 1"	1	
4	37178	AXLE, POINTER WHEEL	1	
5	926006	SCREW, SQHS CP 1/4 - 20 X1/2	2	
6	15503	KNOB, COMFORT GRIP STAR	1	
7	110038	SAW POINTER 15" RH FRONT	1	
8	1456	NUT, HEX FINISH 3/8 - 16	1	
9	10133	NUT, NYLOC 3/8 - 16 .....	1	SEE NOTE BELOW
10	5070 B	NUT, NYLOC 3/4 - 10	2	
11	933247	WASHER, FLAT SAE 3/4 GRD 9 YZ	2	
12	3233	WASHER, FENDER 1.50 OD X 3/8 ID	2	
13	37261	PLUG, FINISHING 3/4"	2	
14	544002	SHOULDER, ADAPTER .....	1	SEE NOTE BELOW
15	125043-3	RETAINER, SAW POINTER CABLE .....	1	SEE NOTE BELOW
16	540039	PULLEY, POINTER ROPE .....	1	SEE NOTE BELOW
17	10136	WASHER, FLAT SAE 3/8 .....	2	SEE NOTE BELOW
18	1665	SCREW, HHC 3/8 - 16 X 2 .....	1	SEE NOTE BELOW
19	0205	SCREW, HHC 3/8 - 16 X 1.0	1	
20	574003	ROPE, POINTER ASSY. ....	1	INCLUDES BALL & CRIMP
21	574002	CAM CLEAT	1	
22	15173	WASHER, FLAT #8	2	
23	13287	NUT, NYLOC 8 - 32	2	
24	923199	SCREW, SHC 8 - 32 X 1-1/4	2	
25	37652	MOUNT, 4030 CAM CLEAT	1	

NOTE: THESE PARTS ARE USED ONLY ON "TYPE 1"  
ROPE GUIDE SYSTEMS SHOWN IN ILLUSTRATION.

# BELT DRIVE ASSY.

## BELT DRIVE ASSY.



NOTE: THIS SIDE TOWARD FLYWHEEL

SCALE 1:3

1 SEE DRIVE PULLEY ASSY.

2 ITEMS 3, 5, 6 INCLUDED WITH ITEM 40, SPLINED DRIVE ASSY, P/N 37834

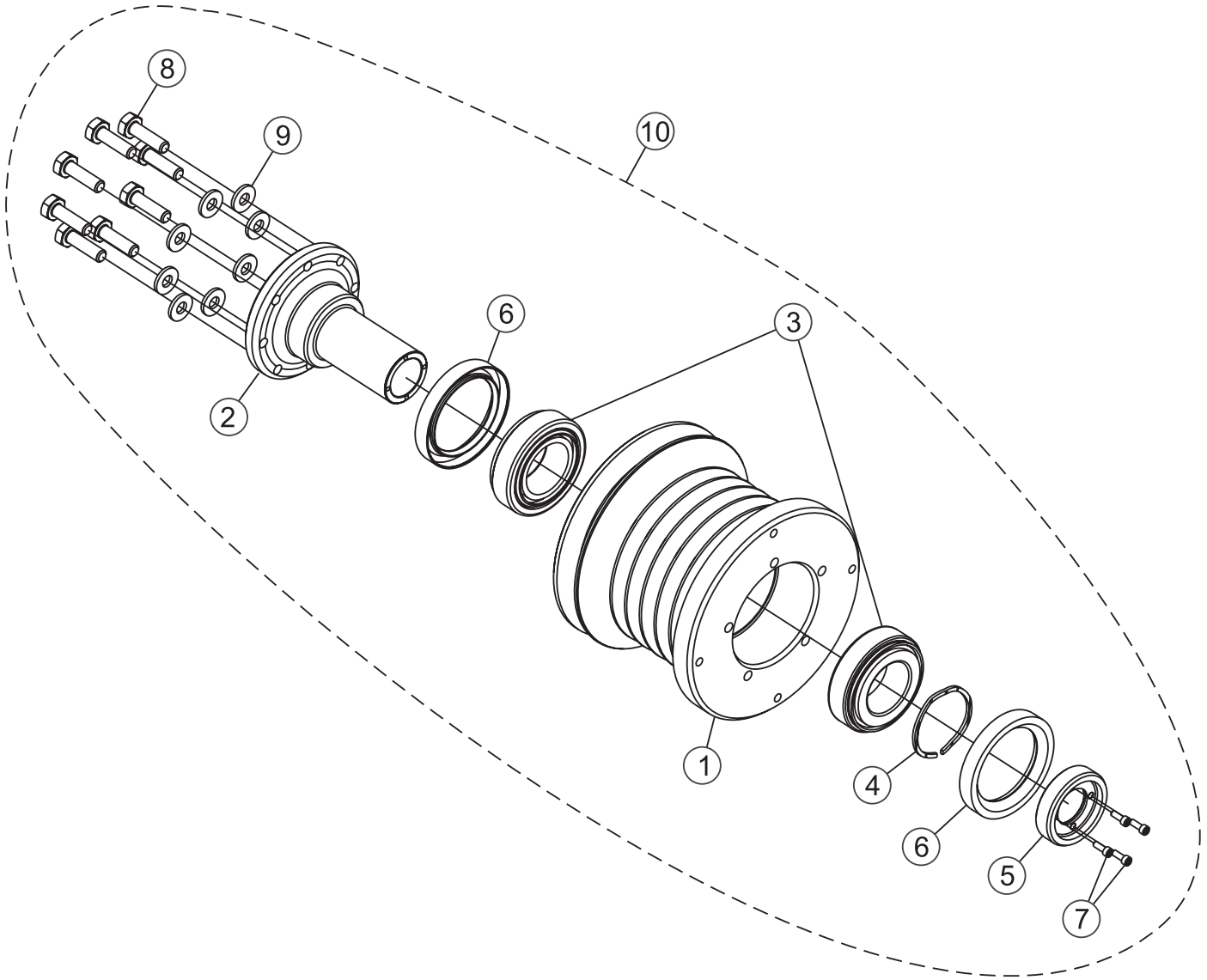
# BELT DRIVE ASSY.

## BELT DRIVE ASSY.

<u>NO.</u>	<u>PART NO.</u>	<u>PART NAME</u>	<u>QTY.</u>	<u>REMARKS</u>
1	37001	PLATE, ENGINE ADAPTER-DEUTZ	1	
3#		SHAFT, 4030 ENGINE DRIVE-DEUTZ	1	
4	37571	PLATE, PULLEY DRIVE COVER	1	
5#		FLANGE, ENGINE DRIVE-DEUTZ	1	
6#		FLANGE, 4030 ENGINE DRIVE PULLEY-DEUTZ	1	
7	37137	BELT TENSIONER ASSY. ....	1	INCLUDES ITEMS W/*
8	37002	PULLEY, PUMP DRIVE 3.75" A-SECTION	1	
9	37319	WASHER, THRUST 1.00 OD X .265 L X .265 H	1	
10	37320	SCREW, SHC 10-32 X 3/4	1	
11	923201	SCREW, SHC 1/4 - 20 X 1/2	8	
12	37267	SPACER, BELT TENSIONER	1	
13	21004-003	BELT, AX-35	1	
14	37734	FAN, CW 8" 10 BLADE	1	
15	582020	BUSHING, TAPER-LOCK 1615 X 1-1/5 .....	1	FITS 16", 26"
15	460030	BUSHING, TAPER-LOCK .....	1	FITS 20"
15	582019	BUSHING, TAPER-LOCK .....	1	FITS 30"
16	10057-061	KEY, 1/2" SQ X 3-1/2"	1	
17	37269	KEY, SQUARE 1/8 X 3/4	1	
18*	37266	SCREW, MODIFIED HEAD 3/8 X 1-3/4	1	
19	37576	GUARD, PUMP DRIVE .....	1	SAFETY ITEM
20	582012	BUSHING, QUICK DISCONNECT BLADE SHAFT	2	
21	915315	SCREW, HHC 5/8 - 11 X 3 GR8	1	
22	915316	SCREW, HHC 5/8 - 11 X 3 LH GR8	1	
23	10138	SCREW, SHS 1/4 - 20 X 1/2 NP	1	
24	926919	PIN, DOWEL 1/4 X 3/4	1	
25	37268	STUD, 3/8 - 16 X 3 SELF-LOCKING	1	
26	933242	WASHER, FLAT SAE 3/8 GRD 9YZ	5	
27	1456	NUT, HEX FINISH 3/8 - 16	4	
28	37735	RING, FAN MOUNT	1	
29	924289	SCREW, FHSC 3/8 - 16 X 1-3/4	2	
30	10133	NUT, NYLOC 3/8 - 16	2	
31	939978	SCREW, FHSC M10 - 1.5 X 25MM NP	11	
32	938422	SCREW, HHC M10 - 1.0 X 50MM 10.9 NP	8	
33	37685	FLANGE ASSY, 4.375" OUTER BLADE .....	2	16", 20", 26", 30" BELT DRIVE INCLUDES ITEMS W/%
33	37169	FLANGE ASSY, 5.0" OUTER BLADE .....	2	FITS 30", BELT DRIVE INCLUDES ITEMS W/%
34	37675	FLANGE ASSY, 4.375" INNER BLADE .....	2	FITS 16", 20", 26" BELT DRIVE
34	37676	FLANGE ASSY, 5.0" INNER BLADE .....	2	FITS 30", BELT DRIVE
35	37577	BELT, 6G 3 VX 500 OPTIBELT	1	
36	37574	PULLEY, 3.6 6G 3V 1615 TAPER .....	1	FITS 16" BELT DRIVE
36	540065	PULLEY, 4.2 6G 3V 2012 TAPER .....	1	FITS 20" BELT DRIVE
36	540049	PULLEY, 4.4 6G 3V 1615 TAPER .....	1	FITS 26" BELT DRIVE
36	37575	PULLEY, 4.75 10G 3V X 2017 TAPER .....	1	FITS 30" BELT DRIVE
37	37671	BLADE SHAFT ASSEMBLY 4030	1	
38	926790	PIN, DOWEL 3/8 X 1-3/4	2	
39	25992	SCREW, SHC 12 - 24 X 1/2	4	
40	37834	SPLINED DRIVE ASSY .....	1	INCLUDES ITEMS W/#

# DRIVE PULLEY ASSY.

DRIVE PULLEY ASSY.





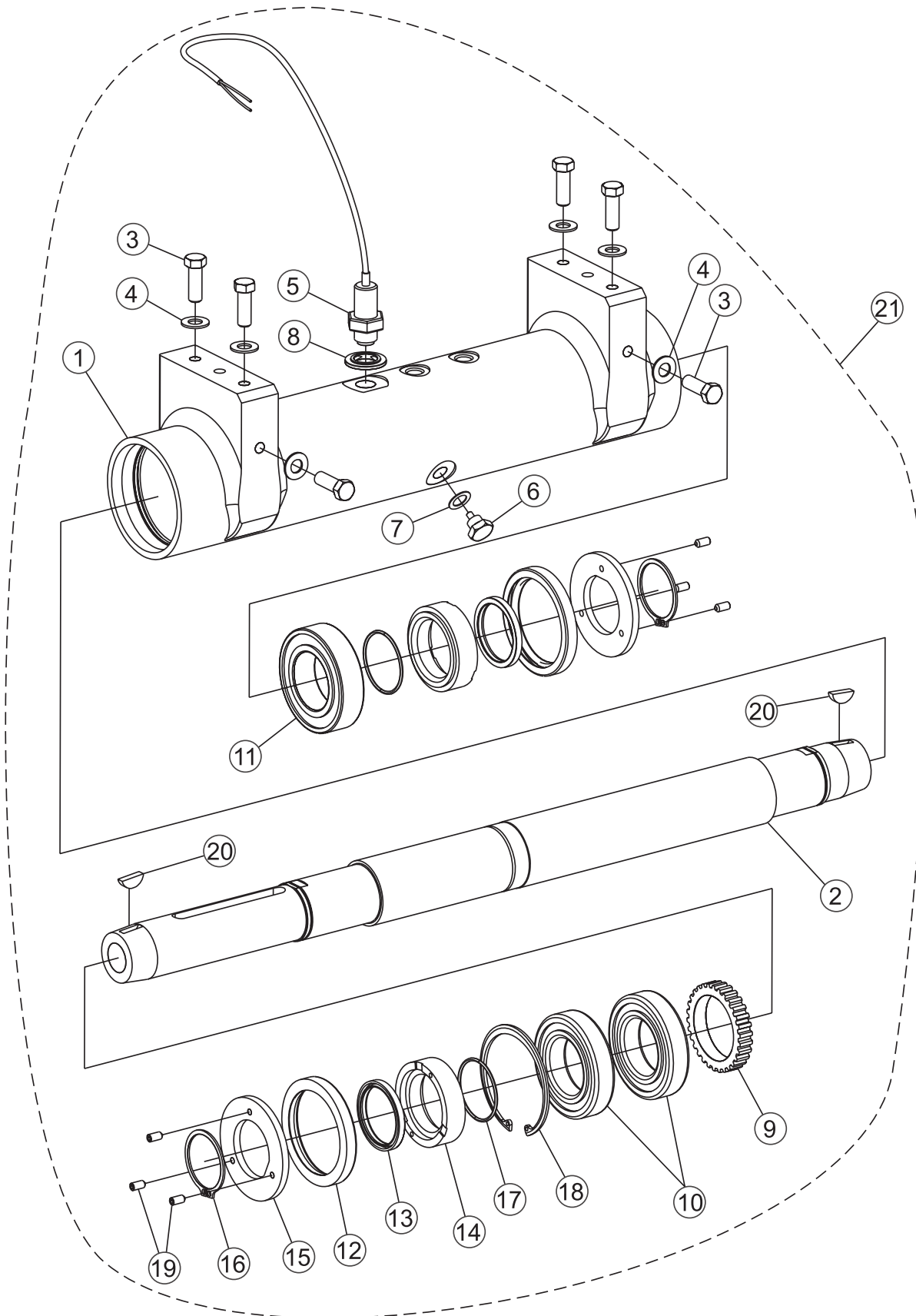
# DRIVE PULLEY ASSY.

## DRIVE PULLEY ASSY.

<u>NO.</u>	<u>PART NO.</u>	<u>PART NAME</u>	<u>QTY.</u>	<u>REMARKS</u>
1*	37566	PULLEY, 3.03 6 3V 4.5 1A .....	1 .....	FITS 26", 30", BELT DRIVE
1#	37570	PULLEY, 3.7 6 3V 4.5 1A .....	1 .....	FITS 16", 20" BELT DRIVE
2*#	37567	SUPPORT, 4030 BEARING	1	
3*#	35314	BEARING, TAPERED ROLLER NSK #320/28XJ	2	
4*#	35315	SPRING, WAVO SMALLEY RW-0150	1	
5*#	37568	FLANGE, 4030 BEARING SUPPORT DRIVE	1	
6*#	35318	SEAL, CR 15821	2	
7*#	37035	SCREW, SHC 4-40 X 3/8	4	
8*#	915004	SCREW, HHC 1/4 - 20 X 7/8 GR8 YZ	8	
9*#	933240	WASHER, FLAT SAE 1/4 GRD 9 YZ	8	
10	37565	DRIVE PULLEY ASSY., 3.03 6 3V 4.5 1A .....	1 .....	FITS 26", 30", BELT DRIVE ..... INCLUDES ITEMS W/*
10	37569	DRIVE PULLEY ASSY., 3.7 6 3V 4.5 1A .....	1 .....	FITS 16", 20" BELT DRIVE ..... INCLUDES ITEMS W/#

# BLADE SHAFT ASSY.

## BLADE SHAFT ASSY.



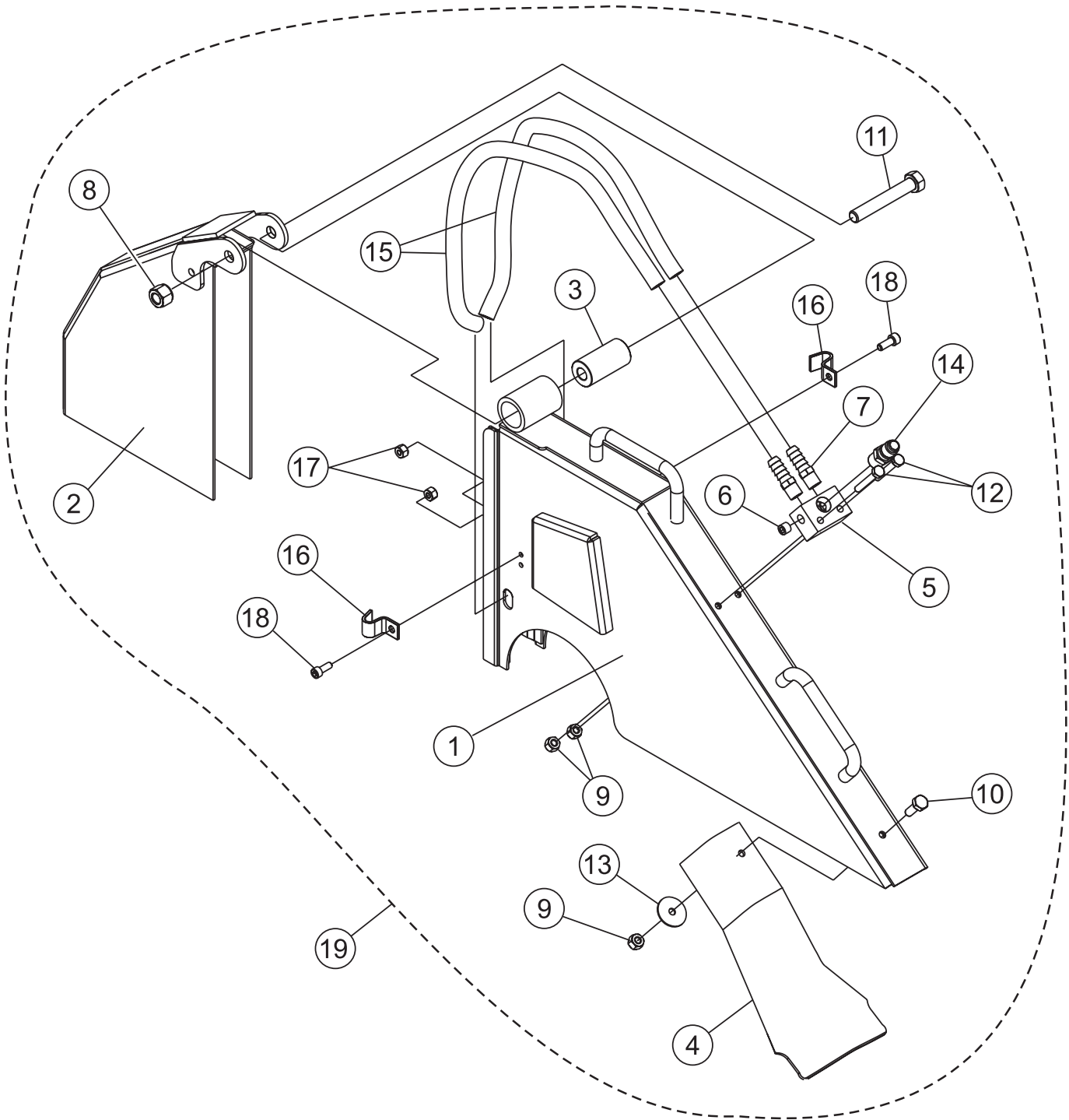
# BLADE SHAFT ASSY.

## BLADE SHAFT ASSY.

<u>NO.</u>	<u>PART NO.</u>	<u>PART NAME</u>	<u>QTY.</u>	<u>REMARKS</u>
1*	37672	HOUSING, 4030 BLADESHAFT	1	
2*	37673	BLADESHAFT, 4000 SERIES	1	
3*	06502-010	SCREW, HHC 7/16 - 14 X 1-1/4	6	
4*	933243	WASHER FLAT SAE 7/16 GRD 9 YZ	6	
5*	421001	SENSOR, HALL EFFECT SPEED PICKUP	1	
6*	583026	DRAIN PLUG, MAGNETIC 1/2 - 20	1	
7*	577009	GASKET, DRAIN PLUG	1	
8*	25695	WASHER, SEAL 3/4"	1	
9*	25690	GEAR, SAW BLADE SHAFT SPEED PICKUP	1	
10*	460010	BEARING, ROLLER KOYO # 7210BGC3	2	
11*	39460011	BEARING, BALL KOYO # NU2210RC3	1	
12*	480006	SEAL, OIL CR# 28655	2	
13*	480007	SEAL, OIL CR- 19599	2	
14*	485003	SLEEVE, BLADE SHAFT SEAL	2	
15*	486001	WASHER, THRUST 6000 SERIES	2	
16*	576006	SNAP RING, VITON # AS-135	2	
17*	578135	O-RING, VITON # AS-135	2	
18*	576007	SNAP RING, VHO-354	1	
19*	925382	SCREW, KP SHS 1/4 - 20 X 1/2	6	
20*	969314	KEY, WOODRUFF 3/16 X 5/8	2	
21	37671	BLADESHAFT ASSEMBLY 4030 .....	1	INCLUDES ITEMS W/*

# 16", 20", 26" BLADE GUARD ASSY.

16", 20", 26" BLADE GUARD ASSY.



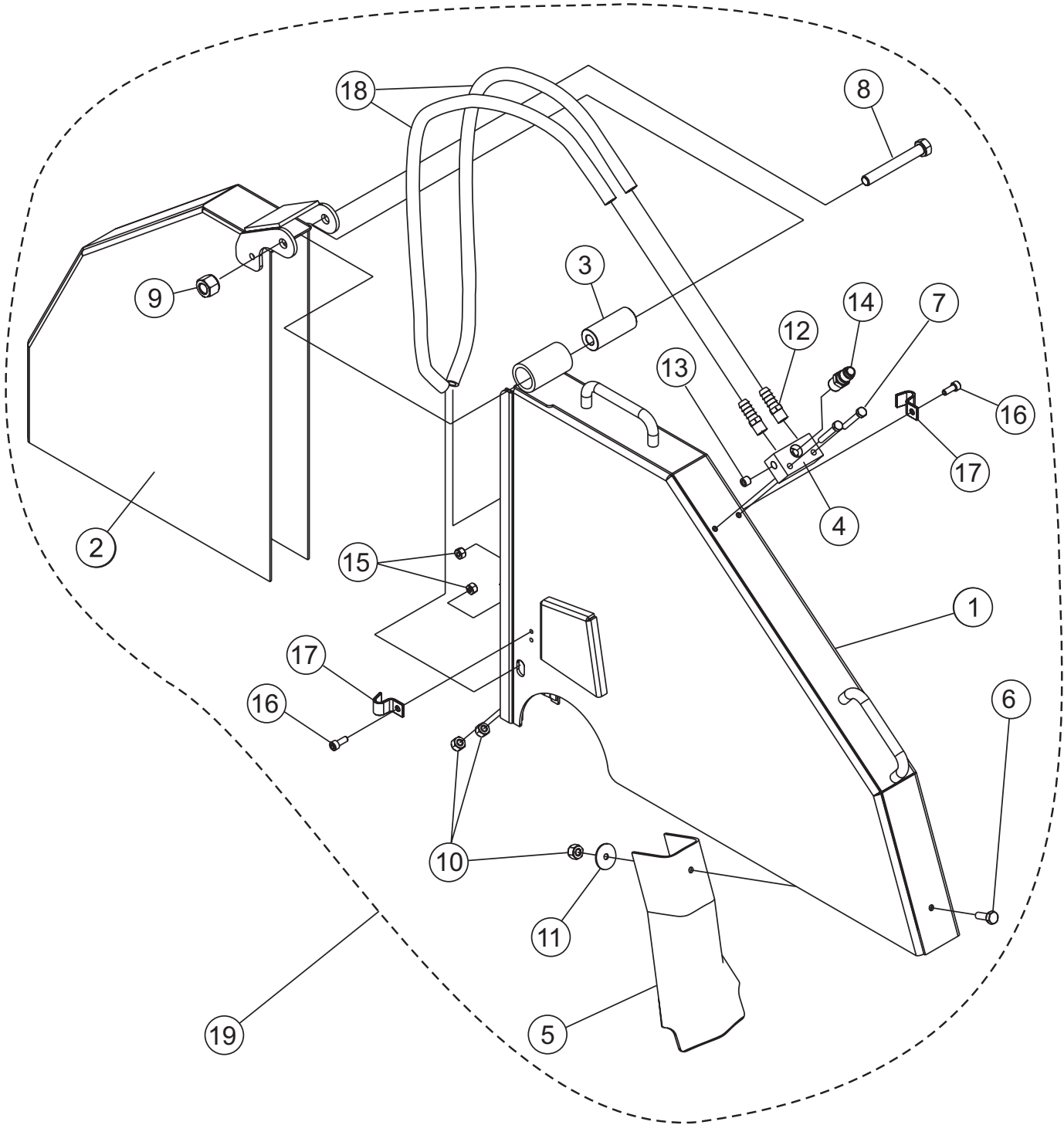
# 16", 20", 26" BLADE GUARD ASSY.

16", 20", 26" BLADE GUARD ASSY.

<u>NO.</u>	<u>PART NO.</u>	<u>PART NAME</u>	<u>QTY.</u>	<u>REMARKS</u>
1*	200004	BLADEGUARD W/A, 16" REAR HALF	1	
1#	200008	BLADEGUARD W/A, 20" REAR HALF	1	
1\$	200010	BLADEGUARD W/A, 26" REAR HALF	1	
2*	200003	BLADEGUARD W/A, 16" FRONT HALF	1	
2#	200007	BLADEGUARD W/A, 20" FRONT HALF	1	
2\$	200009	BLADEGUARD W/A, 26" FRONT HALF	1	
3*#\$	582040	BUSHING, BLADEGUARD HINGE DELRIN	1	
4*#\$	200019	FLAP, MUD BLADEGUARD .....	1	SAFETY ITEM
5*#\$	37394	MANIFOLD, WATER SMALL	1	
6*#\$	2113	FITTING, PLUG 1/8MP HEX SKT HD	1	
7*#\$	370456	FITTING, BRASS 6BARB-1/4MP	2	
8*#\$	10176	NUT, NYLOC 1/2-13	1	
9*#\$	10024	NUT, NYLOC 1/4-20	3	
10*#\$	0131 A	SCREW, HHC 1/4 - 20 X 3/4	1	
11*#\$	06503-026	SCREW, HHC 1/2 - 13 X 3-1/4	1	
12*#\$	26250	SCREW, HHC 1/4 - 20 X 1-3/4	2	
13*#\$	10930	WASHER, FENDER 1/4 X 1-1/4	1	
14*#\$	37396	3/8" QC MALE	1	
15*#	37506	HOSE, WATER #6 LP, 16", 20" BLADEGUARD	2	
15\$	37508	HOSE, WATER #6 LP, 26" BLADEGUARD	2	
16*#\$	22129-001	PIPE STRAP 3/8	2	
17*#\$	1618	NUT, NYLOC 10-24	2	
18*#\$	923144	SCREW, SHC 10-24 X 1/2	2	
19	37335	BLADEGUARD ASSY., 16" STD SYS .....	1	SAFETY ITEM ..... INCLUDES ITEMS W/*
19	37336	BLADEGUARD ASSY., 20" STD SYS .....	1	SAFETY ITEM ..... INCLUDES ITEMS W/#
19	37337	BLADEGUARD ASSY., 26" STD SYS .....	1	SAFETY ITEM ..... INCLUDES ITEMS W/\$

# 30" BLADE GUARD ASSY.

30" BLADE GUARD ASSY.



# 30" BLADE GUARD ASSY.

## 30" BLADE GUARD ASSY.

<u>NO.</u>	<u>PART NO.</u>	<u>PART NAME</u>	<u>QTY.</u>	<u>REMARKS</u>
1#	200012	BLADEGUARD W/A, 30" REAR HALF	1	
2#	200011	BLADEGUARD W/A, 30" FRONT HALF	1	
3#	582039	BUSHING, BLADEGUARD HINGE DELRIN	1	
4#	37395	MANIFOLD, WATER LARGE	1	
5#	200019	FLAP, MUD BLADEGUARD .....	1	SAFETY ITEM
6#	0131 A	SCREW, HHC 1/4 - 20 X 3/4	1	
7#	26250	SCREW, HHC 1/4 - 20 X 1-3/4	2	
8#	06503-030	SCREW, HHC 1/2 - 13 X 3-3/4	1	
9#	10176	NUT, NYLOC 1/2-13	1	
10#	10024	NUT, NYLOC 1/4-20	3	
11#	10930	WASHER, FENDER 1/4 X 1-1/4	1	
12#	370456	FITTING, BRASS 6BARB-1/4MP	2	
13#	2113	FITTING, PLUG 1/8MP HEX SKT HD	1	
14#	37396	3/8" QC MALE	1	
15#	1618	NUT, NYLOC 10-24	2	
16#	923144	SCREW, SHC 10-24 X 1/2	2	
17#	22129-001	PIPE STRAP 3/8	2	
18#	37509	HOSE, WATER #6 LP, 30" BLADEGUARD	2	
19	37338	BLADEGUARD ASSY., 30" STD SYS .....	1	SAFETY ITEM
		.....		INCLUDES ITEMS W/#

# STOW

A DIVISION OF MULTIQUIP INC.

## Terms and Conditions of Sale STOW Construction Equipment

### PAYMENT TERMS

Terms of payment for unit sales are 2% 15 days net 30 days from date of invoice unless otherwise specifically stated on our invoice. Parts invoices have terms of net 10 days.

#### Minimum parts billing is \$15.00 net.

Applicable discounts will be computed on merchandise value only. Late charges will be assessed at prevailing rates. Cash discounts cannot be taken on current billings if any previously billed amounts are past due.

### FREIGHT POLICY

Freight policy is established to offer customers every advantage possible. Due to bulk freight ratings on some equipment and other shipping considerations, freight policies differ by equipment type. Actual back freight may be charged for shipments originating from other than specified FOB warehouses. **See Freight Policy for details.**

All STOW domestic sales are FOB nearest available designated MQ/STOW warehouse. Export orders are ex-works factory located in Carson, CA or Boise, ID.

Additions to orders already shipped cannot be accepted for freight minimums.

Should STOW elect to make partial shipments of an order originally complying with the "freight allowed" requirements, transportation charges will be absorbed by STOW on any subsequent shipment applying to that order.

All other orders will be shipped collect or prepaid with charges added to the invoice. STOW's responsibility ceases when a signed manifest has been obtained from the carrier, and any claim for shortage or damage must be settled between the consignee and the carrier.

**Parts:** FOB Carson, California or Boise, Idaho. **See Freight Policy for details and additional discounts.**

### DROP SHIPMENTS

STOW reserves the right to refuse Drop Shipments outside the normal service area of the purchasing dealer.

### FIELD WAREHOUSES

Field Warehouses are currently located in California, Georgia, Idaho, Iowa, and New Jersey

### SPECIAL EXPEDITING SERVICE

The higher of a \$35.00 surcharge or actual costs will be added to the invoice for special handling, including bus shipments, or in cases where STOW personnel must personally deliver the equipment or parts to the carrier.

### RETURNED GOODS POLICY

Return shipments may be accepted and credit allowed, subject to the following provisions.

1. A Returned Material Authorization (RMA) must be approved by STOW prior to shipment. Approvals for returned goods must be with just cause and are at the sole discretion of STOW. A copy of the Authorization must accompany the shipment to the designated Warehouse.
2. Parts being returned must be listed as currently supplied on the current parts list.
3. Parts must be in new and resalable condition in the original package, with part numbers clearly marked.
4. Units and accessories must be current models in the latest price list and in new and resalable condition.
5. Special order items are not returnable for credit.
6. Credit on returned parts and units will be issued at actual dealer net price at time of purchase less 15% restocking charge.
7. All returned shipments are to be made to the STOW designated receiving point, freight prepaid at the sender's expense.

The sender will be notified of any material received that does not meet the above provisions. Such material will be held for 30 days from notification pending instructions. If a reply is not received within 30 days, the material will be returned to the sender at his expense with no credit issued.

### PRICING, REBATES AND SPECIFICATIONS

Every effort will be made to provide adequate notice of changes; however, prices and equipment specifications are subject to change without notice.

Price changes are effective on a specific date and all orders received on or after that date will be billed at the revised price.

Rebates for price reductions and added charges for price increases will not be made for stock in dealer inventory at the time of a price change.

STOW reserves the right to quote and sell direct to Government agencies and to Original Equipment Manufacturer accounts who use our products as integral parts of their own products.

### LIMITATION OF SELLER'S LIABILITY

STOW shall not be liable hereunder for damages in excess of the purchase price of the item with respect to which damages are claimed and in no event shall STOW be liable for loss of profit or good will or for any other special, consequential or incidental damages.

### LIMITATION OF WARRANTIES

There are no warranties, express or implied, made by STOW hereunder on Products manufactured or distributed by it except the warranty against defects in material and workmanship on new Products to the original purchaser, as set forth in the STOW New Product Limited Warranty.

Effective: July 15, 2003

# STOW

A DIVISION OF MULTIQUIP INC.

Atlanta • Boise • Newark • Quebec, Canada  
Manchester, UK • Rio de Janeiro, BR • Puebla, MX

### STOW CONSTRUCTION EQUIPMENT

POST OFFICE BOX 6254  
CARSON, CALIFORNIA 90749  
310-661-4242 • 877-BUY-STOW  
FAX: 310-604-9237  
E-MAIL: stow@stowmfg.com  
www.stowmfg.com





# PARTS MANUAL

## **HERE'S HOW TO GET HELP**

PLEASE HAVE THE MODEL AND SERIAL NUMBER *ON-HAND* WHEN CALLING

### **PARTS DEPARTMENT**

800-427-1244      FAX: 800-672-7877

310-537-3700      FAX: 310-637-3284

### **SERVICE DEPARTMENT**

800-478-1244      FAX: 310-537-4259

310-537-3700

### **TECHNICAL ASSISTANCE**

800-478-1244      FAX: 310-631-5032

### **WARRANTY DEPARTMENT**

800-421-1244, EXT. 279      FAX: 310-537-1173

310-537-3700, EXT. 279

### **SALES DEPARTMENT**

310-661-4242      FAX: 310-604-9237

877-289-7869 (877-BUY-STOW)

© COPYRIGHT 2008, MULTIQUIP INC.

Multiquip Inc, and the STOW logo are registered trademarks of Multiquip Inc. and may not be used, reproduced, or altered without written permission. All other trademarks are the property of their respective owners and used with permission.

This manual **MUST** accompany the equipment at all times. This manual is considered a permanent part of the equipment and should remain with the unit if resold.

The information and specifications included in this publication were in effect at the time of approval for printing. Illustrations, descriptions, references and technical data contained in this manual are for guidance only and may not be considered as binding. Multiquip Inc. reserves the right to discontinue or change specifications, design or the information published in this publication at any time without notice and without incurring any obligations.

Your Local Dealer is:

# STOW

A DIVISION OF MULTIQUIP INC.  
Atlanta • Boise • Newark • Quebec, Canada  
Manchester, UK • Rio de Janeiro, BR • Puebla, MX

### **MQ STOW CONSTRUCTION EQUIPMENT**

A DIVISION OF MULTIQUIP INC.

POST OFFICE BOX 6254

CARSON, CA 90749

310-537-3700 • 888-252-MQ STOW [888-252-7869]

FAX: 310-537-1986 • FAX: 800-556-1986

E-MAIL: MQ STOW@multiquip.com • WWW:

stowmfg.com