

OPERATION AND PARTS MANUAL

STOW

A DIVISION OF MULTIQUIP INC.

CUTTER 3 CE

SLAB SAWS

13HP & 20HP

HONDA GASOLINE ENGINES

CC8CE13H20, CS8CE13H20,

CS8CE20H20

Revision #5 (09/22/06)

**THIS MANUAL MUST ACCOMPANY
THE EQUIPMENT AT ALL TIMES.**

HERE'S HOW TO GET HELP

STOW PRODUCT SUPPORT PROVIDED BY MULTIQUIP

PLEASE HAVE THE MODEL AND SERIAL
NUMBER *ON-HAND* WHEN CALLING

UNITED STATES

MULTIQUIP CORPORATE OFFICE

18910 Wilmington Ave.
Carson, CA 90746
Contact: mq@multiquip.com

Tel. (800)-421-1244
Fax (310)-537-3927

MEXICO

MQ CIPSA

Carr. Fed. Mexico-Puebla KM 126.5
Momoxpan, Cholula, Puebla 72760 Mexico
Contact: pmastretta@cipsa.com.mx

Tel. (52) 222-225-9900
Fax (52) 222-285-0420

UNITED KINGDOM

MULTIQUIP (UK) LIMITED HEAD OFFICE

Hanover Mill, Fitzroy Street,
Ashton-under-Lyne,
Lancashire OL7 0TL
Contact: sales@multiquip.co.uk

Tel. 0161 339 2223
Fax 0161 339 3226

CANADA

MULTIQUIP

4110 Industriel Boul.
Laval, Quebec, Canada H7L 6V3
Contact: jmartin@multiquip.com

Tel. (450) 625-2244
Fax (450) 625-8664

BRAZIL

MULTIQUIP

Av. Evandro Lins e Silva, 840 - grupo 505
Barra de Tijuca - Rio de Janeiro
RJ CEP 22631-470
Contact: cnavarro@multiquip.com.br, srentes@multiquip.com.br

Tel. 011-55-21-3433-9055
Fax 011-55-21-3433-9055

© COPYRIGHT 2006, MULTIQUIP INC.

Multiquip Inc, the MQ logo and the Stow logo are registered trademarks of Multiquip Inc. and may not be used, reproduced, or altered without written permission. All other trademarks are the property of thier respective owners and used with permission.

This manual **MUST** accompany the equipment at all times. This manual is considered a permanent part of the equipment and should remain with the unit if resold.

The information and specifications included in this publication were in effect at the time of approval for printing. Illustrations are based on the *Cutter 3 (CE)*. Multiquip Inc. reserves the right to discontinue or change specifications, design or the information published in this publication at any time without notice and without incurring any obligations.

**To find the latest revision of this
publication, visit our website at:
www.multiquip.com**



STOW CUTTER 3 CE SAW — TABLE OF CONTENTS

STOW CUTTER 3 SLAB SAW

| | |
|--|-------|
| Here's How To Get Help | 2 |
| Table Of Contents | 3 |
| Specifications | 4-5 |
| Dimensions | 6 |
| Safety Message Alert Symbols | 7-8 |
| Rules for Safe Operation | 9-11 |
| Decals | 12 |
| General Information | 13 |
| Major Components | 14 |
| 13 HP Engine Components | 15 |
| 20 HP Engine Components | 16 |
| Inspection | 17-19 |
| Inspection Blade | 20 |
| Inspection Blade Placement | 21-22 |
| Inspection-Guards, Covers, and V-Belts | 23 |
| Inspection-V-Belts and Water Tank | 24 |
| Inspection - Adjustments | 25 |
| Manual Start-up Procedure | 26-28 |
| Electric Start-up Procedure | 29-30 |
| Operation | 31-34 |
| Shutdown Procedures | 35 |
| Maintenance | 36-41 |
| 13HP Engine Wiring Diagram | 42 |
| 20HP Engine Wiring Diagram | 43 |
| Troubleshooting (Engine) | 44-45 |
| Troubleshooting (Blade) | 46 |
| Explanation Of Codes In Remarks Column | 47 |
| Suggested Spare Parts | 49 |

COMPONENT DRAWINGS

| | |
|--|-------|
| Nameplate and Decals | 50-51 |
| Under Carriage Assembly | 52-53 |
| Blade Shaft Assembly | 54-55 |
| Lifting Bale Assembly | 56-57 |
| Console (Push) Assembly | 58-59 |
| Console (Self-propelled) Assembly | 60-61 |
| 13 HP Engine Mount Assembly | 62-63 |
| 20 HP Engine Mount Assembly | 64-65 |
| 13 HP Engine Assembly | 66-67 |
| 20 HP Engine Assembly | 68-69 |
| Pointers And Covers | 70-71 |
| Water System Assembly | 72-73 |
| Blade Guard Assembly | 74-75 |
| Manual Raise and Lower Assy. (20 inch) | 76-77 |

SELF-PROPELLED MODELS ONLY

| | |
|--|-------|
| Battery Assembly | 78-79 |
| Transmission Engage Lever Assembly | 80-81 |
| Hydrostatic Transmission Assembly | 82-83 |
| Hydrostatic Drive Assembly | 84-85 |

HONDA GX390K1QWT2

GASOLINE ENGINE

| | |
|--------------------------------|---------|
| Air Cleaner Assembly | 86-87 |
| Camshaft Assembly | 88-89 |
| Carburetor Assembly | 90-91 |
| Control Assembly | 92-93 |
| Crankcase Cover Assembly | 94-95 |
| Crankshaft Assembly | 96-97 |
| Cylinder Barrel Assembly | 98-99 |
| Cylinder Head Assembly | 100-101 |
| Fan Cover Assembly | 102-103 |
| Flywheel Assembly | 104-105 |
| Fuel Tank Assembly | 106-107 |
| Ignition Coil Assembly | 108-109 |
| Muffler Assembly | 110-111 |
| Piston Assembly | 112-113 |
| Recoil Starter Assembly | 114-115 |
| Labels | 116-117 |

HONDA GX620TXF2

GASOLINE ENGINE

| | |
|--------------------------------|---------|
| Air Cleaner Assembly | 118-119 |
| Camshaft Assembly | 120-121 |
| Control Assembly | 122-123 |
| Control Box | 124-125 |
| Crankcase Cover Assembly | 126-127 |
| Crankshaft Assembly | 128-129 |
| Cylinder Barrel Assembly | 130-131 |
| Cylinder Head Assembly | 132-133 |
| Fan Cover Assembly | 134-135 |
| Flywheel Assembly | 136-137 |
| Ignition Coil Assembly | 138-139 |
| Muffler Assembly | 140-141 |
| Piston Assembly | 142-143 |
| Fuel Tank Assembly | 144-145 |
| Fuel Pump | 146-147 |
| Carburetor Assembly | 148-149 |
| Starter Motor Assembly | 150-151 |
| Gasket Kit Assembly | 152-153 |
| Labels | 154-155 |

| | |
|--|-----|
| Terms and Conditions of Sale — Parts | 156 |
|--|-----|

STOW CUTTER 3 CE SAW — SPECIFICATIONS

TABLE 1. SAW SPECIFICATIONS

| | Cutter 3 (Push) | Cutter 3 (Self-Propelled) | |
|--|--|----------------------------------|--|
| Saw | CC8CE13H20 | CS8CE13H20 | CS8CE20H20 |
| Blade Capacity | 508 mm (20 in.) | | |
| Cutting Depth | 191 mm (7.5 in.) | | |
| Arbor Diameter | 19.1 mm (.75 in.) | | |
| Front Wheels | 125 mm Dia. x 50 mm Wide (5 in. x 2 in.) | | |
| Rear Wheels | 203 mm Dia. x 50 mm Wide (8 in. x 2 in.) | | |
| Nominal Mass* | 141 kg (310 lbs.) | 162 kg (356 lbs.) | 173 kg (380 lbs.) |
| Maximum Operating Mass** | 170 kg (373 lbs.) | 190 kg (418 lbs.) | 201 kg (443 lbs.) |
| Sound Pressure at Operator's Position | 96 dB | 88.8 dB | |
| Hand/Arm Vibration (At Handle)*** | 9.81 ms ⁻² | 5.61 ms ⁻² | |
| Engine | Honda 13HP GX390K1QWT2 Gasoline Engine | | Honda 20HP GX620TXF2 Gasoline Engine |

* **Nominal Mass:** Mass without blade, all fluid tanks empty, any optional parts removed.

** **Maximum Operating Mass:** Includes blade, all fluid tanks full, any necessary components installed.

*** **Hand/Arm Vibration (at handle)** results with Cutter 3 CE Saw cutting cured concrete at a depth of 38.1mm (1-1/2") with a 508mm (20") blade at FULL THROTTLE.

STOW CUTTER 3 CE SAW — ENGINE SPECIFICATIONS

TABLE 2. ENGINE SPECIFICATIONS

| Engine Model | Honda GX390K1QWT2 | Honda GX620TXF2 |
|---------------------------|---|--|
| Engine Type | Air-cooled 4-Stroke Single Cylinder OHV Horizontal Shaft Engine | Air-cooled 4-Stroke OHV 90° V-Twin; Horizontal Shaft |
| Bore x Stroke | 88 mm x 64 mm (3.5 in. x 2.5 in.) | 77 x 66 mm (3.0 x 2.6 in) |
| Displacement | 389 cc. (23.7 cu. in.) | 614 cc. (37.4 cu. in.) |
| Maximum Power Output | 13 HP / 3,600 rpm | 20 HP / 3,600 rpm |
| Maximum Torque | 2.7 kg-m (2,500 rpm) 19.5 ft-lbs (2,500 rpm) | 4.50 kgf-m (2,500 rpm) 32.5 ft-lbs (2,500 rpm) |
| Idle Speed | 1,400 ± 150 rpm | 1,400 ± 150 rpm |
| Maximum No Load RPM | 3,600 ± 100 rpm | 3,600 ± 100 rpm |
| Specific Fuel Consumption | 20.81 liters/hr. (1 gal./hr.) | 5.82/liters/hr. (1.54 gals./hr.) |
| Fuel Tank Capacity | 6.5 liters (1.72 gallons) | 8.32 liters (2.20 gallons) |
| Crankcase Oil Capacity | 1.1 liters (2.32 pints) | 1.50 liters (3.18 pints) |
| Starting System | Recoil Start | Electric Start |
| Spark Plug Gap | 0.70 - 0.78 mm (.028 - .031 in.) | 0.70 - 0.78 mm (.028 - .031 in.) |
| Air Cleaner | Cyclone Type | Dual Element |
| Dry Weight | 31 kg (68.4 lbs.) | 42 kg (92.6 lbs) |
| Dimensions (LxWxH) | 380 x 450 x 443 mm (15.0 x 17.7 x 17.4 in.) | 388 x 457 x 452 mm (15.3 x 18 x 17.8 in.) |

STOW CUTTER 3 CE SAW — DIMENSIONS

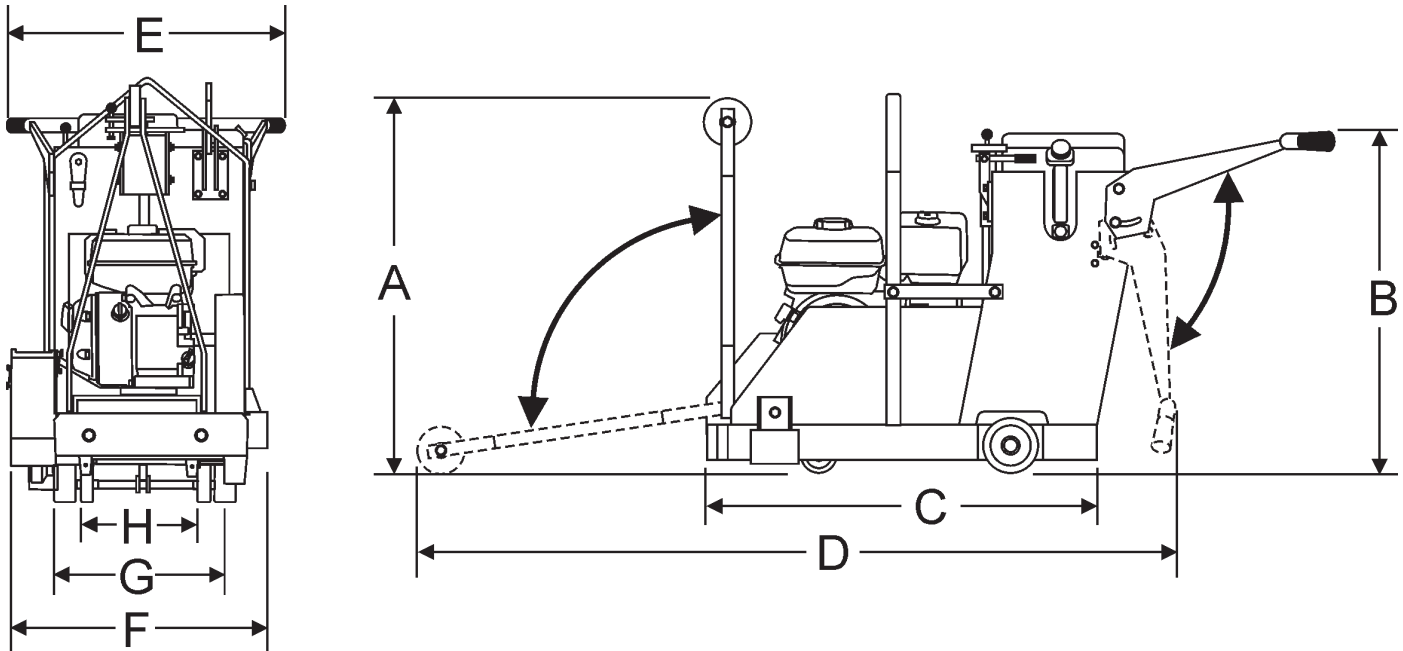


Figure 1. CUTTER 3 Dimensions

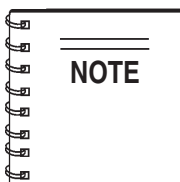
TABLE 3. DIMENSIONS

| REFERENCE LETTER | DESCRIPTION | DIMENSIONS IN. (MM) |
|--|---|---------------------|
| A | Max Height (Handle Bars fully lowered & Front Pointer raised) | 914 mm. (36 in.) |
| B | Max Handle Bar Height (fully raised) | 1016 mm. (40 in.) |
| C | Max Length (Handle Bars & Front Pointer fully raised) | 1092 mm. (43 in.) |
| D | Max Length (Handle Bars fully raised & Front Pointer lowered) | 1727 mm. (68 in.) |
| E | Max Handle Bar Width | 610 mm. (24 in.) |
| F | Max Width | 622 mm. (24.5 in.) |
| G | Rear Wheel Base | 406 mm. (16 in.) |
| H | Front Wheel Base | 356 mm. (14 in.) |
| Crated Dimension (L x W x H): 1194 x 762 x 1118 mm (47 x 30 x 44 in.) | | |

STOW CUTTER 3 CE SAW — SAFETY MESSAGE ALERT SYMBOLS

FOR YOUR SAFETY AND THE SAFETY OF OTHERS!

Safety precautions should be followed at all times when operating this equipment. Failure to read and understand the Safety Messages and Operating Instructions could result in injury to yourself and others.



This Owner's Manual has been developed to provide complete instructions for the safe and efficient operation of the Stow Cutter 3 CE Series Slab Saws. Depending on the power plant you have selected, please

refer to the engine manufacturers instructions for data relative to its safe operations.

Before using any of the Stow Cutter 3 Saws, ensure that the operating individual has read and understands all instructions in this manual.

SAFETY MESSAGE ALERT SYMBOLS

The three (3) Safety Messages shown below will inform you about potential hazards that could injure you or others. The Safety Messages specifically address the level of exposure to the operator, and are preceded by one of three words: **DANGER**, **WARNING**, or **CAUTION**.

DANGER

You **WILL** be **KILLED** or **SERIOUSLY INJURED** if you **DO NOT** follow these directions.

WARNING

You **CAN** be **KILLED** or **SERIOUSLY INJURED** if you **DO NOT** follow these directions.

CAUTION

You **CAN** be **INJURED** if you **DO NOT** follow these directions.

Potential hazards associated with Stow Cutter 3 Series Slab Saw operation will be referenced with Hazard Symbols which appear throughout this manual, and will be referenced in conjunction with Safety Message Alert Symbols.

HAZARD SYMBOLS



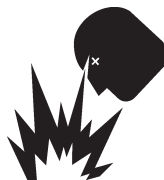
Lethal Exhaust Gases



Engine exhaust gases contain poisonous carbon monoxide. This gas is colorless and odorless, and can cause death if inhaled. **NEVER** operate this equipment in a confined area or enclosed structure that does not provide ample free flow air.



Explosive Fuel



Gasoline is extremely flammable, and its vapors can cause an explosion if ignited. **DO NOT** start the engine near spilled fuel or combustible fluids. **DO NOT** fill the fuel tank while the engine is running or hot. **DO NOT** overfill tank, since spilled fuel could ignite if it comes into contact with hot engine parts or sparks from the ignition system. Store fuel in approved containers, in well-ventilated areas and away from sparks and flames. **NEVER** use fuel as a cleaning agent.



Burn Hazards



Engine components can generate extreme heat. To prevent burns, **DO NOT** touch these areas while the engine is running or immediately after operations. **NEVER** operate the engine with heat shields or heat guards removed.



Rotating Parts



NEVER operate equipment with covers, or guards removed. Keep fingers, hands, hair and clothing away from all moving parts to prevent injury.

STOW CUTTER 3 CE SAW — SAFETY MESSAGE ALERT SYMBOLS



Accidental Starting



OFF **ALWAYS** place the **ON/OFF** switch in the **OFF** position, remove key and/or disconnect the spark plug lead before servicing the engine or equipment. Ground the lead to prevent sparks that could ignite a fire.



Respiratory Hazard



ALWAYS wear approved respiratory protection.



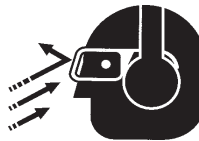
Over Speed Conditions



NEVER tamper with the factory settings of the engine governor or settings. Personal injury and damage to the engine or equipment can result if operating in speed ranges above maximum allowable.



Sight and Hearing hazard



ALWAYS wear approved eye and hearing protection.



Guards and Covers In Place



NEVER operate the saw without blade guards and covers in place. Adhere to safety guidelines ANSI American National Standards Institute, OSHA or other applicable local regulations.



Equipment Damage Messages

Other important messages are provided throughout this manual to help prevent damage to your slab saw, other property, or the surrounding environment.



CAUTION

This concret/asphalt saw, other property, or the surrounding environment could be damaged if you do not follow instructions.



WARNING

To avoid injuries and damage to the equipment, **ALWAYS** read and understand the contents of operation manual before operating equipment.

| | |
|--|--|
| | WARNING |
| | <p>To avoid injury, you MUST read and understand operator's manual before using this machine.</p> |
| | <p>This machine to be operated by qualified personnel only. Ask for training as needed.</p> |

STOW CUTTER 3 CE SAW — RULES FOR SAFE OPERATION


RULES FOR SAFE OPERATION

CAUTION


Failure to follow instructions in this manual may lead to serious injury or even death! This equipment is to be operated by trained and qualified personnel only! This equipment is for industrial use only.

The following safety guidelines should always be used when operating the Stow Cutter 3 Saw.

SAFETY

- **DO NOT** operate or service this equipment before reading this entire manual. The manual must be kept accessible to the operator. 
- This equipment should not be operated by persons under the minimum statutory age limit.
- **NEVER** operate the saw without proper protective clothing, shatterproof glasses, steel-toed boots and other protective devices required by the job.

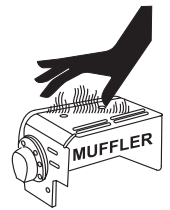


- **NEVER** operate this equipment when not feeling well due to fatigue, illness or taking medicine. 
- **NEVER** operate the saw under the influence of drugs or alcohol.

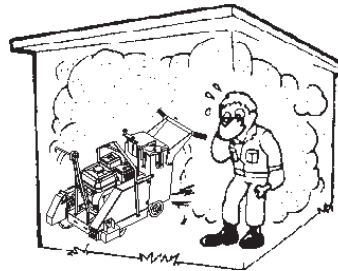


- **NEVER** use accessories or attachments, which are not recommended by or Multiquip for this equipment. Damage to the equipment and/or injury to user may result.
- Manufacturer does not assume responsibility for any accident due to equipment modifications. Unauthorized equipment modification will void all warranties.
- Whenever necessary, replace nameplate, operation and safety decals when they become difficult to read.
- **ALWAYS** check the saw for loosened hardware such as nuts and bolts before starting.

- **NEVER** touch the hot exhaust manifold, muffler or cylinder. Allow these parts to cool before servicing the saw.



- **High Temperatures** – Allow the engine to cool before adding fuel or performing service and maintenance functions. Contact with **hot!** components can cause serious burns.
- The engine of this saw requires an adequate free flow of cooling air. **NEVER** operate the saw in any enclosed or narrow area where free flow of the air is restricted. If the air flow is restricted it will cause serious damage to the saw's engine and may cause injury to people. Remember the saw's engine gives off **DEADLY** carbon monoxide gas.



- **ALWAYS** refuel in a well-ventilated area, away from sparks and open flames.

- **ALWAYS** use extreme caution when working with **flammable** liquids. When refueling, **STOP** the engine and allow it to cool.



- **NEVER** smoke around or near the machine. Fire or explosion could result from **fuel vapors**, or if fuel is spilled on a **hot!** engine.



- **NEVER** operate the saw in an explosive atmosphere where fumes are present or near combustible materials. An explosion or fire could result causing severe **bodily harm or even death**.
- Topping-off to filler port is dangerous, as it tends to spill fuel.
- **NEVER** use fuel as a cleaning agent.

STOW CUTTER 3 CE SAW — RULES FOR SAFE OPERATION

General Safety

- **ALWAYS** read, understand, and follow procedures in Operator's Manual before attempting to operate equipment.
- **ALWAYS** be sure the operator is familiar with proper safety precautions and operating techniques before using the saw.
- **NEVER** leave the machine *unattended* while running.
- Block the unit when leaving or when using on a slope.
- **ALWAYS** check to make sure that the operating area is clear before starting the engine.
- Maintain this equipment in a safe operating condition at all times.
- **ALWAYS** stop the engine before servicing, adding fuel and oil.
- **NEVER** run the engine without the air filter. Severe engine damage could occur.
- **ALWAYS** service air cleaner frequently to prevent carburetor malfunction.
- **AVOID** wearing jewelry or loose fitting clothing that may snag on the controls or moving parts, this can cause a serious injury.
- **ALWAYS** keep clear of *rotating* or *moving parts* while the saw is in operation.
- **ALWAYS** store equipment properly when it is not being used. Equipment should be stored in a clean, dry location out of the reach of children.
- **ALWAYS** keep the work area well organized.
- **ALWAYS** clear the cutting area of any debris, tools, etc. that would constitute a hazard while the saw is in operation.

WARNING

ALWAYS check to make sure that the operating area is clear before starting the engine.



- No one other than the operator is to be in the working area when the saw is in operation.
- Always observe all applicable compulsory regulations relevant to environmental protection, especially, fuel storage, the handling of hazardous substances, and the wearing of protective clothing and equipment. Instruct the user as necessary, or, as the user, request this information and training.

Diamond Blade Safety

- Use appropriate steel centered diamond blades manufactured for use on slab saws.
- Examine blade flanges for damage and excessive wear.
- Ensure the cleanliness of the blade before blade is installed. Blade should fit snugly on the shaft and against the inside/outside blade flanges.
- Ensure the blade is marked with an operating speed greater than the blade shaft speed of the saw.

WARNING

ALWAYS inspect diamond blades before each use. The blade should exhibit no cracks, dings, or flaws in the steel centered core and/or rim. Center (arbor) hole must be undamaged and true.



WARNING

Only cut the material that is specified for the diamond blade. Read the specifications of the diamond blade to ensure the proper tool has been matched to the material being cut. The saw has been engineered for **WET CUTTING**. Ensure a **WET CUTTING** blade is being used and that the water supply system to the blade is properly functioning and being used.

- **ALWAYS** keep blade guards in place. Exposure of the diamond blade must not exceed 180 degrees.
- Ensure that the diamond blade does not come into contact with the ground or surface during transportation. **DO NOT** drop the diamond blade on ground or surface.
- The engine governor is designed to permit maximum engine speed in a no-load condition. Speeds that exceed this limit may cause the diamond blade to exceed the maximum safe allowable speed.
- Ensure that the blade is mounted for proper operating direction.
- Adhere to the Blade Manufacturer's recommendations on handling, storage, and safe usage of blades.

STOW CUTTER 3 CE SAW — RULES FOR SAFE OPERATION

Maintenance Safety

- **NEVER** lubricate components or attempt service on a running machine.
- **ALWAYS** allow the machine a proper amount of time to cool before servicing.
- Keep the machinery in proper running condition.
- Fix damage to the machine immediately and **ALWAYS** replace broken parts.
- Dispose of hazardous waste properly. Examples of potentially hazardous waste are used motor oil, fuel and fuel filters.
- **DO NOT** use food or plastic containers to dispose of hazardous waste.

Saw Transportation Safety

- Use appropriate lifting equipment to ensure the safe movement of the saw.
- **DO NOT** use the handle bars and/or front pointer as lifting points.
- When transporting of the saw is required, place saw directly inside towing vehicle truck-bed and tie-down securely. **NEVER** tow saw directly behind towing vehicle.
- **DO NOT** use the saw on slopes or on extremely un-level surfaces. An engine tipped to extreme angles may cause oil to gravitate into the cylinder head making the engine start difficult.
- **NEVER** transport the saw with the blade mounted.

Emergencies

- **ALWAYS** know the location of the nearest **fire extinguisher**.



- **ALWAYS** know the location of the nearest **first aid kit**.

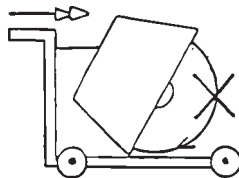


- In emergencies **ALWAYS** know the location of the nearest phone or **keep a phone on the job site**. Also know the phone numbers of the nearest **ambulance, doctor** and **fire department**. This information will be invaluable in the case of an emergency.



WARNING

All displacement of the machine outside the cutting area shall be carried out with the tool not in rotation.



STOW CUTTER 3 CE SAW — DECALS

Machine Safety Decals

The Cutter 3 saws are equipped with a number of safety decals (Figure 2). These decals are provided for operator safety and maintenance information. The illustration below shows these decals as they appear on the slab saws. Should any of these decals become unreadable, replacements can be obtained from you dealer. See the "Nameplate and Decals" section for decal placement.

WARNING

TO PREVENT SERIOUS INJURY

DO NOT OPERATE SAW WITHOUT PROPER TRAINING & FULL UNDERSTANDING OF THE OWNERS MANUAL

WHEN OPERATING THIS MACHINE

KEEP ALL GUARDS IN PLACE

ALWAYS WEAR SAFETY APPROVED

HEARING PROTECTION

EYE OR FACE PROTECTION

HEAD PROTECTION

RESPIRATOR

S.M.I. MASONRY AND CONCRETE SAW MANUFACTURERS INSTITUTE

P/N: 22122-001



P/N 25491



P/N 25678



P/N: 13118



P/N 28853-001

STOW

P/N: 22972-003

STOW

P/N: 22972-005
8.625 LG

STOW

P/N: 22972-004

CUTTER 3

P/N: 23653-003



P/N: 25250-001



P/N: 25249-001



CONTACT PARTS
DEPARTMENT

| | CHECK | LUBRICATE | CLEAN |
|---------------|--|--|--|
| DAILY: | ENGINE OIL | SPINDLE BEARINGS | AIR CLEANER (WHEN CUTTING DRY) |
| OCCASIONALLY: | BELT TENSION HYDROSTATIC TRANSMISSION OIL HYDRAULIC LIFT SYSTEM RESERVOIR (IF SO EQUIPPED) | ALL BEARINGS SUBFRAME PIVOT REAR AXLE JACK SHAFT HANDWHEEL (IF SO EQUIPPED) CLEVIS PINS ROLLER CHAINS FRONT WHEEL BEARINGS LIFT MECHANISM SCREW (IF SO EQUIPPED) | FUEL STRAINERS FILTERS AIR CLEANER WATER PUMP INLET STRAINER COMPLETE MACHINE |

23556-001

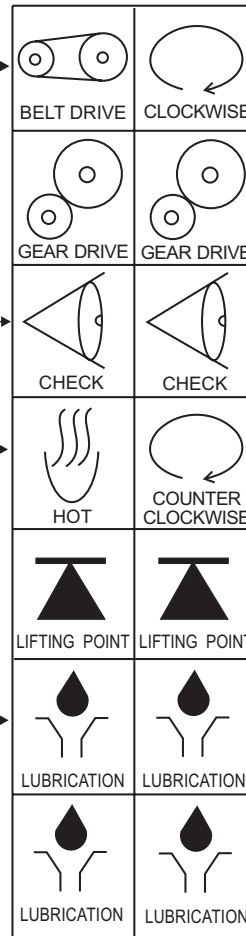
P/N 23596-001



P/N 35137



P/N 23330-001



P/N: 11246



P/N 35166



P/N 35167



P/N 11092



P/N 25867



P/N 36099 (ISO Blue)



P/N 29736

Figure 2. Stow Cutter 3 Saw Decals

STOW CUTTER 3 CE SAW — GENERAL INFORMATION

Familiarization

The Cutter 3 saws are designed for **wet** or **dry** cutting of concrete or asphalt utilizing diamond blades. They have been engineered for general, industrial and high production flat cutting applications. The reinforced steel box frame design adds strength necessary to reduce vibrations while cutting. Minimizing vibrations enhances the performance of the blade and extends the life of the saw.

Heavy-duty front and rear axles, sturdy oversized wheels and industrial undercarriage assembly ensures accurate tracking and years of reliable use.

Additionally, the general weight-to-strength ration design of the frame and chassis assembly provides optimum weight distribution to keep the blade running true in the cut. A rugged blade shaft bearing assembly ensures minimal flutter and shaft harmonics providing the most advantageous condition for a diamond blade at operating speeds.

Power Plants

The Cutter 3 saws are generally classified in the industry as **LOW** to **MEDIUM** horsepower saws. This classification is particularly useful when selecting the proper diamond blade for an application.

There are two gasoline engines used with the Cutter 3 saws: A **13 HP Honda GX390K1QWT2** air-cooled, 4-stroke single cylinder, OVH rated at 3600 RPM and a **20HP Honda GX620TXF2** air-cooled, 4-stroke OVH 90° V-twin rated at 3600 RPM. Blade rotation is v-belt driven. This is accomplished by connecting to the output shaft of the engine to an upper drive pulley. The lower drive pulley (Blade) is then connected to the upper drive pulley (Engine) by three V-belts. As the engine shaft rotates, so does the blade.

Refer to the engines Owner's Manual for the specific instructions regarding engine operation and maintenance practices.

Console

An ergonomically designed control console allows the operator to easily understand and/or operate the adjustable handlebars, **Raise/Lower Crank Handle**, and **transmission engage/disengage lever** (Self-propelled models only). Additionally, for self-propelled models, the console also provides forward/reverse controls.

Manual Raise/Lower System

The Cutter 3 saw uses an ACME thread, manual raise/lower assembly easily raises and lowers the blade and can lock into position to ensure a constant depth when cutting. See Table 7 for blade selection with respect to depth of cut.

Water System

All saws provide a water direction system to provide cooling water to the diamond blade. This system consists of: a standard "garden hose" valve that connects to the water source (via hose) to the saw, an **ON/OFF** console water valve'

The 20-inch blade guard is designed with two 6-inch vinyl water tubes to direct water to the diamond blade.

Under Carriage System

A jig welded heavy steel gauge under carriage assembly supports the saw in tracking, pivoting and stabilization. A rear axle supports two solid rubber cast hub wheels with roller bearings, grease fittings and locking collars. A front axle supports two solid rubber cast hub wheels with roller bearings, grease fittings and locking collars. The assembly pivots about two rocker blocks with bushings.

Blade Drive System

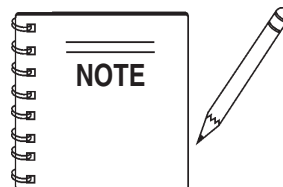
A rugged blade shaft assembly has been specifically designed to support the optimum distribution of torque from the engine shaft to the blade shaft, and to ensure minimal vibratory conditions on the tips of the shaft.

Balanced engine & blade shaft pulleys are connected to their respective shafts, 3 V-belts (13HP, 4 V-belts for 20HP models) connect to the engine pulley to the blade shaft pulley. The blade shaft is supported by two self-aligning pillow block bearings that are uniquely positioned on the most outboard portion of the reinforced frame.

The combination of pulley and blade shaft bearing positioning ensures minimal vibration & flutter to the ends of the blade shaft.

Water System

The Stow Cutter 3 Saw comes standard with a 20-inch hinged two piece, heavy steel gauge blade guard. The blade guard provides access for vinyl water tubes that supply optimum volume and dispersal of water for cooling and/or dust suppression.



All Stow Cutter 3 saws are designed, engineered and manufactured with strict adherence to American National Standards Institute, Inc. (ANSI) guidelines B7.1 and B7.5

STOW CUTTER 3 CE SAW — MAJOR COMPONENTS

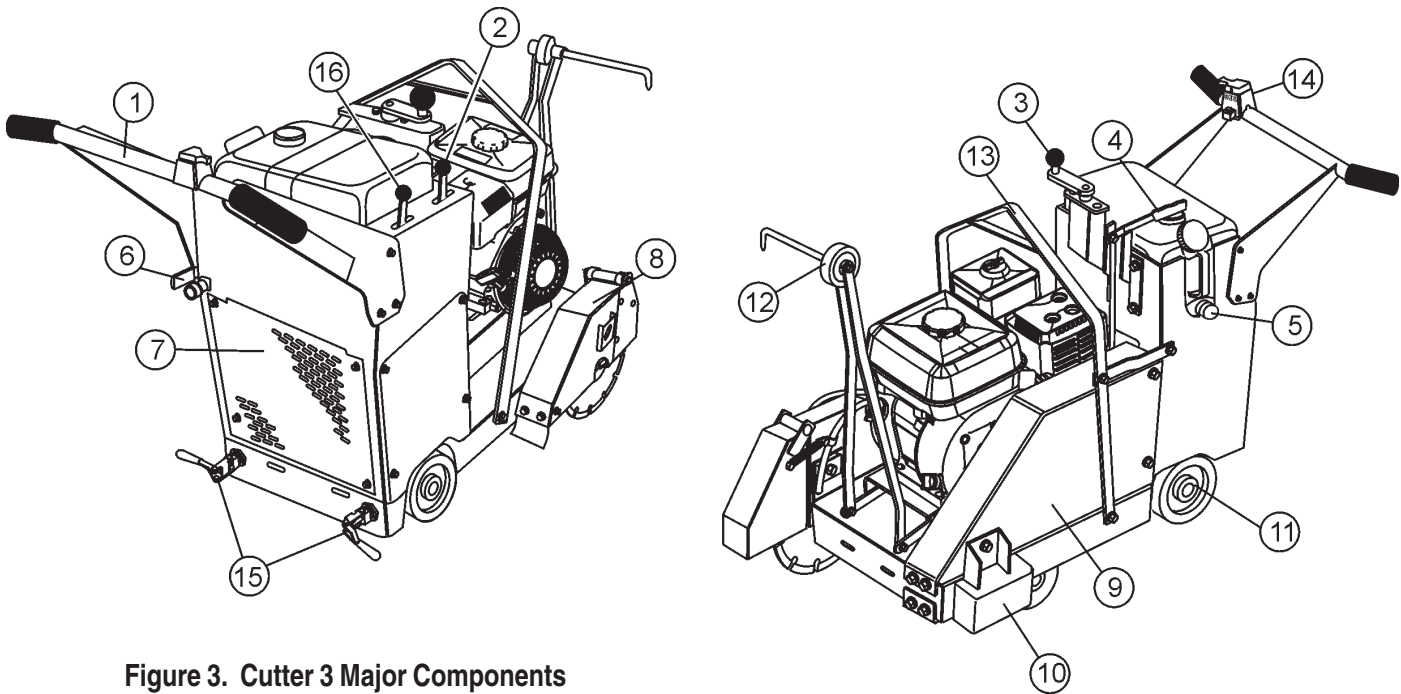


Figure 3. Cutter 3 Major Components

Figure 3 displays the location of the various operational control features of the Cutter 3 Saw. Features are dependent on the specific model saw selected. The function of each console component or indicator is explained below:

1. **Handle Bars** – Used to steer and push the Cutter 3 saw during cutting operations. The handle can be folded down for transportation.
2. **Forward/Reverse Speed Lever** – Controls forward and reverse speeds for self-propelled operation. Provides positive neutral for engine start. **ALWAYS** place transmission engage/disengage lever in the engage position before setting speed lever (self-propelled models only).
3. **Raise/Lower Crank Handle** – Physically orients saw (raises or lowers) depending on cranking direction (CW or CCW). Turning the handle **clockwise** lowers the saw, turning the saw counter-clockwise raises the saw.
4. **Transmission Engage/Disengage Lever** – Forward locking position engages transmission. Rear Locking position disengages transmission from rear axle and permits "free wheeling" (self-propelled models only).
5. **Water Tank** – A 5-gallon capacity water tank provides water for the saw blade during wet cutting applications.
6. **Water ON/OFF Valve** – **ON** position **opens** valve and permits water to flow from source through saw water hose. **OFF** position **closes** valve and halts the flow of water.
7. **Hydraulic Drive Transmission** - Controls the saw's forward and reverse movement by using the **forward/reverse speed lever** (Self-propelled units only).
8. **Saw Blade Guard** – Covers the saw blade during cutting operations & allows water hoses to be connected to the cover for wet cutting.
9. **Belt Cover** – Covers the drive shaft belt, engine pulley and the hydraulic transmission belt (on self-propelled models only).
10. **Drive-Shaft Pulley Guard** – Covers the drive shaft pulley.
11. **Rear Wheels** – Allows the saw to be rolled across ground. On self-propelled models, the rear wheels are turned by the spline gears attached to the hydraulic transmission system.
12. **Pointer Arm** – Front pointer wheel assists in straight tracking. Lifts up for storage and pivots down for use.
13. **Lifting Bale Kit** – Allows for easy lifting and transporting the Cutter 3 Saw.
14. **Engine OFF Switch** – Toggle in either direction to stop the engine.
15. **Wheel Clamp** – Move handle down making contact with wheel to avoid unwanted rolling movement. Lift handle to release.
16. **Throttle Lever** – (self-propelled units only) Used to adjust engine RPM speed (**SLOW** or **FAST**).

STOW CUTTER 3 CE SAW — 13HP HONDA ENGINE COMPONENTS

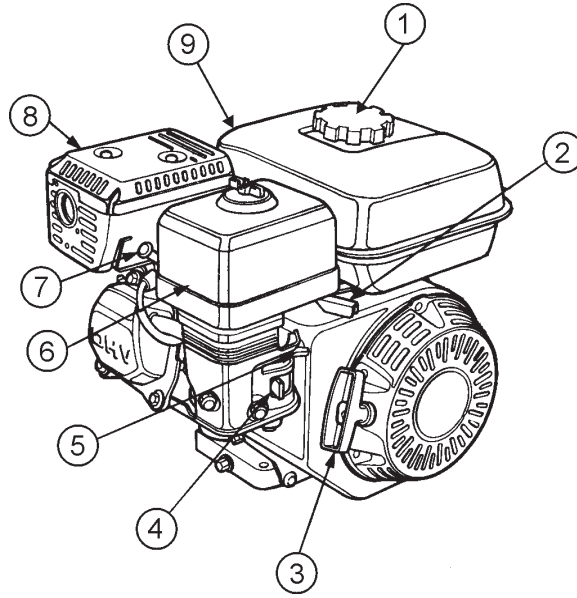


Figure 4. Engine Controls and Components (Honda GX390K1QWT2)

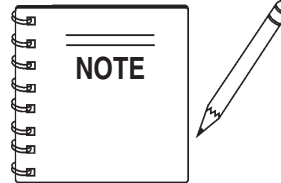
INITIAL SERVICING

The engine (Figure 4) must be checked for proper lubrication and filled with fuel prior to operation. Refer to the manufacturers Engine manual for instructions & details of operation and servicing.

1. **Fuel Filler Cap** – Remove this cap to add unleaded gasoline to the fuel tank. Make sure cap is tightened securely. **DO NOT** over fill.

WARNING

Adding fuel to the tank should be accomplished only when the engine is stopped and has had an opportunity to cool down. In the event of a fuel spill, **DO NOT** attempt to start the engine until the fuel residue has been completely wiped up, and the area surrounding the engine is dry.



Operating the engine without an air filter, with a damaged air filter, or a filter in need of replacement will allow dirt to enter the engine, causing rapid engine wear.

2. **Throttle Lever** – Used to adjust engine RPM speed (lever advanced forward **SLOW**, lever back toward operator **FAST**).
3. **Recoil Starter (pull rope)** – Manual-starting method. Pull the starter grip until resistance is felt, then pull briskly and smoothly.
4. **Fuel Valve Lever** – **OPEN** to let fuel flow, **CLOSE** to stop the flow of fuel.
5. **Choke Lever** – Used in the starting of a cold engine, or in cold weather conditions. The choke enriches the fuel mixture.
6. **Air Cleaner** – Prevents dirt and other debris from entering the fuel system. Remove wing-nut on top of air filter cannister to gain access to filter element.

7. **Spark Plug** – Provides spark to the ignition system. Set spark plug gap (HONDA) to 0.6 - 0.7 mm (0.028 - 0.031 inch). Clean spark plug once a week.
8. **Muffler** – Used to reduce noise and emissions. Engine components can generate extreme heat. To prevent burns, **DO NOT** touch these areas while the engine is running or immediately after operating. **NEVER** operate the engine with the muffler removed.

WARNING

Engine components can generate extreme heat. To prevent burns, **DO NOT** touch these areas while the engine is running or immediately after operating. **NEVER** operate the engine with the muffler removed.



9. **Fuel Tank** – Holds unleaded gasoline. For additional information refer to engine owner's manual.

STOW CUTTER 3 CE SAW — 20HP HONDA ENGINE COMPONENTS

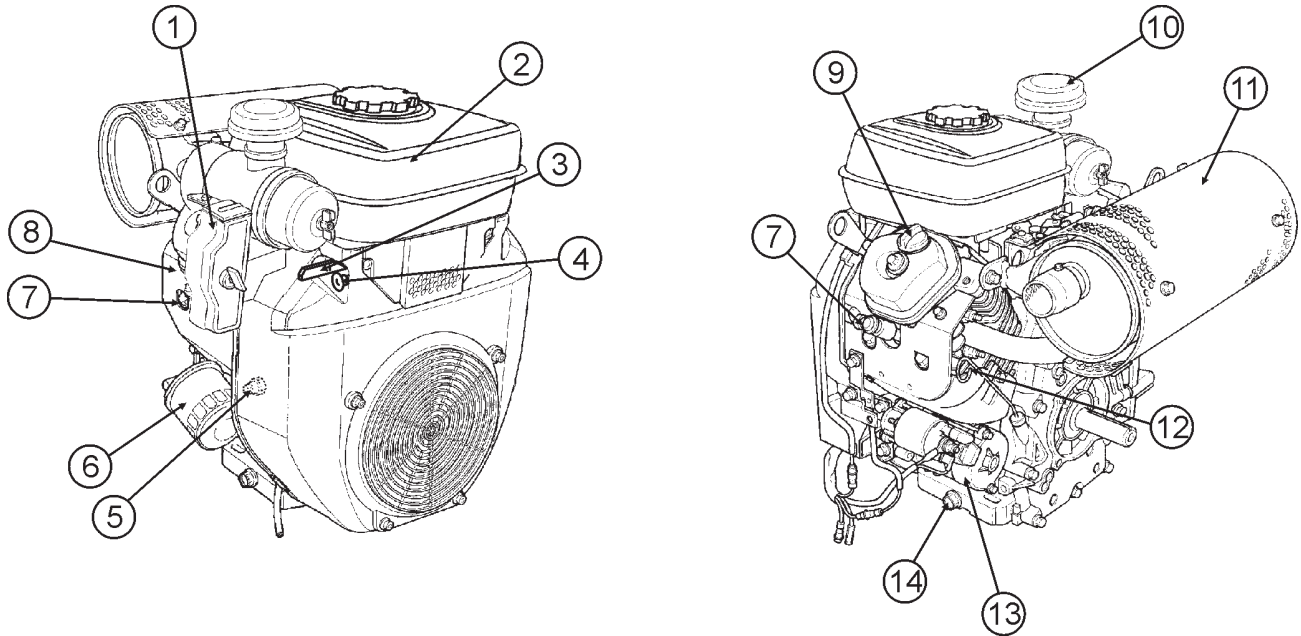


Figure 5. Engine Controls and Components (Honda GX620TXF2)

INITIAL SERVICING

The engine (Figure 5) must be checked for proper lubrication and filled with fuel prior to operation. Refer to the manufacturer's engine manual for instructions & details of operation and servicing.

1. **Engine ON/OFF Switch** – **ON** position permits engine starting, **OFF** position stops engine operations.
2. **Fuel Tank** - Holds unleaded gasoline. For additional information refer to engine owner's manual.
3. **Throttle Lever** – Controlled by accelerator pedal, increases or decreases engine RPM.
4. **Choke Knob** – Used in the starting of a cold engine or in cold weather conditions. The choke enriches the fuel mixture.
5. **Oil Sensor Switch** – This switch monitors the oil level in the engine crankcase. In the event of low oil, the engine will be shut down.
6. **Oil Filter** – Spin-on type, filters oil for contaminants.
7. **Spark Plug** – Provides spark to the ignition system. Set spark plug gap to 0.71 - 0.78 mm (0.028 - 0.031 inch) Clean spark plug once a week.
8. **Fuel Filter** – Filters fuel for contaminants.
9. **Oil Filler Cap** – Remove cap to refill or replace oil with recommended type as listed in Table 4. Make sure cap is tightened securely. **DO NOT** over fill.
10. **Air Filter** – Prevents dirt and other debris from entering the fuel system. Unsnap air filter cover to gain access to filter element.
11. **Muffler** –Used to reduce noise and emissions. **NEVER** touch the muffler while it is hot! Serious burns can result. **NEVER** operate the engine with the muffler removed.
12. **Oil Dip Stick** – Remove to check amount and condition of oil in crankcase.
13. **Starter** – Starts engine when ignition key is rotated to the **ON** position.
14. **Oil Drain Plug** – Remove to drain crankcase oil.

WARNING

Engine components can generate extreme heat. To prevent burns, **DO NOT** touch these areas while the engine is running or immediately after operating. **NEVER** operate the engine with the muffler removed.



STOW CUTTER 3 CE SAW — INSPECTION

PREPARATION / PRE-INSPECTION

1. Read and fully understand this manual, the safety instructions in particular, and the engine manufacturer's manual supplied with the saw.



2. Select the correct blade for each application. Refer to the Blades and Blade Placement sections on pages 17 through 19 for further information.

3. Check blade for wear or damage. Handle all blades with care and **ALWAYS** replace a damaged blade.



4. Clean the saw, removing dirt and dust, particularly the engine cooling air inlet, carburetor and air cleaner.

5. Check the air filter for dirt and dust. Replace the air filter if it is found to be dirty.

6. Check carburetor for external dirt and dust. Clean with dry compressed air.

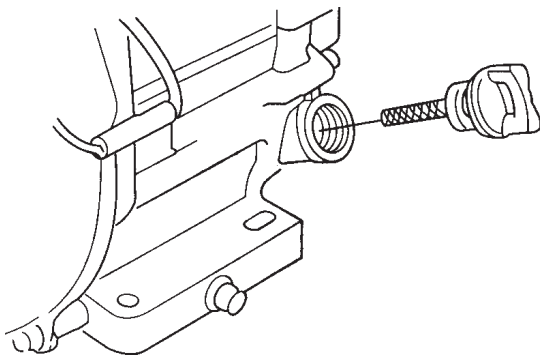
7. Check fastening nuts and bolts for tightness.

8. Ensure a suitable water supply is available, hooked up, and used. (connected via garden hose or with a water tank supply system).

Engine Oil Check

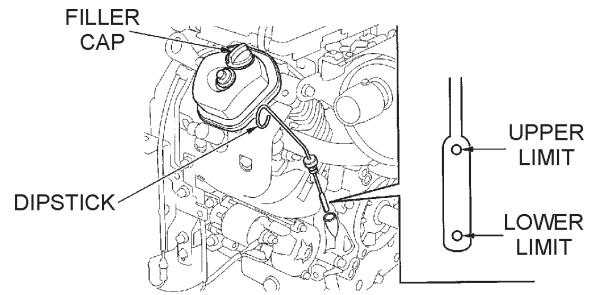
1. To check the engine oil level, place the saw on secure level ground with the engine stopped, and the diamond blade removed.

2. Remove the **filler cap/dipstick** from the engine oil filler hole (Figure 6) and wipe it clean.



Honda GX390 engine shown

Figure 6. Engine Oil Dipstick (Removal)

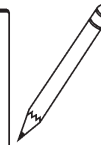
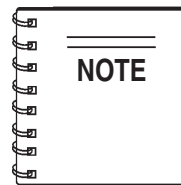


Honda GX620 engine shown

Figure 6A. Engine Oil Dipstick (Removal)

3. Insert and remove the dipstick without screwing it into the filler neck. Check the oil level shown on the dipstick.

4. If the oil level is low (Figures 6 and 7), fill to the edge of the oil filler hole with the recommended oil type (Table 4). Maximum oil capacity for the Honda GX390 engine is 2.32 pints (1.1 liters) and for the Honda GX620 engine it is 3.18 pints (1.50 liters).



Reference manufacturer engine manual for specific servicing instructions.

HONDA 13 HP engine shown.

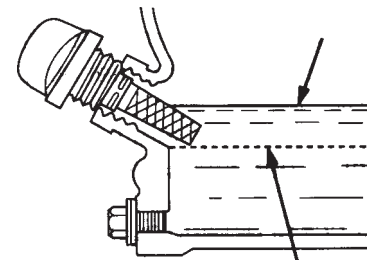


Figure 7. Engine Oil Dipstick (Oil Level)

Table 4. Oil Type

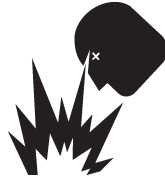
| Season | Temperature | Oil Type |
|-------------|----------------|---------------|
| Summer | 25°C or Higher | SAE 10W-30 |
| Spring/Fall | 25°C~10°C | SAE 10W-30/20 |
| Winter | 0°C or Lower | SAE 10W-10 |

STOW CUTTER 3 CE SAW — INSPECTION

Gasoline Check

WARNING

Motor fuels are highly flammable and can be dangerous if mishandled. **DO NOT** smoke while refueling. **DO NOT** attempt to refuel the saw if the engine is *hot* or *running*.



1. Remove the gasoline cap located on top of fuel tank.
2. Visually inspect to see if fuel level is low. If fuel is low, replenish with unleaded fuel.
3. When refueling, be sure to use a strainer for filtration. **DO NOT** top-off fuel. Wipe up any spilled fuel.

Hydrostatic Transmission (Self-Propelled models only) -

An EATON® Model 7 hydrostatic transmission (Figure 8) provides the power for the saw's propulsion system. The transmission drives a sprocket that directly connects the spline drive to the rear wheels. The **no load** forward/reverse speeds are approximately 24.4 m/min. (80 ft/min.).

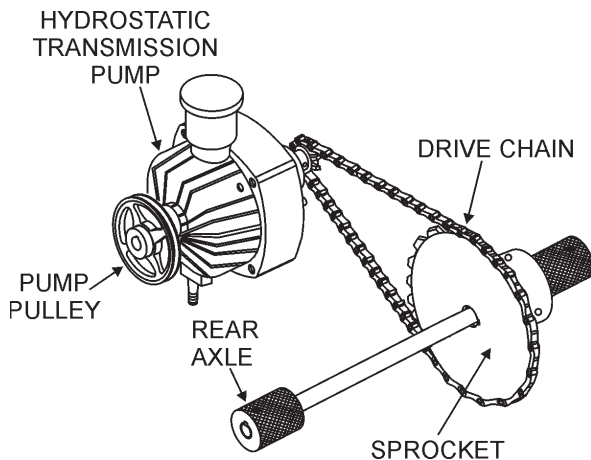


Figure 8. Hydrostatic Transmission

The transmission is factory filled with approved hydraulic fluid that has a viscosity equivalent to SAE 20W-20. Should additional servicing be required, the following hydraulic fluids are recommended:

- General Motors Dextron B
- Ford MM2C-33F
- Ford M2C-41A
- International harvester Hy-Tran Fluids

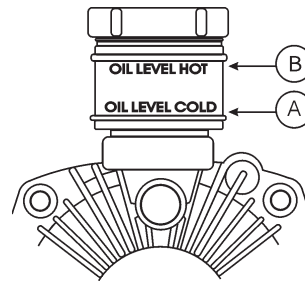


Figure 9. Transmission Reservoir

CAUTION

DO NOT over fill the fluid reservoir (Figure 9). Note the level marks on the reservoir. **It is essential to reference the existing oil conditions (A) cold or (B) hot prior to operating the saw.** Overfilling the transmission with hydraulic fluid may cause the seals to **rupture** causing mechanical damage.

STOW CUTTER 3 CE SAW — INSPECTION

Battery (Self-Propelled models only)

Self-Propelled models use a single 12-volt DC battery. (Figure 10) It is shipped **ready to use**.

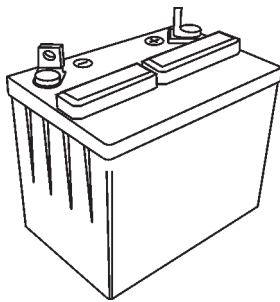


Figure 10. Battery

When servicing of the battery is required perform the following:

- A face shield and rubber gloves should be worn while handling and servicing battery's electrolyte.
- **Disconnect** battery terminal clamps, and remove the battery from the saw when servicing is required.
- **DO NOT** overfill the battery.


! WARNING

Wear **safety glasses** or **face mask**, **protective clothes**, and **rubber gloves** when working with battery.




! WARNING

Electrolyte is an acid and must be handled with caution. Servicing instructions from the electrolyte manufacturer must **ALWAYS** be followed to ensure safety. Serious injury can result from careless handling and noncompliance to safety handling instructions.

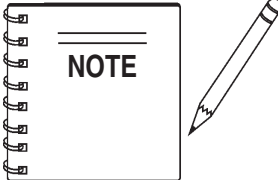


Overfilling the battery may cause the electrolyte to overflow resulting in corrosion to nearby components. Immediately wash off any spilled electrolyte (battery acid).



Additionally, when connecting the positive (+) cable to the battery's positive (+) terminal post, **DO NOT** allow contact of the wrench or any metallic part to come in contact with the battery's negative (-) terminal post. This may result in an electrical short circuit or an explosion.

NOTE



Use only **distilled** water in the battery. Tap water can **reduce** the operating life of the battery.

STOW CUTTER 3 CE SAW — INSPECTION -BLADE

SPECIFIC TOOLS TO BE USED

This saw is to use tools (blades) as follows:

Steel Core Segmented or Continuous Diamond Rim Cutting Wheel.

Any other type of tool is not to be used. See Table 5 for specific blade usage for material.

WARNING

Failure to thoroughly inspect the diamond blade (Figure 11) for operational safety could result in damage to the blade, the saw, and may cause injury to the user or others in the operating area.

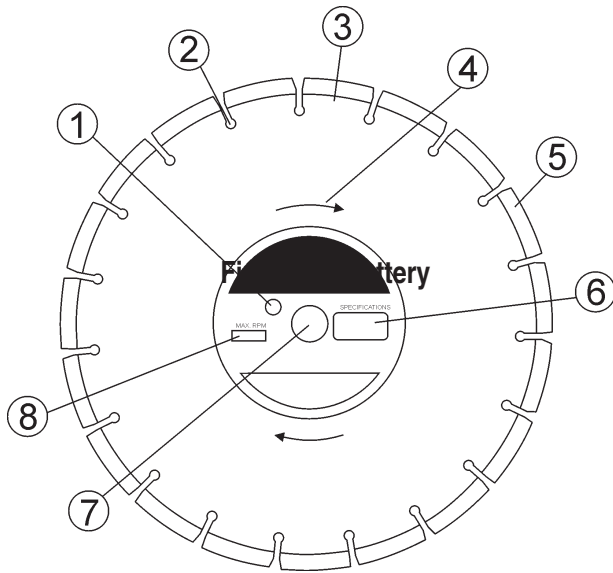


Figure 11. Diamond Blade

1. **Drive Pin Hole** – A commonly located hole on the diamond blade core that prevents operational blade slippage between the inner & outer blade flanges (collars). Inspect the diameter of the hole to ensure there is no distortion, and that a snug fit develops between the hole and drive pin.
2. **Stress Relief Holes (Gullets)** – Check the steel core for cracks that may have propagated from the slots and/or gullets. Cracks indicate extreme fatigue failure and if sawing continues, catastrophic failure will occur.
3. **Edge Of The Steel Core** – Check the diameter edge for discoloration (blue oxidation) indicating an overheating condition caused by insufficient cooling water/air. Overheating of blades may lead to loss of core tension and/or increase the possibility for blade failure. Check to make sure the steel core's width is uniform about the rim of the blade, and not succumbing to an “under cutting” condition brought about by highly abrasive material or improper under cutting core protection.
4. **Directional Arrow** – Check to ensure that the blade is oriented properly on the blade shaft for sawing. Reference the directional arrow in the blade and place it so the direction of rotation “downcuts” with the turn of the shaft.
5. **Diamond Segment or Rim** – Ensure there are no cracks, dings, or missing portions of the diamond segment/rim. **DO NOT use a blade that is missing a segment or a portion of the rim.** Damaged and/or missing segments/rims may cause damage to your saw, and injury to the user or others in the operating area.
6. **Specifications** – Ensure that the blade specifications, size, and diameter properly match up to the sawing operation. Wet blades must have water to act as a coolant. Utilizing a diamond blade not matched properly to the task may result in poor performance and/or blade damage.
7. **Arbor Hole** – It is essential that the arbor hole diameter properly matches the blade, and that it is free from distortions. Correct blade flanges (collars) must be used. The inside face of the flanges must be clean & free of debris. An out of round arbor condition will cause damage to the blade and the saw.
8. **MAX RPM** – This RPM reference is the maximum safe operating speed for the blade selected. **NEVER** exceed the max RPM on the diamond blade. Exceeding the MAX RPM is dangerous, and may cause poor performance and may damage the blade.

STOW CUTTER 3 CE SAW — INSPECTION - BLADE PLACEMENT

Table 5. MATERIAL LISTING AND BLADE SELECTION

| Material | Blade |
|-------------------------------------|------------------------|
| Cured Concrete | Cured Concrete Blade |
| Green Concrete | Green Concrete Blade |
| Asphalt | Asphalt Blade |
| Asphalt over Concrete | Asphalt/Concrete Blade |
| Block, Brick, Masonry, Refractories | Masonry Blade |
| Tile, Ceramic, Stone | Tile Blade |

Diamond Blades

Selecting the diamond blade **TYPE** and **GRADE** defines how the blade will perform both in cutting speed and blade life.

Selection of the proper diamond blade consists of:

- Material to be Cut
- Type of Saw Being Used
- Horsepower of Saw
- Hardness Characteristics of the Material
- Performance Expectations

Factors for sawing economy:

- Type of Blade
- Depth of Cut
- Sawing Speed
- Characteristics of the Material Being Cut


Blade Speed

A diamond blade's performance is directly connected to specific peripheral (rim) speeds.

The following shaft rotational speeds have been factory set to ensure optimum blade performance.

- Cutter 3 CE - 508 mm. (20") Capacity - 2800 RPM.


! **WARNING**



Operating saw blades at rotational speeds greater than those specified by the manufacturer can cause blade damage, and may injure the user or others in the operating area.

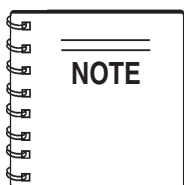
BLADE PLACEMENT

! **WARNING**



Failure to thoroughly inspect the diamond blade for operational safety could result in damage to the blades or the saw and may cause injury to the user or others in the operating area.

STOW CUTTER 3 CE SAW — INSPECTION - BLADE PLACEMENT



The following steps should be accomplished before placing the diamond blade on the **blade shaft**.

- Set the engine **ON/OFF** switch to the **OFF** position.
 - Raise the saw to a high position by cranking the Raise/Lower handle in a counterclockwise direction.
 - Use the Blade Nut Wrench & Blade Shaft Locking Wrench stored on the front section of the console to install the diamond blade.
 - Reference Figure 12 (Diamond Blade Placement) when removing or installing the diamond blade.
1. **Blade Guard** – Raise the front half of the blade guard to expose the blade shaft nut & outer flange.
 2. **Blade Nut Wrench** – Remove the blade nut wrench (3) from the tool holder and unscrew the blade shaft nut (right-side). This nut **loosens clockwise** and **tightens counterclockwise**.



3. **Blade Nut** – Remove the blade nut (4). For reassembly, **DO NOT** over tighten the blade nut against the outer flange. Tighten blade nut approximately 62-69 N/m. (45-50 ft-lbs)
4. **Outside Blade Flange (Collar)** – Ensure that the flange face is clean and free of debris and is placed flush against the diamond blade (7). Check that the drive pin goes through the blade pin hole (6) and seats properly into the inner flange (8).
5. **Blade Pin Hole** – Align this hole with the drive pin hole on the inner flange collar.
6. **Diamond Blade** – Ensure that the proper blade has been selected for the job. Pay close attention to the directional arrow on the blade, **clockwise for right-side** cutting, **counter-clockwise for left-side** cutting. The arbor hole of the blade must match the 1" arbor of the blade shaft.
7. **Inner Flange Collar** – This flange is fixed upon the blade shaft, and is manufactured with a drive pin hole. The inside surface of the flange must be free of debris and permit a tight closure on the surface of the blade.

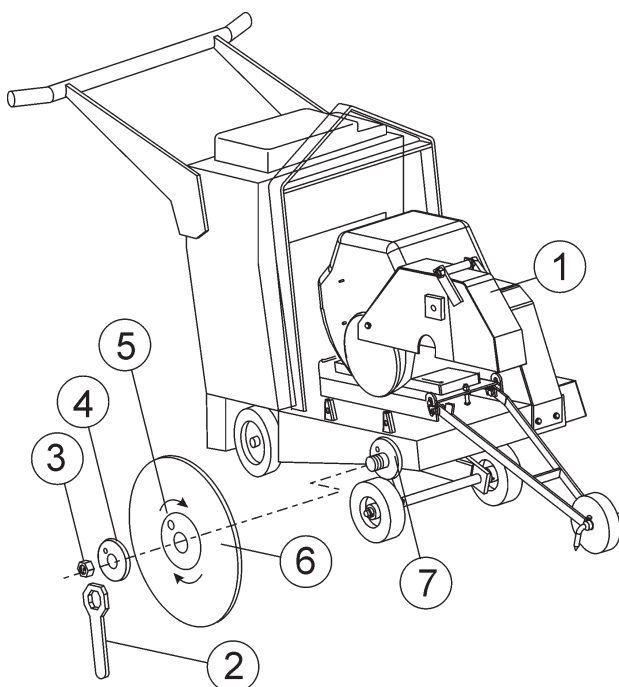


Figure 12. Diamond Blade Placement

STOW CUTTER 3 CE SAW — INSPECTION -GUARDS, COVERS & BELTS

Guards and Covers Check

WARNING

NEVER operate the saw without blade guards and covers (Figures 13 and 14) in place. **DO NOT** operate with the front of the blade guard raised. The blade exposure cannot exceed 180 degrees during operations. Adhere to the safety guidelines of the **American National standards Institute (ANSI) B7.1 and B7.5.**

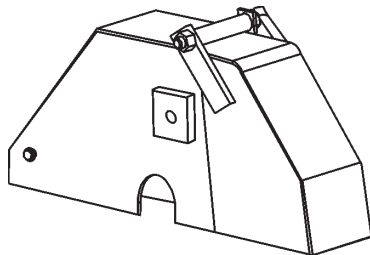


Figure 13. Blade Guard

CHECK the following on the **blade guard**:

- Check to ensure the capacity of the blade guard matches the diameter of your diamond blade.
- Check that the guard seats firmly upon the bayonet fitting of the saw frame.
- Check that the spring tensioned front cover of the guard is firmly seated with the rear section of the guard, and there are no gaps.
- Check the fit of the water hoses in the sides of the blade guard. **NEVER** lift the blade guard while cutting.
- Check that the flood water tubes are clear and open. Test the water supply for pressure and flow (to both sides of the blade) before sawing operations.

CHECK the following on the **blade flange cover**.

- Check that the flange cover seats firmly upon the bayonet fitting of the saw frame prior to operation.
- This flange cover is to be in place when cutting from either the right or left side of the saw.

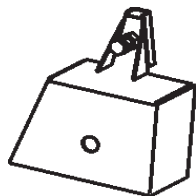


Figure 14. Blade Flange Cover

V-Belts and Covers

CAUTION

NEVER attempt to check the V-belt with the engine running because severe injury can occur. Keep fingers, hands, hair and clothing away from all moving parts.

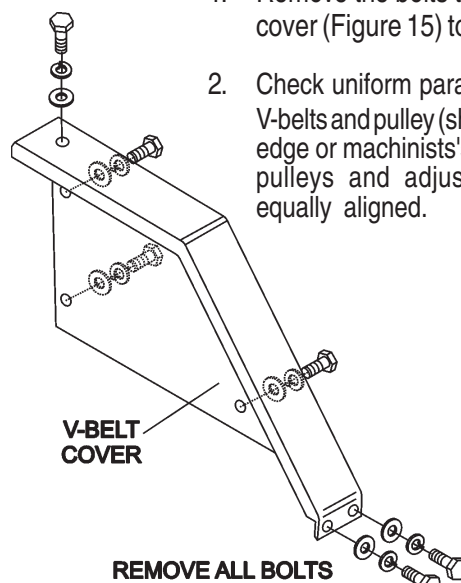


V-belts Alignment and Tensioning

This slab saw is equipped with 3 premium V-belts (3 for 13HP models, 4 V-belts for 20HP models) that have been aligned and tensioned by factory personnel. All V-belts **MUST** be installed for proper operation of the saw. Failure to run the saw with less than the required number of belts may damage the saw or equipment.

Use the following procedure to check the alignment of V-belts:

1. Remove the bolts that secure the V-belt cover (Figure 15) to the saw frame.
2. Check uniform parallelism (Figure 16) of V-belts and pulley (sheaves). Use a straight edge or machinists's square against both pulleys and adjust both pulleys until equally aligned.



REMOVE ALL BOLTS

Figure 15. V-Belt Cover

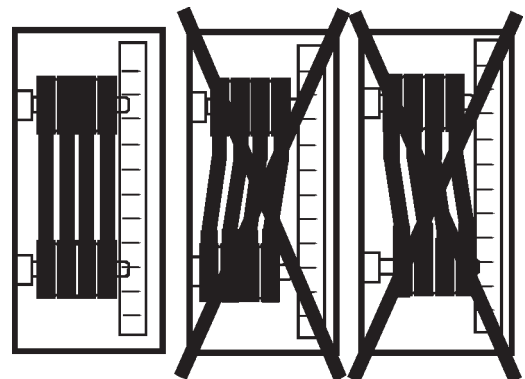


Figure 16. V-Belt Parallelism

STOW CUTTER 3 CE SAW — INSPECTION - BELTS & WATER TANK

3. Check V-belt tension (Figure 17) by using a tensionmeter (2.7 - 4.1 kg/6.0 - 9.0 lbs.) against the inside belt at a mid point between the two pulleys, or by deflecting the center belt at a mid point 10 mm (3/8") - 13 mm (1/2").

CORRECT V-BELT TENSION 3/8 IN.
(10 MM) TO 1/2 IN. (13 MM) WHEN DEPRESSED
AT MIDPOINT AS SHOWN

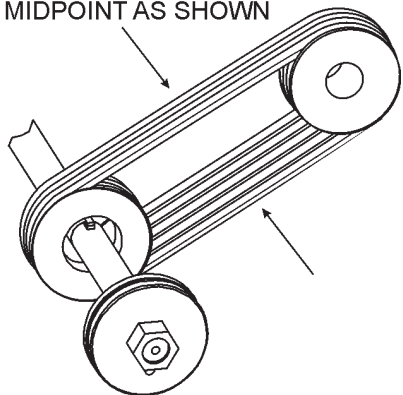


Figure 17. V-Belt Tension

4. **DO NOT** over or under tension the V-belts. Severe damage can occur to the saw and engine crank shaft if the belts are over tensioned. A decrease of power to the blade and poor performance will result if the belts are under tensioned (loose on pulleys).
5. If the V-belts becomes worn or loose, replace them by using the following V-belt part numbers listed in Table 6.

Water Tank

The Cutter 3 saw is equipped with a removable 5-gallon on-board water tank fitted in the top of the console which can be connected to the brass hose fitting on the rear of the operators console (Figure 18).

Before using the water tank, ensure it is filled to capacity and connected to the hose fitting to provide lubrication during cutting. An external water source can also be connected to the CUTTER 3 for extended wet cutting operations.

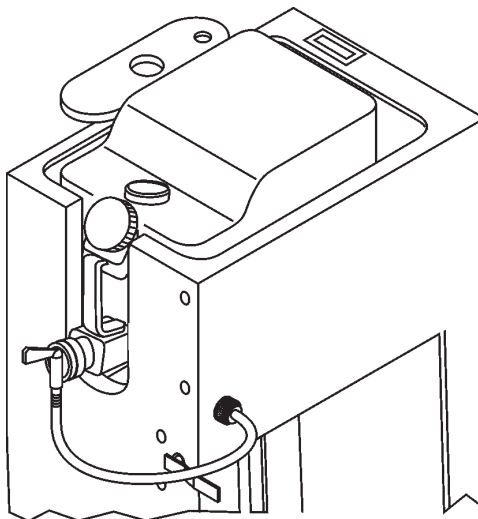


Figure 18. On-board Water Tank Hose Connection

Table 6. V-Belts and Pulleys

| Engine Size | Saw Type | Blade Size | V-Belt P/N (Qty.) | Engine Pulley P/N | Blade Shaft Pulley P/N |
|--------------|-------------|------------|-------------------|-------------------|------------------------|
| 13 HP Engine | Push | 20 inch | 16052 (3) | 23665-001 | 25172-003 |
| | Self-Propel | | | 23703-003 | 25172-003 |
| 20 HP Engine | Self-Propel | 20 Inch | 15897 (4) | 28833-002 | 23280-001 |

STOW CUTTER 3 CE SAW — INSPECTION - ADJUSTMENTS

CAUTION

NEVER stop the engine while cutting at high speeds, except in case of an emergency. This can damage your Cutter 3 CE Saw.

Adjusting the Handle Bars

The Cutter 3 CE has adjustable height handle bars. Before operating the saw, adjust the handle bar height to a comfortable working position:

1. Loosen the height adjustment bolts (Figure 19) on the handle bars until the handle bars can freely pivot.

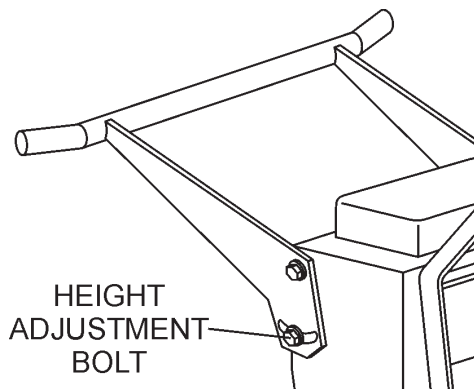


Figure 19. Handle Bar Adjustment Bolts

2. Move the handle bars (Figure 20) up or down to operators desired preference.

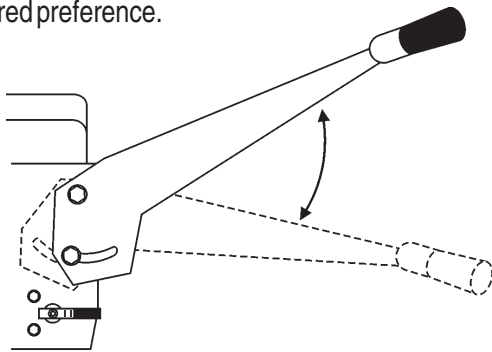


Figure 20. Handle Bar Height Adjustment

3. Tighten the height adjustment bolts to secure the handle bars in place.

CAUTION

To avoid losing control of the Cutter 3 CE saw, be sure to fully tighten the adjustment bolts before operating the saw to prevent the bolts from loosening during cutting.

Adjusting the Blade Height

The Cutter 3 CE saw uses a manual **raise/lower crank handle** located on the console with **clockwise** rotation providing lowering action, and **counter-clockwise** rotation providing raising and lowering action (Figure 21).

To adjust the blade height:

1. Pull upward on the raise/lower crank handle knob.
2. Rotate the crank handle **clockwise** to **lower the blade**. Rotate the crank handle **counter-clockwise** to **raise the blade** (Figure 21). The handle will stop rotating when the blade has been fully raised or lowered.

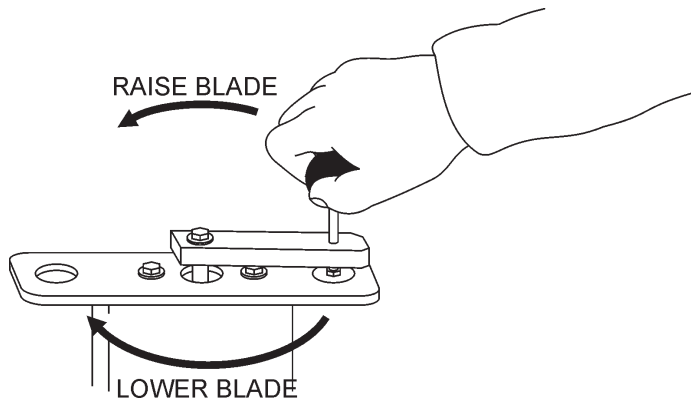
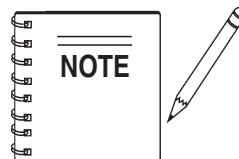


Figure 21. Blade Height Adjustment



When moving the saw around between cutting, fully raise the blade to avoid striking the ground with the blade.

Determining the Cut Depth

When preparing to cut, your blade size determines the depth of the cut. See Table 7 to determine the proper blade size for your required cutting depth.

TABLE 7. BLADE SELECTION

| Diamond Blade Diameter | Depth of Cut |
|------------------------|-----------------------|
| 304.8 mm (12 in.) | 92.1 mm (3-5/8 in.) |
| 355.6 mm (14 in.) | 117.48 mm (4-5/8 in.) |
| 406.4 mm (16 in.) | 142.88 mm (5-5/8 in.) |
| 457.2 mm (18 in.) | 168.28 mm (6-5/8 in.) |
| 508 mm (20 in.) | 193.68 mm (7-5/8 in.) |

STOW CUTTER 3 CE SAW — MANUAL START-UP (13HP HONDA ENGINE)

MANUAL START-UP (13HP HONDA ENGINE)

The following start-up procedure makes reference to a **HONDA 13 HP Engine (Manual Start)**.

CAUTION

DO NOT attempt to operate the saw until this manual has been read and thoroughly understood. Engine operating steps may vary. See included engine manufacturer's operating manual.

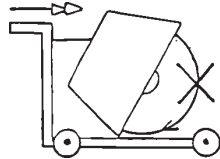


WARNING

When the engine is running the cutting blade is **ALWAYS rotating**. Keep hands and feet clear of rotating blade. Raise the saw to full height when maneuvering the saw within the cutting area.



All displacement of the machine outside the cutting area shall be carried out with the tool not in rotation.



WARNING

NEVER place hands or feet inside the belt guard or blade guard while the engine is running. **ALWAYS** shut the engine down before performing any kind of maintenance service on the saw.



CAUTION

Ensure the work area is clear of tool, debris, and unauthorized people.

CAUTION

Keep Wheel Clamp applied (lever **DOWN**) until completely ready for cutting operation.

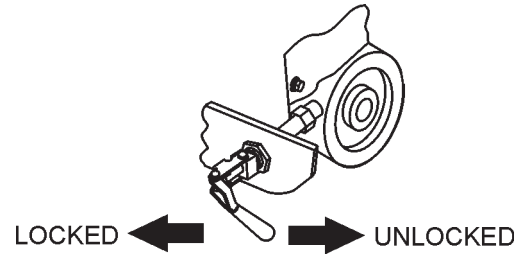
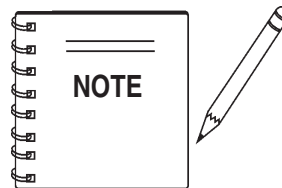
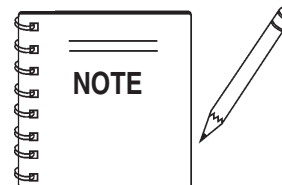


Figure 22. Wheel Clamp

1. Ensure the wheel clamps are in the **LOCKED** position. (Figure 22).
2. Ensure the engine **Shutdown switch** on the handlebar and the engine **ON/OFF switch** on the engine are both in the **OFF** position to avoid accidental starting. (Figures 23 and 24)



The Engine Stop Switch located on the handlebar (Figure 23) serves both as an **Emergency Engine Shut-Off** and as the **primary Shutdown switch**. This allows the operator to shutdown the saw safely away from moving parts.



After shutdown on Electric Start models, ensure the **Engine Start switch** is turned to the **OFF** position to avoid battery discharge and accidental starting.

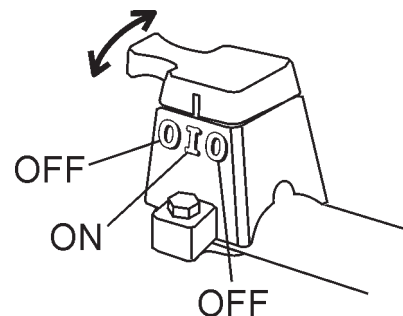


Figure 23. Engine Shutdown Switch (Handlebar)

STOW CUTTER 3 CE SAW — MANUAL START-UP (13HP HONDA ENGINE)

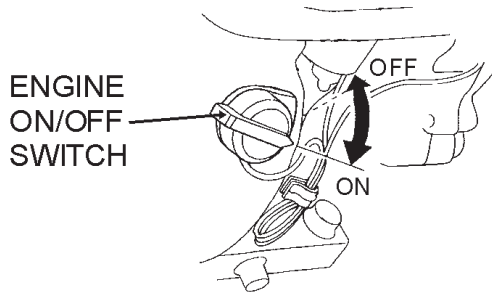


Figure 24. Engine ON/Off Switch (Engine)

3. Ensure the diamond blade has been mounted correctly and that it is raised above the surface you are about to saw.
4. Ensure the water tank is filled to capacity (18.95 liters/5 gallons). Connect the water tank hose to the water system brass fitting on the rear of the console (Figure 18) and test for adequate water flow to the diamond blade before operation. When ready to start cutting, turn the water on.
5. Place the **fuel valve lever** (Figure 25) to the **ON** position.

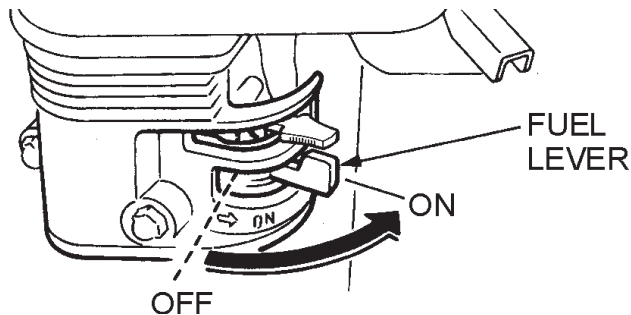
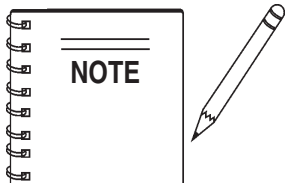


Figure 25. Fuel Valve Lever

6. Place the **Engine ON/OFF switches** (Figures 23 and 24) to the **ON** position.



The **CLOSED** position of the choke lever enriches the fuel mixture for starting a **COLD** engine. The **OPEN** position provides the correct fuel mixture for normal operation after starting, and for restarting a warm engine.

7. If operating the Cutter 3 CE in **cold weather conditions**, skip this step and proceed to step 8. Place the **Choke Lever** (Figure 26) in the **OPEN** position. Skip to step 9.

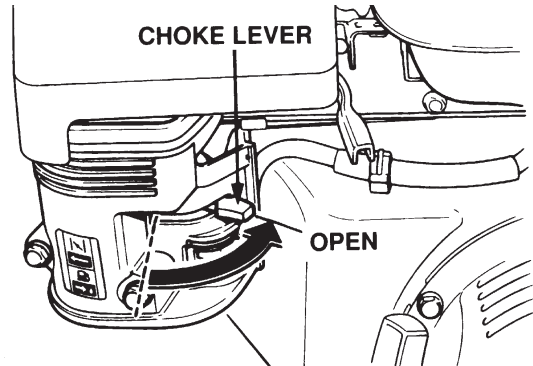


Figure 26. Choke Lever (Open Position)

8. If operating the Cutter 3 CE in **cold weather conditions**, place the **Choke Lever** (Figure 27) in the **CLOSED** position.

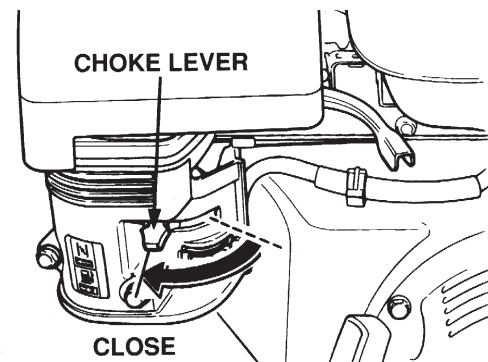


Figure 27. Choke Lever (Closed Position)

CAUTION

The engine governor speed has been set at the factory. Changing the governor speed could damage the blade and/or the saw.

9. Place the **throttle lever** (Figure 28) halfway between **FAST** and **SLOW** for starting. All sawing is done at full throttle. The engine governor speed is factory set to ensure optimum blade operating speeds.

STOW CUTTER 3 CE SAW — MANUAL START-UP (13HP HONDA ENGINE)

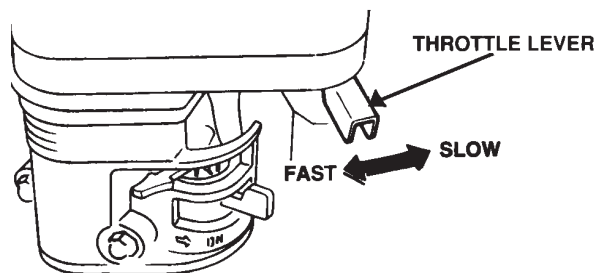


Figure 28. Throttle Lever

10. Grasp the starter grip (Figure 29) and slowly pull it out. The resistance becomes the hardest at a certain position, corresponding to the compression point. Pull the starter grip briskly and smoothly for starting.

CAUTION

- **DO NOT** pull the starter rope all the way to the end.
- **DO NOT** release the starter rope after pulling. Allow it to rewind as soon as possible.

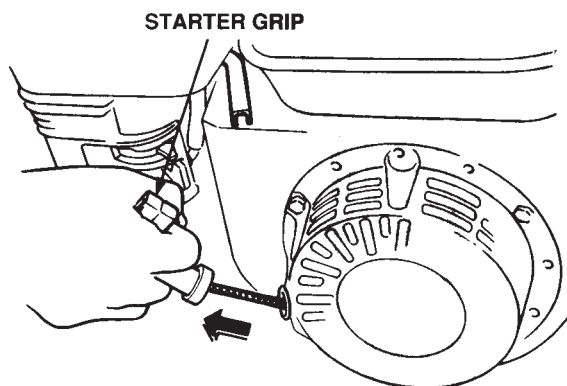


Figure 29. Starter Grip

11. If the engine has started, slowly return the choke lever (Figure 22) to the **CLOSED** position. If the engine has not started repeat steps 7 through 10.
12. Before the saw is placed into operation, run the engine for several minutes. Check for fuel leaks, and noises that would associate with a loose guard and/or covers.
13. All sawing is done at full throttle. Your engine governor has been set at the factory to ensure an optimum speed setting.

STOW CUTTER 3 CE SAW — ELECTRIC START-UP (20HP HONDA ENGINE)

ELECTRIC START-UP (20HP HONDA ENGINE)

The following start-up procedure makes reference to a **HONDA 20 HP Engine (Electric Start)**

CAUTION

DO NOT attempt to operate the saw until this manual has been read and thoroughly understood. Engine operating steps may vary. See included engine manufacturer's operating manual.

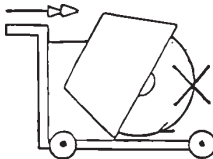


WARNING

When the engine is running the cutting blade is **ALWAYS rotating**. Keep hands and feet clear of rotating blade. Raise the saw to full height when maneuvering the saw within the cutting area.



All displacement of the machine outside the cutting area shall be carried out with the tool not in rotation.



WARNING

NEVER place hands or feet inside the belt guard or blade guard while the engine is running. **ALWAYS** shut the engine down before performing any kind of maintenance service on the saw.



CAUTION

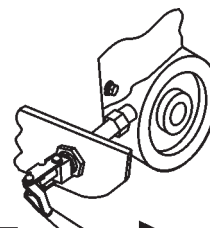
Ensure the work area is clear of tool, debris, and unauthorized people.

CAUTION

The engine governor speed has been set at the factory. Changing the governor speed could damage the blade and/or the saw or create a risk for injury to the operator.

CAUTION

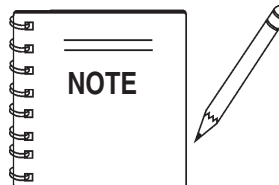
Keep Wheel Clamp applied (lever **DOWN**) until completely ready for cutting operation.



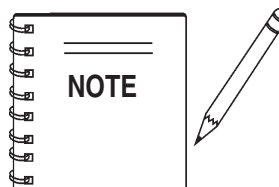
LOCKED ← → UNLOCKED

Figure 30. Wheel Clamp

1. Ensure the wheel clamps are in the **LOCKED** position. (Figure 30).
2. Ensure the engine **Shutdown switch** on the handlebar and the engine **ON/OFF switch** on the engine are both in the **OFF** position to avoid accidental starting. (Figures 31 and 32)



The Engine Shutdown Switch located on the handlebar (Figure 31) serves both as an **Emergency Engine Shut-Off** and as the **primary Shutdown switch**. This allows the operator to shutdown the saw safely away from moving parts.



After shutdown on Electric Start models, ensure the **Engine Start switch** (Figure 32) is turned to the **OFF** position to avoid battery discharge and accidental starting.

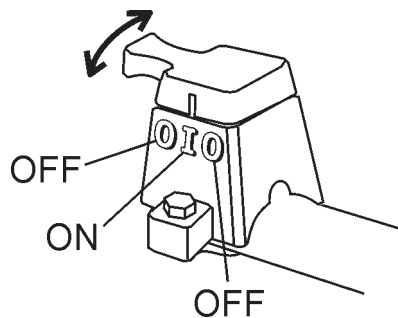


Figure 31. Engine Shutdown Switch (Handlebar)

STOW CUTTER 3 CE SAW — ELECTRIC START-UP (20HP HONDA ENGINE)

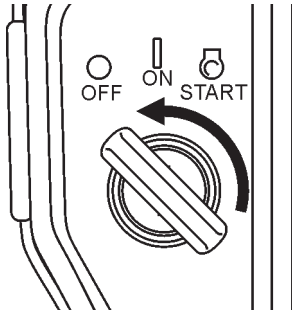


Figure 32. Engine Start Switch (OFF Position)

3. Ensure the diamond blade has been mounted correctly and that it is raised above the surface you are about to saw.
4. If operating the Cutter 3 CE in **cold weather conditions**, skip this step and proceed to step 5. Place the **Choke Lever** (Figure 33) in the **OPEN** position. Skip to step 6.

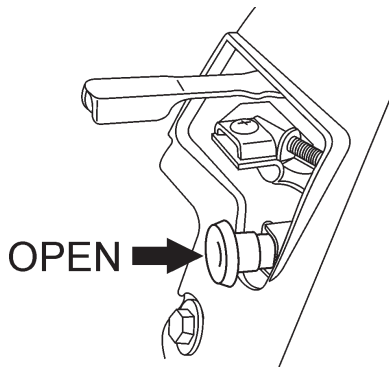


Figure 33. Choke Lever (Open Position)

5. If operating the Cutter 3 CE in **cold weather conditions**, place the **Choke Lever** (Figure 34) in the **CLOSED** position.

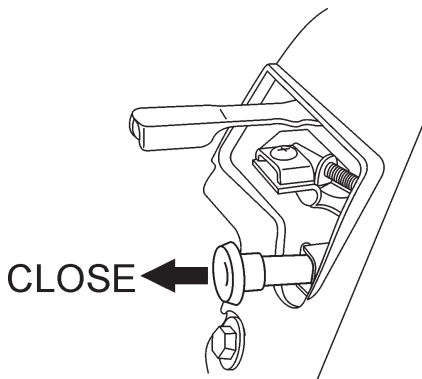
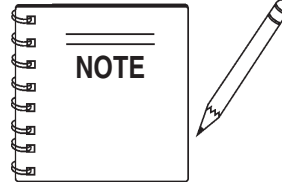


Figure 34. Choke Lever (Closed Position)



The **CLOSED** position of the choke lever enriches the fuel mixture for starting a **COLD** engine. The **OPEN** position provides the correct fuel mixture for normal operation after starting, and for restarting a warm engine.

6. Place the **throttle lever** (Figure 35) halfway between **FAST** and **SLOW** for starting.

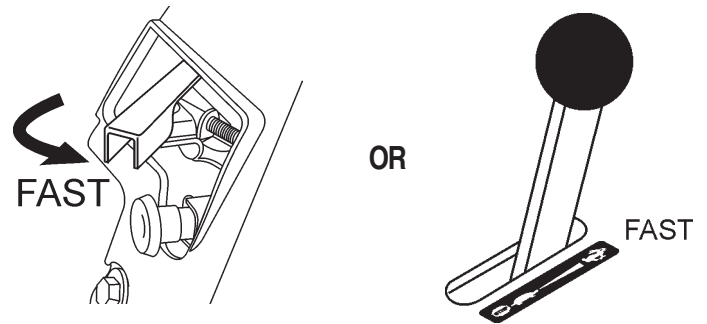


Figure 35. Throttle Lever (Fast Position)

7. Rotate the **Engine Shutdown switch** (Figure 36) to the **START** position to engage the starter.

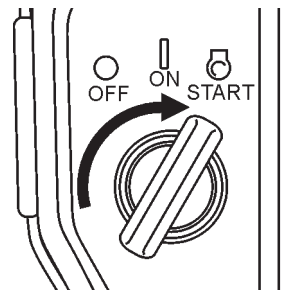


Figure 36. Ignition Switch (Start Position)

8. Once the engine has started, slowly return the choke lever (Figure 34) to the **CLOSED** position. If the engine has not started repeat steps 4 through 7.
9. Before the saw is placed into operation, place the **throttle lever** in the **FAST** position and run the engine for several minutes. Check for fuel leaks, and noises that would associate with a loose guard and/or covers.
10. All cutting is done at **FULL THROTTLE**. Your engine governor has been set at the factory to ensure an optimum speed setting.

STOW CUTTER 3 CE SAW — OPERATION

WARNING

ALWAYS cut with the saw at **FULL THROTTLE**. Attempting to cut with the saw at less than full throttle could cause the blade to bind or stop abruptly in the slab resulting in serious injury to the operator or others in the area.

WARNING

ALWAYS keep clear of *rotating* or *moving* parts while operating this equipment.

CAUTION

Ensure the cutting area is clear of tools, debris, and unauthorized people.

CAUTION

DO NOT try to cut faster than the blade will allow. Cutting too fast will cause the blade to rise up out of the cut. Improper cutting rate can decrease the life of the engine and blades.

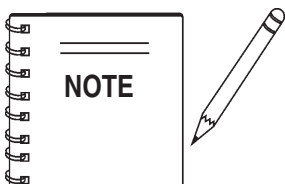
CAUTION

Engine components and the blade can get **EXTREMELY HOT!** during operation. **ALWAYS** allow the engine and blade to cool before handling or servicing.



CAUTION

Whenever the saw is not in operation or being moved or transported, apply the wheel clamp brakes to prevent unwanted displacement.



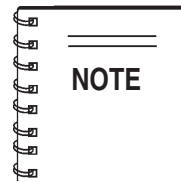
Mark the cutting line clearly and always saw in a **STRAIGHT LINE ONLY**.

OPERATION

Emergency Stop Procedure

If the engine must be stopped in an emergency situation:

Toggle the **engine Shutdown switch** located on the handlebars (Figure 31) in **EITHER DIRECTION** to the "OFF" position.



The Engine Shutdown Switch located on the handlebar (Figure 31) serves both as an **Emergency Engine Shut-Off** and as the **primary Shutdown switch**. This allows the operator to shutdown the saw safely away from moving parts.

Traveling During Cutting (Push)

Push models of the Cutter 3 CE saw must be manually moved by the operator during cutting operations. Ensure that the handlebars are secured in place on the console and push against them with a controlled amount of force to prevent losing control of the machine.

1. Start the engine as described in the previous section. Rotate the throttle lever toward full throttle. Ensure water supply system is in operation. Turn valve to start flow of water.

2. Release Wheel Clamps by pulling levers **UP**. (Figure 37)

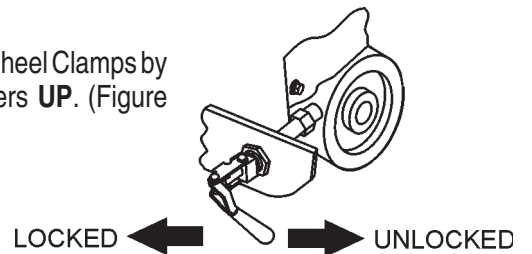


Figure 37. Wheel Clamp

3. To begin sawing, use the raise/lower crank handle on the console to lower the rotating blade allowing it to cut to the preset depth.
4. When blade has reached full cutting depth, slowly walk behind the saw at a rate that will allow the engine to operate without losing optimum RPM.

STOW CUTTER 3 CE SAW — OPERATION

- When the end of the cut has been reached, use the raise/lower crank on the console to raise the blade out of the cut.
- When cutting is complete, turn the engine **OFF** using the **ENGINE STOP TOGGLE SWITCH** on the handlebars, and wait for the blade to stop rotating.
- Set the engine **ON/OFF** switch to the **OFF** position.
- Place the water valve in the **OFF** position (as required).
- Push the Wheel Clamp Levers downward to apply braking pressure to the wheels (Figure 37).

Traveling During Cutting (Self-Propelled)

Self-propelled models of the Cutter 3 CE saw have a hydrostatic transmission which mechanically propels the saw during cutting operations. To prepare the machine for self-propelled cutting:

- Place the **travel lever** in the **NEUTRAL** position.

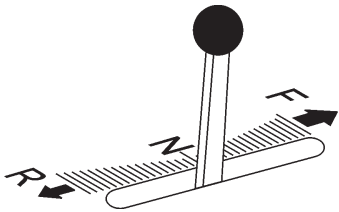


Figure 38. Transmission Engage/Disengage Lever (Neutral Position)

- Lift the **transmission engage/disengage lever**, located on the console (Figure 39). Leaving the lever down disengages the transmission to allow for manual pushing during cutting or moving the machine around the job site.

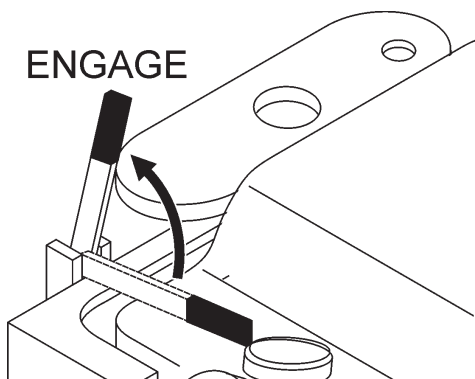


Figure 39. Transmission Engage/Disengage Lever (Engage Position)

- Move the **travel lever** towards the **FORWARD** position to increase forward travel speed during cutting (Figure 40). Placing the travel lever fully forward will move the saw at maximum speed.

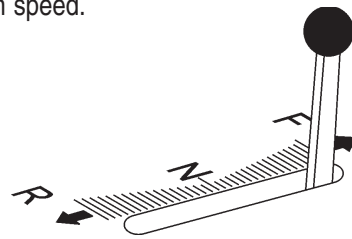


Figure 40. Transmission Engage/Disengage Lever (Forward Position)

- When reverse movement is required, move the **travel lever** towards the **REVERSE** position (Figure 41). Placing the travel lever fully in reverse will move the saw backwards at its maximum reverse speed.

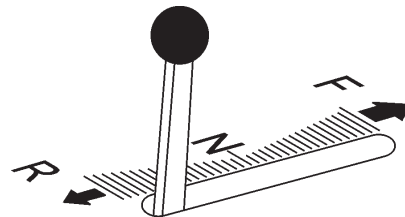


Figure 41. Transmission Engage/Disengage Lever (Reverse Position)

Saw Alignment

- The Cutter 3 CE saw employs a front pointer (Figure 42) that has been precisely aligned with the diamond blade at the factory. Referencing the figure below, accurate tracking is accomplished by referencing the front pointer tip over the cut line. Precise saw direction is accomplished by slight operator pressure against the handle bars.

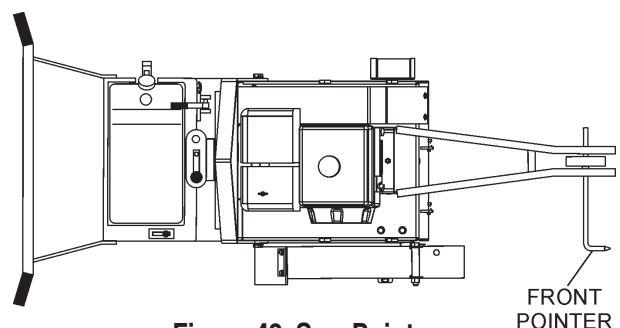


Figure 42. Saw Pointer

- To reorient a pointer position, loosen the screw that secures the pointer bar to the shaft, adjust as necessary, and retighten the screw.

STOW CUTTER 3 CE SAW — OPERATION

Cutting

WARNING

The operator **MUST** wear the appropriate protective equipment and clothing while engaged in sawing. Failure to do so can result in **SERIOUS INJURY**.



DANGER

DO NOT operate this machine without the Blade Guard or V-belt Guards in place. While the blade is spinning, **DO NOT** place hands, feet, or other body parts near the blade to avoid **SERIOUS INJURY** or **DEATH**.



When cutting, determine the required cutting depth and use an appropriately sized blade. Deep sawing is wasteful to the life of the blade.

The preferred method of sawing is to **Step Cut** in increments of 51 mm (2"). Step Cutting provides the optimum opportunity for the blade to cut fast and last longest.

Water System

1. Connect hose from water source (on-board water tank or external water source) to the hose fitting connection (Figure 3) of the saw. The source pressure should be approximately 30-40 psi.
2. Ensure the vinyl water tubes are properly inserted into the blade guard holes and are clear of any obstructions.
3. Turn water source on (Figure 43).

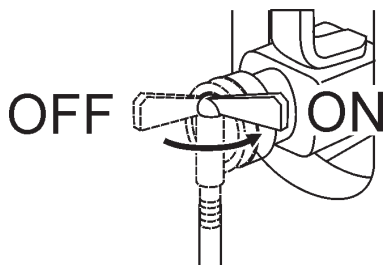


Figure 43. On-board Water Tank ON/OFF Valve

4. Open the **water system valve** on the left side of the console by moving the lever to the **ON** position (Figure 44) and ensure the water is flowing equally to both sides of the diamond blade.

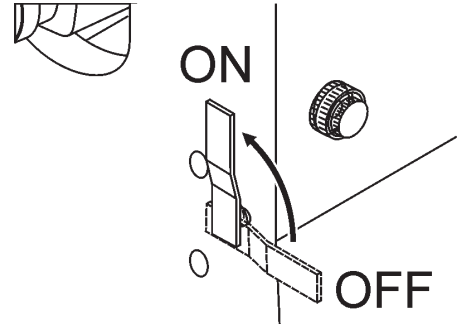


Figure 44. Water System ON/OFF Valve

5. Align the saw along the cut line utilizing the front pointer.

CAUTION

ALWAYS saw in a straight line only. **SERIOUS DAMAGE** to the blade or saw may occur if the saw is twisted or forced to cut radius shapes.

6. Slowly lower the diamond blade onto the cut line by cranking the **Raise/Lower handle** **CLOCKWISE** (Figure 37). When the handle can no longer be turned, the blade will be at its full rated depth.

WARNING

If the water supply to your blade is interrupted, **STOP** cutting **immediately** to prevent damage to your blade and/or saw.

If the engine stalls for **ANY** reason during cutting, raise the blade out of the cut before restarting.

7. For self-propelled models, follow steps 1-4 of the **Traveling During Cutting (Self-Propelled)** section.

For push models, use the **Traveling During Cutting (Push)** instructions.

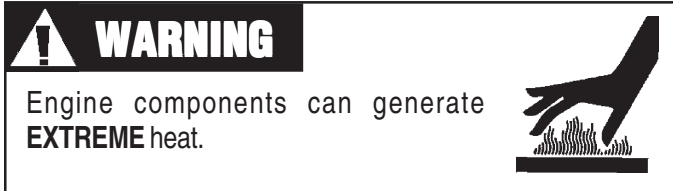
8. The rotation of the blade creates a tendency for the saw to slightly pull in a particular direction. To ensure a straight line of sawing, apply pressure against the appropriate side of the handle bar as you slowly advance the saw forward.

CAUTION

DO NOT force the blade into the cut any faster than its design will allow. This can damage your blade and/or your machine.

Finishing A Cut

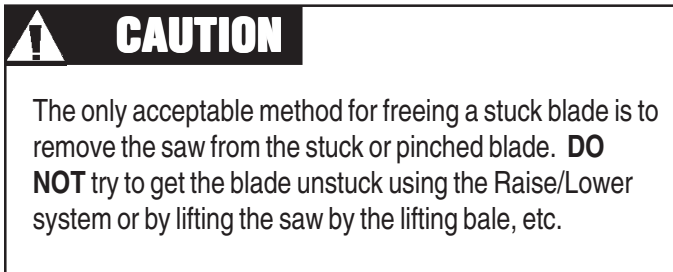
1. Raise the blade out of the cut by cranking the **Raise/Lower handle COUNTER-CLOCKWISE** (Figure 21). Raise the blade high enough out of the cut to clear the surface and allow the saw to be maneuvered.
2. Shut the engine down according to the **SHUT-DOWN PROCEDURES** in the next section.



Restarting After Intervention

If cutting is interrupted where the engine stops or is turned off while the blade is still in the cut:

- a. Turn engine Shutdown switch on handlebar to the "**OFF**" position.
- b. Raise the blade out of the cut
- c. Restart the engine as described in the Start-Up sections.



If cutting is interrupted where the blade is stuck in the cut:

- a. Turn Engine Off switches to "**OFF**".
- b. Remove the blade guard.
- c. Remove blade mounting bolt and outer flange.
- d. Maneuver the saw away from the stuck blade.
- e. A parallel cut made next to the blade may be necessary to free it.
- f. Once the blade is freed inspect the blade for damage; discard if damaged.
- e. Ensure an undamaged, useable blade is installed on the saw before cutting is resumed with that saw.

STOW CUTTER 3 CE SAW — SHUT-DOWN PROCEDURES

Stopping the Engine (Push Model)

Stopping the engine under normal conditions:

1. Place the **engine throttle lever** (Figure 45) in the **SLOW** position, and listen for the engine speed to decrease. Allow engine to run for 2 or 3 minutes for proper cooldown.

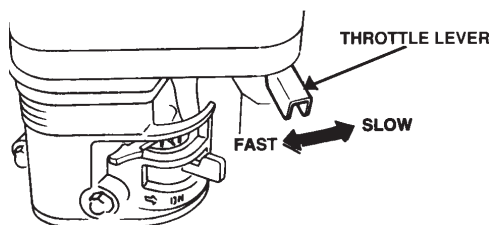


Figure 45. Throttle Lever

2. Turn the **engine Shutdown switch** located on the handlebars (Figure 46) to the "OFF" position. Shutting the engine off using this switch confirms that it is functioning properly.

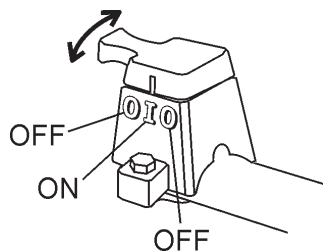


Figure 46. Engine Shutdown Switch (handlebars)

3. Turn the **engine ON/OFF switch** (Figure 47) to the "OFF" position.

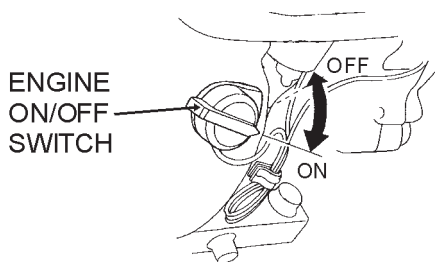


Figure 47. Engine ON/Off Switch (engine)

4. Place the fuel valve lever (Figure 48) to the **OFF** position.

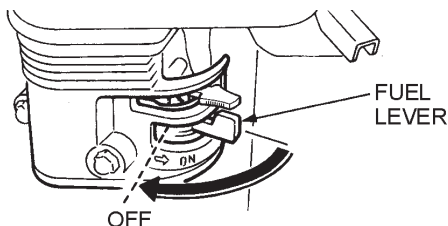


Figure 48. Fuel Valve Lever (Off Position)

Stopping the Engine (Self-Propelled Models)

Stopping the engine under normal conditions:

1. Disengage the drive by placing the **forward/reverse speed lever** (Figure 49) in the **NEUTRAL** position.

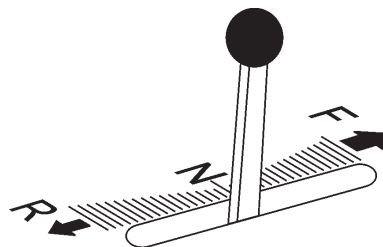


Figure 49. Speed Lever (Neutral Position)

2. Place the **engine throttle lever** (Figure 45 or Figure 50) in the **SLOW** position, and listen for the engine speed to decrease. Allow engine to run for 2 or 3 minutes for proper cooldown.

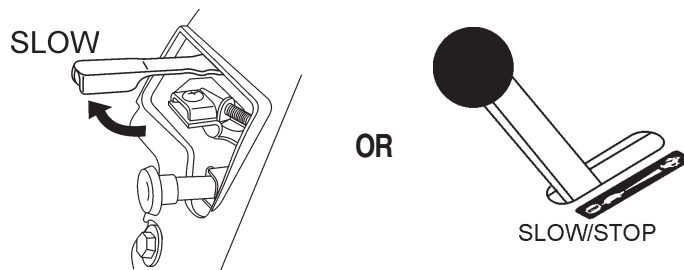


Figure 50. Throttle Lever (Slow Position)

3. Turn the **engine Shutdown switch** located on the handlebars (Figure 46) to the "OFF" position. Shutting the engine off using this switch confirms that it is functioning properly.
4. Turn the **engine ON/OFF switch** (Figure 47 or Figure 51) to the "OFF" position. The Ignition Switch on Electric-Start models must be turned off to prevent unwanted battery discharge.

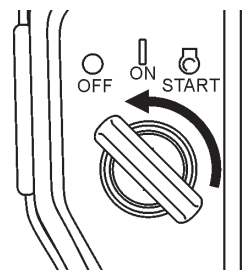


Figure 51. Ignition Switch (OFF Position)

5. Place the fuel valve lever (Figure 48) to the **OFF** position.

STOW CUTTER 3 CE SAW — MAINTENANCE

Maintenance

See the engine manual supplied with your machine for appropriate engine maintenance schedule and troubleshooting guide for problems.



WARNING

General maintenance practices are crucial to the performance and longevity of your saw. The extreme environments of sawing operations require routine cleaning, lubrication, belt tensioning, and inspection for wear and damage

The following procedures devoted to maintenance can prevent serious saw damage or malfunctioning. Before servicing or inspection, **ALWAYS** park the saw on a level surface with the blade removed, and the Console Engine **ON/OFF** switch & Engine **ON/OFF** switch in “**OFF**” position.



Some maintenance operations may require the engine to be run. Ensure that the maintenance area is well ventilated. Exhaust contains poisonous carbon monoxide gas that can cause unconsciousness and may result in **DEATH**.



CAUTION

ALWAYS allow the engine to cool before servicing. **NEVER** attempt any maintenance work on a **hot!** engine.



General Cleanliness

Clean the machine daily. Remove all dust and slurry build up. If the saw is steam cleaned, ensure that lubrication is accomplished **AFTER** steam cleaning operations.

WARNING

ALWAYS ensure that both **ENGINE ON/OFF** switches (on the handlebar and on the engine) are in the “**OFF**” position, and that the spindle has **COMPLETELY STOPPED ROTATING** before performing any of the the following operations:



- **REMOVING** or **INSTALLING** blades
- **ADJUSTING** front or rear pointers
- **LUBRICATING** any components
- **REMOVING** engine mounting bolts
- **INSPECTING, ADJUSTING, OR REPLACING** drivebelt, spindle, spindle bearings or **ANY** engine part
- **REMOVING** blade or belt guards



General Engine Care

Engine check:

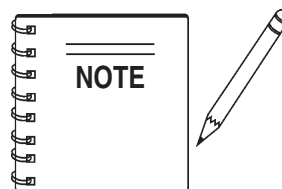
Check daily for any oil and/or fuel leakage, thread nut & bolt tightness, and overall cleanliness.

Engine oil:

Check daily. Inspect with blade removed and saw frame level on a level surface. Keep the oil clean, and at the proper servicing level (Figure 7). **DO NOT OVERFILL!** SAE 10W-30 of SG is recommended for general use.

Engine oil change:

Change engine oil the first month or 20 hours of operation. Then every 3 months/or 50 HOURS of operation. See Engine Owner's Manual for detailed information.



ALWAYS dispose of used oil in a responsible manner. Ensure that the disposition of all hazardous waste is handled properly. Call your Recycling Center for information about recycling engine oil.

Saw Blade Removal and Installation

See page 22.

Engine air filter:

See Engine Owner's Manual for detailed information.

STOW CUTTER 3 CE SAW — MAINTENANCE

Engine tank & strainer:

Clean every year/or 300 hours.

Fuel line:

Replace every two years/or as necessary.

Spark plug:

Clean/adjust every 6 months/or 100 hours. Replace every year/ or 300 hours.

Bearing Lubrication Care

There are four grease points for the Cutter 3 CE saw. [Use only Premium Extreme Pressure Grease, conforming to NLG1 Grade #2 consistency.]

Rear Wheels (1):

Grease daily, see Undercarriage Assy., item 10

Blade Shaft Bearings (2):

Grease daily, see Blade Shaft Assy., item 15

Raise/Lower Adjust Tube (1):

Grease daily, see Raise/Lower Assy., item 2

General Transmission Care (Self-Propelled Models only)

All Cutter 3 CE model saws utilize spline gear wheel design coupled with an EATON Model 7 Hydrostatic Transmission that provides forward/reverse propulsion. The simple design of the system keeps maintenance to a minimum.

Transmission Reservoir Cup:

Check every 8 hours of operation. When the transmission is **cold** (A), check oil level against the level indicator (see Figure 52).

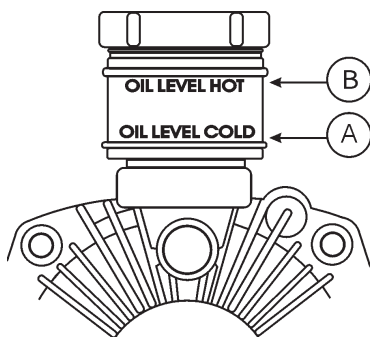


Figure 52. Transmission Reservoir

Servicing:

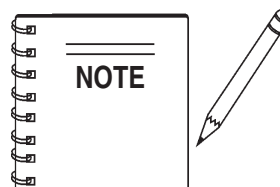
The transmission reservoir is factory filled. Should servicing be required, use SAE20W-20, API classification (SE,CC,CD) or better, General Motors Dexron B, Ford M2C-33F, M2C-41A or International Harvester Hy-Tran fluids. For extreme **hot weather**, drain oil and refill with an oil having a viscosity of SAE30W-30 or SAE40W-40.

Drive Chain:

Check every 50 hours. Periodically wipe the chain clean and re-lubricate with penetrating chain oil.

The drive chain may stretch requiring tension adjustments. To adjust the drive chain tension:

1. Loosen the (3) transmission attachment screws (Hydrostatic Transmission Assy., item 2)
2. Pivot the transmission in the “**U**” slots of the **transmission mount** until the proper tension is achieved (Hydrostatic Transmission Assy., item 7).



Excessive tension on the drive chain will reduce chain life.

Spline Gear Wheels:

Check every 25 hours and clean as necessary. If the spline wheels **DO NOT** engage the **rear wheels** with sufficient pressure, slippage of the rear wheels may occur.

To adjust the **Spline Gear Assembly**:

1. Place the **transmission engage/disengage lever** in the **DISENGAGE** position (Figure 53).

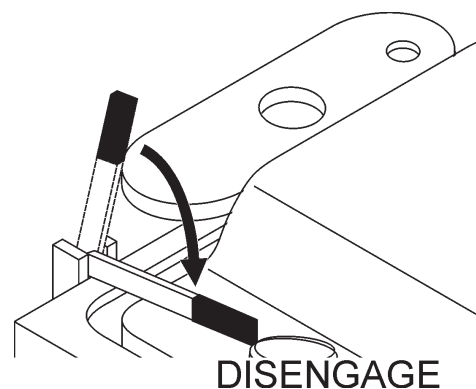


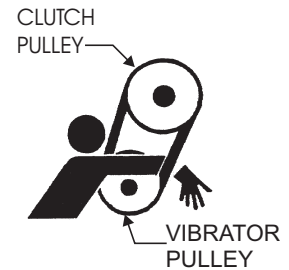
Figure 53. Transmission Engage/Disengage Lever (Disengage Position)

STOW CUTTER 3 CE SAW — MAINTENANCE

- Loosen the linkage adjustment nut and **slightly** lengthen the linkage rod (see Transmission Engage Lever Assy., items 11 and 13).
- Move the **transmission engage/disengage lever** to the **ENGAGE** position to observe the proper spline-to-rear wheel contact.
- Retighten the adjustment nut.
- Retighten the (4) 1-1/2" (38.1 mm) HHC screws.
- Replace all guards and covers.

WARNING

NEVER attempt to check the V-belt with the engine running. Severe injury can occur if your hand gets caught between the V-belt and the clutch. Always use safety gloves.



Drive V-Belt Check

The V-Belts of the Cutter 3 CE saw have been factory set utilizing precision standards. Operating the saw with less than the specified number of V-belts (See Table 6), or belts that are **slipping** or are **over-tensioned** will significantly diminish the performance of the saw, and may cause damage to the blade.

Drive V-Belt(s) Replacement & Tension Adjustments

Reference Pointers and Covers Assembly, Blade Shaft Assembly, and Engine Mount Assembly for this operation.

- Remove the **Belt Guard** (Pointers and Covers Assy., item 15), then loosen the tension of the V-Belts
- Loosen the (4) 1-1/2" (38.1 mm) HHC screws (Engine Mount Assy., item 5).
- Loosen and back-off the **Engine Mount Carriage Bolt** (Engine Mount Assy., item 1) from the frame to permit the **Engine Base Plate** (Engine Mount Assy., item 9) to pivot.
- Pivot the Engine Base Plate to provide slack in the Drive V-belts.
- Remove/Replace the required V-belts (See Table 6).
- Rotate the engine back into place and tighten the Engine Mount Carriage Bolt.
- Adjust for the correct V-belt tension (See Figure 54).

CORRECT V-BELT TENSION 3/8 IN.
(10 MM) TO 1/2 IN. (13 MM) WHEN DEPRESSED
AT MIDPOINT AS SHOWN

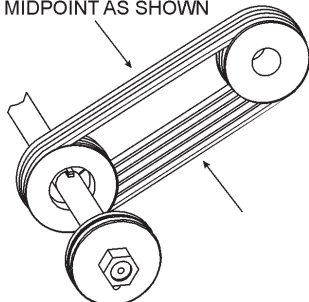


Figure 54. V-Belt Adjustment/Tension

Adjust V-Belt Alignment/Replacement Pulleys

The V-belts and their respective pulleys have been professionally aligned at the factory. If there is a requirement to remove/replace or adjust the pulleys, proceed with the following instructions.

- Select the proper sized pulley both in outside diameter and arbor size. **Use approved parts to ensure the component compatibility.**
- A change in Pulley diameters may require specifically sized V-Belts. **Contact Multiquip Service Department to ensure V-Belt compatibility.**
- Complete Drive V-Belt(s) Replacement steps (1 through 4)
- Remove the V-Belts from around the Pulley(s).
- Remove the set screws that secure the pulleys to the respective shafts (PTO shaft) for engine pulley or the (blade shaft) for the blade shaft pulley.
- Remove/replace the pulley by sliding it off the shaft.
- Reorient the new pulley on the shaft, and ensure precise pulley alignment by utilizing an accurate straight edge (see Figures 55 and 56).
- Replace/tighten set screws treated with a drop of **LOCTITE Threadlocker 266.**
- Orient the proper replacement V-Belt(s) around the blade shaft pulley and engine pulley.
- Reference steps 6-9 of the **Drive V-Belt(s) Replacement** steps.

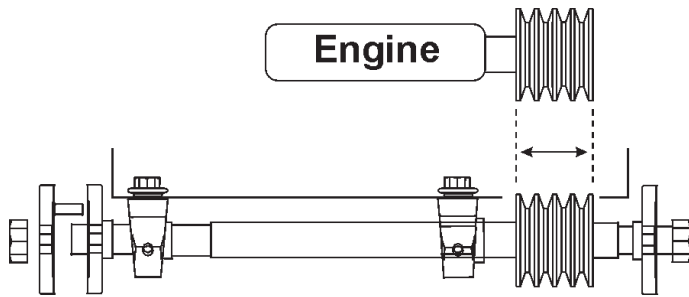


Figure 55. Pulley Alignment

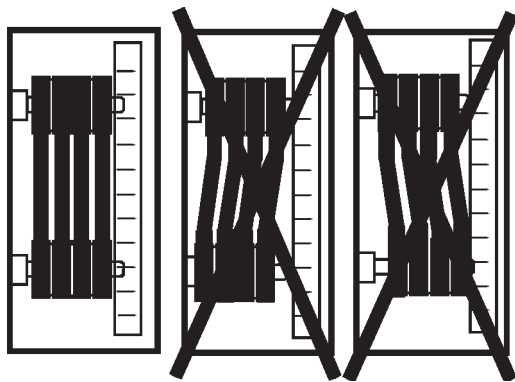


Figure 56. V-Belt Alignment

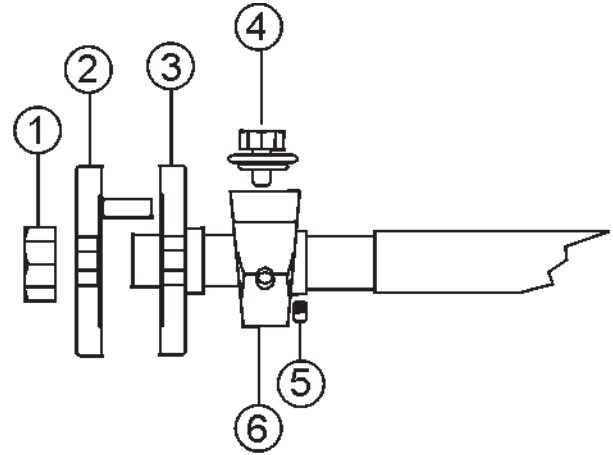


Figure 57. Blade Side Bearing (Right Side)

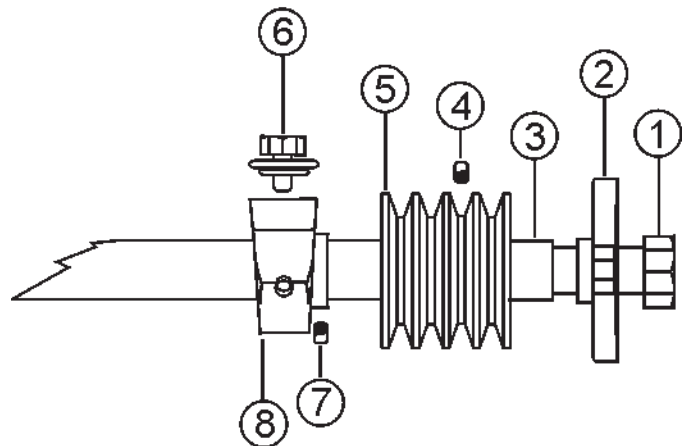


Figure 58. Pulley Side Bearing (Left Side)

Blade Shaft Bearing Replacement

Although the steps for this operation are listed here, it is recommended that this procedure be performed by an authorized service center.

The Cutter 3 CE saw is supported by “tapped base lock collar (w/set screw)” self-aligning **Blade Shaft Bearings** (Figures 57 and 58). These heavy duty bearings support the 1-1/4 blade shaft, and have grease (zerk) points conveniently located for service.

1. Replace both left & right bearings. Never replace one and not the other.
2. Follow steps 1 thru 4 of Drive V-Belt(s) Replacement & Tension Adjustments.
3. Remove Drive V-belts.

Reference Figure 57 & Figure 58 for steps 4-9

4. Remove **Blade Hex Nuts** (Figures 57 & 58, item 1) and

Outside/Inside Blade Flanges (Figures 57, item 2 & 3)

5. Loosen **set screws** (Figure 58, item 4) and slide **Pulley** (Figure 58, item 5) off the Blade Shaft. Loosen Bearing set screw, remove **Bearing Bolt** (Figure 58, item 6) and slide the **Blade Shaft Bearing** (Figure 58, item 8) off the blade shaft.
6. Loosen **set screws** (Figure 57, item 5), remove **Bearing Bolt** (Figure 57, item 4) and slide the **Blade Shaft Bearing** (Figure 57, item 6) off the blade shaft.
7. Replace **Blade Shaft Bearings** and reassemble the Blade Shaft Assembly.
8. Re-tension Drive V-belts as shown in the Drive V-Belt(s) Replacement & Tension Adjustments section.
10. Replace all guards and covers.

STOW CUTTER 3 CE SAW — MAINTENANCE

Battery Maintenance

Mishandling of the battery shortens the service life of the battery and adds to maintenance cost. When handling the battery do the following:

- Be careful not to let the battery electrolyte come in contact with your body or clothing.
- Always wear **eye protection** and **rubber gloves**, since the battery contains sulfuric acid which burns skin and eats through clothing.
- Always check the battery terminals periodically to ensure that they are in good condition.
- Use wire brush or sand paper to clean the battery terminals.
- Always check battery for cracks or any other damage. If white pattern appears inside the battery or paste has accumulated at the bottom, replace the battery.
- If the pump will not be in operation for a long period of time, store in cool dry place and check the battery charge level every month to maintain the performance of the battery.

! WARNING

Wear **safety glasses** or **face mask**, **protective clothes**, and **rubber gloves** when working with battery.



- Check the battery regularly and make sure that each electrolyte level is to the bottom of the vent well (Figure 59). If necessary add only distilled water in a well-ventilated area.

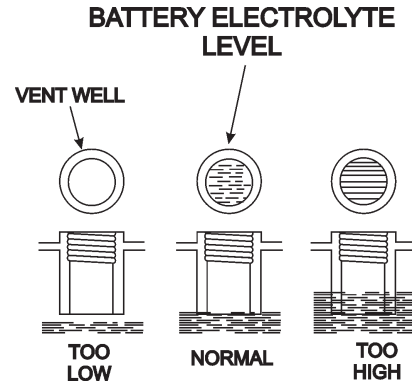



Figure 59. Battery Electrolyte Levels

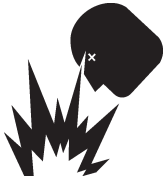
! WARNING

Electrolyte is an acid and must be handled with caution. Servicing instructions from the electrolyte manufacturer must **ALWAYS** be followed to ensure safety. Serious injury can result from careless handling and noncompliance to safety handling instructions.



Overfilling the battery may cause the electrolyte to overflow resulting in corrosion to nearby components. Immediately wash off any spilled electrolyte (battery acid).

Additionally, when connecting the positive (+) cable to the battery's positive (+) terminal post, **DO NOT** allow contact of the wrench or any metallic part to come in contact with the battery's negative (-) terminal post. This may result in an electrical short circuit or an explosion.



Decommissioning Saw/Components

Decommissioning is a controlled process used to safely retire a piece of equipment that is no longer serviceable. If the equipment poses an unacceptable and unrepairable safety risk due to wear or damage or is no longer cost effective to maintain, (beyond life-cycle reliability) and is to be decommissioned, (demolition and dismantlement), the following procedure must take place:

1. Drain all fluids completely. These may include oil, gasoline, hydraulic oil and antifreeze. Dispose of properly in accordance with local and governmental regulations. Never pour on ground or dump down drains or sewers.
2. Remove battery and bring to appropriate facility for lead reclamation. Use safety precautions when handling batteries that contain sulfuric acid.
3. The remainder can be brought to a salvage yard or metal reclamation facility for further dismantling.

STOW CUTTER 3 CE SAW — 13HP ENGINE WIRING DIAGRAM (RECOIL START)

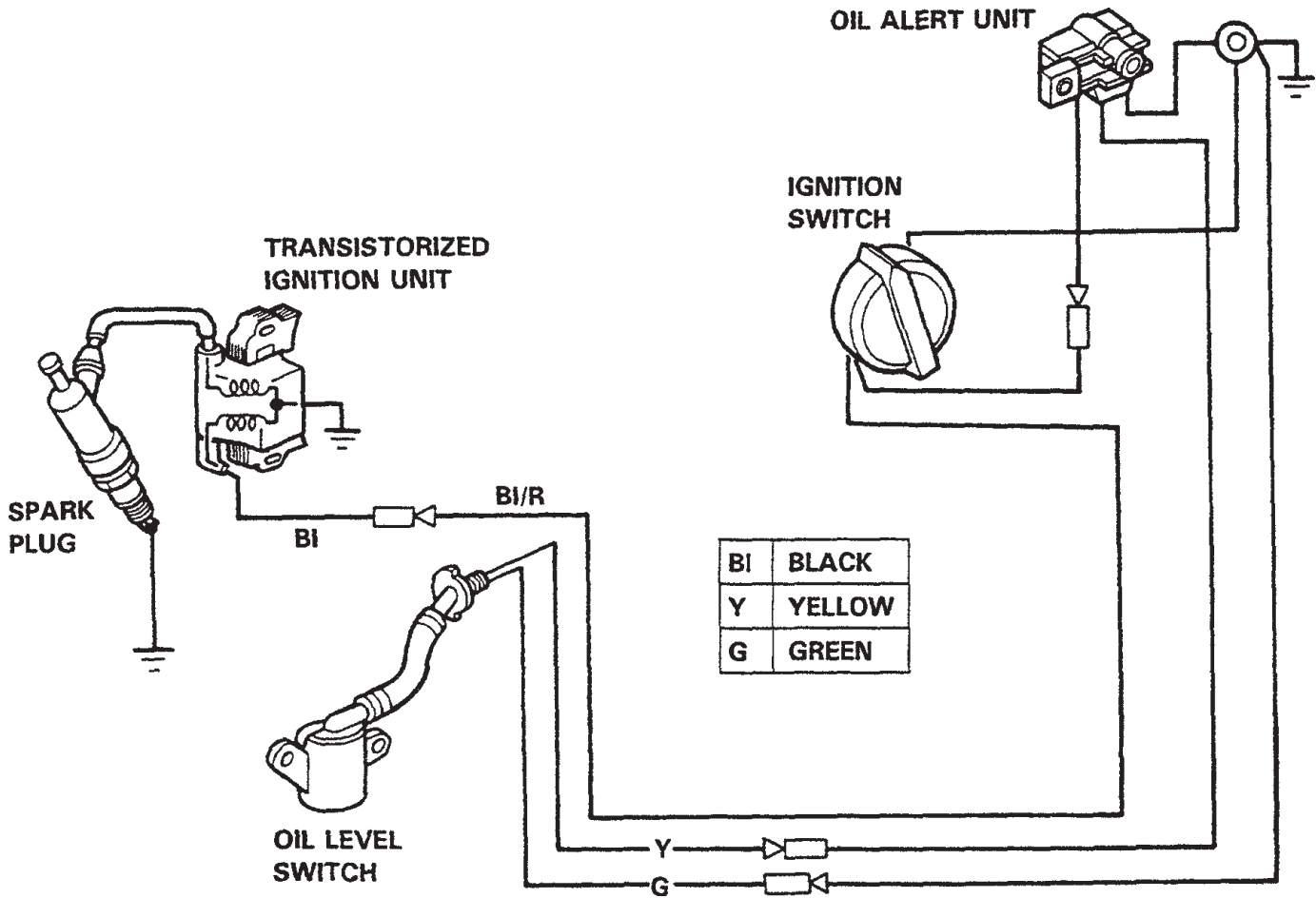
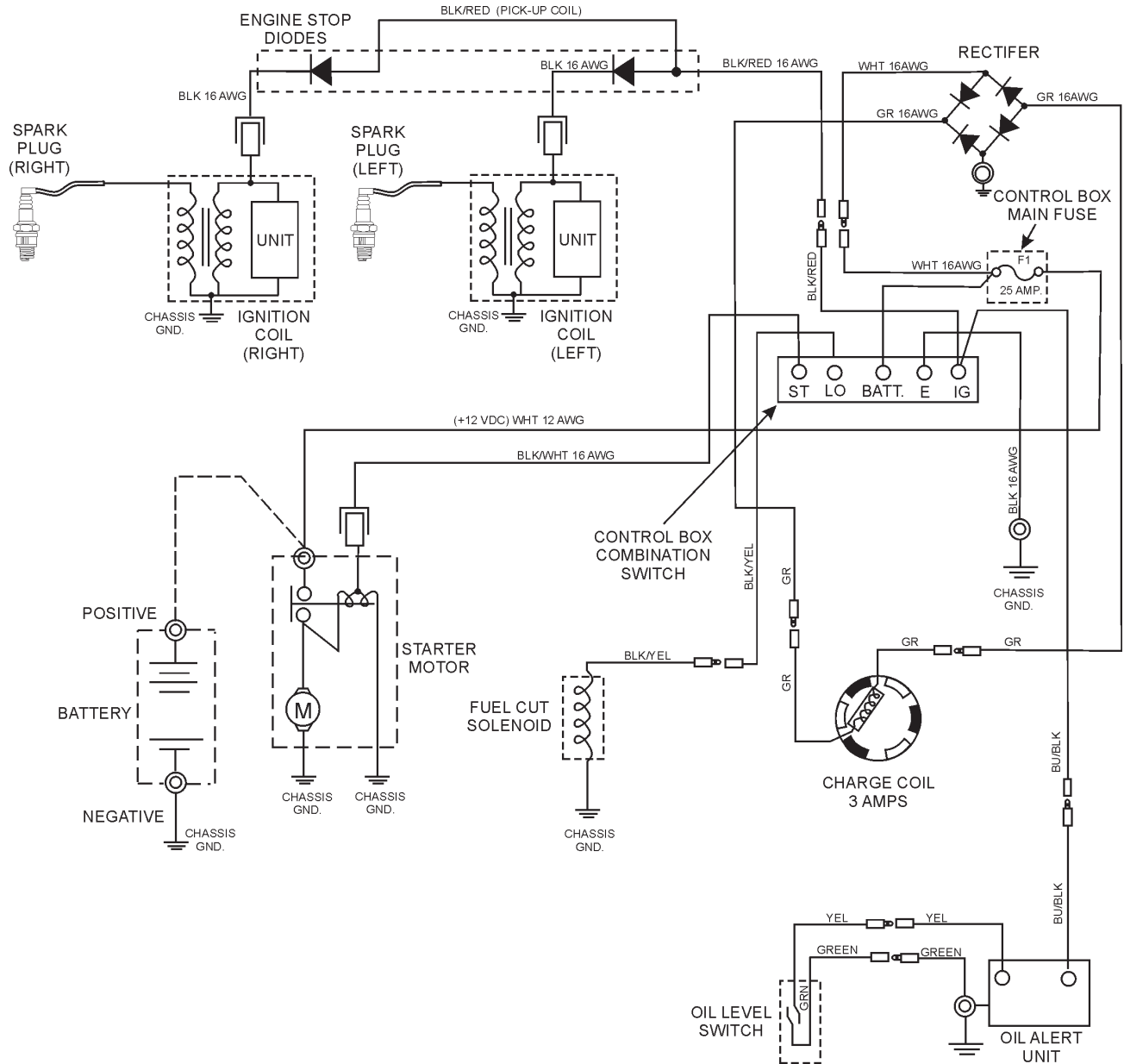


Figure 60. 13HP Honda Engine Wiring Diagram

STOW CUTTER 3 CE SAW — 20HP ENG. WIRING DIAGRAM (ELECTRIC START)



COMBINATION SWITCH CONTINUITY

| COLOR CODE | |
|------------|--------|
| BLK | BLACK |
| WHT | WHITE |
| RED | RED |
| YEL | YELLOW |
| GRN | GREEN |
| GRAY | GRAY |
| BU | BLUE |

| | IG | E | BAT | LO | ST |
|-----|-----|---|-----|-----|-----|
| OFF | ○—○ | | | | |
| ON | | | ○—○ | | |
| ST | | | ○—○ | ○—○ | ○—○ |

Figure 61. 20HP Honda Engine Wiring Diagram

STOW CUTTER 3 CE SAW — TROUBLESHOOTING (ENGINE)

Practically all breakdowns can be prevented by proper handling and maintenance inspections, but in the event of a breakdown, please take a remedial action following the diagnosis based on the Engine Troubleshooting (Table 8) information shown below and on the proceeding page. If the problem cannot be remedied, please leave the unit just as it is and consult our company's business office or service plant.

TABLE 8. ENGINE TROUBLESHOOTING

| SYMPTOM | POSSIBLE CAUSE | SOLUTION |
|---|---|--|
| Difficult to start, "fuel is available, but no SPARK at spark plug". | Spark plug bridging? | Check gap, insulation or replace spark plug. |
| | Carbon deposit on spark plug? | Clean or replace spark plug. |
| | Short circuit due to deficient spark plug insulation? | Check spark plug insulation, replace if worn. |
| | Improper spark plug gap? | Set to proper gap. |
| Difficult to start, "fuel is available, and SPARK is present at the spark plug". | Console or engine ON/OFF switch is shorted? | Check switch wiring, replace switch. |
| | Ignition coil defective? | Replace ignition coil. |
| | Improper spark gap, points dirty? | Set correct spark gap and clean points. |
| | Condenser insulation worn or short circuiting? | Replace condenser. |
| | Spark plug wire broken or short circuiting? | Replace defective spark plug wiring. |
| Difficult to start, "fuel is available, spark is present and compression is normal" | Wrong fuel type? | Flush fuel system, and replace with correct type of fuel. |
| | Water or dust in fuel system? | Flush fuel system. |
| | Air cleaner dirty? | Clean or replace air cleaner. |
| Difficult to start, "fuel is available, spark is present and compression is low" | Suction/exhaust valve stuck or protruded? | Re-seat valves. |
| | Piston ring and/or cylinder worn? | Replace piston rings and or piston. |
| | Cylinder head and/or spark plug not tightened properly? | Torque cylinder head bolts and spark plug. |
| | Head gasket and/or spark plug gasket damaged? | Replace head and spark plug gaskets. |
| No fuel present at carburetor. | Fuel not available in fuel tank? | Fill with correct type of fuel. |
| | Fuel cock does not open properly? | Apply lubricant to loosen fuel cock lever, replace if necessary. |
| | Fuel filter clogged? | Replace fuel filter. |
| | Fuel tank cap breather hole clogged? | Clean or replace fuel tank cap. |
| | Air in fuel line? | Bleed fuel line. |

STOW CUTTER 3 CE SAW — TROUBLESHOOTING (ENGINE)

TABLE 8. ENGINE TROUBLESHOOTING (CONTINUED)

| SYMPTOM | POSSIBLE CAUSE | SOLUTION |
|---|--|---|
| "Weak in power" compression is proper and does not misfire. | Air cleaner not clean? | Clean or replace air cleaner |
| | Improper level in carburetor? | Check float adjustment, re-build carburetor. |
| | Defective Spark plug? | Clean or replace spark plug. |
| | Defective Spark plug? | |
| "Weak in power" compression is proper but misfires. | Water in fuel system? | Flush fuel system, and replace with correct type of fuel. |
| | Dirty spark plug? | Clean or replace spark plug. |
| | Ignition coil defective? | Replace ignition coil. |
| Engine overheats. | Spark plug heat value improper? | Replace with correct type of spark plug. |
| | Correct type of fuel? | Replace with correct type of fuel |
| | Cooling fins dirty? | Clean cooling fins. |
| Rotational speed fluctuates. | Governor adjusted correctly? | Adjust governor. |
| | Governor spring defective? | Replace governor spring. |
| | Fuel flow restricted? | Check entire fuel system for leaks or clogs. |
| Recoil starter malfunction. | Recoil mechanism clogged with dust and dirt? | Clean recoil assembly with soap and water. |
| | Spiral spring loose? | Replace spiral spring. |

STOW CUTTER 3 CE SAW — TROUBLESHOOTING (BLADE)

Practically all breakdowns can be prevented by proper handling and maintenance inspections, but in the event of a breakdown, please take a remedial action following the diagnosis based on the Blade Troubleshooting (Table 9) information shown below and on the proceeding page. If the problem cannot be remedied, please leave the unit just as it is and consult our company's business office or service plant.

TABLE 9. BLADE TROUBLESHOOTING

| SYMPTOM | POSSIBLE CAUSE | SOLUTION |
|--|--|---|
| Blade slows or Stops cutting, still remains on blade. | Blade too hard for the material being cut. | Consult Dealer or Multiquip for correct blade. Try cutting very soft material (sandstone, silica brick, cinder block) to "Redress" the blade. |
| | Engine Torque diminished because of loose V-Belts. | Tighten and/or replace V-Belts. |
| | Insufficient Engine power. | Check Throttle setting. Check Engine horsepower. |
| | Improper direction of rotation. | Check that the blade is oriented, and rotational arrow points in a "Down-Cutting" direction. |
| | Blade is slipping on the blade shaft. | Check that the blade & flange pin is properly installed on the blade shaft. |
| Blade does not cut straight and/or true. | Blade being used on misaligned saw. | Check blade shaft bearings and alignment integrity. |
| | Blade is excessively hard for the material being cut. | Check specifications of the blade with the material being cut. Consult Dealer or Multiquip for information. |
| | Blade being used at improper RPM. | Ensure blade surface feet per minute speed (SFPM) is approximately 6,000. |
| | Blade improperly mounted on arbor shoulders and flanges. | Ensure blade is properly affixed on the blade shaft. |
| | Excessive force applied to blade while cutting. | Do not force the blade in the cut. Apply a slow/steady pace to sawing.. |
| Blade discoloring, crackling and/or wearing excessively. | Blade too hard for the material being cut. | Consult Dealer or Multiquip for correct blade. Try cutting very soft material (sandstone, silica brick, cinder block) to "Redress" the blade. |
| | Blade improperly mounted on arbor shoulders and flanges. | Ensure blade is properly affixed on the blade shaft. Ensure the blade flanges are clean & free of debris. |
| | Blade not receiving enough cooling water or air. | Ensure proper flow & volume of water is provided for wet cutting blades. Ensure sufficient cooling air is circulated about a dry cutting blade. |
| | Arbor hole out of round | Ensure blade is properly affixed on the blade shaft. |
| | Incorrect blade chosen for material being cut. | Check specifications of the blade with the material being cut. Consult Dealer or Multiquip for information. |
| | Excessive force applied to blade while cutting. | Do not force the blade in the cut. Apply a slow/steady pace to sawing. |

STOW CUTTER 3 CE SAW — EXPLANATION OF CODE IN REMARKS COLUMN

How to read the marks and remarks used in this parts book.

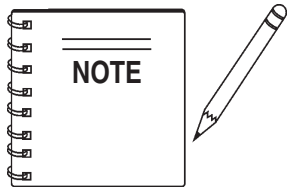
Items Found In the “Remarks” Column

Serial Numbers-Where indicated, this indicates a serial number range (inclusive) where a particular part is used.

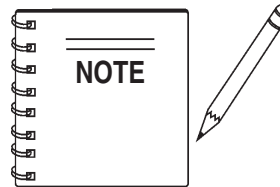
Model Number-Where indicated, this shows that the corresponding part is utilized only with this specific model number or model number variant.

Items Found In the “Items Number” Column

All parts with same symbol in the number column, *, #, +, %, or >, belong to the same assembly or kit.



The contents of this parts catalog are subject to change without notice.



If more than one of the same reference number is listed, the last one listed indicates newest (or latest) part available.

STOW CUTTER 3 CE SAW — SUGGESTED SPARE PARTS

CUTTER 3 SAW (13HP PUSH) 1 to 3 Units

| Qty. | P/N | Description |
|-----------|-------------------|-----------------------------|
| 3 | 16052 | V-BELTS, DRIVE |
| 1 | 29013-001 | WRENCH, BOX END 1-1/2 IN. |
| 1 | 60087 | ROPE, FRONT POINTER 1/4 IN. |
| 2 | 15081 | GRIPS, HANDLE BAR 1 IN. |
| 1 | 06922-003 | BLADE SHAFT NUT, RIGHT SIDE |
| 1 | 07038-016 | BLADE SHAFT NUT, LEFT SIDE |
| 1 | 26928-002 | OUTER BLADE FLANGE |
| 3 | 17210ZE3505 | ELEMENT, AIR CLEANER |
| 3 | 9807956846 | SPARK PLUG |
| 1 | 17620ZH7023 | CAP, FUEL TANK |
| 1 | 28462ZV7003 | ROPE, RECOIL STARTER |

CUTTER 3 SAW (20HP SELF-PROPELLED) 1 to 3 Units

| Qty. | P/N | Description |
|-----------|---------------------|-----------------------------|
| 3 | 15897 | V-BELTS, DRIVE |
| 1 | 07055-051 | V-BELTS, TRANSMISSION |
| 1 | 29013-001 | WRENCH, BOX END 1-1/2 IN. |
| 1 | 60087 | ROPE, FRONT POINTER 1/4 IN. |
| 2 | 15081 | GRIPS, HANDLE BAR 1 IN. |
| 1 | 06922-003 | BLADE SHAFT NUT, RIGHT |
| 1 | 07038-016 | BLADE SHAFT NUT, LEFT |
| 1 | 26928-002 | OUTER BLADE FLANGE |
| 3 | 17210759013 | ELEMENT, AIR CLEANER |
| 3 | 1540090H305PE | OIL FILTER |
| 3 | 9807956846 | SPARK PLUG |
| 1 | 15229 | CAP, FUEL TANK |
| 1 | 28462ZV7003 | ROPE, RECOIL STARTER |

CUTTER 3 SAW (13HP SELF-PROPELLED) 1 to 3 Units

| Qty. | P/N | Description |
|-----------|-------------------|-----------------------------|
| 3 | 16052 | V-BELTS, DRIVE |
| 1 | 07055-051 | V-BELTS, TRANSMISSION |
| 1 | 29013-001 | WRENCH, BOX END 1-1/2 IN. |
| 1 | 60087 | ROPE, FRONT POINTER 1/4 IN. |
| 2 | 15081 | GRIPS, HANDLE BAR 1 IN. |
| 1 | 06922-003 | BLADE SHAFT NUT, RIGHT SIDE |
| 1 | 07038-016 | BLADE SHAFT NUT, LEFT SIDE |
| 1 | 26928-002 | OUTER BLADE FLANGE |
| 3 | 17210ZE3505 | ELEMENT, AIR CLEANER |
| 3 | 9807956846 | SPARK PLUG |
| 1 | 17620ZH7023 | CAP, FUEL TANK |
| 1 | 28462ZV7003 | ROPE, RECOIL STARTER |

STOW CUTTER 3 CE SAW — NAME PLATE AND DECALS

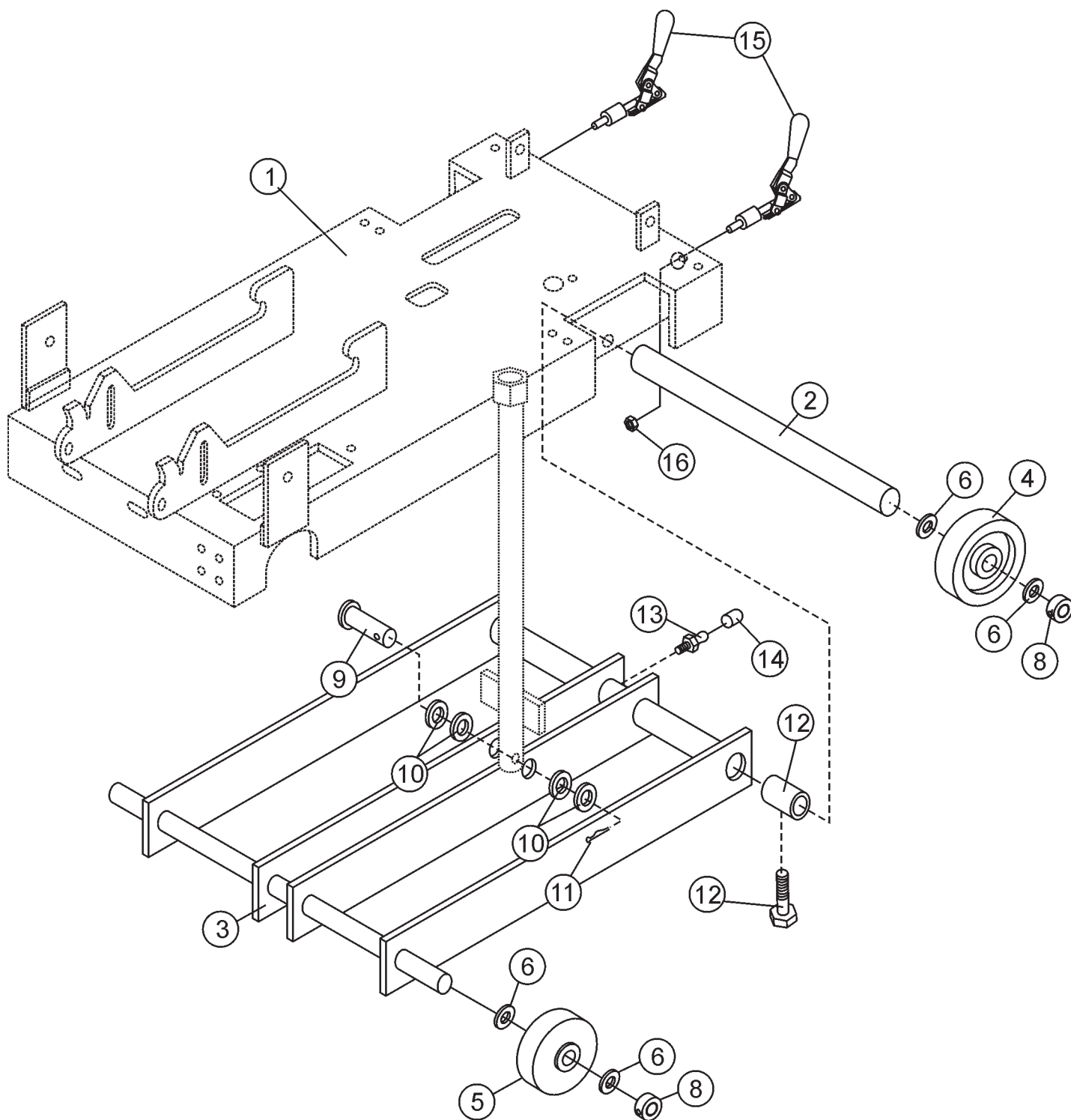
NAME PLATE AND DECALS

| <u>NO</u> | <u>PART NO</u> | <u>PART NAME</u> | <u>QTY.</u> | <u>REMARKS</u> |
|-----------|----------------|---|-------------|--------------------------|
| 1 | 22972-005 | DECAL, STOW (LARGE) | 1 | |
| 2 | 22972-003 | DECAL, STOW (MEDIUM) | 2 | |
| 3 | 22653-003 | DECAL, CUTTER 3 | 2 | |
| 4 | | NAMEPLATE | 1 | CONTACT STOW PARTS DEPT. |
| 5 | 28853-001 | DECAL, FORWARD/REVERSE LEVER | 1 | |
| 6 | 23596-001 | DECAL, RECOMMENDED MAINTENANCE | 1 | |
| 7 | 22122-001 | DECAL, SERIOUS INJURY WARNING | 1 | SAFETY ITEM |
| 8 | 25491 | DECAL, CW ROTATION | 1 | SAFETY ITEM |
| 9 | 35137 | DECAL, READ | 1 | SAFETY ITEM |
| 10 | 25260-001 | DECAL, KEEP FEET CLEAR WARNING | 1 | SAFETY ITEM |
| 11 | 25249-001 | DECAL, KEEP HANDS CLEAR WARNING | 1 | SAFETY ITEM |
| 12 | 13118 | DECAL, POWDER COATED | 1 | |
| 13 | 23330-001 | DECAL, BELT GUARD CAUTION | 2 | SAFETY ITEM |
| 14 | 25867 | DECAL, ROTATION IN DISPLACEMENT | 1 | SAFETY ITEM |
| 15 | 35167 | DECAL, GUARANTEED SOUND POWER 118DB | 1 | SAFETY ITEM |
| 15 | 35166 | DECAL, GUARANTEED SOUND POWER 112DB | 1 | SAFETY ITEM |
| 16 | 11092 | DECAL, CE | 1 | |
| 17 | 35135 | DECAL, DRIVE LEVER | 1 | SELF PROP. ONLY |
| 18 | 35136 | DECAL, BLADE LOWER CW | 1 | SAFETY ITEM |
| 19 | 36099 | DECAL, ISO SAFETY GEAR | 1 | SAFETY ITEM |
| 20 | 29736 | DECAL, THROTTLE LEVER | 1 | |
| 21 | 25678 | DECAL, CCW ROTATION | 1 | SAFETY ITEM |
| 22 | 22972-004 | DECAL, STOW (SMALL) | 1 | |
| A* | | DECAL, BELT DRIVE | 1 | SAFETY ITEM |
| B* | | DECAL, CHECK OIL LEVEL | 1 | |
| C* | | DECAL, HOT | 1 | SAFETY ITEM |
| D* | | DECAL, LUBRICATION | 2 | |

*ITEMS A THROUGH D ARE INCLUDED IN DECAL KIT 11246.

STOW CUTTER 3 CE SAW — UNDER CARRIAGE ASSY.

UNDER CARRIAGE ASSY.



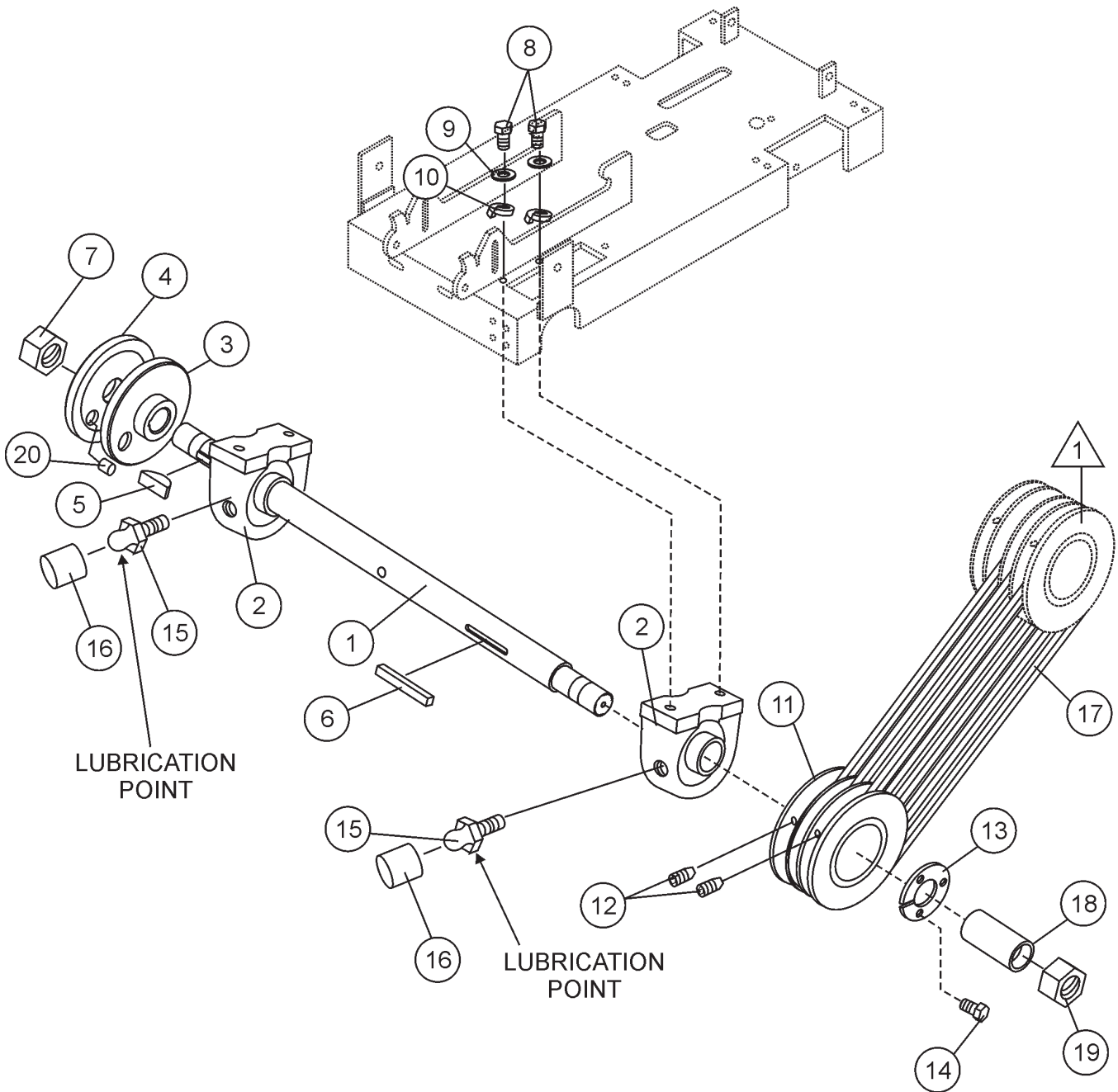
STOW CUTTER 3 CE SAW — UNDER CARRIAGE ASSY.

UNDERCARRIAGE ASSY.

| <u>NO</u> | <u>PART NO</u> | <u>PART NAME</u> | <u>QTY.</u> | <u>REMARKS</u> |
|-----------|----------------|---------------------------------------|-------------|-------------------|
| 1 | 28777-352 | FRAME ASSY. 16"/18"/20" | 1 | |
| 2 | 28781-002 | AXLE, REAR & FRONT | 1 | |
| 3 | 28782-351 | FRAME, UNDERCARRIAGE ASSY. | 1 | |
| 4 | 28086-001 | WHEEL, 8 X 2 .75 ROLLER BEARING REAR | 2 | |
| 5 | 28085-001 | WHEEL, 5 X 2 .75 ROLLER BEARING FRONT | 2 | |
| 6 | 8151 | WASHER, FLAT SAE 3/4 | 8 | |
| 7 | 10065-090 | BEARING PLAIN | 2 | |
| 8 | 25181-001 | COLLAR, SET 0.75 X 1.50 X .50, SPLIT | 4 | |
| 9 | 8081 | PIN, CLEVIS 1/2 X 2-3/4 | 1 | |
| 10 | 0447 | WASHER, FLAT SAE 1/2 | 4 | |
| 11 | 3216 | PIN, COTTER 1/8D X 1 | 1 | |
| 12 | 0685 | SCREW, SHS 5/16-18 X 5/16 | 2 | |
| 13 | 2621 | ZERK, GREASE STR. 1/4-28 | 1 | |
| 14 | 1162 A | CAP, ZERK FITTING | 1 | |
| 15 | 35152 | CLAMP, WHEEL ASSY. | 2 | SAFETY ITEM |
| | | | | INCLUDES ITEM W/# |
| 16# | | NUT, HEX | 2 | SAFETY ITEM |

STOW CUTTER 3 CE SAW — BLADE SHAFT ASSY.

BLADE SHAFT ASSY.



NOTES:

- △ 1 ENGINE PULLEY,
13HP & 20HP HONDA
ENGINE ASSY., ITEM 2

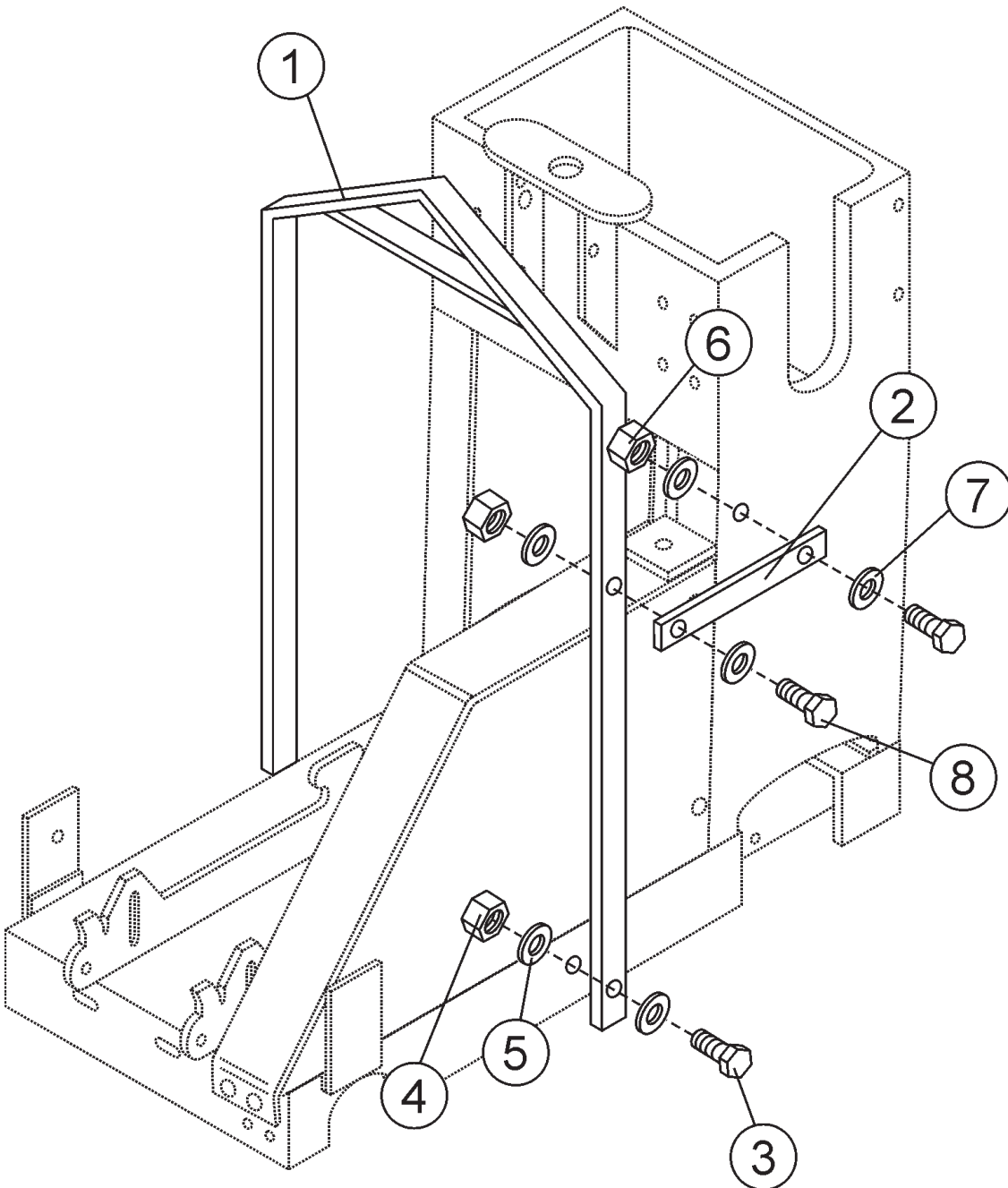
STOW CUTTER 3 CE SAW — BLADE SHAFT ASSY.

BLADE SHAFT ASSY.

| <u>NO</u> | <u>PART NO</u> | <u>PART NAME</u> | <u>QTY.</u> | <u>REMARKS</u> |
|-----------|----------------|---|-------------|--|
| 1 | 28807-002 | SPINDLE, BLADE | 1 | |
| 2 | 28081-001 | BEARING, PILLOW BLOCK 1.25ID AS206-20 | 2 | |
| 3 | 28811-002 | FLANGE, BLADE INSIDE 4.0OD X 1.0ID | 1 | |
| 4 | 26928-002 | FLANGE, BLADE OUTSIDE 1.0ID X5.0OD X 56 | 1 | |
| | 26928-004 | FLANGE, BLADE OUTSIDE 1.0ID X4.0OD X 56 | 1 | |
| 5 | 0125 | KEY, WOODRUFF #15 | 1 | |
| 6 | 6059 B | KEY, 1/4"SQ. X 2", 1018 STOCK | 1 | |
| 7 | 06922-003 | NUT, HEX JAM LH 1-14 PLATED | 1 | |
| 8 | 06502-012 | SCREW, HHC 7/16-14 X 1-1/2 | 4 | |
| 9 | 2955 | WASHER, LOCK 7/16 ZINC | 4 | |
| 10 | 0448 | WASHER, FLAT SAE 7/16 | 4 | |
| 11 | 25172-003 | PULLEY, BLADE SHAFT, 3F3V33X112 | 1 | 13 HP PUSH & 20 IN. SELF-PROP. MODELS |
| 11 | 23280-001 | PULLEY, BLADE SHAFT, 43V4.12 | 1 | 20 IN. SELF-PROP. MODELS |
| 12 | 1528 | SCREW, SHS | 2 | |
| 13 | 28841-001 | BUSHING, SPLIT TYPE | 1 | |
| 14 | 0424 | SCREW, 1/4-20 X 1-1/4 | 3 | |
| 15 | 2621 | ZERK FITTING | 2 | |
| 16 | 1162 A | CAP,GREASE ZERK, #2 RED | 2 | |
| 17 | 16052 | V-BELT, 3V x 335 | 3 | 13 HP PUSH & SELF-PROP. MODELS |
| 17 | 15897 | V-BELT, 3V x 355 | 4 | |
| 18 | 23250-002 | SPACER, SPINDLE | 1 | |
| 19 | 07038-016 | NUT, HEX JAM 1"-14 PLATED | 1 | |
| 20 | 15046 | PIN, DOWEL 3/8 x1-1/4 LG | 1 | |

STOW CUTTER 3 CE SAW — LIFTING BALE ASSY.

LIFTING BALE ASSY.



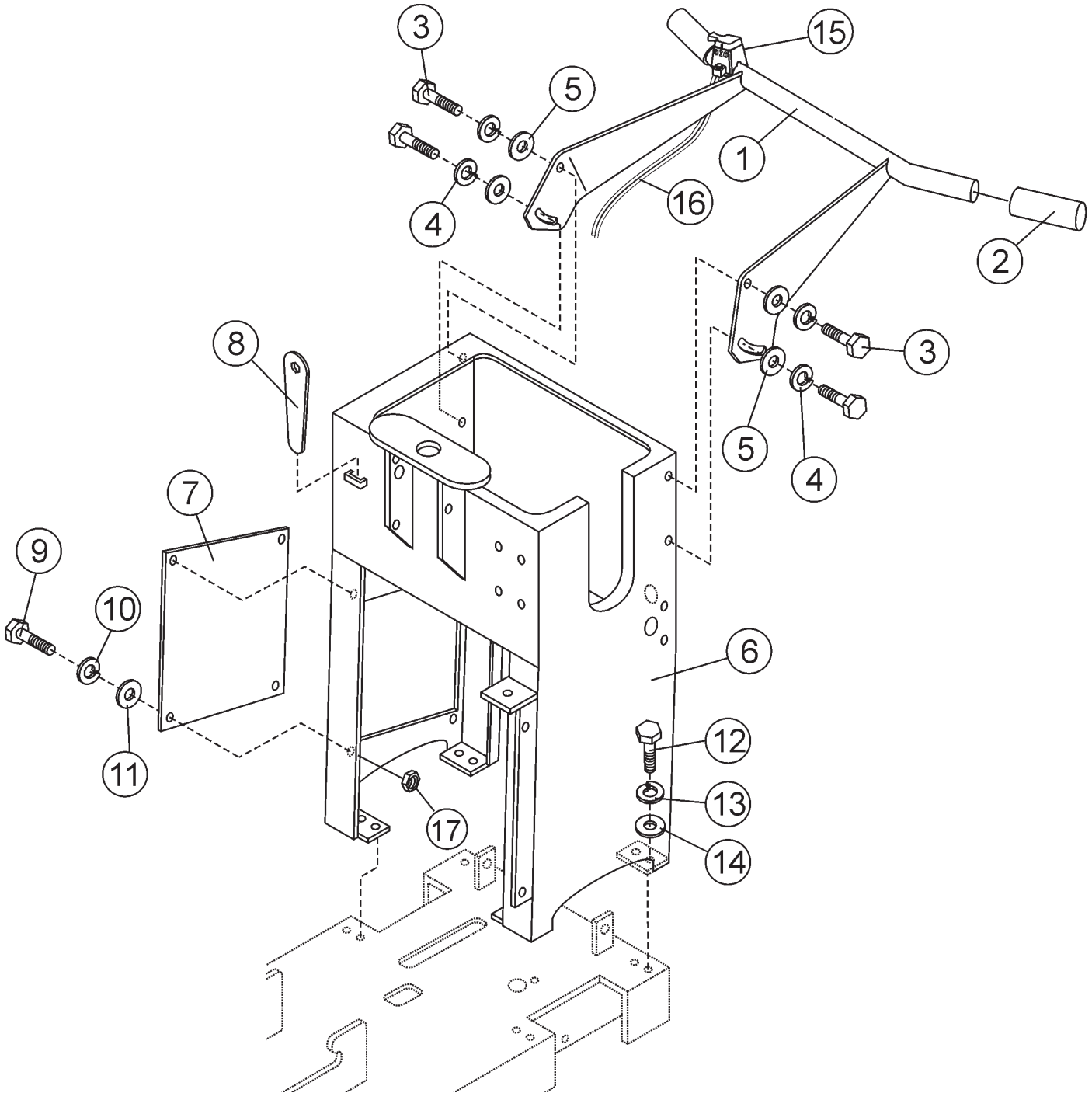
STOW CUTTER 3 CE SAW — LIFTING BALE ASSY.

LIFTING BALE ASSY.

| <u>NO</u> | <u>PART NO</u> | <u>PART NAME</u> | <u>QTY.</u> | <u>REMARKS</u> |
|-----------|----------------|-----------------------------|-------------|----------------|
| 1 | 28890-351 | 13HP, LIFT BALE ASSY. | 1 | |
| 1 | 28890-352 | 20HP, LIFT BAIL ASSY. | 1 | |
| 2 | 28893-001 | BRACE, 13HP BAIL | 1 | |
| 2 | 28893-002 | BRACE, 20HP BAIL | 1 | |
| 3 | 0205 | SCREW, HHC 3/8-16 X 1.0 | 2 | |
| 4 | 10133 | NUT, NYLOC 3/8-16 | 2 | |
| 5 | 10136 | WASHER, FLAT SAE 3/8 | 4 | |
| 6 | 5283 | NUT, NYLOC 5/16-18 | 2 | |
| 7 | 0300 B | WASHER, FLAT SAE 5/16 | 4 | |
| 8 | 0202 | SCREW, HHC 5/16-18 X 1 ZINC | 2 | |

STOW CUTTER 3 CE SAW — CONSOLE ASSY. (PUSH MODELS)

CONSOLE ASSY. (PUSH MODELS)



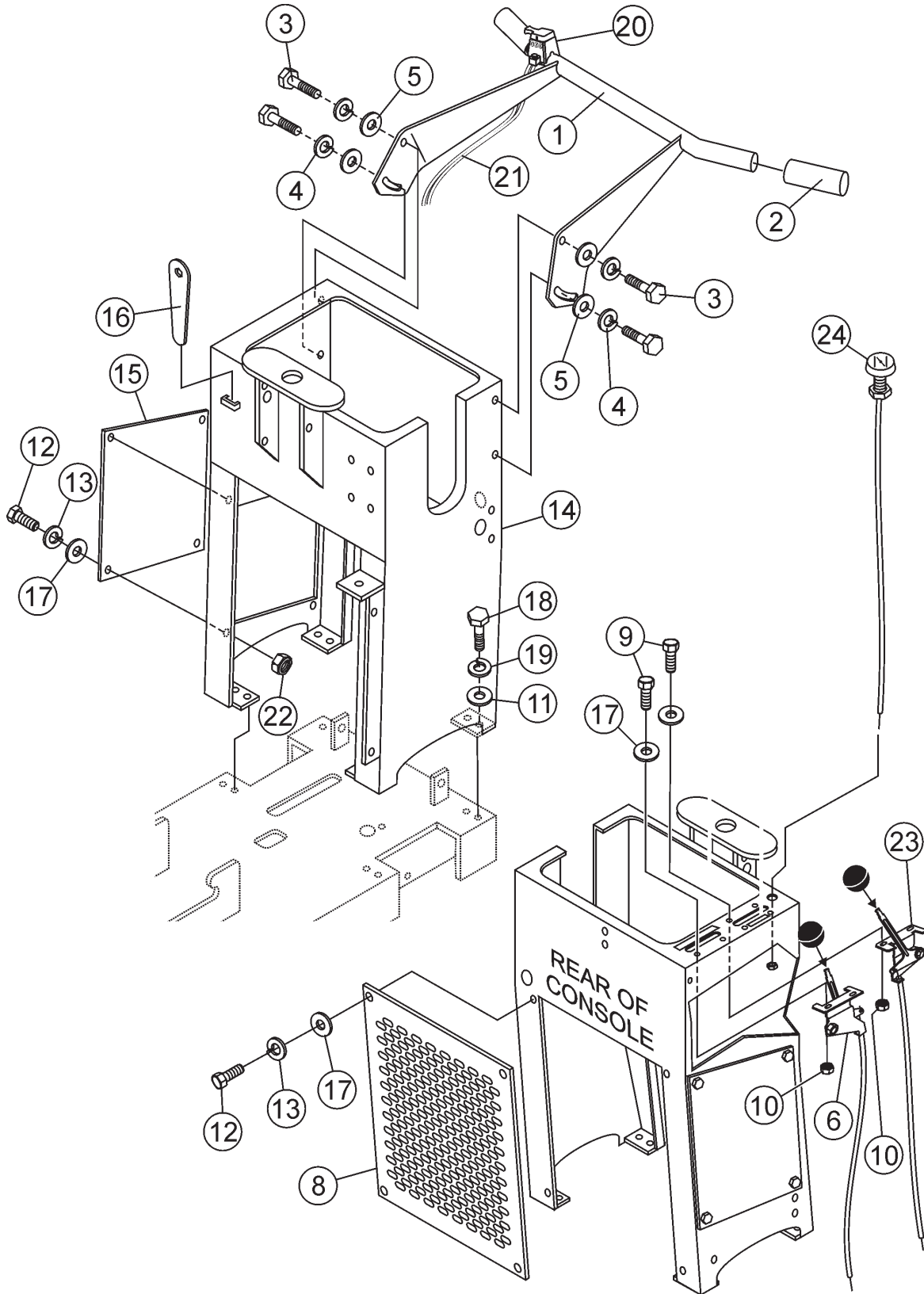
STOW CUTTER 3 CE SAW — CONSOLE ASSY. (PUSH MODELS)

CONSOLE ASSY. PUSH

| <u>NO</u> | <u>PART NO</u> | <u>PART NAME</u> | <u>QTY.</u> | <u>REMARKS</u> |
|-----------|----------------|--------------------------------------|-------------|----------------|
| 1 | 28796-351 | HANDLE ASSY. | 1 | |
| 2 | 15081 | GRIP, 1"ID, H/W #40001610055 | 2 | |
| 3 | 4196 | SCREW, HHC 3/8-16 X .75 | 4 | |
| 4 | 0166 A | WASHER, LOCK 3/8 MED. | 4 | |
| 5 | 10136 | WASHER, FLAT SAE 3/8 | 4 | |
| 6 | 28791-351 | HOUSING ASSY., YELLOW STOW | 1 | |
| 7 | 28805-001 | COVER, CONSOLE SIDE, CUTTER 3-YELLOW | 1 | |
| 8 | 29013-001 | WRENCH, BOX END 1 1/2 | 1 | |
| 9 | 1579 | SCREW, HHC 1/4-20 X 1/2 | 4 | |
| 10 | 0181 B | WASHER, LOCK 1/4 MED. | 8 | |
| 11 | 0948 | WASHER, FLAT SAE 1/4 | 4 | |
| 12 | 0205 | SCREW, HHC 3/8-16 X 1.0 | 8 | |
| 13 | 0166 A | WASHER, LOCK 3/8 MED. | 8 | |
| 14 | 4001 | WASHER, FLAT USS 3/8 PLD | 8 | |
| 15 | 35127 | SWITCH, ENGINE ON/OFF | 1 | SAFETY ITEM |
| 16 | 35200 | WIRE, ENGINE ON/OFF SWITCH | 1 | SAFETY ITEM |
| 17 | 19266 | BLIND NUT, 1/4-20 | 4 | |

STOW CUTTER 3 CE SAW — CONSOLE ASSY. (SELF-PROPELLED)

CONSOLE ASSY. (SELF-PROPELLED MODELS)



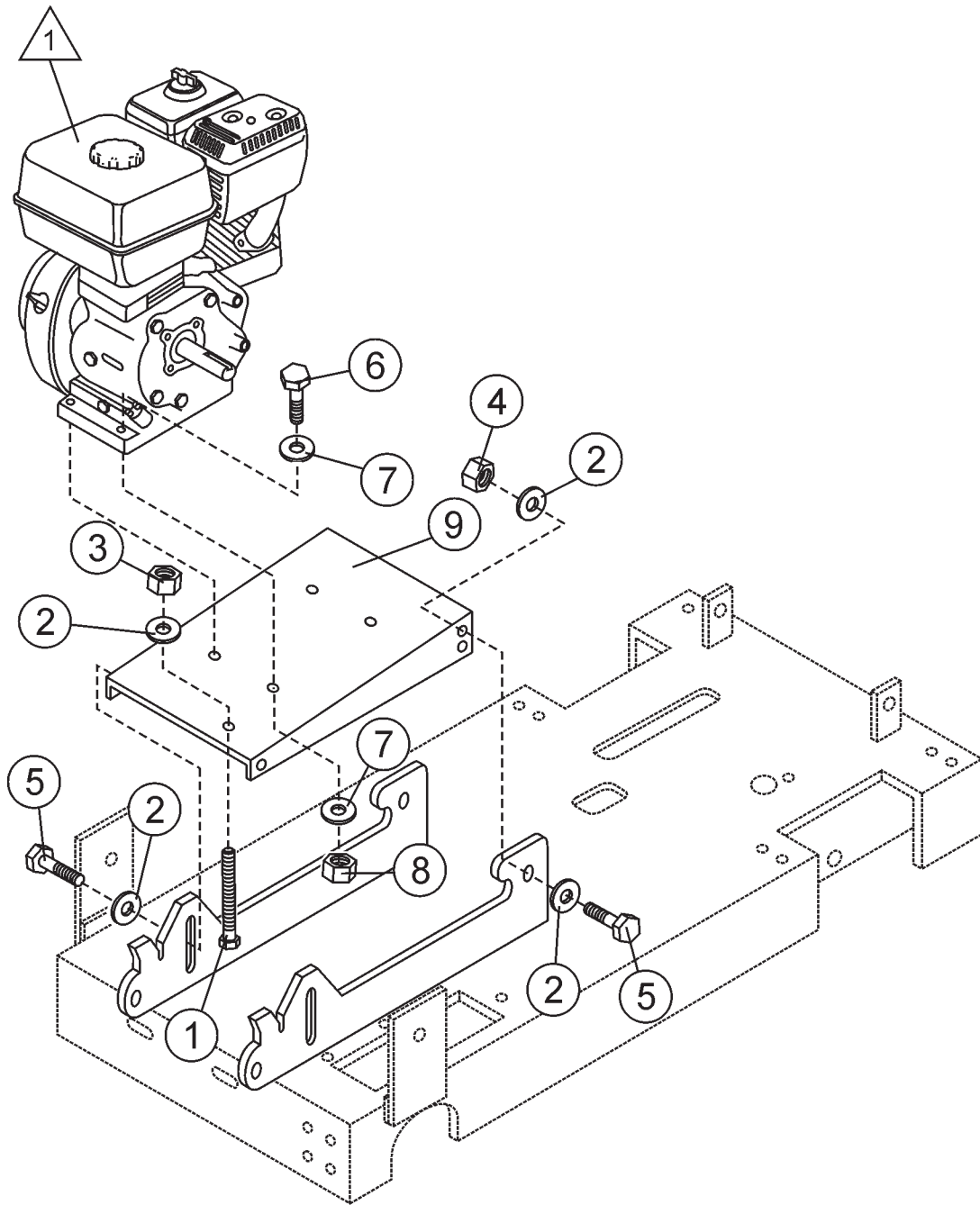
STOW CUTTER 3 CE SAW — CONSOLE ASSY. (SELF-PROPELLED)

CONSOLE ASSY. (SELF- PROPELLED MODELS)


| <u>NO</u> | <u>PART NO</u> | <u>PART NAME</u> | <u>QTY.</u> | <u>REMARKS</u> |
|-----------|----------------|---------------------------------------|-------------|----------------|
| 1 | 28796-351 | HANDLE ASSY. | 1 | |
| 2 | 15081 | GRIP, 1" ID | 2 | |
| 3 | 4196 | SCREW, HHC 3/8-16 X .75 | 4 | |
| 4 | 0166 A | WASHER, LOCK 3/8 MED. | 4 | |
| 5 | 10136 | WASHER, FLAT SAE 3/8 | 4 | |
| 6 | 28091-401 | SHIFT CONTROL ASSY. | 1 | |
| 8 | 28834-001 | COVER, REAR | 1 | |
| 9 | 0131 A | SCREW, HHC 1/4-20 X 3/4 | 2 | |
| 10 | 1002 4 | NUT, NYLOC 1/4-20 | 2 | |
| 11 | 4001 | WASHER, FLAT USS 3/8 PLD | 8 | |
| 12 | 1579 | SCREW, HHC 1/4-20 X 1/2 | 8 | |
| 13 | 0181 B | WASHER, LOCK 1/4 MED. | 8 | |
| 14 | 28791-351 | HOUSING ASSY., STOW YELLOW | 1 | |
| 15 | 28805-001 | COVER, CONSOLE SIDE, CUTTER 3-YELLOW | 1 | |
| 16 | 29013-001 | WRENCH, BOX END 1 1/2 | 1 | |
| 17 | 0948 | WASHER, FLAT SAE 1/4 | 4 | |
| 18 | 0205 | SCREW, HHC 3/8-16 X 1.0 | 8 | |
| 19 | 0166 A | WASHER, LOCK 3/8 MED. | 8 | |
| 20 | 35127 | SWITCH, ENGINE ON/OFF | 1 | SAFETY ITEM |
| 21 | 35200 | WIRE, ENGINE ON/OFF SWITCH 13HP | 1 | SAFETY ITEM |
| 21 | 35134 | WIRE, ENGINE ON/OFF SWITCH 20HP | 1 | SAFETY ITEM |
| 22 | 19266 | BLIND NUT, 1/4-20 | 4 | |
| 23 | 15168 | HANDLE, THROTTLE | 1 | |
| 24 | 35280 | CABLE, CHOKE, 35" | 1 | |

STOW CUTTER 3 CE SAW — 13HP HONDA ENGINE MOUNT ASSY.

13HP HONDA ENGINE MOUNT ASSY.



NOTES:

 ENGINE SHOWN FOR MOUNTING PURPOSE ONLY
ENGINE MAY NOT LOOK LIKE ILLUSTRATION

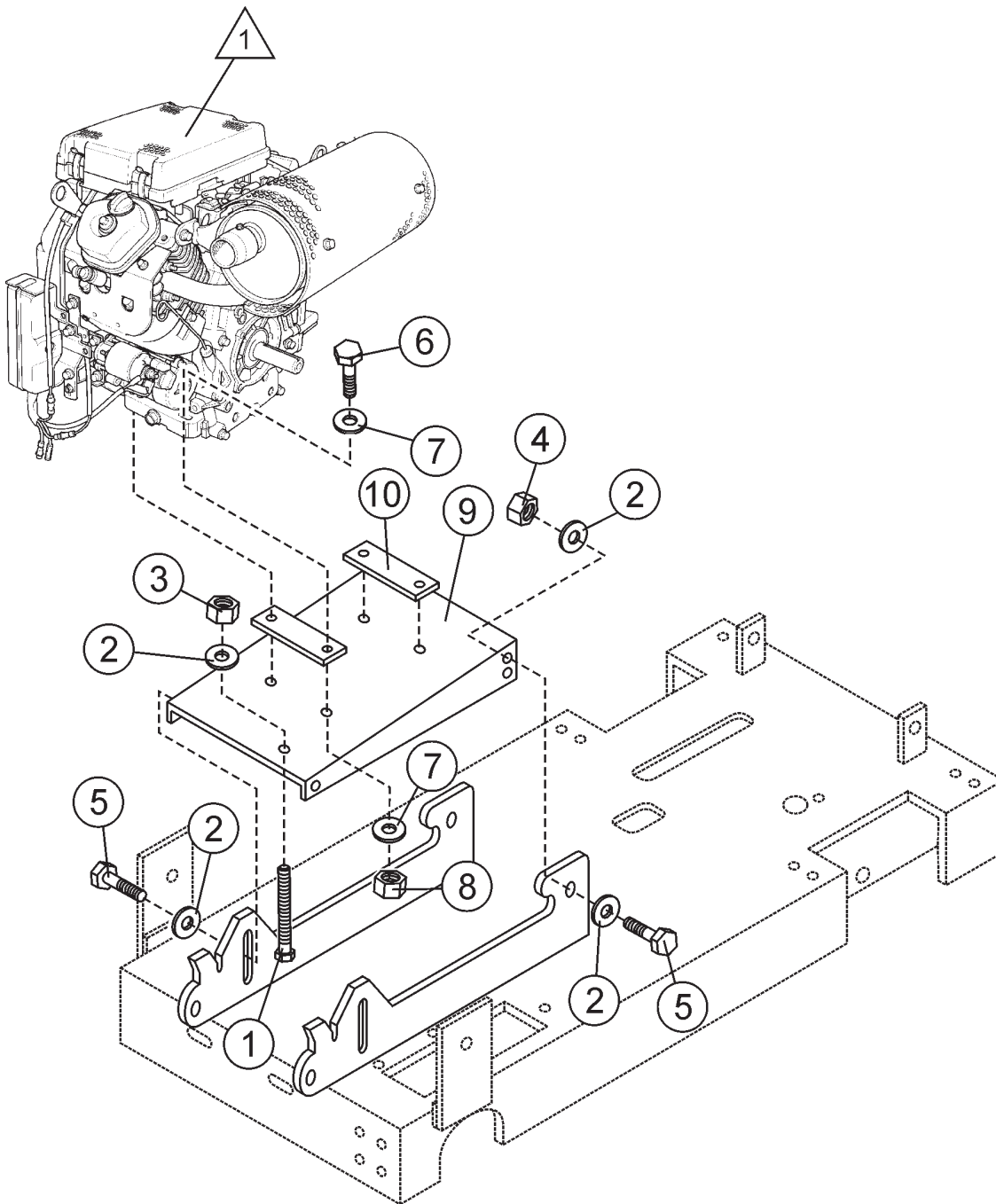
STOW CUTTER 3 CE SAW — 13HP HONDA ENGINE MOUNT ASSY.

13HP HONDA ENGINE MOUNT ASSY.

| <u>NO</u> | <u>PART NO</u> | <u>PART NAME</u> | <u>QTY.</u> | <u>REMARKS</u> |
|-----------|----------------|-----------------------------------|-------------|----------------|
| 1 | 15868-032 | SCREW, SQHS 1/2-13 X 4, CUP PLAIN | 1 | |
| 2 | 0447 | WASHER, FLAT SAE 1/2 | 9 | |
| 3 | 968011 | NUT, HEX FINISH 1/2-13 | 1 | |
| 4 | 10176 | NUT, NYLOC 1/2-13 | 4 | |
| 5 | 3214 | SCREW, HHC 1/2-13 X 1 1/4 | 4 | |
| 6 | 9154 | SCREW, HHC 3/8-16 X 1 3/4 | 4 | |
| 7 | 10136 | WASHER, FLAT SAE 3/8 | 8 | |
| 8 | 10133 | NUT, NYLOC 3/8-16 | 4 | |
| 9 | 28804-351 | ENGINE BASE ASSY. | 1 | |

STOW CUTTER 3 CE SAW — 20HP HONDA ENGINE MOUNT ASSY.

20HP HONDA ENGINE MOUNT ASSY.



NOTES:



ENGINE SHOWN FOR
MOUNTING PURPOSE ONLY
ENGINE MAY NOT LOOK
LIKE ILLUSTRATION

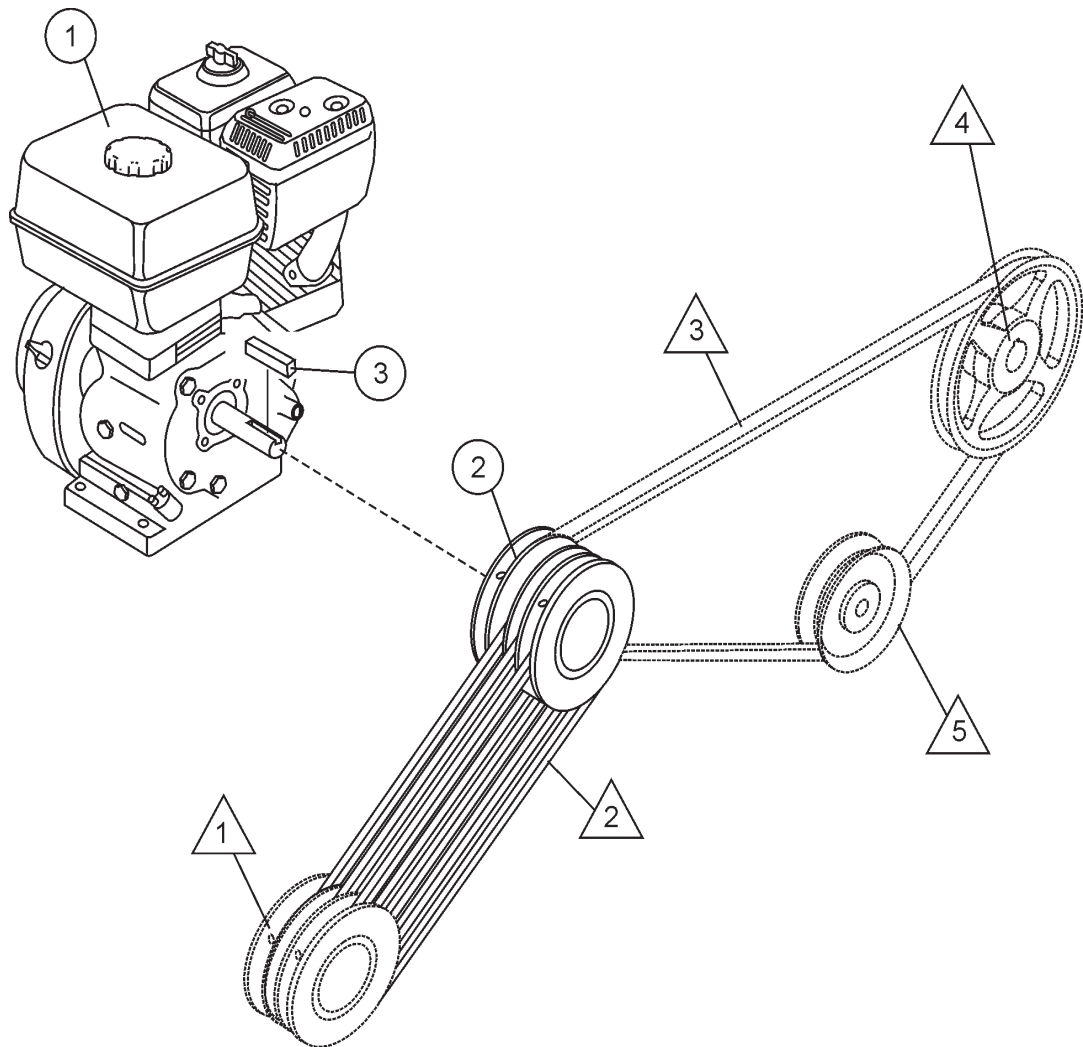
STOW CUTTER 3 CE SAW — 20HP HONDA ENGINE MOUNT ASSY.

20HP HONDA ENGINE MOUNT ASSY.

| <u>NO</u> | <u>PART NO</u> | <u>PART NAME</u> | <u>QTY.</u> | <u>REMARKS</u> |
|-----------|----------------|-----------------------------------|-------------|----------------|
| 1 | 15868-032 | SCREW, SQHS 1/2-13 X 4, CUP PLAIN | 1 | |
| 2 | 0447 | WASHER, FLAT SAE 1/2 | 9 | |
| 3 | 968011 | NUT, HEX FINISH 1/2-13 | 1 | |
| 4 | 10176 | NUT, NYLOC 1/2-13 | 4 | |
| 5 | 3214 | SCREW, HHC 1/2-13 X 1 1/4 | 4 | |
| 6 | 4370 | SCREW, HHC 3/8-16 X 2 1/4 | 4 | |
| 7 | 10136 | WASHER, FLAT SAE 3/8 | 8 | |
| 8 | 10133 | NUT, NYLOC 3/8-16 | 4 | |
| 9 | 28804-351 | ENGINE BASE ASSY. | 1 | |
| 10 | 27044-001 | SPACER | 2 | |

STOW CUTTER 3 CE SAW — 13HP HONDA ENGINE ASSY.

13HP HONDA ENGINE ASSY.



NOTES:

- | | | | |
|---|--------------------------------------|---|--------------------------------------|
| 1 | SEE BLADE SHAFT ASSY., ITEM 11 | 4 | SEE HYDROSTATIC DRIVE ASSY., ITEM 14 |
| 2 | SEE BLADE SHAFT ASSY., ITEM 17 | 5 | SEE HYDROSTATIC DRIVE ASSY., ITEM 15 |
| 3 | SEE HYDROSTATIC DRIVE ASSY., ITEM 25 | | |

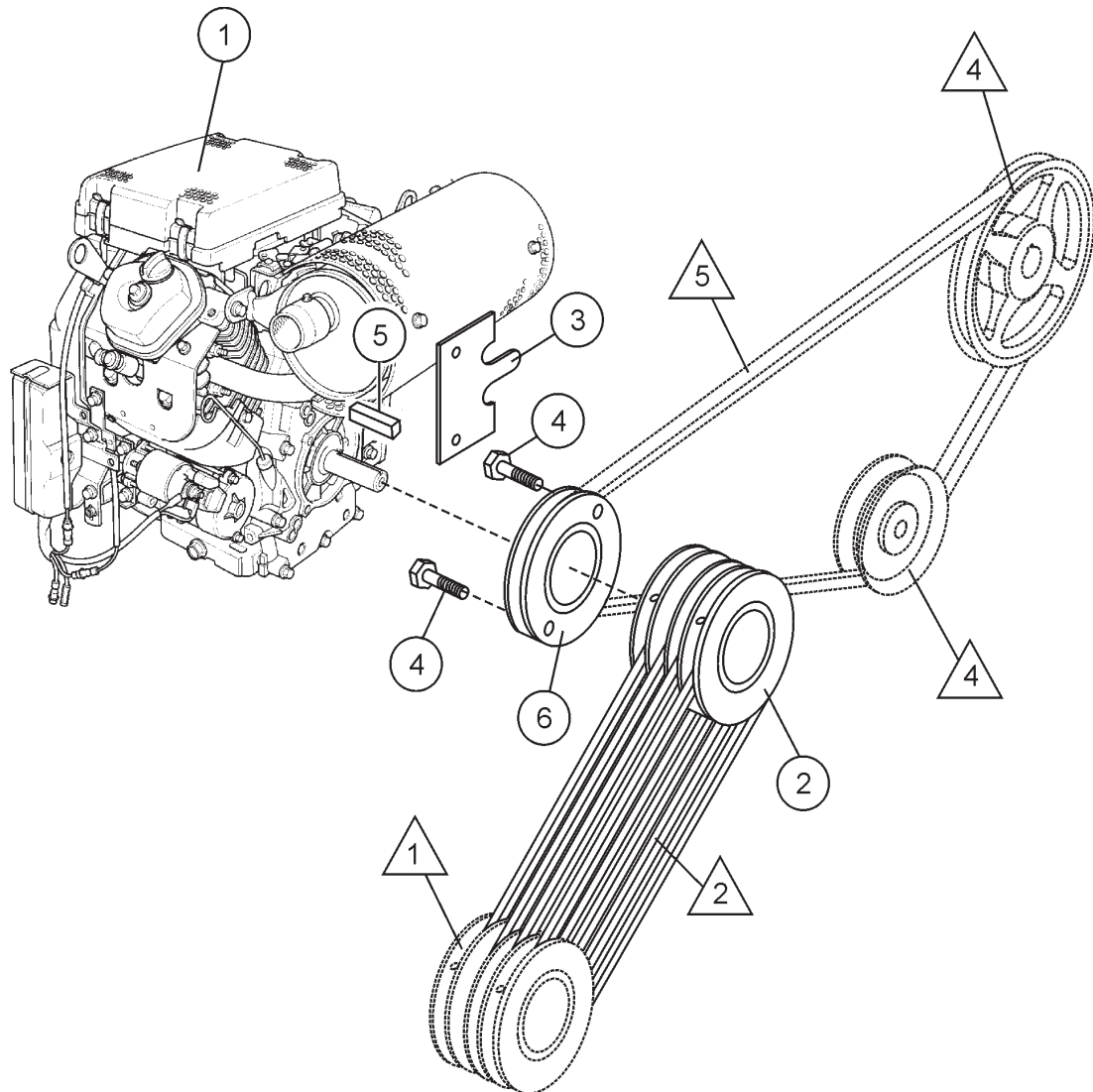
STOW CUTTER 3 CE SAW — 13HP HONDA ENGINE ASSY.

13HP HONDA ENGINE ASSY.

| <u>NO</u> | <u>PART NO</u> | <u>PART NAME</u> | <u>QTY.</u> | <u>REMARKS</u> |
|-----------|----------------|--------------------------------------|-------------|-----------------------|
| 1 | 15103 | ENGINE, HONDA 13HP, GX390K1QWT2 | 1 | |
| 2 | 23665-001 | PULLEY, ENGINE 13 HP, 3F3V26X1 | 1 | 13HP PUSH MODELS |
| 2 | 23703-003 | PULLEY, ENGINE 13 HP, 4F3V26X1 | 1 | 13HP SELF-PROP MODELS |
| 3 | 6059 B | KEY 1/4" SQ. X 2, 1018 STOCK | 1 | |

STOW CUTTER 3 CE SAW — 20HP HONDA ENGINE ASSY.

20HP HONDA ENGINE ASSY.



NOTES:



SEE BLADE SHAFT
ASSY., ITEM 11



SEE HYDROSTATIC DRIVE
ASSY., ITEM 14



SEE BLADE SHAFT
ASSY., ITEM 17



SEE HYDROSTATIC DRIVE
ASSY., ITEM 15



SEE HYDROSTATIC DRIVE
ASSY., ITEM 25

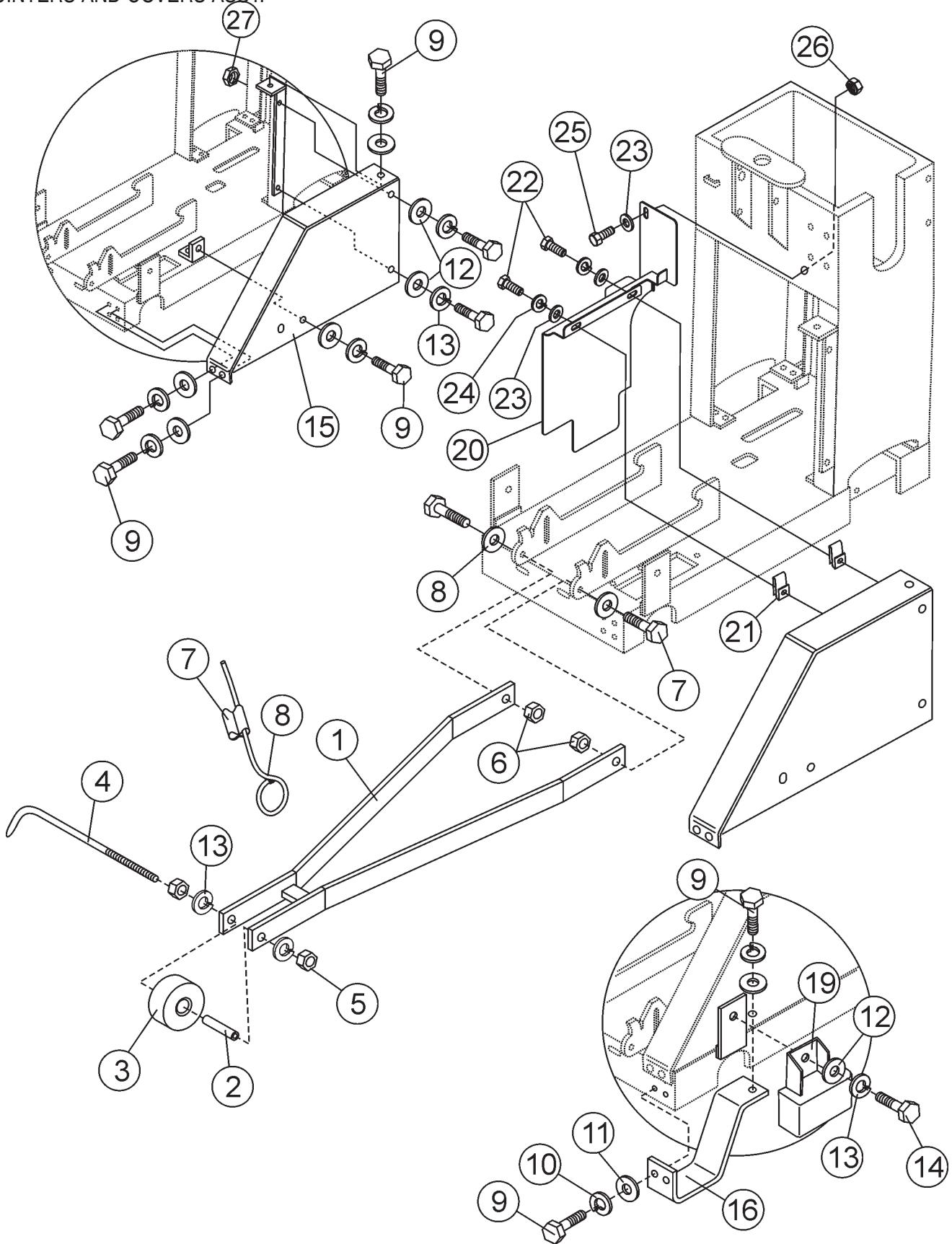
STOW CUTTER 3 CE SAW — 20HP HONDA ENGINE ASSY.

20HP HONDA ENGINE ASSY.

| <u>NO</u> | <u>PART NO</u> | <u>PART NAME</u> | <u>QTY.</u> | <u>REMARKS</u> |
|-----------|----------------|----------------------------------|-------------|----------------|
| 1 | 15104 | ENGINE, HONDA 20HP GX620TXF2 | 1 | |
| 2 | 28833-002 | PULLEY, ENGINE C3 20H20, 4F3V412 | 1 | |
| 3 | 28099-001 | MOUNT, IDLER SPRING | 1 | |
| 4 | 923203 | SCREW, SHC 1/4-20 X 3/4 | 2 | |
| 5 | 6059 B | KEY 1/4" SQ. X 2, 1018 STOCK | 1 | |
| 6 | 28088-002 | PULLEY, TRANSMISSION | 2 | |

STOW CUTTER 3 CE SAW — POINTERS AND COVERS ASSY.

POINTERS AND COVERS ASSY.



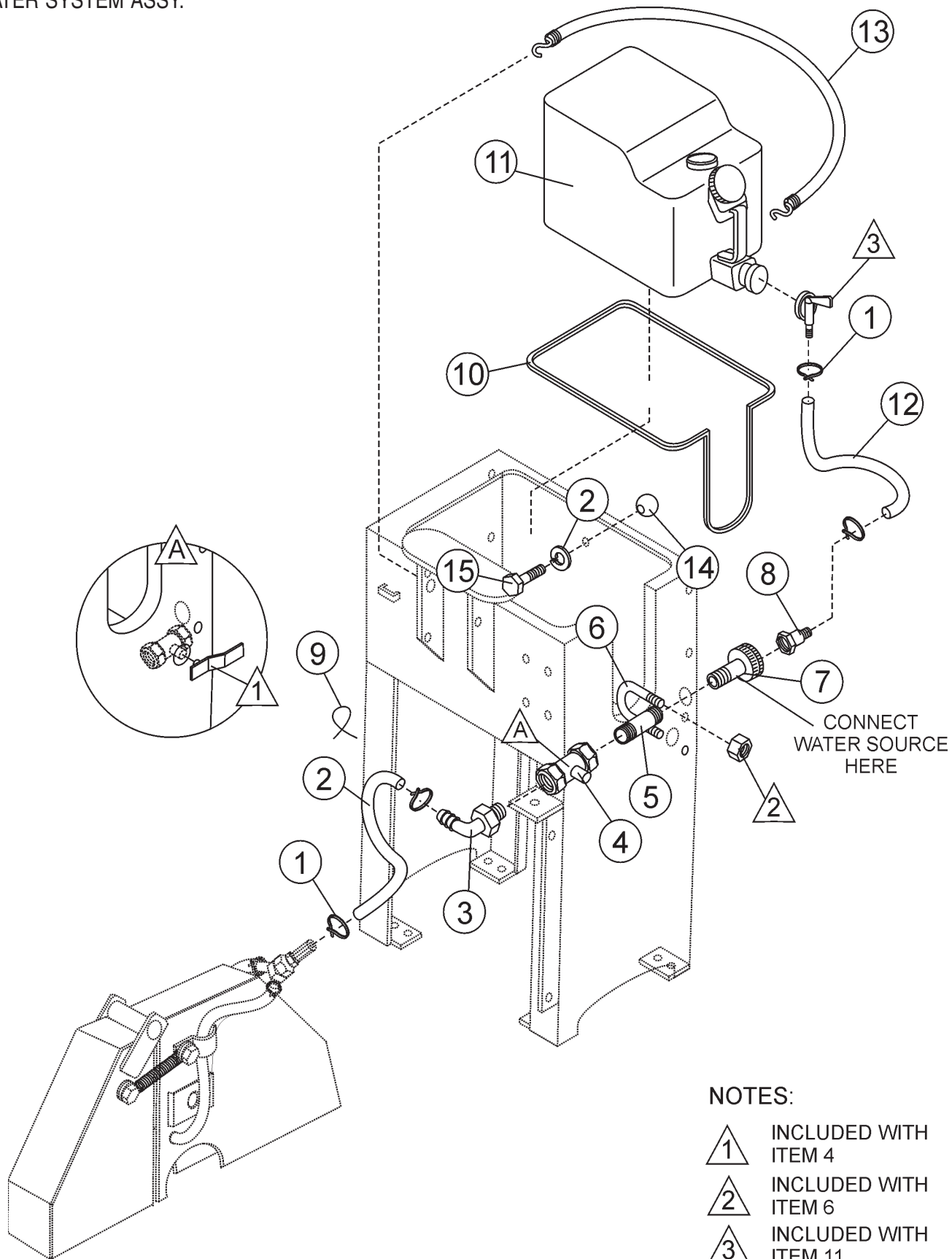
STOW CUTTER 3 CE SAW — POINTERS AND COVERS ASSY.

POINTER AND COVERS ASSY.

| <u>NO</u> | <u>PART NO</u> | <u>PART NAME</u> | <u>QTY.</u> | <u>REMARKS</u> |
|-----------|----------------|------------------------------------|-------------|-------------------|
| 1 | 28646-351 | BLADE GUIDE WELDMENT | 1 | |
| 2 | 28649-001 | SPANNER BUSHING CSI | 1 | |
| 3 | 28648-001 | WHEEL, 3.00 X 1.25 .50 ID POLY CSI | 1 | |
| 4 | 28647-001 | POINTER | 1 | |
| 5 | 1456 | NUT, HEX FINISH 3/8-16 | 2 | |
| 6 | 10133 | NUT, NYLOC 3/8-16 | 2 | |
| 7 | 15114 | SLEEVE, SASH | 2 | |
| 8 | 60087 | ROPE, 1/4" NYLON, BRAIDED, WHITE | 7 | |
| 9 | 0655 | SCREW, HHC 5/16-18 X 3/4 | 7 | |
| 10 | 0161 C | WASHER, LOCK 5/16 MED. | 7 | |
| 11 | 0300 B | WASHER, FLAT SAE 5/16 | 7 | |
| 12 | 10136 | WASHER, FLAT SAE 3/8 | 3 | |
| 13 | 0166 A | WASHER, LOCK 3/8 MED. | 3 | |
| 14 | 0205 | SCREW, HHC 3/8-16 X 1.0 | 3 | |
| 15 | 28799-351 | BELT GUARD, YELLOW | 1 | SAFETY ITEM |
| 16 | 28835-001 | GUARD, PULLEY | 1 | 20 IN. BLADE ONLY |
| 19 | 29745-354 | SPINDLE GUARD ASSY., YELLOW | 1 | SAFETY ITEM |
| 20 | 35223 | GUARD, BELT | 1 | SAFETY ITEM |
| 21 | 11534 | NUT, "U" TYPE, 1/4 - 20 | 2 | |
| 22 | 0131 A | SCREW, HHC 1/4- 20 X 3/4 | 2 | |
| 23 | 0948 | WASHER, FLAT SAE 1/4 | 3 | |
| 24 | 0181 B | WASHER, LOCK 1/4 MED | 2 | |
| 25 | 4514 | SCREW, HHC 1/4- 20 X 5/8 | 1 | |
| 26 | 10024 | NUT, NYLOC 1/4 - 20 | 1 | |
| 27 | 35358 | PALNUT, U, 5/16 - 18 | 1 | |

STOW CUTTER 3 CE SAW — WATER SYSTEM ASSY.

WATER SYSTEM ASSY.



NOTES:

- ① INCLUDED WITH ITEM 4
- ② INCLUDED WITH ITEM 6
- ③ INCLUDED WITH ITEM 11

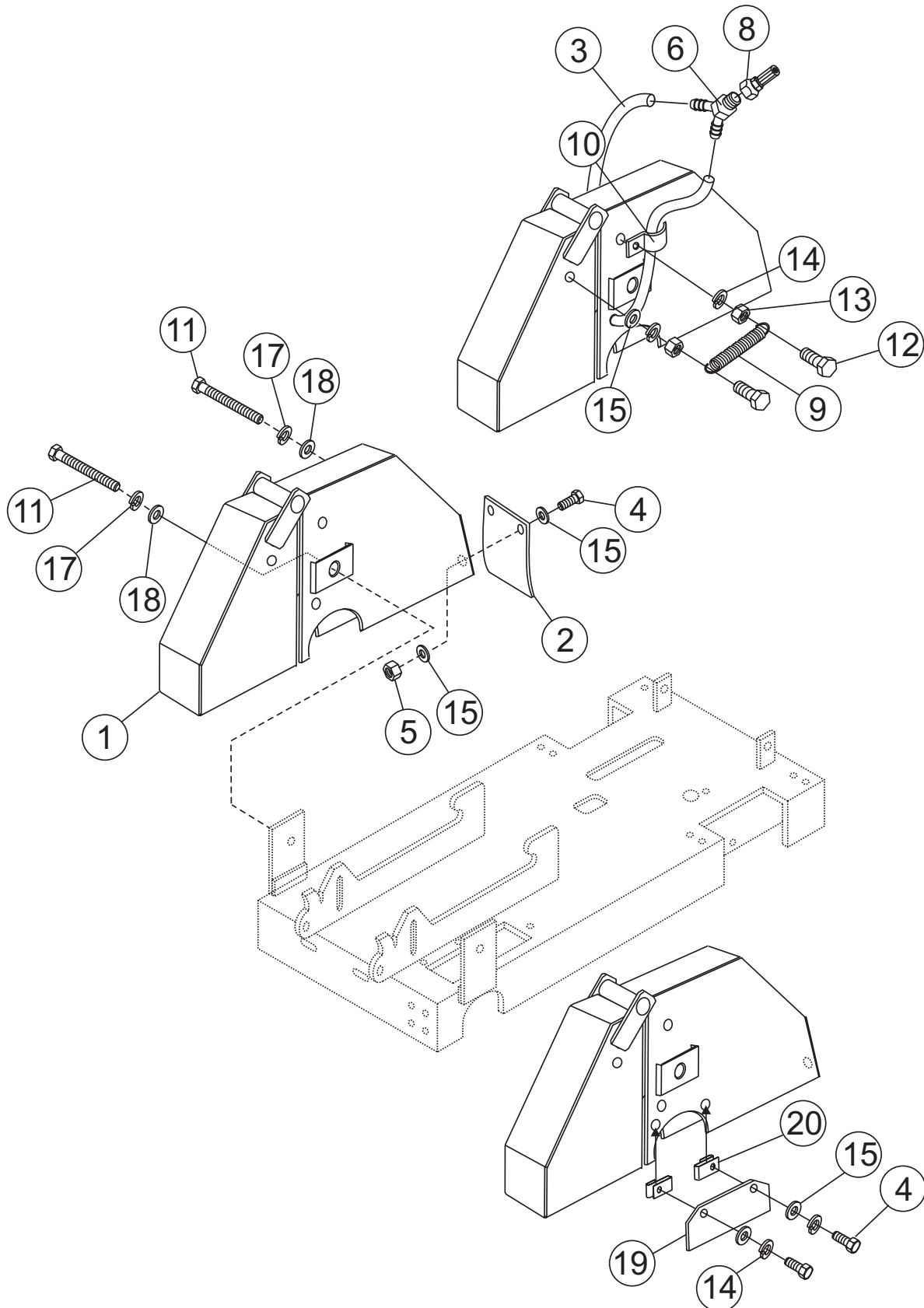
STOW CUTTER 3 CE SAW — WATER SYSTEM ASSY.

WATER SYSTEM FROM CONSOLE SP

| <u>NO</u> | <u>PART NO</u> | <u>PART NAME</u> | <u>QTY.</u> | <u>REMARKS</u> |
|-----------|----------------|---|-------------|----------------|
| 1 | 12694-008 | HOSE CLAMP, SPRING TYPE 7/8 O.D HOSE | 4 | |
| 2 | 23255-004 | HOSE, WATER 1/2 X 37 | 1 | |
| 3 | 23566-001 | FITTING, PLASTIC 90 1/2MP X 1/2BARB | 1 | |
| 4 | 23259-001 | VALVE, BALL 1/2 MPT BRASS NIBCO T585-70 | 1 | |
| 5 | 23254-001 | FITTING, NIPPLE 1/2MP X 2 GALV. | 1 | |
| 6 | 16378-009 | U-BOLT W/NUTS | 1 | |
| 7 | 15544 | FITTING, BRASS 1/2FP-3/4F GRDN., STR | 1 | |
| 8 | 24778-001 | FITTING, BRASS 1/2 BARB X 3/4 GRDN | 1 | |
| 9 | 1662 | TIE, CABLE TY-RAP BLACK | 2 | |
| 10 | 28861-501 | TRIM KIT, WATER TANK RUBBER | 1 | |
| 11 | 28089-001 | TANK, 5 GAL. WATER | 1 | |
| 12 | 27040-001 | HOSE, 19 IN. VINYL WATER TANK | 1 | |
| 13 | 28861-001 | CORD, TANK RETAINER | 1 | |
| 14 | 28860-001 | KNOB | 1 | |
| 15 | 06499-004 | HHCS 1/4-20 x 1/2 | 1 | |

STOW CUTTER 3 CE SAW — BLADE GUARD ASSY.

BLADE GUARD ASSY.



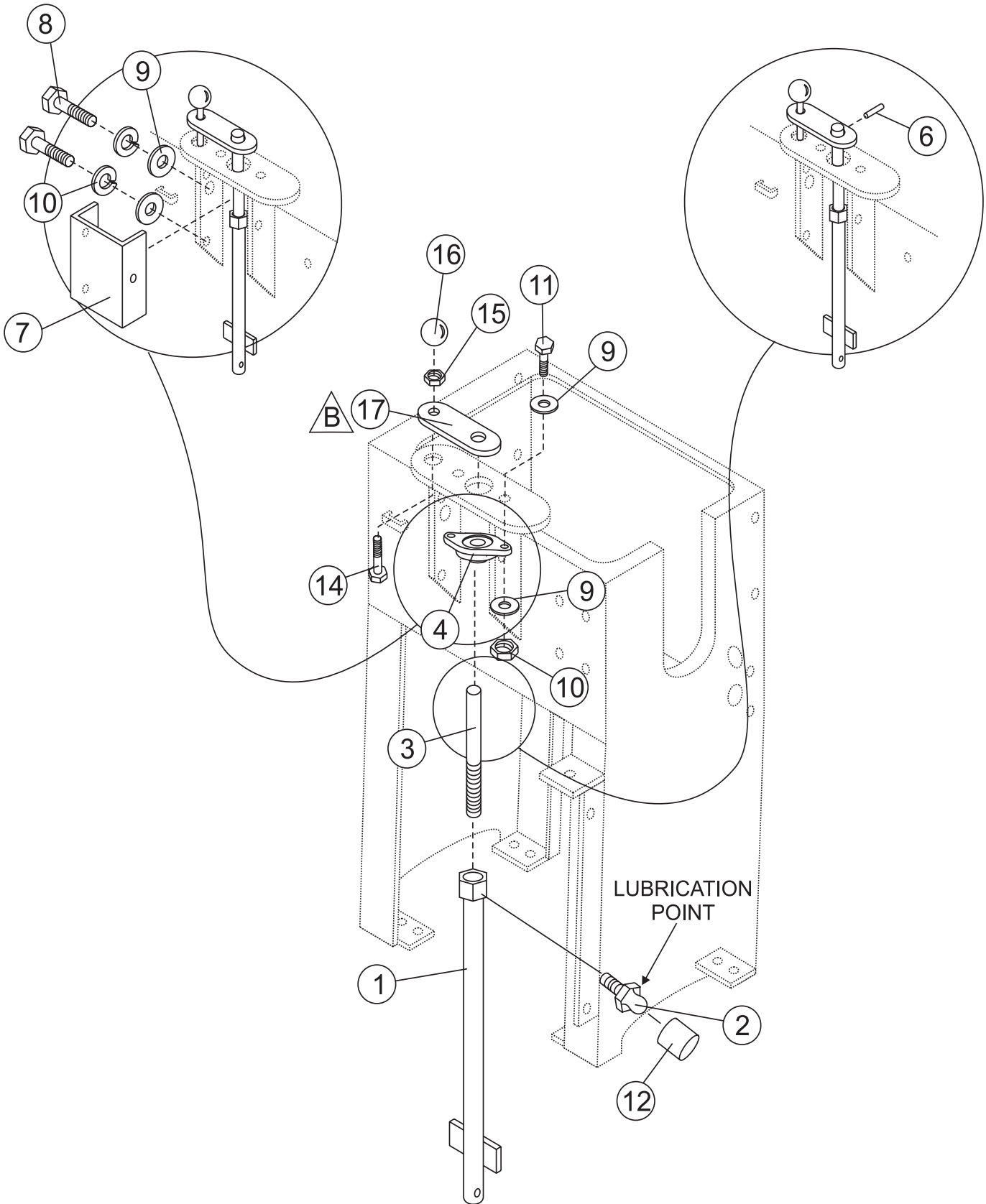
STOW CUTTER 3 CE SAW — BLADE GUARD ASSY.

BLADE GUARD ASSY.

| <u>NO</u> | <u>PART NO</u> | <u>PART NAME</u> | <u>QTY.</u> | <u>REMARKS</u> |
|-----------|----------------|---------------------------------------|-------------|----------------|
| 1 | 29406352 | BLADE GUARD W/A, YELLOW | 1 | SAFETY ITEM |
| 2 | 28729001 | GUARD, SPLASH BLADE | 1 | SAFETY ITEM |
| 3 | 60021 | HOSE, 3/8ID X 5/8OD BRAIDED PVC "PAC" | 1.670 | |
| 4 | 0131A | SCREW, HHC 1/4-20 X 3/4 | 2 | |
| 5 | 10024 | NUT, NYLOC 1/4-20 | 2 | |
| 6 | 24642001 | Y-CONNECTOR 3/8 | 1 | |
| 7 | 12694006 | HOSE CLAMP, SPRING TYPE 3/4 O.D. HOSE | 2 | |
| 8 | 24778001 | FITTING, BRASS 1/2BARB X 3/4F GRDN | 1 | |
| 9 | 18626001 | SPRING TENSION, GUARD BLADE | 2 | |
| 10 | 22129001 | PIPE STRAP 3/8 | 2 | |
| 11 | 21168 | SCREW, HHC 3/8-16 X 4.75 | 1 | |
| 12 | 0424 | SCREW, HHC 1/4-20 X 1 1/4 | 4 | |
| 13 | 0949 | NUT, HEX FINISH 1/4-20 PLATED | 4 | |
| 14 | 0181B | WASHER, LOCK 1/4 MED. | 4 | |
| 15 | 0948 | WASHER, FLAT SAE 1/4 | 6 | |
| 16 | 0205 | SCREW, HHC 3/8-16 X 1.0 | 1 | |
| 17 | 0166A | WASHER, LOCK 3/8 MED. | 2 | |
| 18 | 10136 | WASHER, FLAT SAE 3/8 | 2 | |
| 19 | 35224 | SHIELD, BLADE GUARD | 1 | SAFETY ITEM |
| 20 | 11534 | NUT, "U" TYPE, 1/4 - 20 | 2 | |

STOW CUTTER 3 CE SAW — MANUAL RAISE AND LOWER ASSY. (20 IN.)

MANUAL RAISE AND LOWER ASSY. (20 IN.)



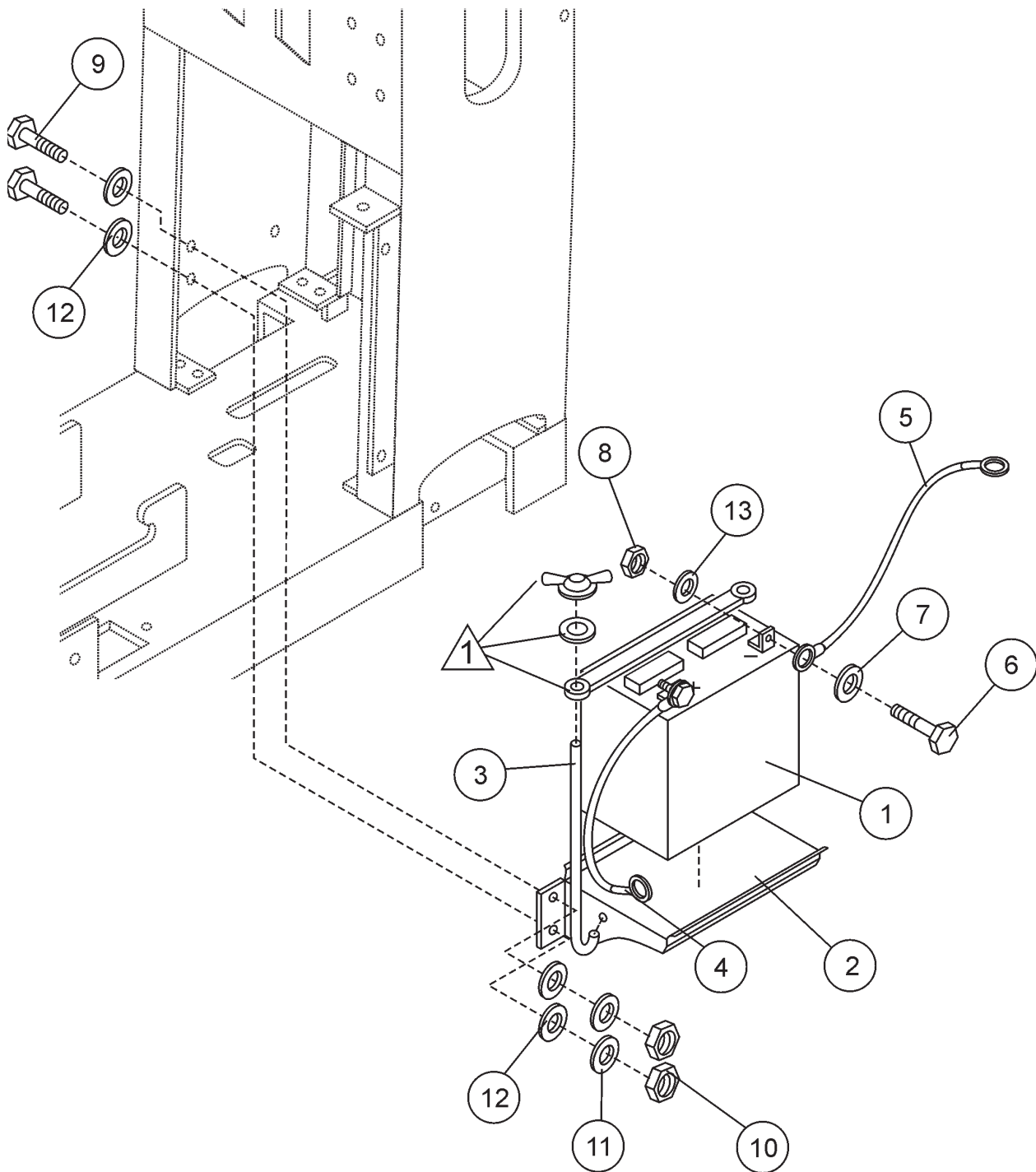
STOW CUTTER 3 CE SAW — MANUAL RAISE AND LOWER ASSY. (20 IN.)

JACK SCREW ASSY. 20" BLADE

| <u>NO</u> | <u>PART NO</u> | <u>PART NAME</u> | <u>QTY.</u> | <u>REMARKS</u> |
|-----------|----------------|---------------------------------|-------------|----------------|
| 1 | 28793-352 | JACKPOST ASSY. OBS USE 28793352 | 1 | |
| 2 | 2621 | ZERK, GREASE STR. 1/4-28 | 1 | |
| 3 | 28806-001 | JACKSCREW | 1 | |
| 4 | 28083-001 | BEARING, FLANGE | 1 | |
| 5 | 28809-001 | SPACER, JACKSCREW | 1 | |
| 6 | 4568 | PIN, ROLL 3/16 X 1 | 1 | |
| 7 | 28877-351 | SCREW COVER ASSY., YELLOW | 1 | |
| 8 | 1579 | SCREW, HHC 1/4-20 X 1/2 | 3 | |
| 9 | 0948 | WASHER, FLAT SAE 1/4 | 7 | |
| 10 | 0181 B | WASHER, LOCK 1/4 MED. | 3 | |
| 11 | 0730 | SCREW, HHC 1/4-20 X 1 | 2 | |
| 12 | 1162 A | CAP,GREASE ZERK, #2 YELLOW | 1 | |
| 13 | 10024 | NUT, NYLOC 1/4-20 | 2 | |
| 14 | 1121 | SCREW, HHC 3/8-16 X 2 3/4 | 1 | |
| 15 | 1876 | NUT, HEX JAM 3/8-16 CLASS 2B | 1 | |
| 16 | 4403 | KNOB,SHIFT | 1 | |
| 17 | 28808-002 | ARM-CRANK | 1 | |

STOW CUTTER 3 CE SAW — BATTERY ASSY.

BATTERY ASSY.



NOTES:

 INCLUDED WITH
ITEM 3

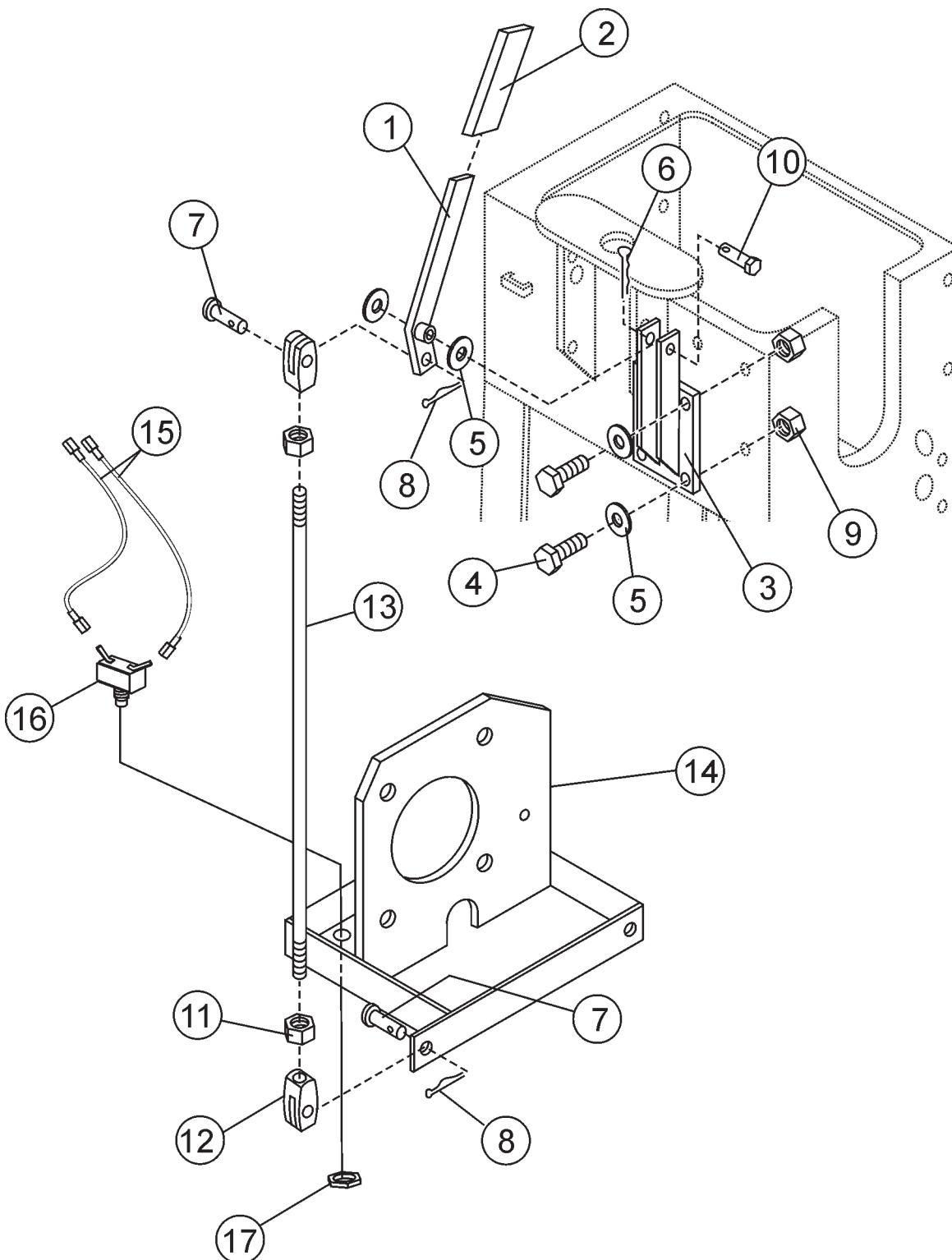
STOW CUTTER 3 CE SAW — BATTERY ASSY.

BATTERY ASSY.

| <u>NO</u> | <u>PART NO</u> | <u>PART NAME</u> | <u>QTY.</u> | <u>REMARKS</u> |
|-----------|----------------|--|-------------|----------------|
| 1 | 4671 | BATTERY, WET GR.U1, GT-X GOLD LA | 1 | |
| 2 | 28096-001 | BRACKET BATTERY | 1 | |
| 3 | 28095-401 | BATTERY HOLD DOWN KIT 425-405 | 1 | |
| 4 | 28093-001 | CABLE, BATTERY POS 6GA X 42" RING TONGUE | 1 | |
| 5 | 28094-001 | STRAP, GROUND | 1 | |
| 6 | 0131 A | SCREW, HHC 1/4-20 X 3/4 | 2 | |
| 7 | 0948 | WASHER, FLAT SAE 1/4 | 2 | |
| 8 | 0949 | NUT, HEX FINISH 1/4-20 PLATED | 2 | |
| 9 | 0655 | SCREW, HHC 5/16-18 X 3/4 | 3 | |
| 10 | 0161 D | NUT, HEX FINISH 5/16-18 | 3 | |
| 11 | 0161 C | WASHER, LOCK 5/16 MED. | 3 | |
| 12 | 0300 B | WASHER, FLAT SAE 5/16 | 6 | |
| 13 | 0181 B | WASHER, LOCK 1/4 MED. | 2 | |

STOW CUTTER 3 CE SAW — TRANSMISSION ENGAGE LEVER ASSY.

TRANSMISSION ENGAGE LEVER ASSY.



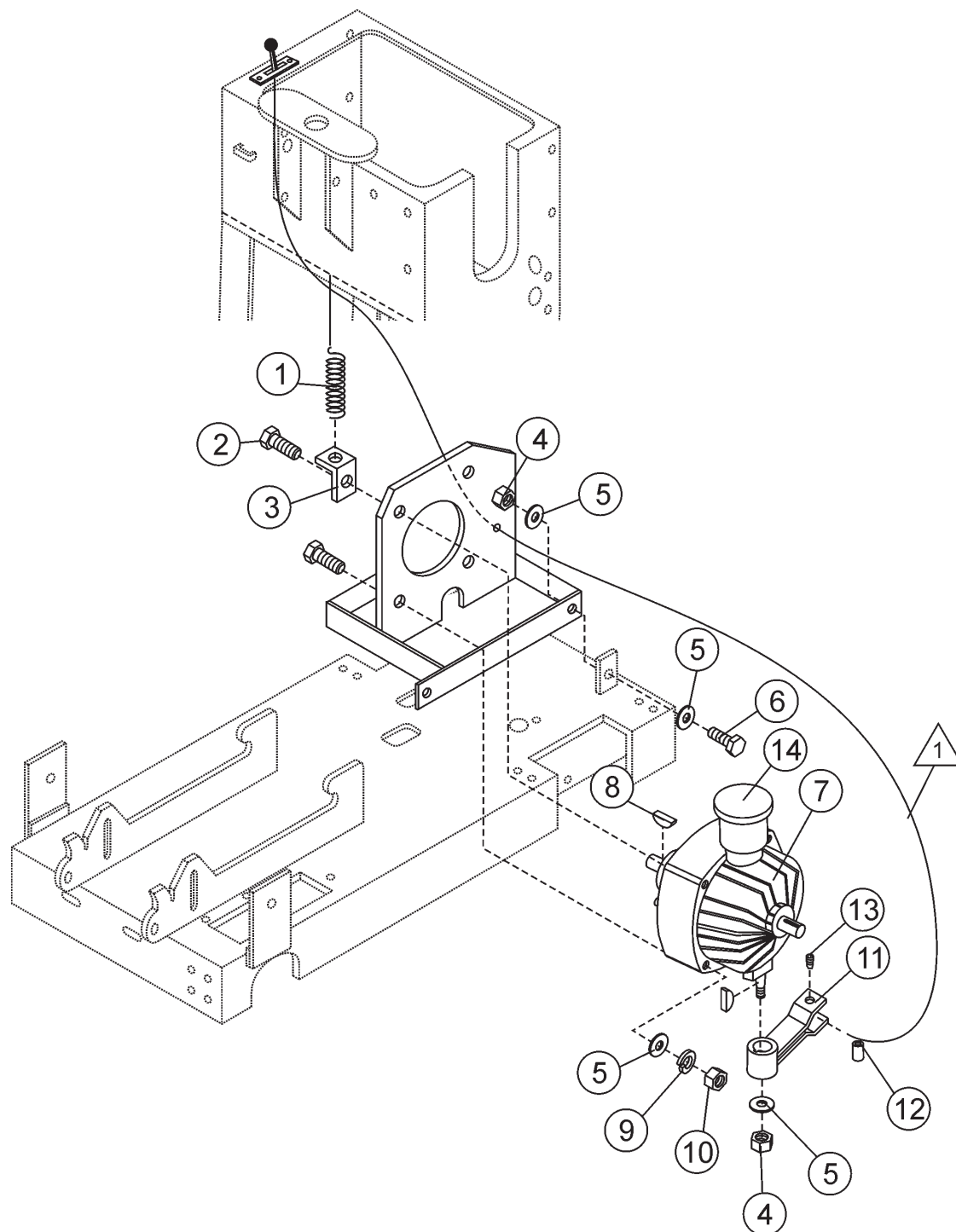
STOW CUTTER 3 CE SAW — TRANSMISSION ENGAGE LEVER ASSY.

HYD. TRANSMISSION ENGAGE LEVER ASSY.

| <u>NO</u> | <u>PART NO</u> | <u>PART NAME</u> | <u>QTY.</u> | <u>REMARKS</u> |
|-----------|----------------|--|-------------|----------------|
| 1 | 28825-351 | LEVER ASSY. TRANS. ENGAGE | 1 | |
| 2 | 3360 | GRIP, 1/4 X 1 BLACK | 1 | |
| 3 | 28822-351 | MOUNT ASSY., LEVER RED | 1 | |
| 4 | 0655 | SCREW, HHC 5/16-18 X 3/4 | 4 | |
| 5 | 10136 | WASHER, FLAT SAE 3/8 | 6 | |
| 6 | 6014 B | PIN, COTTER 3/32D X 1.0 | 1 | |
| 7 | 08326-005 | PIN, CLEVIS 5/16 X 1 O'ALL LENGHT PLATED | 2 | |
| 8 | 07028-031 | PIN, COTTER 3/32D X 1/2 | 2 | |
| 9 | 5283 | NUT, NYLOC 5/16-18 | 8 | |
| 10 | 08326-019 | PIN, CLEVIS 3/8 X 2" USEABLE LENGHT | 1 | |
| 11 | 2199 | NUT, HEX JAM 3/8-24 | 2 | |
| 12 | 08327-012 | YOKE END, 3/8-24 X 2.50 | 2 | |
| 13 | 28830-001 | ROD, TRANS. ENGINE | 1 | |
| 14 | 28819-351 | TRANS. BRACKET ASSY. | 1 | |
| 15 | 35444 | HARNES, NEUTRAL SWITCH | 1 | SAFETY ITEM |
| 16 | 2584 | SWITCH, PUSH BUTTON | 1 | SAFETY ITEM |
| 17 | 2906 | NUT, PANEL, 3/8 - 32 PLTD | 1 | SAFETY ITEM |

STOW CUTTER 3 CE SAW — HYDROSTATIC TRANSMISSION ASSY.

HYDROSTATIC TRANSMISSION



NOTES:

- 1 INCLUDED WITH ITEM 6, CONSOLE ASSY. (SELF PROPELLED)

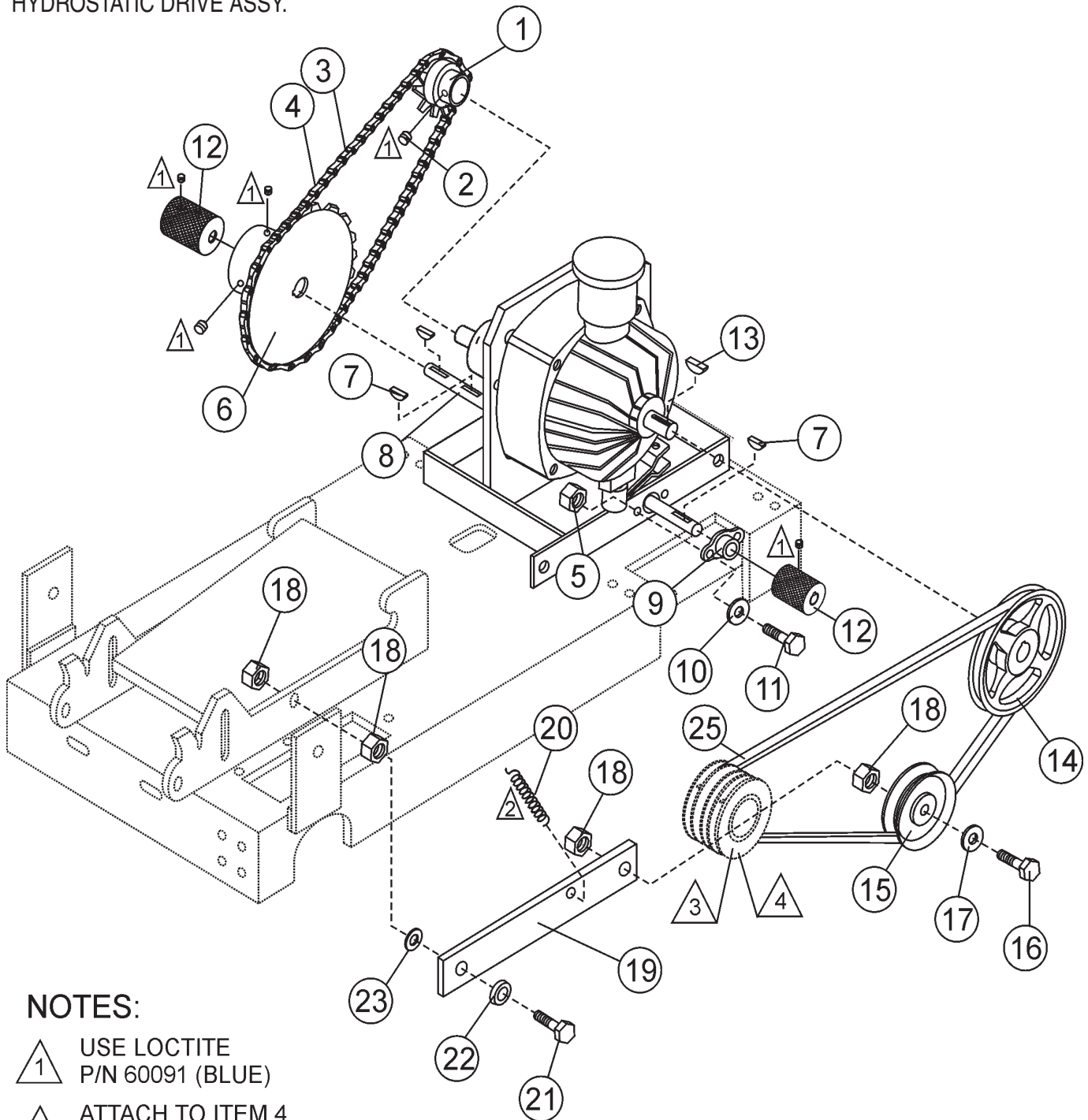
STOW CUTTER 3 CE SAW — HYDROSTATIC TRANSMISSION ASSY.

HYDROSTATIC TRANSMISSION ASSY.

| <u>NO</u> | <u>PART NO</u> | <u>PART NAME</u> | <u>QTY.</u> | <u>REMARKS</u> |
|-----------|----------------|-----------------------------------|-------------|----------------|
| 1 | 20559-001 | SPRING, EXT. 3.38FL X 71OD X .105 | 1 | |
| 2 | 1493 | SCREW, HHC 3/8-18 X 3.25 | 4 | |
| 3 | 28836-001 | LINK, RETURN SPRING | 1 | |
| 4 | 10133 | NUT, NYLOC 3/8-16 | 7 | |
| 5 | 10136 | WASHER, FLAT SAE 3/8 | 8 | |
| 6 | 1023 | SCREW, HHC 3/8-16 X 1 1/4 GR 5 | 2 | |
| 7 | 15354 | TRANSMISSION, HYD EATON | 1 | |
| 8 | 1578 | KEY, WOODRUFF #3 | 2 | |
| 9 | 0166 A | WASHER, LOCK 3/8 MED. | 4 | |
| 10 | 1456 | NUT, HEX FINISH 3/8-16 | 4 | |
| 11 | 28828-351 | SHIFT ARM ASSY. | 1 | |
| 12 | 28829-001 | PIN, PIVOT | 2 | |
| 13 | 10450 | SCREW, SHS 10-32 X 1/4 | 1 | |
| 14 | 103530-000 | CAP, TRANSMISSION | 1 | |

STOW CUTTER 3 CE SAW — HYDROSTATIC DRIVE ASSY.

HYDROSTATIC DRIVE ASSY.



NOTES:

- 1 USE LOCTITE
P/N 60091 (BLUE)
- 2 ATTACH TO ITEM 4,
20HP HONDA ENGINE ASSY.
- 3 SEE 13 HP ENGINE ASSY.,
REQUIRES A 4-GROOVE
PULLEY, ITEM 2.
- 4 SEE 20 HP ENGINE ASSY.,
REQUIRES A SINGLE-GROOVE
PULLEY, ITEM 6

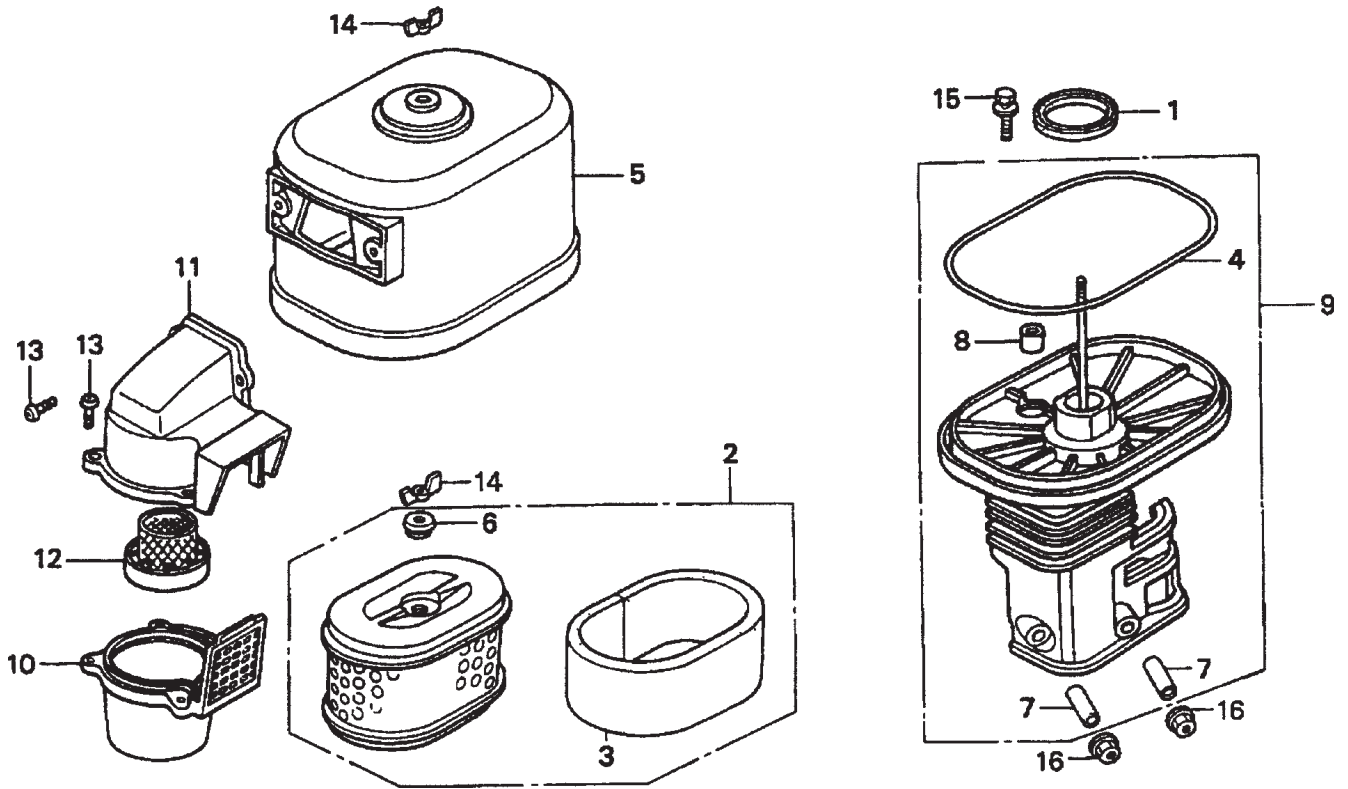
STOW CUTTER 3 CE SAW — HYDROSTATIC DRIVE ASSY.

HYDROSTATIC DRIVE ASSY.

| <u>NO</u> | <u>PART NO</u> | <u>PART NAME</u> | <u>QTY.</u> | <u>REMARKS</u> |
|-----------|----------------|--------------------------------------|-------------|------------------------------|
| 1 | 23227-001 | SPROCKET, TRANSMISSION 12 TOOTH MACH | 1 | |
| 2 | 25039 | SCREW, SHS 10-24 X 1/4 | 2 | |
| 3 | 23231-503 | CHAIN, ROLLER .375 PITCH X 21.75 | 1 | |
| 4 | 10504-035 | LINK, CHAIN | 1 | |
| 5 | 5283 | NUT, NYLOC 5/16-18 | 8 | |
| 6 | 28084-001 | SPROCKET, 3548 X 3/4 | 1 | |
| 7 | 0126 | KEY, WOODRUFF #9 | 3 | |
| 8 | 28832-001 | JACKSHAFT | 1 | |
| 9 | 23284-001 | BEARING, FLANGE .34SQ x 3/4ID | 2 | |
| 10 | 0300 B | WASHER, FLAT SAE 5/16 | 4 | |
| 11 | 2623 | SCREW, HHC 5/16-18 X 1-1/4 | 4 | |
| 12 | 28831-001 | GEAR, DRIVE | 2 | |
| 13 | 1578 | KEY, WOODRUFF #3 | 1 | |
| 14 | 28087-001 | PULLEY, MA60 X 17MM | 1 | |
| 15 | 25682-001 | IDLER PULLEY | 1 | |
| 16 | 9154 | SCREW, HHC 3/8-16 X 1 3/4 | 1 | |
| 17 | 10136 | WASHER, FLAT SAE 3/8 | 1 | |
| 18 | 10133 | NUT, NYLOC 3/8-16 | 4 | |
| 19 | 23303-001 | IDLER ARM | 1 | |
| 20 | 23230-001 | SPRING EXT. IDLE | 1 | |
| 21 | 1284 | SCREW, HHC 3/8-16 X 1 1/2 | 1 | |
| 22 | 18574-004 | WASHER, BELLEVILLE 3/8 | 1 | |
| 23 | 28864-001 | WASHER, FIBRE | 1 | |
| 25 | 07055-050 | V-BELT, TRANSMISSION 4L500 | 1 | 13HP SELF-PROP. MODELS |
| 25 | 07055-051 | V-BELT, TRANSMISSION 4L510 | 1 | 20HP SELF-PROP. MODELS |

HONDA GX390K1QWT2 ENGINE — AIR CLEANER ASSY.

AIR CLEANER ASSY.



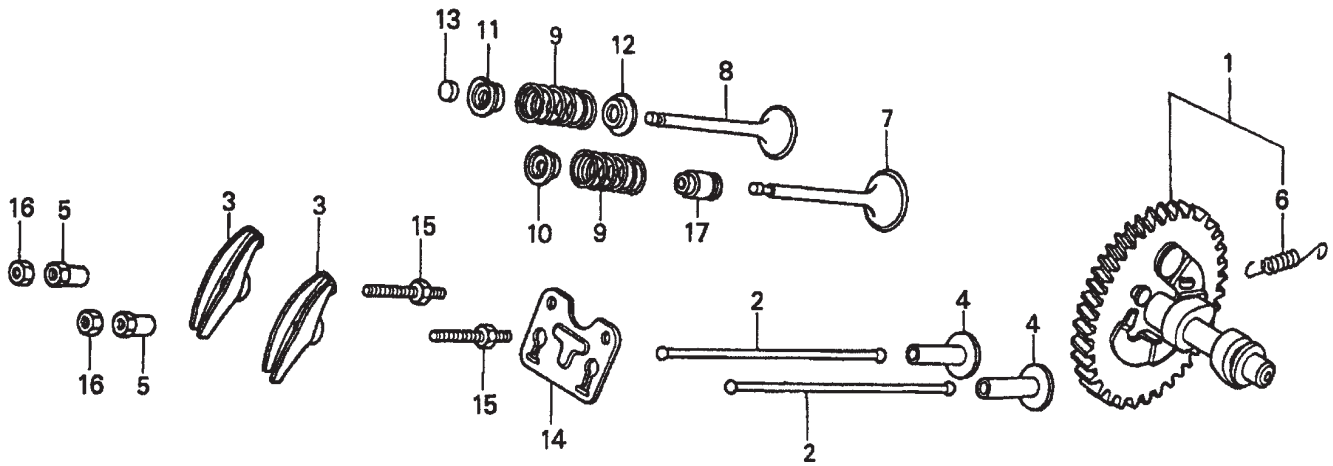
HONDA GX390K1QWT2 ENGINE — AIR CLEANER ASSY.

AIR CLEANER ASSY.

| <u>NO.</u> | <u>PART NO.</u> | <u>PART NAME</u> | <u>QTY.</u> | <u>REMARKS</u> |
|------------|-----------------|------------------------------|-------------|--------------------|
| 1 | 16271ZE2000 | GASKET, ELBOW | 1 | |
| 2 | 17210ZE3505 | ELEMENT, AIR CLEANER | 1 | INCLUDES ITEMS W/* |
| 3* | 17218ZE3505 | FILTER, OUTER | 1 | |
| 4# | 17219HA2405 | SEAL, AIR CLEANER COVER | 1 | |
| 5 | 17230ZE3841 | COVER, AIR CLEANER (CYCLONE) | 1 | |
| 6* | 17232891000 | GROMMET, AIR CLEANER | 1 | |
| 7# | 17238ZE2310 | COLLAR, AIR CLEANER | 2 | |
| 8# | 17239ZE3840 | COLLAR B, AIR CLEANER | 1 | |
| 9 | 17410ZE3840 | ELBOW, AIR CLEANER | 1 | INCLUDES ITEMS W/# |
| 10 | 17470ZE3841 | CASE, PRE AIR CLEANER | 1 | |
| 11 | 17475ZE3841 | CAP, PRE AIR CLEANER | 1 | |
| 12 | 17476ZE3841 | GUIDE, PRE AIR CLEANER | 1 | |
| 13 | 90142MB0000 | SCREW, PAN 5X16.5 | 5 | |
| 14 | 90325044000 | WINGNUT, TOOL BOX SETTING | 2 | |
| 15 | 90009ZE2003 | BOLT- WASHER 6X22 | 1 | |
| 16 | 0405006000 | NUT, FLANGE 6MM | 2 | |

HONDA GX390K1QWT2 ENGINE — CAMSHAFT ASSY.

CAMSHAFT ASSY.



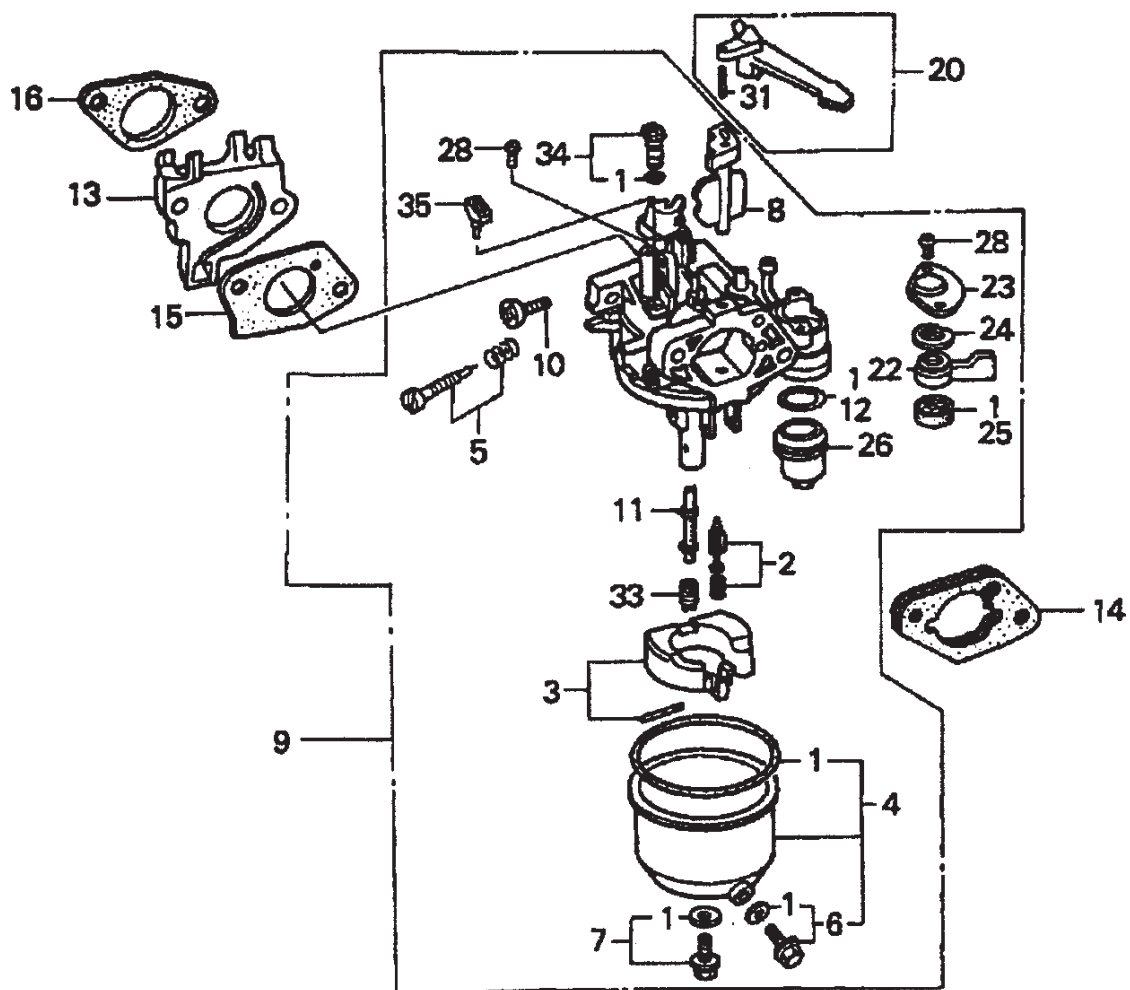
HONDA GX390K1QWT2 ENGINE — CAMSHAFT ASSY.

CAMSHAFT ASSY.

| <u>NO.</u> | <u>PART NO.</u> | <u>PART NAME</u> | <u>QTY.</u> | <u>REMARKS</u> |
|------------|-----------------|--------------------------------|-------------|-------------------|
| 1 | 14100ZF6W01 | CAMSHAFT ASSEMBLY | 1 | INCLUDES ITEM W/* |
| 2 | 14410ZE3013 | ROD, PUSH | 2 | |
| 3 | 14431ZE2010 | ARM, VALVE ROCKER | 2 | |
| 4 | 14441ZE2000 | LIFTER, VALVE | 2 | |
| 5 | 14451ZE1013 | PIVOT, ROCKER ARM | 2 | |
| 6* | 14568ZE1000 | SPRING, WEIGHT RETURN | 1 | |
| 7 | 14711ZE3000 | VALVE, INTAKE | 1 | |
| 8 | 14721ZE3000 | VALVE, EXHAUST | 1 | |
| 9 | 14751ZE2003 | SPRING, VALVE | 2 | |
| 10 | 14771ZE2000 | RETAINER, INTAKE VALVE SPRING | 1 | |
| 11 | 14773ZE2000 | RETAINER, EXHAUST VALVE SPRING | 1 | |
| 12 | 14775ZE2010 | SEAT, VALVE SPRING | 1 | |
| 13 | 14781ZE2000 | ROTATOR, VALVE | 1 | |
| 14 | 14791ZE2010 | PLATE, PUSH ROD GUIDE | 1 | |
| 15 | 90012ZE0010 | BOLT, PIVOT 8MM | 2 | |
| 16 | 90206ZE1000 | NUT, PIVOT ADJ. | 2 | |
| 17 | 12209ZE8003 | SEAL, VALVE STEM | 1 | |

HONDA GX390K1QWT2 ENGINE — CARBURETOR ASSY.

CARBURETOR ASSY.



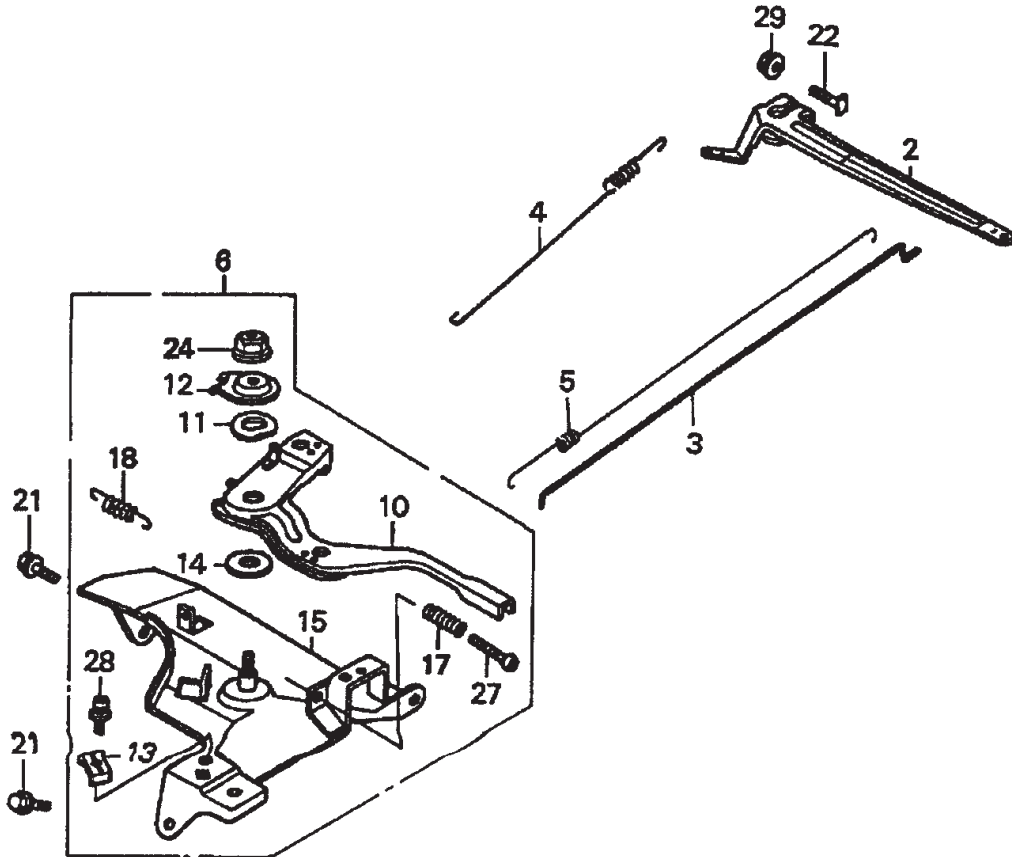
HONDA GX390K1QWT2 ENGINE — CARBURETOR ASSY.

CARBURETOR ASSY.

| <u>NO.</u> | <u>PART NO.</u> | <u>PART NAME</u> | <u>QTY.</u> | <u>REMARKS</u> |
|------------|-----------------|----------------------------------|-------------|--------------------|
| 1*#+ | 16010ZE2812 | GASKET SET | 1 | |
| 2* | 16011ZA0931 | VALVE SET, FLOAT | 1 | |
| 3* | 16013ZA0931 | FLOAT SET | 1 | |
| 4* | 16015ZE8005 | CHAMBER SET, FLOAT | 1 | INCLUDES ITEMS W/+ |
| 5* | 16016ZH7W01 | SCREW SET | 1 | |
| 6*+ | 16024ZE1811 | SCREW SET, DRAIN | 1 | INCLUDES ITEM W/# |
| 7* | 16028ZE0005 | SCREW SET B | 1 | INCLUDES ITEM W/# |
| 8* | 16044ZE3W20 | CHOKE SET | 1 | |
| 9 | 16100ZF6V21 | CARBURETOR ASSY. (BE85C B) | 1 | INCLUDES ITEMS W/* |
| 10* | 16124ZE0005 | SCREW, THROTTLE STOP | 1 | |
| 11* | 16166ZF6W10 | NOZZLE, MAIN | 1 | |
| 12* | 16173001004 | GASKET, FUEL STRAINER CUP | 1 | |
| 13 | 16211ZF6000 | INSULATOR, CARBURETOR | 1 | |
| 14 | 16220ZA0702 | SPACER, CARBURETOR | 1 | |
| 15 | 16221ZF6800 | GASKET, CARBURETOR | 1 | |
| 16 | 16223ZE3W00 | GASKET, INSULATOR | 1 | |
| 20 | 16610ZE1000 | LEVER, CHOKE (STD) | 1 | INCLUDES ITEM W/\$ |
| 22* | 16953ZE1812 | LEVER, VALVE | 1 | |
| 23* | 16954ZE1812 | PLATE, LEVER SETTING | 1 | |
| 24* | 16956ZE1811 | SPRING, VALVE LEVER | 1 | |
| 25* | 16957ZE1812 | GASKET, VALVE | 1 | |
| 26* | 16967ZE0811 | CUP, FUEL STRAINER | 1 | |
| 28* | 93500030060H | SCREW, PAN (3X6) | 2 | |
| 31\$ | 9430520122 | PIN, SPRING (2X12) | 1 | |
| 33* | 99101ZH80950 | JET, MAIN (#95) (OPTIONAL) | 1 | |
| 33 | 99101ZH80980 | JET, MAIN (#98) (OPTIONAL) | 1 | |
| 33* | 99101ZH81000 | JET, MAIN (#100) | 1 | |
| 34* | 99204ZA00450 | JET SET, PILOT (#45) | 1 | INCLUDES ITEM W/# |
| 35* | 16172ZE3W10 | COLLAR, SET | 1 | |

HONDA GX390K1QWT2 ENGINE — CONTROL ASSY.

CONTROL ASSY.



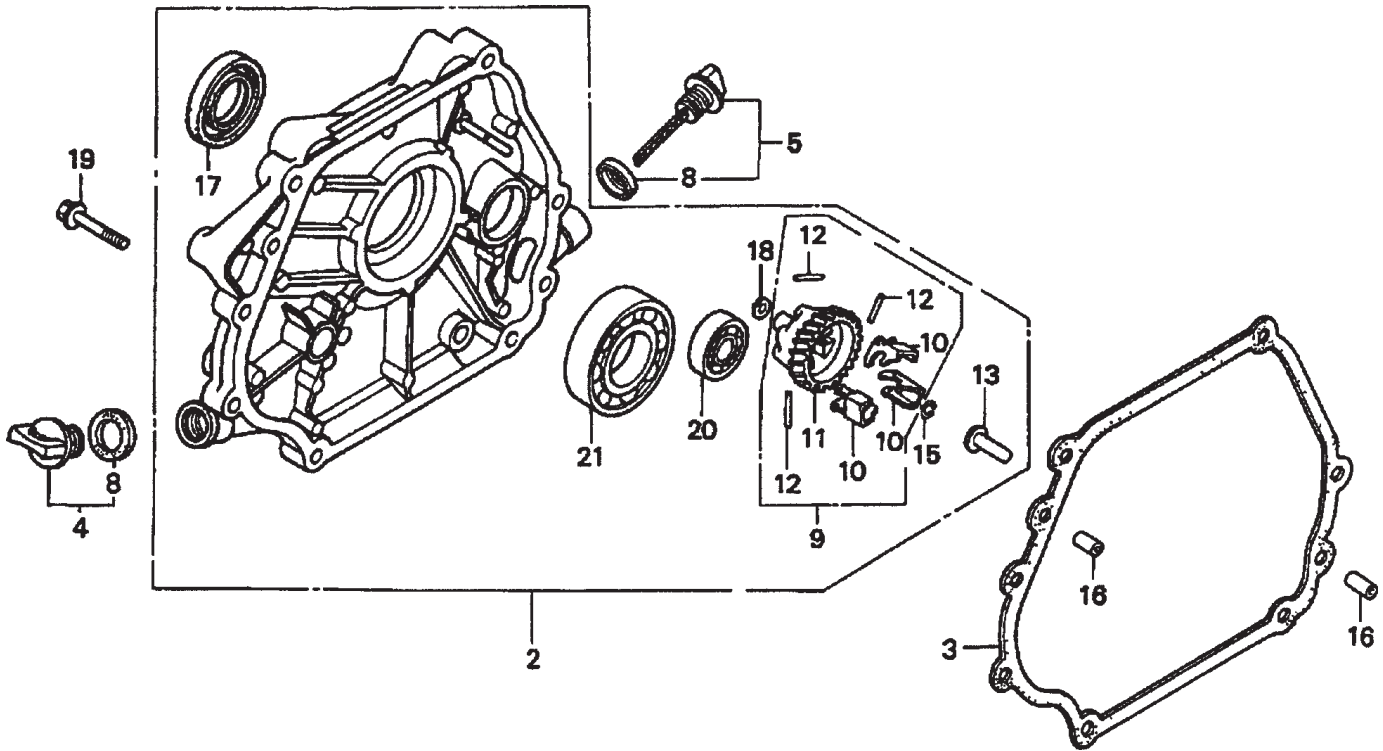
HONDA GX390K1QWT2 ENGINE — CONTROL ASSY.

CONTROL ASSY.

| <u>NO.</u> | <u>PART NO.</u> | <u>PART NAME</u> | <u>QTY.</u> | <u>REMARKS</u> |
|------------|-----------------|------------------------------|-------------|--------------------|
| 2 | 16551ZE3000 | ARM, GOVERNOR | 1 | |
| 3 | 16555ZE3000 | ROD, GOVERNOR | 1 | |
| 4 | 16561ZE3000 | SPRING, GOVERNOR | 1 | |
| 5 | 16562ZE3000 | SPRING, THROTTLE RETURN | 1 | |
| 6 | 16570ZE3W20 | CONTROL ASSY. (REMOTE) | 1 | INCLUDES ITEMS W/* |
| 10* | 16571ZE3W00 | LEVER, CONTROL | 1 | |
| 11* | 16574ZE1000 | SPRING, LEVER | 1 | |
| 12* | 16575ZE2W00 | WASHER, CONTROL LEVER | 1 | |
| 13* | 16576891000 | HOLDER, CABLE | 1 | |
| 14* | 16578ZE1000 | SPACER, CONTROL LEVER | 1 | |
| 15* | 16581ZE3W00 | BASE, CONTROL | 1 | |
| 17* | 16584883300 | SPRING, CONTROL ADJUSTING | 1 | |
| 18* | 16592883310 | SPRING, CABLE RETURN | 1 | |
| 21 | 90013883000 | BOLT, FLANGE (6X12) (CT200) | 2 | |
| 22 | 90015ZE5010 | BOLT, GOVERNOR ARM | 1 | |
| 24* | 90114SA0000 | NUT, SELF-LOCK (6MM) | 1 | |
| 27* | 93500050320A | SCREW, PAN (5X32) | 1 | |
| 28* | 93500050160A | SCREW, PAN (5X16) | 1 | |
| 29 | 9405006000 | NUT, FLANGE (6MM) | 1 | |

HONDA GX390K1QWT2 ENGINE — CRANKCASE ASSY.

CRANKCASE COVER ASSY.



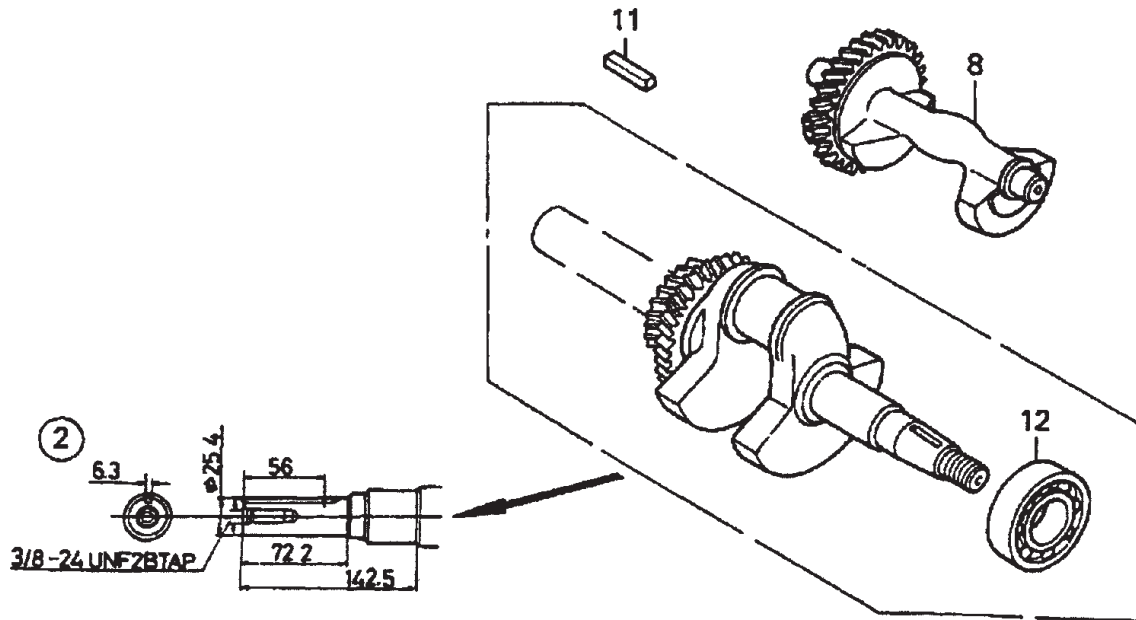
HONDA GX390K1QWT2 ENGINE — CRANKCASE ASSY.

CRANKCASE COVER ASSY.

| <u>NO.</u> | <u>PART NO.</u> | <u>PART NAME</u> | <u>QTY.</u> | <u>REMARKS</u> |
|------------|-----------------|--------------------------------------|-------------|--------------------|
| 2 | 11300ZE3602 | COVER ASSY., CRANKCASE (Q-TYPE)..... | 1 | INCLUDES ITEMS W/* |
| 3 | 11381ZE3801 | GASKET, CASE COVER | 1 | |
| 4 | 15600ZG4003 | CAP ASSY., OIL FILLER | 1 | INCLUDES ITEM W/# |
| 5 | 15600735003 | CAP ASSY., OIL FILLER | 1 | INCLUDES ITEM W/# |
| 8# | 15625ZE1003 | GASKET, OIL FILLER CAP | 2 | |
| 9 | 16510ZE3000 | GOVERNOR ASSY..... | 1 | INCLUDES ITEMS W/+ |
| 10*+ | 16511ZE8000 | WEIGHT, GOVERNOR | 3 | |
| 11*+ | 16512ZE3000 | HOLDER, GOVERNOR WEIGHT | 1 | |
| 12*+ | 16513ZE2000 | PIN, GOVERNOR WEIGHT | 3 | |
| 13* | 16531ZE2000 | SLIDER, GOVERNOR | 1 | |
| 13* | 16531Z0A000 | SLIDER, GOVERNOR | 1 | |
| 15* | 90602ZE1000 | CLIP, GOVERNOR HOLDER | 1 | |
| 16 | 90701HC4000 | PIN, DOWEL (8X12) | 2 | |
| 17* | 91201ZE3004 | OIL SEAL (35X52X8) | 1 | |
| 18* | 9410106800 | WASHER, PLAIN (6MM) | 1 | |
| 19 | 957010804000 | BOLT, FLANGE (8X40) | 7 | |
| 20* | 961006202000 | BEARING, RADIAL BALL (6202) | 1 | |
| 21* | 961006207000 | BEARING, RADIAL BALL (6207) | 1 | |

HONDA GX390K1QWT2 ENGINE — CRANKSHAFT ASSY.

CRANKSHAFT ASSY.



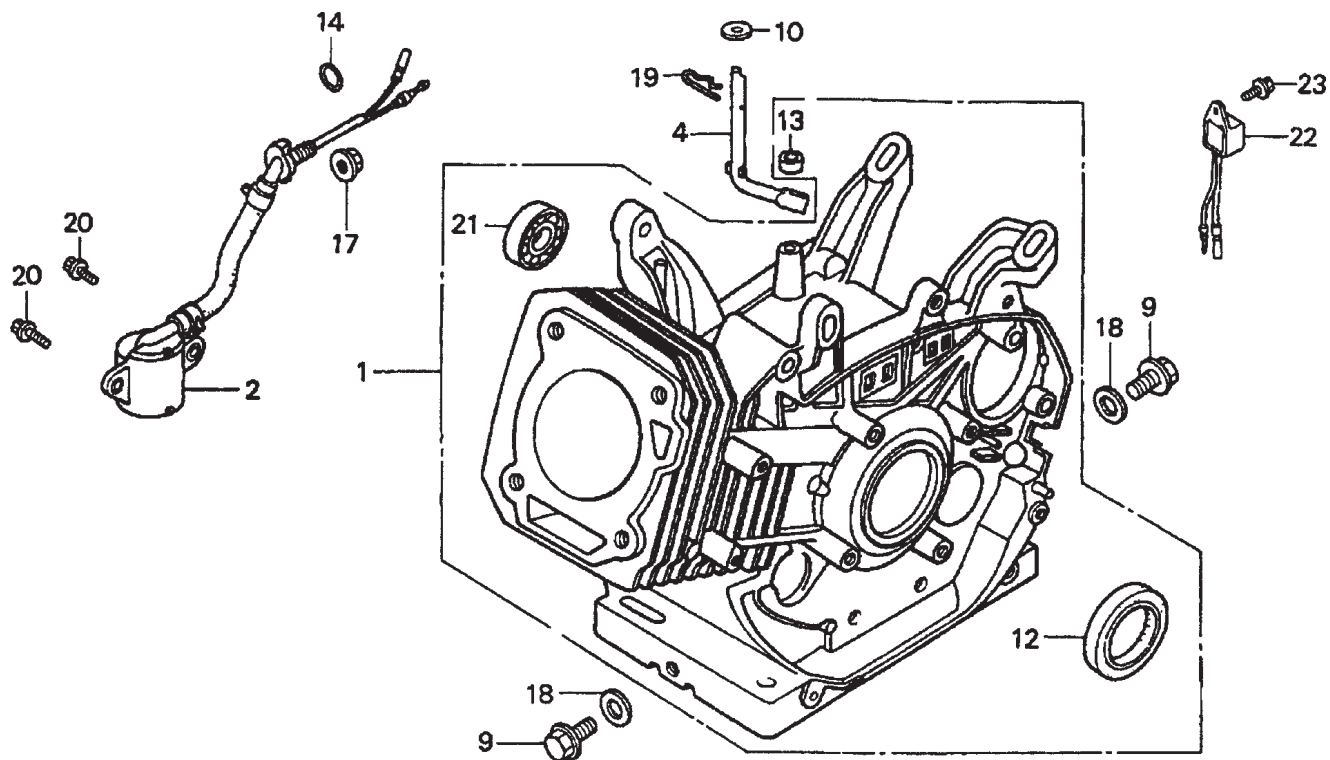
HONDA GX390K1QWT2 ENGINE — CRANKSHAFT ASSY.

CRANKSHAFT ASSY.

| <u>NO.</u> | <u>PART NO.</u> | <u>PART NAME</u> | <u>QTY.</u> | <u>REMARKS</u> |
|------------|-----------------|------------------------------|-------------|-------------------|
| 2 | 13310ZF6W10 | CRANKSHAFT (Q-TYPE)..... | 1 | INCLUDES ITEM W/* |
| 8 | 13351ZE3010 | WEIGHT, BALANCER | 1 | |
| 11 | 90745ZE2600 | KEY(6.3X6.3X43) | 1 | |
| 12* | 91001ZF6003 | BEARING, RADIAL BALL (6207S) | 1 | |

HONDA GX390K1QWT2 ENGINE — CYLINDER BARREL ASSY.

CYLINDER BARREL ASSY.



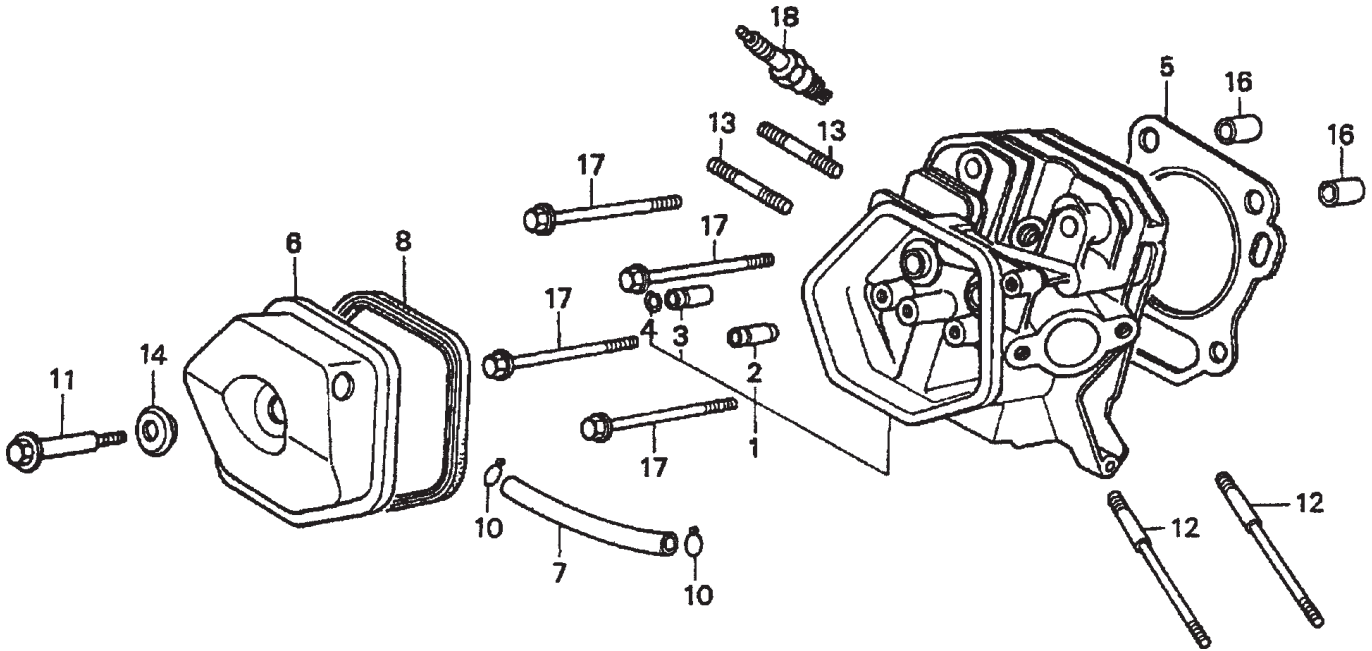
HONDA GX390K1QWT2 ENGINE — CYLINDER BARREL ASSY.

CYLINDER BARREL ASSY.

| <u>NO.</u> | <u>PART NO.</u> | <u>PART NAME</u> | <u>QTY.</u> | <u>REMARKS</u> |
|------------|-----------------|------------------------------|-------------|--------------------|
| 1 | 12000ZF6W13 | CYLINDER ASSY. (ALERT) | 1 | INCLUDES ITEMS W/* |
| 2 | 15510ZE2043 | SWITCH ASSY., OIL LEVEL | 1 | |
| 4 | 16541ZE3010 | SHAFT, GOVERNOR ARM | 1 | |
| 9 | 90131896650 | BOLT, DRAIN PLUG | 2 | |
| 10 | 90446KE1000 | WASHER (8.2X17X0.8) | 1 | |
| 12* | 91201ZE3004 | OIL SEAL (35X52X8) | 1 | |
| 13* | 91201ZE9003 | OIL SEAL (8X14X5) | 1 | |
| 14 | 91353671003 | O-RING (13.5X1.5) (ARAI) | 1 | |
| 17 | 9405010000 | NUT, FLANGE (10MM) | 1 | |
| 18 | 9410912000 | WASHER, DRAIN PLUG (12MM) | 2 | |
| 19 | 9425110000 | PIN, LOCK (10MM) | 1 | |
| 20 | 957010601200 | BOLT, FLANGE (6X12) | 2 | |
| 21* | 961006202000 | BEARING, RADIAL BALL (6202) | 1 | |
| 22 | 34150ZH7003 | ALERT UNIT, OIL | 1 | |
| 23 | 90013883000 | BOLT, FLANGE (6X12) (CT200) | 1 | |

HONDA GX390K1QWT2 ENGINE — CYLINDER HEAD ASSY.

CYLINDER HEAD ASSY.



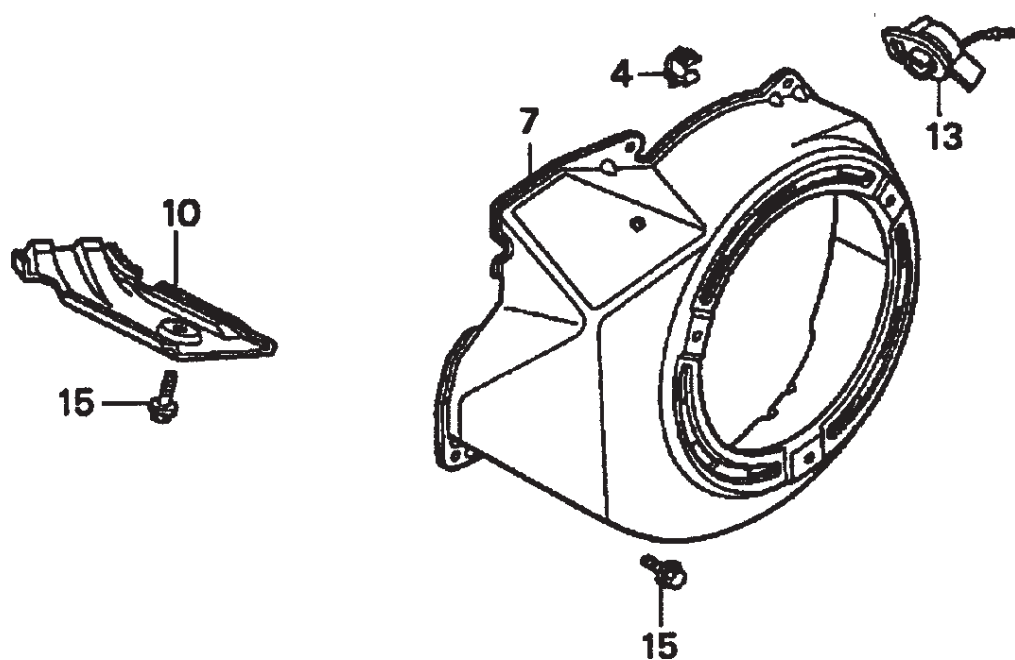
HONDA GX390K1QWT2 ENGINE — CYLINDER HEAD ASSY.

CYLINDER HEAD ASSY.

| <u>NO.</u> | <u>PART NO.</u> | <u>PART NAME</u> | <u>QTY.</u> | <u>REMARKS</u> |
|------------|-----------------|----------------------------------|-------------|--------------------|
| 1 | 12200ZF6W01 | CYLINDER HEAD | 1 | INCLUDES ITEMS W/* |
| 2* | 12204ZE2306 | GUIDE, VALVE (OS) (OPTIONAL) | 1 | |
| 3* | 12205ZE2305 | GUIDE, EX. VALVE (OS) (OPTIONAL) | 1 | |
| 4* | 12216ZE2300 | CLIP, VALVE GUIDE | 1 | |
| 5 | 12251ZF6W00 | GASKET, CYLINDER HEAD | 1 | |
| 6 | 12310ZE3791 | COVER, HEAD | 1 | |
| 7 | 12315ZE3840 | TUBE, BREATHER | 1 | |
| 8 | 12391ZE2020 | GASKET, CYLINDER HEAD COVER | 1 | |
| 10 | 17316611000 | CLIP, BREATHER TUBE | 2 | |
| 11 | 90014ZE2000 | BOLT, HEAD COVER | 1 | |
| 12 | 90042ZE8000 | BOLT, STUD (8X131.5) | 2 | |
| 13 | 92900080320E | BOLT 2, STUD (8X32) | 2 | |
| 14 | 90441ZE2010 | WASHER, HEAD COVER | 1 | |
| 16 | 9430112200 | PIN A, DOWEL (12X20) | 2 | |
| 17 | 957011008000 | BOLT, FLANGE (10X80) | 4 | |
| 18 | 9807955846 | SPARK PLUG (BPR5ES) (NGK) (OPT.) | 1 | |
| 18 | 9807956846 | SPARK PLUG (BPR6ES) (NGK) | 1 | |

HONDA GX390K1QWT2 ENGINE — FAN COVER ASSY.

FAN COVER ASSY.



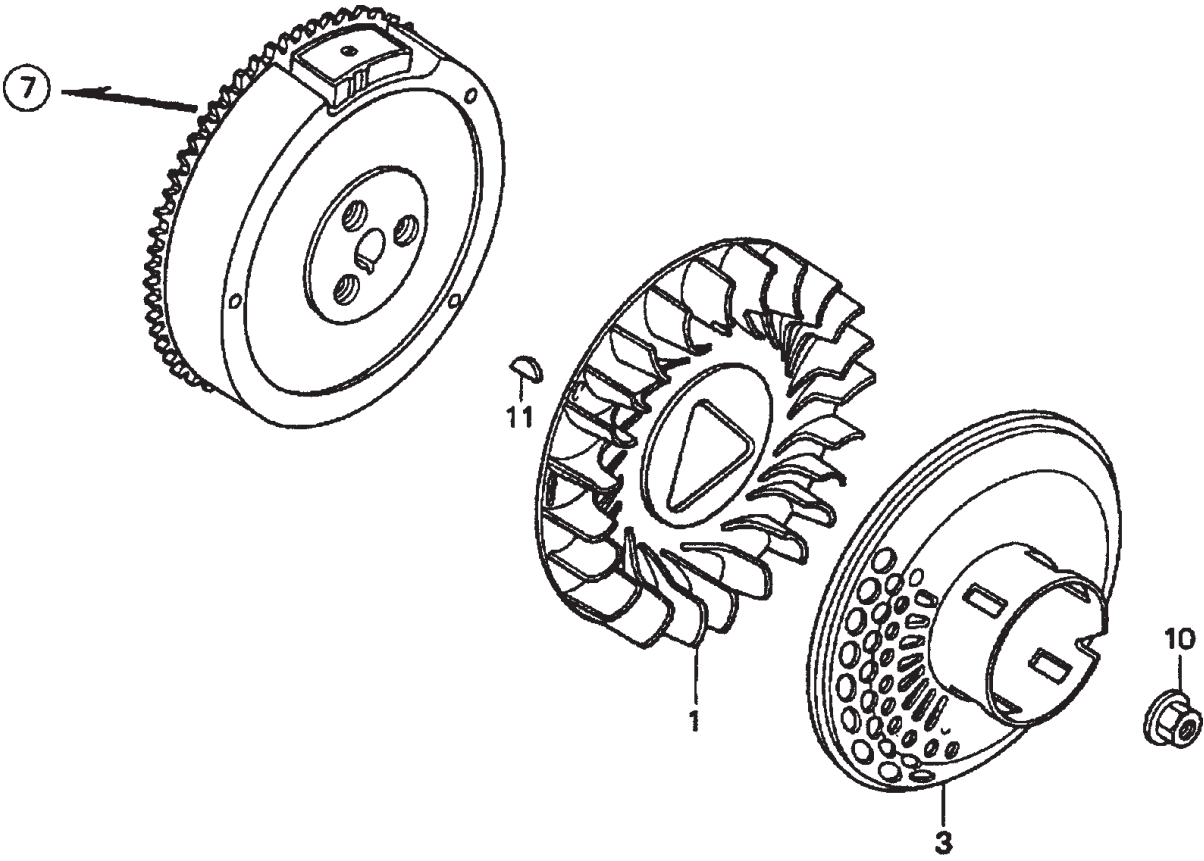
HONDA GX390K1QWT2 ENGINE — FAN COVER ASSY.

FAN COVER ASSY.

| <u>NO.</u> | <u>PART NO.</u> | <u>PART NAME</u> | <u>QTY.</u> | <u>REMARKS</u> |
|------------|-----------------|-----------------------------|-------------|----------------|
| 4 | 16731ZE2003 | CLIP, TUBE | 1 | |
| 7 | 19610ZE3010ZB | COVER, FAN *NH1* (BLACK) | 1 | |
| 10 | 19631ZE3W00 | SHROUD | 1 | |
| 13 | 36100ZH7003 | SWITCH ASSY., ENGINE STOP | 1 | |
| 15 | 90013883000 | BOLT, FLANGE (6X12) (CT200) | 6 | |

HONDA GX390K1QWT2 ENGINE — FLYWHEEL ASSY.

FLYWHEEL ASSY.



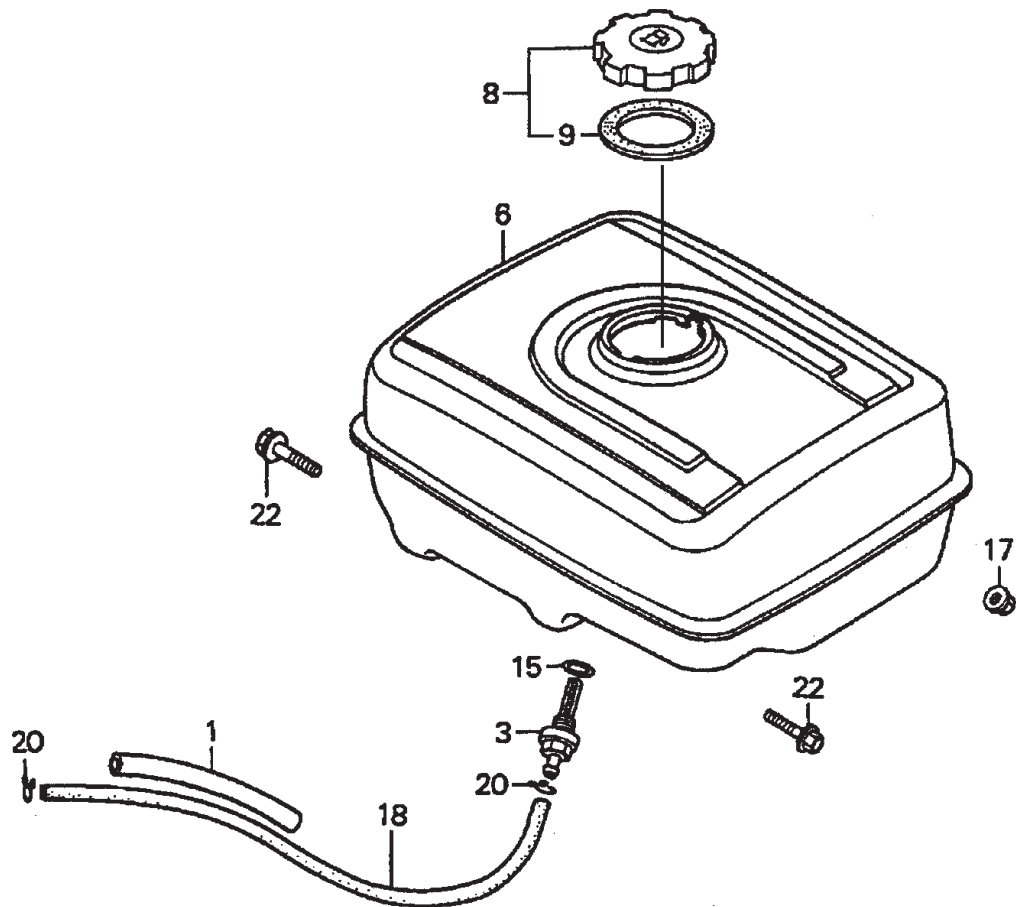
HONDA GX390K1QWT2 ENGINE — FLYWHEEL ASSY.

FLYWHEEL ASSY.

| <u>NO.</u> | <u>PART NO.</u> | <u>PART NAME</u> | <u>QTY.</u> | <u>REMARKS</u> |
|------------|-----------------|-------------------------------|-------------|----------------|
| 1 | 19511ZE3000 | FAN, COOLING | 1 | |
| 3 | 28450ZE3W11 | PULLEY, STARTER (SCREEN GRID) | 1 | |
| 7 | 31100ZE3701 | FLYWHEEL | 1 | |
| 10 | 90201ZE3V00 | NUT, SPECIAL (16MM) (1) | 1 | |
| 11 | 90741ZE2000 | KEY, SPECIAL WOODRUFF (25X18) | 1 | |

HONDA GX390K1QWT2 ENGINE — FUEL TANK ASSY.

FUEL TANK ASSY.



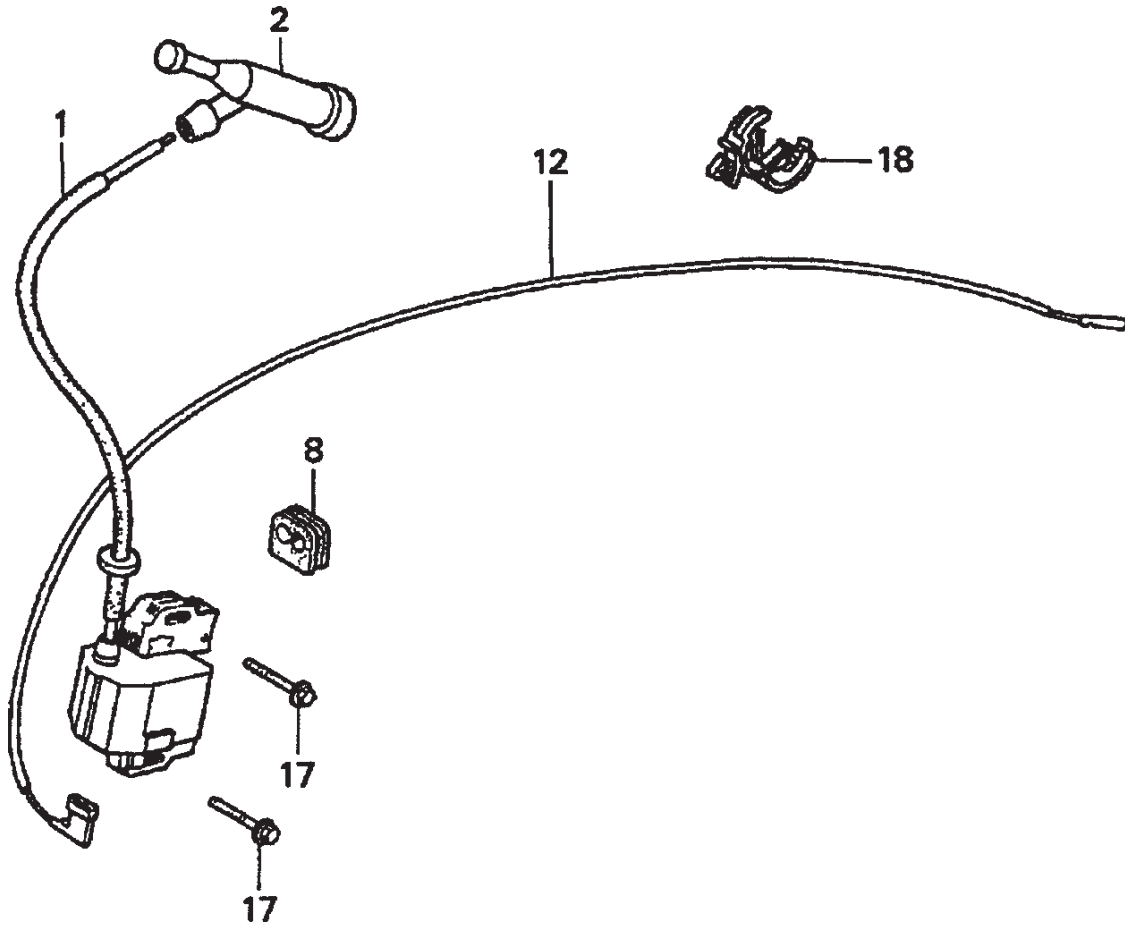
HONDA GX390K1QWT2 ENGINE — FUEL TANK ASSY.

FUEL TANK ASSY.

| <u>NO.</u> | <u>PART NO.</u> | <u>PART NAME</u> | <u>QTY.</u> | <u>REMARKS</u> |
|------------|-----------------|--------------------------------------|-------------|-------------------|
| 1 | 16854ZH8000 | RUBBER, SUPPORTER (107MM) | 1 | |
| 3 | 16955ZE1000 | JOINT, FUEL TANK | 1 | |
| 6 | 17510ZE3010ZB | TANK, FUEL *NH1* (BLACK) | 1 | |
| 8 | 17620ZH7023 | CAP, FUEL FILLER | 1 | INCLUDES ITEM W/* |
| 9* | 17631ZH7003 | GASKET, FUEL FILLER CAP | 1 | |
| 15 | 91353671003 | O-RING (13.5X1.5) (ARAI) | 1 | |
| 17 | 9405008000 | NUT, FLANGE (8MM) | 2 | |
| 18 | 950014500360M | BULK HOSE, FUEL (4.5X3000) (4.5X235) | 1 | |
| 20 | 9500202080 | CLIP, TUBE (B8) | 2 | |
| 22 | 957010802500 | BOLT, FLANGE (8X25) | 2 | |

HONDA GX390K1QWT2 ENGINE — IGNITION COIL ASSY.

IGNITION COIL ASSY.



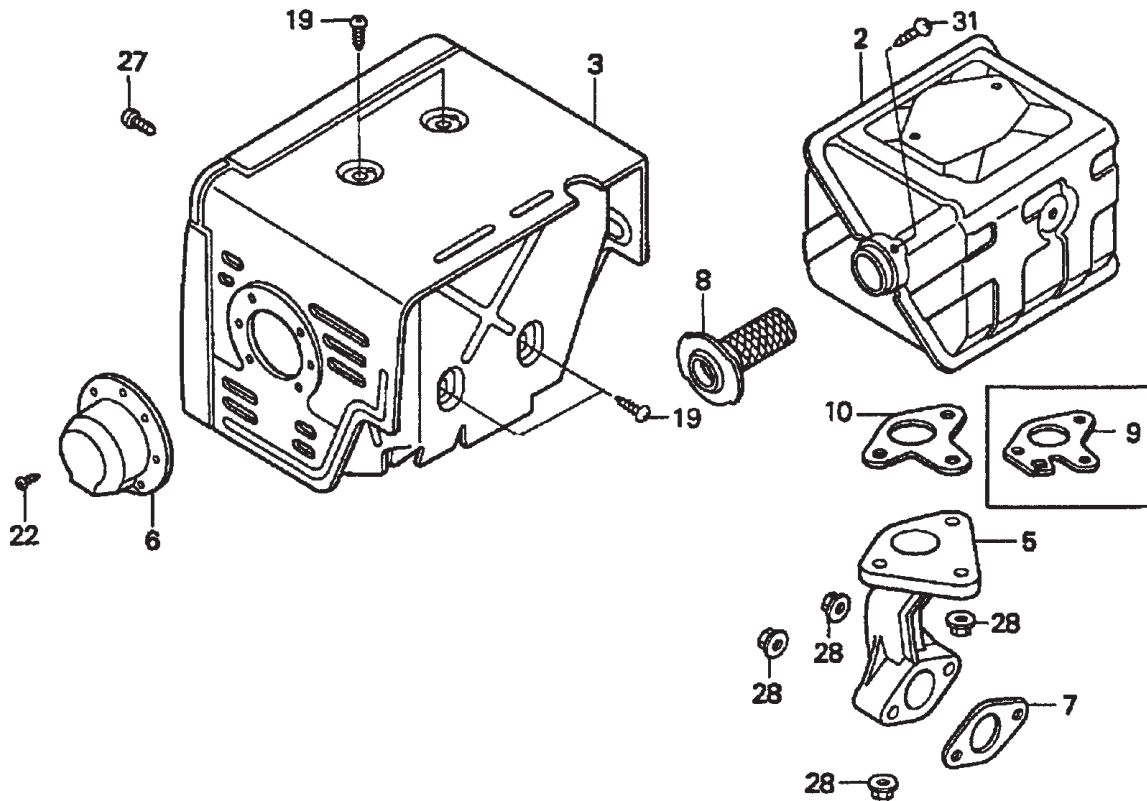
HONDA GX390K1QWT2 ENGINE — IGNITION COIL ASSY.

IGNITION COIL ASSY.

| <u>NO.</u> | <u>PART NO.</u> | <u>PART NAME</u> | <u>QTY.</u> | <u>REMARKS</u> |
|------------|-----------------|-----------------------------|-------------|----------------|
| 1 | 30500ZF6W01 | COIL ASSY., IGNITION | 1 | |
| 2 | 30700ZE1013 | CAP ASSY., NOISE SUPPRESSOR | 1 | |
| 8 | 31512ZE2000 | GROMMET, WIRE | 1 | |
| 12 | 36101ZE2701 | WIRE, STOP SWITCH (430MM) | 1 | |
| 17 | 90015883000 | BOLT, FLANGE (6X28) | 2 | |
| 18 | 90684ZA0601 | CLIP, WIRE HARNESS | 1 | |

HONDA GX390K1QWT2 ENGINE — MUFFLER ASSY.

MUFFLER (1) ASSY.



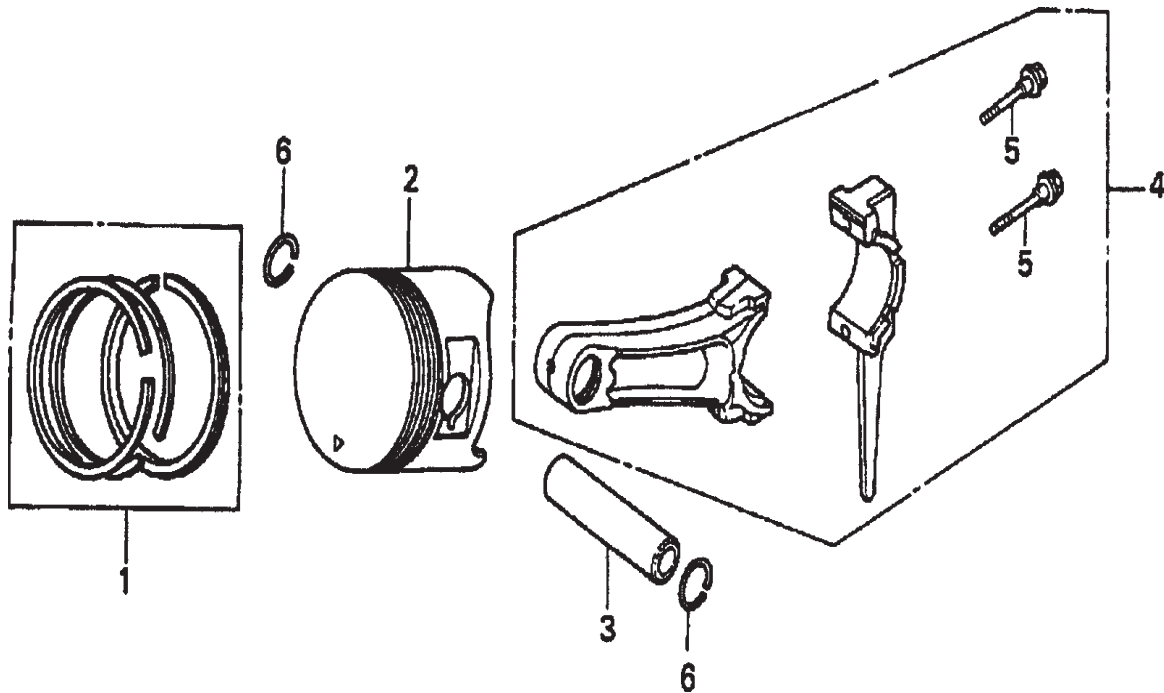
HONDA GX390K1QWT2 ENGINE — MUFFLER ASSY.

MUFFLER (1) ASSY.

| <u>NO.</u> | <u>PART NO.</u> | <u>PART NAME</u> | <u>QTY.</u> | <u>REMARKS</u> |
|------------|-----------------|---------------------------------------|-------------|----------------|
| 2 | 18310ZE2W61 | MUFFLER | 1 | |
| 3 | 18320ZE2W61 | PROTECTOR, MUFFLER | 1 | |
| 5 | 18330ZE2W00 | PIPE, EX. | 1 | |
| 6 | 18331ZE3810 | CAP, MUFFLER | 1 | |
| 7 | 18333ZF6W01 | GASKET, EX. PIPE | 1 | |
| 8 | 18355ZE2W00 | ARRESTER, SPARK (OPTIONAL) | 1 | |
| 9 | 18381ZE2W10 | GASKET, MUFFLER (ARRESTER) (OPTIONAL) | 1 | |
| 10 | 18381ZE2800 | GASKET, MUFFLER | 1 | |
| 19 | 90050ZE1000 | SCREW, TAPPING (5X8) | 4 | |
| 22 | 90055ZE1000 | SCREW, TAPPING (4X6) | 3 | |
| 27 | 90006ZE2000 | SCREW, TAPPING (6X10) | 1 | |
| 28 | 9405008000 | NUT, FLANGE (8MM) | 5 | |
| 31 | 90055ZE1000 | SCREW, TAPPING (4X6) | 1 | |

HONDA GX390K1QWT2 ENGINE — PISTON ASSY.

PISTON ASSY.



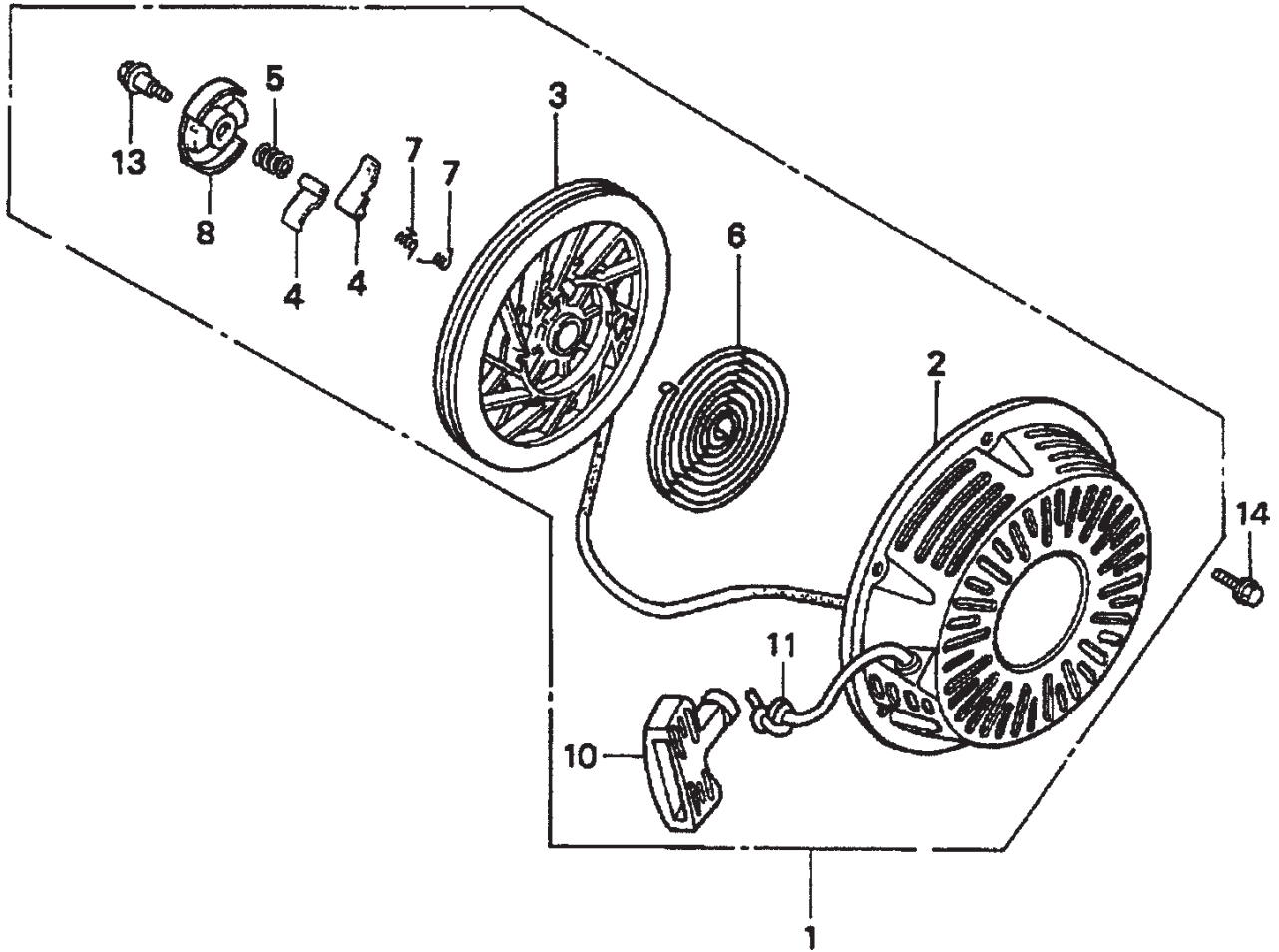
HONDA GX390K1QWT2 ENGINE — PISTON ASSY.

PISTON ASSY.

| <u>NO.</u> | <u>PART NO.</u> | <u>PART NAME</u> | <u>QTY.</u> | <u>REMARKS</u> |
|------------|-----------------|---|-------------|-------------------|
| 1 | 13010ZF6003 | RING SET, PISTON (STD) | 1 | |
| 1 | 13011ZF6003 | RING SET, PISTON (OS 0.25) (OPTIONAL) | 1 | |
| 1 | 13012ZF6003 | RING SET, PISTON (OS 0.50) (OPTIONAL) | 1 | |
| 1 | 13012ZF6005 | RING SET, PISTON (OS 0.50) (OPTIONAL) | 1 | |
| 1 | 13013ZF6003 | RING SET, PISTON (0.75) (NIPPON) | 1 | |
| 2 | 13101ZF6W00 | PISTON (STD) | 1 | |
| 2 | 13102ZF6W00 | PISTON (OS 0.25) (OPTIONAL) | 1 | |
| 2 | 13103ZF6W00 | PISTON (OS 0.50) (OPTIONAL) | 1 | |
| 2 | 13104ZF6W00 | PISTON (0.75) (OPTIONAL) | 1 | |
| 3 | 13111ZF6W00 | PIN, PISTON | 1 | |
| 4 | 13200ZE3010 | ROD ASSY., CONNECTING (STD) | 1 | INCLUDES ITEM W/* |
| 4 | 13200ZE3315 | ROD ASSY., CONNECTING(US 0.25) (OPT.) | 1 | INCLUDES ITEM W/* |
| 5* | 90001ZE8000 | BOLT, CONNECTING ROD | 2 | |
| 6 | 90601ZE3000 | CLIP, PISTON PIN (20MM) | 2 | |

HONDA GX390K1QWT2 ENGINE — RECOIL STATER ASSY.

RECOIL STARTER ASSY.



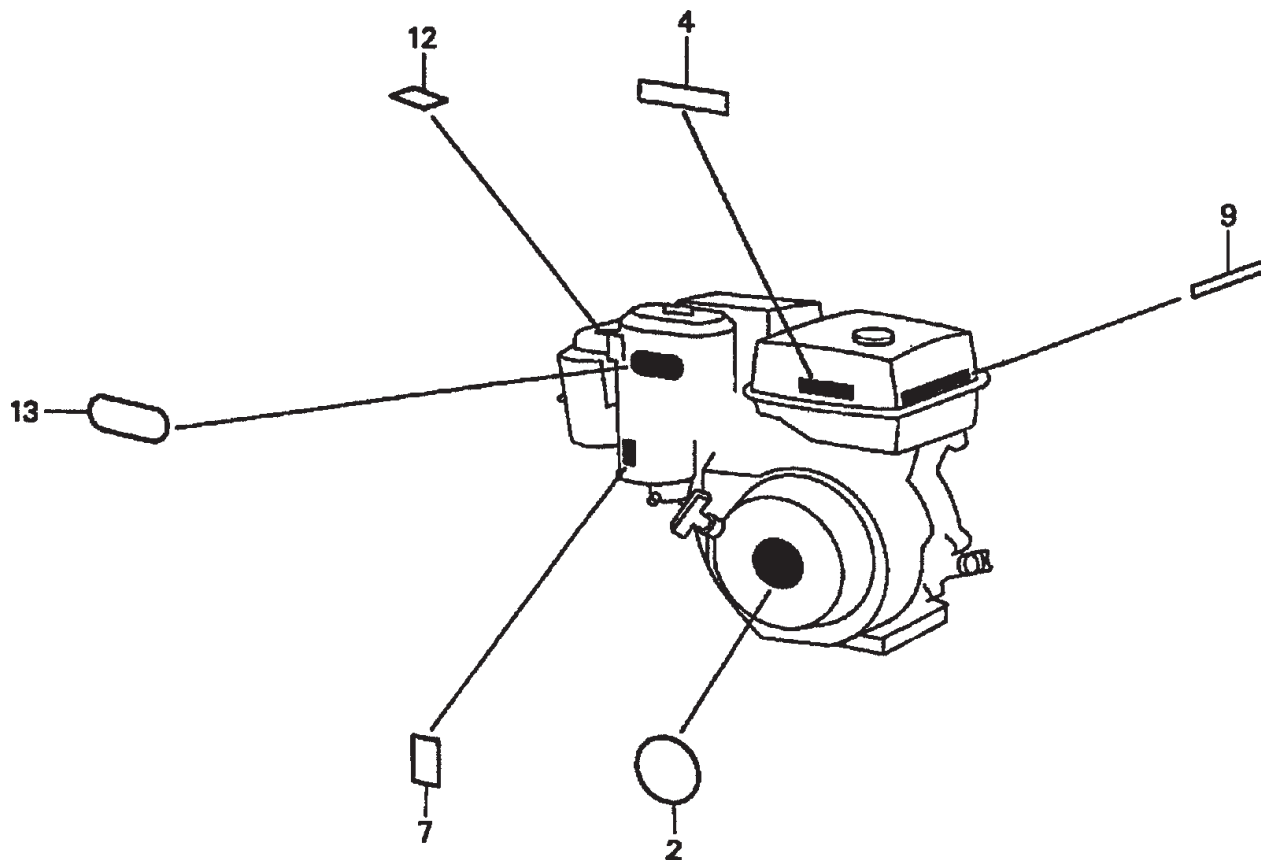
HONDA GX390K1QWT2 ENGINE — RECOIL STATER ASSY.

RECOIL STARTER ASSY.

| <u>NO.</u> | <u>PART NO.</u> | <u>PART NAME</u> | <u>QTY.</u> | <u>REMARKS</u> |
|------------|-----------------|---|-------------|--------------------|
| 1 | 28400ZE3W01ZB | STARTER ASSY., RECOIL *NH1* (BLACK) | 1 | INCLUDES ITEMS W/* |
| 2* | 28410ZE3W01ZB | CASE, RECOIL STARTER *NH1* (BLACK) | 1 | |
| 3* | 28421ZE3W01 | PULLEY, RECOIL STARTER | 1 | |
| 4* | 28422ZE2W01 | RATCHET, STARTER | 2 | |
| 5* | 28441ZE2W01 | SPRING, FRICTION | 1 | |
| 6* | 28442ZE2W01 | SPRING, STARTER RETURN | 1 | |
| 7* | 28443ZE2W01 | SPRING, RATCHET | 2 | |
| 8* | 28444ZE2W01 | RETAINER, SPRING | 1 | |
| 10* | 28461ZE2W02 | GRIP, STARTER | 1 | |
| 11* | 28462ZV7003 | ROPE, RECOIL STARTER | 1 | |
| 13* | 90004ZE2W01 | SCREW, CENTER | 1 | |
| 14 | 90008ZE2003 | BOLT, FLANGE (6X10) | 3 | |

HONDA GX390K1QWT2 ENGINE — LABELS ASSY.

LABELS ASSY.

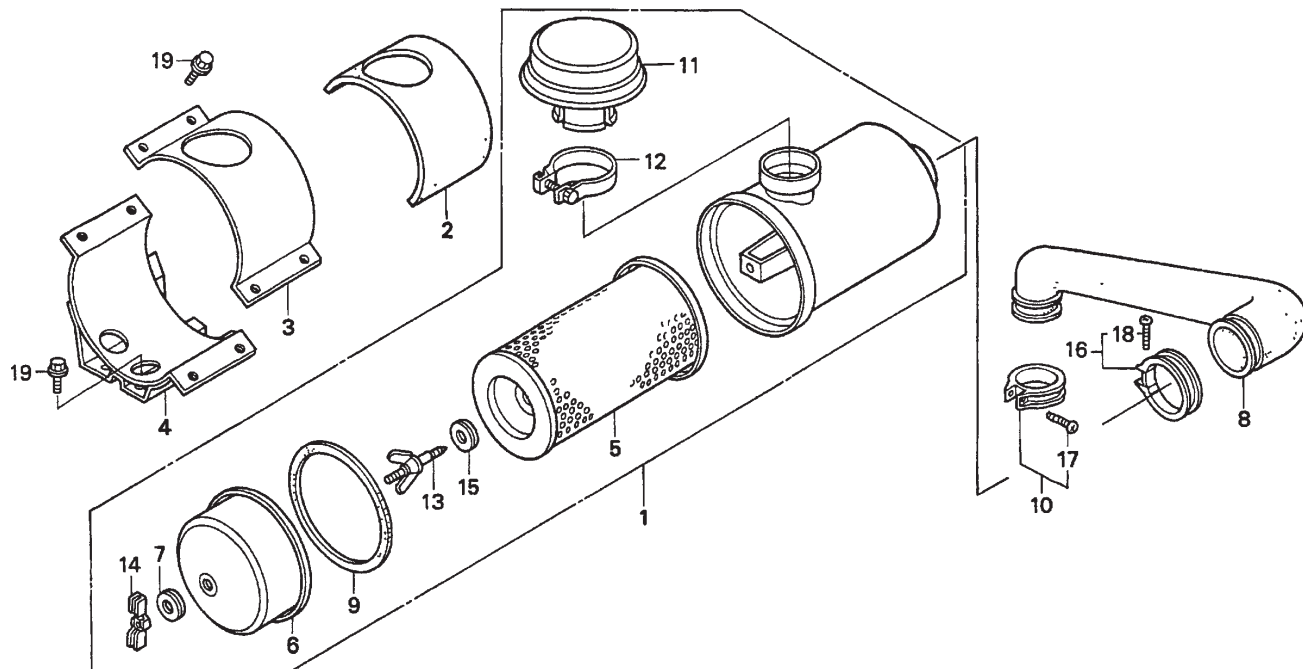


HONDA GX390K1QWT2 ENGINE — LABELS ASSY.

LABELS ASSY.

| <u>NO.</u> | <u>PART NO.</u> | <u>PART NAME</u> | <u>QTY.</u> | <u>REMARKS</u> |
|------------|-----------------|-------------------------------|-------------|----------------|
| 2 | 87521ZF6W01 | EMBLEM | 1 | |
| 4 | 87522ZH9000 | LABEL, CAUTION | 1 | |
| 7 | 87528ZE2810 | MARK, CHOKE (EXTERNAL) | 1 | |
| 9 | 87532ZH8810 | MARK, OIL ALERT (E) | 1 | |
| 12 | 87534ZE1841 | LABEL, AIR CLEANER CAUTION | 1 | |
| 13 | 87535ZE1840 | MARK, AIR CLEANER SALES POINT | 1 | |

HONDA GX620TXF2 ENGINE — AIR CLEANER ASSY.



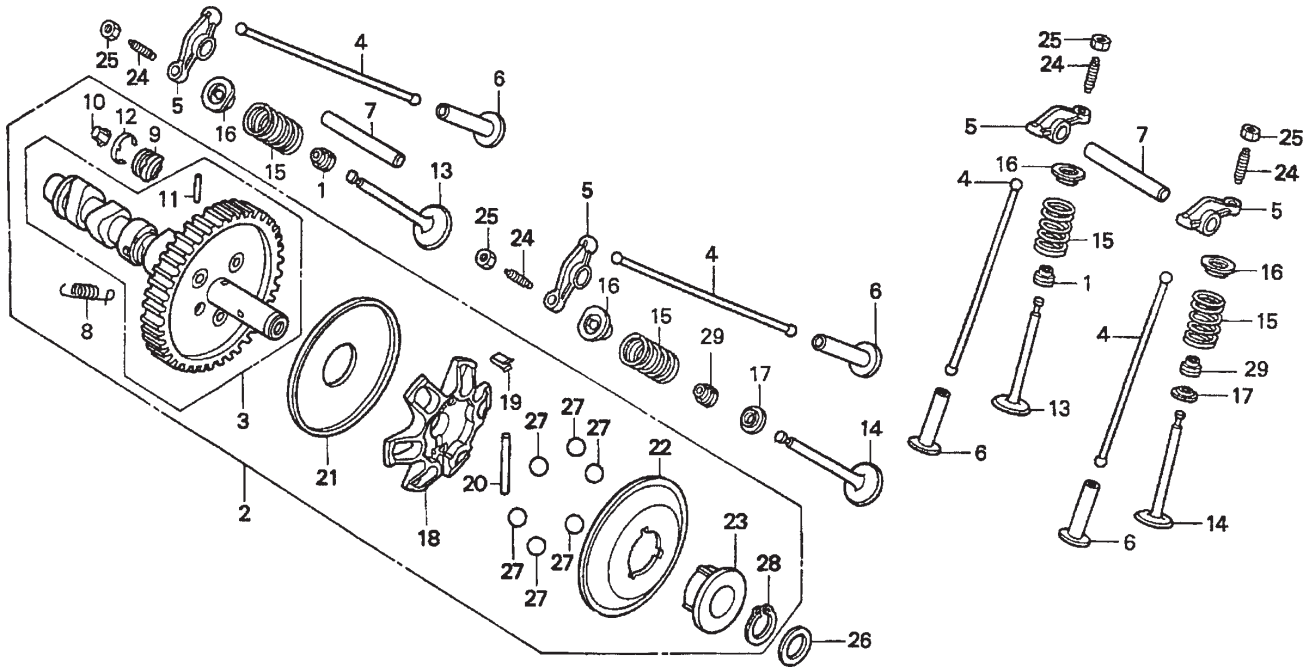
HONDA GX620TXF2 ENGINE — AIR CLEANER ASSY.

AIR CLEANER ASSY.

| <u>NO</u> | <u>PART NO</u> | <u>PART NAME</u> | <u>QTY.</u> | <u>REMARKS</u> |
|-----------|----------------|-----------------------------------|-------------|--------------------|
| 1 | 17200ZJ0U70 | AIR CLEANER ASSY. | 1 | INCLUDES ITEMS W/* |
| 2 | 17207ZJ0U70 | RUBBER, AIR CLEANER HOLDER | 1 | |
| 3 | 17208ZJ0U70 | HOLDER, AIR CLEANER, UPPER | 1 | |
| 4 | 17209ZJ0U70 | HOLDER, AIR CLEANER, LOWER | 1 | |
| 5* | 17210759013 | ELEMENT, AIR CLEANER | 1 | |
| 6* | 17230759003 | COVER, AIR CLEANER | 1 | |
| 7* | 17232891000 | GROMMET, AIR CLEANER | 1 | |
| 8 | 17251ZJ0U70 | TUBE, AIR CLEANER | 1 | |
| 9* | 17253759003 | SEAL, AIR CLEANER | 1 | |
| 10 | 17255758000 | BAND, AIR CLEANER CON. TUBE | 1 | INCLUDES ITEMS W/# |
| 11* | 17320ZG5801 | CAP, IN. | 1 | |
| 12* | 17330ZG5801 | CLAMP ASSY. | 1 | |
| 13* | 90113759003 | BOLT, AIR CLEANER | 1 | |
| 14* | 90203ZA0800 | WINGNUT, 6MM | 1 | |
| 15* | 90502759003 | WASHER, AIR CLEANER | 1 | |
| 16 | 95018750250 | BAND, AIR CLEANER | 1 | INCLUDES ITEMS W/+ |
| 17# | 935000402100A | SCREW, PAN 4X20 | 1 | |
| 18+ | 93500040250G | SCREW, PAN 4X25 | 1 | |
| 19 | 957010601200 | BOLT, FLANGE 6X12 | 1 | |

HONDA GX620TXF2 ENGINE — CAMSHAFT ASSY.

CAMSHAFT ASSY.



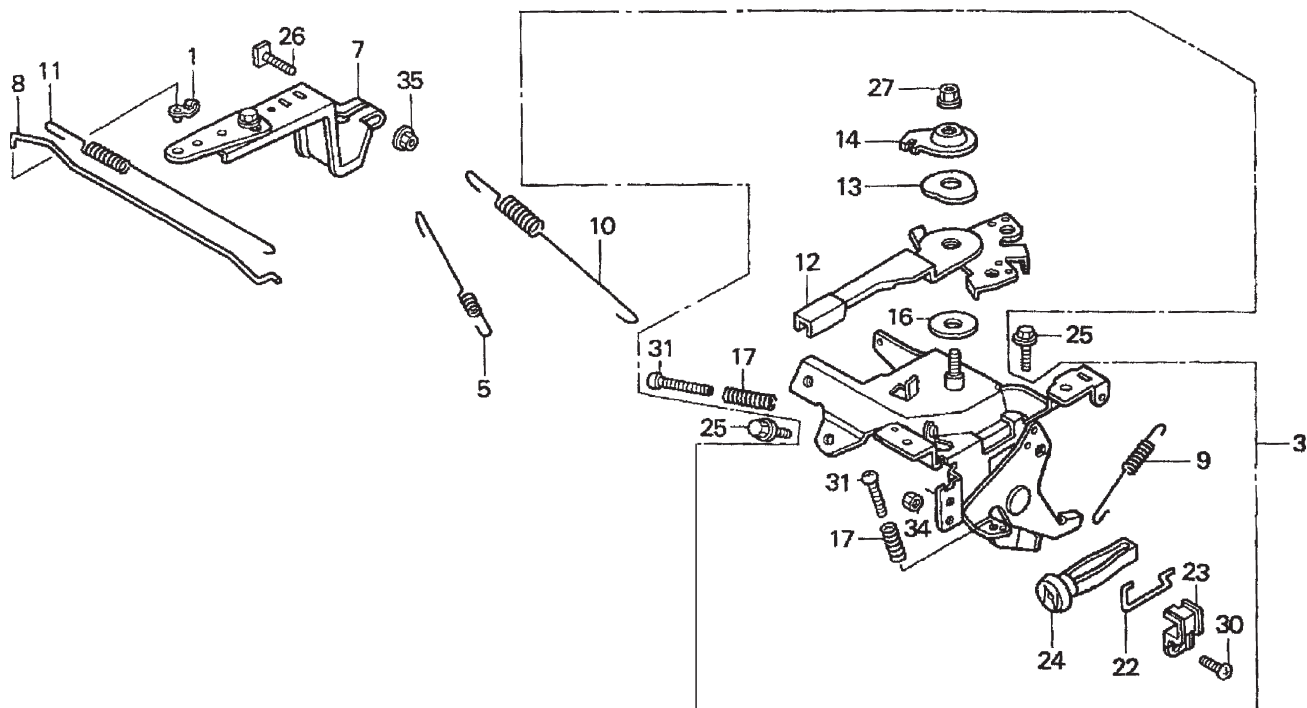
HONDA GX620TXF2 ENGINE — CAMSHAFT ASSY.

CAMSHAFT ASSY.

| <u>NO</u> | <u>PART NO</u> | <u>PART NAME</u> | <u>QTY.</u> | <u>REMARKS</u> |
|-----------|----------------|----------------------------------|-------------|--------------------|
| 1 | 12209ZE8003 | SEAL, VALVE STEM | 2 | |
| 2 | 14100ZJ1801 | CAMSHAFT ASSY. | 1 | INCLUDES ITEMS W/* |
| 3* | 14110ZJ1801 | CAMSHAFT | 1 | INCLUDES ITEMS W/# |
| 4 | 14410ZJ1000 | ROD, PUSH | 4 | |
| 5 | 14431ZJ1000 | ARM, VALVE ROCKER | 4 | |
| 6 | 14441ZE2000 | LIFTER, VALVE | 4 | |
| 7 | 14461ZJ1000 | SHAFT, ROCKER ARM | 2 | |
| 8* | 14568ZJ1800 | SPRING, WEIGHT RETURN | 1 | |
| 9* | 14569ZJ1801 | HOLDER, DECOMPRESSION PIN | 2 | |
| 10* | 14576ZJ1801 | PIN A, DECOMPRESSION | 2 | |
| 10* | 14577ZJ1801 | PIN B, DECOMPRESSION | 2 | |
| 10* | 14578ZJ1801 | PIN C, DECOMPRESSION | 2 | |
| 10* | 14579ZJ1801 | PIN D, DECOMPRESSION | 2 | |
| 10* | 14580ZJ1801 | PIN E, DECOMPRESSION | 2 | |
| 11*# | 14581ZJ1801 | ROD, DECOMPRESSION | 2 | |
| 12* | 14586ZJ1800 | SPRING, DECOMPRESSION PIN HOLDER | 2 | |
| 13 | 14711ZJ1000 | VALVE, IN. | 2 | |
| 14 | 14721ZJ1000 | VALVE, EX. | 2 | |
| 15 | 14751ZE2003 | SPRING, VALVE | 4 | |
| 16 | 14771ZE2000 | RETAINER, IN. VALVE SPRING | 4 | |
| 17 | 14775ZE2010 | SEAT, VALVE SPRING | 2 | |
| 18* | 16512ZJ1000 | HOLDER, GOVERNOR WEIGHT | 1 | |
| 19* | 16522ZJ1000 | PLATE, GOVERNOR WEIGHT HOLDER | 1 | |
| 20* | 16523ZJ1000 | PIN, GOVERNOR WEIGHT HOLDER | 1 | |
| 21* | 16524ZJ1000 | PLATE, GOVERNOR LOWER | 1 | |
| 22* | 16529ZJ1000 | PLATE, GOVERNOR SLIDER | 1 | |
| 23* | 16531ZJ1003 | SLIDER, GOVERNOR | 1 | |
| 24 | 90012415000 | SCREW, TAPPET ADJ. | 4 | |
| 25 | 90206250000 | NUT, TAPPET ADJ. | 4 | |
| 26 | 90446357000 | WASHER, THRUST, 17.12MM | 1 | |
| 27* | 90901ZJ1003 | BALL, STEEL, 18 | 6 | |
| 28* | 9451017000 | CIRCLIP, OUTER 17MM | 1 | |
| 29 | 12209ZE8003 | SEAL, VALVE STEM | 2 | |

HONDA GX620TXF2 ENGINE — CONTROL ASSY.

CONTROL ASSY.



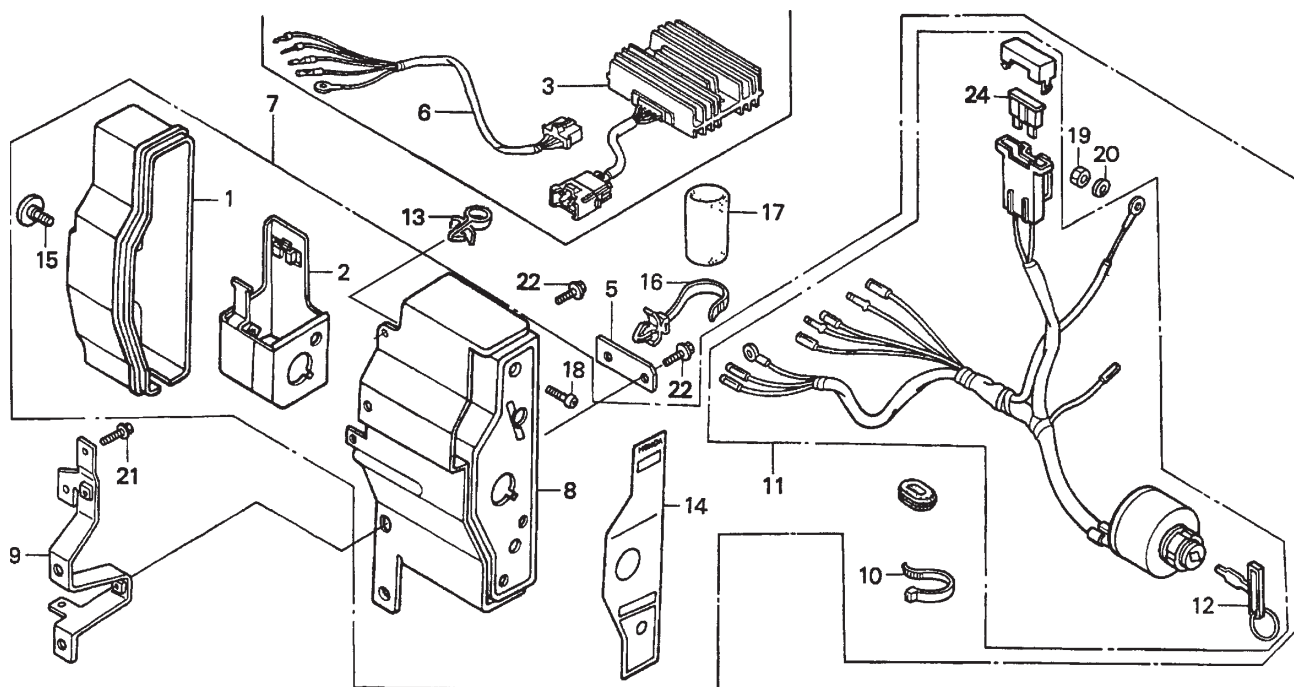
HONDA GX620TXF2 ENGINE — CONTROL ASSY.

CONTROL ASSY.

| <u>NO</u> | <u>PART NO</u> | <u>PART NAME</u> | <u>QTY.</u> | <u>REMARKS</u> |
|-----------|----------------|---------------------------|-------------|--------------------|
| 1 | 16263ZE3790 | JOINT, ROD | 1 | |
| 3 | 16500ZJ1000 | CONTROL ASSY. | 1 | INCLUDES ITEMS W/* |
| 5 | 16534ZJ1000 | SPRING, STARTER | 1 | |
| 7 | 16550ZJ1000 | ARM, GOVERNOR | 1 | |
| 8 | 16555ZJ1000 | ROD, GOVERNOR | 1 | |
| 9* | 16561ZG1000 | SPRING GOVERNOR | 1 | |
| 10 | 16561ZJ1000 | SPRING, GOVERNOR | 1 | |
| 11 | 16562ZJ1000 | SPRING, THROTTLE RETURN | 1 | |
| 12* | 16570ZJ1000 | LEVER CONTROL | 1 | |
| 13* | 16574ZE1000 | SPRING, LEVER | 1 | |
| 14* | 16575ZH8000 | WASHER, CONTROL LEVER | 1 | |
| 16* | 16578ZE1000 | SPACER, CONTROL LEVER | 1 | |
| 17* | 16584883300 | SPRING, CONTROL ADJUSTING | 2 | |
| 22* | 16628ZJ1000 | ROD, CHOKE KNOB | 1 | |
| 23 | 16649ZJ1000 | HOLDER, CHOKE KNOB | 1 | |
| 24* | 17951ZG1000 | KNOB, CHOKE | 1 | |
| 25 | 90013883000 | BOLT, FLANGE (6X12) | 2 | |
| 26 | 90015ZE3790 | BOLT, GOVERNOR ARM | 1 | |
| 27* | 90114SA0000 | NUT, SELF-LOCK (6MM) | 2 | |
| 30* | 93500050120H | SCREW, PAN 5X12 | 2 | |
| 31* | 93500050250H | SCREW, PAN 5X25 | 2 | |
| 34* | 94001050000S | NUT, HEX 5MM | 1 | |
| 35 | 9405006000 | NUT, FLANGE 6MM | 1 | |

HONDA GX620TXF2 ENGINE — CONTROL BOX ASSY.

CONTROL BOX ASSY.



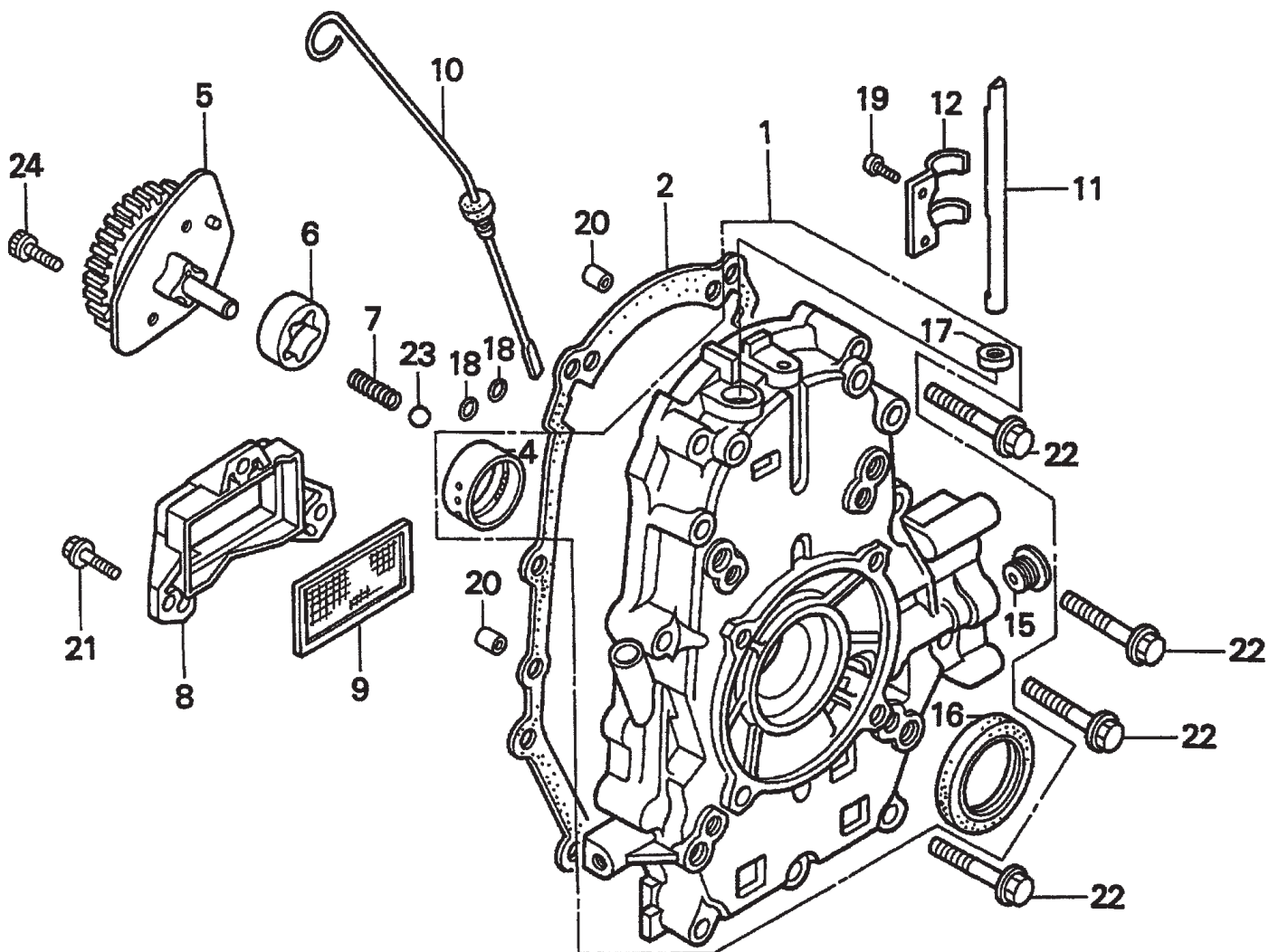
HONDA GX620TXF2 ENGINE — CONTROL BOX ASSY.

CONTROL BOX ASSY.

| <u>NO</u> | <u>PART NO</u> | <u>PART NAME</u> | <u>QTY.</u> | <u>REMARKS</u> |
|-----------|----------------|---------------------------------|-------------|--------------------|
| 1* | 31612ZE2003 | CASE, CONTROL | 1 | |
| 2* | 31614ZE2003 | BRACKET, CASE MOUNTING | 1 | |
| 3 | 31620ZG5003 | RECTIFIER ASSY., REGULATOR 20A | 1 | |
| 5 | 32103759000 | BRACKET, WIRE HARNESS CLIP | 1 | |
| 6 | 29153-501 | SUB-WIRE HARNESS ASSY. | 1 | |
| 7 | 32340ZJ1812 | BOX ASSY., CONTROL | 1 | INCLUDES ITEMS W/* |
| 8* | 32345ZJ1811 | PANEL, CONTROL | 1 | |
| 9 | 29054-001 | STAY, CONTROL BOX | 1 | |
| 10* | 32902892003 | BAND | 1 | |
| 11* | 35100ZJ1812 | SWITCH ASSY., COMBINATION | 1 | INCLUDES ITEMS W/# |
| 12*# | 35111880003 | KEY | 2 | |
| 13 | 36103ZE1000 | HOLDER, STOP SWITCH WIRE | 1 | |
| 14* | 87529ZE2860 | MARK, CONTROL BOX | 1 | |
| | | EXTERNAL-REGULATOR | | |
| 15 | 90380MA6010 | SCREW, SPECIAL 6X12 | 1 | |
| 16 | 90676SA8003 | BAND, WIRE HARNESS 150MM BLUE | 1 | |
| 17 | 91408ZJ1810 | TUBE, CORD 30MM | 1 | |
| 18* | 93500040120H | SCREW, PAN 4X12 | 1 | |
| 19 | 94001043900S | NUT, HEX 4MM NOT AVAILABLE | 1 | |
| 20 | 9411104800 | WASHER, SPRING 4MM | 1 | |
| 21 | 957010601000 | BOLT, FLANGE, 6X10 | 1 | |
| 22 | 957010601200 | BOLT FLANGE, 6X12 | 2 | |
| 24*# | 9820032500 | FUSE, BLADE, 25A | 1 | |

HONDA GX620TXF2 ENGINE — CRANKCASE COVER ASSY.

CRANKCASE COVER ASSY.



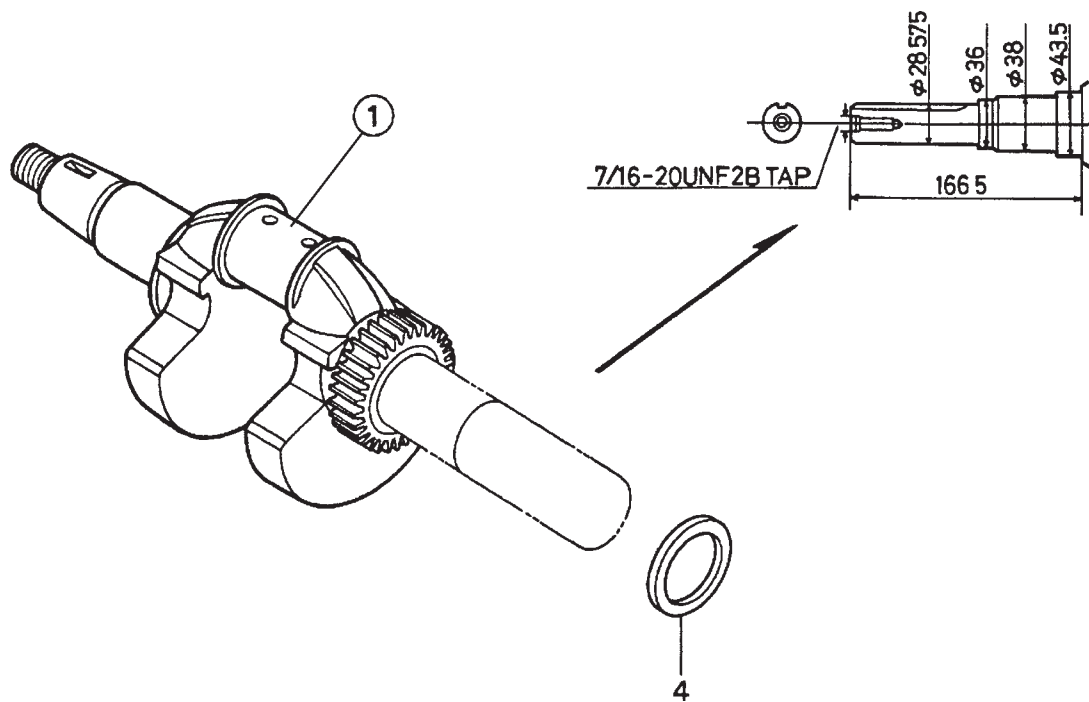
HONDA GX620TXF2 ENGINE — CRANKCASE COVER ASSY.

CRANKCASE COVER ASSY.

| NO | PART NO | PART NAME | QTY. | REMARKS |
|-----------|----------------|--------------------------|-------------|--------------------------|
| 1 | 11300ZJ1600 | COVER ASSY., CRANKCASE | 1 | INCLUDES ITEMS W/* |
| 2 | 11381ZJ1000 | GASKET, CASE COVER | 1 | |
| 4* | 13321ZJ1000 | BEARING A, MAIN OPTIONAL | 1 | SEE HONDA SERVICE MANUAL |
| 4* | 13322ZJ1000 | BEARING B, MAIN OPTIONAL | 1 | SEE HONDA SERVICE MANUAL |
| 4* | 13323ZJ1000 | BEARING C, MAIN OPTIONAL | 1 | SEE HONDA SERVICE MANUAL |
| 5 | 15120ZJ1000 | COVER ASSY., OIL PUMP | 1 | |
| 6 | 15124ZJ1003 | ROTOR, OIL PUMP OUTER | 1 | |
| 7 | 15232ZJ1000 | SPRING, RELIEF VALVE | 1 | |
| 8 | 15348ZJ1000 | COVER, OIL FILTER | 1 | |
| 9 | 15427ZJ1000 | SCREEN, OIL FILTER | 1 | |
| 10 | 15655ZJ1000 | DIPSTICK, OIL | 1 | |
| 11 | 16541ZJ1000 | SHAFT, GOVERNOR ARM | 1 | |
| 12 | 16542ZJ1000 | FORK, GOVERNOR | 1 | |
| 15* | 90007ZG8300 | BOLT, SEARLING | 1 | |
| 16* | 91201ZJ1003 | OIL, SEAL 38X58X11 | 1 | |
| 17* | 91259VM0000 | OIL, SEAL 10X16X4.5 | 1 | |
| 18 | 91302MB6830 | O-RING 13X3.0 | 2 | |
| 19 | 93500050100A | SCREW, PAN 5X10 | 2 | |
| 20 | 9430108140 | PIN A, DOWEL 8X14 | 2 | |
| 21 | 957010602000 | BOLT, FLANGE 6X20 | 3 | |
| 22 | 957010805000 | BOLT, FLANGE 8X50 | 9 | |
| 23 | 9621112000 | BALL, STEEL #12, 3/8 | 1 | |
| 24 | 966000601600 | BOLT, SOCKET 6X16 | 2 | |

HONDA GX620TXF2 ENGINE — CRANKSHAFT ASSY.

CRANKSHAFT ASSY.



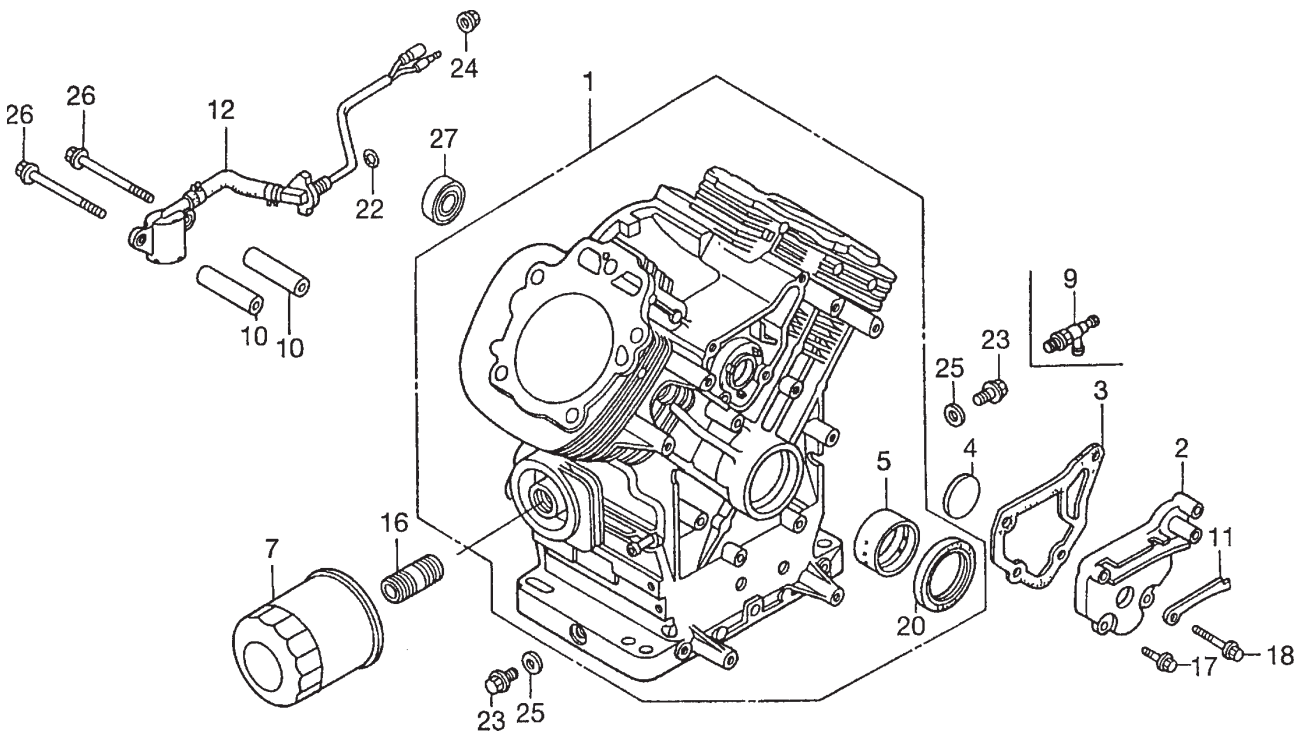
HONDA GX620TXF2 ENGINE — CRANKSHAFT ASSY.

CRANKSHAFT ASSY.

| <u>NO</u> | <u>PART NO</u> | <u>PART NAME</u> | <u>QTY.</u> | <u>REMARKS</u> |
|-----------|----------------|---------------------------|-------------|----------------|
| 1 | 13310ZJ0U60 | CRANKSHAFT, T-TYPE | 1 | |
| 4 | 90401ZJ1000 | WASHER, CRANKSHAFT THRUST | 1 | |

HONDA GX620TXF2 ENGINE — CYLINDER BARREL ASSY.

CYLINDER BARREL ASSY.



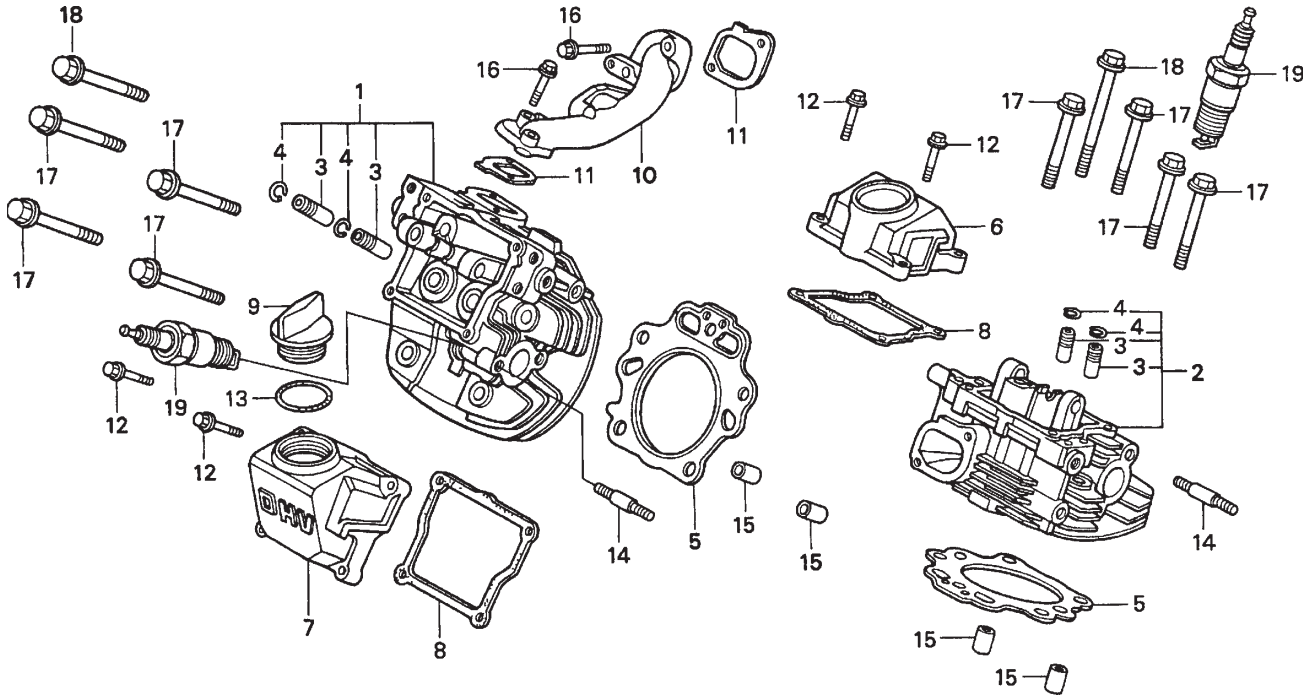
HONDA GX620TXF2 ENGINE — CYLINDER BARREL ASSY.

CYLINDER BARREL ASSY.

| NO | PART NO | PART NAME | QTY. | REMARKS |
|-----------|----------------|------------------------------|-------------|--------------------------|
| 1 | 12000ZJ1810 | CYLINDER ASSY. | 1 | INCLUDES ITEMS W/* |
| 2 | 12356ZJ1000 | COVER, BREATHER | 1 | |
| 3 | 12358ZJ1000 | GASKET, BREATHER COVER | 1 | |
| 4 | 12372ZE2300 | VALVE, BREATHER | 1 | |
| 5* | 13321ZJ1000 | BEARING A, MAIN, OPTIONAL | 1 | SEE HONDA SERVICE MANUAL |
| 5* | 13322ZJ1000 | BEARING B, MAIN, OPTIONAL | 1 | SEE HONDA SERVICE MANUAL |
| 5* | 13323ZJ1000 | BEARING C, MAIN OPTIONAL | 1 | SEE HONDA SERVICE MANUAL |
| 7 | 15400POH305PE | FILTER, OIL | 1 | |
| 9 | 15558ZJ1010AH | VALVE, DRAIN 14X1.5 OPTIONAL | 1 | |
| 10 | 25523VD6010 | COLLAR, FILTER SETTING | 2 | |
| 11 | 31511ZJ1000 | CLAMP, WIRE | 1 | |
| 12 | 35480ZJ1812 | SWITCH ASSY., OIL LEVEL | 1 | |
| 16 | 90018PN3000 | HOLDER, OIL FILTER | 1 | |
| 17 | 90029888000 | BOLT, FLANGE 6X16 | 2 | |
| 18 | 90031ZE1000 | BOLT, FLANGE 6X32 | 2 | |
| 20* | 91201ZJ1003 | OIL SEAL, 38X58X11 | 1 | |
| 22 | 91353671003 | O-RING, 13.5X1.5, ARAI | 1 | |
| 23 | 9280014000 | BOLT, DRAIN PLUG, 14MM | 2 | |
| 24 | 9405010000 | NUT, FLANGE 10MM | 1 | |
| 25 | 9410914000 | WASHER, DRAIN PLUG | 2 | |
| 26 | 957010607509 | BOLT, FLANGE 6X75 | 2 | |
| 27 | 961406003010 | BEARING, RADIAL BALL 6003 | 1 | |

HONDA GX620TXF2 ENGINE — CYLINDER HEAD ASSY.

CYLINDER HEAD ASSY.



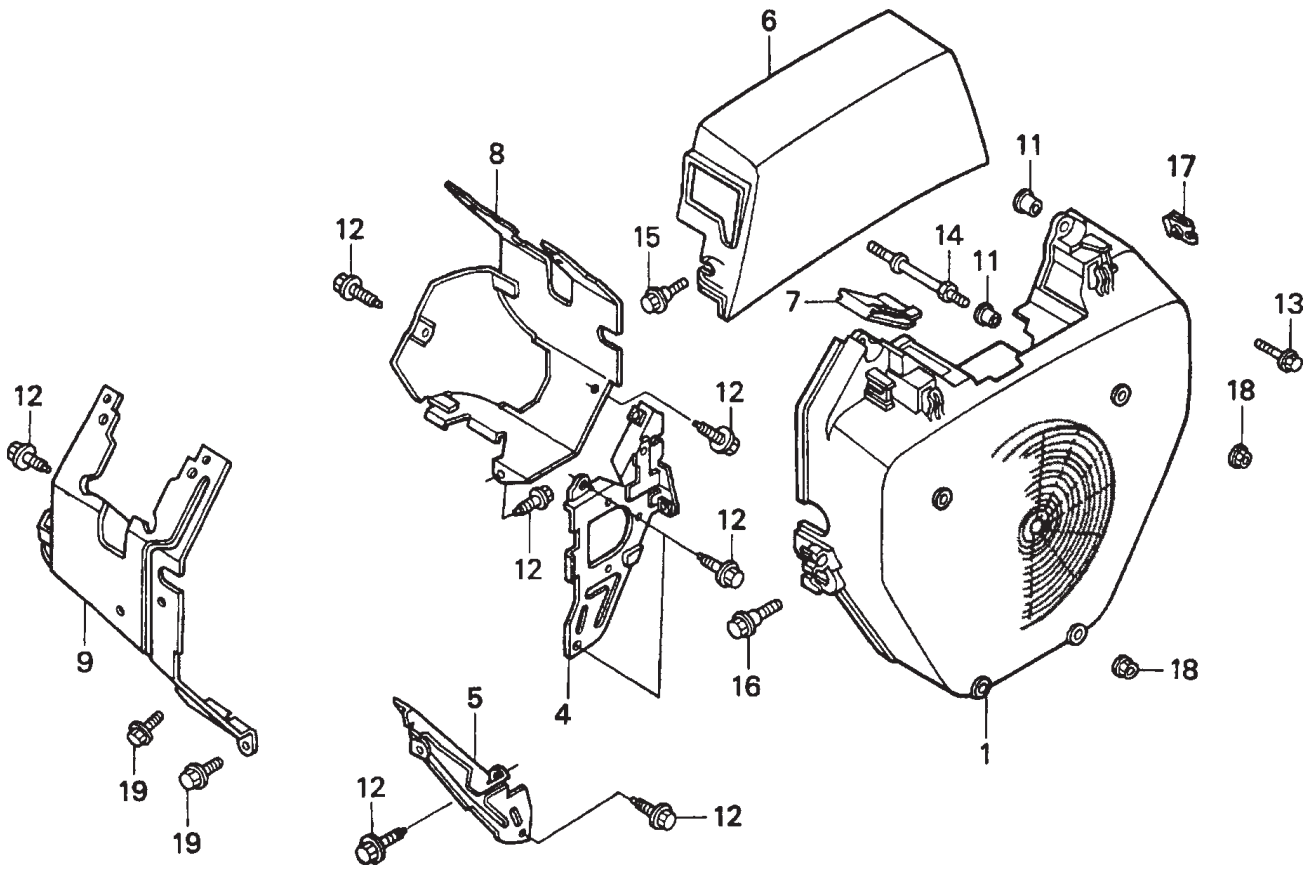
HONDA GX620TXF2 ENGINE — CYLINDER HEAD ASSY.

CYLINDER HEAD ASSY.

| <u>NO</u> | <u>PART NO</u> | <u>PART NAME</u> | <u>QTY.</u> | <u>REMARKS</u> |
|-----------|----------------|------------------------------|-------------|--------------------|
| 1 | 12210ZJ1000 | CYLINDER HEAD, R. | 1 | INCLUDES ITEMS W/* |
| 2 | 12220ZJ1000 | CYLINDER HEAD, L. | 1 | INCLUDES ITEMS W/* |
| 3* | 12205ZE2305 | GUIDE, EX. VALVE OS OPTIONAL | 4 | |
| 4* | 12216ZE2300 | CLIP, VALVE GUIDE | 4 | |
| 5 | 12251ZJ1003 | GASKET, CYLINDER HEAD | 2 | |
| 6 | 12311ZJ1000 | COVER, HEAD | 1 | |
| 7 | 12314ZJ1000 | COVER, HEAD FILLER | 1 | |
| 8 | 1239ZJ1000 | GASKET, HEAD COVER | 2 | |
| 9 | 15611921000 | CAP, OIL | 1 | |
| 10 | 17101ZJ1000 | MANIFOLD, IN | 1 | |
| 11 | 17151ZJ1003 | GASKET, IN. MANIFOLD | 2 | |
| 12 | 90121ZJ1000 | BOLT, FLANGE 6X25, CT200 | 8 | |
| 13 | 91301805000 | O-RING 26X2.7 | 1 | |
| 14 | 92900080250B | BOLT, STUD 8X254 | 4 | |
| 15 | 9430112200 | PIN A, DOWEL 12X20 | 4 | |
| 16 | 957010603200 | BOLT, FLANGE 6X32 | 4 | |
| 17 | 957011007500 | BOLT, FLANGE 10X75 | 8 | |
| 18 | 957011013000 | BOLT, FLANGE 10X130 | 2 | |
| 19 | 9807956846 | SPARK PLUG, BPR6ES NGK | 2 | |

HONDA GX620TXF2 ENGINE — FAN COVER ASSY.

FAN COVER ASSY.



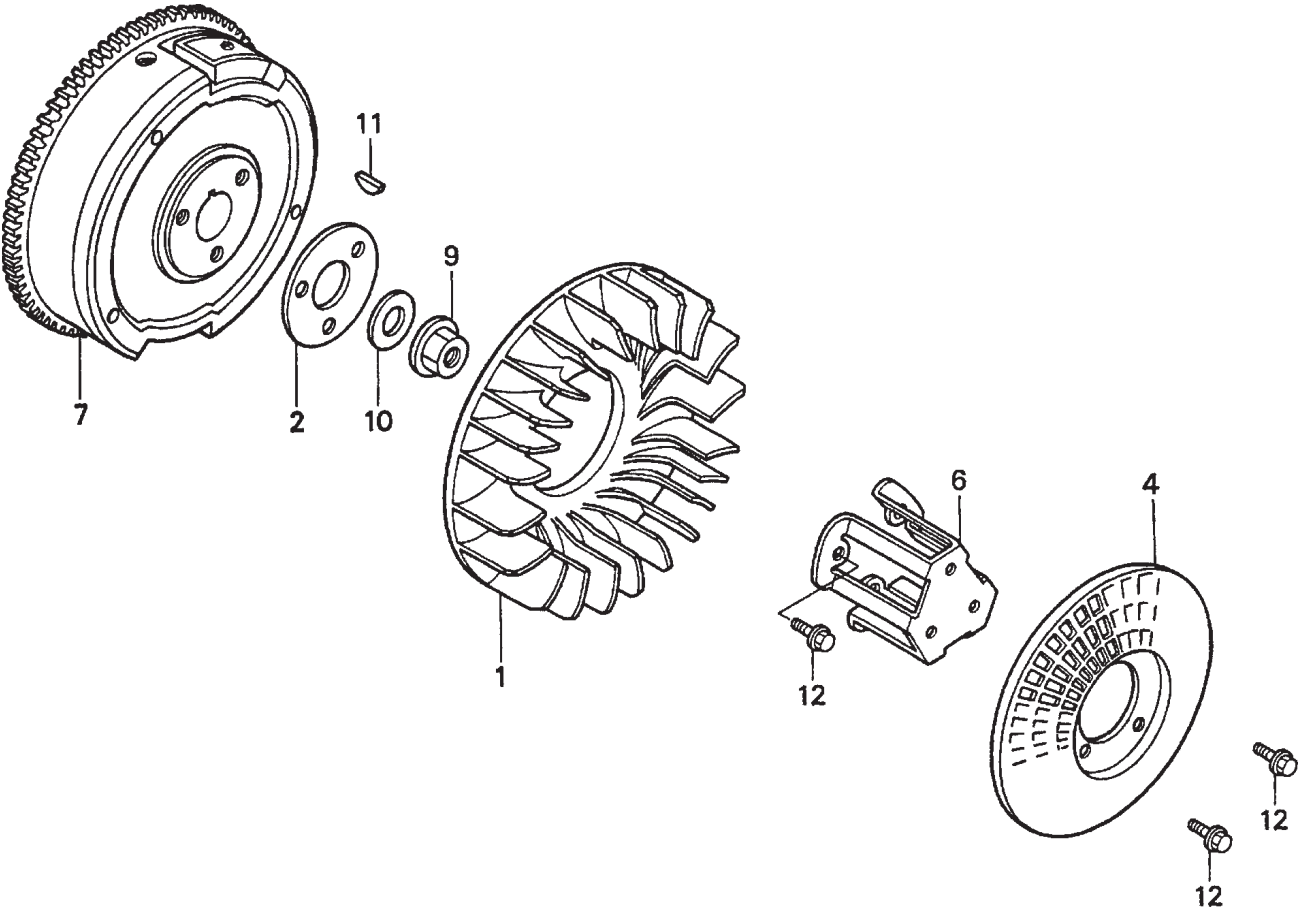
HONDA GX620TXF2 ENGINE — FAN COVER ASSY.

FAN COVER ASSY.

| <u>NO</u> | <u>PART NO</u> | <u>PART NAME</u> | <u>QTY.</u> | <u>REMARKS</u> |
|-----------|----------------|---------------------------|-------------|----------------|
| 1 | 19611ZJ1000ZB | COVER, FAN R8, BRIGHT RED | 1 | |
| 4 | 19612ZJ1000 | PLATE, R SIDE | 1 | |
| 5 | 19641ZJ1000 | PLATE, L SIDE | 1 | |
| 6 | 19615ZJ0U60 | HOOD, FAN COVER | 1 | |
| 6 | 19615ZJ0U70 | HOOD, FAN COVER | 1 | |
| 7 | 19618ZJ0U70 | PLUG, FAN COVER HOLE | 1 | |
| 8 | 19631ZJ1000 | SHROUD, R. | 1 | |
| 9 | 19632ZJ1000 | SHROUD, L. | 1 | |
| 11 | 33713GC2000 | COLLAR B, TAILLIGHT | 6 | |
| 12 | 90013883000 | BOLT, FLANGE 6X12, CT200 | 8 | |
| 13 | 90018ZE1000 | BOLT, FLANGE 6X23 | 2 | |
| 14 | 90042ZJ1000 | BOLT, STUD 6X75 | 4 | |
| 15 | 90104GF6000 | BOLT, FLANGE 6X20 | 2 | |
| 16 | 90113GE4000 | BOLT, FLANGE 6MM, BLACK | 2 | |
| 17 | 90320MM5000 | NUT, SPRING 6MM | 2 | |
| 18 | 9405006000 | NUT, FLANGE 6MM | 4 | |
| 19 | 957010600800 | BOLT, FLANGE 6X8 | 2 | |

HONDA GX620TXF2 ENGINE — FLYWHEEL ASSY.

FLYWHEEL ASSY.



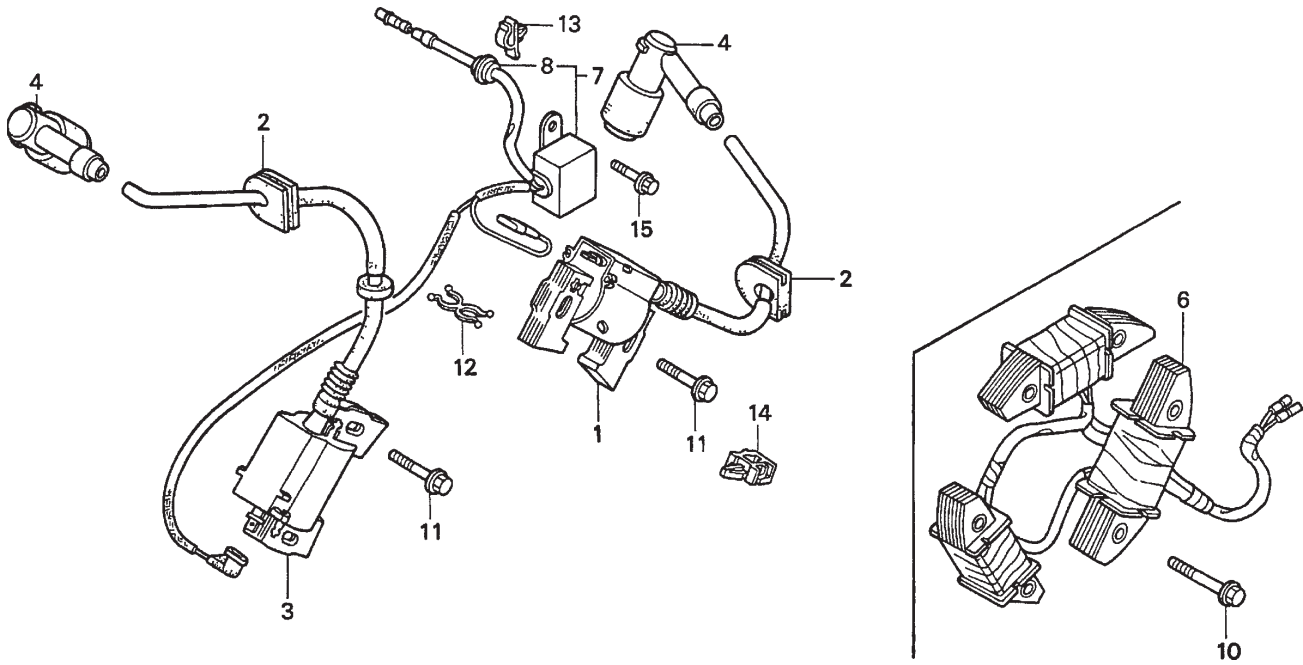
HONDA GX620TXF2 ENGINE — FLYWHEEL ASSY.

FLYWHEEL ASSY.

| <u>NO</u> | <u>PART NO</u> | <u>PART NAME</u> | <u>QTY.</u> | <u>REMARKS</u> |
|-----------|----------------|------------------------------|-------------|----------------|
| 1 | 19511ZJ1000 | FAN, COOLING | 1 | |
| 2 | 19513ZJ1000 | PLATE, COOLING FAN START | 1 | |
| 4 | 28452ZJ1811 | GRID, SCREEN P.T.O. | 1 | |
| 6 | 28454ZJ1801 | HOLDER, SCREEN GRID OPTIONAL | 1 | |
| 7 | 31110ZJ1801 | FLYWHEEL | 1 | |
| 9 | 90201ZG3000 | NUT, FLANGE 20MM | 1 | |
| 10 | 90401ZG3000 | WASHER, 20MM | 1 | |
| 11 | 90741ZE2000 | KEY, SPECIAL WOODRUFF 25X18 | 1 | |
| 12 | 957010801600 | BOLT, FLANGE 8X16 | 4 | |

HONDA GX620TXF2 ENGINE — IGNITION COIL ASSY.

IGNITION COIL ASSY.



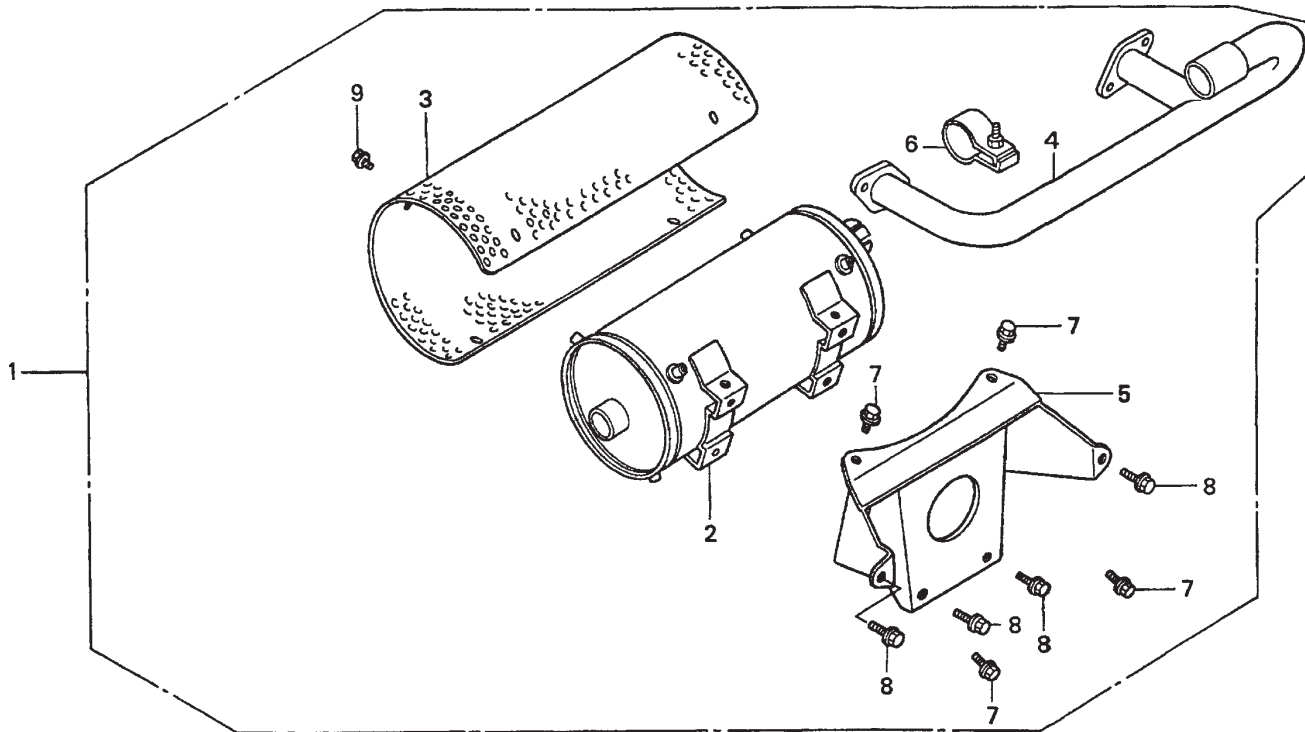
HONDA GX620TXF2 ENGINE — IGNITION COIL ASSY.

IGNITION COIL ASSY.

| <u>NO</u> | <u>PART NO</u> | <u>PART NAME</u> | <u>QTY.</u> | <u>REMARKS</u> |
|-----------|----------------|--------------------------------|-------------|--------------------|
| 1 | 30500ZJ1013 | COIL ASSY., R. IGNITION | 1 | |
| 2 | 30518ZJ1000 | GROMMET, IGNITION WIRE | 2 | |
| 3 | 30550ZJ1013 | COIL ASSY., L. IGNITION | 1 | |
| 4 | 30700ZJ1003 | CAP ASSY., NOISE SUPPRESSOR | 2 | |
| 6 | 31630ZJ1801 | COIL ASSY., CHARGHE | 1 | |
| 7 | 31740ZJ1003 | DIODE ASSY., ENGINE STOP | 1 | INCLUDES ITEMS W/* |
| 8* | 63312ZA7000 | GROMMET, TOOL | 1 | |
| 10 | 90031ZE1000 | BOLT, FLANGE 6X32 | 6 | |
| 11 | 90121952000 | BOLT, FLANGE 6X25 | 2 | |
| 12 | 90658SA0003 | CLIP, WIRE HARNESS | 1 | |
| 13 | 90673GJ5003 | CLIP, CORD | 1 | |
| 14 | 915047540003 | CLIP, WIRE HARNESS | 1 | |
| 15 | 957010600800 | BOLT, FLANGE 6X8 | 1 | |

HONDA GX620TXF2 ENGINE — MUFFLER ASSY.

MUFFLER ASSY.



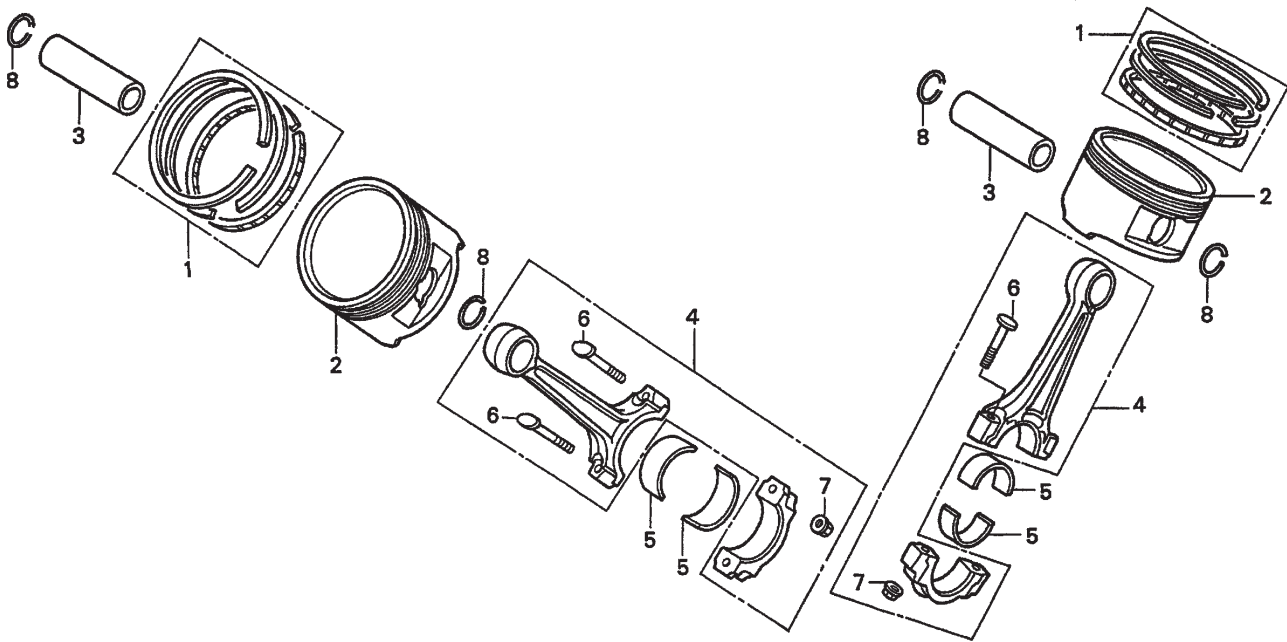
HONDA GX620TXF2 ENGINE — MUFFLER ASSY.

MUFFLER ASSY.

| <u>NO</u> | <u>PART NO</u> | <u>PART NAME</u> | <u>QTY.</u> | <u>REMARKS</u> |
|-----------|----------------|-----------------------------------|-------------|--------------------|
| 1 | 06183ZJ1821 | MUFFLER KIT, HIGH-B OPTIONAL..... | 1 | INCLUDES ITEMS W/* |
| 2* | 18310ZJ1003 | MUFFLER, HIGH OPTIONAL | 1 | |
| 3* | 18321ZJ1003 | PROTECTOR, MUFF., HIGH OPTIONAL | 1 | |
| 4* | 18330ZJ1600 | PIPE, EX. HIGH-L OPTIONAL | 1 | |
| 5* | 18338ZJ1003 | STAY, MUFFLER, HIGH OPTIONAL | 1 | |
| 6* | 18396ZJ1003 | BAND ASSY. OPTIONAL | 1 | |
| 7* | 957010600800 | BOLT, FLANGE 6X8 OPTIONAL | 6 | |
| 8* | 957010801400 | BOLT, FLANGE 8X14 OPTIONAL | 4 | |
| 9* | 957010802000 | BOLT, FLANGE 8X20 OPTIONAL | 4 | |

HONDA GX620TXF2 ENGINE — PISTON AND CONNECTING ROD ASSY.

PISTON & CONNECTING ROD ASSY.



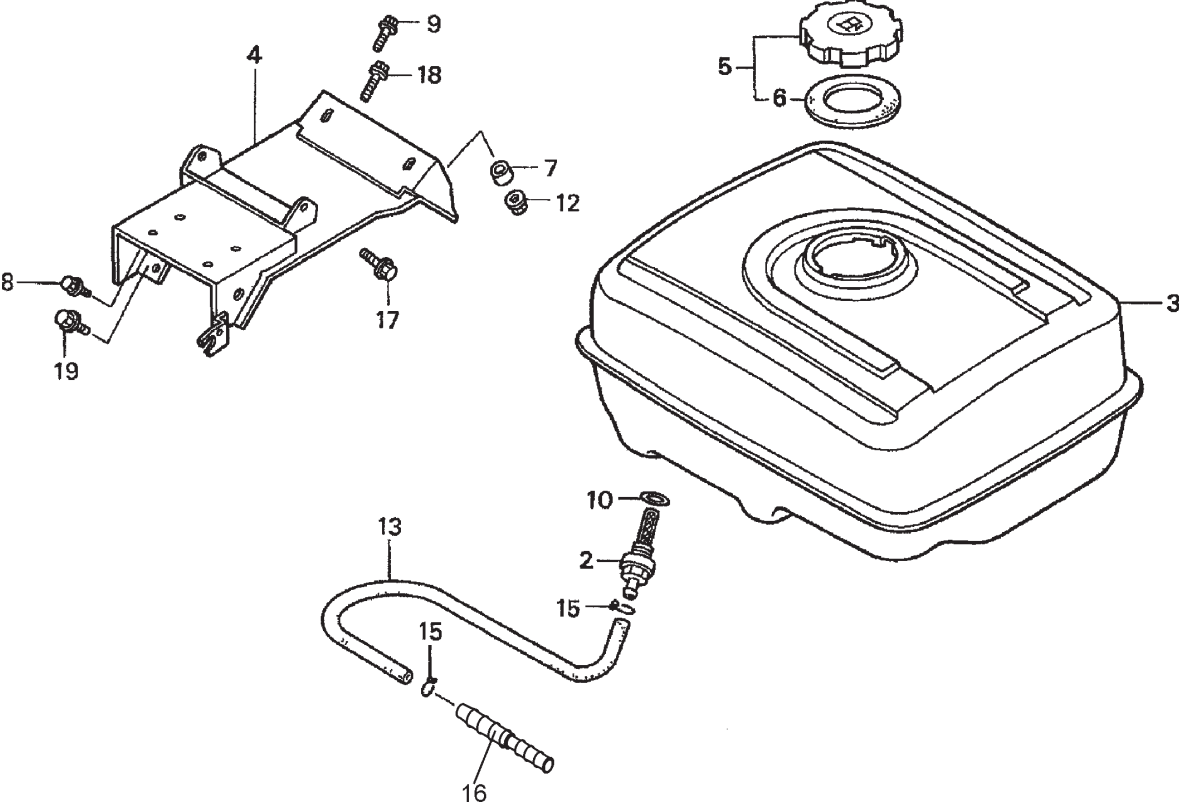
HONDA GX620TXF2 ENGINE — PISTON AND CONNECTING ROD ASSY.

PISTON & CONNECTING ROD ASSY.

| <u>NO</u> | <u>PART NO</u> | <u>PART NAME</u> | <u>QTY.</u> | <u>REMARKS</u> |
|-----------|----------------|--------------------------------------|-------------|--------------------|
| 1 | 13010ZE8601 | RING SET, PISTON STANDARD | 2 | |
| 1 | 13011ZE8601 | RING SET, PISTON OS 0.25 | 2 | OPTIONAL |
| 1 | 13012ZE8601 | RING SET, PISTON OS .050 | 2 | OPTIONAL |
| 1 | 13013ZE8601 | RING SET, PISTON OS .075 | 2 | OPTIONAL |
| 2 | 13101ZJ1000 | PISTON | 2 | |
| 2 | 13102ZJ1000 | PISTON, OS 0.25 | 2 | OPTIONAL |
| 2 | 13103ZJ1000 | PISTON, OS 0.50 | 2 | OPTIONAL |
| 2 | 13104ZJ1000 | PISTON, OS .075 | 2 | OPTIONAL |
| 3 | 13111ZJ1000 | PIN, PISTON | 2 | |
| 4 | 13210ZJ1000 | ROD SET, CONNECTING | 2 | INCLUDES ITEMS W/* |
| 5 | 13211ZJ1003 | BEARING A, CONNECTING ROD BLUE | 4 | |
| 5 | 13212ZJ1003 | BEARING B, CONNECTING ROD BLACK | 4 | |
| 5 | 13213ZJ1003 | BEARING C, CONNECTING ROD BROWN | 4 | |
| 5 | 13214ZJ1003 | BEARING D, CONNECTING ROD GREEN | 4 | |
| 5 | 13215ZJ1003 | BEARING E, CONNECTING ROD YELLOW | 4 | |
| 5 | 13216ZJ1003 | BEARING F, CONNECTING ROD PINK | 4 | |
| 5 | 13217ZJ1003 | BEARING G, CONNECTING ROD RED | 4 | |
| 6* | 13213ML0000 | BOLT, CONNECTING ROD | 4 | |
| 7* | 1312KM3000 | NUT, CONNECTING ROD | 4 | |
| 8 | 90551ZE1000 | CLIP, PISTON PIN 18MM | 4 | |

HONDA GX620TXF2 ENGINE — FUEL TANK ASSY.

FUEL TANK ASSY.



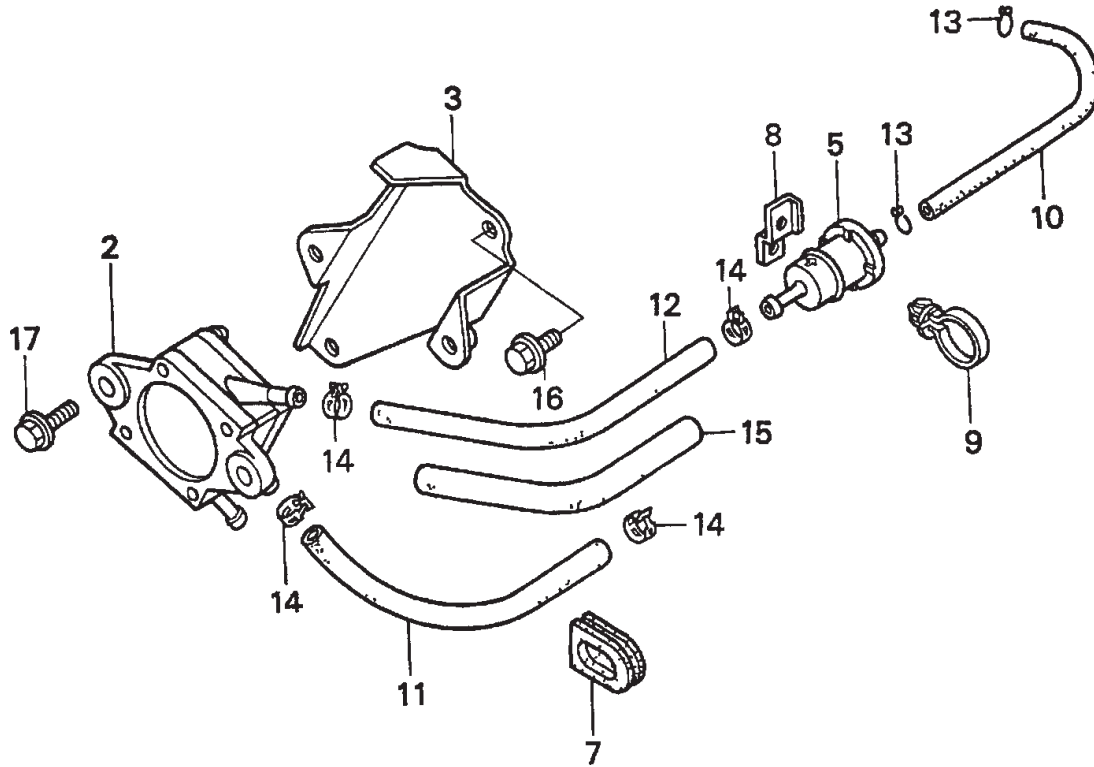
HONDA GX620TXF2 ENGINE — FUEL TANK ASSY.

FUEL TANK ASSY.

| <u>NO</u> | <u>PART NO</u> | <u>PART NAME</u> | <u>QTY.</u> | <u>REMARKS</u> |
|-----------|----------------|---------------------------|-------------|----------------|
| 2 | 15282 | JOINT, FUEL TANK | 1 | |
| 3 | 17510ZE3010ZB | FUEL TANK | 1 | |
| 4 | 17560ZJ0U70 | SUPPORT, FUEL TANK | 1 | |
| 5 | 17620ZH7023 | CAP, FUEL | 1 | |
| 6 | 17631ZH7023 | GASKET, FUEL FILLER CAP | 1 | |
| 7 | 29219-001 | COLLAR, FR. ENGINE HANGER | 1 | |
| 8 | 90018ZE1000 | BOLT, FLANGE (6X23) | 1 | |
| 9 | 90022888010 | BOLT, FLANGE (6X20) | 1 | |
| 10 | 15229 | O-RING (13.5X1.5) | 1 | |
| 12 | 9405008000 | NUT, FLANGE | 2 | |
| 13 | 6004 | HOSE, 3/16" | 1 FT. | |
| 15 | 22994-010 | CLIP, HOSE | 2 | |
| 16 | 29066-001 | REDUCER | 1 | |
| 17 | 957010801600 | BOLT, FLANGE (8X16) | 2 | |
| 18 | 957010802500 | BOLT, FLANGE (8X25) | 2 | |
| 19 | 957010803000 | BOLT, FLANGE (8X30) | 2 | |

HONDA GX620TXF2 ENGINE — FUEL PUMP ASSY.

FUEL PUMP ASSY.



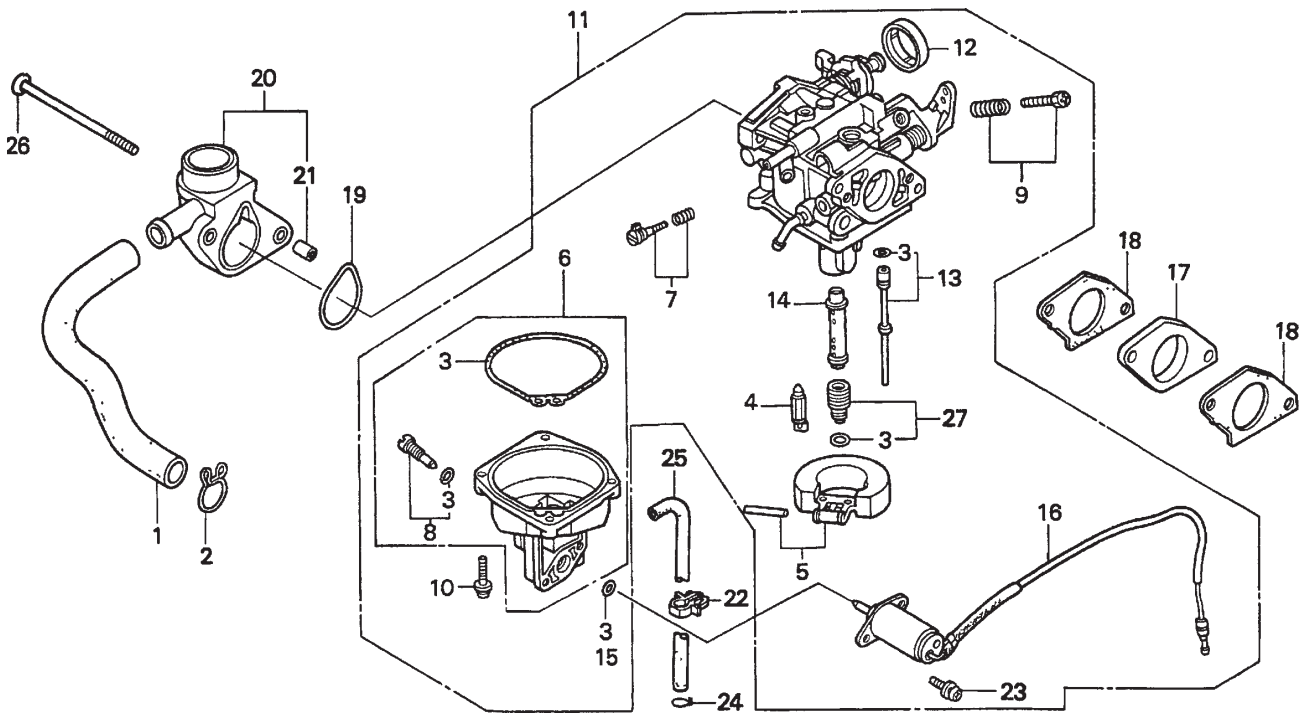
HONDA GX620TXF2 ENGINE — FUEL PUMP ASSY.

FUEL PUMP ASSY.

| <u>NO</u> | <u>PART NO</u> | <u>PART NAME</u> | <u>QTY.</u> | <u>REMARKS</u> |
|-----------|----------------|---|-------------|----------------|
| 2 | 16700ZJ1003 | PUMP ASSY., FUEL | 1 | |
| 3 | 16711ZJ1800 | STAY, FUEL PUMP | 1 | |
| 5 | 16910ZE8015 | FILTER, FUEL | 1 | |
| 7 | 19905ZA8701 | GROMMET, WIRE | 1 | |
| 8 | 35806752630 | BASE, CLIP | 1 | |
| 9 | 90617SA0003 | CLIP, WIRE HARNESS | 1 | |
| 10 | 950014500360M | BULK HOSE, FUEL 4.5X3000 X 4.5X110 | 1 | |
| 11 | 950015500840M | BULK HOSE, FUEL 5.5X8000 X 5.5X195 | 1 | |
| 12 | 950015500840M | BULK HOSE, FUEL 5.5X8000 X 5.5X215 | 1 | |
| 13 | 9500202080 | CLIP, TUBE B8 | 2 | |
| 14 | 950024105008 | CLIP, TUBE 10.5MM | 4 | |
| 15 | 950033600310M | BULK HOSE, VINYL 11X13X3000 X 11X13X160 | 1 | |
| 16 | 957010600800 | BOLT, FLANGE 6X8 | 2 | |
| 17 | 957010601400 | BOLT, FLANGE 6X14 | 2 | |

HONDA GX620TXF2 ENGINE — CARBURETOR ASSY.

CARBURETOR ASSY.



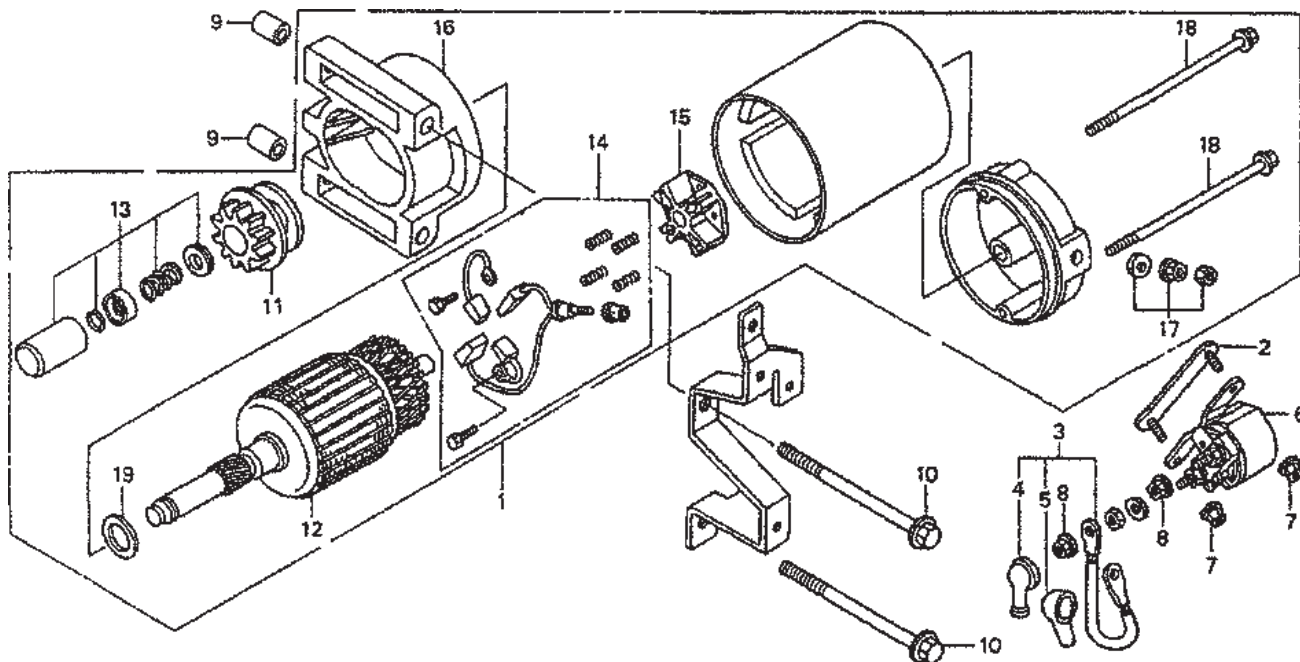
HONDA GX620TXF2 ENGINE — CARBURETOR ASSY.

CARBURETOR ASSY.

| <u>NO</u> | <u>PART NO</u> | <u>PART NAME</u> | <u>QTY.</u> | <u>REMARKS</u> |
|-----------|----------------|------------------------------------|-------------|--------------------|
| 1 | 12357ZJ1000 | TUBE, BREATHER | 1 | |
| 2 | 15772551000 | CLIP, BREATHER TUBE | 1 | |
| 3*# | 16010ZG8000 | GASKET SET | 1 | |
| 4* | 16011382004 | VALVE SET, FLOAT | 1 | |
| 5* | 16013ZV4005 | FLOAT SET | 1 | |
| 6* | 16015ZJ1000 | CHAMBER SET, FLOAT | 1 | INCLUDES ITEMS W/# |
| 7* | 16016ZJ1010 | SCREW SET | 1 | |
| 8*# | 16024124760 | SCREW SET, DRAIN | 1 | |
| 9* | 16028ZG8000 | SCREW SET | 1 | |
| 10* | 16081ZV4650 | SCREW WASHER | 4 | |
| 11 | 16100ZJ1023 | CARBURETOR ASSY., BG224A C | 1 | INCLUDES ITEMS W/* |
| 12* | 161748141881 | CAP, CHOKE LEVER DUST | 1 | |
| 13* | 16150ZJ1010 | JET SET, #45 | 1 | |
| 14* | 16166ZJ1010 | NOZZLE, MAIN | 1 | |
| 15* | 16178548004 | O-RING, 5.8X1.9 | 1 | |
| 16* | 16200ZJ1003 | VALVE ASSY., SOLENOID | 1 | |
| 17 | 16211ZJ1000 | INSULATOR, CARBURETOR | 1 | |
| 18 | 16221ZG8000 | GASKET, CARBURETOR | 2 | |
| 19 | 17228ZG8003 | GASKET, AIR CLEANER | 1 | |
| 20 | 17410ZJ1000 | ELBOW, AIR CLEANER | 1 | INCLUDES ITEMS W/+ |
| 21+ | 19024ZA0000 | COLLAR, DISTANCE | 2 | |
| 22 | 90682959661 | CLIP B, CABLE | 1 | |
| 23* | 938920501208 | SCREW WASHER, 5X12 | 2 | |
| 24 | 9500202080 | CLIP, TUBE B8 | 1 | |
| 25 | 950054500120M | BULK HOSE, VAC. 4.5X1000 X 4.5X460 | 1 | |
| 26 | 958010610508 | BOLT, FLANGE 6X105 | 2 | |
| 27 | 99201ZG80900 | JET SET, MAIN #90 | 1 | OPTIONAL |
| 27 | 99201ZG80920 | JET SET, MAIN #92 | 1 | OPTIONAL |
| 27* | 99201ZG80950 | JET SET, MAIN #95 | 1 | |

HONDA GX620TXF2 ENGINE — STARTER MOTOR ASSY.

STARTER MOTOR ASSY.



HONDA GX620TXF2 ENGINE — STARTER MOTOR ASSY.

STARTER MOTOR ASSY.

| <u>NO</u> | <u>PART NO</u> | <u>PART NAME</u> | <u>QTY.</u> | <u>REMARKS</u> |
|-----------|----------------|---------------------------------------|-------------|--------------------|
| 1 | 31200ZJ1004 | MOTOR ASSY., STARTER | 1 | INCLUDES ITEMS W/* |
| 2 | 31243ZJ1800 | BRACKET, STARTER MAGNETIC SETTING ... | 1 | INCLUDES ITEMS W/+ |
| 3 | 32402ZJ1810 | CABLE, MAGNET SWITCH | 1 | |
| 4+ | 32411KB9930 | COVER A. MAGNETIC SWITCH | 1 | |
| 5+ | 32411402000 | COVER, STARTER MOTOR TERMINAL | 1 | |
| 6 | 35850ZJ1811 | SWITCH ASSY., STARTER MAGNETIC | 1 | |
| 7 | 94050060000 | NUT, FLANGE 6MM | 2 | |
| 8+ | 9407006080 | NUT, WASHER 6MM | 2 | |
| 9 | 9430110120 | PIN, DOWEL 10X12 | 2 | |
| 10 | 957010811000 | BOLT, FLANGE 8X110 | 2 | |
| 11* | 31213ZJ1004 | GEAR SET, PINION | 1 | |
| 12* | 31217ZJ1004 | ARMATURE | 1 | |
| 13* | 31225ZJ1004 | STOPPER SET, PINION | 1 | |
| 14* | 31226ZJ1004 | BRUSH SET | 1 | |
| 15* | 31231ZJ1004 | HOLDER, BRUSH | 1 | |
| 16* | 31235ZJ1004 | BRACKET, FR. | 1 | |
| 17* | 31237ZJ1004 | NUT SET, TERMINAL | 1 | |
| 18* | 31281ZJ1004 | BOLT, THROUGH | 2 | |
| 19* | 90407ZJ1004 | WASHER, THRUST | 1 | |

HONDA GX620TXF2 ENGINE — GASKET KIT ASSY.

GASKET KIT ASSY.

NO ARTWORK AVAILABLE

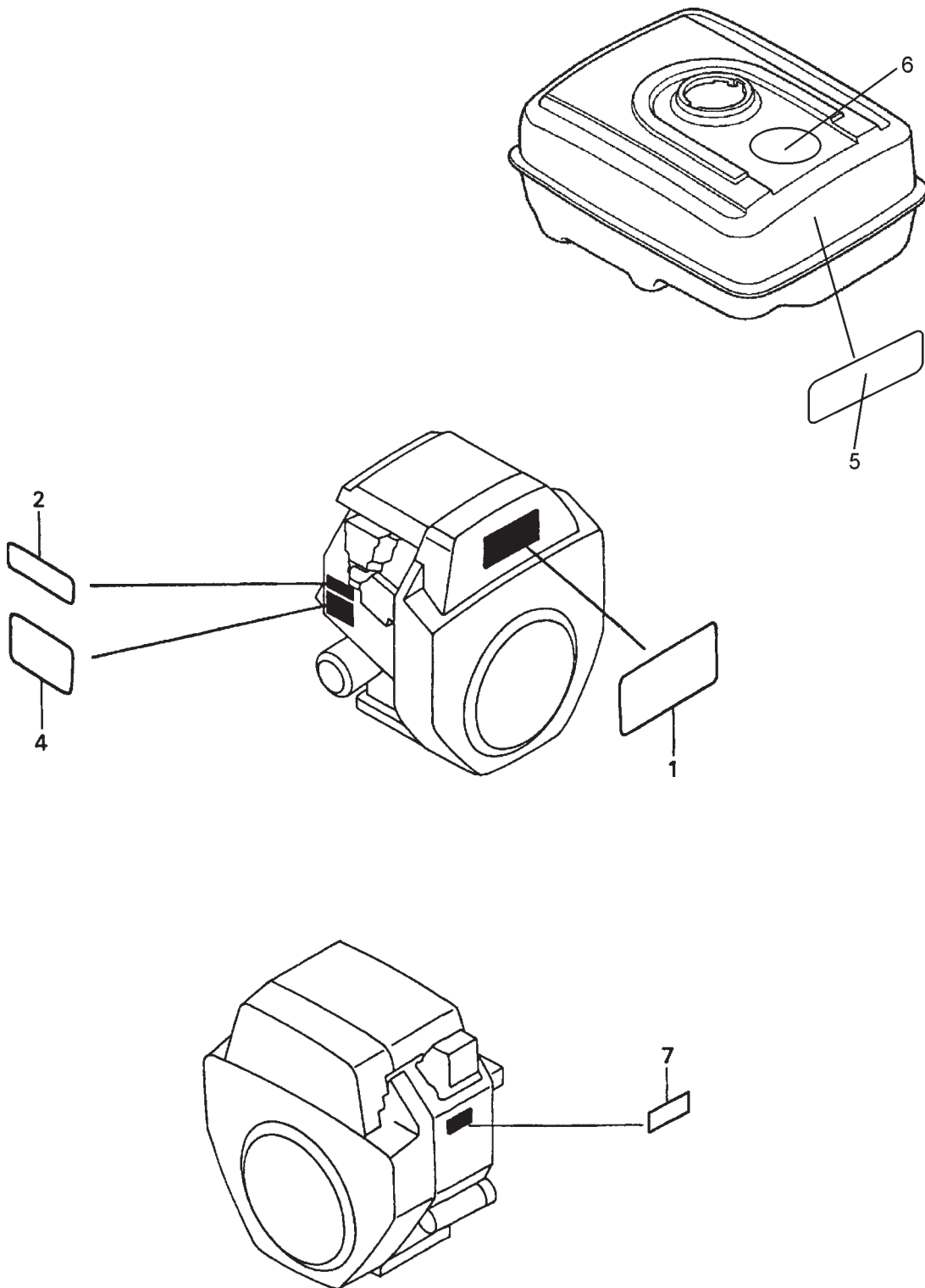
HONDA GX620TXF2 ENGINE — GASKET KIT ASSY.

GASKET KIT ASSY.

| <u>NO</u> | <u>PART NO</u> | <u>PART NAME</u> | <u>QTY.</u> | <u>REMARKS</u> |
|-----------|----------------|------------------------|-------------|--------------------|
| 1 | 061A1ZJ1000 | GASKET KIT | 1 | INCLUDES ITEMS W/* |
| 2* | 12251ZJ1003 | GASKET, CYLINDER HEAD | 2 | |
| 3* | 12358ZJ1000 | GASKET, BREATHER COVER | 1 | |
| 4* | 12391ZJ1000 | GASKET, HEAD COVER | 2 | |
| 5* | 16221ZG8000 | GASKET, CARBURETOR | 2 | |
| 6* | 171541ZJ1003 | GASKET, IN. MANIFOLD | 2 | |
| 7* | 17228ZG8003 | GASKET, AIR CLEANER | 1 | |
| 8* | 18333ZJ1000 | GASKET, EX. PIPE | 2 | |
| 9* | 91301805000 | O-RING, 26X2.7 | 1 | |

HONDA GX620TXF2 ENGINE — LABEL ASSY.

LABEL ASSY.



HONDA GX620TXF2 ENGINE — LABEL ASSY.

LABEL ASSY.

| <u>NO</u> | <u>PART NO</u> | <u>PART NAME</u> | <u>QTY.</u> | <u>REMARKS</u> |
|-----------|----------------|-------------------------------|-------------|----------------|
| 1 | 87101ZJ1000 | MARK, EMBLEM, GX620 | 1 | |
| 2 | 87152ZJ1000 | LABEL, SPECIFICATION GX620 | 1 | |
| 4 | 87522ZJ1000 | LABEL, CAUTION | 1 | |
| 5 | 22994-012 | LABEL READ OWNER'S MANUAL | 1 | |
| 6 | 22994-013 | LABEL, GAS TANK (MATCH/FLAME) | 1 | |
| 7 | 87532ZH8810 | MARK, OIL ALERT(E) | 1 | |

Effective: July 15, 2003

TERMS AND CONDITIONS OF SALE — PARTS

STOW

A DIVISION OF MULTIQUIP INC.

Terms and Conditions of Sale STOW Construction Equipment

PAYMENT TERMS

Terms of payment for unit sales are 2% 15 days net 30 days from date of invoice unless otherwise specifically stated on our invoice. Parts invoices have terms of net 10 days. **Minimum parts billing is \$15.00 net.**

Applicable discounts will be computed on merchandise value only. Late charges will be assessed at prevailing rates. Cash discounts cannot be taken on current billings if any previously billed amounts are past due.

FREIGHT POLICY

Freight policy is established to offer customers every advantage possible. Due to bulk freight ratings on some equipment and other shipping considerations, freight policies differ by equipment type. Actual back freight may be charged for shipments originating from other than specified FOB warehouses. **See Freight Policy for details.**

All STOW domestic sales are FOB nearest available designated MQ/STOW warehouse. Export orders are ex-works factory located in Carson, CA or Boise, ID.

Additions to orders already shipped cannot be accepted for freight minimums.

Should STOW elect to make partial shipments of an order originally complying with the "freight allowed" requirements, transportation charges will be absorbed by STOW on any subsequent shipment applying to that order.

All other orders will be shipped collect or prepaid with charges added to the invoice. STOW's responsibility ceases when a signed manifest has been obtained from the carrier, and any claim for shortage or damage must be settled between the consignee and the carrier.

Parts: FOB Carson, California or Boise, Idaho. **See Freight Policy for details and additional discounts.**

DROP SHIPMENTS

STOW reserves the right to refuse Drop Shipments outside the normal service area of the purchasing dealer.

FIELD WAREHOUSES

Field Warehouses are currently located in California, Georgia, Idaho, Iowa, and New Jersey

SPECIAL EXPEDITING SERVICE

The higher of a \$35.00 surcharge or actual costs will be added to the invoice for special handling, including bus shipments, or in cases where STOW personnel must personally deliver the equipment or parts to the carrier.

RETURNED GOODS POLICY

Return shipments may be accepted and credit allowed, subject to the following provisions.

1. A Returned Material Authorization (RMA) must be approved by STOW prior to shipment. Approvals for returned goods must be with just cause and are at the sole discretion of STOW. A copy of the Authorization must accompany the shipment to the designated Warehouse.
2. Parts being returned must be listed as currently supplied on the current parts list.
3. Parts must be in new and resalable condition in the original package, with part numbers clearly marked.
4. Units and accessories must be current models in the latest price list and in new and resalable condition.
5. Special order items are not returnable for credit.
6. Credit on returned parts and units will be issued at actual dealer net price at time of purchase less 15% restocking charge.
7. All returned shipments are to be made to the STOW designated receiving point, freight prepaid at the sender's expense.

The sender will be notified of any material received that does not meet the above provisions. Such material will be held for 30 days from notification pending instructions. If a reply is not received within 30 days, the material will be returned to the sender at his expense with no credit issued.

PRICING, REBATES AND SPECIFICATIONS

Every effort will be made to provide adequate notice of changes; however, prices and equipment specifications are subject to change without notice.

Price changes are effective on a specific date and all orders received on or after that date will be billed at the revised price.

Rebates for price reductions and added charges for price increases will not be made for stock in dealer inventory at the time of a price change.

STOW reserves the right to quote and sell direct to Government agencies and to Original Equipment Manufacturer accounts who use our products as integral parts of their own products.

LIMITATION OF SELLER'S LIABILITY

STOW shall not be liable hereunder for damages in excess of the purchase price of the item with respect to which damages are claimed and in no event shall STOW be liable for loss of profit or good will or for any other special, consequential or incidental damages.

LIMITATION OF WARRANTIES

There are no warranties, express or implied, made by STOW hereunder on Products manufactured or distributed by it except the warranty against defects in material and workmanship on new Products to the original purchaser, as set forth in the STOW New Product Limited Warranty.

STOW

A DIVISION OF MULTIQUIP INC.

Atlanta • Boise • Newark • Quebec, Canada
Manchester, UK • Rio de Janeiro, BR • Puebla, MX

STOW CONSTRUCTION EQUIPMENT

POST OFFICE BOX 6254
CARSON, CALIFORNIA 90749
310-661-4242 • 877-BUY-STOW
FAX: 310-604-9237
E-MAIL: stow@stowmfg.com
www.stowmfg.com

OPERATION AND PARTS MANUAL

HERE'S HOW TO GET HELP

STOW PRODUCT SUPPORT PROVIDED BY MULTIQUIP

PLEASE HAVE THE MODEL AND SERIAL
NUMBER *ON-HAND* WHEN CALLING

UNITED STATES

MULTIQUIP CORPORATE OFFICE

18910 Wilmington Ave.
Carson, CA 90746
Contact: mq@multiquip.com

Tel. (800)-421-1244
Fax (310)-537-3927

MEXICO

MQ CIPSA

Carr. Fed. Mexico-Puebla KM 126.5
Momoxpan, Cholula, Puebla 72760 Mexico
Contact: pmastretta@cipsa.com.mx

Tel. (52) 222-225-9900
Fax (52) 222-285-0420

UNITED KINGDOM

MULTIQUIP (UK) LIMITED HEAD OFFICE

Hanover Mill, Fitzroy Street,
Ashton-under-Lyne,
Lancashire OL7 0TL
Contact: sales@multiquip.co.uk

Tel. 0161 339 2223
Fax 0161 339 3226

CANADA

MULTIQUIP

4110 Industriel Boul.
Laval, Quebec, Canada H7L 6V3
Contact: jmartin@multiquip.com

Tel. (450) 625-2244
Fax (450) 625-8664

BRAZIL

MULTIQUIP

Av. Evandro Lins e Silva, 840 - grupo 505
Barra de Tijuca - Rio de Janeiro
RJ CEP 22631-470
Contact: cnavarro@multiquip.com.br, srentes@multiquip.com.br

Tel. 011-55-21-3433-9055
Fax 011-55-21-3433-9055

Your Local Dealer is:

STOW
A DIVISION OF MULTIQUIP INC.

MULTIQUIP (UK) LIMITED HEAD OFFICE

Hanover Mill, Fitzroy Street,
Ashton-under-Lyne,
Lancashire OL7 0TL

Tel.: 0161 339 2223

Fax: 0161 339 3226

Contact: kcassell@multiquip.com.uk

Internet: multiquip.com