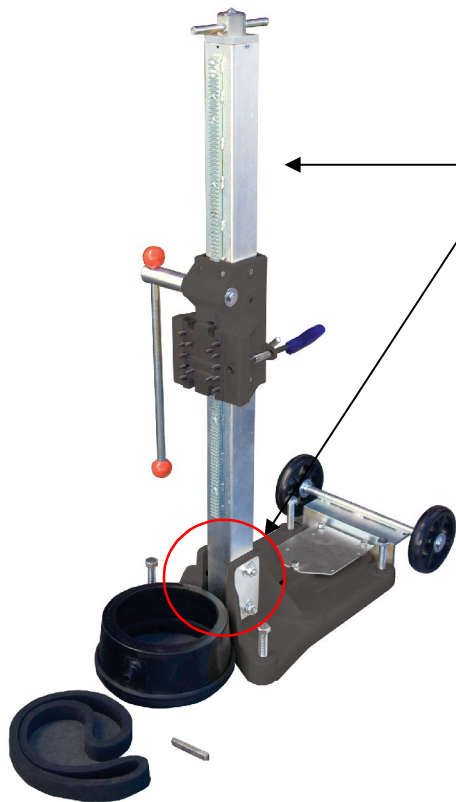




This bulletin is provided for technical reference and service related updates. If you have any questions, comments or do not wish to receive these e-mails, please reply to this e-mail or call the Service Technical Support Group 800 478-1244.

CORE DRILL STANDS

Core drill stands come in two different models; one has a straight mast and is adjustable to allow for drilling at an angle and one is non-adjustable and has a fixed vertical position straight mast.



Non- Adjustable Fixed Stationary Mast

If the part number does not have the letter 'A' at the end of it, it is stationary

MQ part number

CDM3CS

Adjustable Mast

If the part number has the letter 'A' at the end of it, it is adjustable

MQ part number

CDM3CSA

