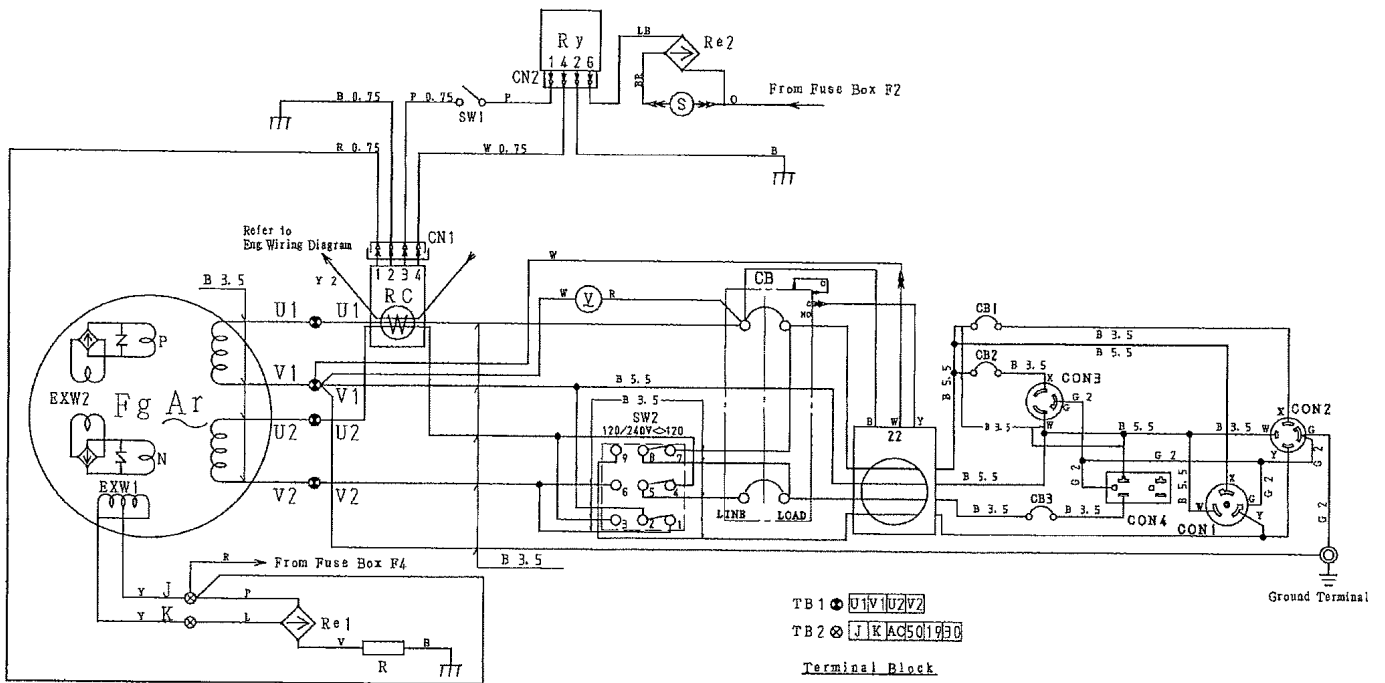
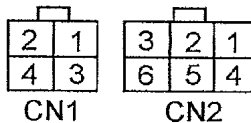


GENERATOR WIRING DIAGRAM



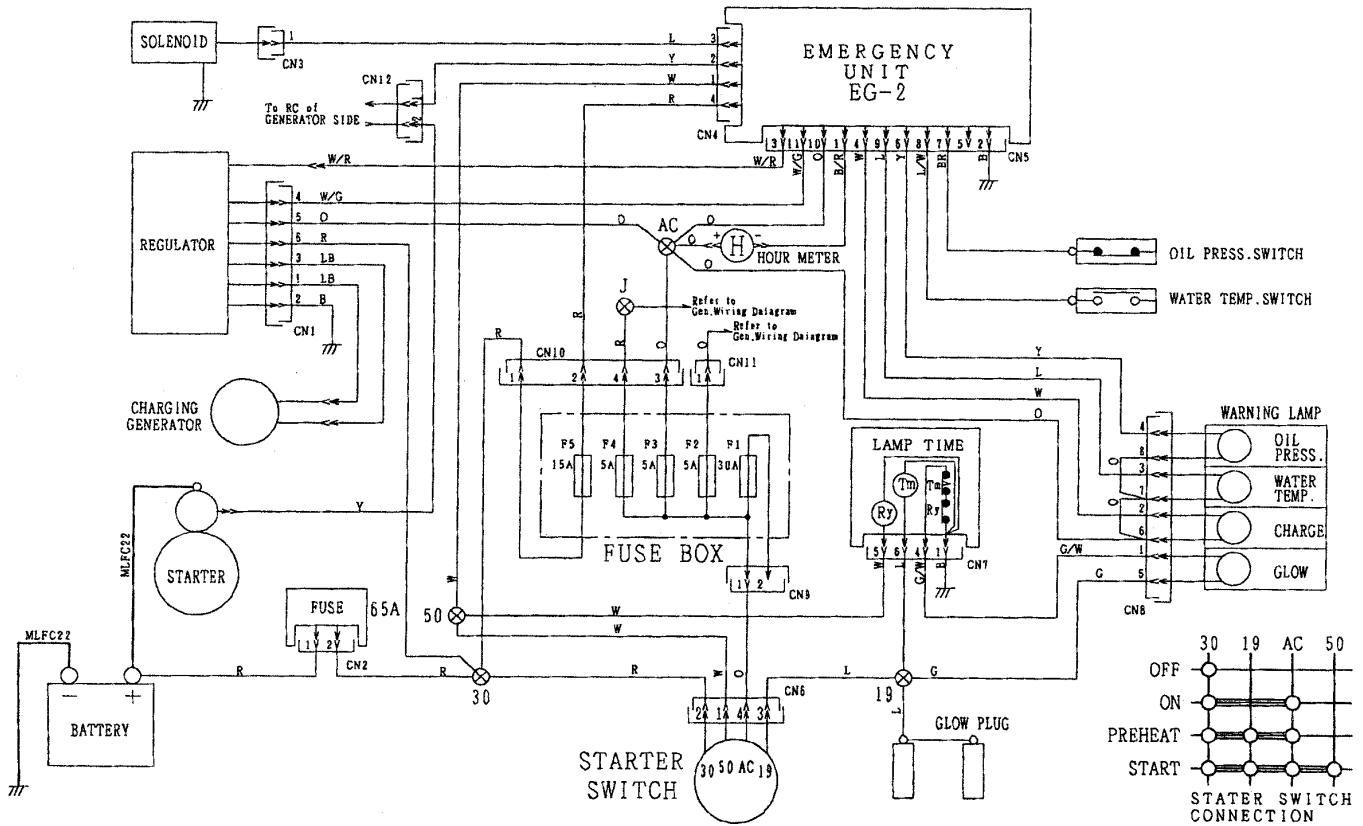
WIRING COLOR CODE	
SYMBOL	COLOR
B	BLACK
L	BLUE
BR	BROWN
G	GREEN
GR	GRAY
V	VIOLET
P	PINK
R	RED
W	WHITE
Y	YELLOW
LB	LIGHT BLUE
LG	LIGHT GREEN
O	ORANGE



SYMBOL	PARTS NAME
Ar	Armature Winding
Fg	Field Winding
EXW1~2	Excitation Winding
V	AC Voltmeter
Re 1~2	Rectifier
CON1	Receptacle (120V/240V, 50A)
CON2	Receptacle (120V/240V, 30A)
CON3	Receptacle (120V, 30A)
CON4	Receptacle (120V, 20A)
CB	Circuit Breaker (FOR MAIN)
CB 1	Circuit Protector (FOR 120/240V, 30A)
CB 2	Circuit Protector (FOR 120V, 30A)
CB 3	Circuit Protector (FOR 120V, 20A)
ZZ	GFCI Sensing Module
SW 1	Idle Control Switch
SW 2	Full Power Switch
RC	Idle Control Device
S	Solenoid
Ry	Relay
R	Resistor

Figure 47. Generator Wiring Diagram (DA7000SSA2/SSA2GH SERIES)

ENGINE WIRING DIAGRAM



CONNECTOR VIEWED AT WINDING SIDE

WIRING COLOR CODE	
SYMBOL	COLOR
B	BLACK
L	BLUE
BR	BROWN
G	GREEN
GR	GRAY
V	VIOLET
P	PINK
R	RED
W	WHITE
Y	YELLOW
LB	LIGHT BLUE
LG	LIGHT GREEN
O	ORANGE

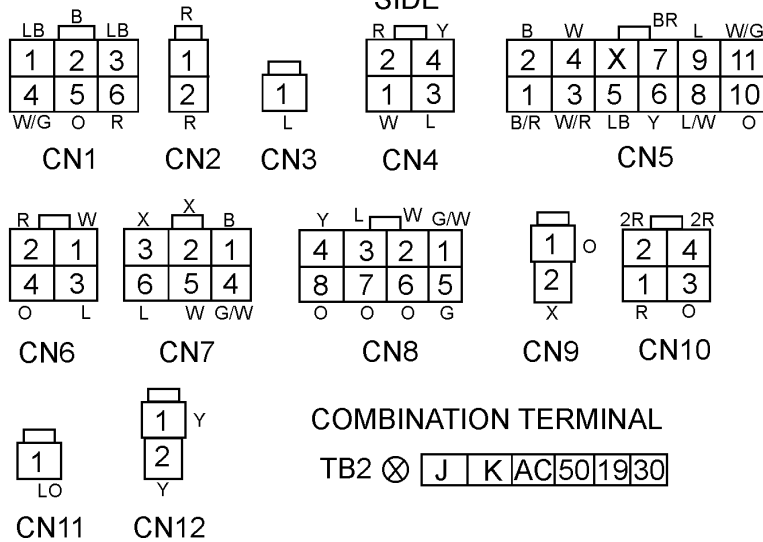


Figure 48. Engine Wiring Diagram