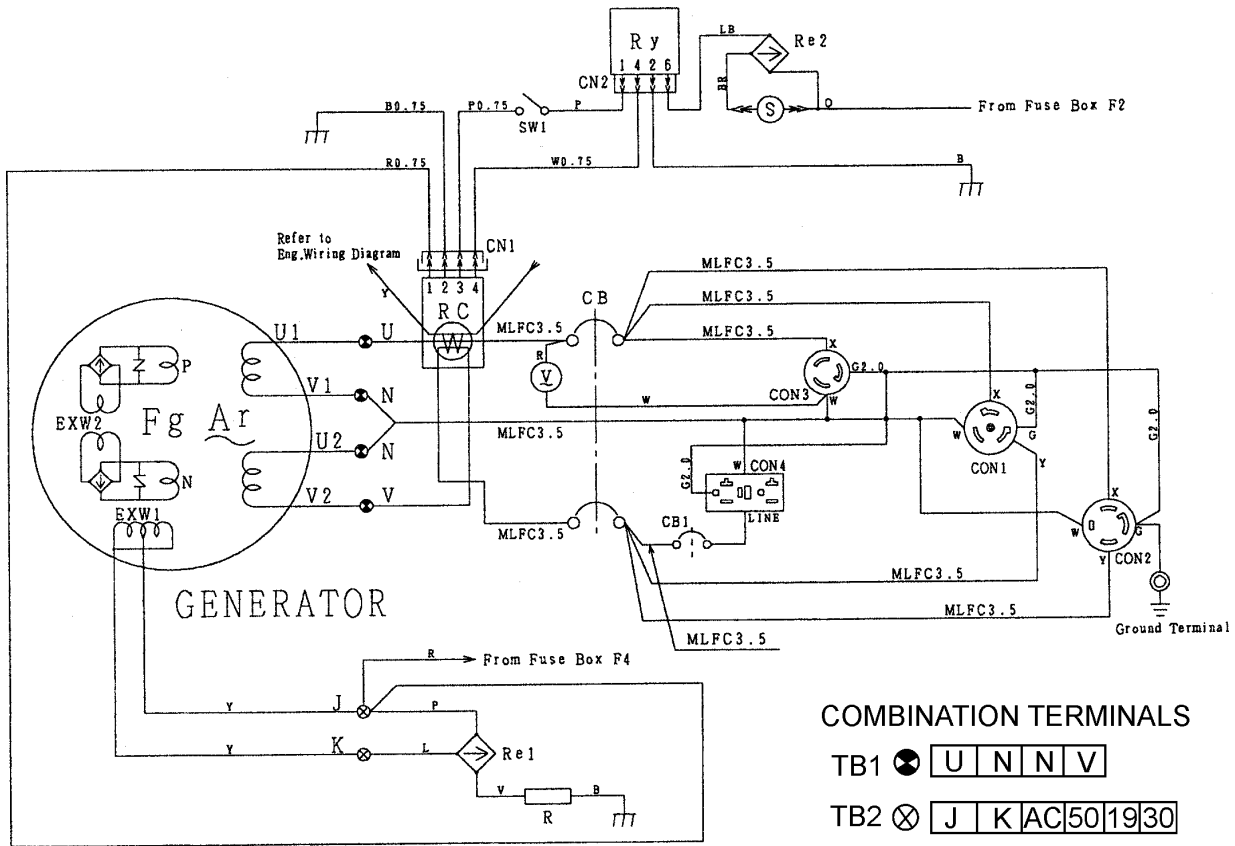
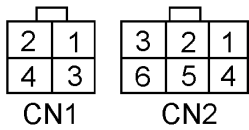


DA7000 SERIES GENERATORS — WIRING DIAGRAM GENERATOR



WIRING COLOR CODE	
SYMBOL	COLOR
B	BLACK
L	BLUE
BR	BROWN
G	GREEN
GR	GRAY
V	VIOLET
P	PINK
R	RED
W	WHITE
Y	YELLOW
LB	LIGHT BLUE
LG	LIGHT GREEN
O	ORANGE

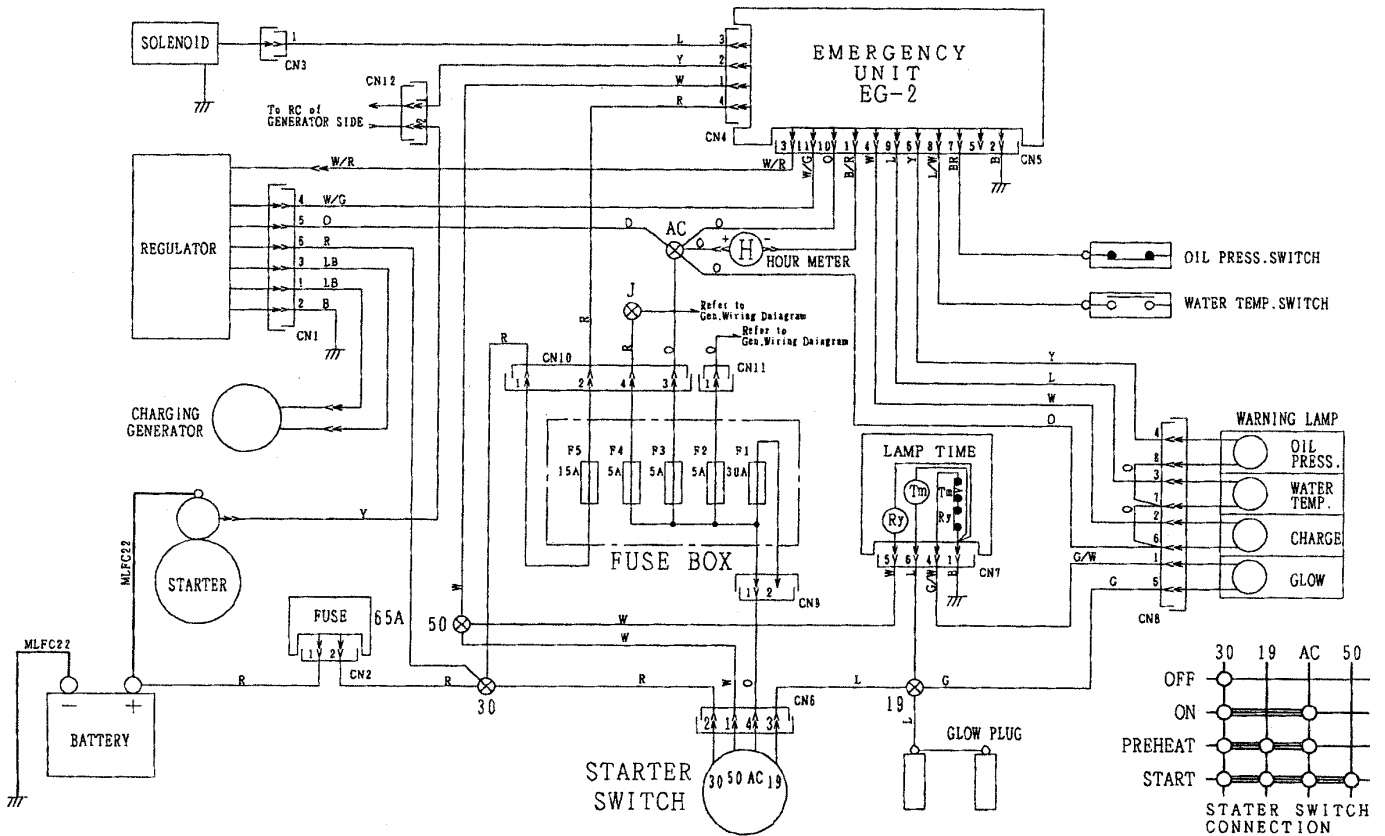
SYMBOL	PARTS NAME
AR	ARMATURE WINDING
Eg	FIELD WINDING
EXW1~2	EXCITATION WINDING
V	AC VOLTMETER
RE1~2	RECTIFIER
CON1	RECEPTACLE (120/240V, 50 AMP)
CON2	RECEPTACLE (120/240V, 30 AMP)
CON3	RECEPTACLE (120V, 30 AMP)
CON4	RECEPTACLE (120V, 20 AMP-GFCI)
CB	MAIN CIRCUIT BREAKER (265V, 25 AMP)
CB1	GFCI CIRCUIT BREAKER (250V, 20 AMP)
SW1	IDLE CONTROL SWITCH
RC	IDLE CONTROL DEVICE
S	SOLENOID
Ry	RELAY
R	RESISTOR



CONNECTOR
VIEWED AT
WINDING
SIDE

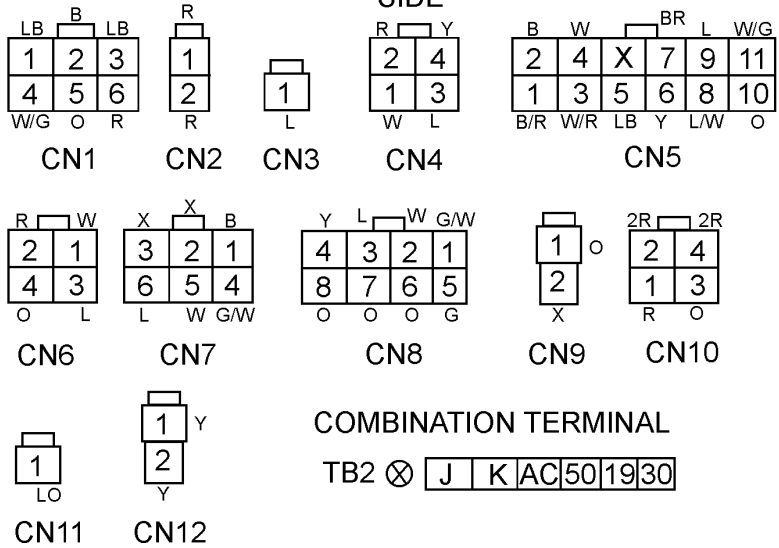
Generator Wiring Diagram

DA7000 SERIES GENERATORS — WIRING DIAGRAM ENGINE



WIRING COLOR CODE	
SYMBOL	COLOR
B	BLACK
L	BLUE
BR	BROWN
G	GREEN
GR	GRAY
V	VIOLET
P	PINK
R	RED
W	WHITE
Y	YELLOW
LB	LIGHT BLUE
LG	LIGHT GREEN
O	ORANGE

CONNECTOR VIEWED AT WINDING SIDE



Engine Wiring Diagram