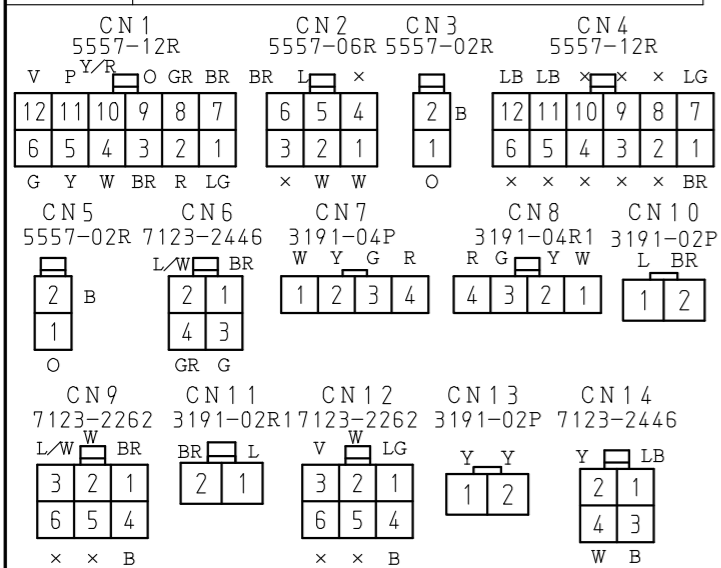
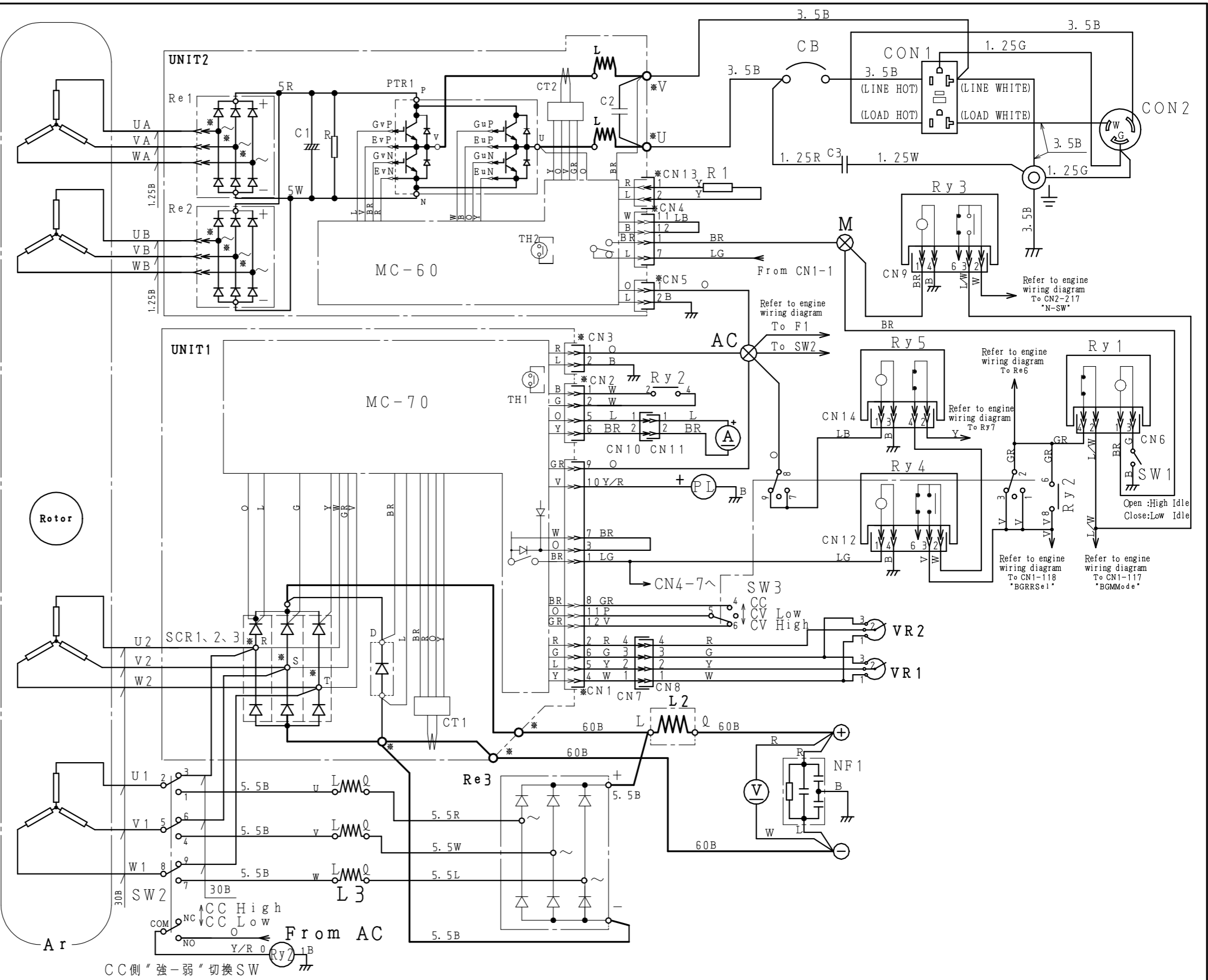


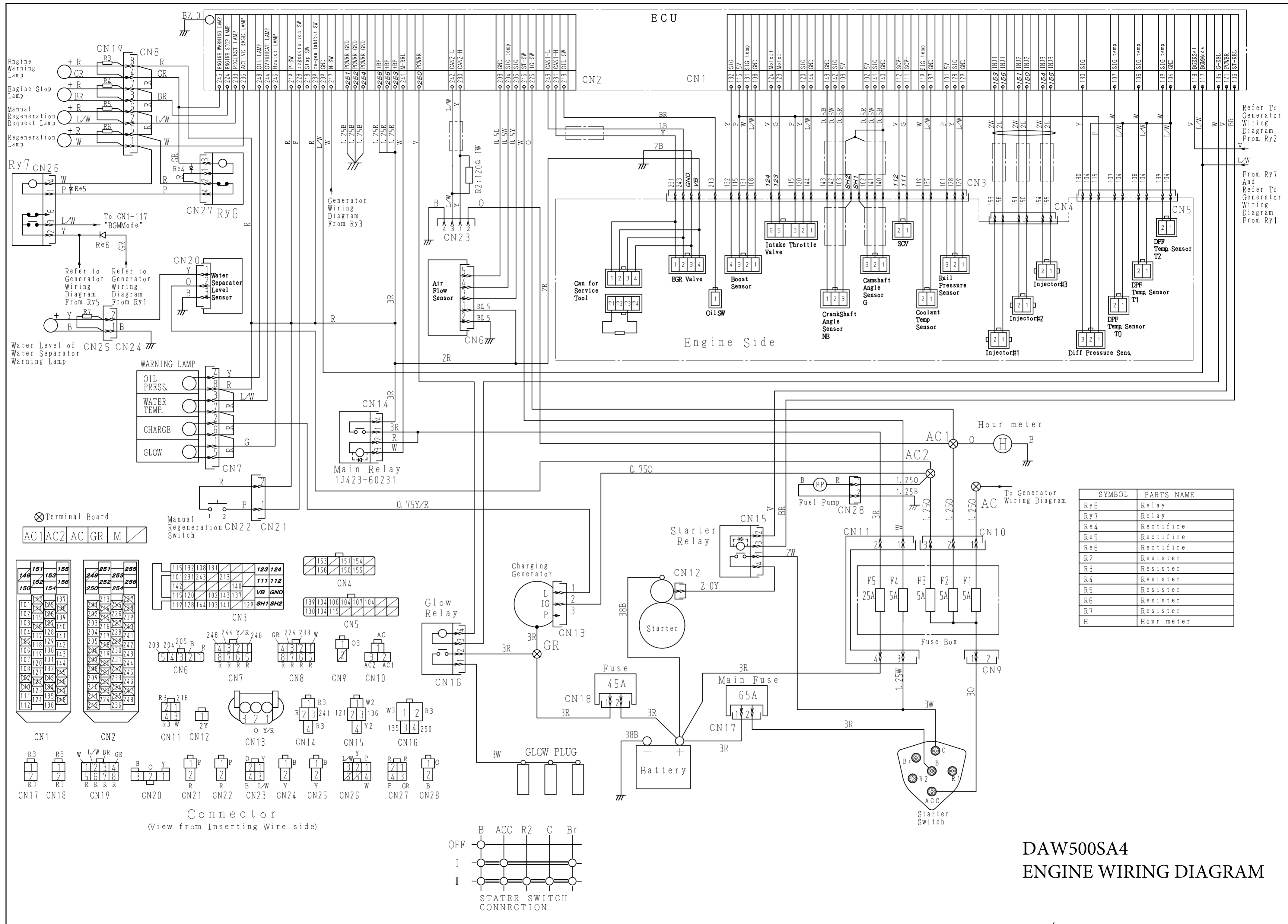
SYMBOL	PARTS NAME
Ar	Armature ass'y
Rotor	Rotor
UNIT1	Control Unit CA-53 MC-70 Control Board SCR123 Thyristor D Diode TH1 Thermostat Switch CT1 Current Transformer
UNIT2	Control Unit CA-41 MC-60 Control Board PTR1 Transistor Re1, 2 Rectifier C1 Condenser C2 Condenser TH2 Thermostat Switch CT2 Current Transformer L Reactor
C3	Condenser
SW1	Switch, Idel Control
SW2	Welding Main Selector (CC LOW/ CC HIGH, CV HIGH&LOW)
SW3	Welding Sub Selector (CV HIGH/ CV LOW/CC HIGH)
VR1	CC Current Regulator
VR2	CV Voltage Regulator
PL	Warning Lamp (for Over Load)
L2	DC Reactor
L3	AC Reactor
RY1	Relay
RY2	Relay
RY3	Relay
RY4	Relay
RY5	Relay
Re3	Rectifier
NF1	Surge Filter
⊕ ⊖	Output Terminal, Welding
CB	AC Circuit Breaker
CON1	AC Output Receptacle (GFCI)
CON2	AC Output Receptacle
R1	Resistor
V	DC Voltmeter
A	DC Ammeter
⊗	Terminal Board
⊥	Ground Terminal (for GFCI)



Connector  
(View from Inserting Wire side)



DAW500SA4  
GENERATOR WIRING DIAGRAM



SYMBOL	PARTS NAME
Ry6	Relay
Ry7	Relay
Re4	Rectifire
Re5	Rectifire
Re6	Rectifire
R2	Resister
R3	Resister
R4	Resister
R5	Resister
R6	Resister
R7	Resister
H	Hour meter

DAW500SA4  
ENGINE WIRING DIAGRAM