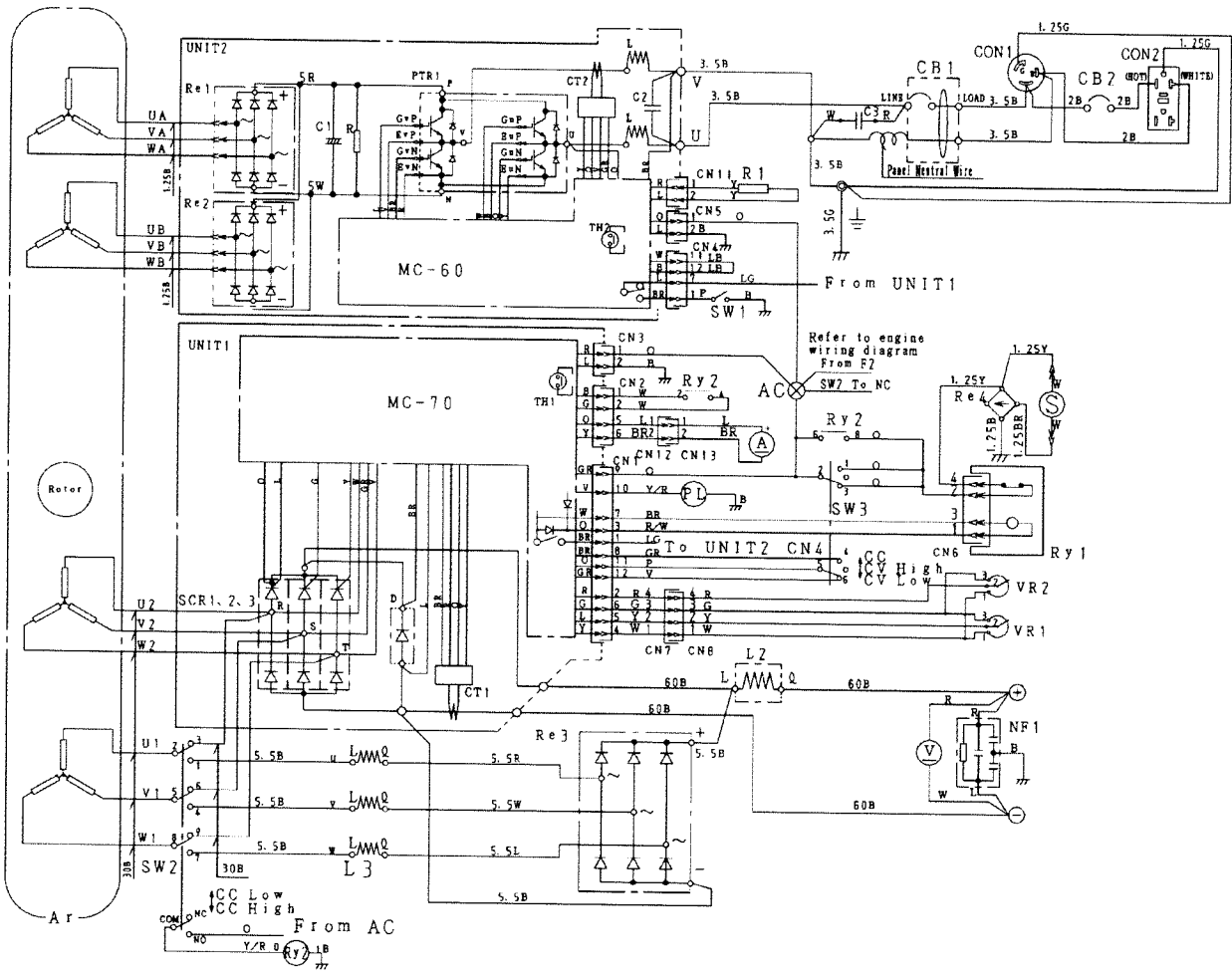
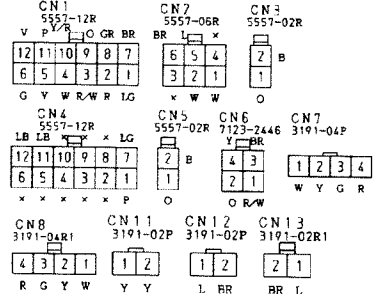


1.3. GENERATOR WIRING DIAGRAM

SYMBOL	PARTS NAME
Ar	Armature ass'y
Rotor	Rotor
UNIT1	Control Unit CA-51 MC-70 Control Board SCR1,2 Thyristor D Diode TH1 Thermostat Switch CT1 Current Transformer
UNIT2	Control Unit CA-41 MC-60 Control Board PTR1 Transistor Re1,2 Rectifier C1 Condenser C2 Condenser C7 Condenser C72 Current Transformer L Reactor
C3	Condenser
S	Rotary Selenoid
SW1	Switch, Idel Control
SW2	Welding Main Selector (CC LOW/ CC HIGH, CV HIGH&LOW)
SW3	Welding Sub Selector (CV HIGH/ CV LOW/CC HIGH)
VR1	CC Current Regulator
VR2	CV Voltage Regulator
PL	Warning Lamp (for Over Load)
L2	DC Reactor
L3	AC Reactor
RY1	Relay
RY2	Relay
Re3	Rectifier
Re4	Rectifier
NF1	Surge Filter
⊕ ⊖	Output Terminal, Welding
CB1	AC Circuit Breaker (GFCI)
CB2	AC Circuit Breaker (for CON2)
CON1	AC Output Receptacle
CON2	AC Output Receptacle (GFCI)
R1	Resistor
V	DC Voltmeter
A	DC Ammeter
⊗	Terminal Board
⊥	Ground Terminal (for GFCI)



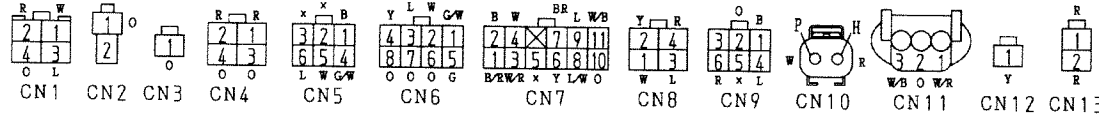
37



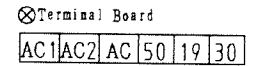
Connector  
(View from Inserting Wire side)

Wire Size	WIRING COLOR CODE			
	SYMBOL	COLOR	SYMBOL	COLOR
1.25:1.25	B	BLACK	R	RED
2.0:2.0	L	BLUE	W	WHITE
3.5:3.5	BR	BROWN	Y	YELLOW
5.5:5.5	G	GREEN	LB	LIGHT BLUE
30:30	GR	GRAY	LG	LIGHT GREEN
NO MARK:0.75	V	VIOLET	O	ORANGE
	P	PINK		

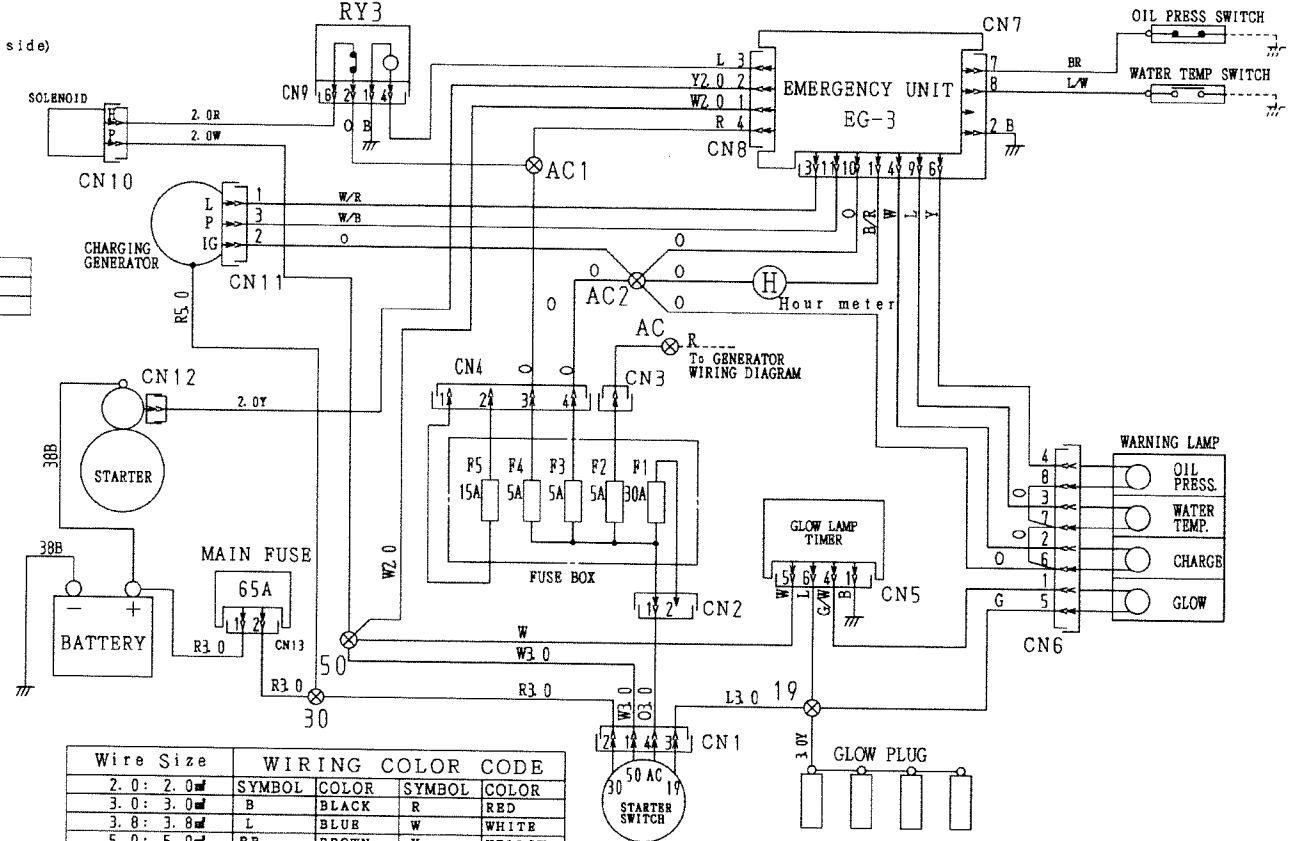
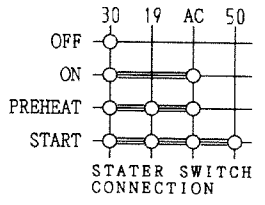
14. ENGINE WIRING DIAGRAM



Connector  
(View from Inserting Wire side)



SYMBOL	PARTS NAME
RY3	Relay
H	Hour meter



Wire Size	WIRING COLOR CODE			
2.0: 2.0mm <sup>2</sup>	SYMBOL	COLOR	SYMBOL	COLOR
3.0: 3.0mm <sup>2</sup>	B	BLACK	R	RED
3.8: 3.8mm <sup>2</sup>	L	BLUE	W	WHITE
5.0: 5.0mm <sup>2</sup>	BR	BROWN	Y	YELLOW
38: 38mm <sup>2</sup>	G	GREEN	LB	LIGHT BLUE
NO MARK: 0.75mm <sup>2</sup>	GR	GRAY	LG	LIGHT GREEN
	V	VIOLET	O	ORANGE
	P	PINK		