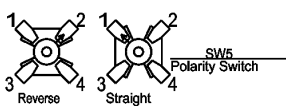
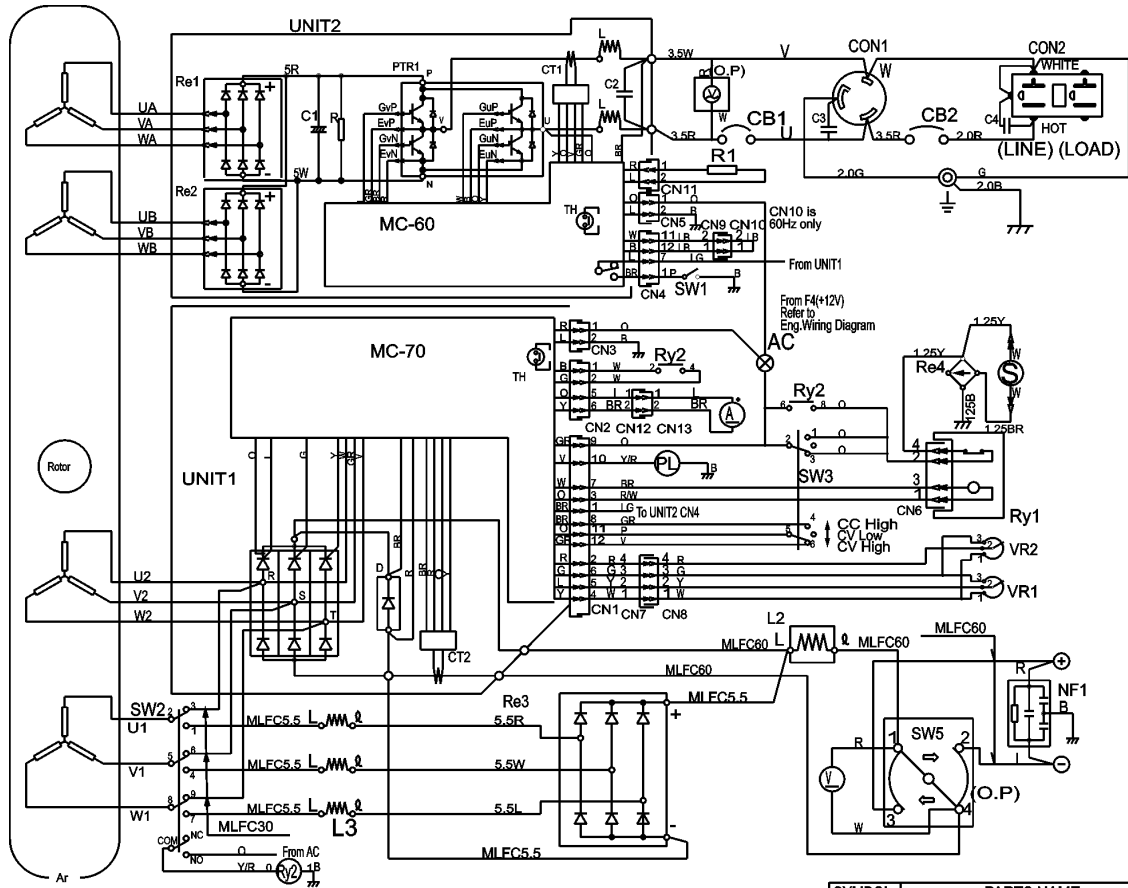


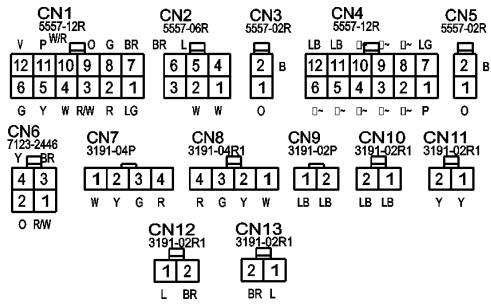
# DAW-500S —GENERATOR WIRING DIAGRAM



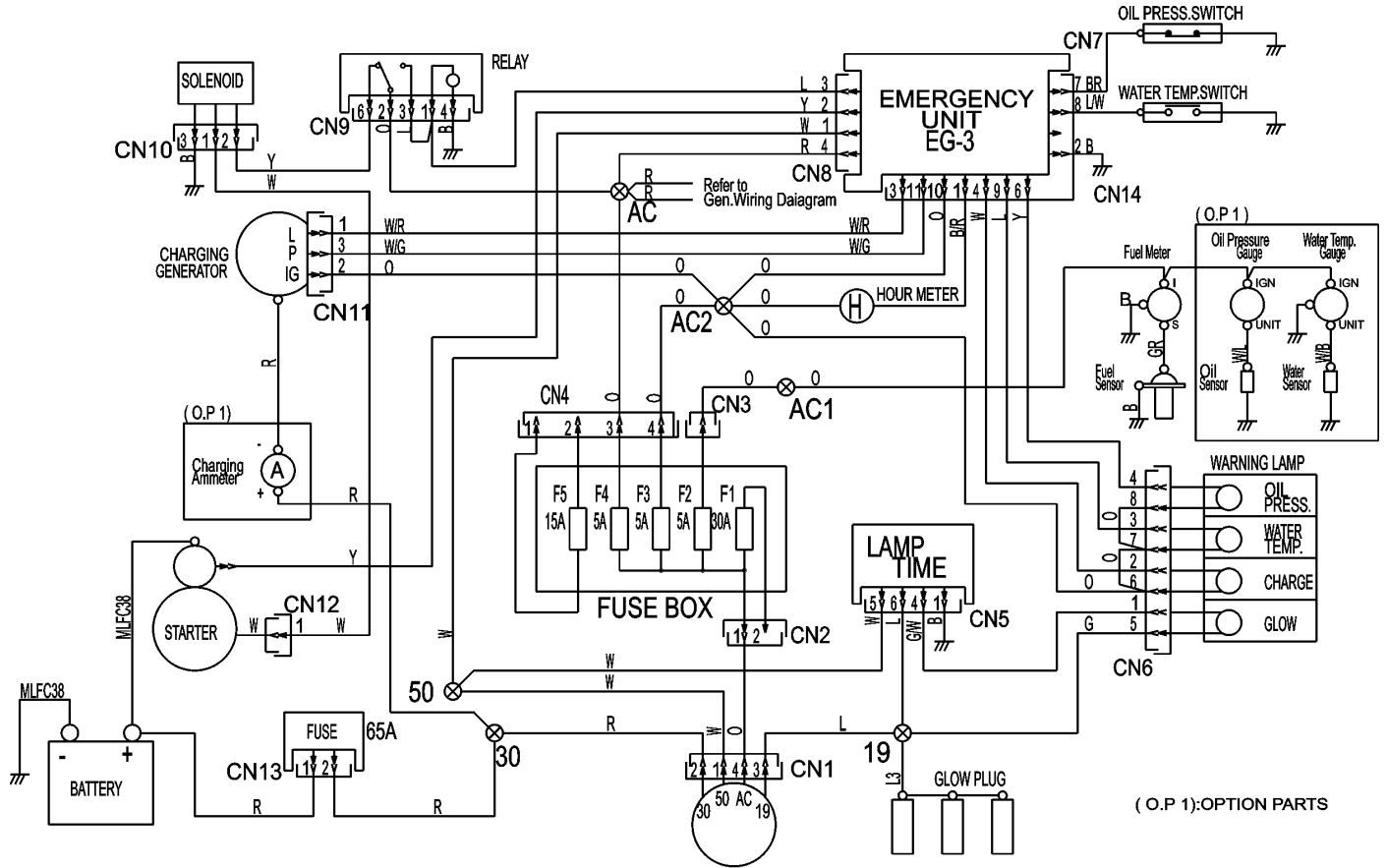
WIRING COLOR CODE			
SYMBOL	COLOR	SYMBOL	COLOR
B	BLACK	R	RED
L	BLUE	W	WHITE
BR	BROWN	Y	YELLOW
G	GREEN	LB	LIGHT BLUE
GR	GRAY	LG	LIGHT GREEN
V	VIOLET	O	ORANGE
P	PINK		

SYMBOL	PARTS NAME
Ar	Armature Ass'y
Rotor	Rotor
UNIT1	Control Unit CA-50 MC-60 Control Board PTR1 Thyristor D Diode TH Thermostat Switch CT1 Current Transformer
UNIT2	Control Unit CA-41(100V CLASS) MC-60 Control Board PTR1 Thyristor Re1,2 Rectifier C1 Condenser L Reactor TH Thermostat Switch CT2 Current Transformer
C3,4	Condenser
S	Rotary Solenoid
SW1	Switch, Idle Control
SW2	Welding Main Selector(CC LOW/ CC HIGH, CV HIGH&LOW)
SW3	Welding Sub Selector(CV HIGH/ CV LOW/CC HIGH)
VR1	CC Current Regulator
VR2	CV Voltage Regulator
PL	Warning Lamp(for Over Load)
L2	DC Reactor
L3	AC Reactor
RY1,2	Relay
Re3	Rectifier
Re4	Rectifier
NF1	Surge Filter
⊕	Output Terminal,Welding
CB1	AC Circuit Breaker(for main)
CB2	AC Circuit Breaker(for GFCI)
CON1	AC Output Receptacle
CON2	AC Output Receptacle(GFCI)
R1	Resistor
⊖	Ground Terminal(for GFCI)
V	DC Voltmeter
A	DC Ammeter
	OPTION
⊕	AC Voltmeter
SW5	Switch,Polarity Change Over

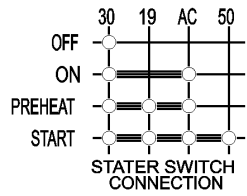
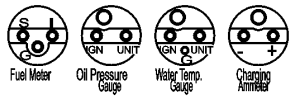
## Connector (View from Inserting Wire side)



# DAW-500S —ENGINE WIRING DIAGRAM



(O.P 1):OPTION PARTS



## STARTER SWITCH

WIRING COLOR CODE			
SYMBOL	COLOR	SYMBOL	COLOR
B	BLACK	R	RED
L	BLUE	W	WHITE
BR	BROWN	Y	YELLOW
G	GREEN	LB	LIGHT BLUE
GR	GRAY	LG	LIGHT GREEN
V	VIOLET	O	ORANGE
P	PINK		

## Connector (View from Inserting Wire side)

