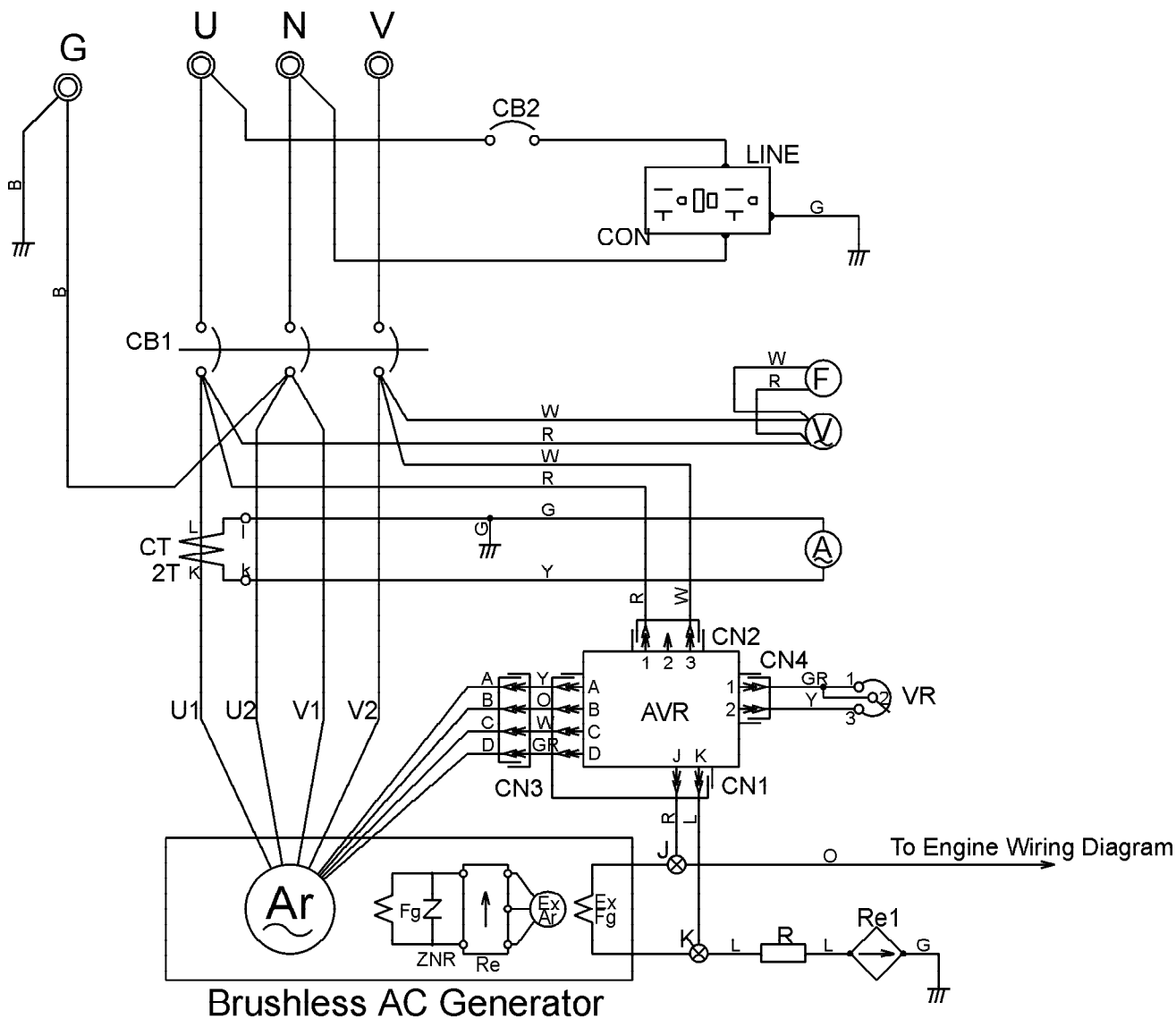


DCA-10SPX3 — SPECIFICATIONS

Table 5. Specifications

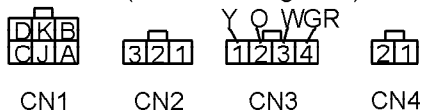
Generator Specifications	
Model	DCA10SPX3
Type	Rotating-Field, Protection Type Synchronous Generator
Excitation	Brushless Type (With A.V.R)
Phase	Single Phase
Frequency	60 Hz
Wires	3-Wires (Neutral Grounded)
Max. Rated Output	10.5 kW/16.5 HP @ 1800 rpm
Continious Rated Output	10 kW/16.5 HP @ 1800 rpm
Single Phase Output Voltage	120/240 Volts
Frequency	60 Hz
Power Factor	100%
Rating	Continuous
Engine Specifications	
Model	KUBOTA D1403
Type	Vertical, 3-Cycle
No. of Cylinders	3
Displacement	1393 cu. in.
Bore X Stroke	3.15 in. X 3.64 in. (80 mm X 92.4 mm)
Cooling System	Water-Cooled
Starting System	Electric Start
Cooling Water Capacity	1.4 gal/5.3 liters
Lube Oil Capacity	1.77 gal/6.7 liters
Lubricant (API Class)	Above CC Grade
Battery	12V-70Ah
Fuel	Diesel Fuel Oil No. 2-D
Fuel Consumption	At full load 1.1 gal/hr./ 4.2 liters/hr. At 3/4 load 0.9 gal/hr./ 3.4 liters/hr. At 1/2 load 0.7 gal/hr./ 2.6 liters/hr. At 1/2 load 0.5 gal/hr./ 1.9 liters/hr.
Sound At Full Load	65 dbA (distance = 23 feet)
Dimensions (LxWxH)	56 x 26 x 36 in. (142 x 66 x 91 cm.)
Dry Weight	1123 lbs. (509 kg)

DCA-10SPX3 —GENERATOR WIRING DIAGRAM



WIRING COLOR CODE			
SYMBOL	COLOR	SYMBOL	COLOR
B	BLACK	R	RED
L	BLUE	W	WHITE
BR	BROWN	Y	YELLOW
G	GREEN	LB	LIGHT BLUE
GR	GRAY	LG	LIGHT GREEN
V	VIOLET	O	ORANGE
P	PINK		

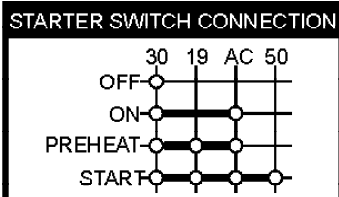
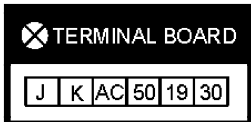
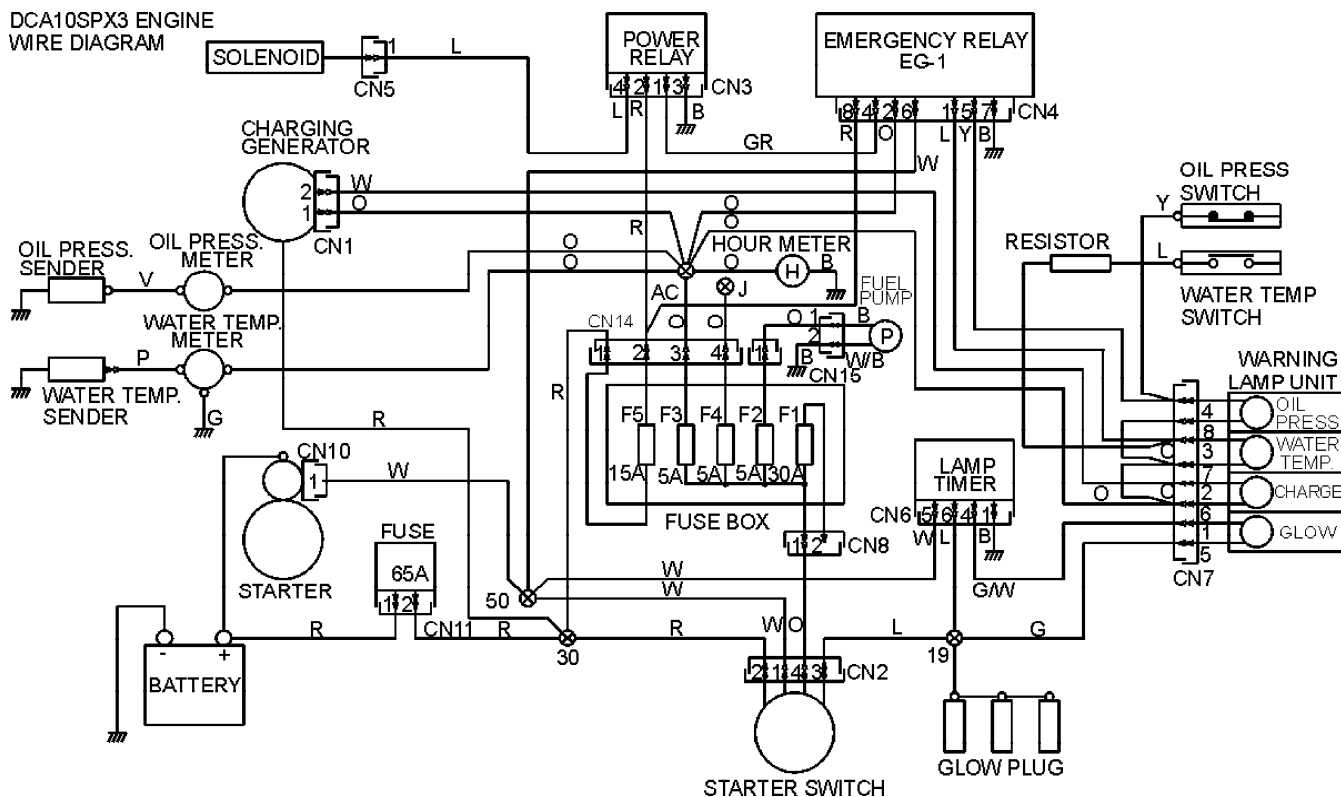
CONNECTOR (View at Wiring Side)



SYMBOL	PARTS NAME
V	AC Voltage Meter
A	AC Ammeter
F	Frequency Meter
CB1,2	Circuit Breaker
CON	Output Receptacle
CT	Current Transformer Ammeter
AVR	Automatic Voltage Regulator
VR	Voltage Regulator
R	Resistor
Re1	Rectifier
J, K	Combination Terminal
U, N, V	Output Terminal
G	Ground Terminal

DCA-10SPX3 —ENGINE WIRING DIAGRAM

DCA10SPX3 ENGINE WIRE DIAGRAM



COLOR CODE TABLE

CODE/WIRE COLOR			
B	BLACK	R	RED
L	BLUE	W	WHITE
BR	BROWN	Y	YELLOW
G	GREEN	LB	LIGHT BLUE
GR	GRAY	LG	LIGHT GREEN
V	VIOLET	O	ORAGNE
P	PINK		

