

# PARTS MANUAL



**WHISPERWATT™ SERIES  
MODEL DCA10SPX4  
MODEL DCA10SPXU4  
60Hz GENERATOR  
(KUBOTA D1503-M DIESEL ENGINE)**

**DCA10SPX4 S/N 3819207~  
DCA10SPXU4 S/N 8710001~8710230 Parts List No. M0871300104A**

Revision #1 (08/18/20)

To find the latest revision of this publication or associated operation manual, visit our website at: [www.multiquip.com](http://www.multiquip.com)



**THIS MANUAL MUST ACCOMPANY THE EQUIPMENT AT ALL TIMES.**



**MQ POWER 50 HZ  
DCA10SPX4/DCA10SPXU4  
WHISPERWATT™ GENERATOR**

Table Of Contents ..... 3  
Explanation of Code in Remarks Column ..... 4  
Suggested Spare Parts ..... 5

**COMPONENT DRAWINGS**

Generator Assembly ..... 6-7  
Control Panel Assembly ..... 8-11  
Output Receptacle Assembly ..... 12-13  
Engine and Radiator Assembly ..... 14-17  
Battery Assembly (DCA10SPX4) ..... 18-19  
Battery Assembly (DCA10SPXU4) ..... 20-21  
Muffler Assembly ..... 22-23  
Fuel Tank Assembly ..... 24-25  
Enclosure Assembly ..... 26-29  
Rubber Seals Assembly ..... 30-31  
Nameplate and Decals ..... 32-27

**NOTICE**

Specification and part number are subject to change without notice

# DCA10SPX4/U4 — EXPLANATION OF CODE IN REMARKS COLUMN

The following section explains the different symbols and remarks used in the Parts section of this manual. Use the help numbers found on the back page of the manual if there are any questions.

The contents and part numbers listed in the parts section are subject to change **without notice**. Multiquip does not guarantee the availability of the parts listed.

Sample Parts List:

NO.	PART NO.	PART NAME	QTY.	REMARKS
1	12345	BOLT .....	1	INCLUDES ITEMS W/*
2*		WASHER, 1/4 IN. ....		NOT SOLD SEPARATELY
2*	12347	WASHER, 3/8 IN. ...	1	MQ-45T ONLY
3	12348	HOSE .....	A/R	MAKE LOCALLY
4	12349	BEARING .....	1	S/N 2345B AND ABOVE

## NO. Column

**Unique Symbols** - All items with same unique symbol (\*, #, +, %, or >) in the number column belong to the same assembly or kit, which is indicated by a note in the "Remarks" column.

**Duplicate Item Numbers** - Duplicate numbers indicate multiple part numbers are in effect for the same general item, such as different size saw blade guards in use or a part that has been updated on newer versions of the same machine.

When ordering a part that has more than one item number listed, check the remarks column for help in determining the proper part to order.

## PART NO. Column

**Numbers Used** - Part numbers can be indicated by a number, a blank entry, or TBD.

TBD (To Be Determined) is generally used to show a part that has not been assigned a formal part number at time of publication.

A blank entry generally indicates that the item is not sold separately or is not sold by Multiquip. Other entries will be clarified in the "Remarks" Column.

## QTY. Column

**Numbers Used** - Item quantity can be indicated by a number, a blank entry, or A/R.

A/R (As Required) is generally used for hoses or other parts that are sold in bulk and cut to length.

A blank entry generally indicates that the item is not sold separately. Other entries will be clarified in the "Remarks" Column.

## REMARKS Column

Some of the most common notes found in the "Remarks" Column are listed below. Other additional notes needed to describe the item can also be shown.

**Assembly/Kit** - All items on the parts list with the same unique symbol will be included when this item is purchased.

Indicated by:

"INCLUDES ITEMS W/(unique symbol)"

**Serial Number Break** - Used to list an effective serial number range where a particular part is used.

Indicated by:

"S/N XXXXX AND BELOW"

"S/N XXXX AND ABOVE"

"S/N XXXX TO S/N XXX"

**Specific Model Number Use** - Indicates that the part is used only with the specific model number or model number variant listed. It can also be used to show a part is NOT used on a specific model or model number variant.

Indicated by:

"XXXXX ONLY"

"NOT USED ON XXXX"

**"Make/Obtain Locally"** - Indicates that the part can be purchased at any hardware shop or made out of available items. Examples include battery cables, shims, and certain washers and nuts.

**"Not Sold Separately"** - Indicates that an item cannot be purchased as a separate item and is either part of an assembly/kit that can be purchased, or is not available for sale through Multiquip.

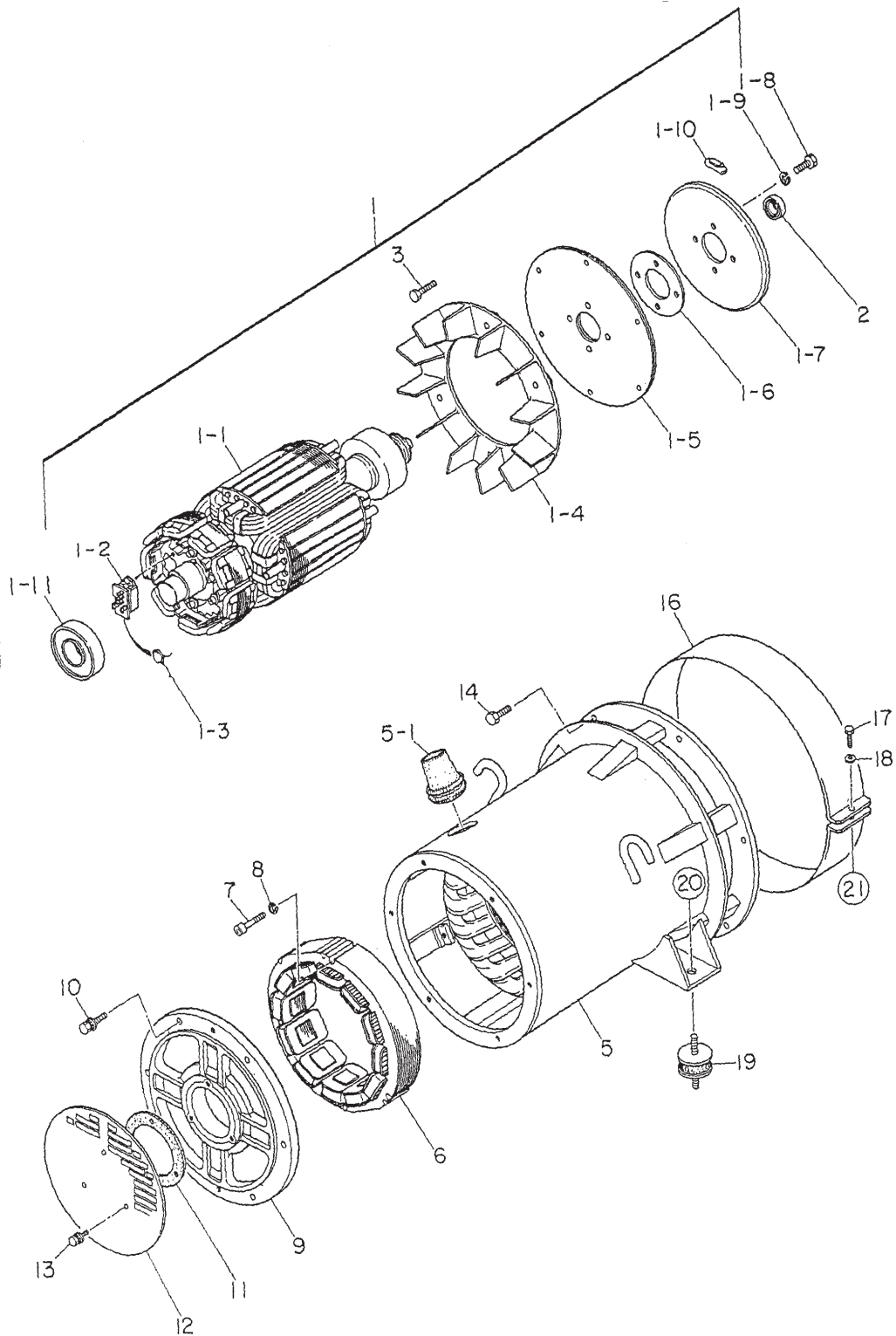
# DCA10SPX4/DCA10SPXU4 — SUGGESTED SPARE PARTS

## DCA10SPX4/DCA10SPXU4 WHISPER WATTGENERATORS W/KUBOTA D1503M DIESEL ENGINE 1 TO 3 UNITS

<u>Qty.</u>	<u>P/N</u>	<u>Description</u>
5 .....	1641432433 .....	FILTER, OIL
5 .....	1522143172 .....	ELEMENT, FUEL FILTER
3 .....	0602046335 .....	ELEMENT, AIR
1 .....	1638297011 .....	BELT, FAN
1 .....	0810105800 .....	CAP. FUEL TANK
1 .....	1554383040 .....	SENDER, WATER SWITCH (ENGINE)
1 .....	1584139010 .....	SENDER, OIL SWITCH (ENGINE)
5 .....	0601806642 .....	FUSE, 5A
4 .....	0601806645 .....	FUSE, 10A
1 .....	0601806640 .....	FUSE, 65A
1 .....	0691820663 .....	AUTOMATIC VOLTAGE REGULATOR
1 .....	0601840073 .....	RHEOSTAT
1 .....	0601840121 .....	KNOB, RHEOSTAT
1 .....	0601808803 .....	CIRCUIT BREAKER 1P@20A
1 .....	0601808807 .....	CIRCUIT BREAKER 1P@30A
1 .....	0601808808 .....	CIRCUIT BREAKER 2P@30A
1 .....	0601808809 .....	CIRCUIT BREAKER 2P@45A

# DCA10SPX4/DCA10SPXU4 — GENERATOR ASSY.

GENERATOR ASSY.



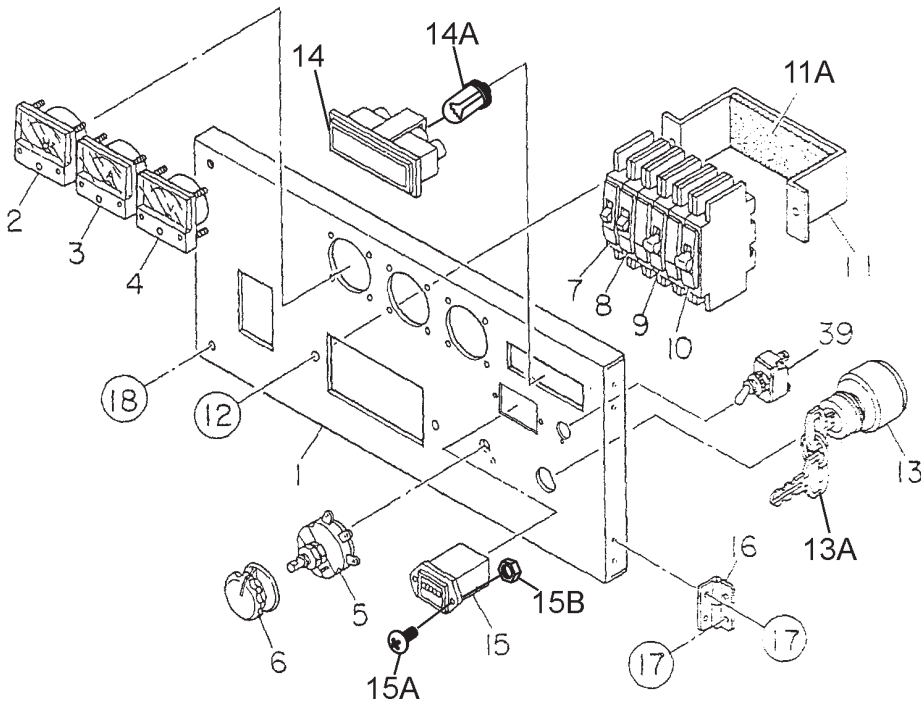
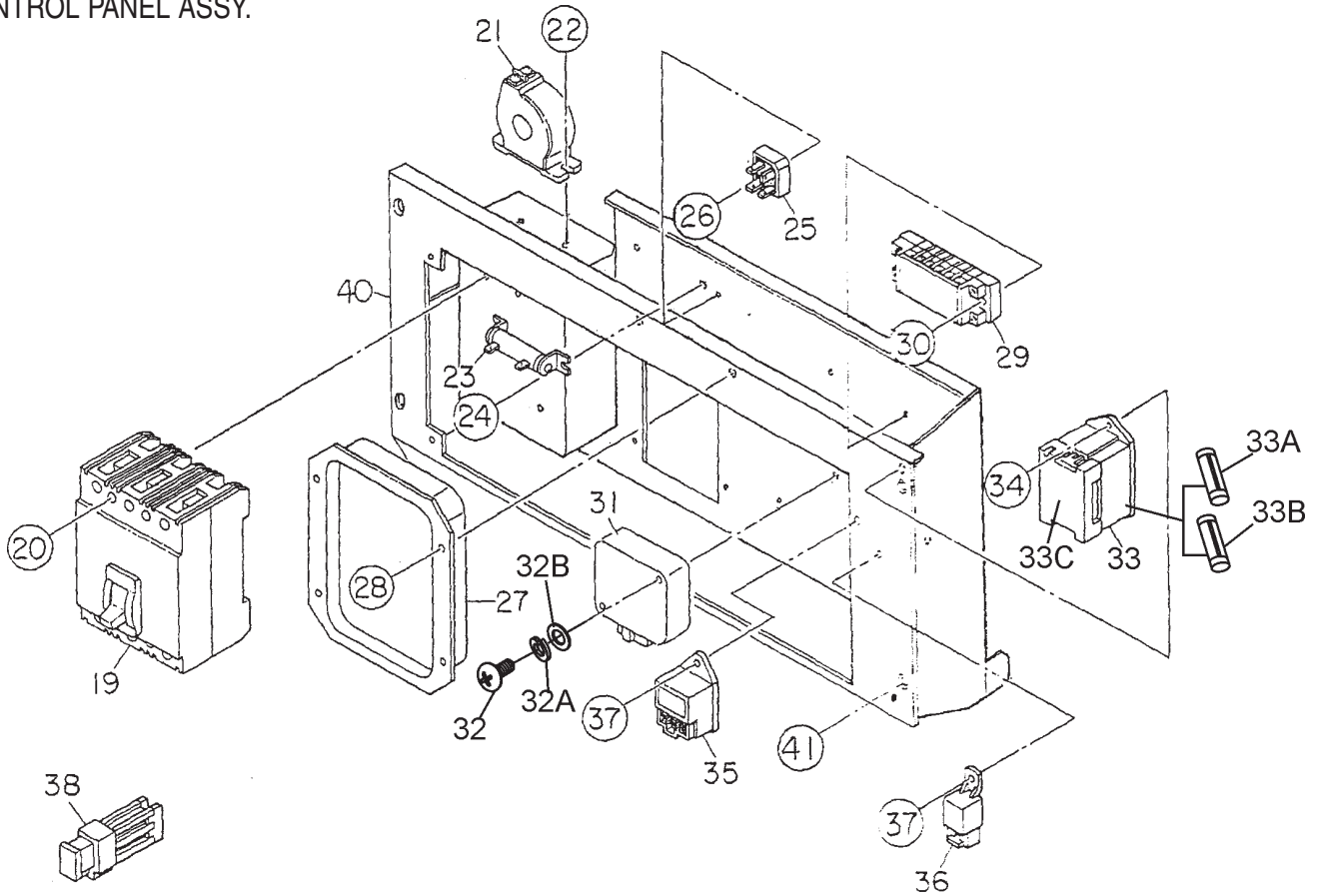
# DCA10SPX4/DCA10SPXU4 — GENERATOR ASSY.

## GENERATOR ASSY.

<u>NO.</u>	<u>PART NO.</u>	<u>PART NAME</u>	<u>QTY.</u>	<u>REMARKS</u>
1	8321000102	ROTOR ASSY .....	1 .....	INCLUDES ITEMS W/%
1-1%		FIELD ASSY	1	
1-2%	0601821374	RECTIFIER	1	
1-3%	0601822630	SURGE ABSORBER	1	
1-4%	8001070003	FAN	1	
1-5%	8351611004	COUPLING DISK	2	
1-6%	8351612004	WASHER, COUPLING HUB	1	
1-7%	8351615003	BALANCING PLATE .....	1 .....	PURCHASE 1-10 AS A SET
1-8%	0010310025	HEX HEAD BOLT	4	
1-9%	0042610000	WASHER, LOCK	4	
1-10%	0601000209	BALANCING WEIGHT KIT	1	
1-11	0071906308	BEARING, 6308DDU	1	
2	0070506903	BEARING, 6903ZZ	1	
3	0012808035	HEX HEAD BOLT	6	
5	B0130101003	STATOR ASSY	1	
5-1	0845041904	GROMMET	1	
6	8431350003	FIELD ASSY.,EXCITER	1	
7	0016008045	HEX SOCKET HEAD CAP SCREW	3	
8	0042508000	WASHER, LOCK	3	
9	8351315003	END BRACKET	1	
10	0017108035	HEX HEAD BOLT	6	
11	8351312004	PACKING	1	
12	8351331004	COVER, SUCTION	1	
13	0017106016	HEX HEAD BOLT	3	
14	0012810025	HEX HEAD BOLT	6	
16	B0155400204	COVER, FAN	1	
17	0010106030	HEX HEAD BOLT	1	
18	0041206000	WASHER, FLAT	1	
19	0805083204	RUBBER SUSPENSION	2	
20	0207010000	HEX NUT	2	
21	0601815000	NUT	1	

# DCA10SPX4/DCA10SPXU4 — CONTROL PANEL ASSY.

CONTROL PANEL ASSY.





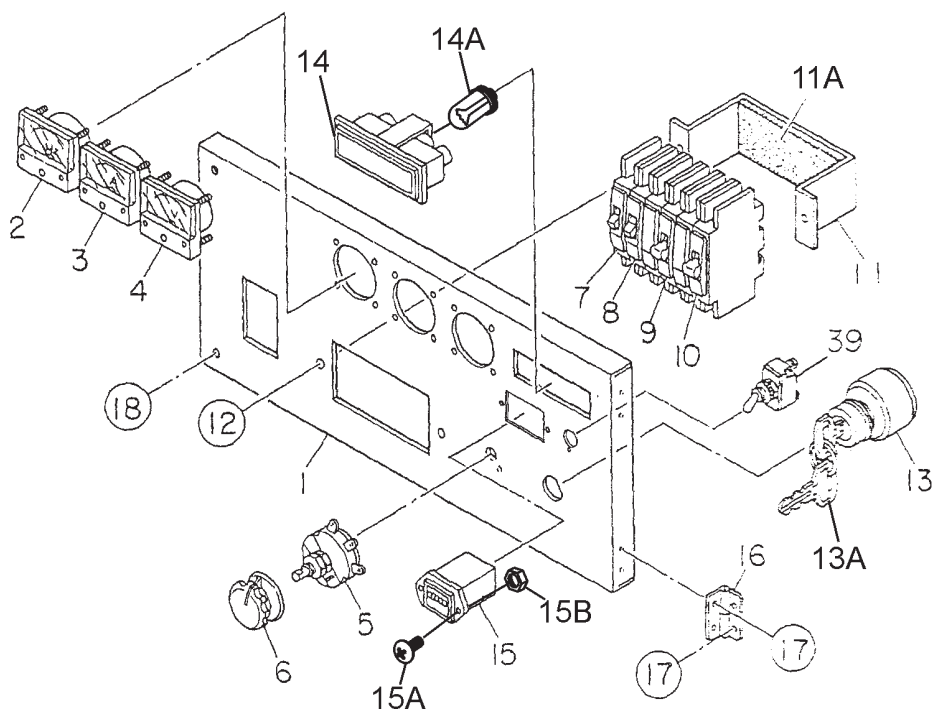
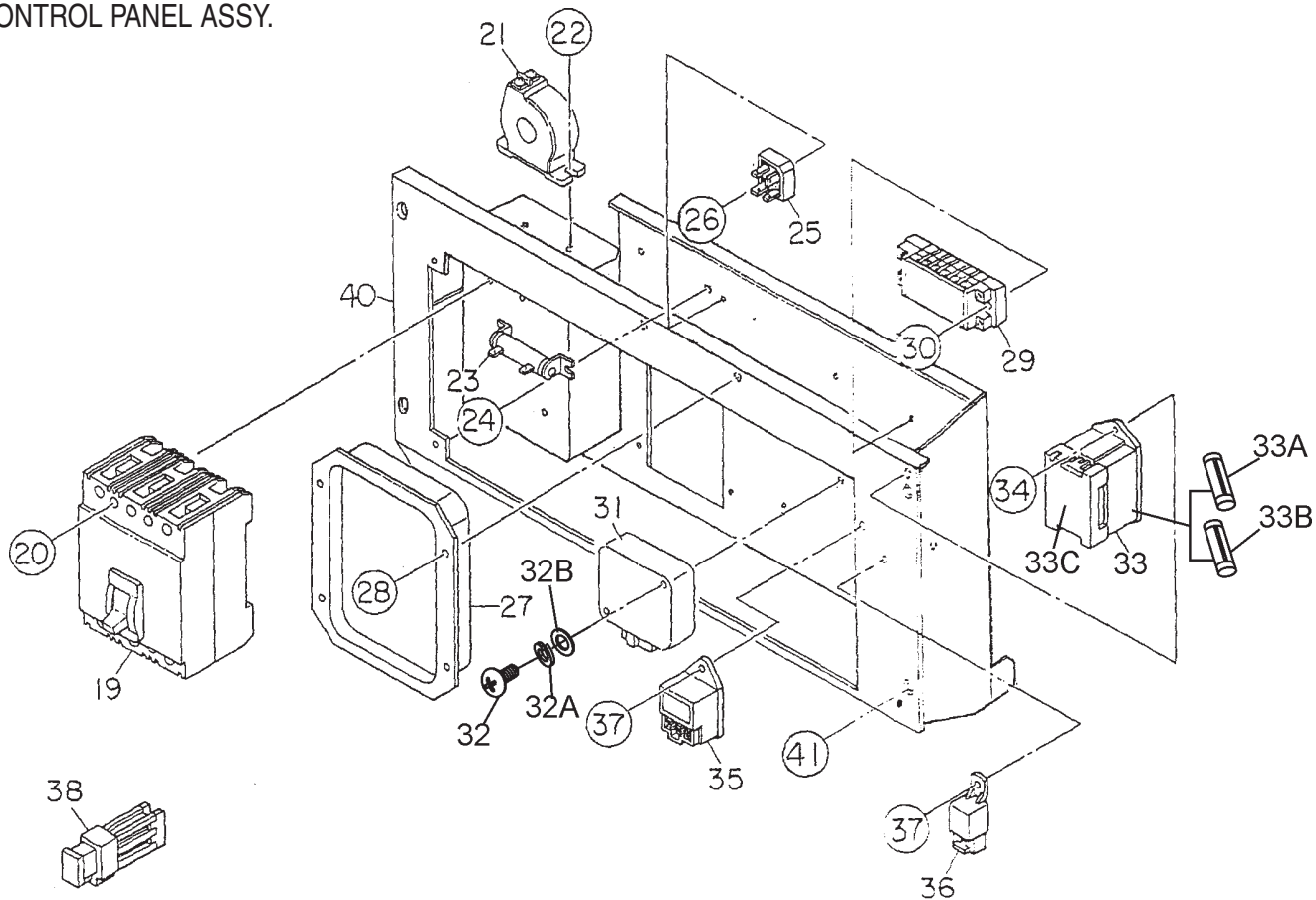
# DCA10SPX4/DCA10SPXU4 — CONTROL PANEL ASSY.

## CONTROL PANEL ASSY.

<u>NO.</u>	<u>PART NO.</u>	<u>PART NAME</u>	<u>QTY.</u>	<u>REMARKS</u>
1	B0224005103	CONTROL PANEL .....	1	DCA10SPX4
1	M0224000003	CONTROL PANEL .....	1	DCA10SPXU4
2	0601800455	FREQUENCY METER, 45~65 Hz	1	
3	0601805745	AC AMMETER, 0~75/5A	1	
4	0601800281	AC VOLTMETER, 0~150/300V	1	
5	0601840073	RHEOSTAT (VR), 2W 1K OHM	1	
6	0601840121	KNOB, RHEOSTAT	1	
7	0601808803	CIRCUIT BREAKER, 1P 20A	1	
8	0601808807	CIRCUIT BREAKER, 1P 30A	1	
9	0601808808	CIRCUIT BREAKER, 2P 30A	1	
10	0601808809	CIRCUIT BREAKER, 2P 45A	1	
11	B0262600804	BRACKET	1	
11-1	0222100115	RUBBER CUSHION	1	
12	0021806015	MACHINE SCREW	2	
13	1628663602	STARTER SWITCH.....	1	REPLACES P/N 3741059113
13A	3741055150	KEY, STARTER SWITCH		
14	0601810523	WARNING LAMP UNIT	1	
14A	0601810830	BULB	4	
15	0601800682	HOUR METER	1	
15A	0027403010	MACHINE SCREW	2	
15B	0207003000	HEX NUT	2	
16	0605010060	HINGE	2	
17	0027103008	MACHINE SCREW	8	
18	0021806030	MACHINE SCREW	2	
19	0601808817	CIRCUIT BREAKER, 45A	1	
20	0021005080	MACHINE SCREW	4	
21	0601801123	CURRENT TRANS., AMMETER, 150/5A	1	
22	0027105015	MACHINE SCREW	2	
23	0601842304	RESISTOR, GG20W50 OHM	1	
24	0027104010	MACHINE SCREW	2	
25	0601820038	RECTIFIER	1	
26	0027104020	MACHINE SCREW	1	
27	0601820663	AUTOMATIC VOLTAGE REGULATOR	1	
28	0027105015	MACHINE SCREW	4	
29	0601815759	TERMINAL BOARD	1	
30	0027104020	MACHINE SCREW	2	
31	1G38560601	ENGINE CONTROL UNIT .....	1	REPLACES P/N 0602202634
32	0021005050	MACHINE SCREW	2	
32A	0040005000	WASHER, LOCK	2	
32B	0041205000	WASHER, FLAT	2	
33	B0214600404	FUSE BOX	1	
33A	0601806642	FUSE, 5A	5	
33B	0601806645	FUSE, 10A	4	
33C	B0551002104	DECAL : FUSE BOX	1	
34	0027105015	MACHINE SCREW	2	
35	RP42153731	RELAY ASSY .....	1	REPLACES P/N 0602202635
36	6888153542	RELAY .....	1	REPLACES P/N 0602202566

# DCA10SPX4/DCA10SPXU4 — CONTROL PANEL ASSY.

CONTROL PANEL ASSY.



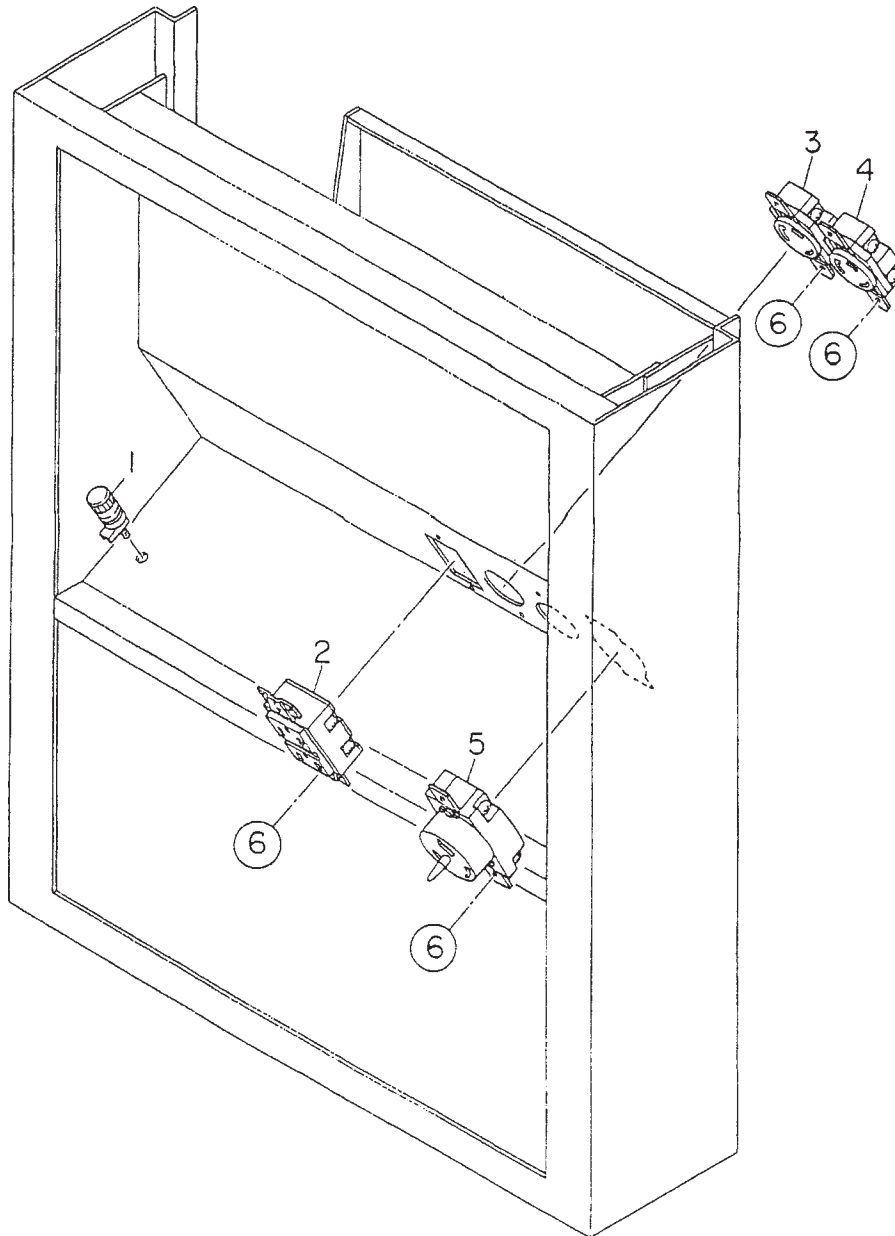
# DCA10SPX4/DCA10SPXU4 — CONTROL PANEL ASSY.

## CONTROL PANEL ASSY.

<u>NO.</u>	<u>PART NO.</u>	<u>PART NAME</u>	<u>QTY.</u>	<u>REMARKS</u>
37	0027105015	MACHINE SCREW	2	
38	0601806640	FUSE, 65A	1	
39	0601830771	SPEED CONTROL SWITCH	1	
40	B0214002903	CONTROL BOX .....	1 .....	DCA10SPX4
40	M0214000003	CONTROL BOX .....	1 .....	DCA10SPXU4
41	0017108020	HEX HEAD BOLT	4	

# DCA10SPX4/DCA10SPXU4 — OUTPUT RECEPTACLE ASSY.

OUTPUT RECEPTACLE ASSY.



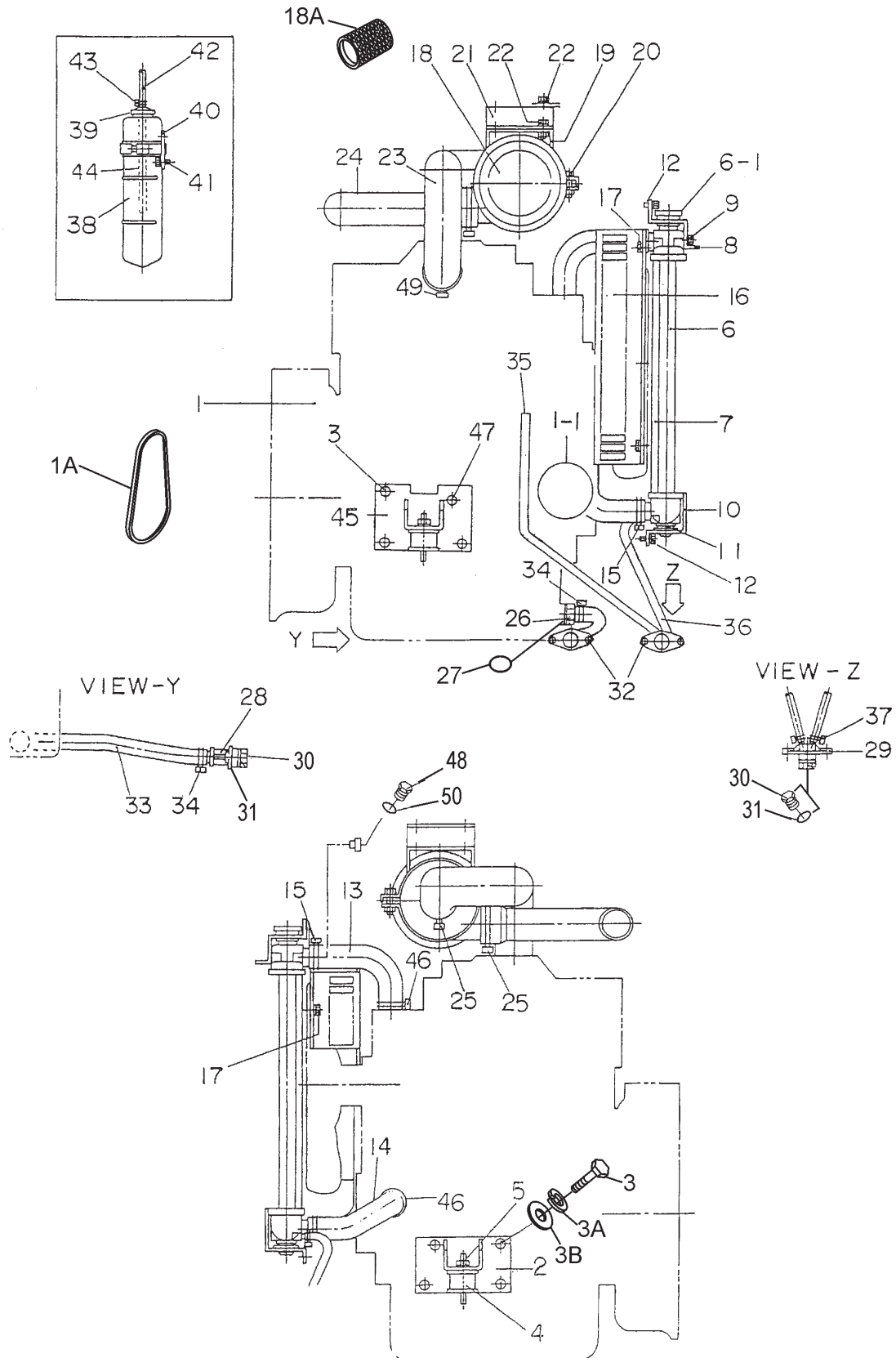
## DCA10SPX4/DCA10SPXU4 — OUTPUT RECEPTACLE ASSY.

OUTPUT RECEPTACLE ASSY.

<u>NO.</u>	<u>PART NO.</u>	<u>PART NAME</u>	<u>QTY.</u>	<u>REMARKS</u>
1	0601815109	GROUND TERMINAL	1	
2	0601812598	RECEPTACLE, 5-20R	1	
3	0601811035	RECEPTACLE, L5-30R	1	
4	0601811033	RECEPTACLE, L6-30R	1	
5	0601812565	RECEPTACLE, CS6369	1	
6	0027104012	MACHINE SCREW	8	
6A	0207004000	HEX NUT	8	

# DCA10SPX4/DCA10SPXU4 — ENGINE AND RADIATOR ASSY.

## ENGINE AND RADIATOR ASSY.



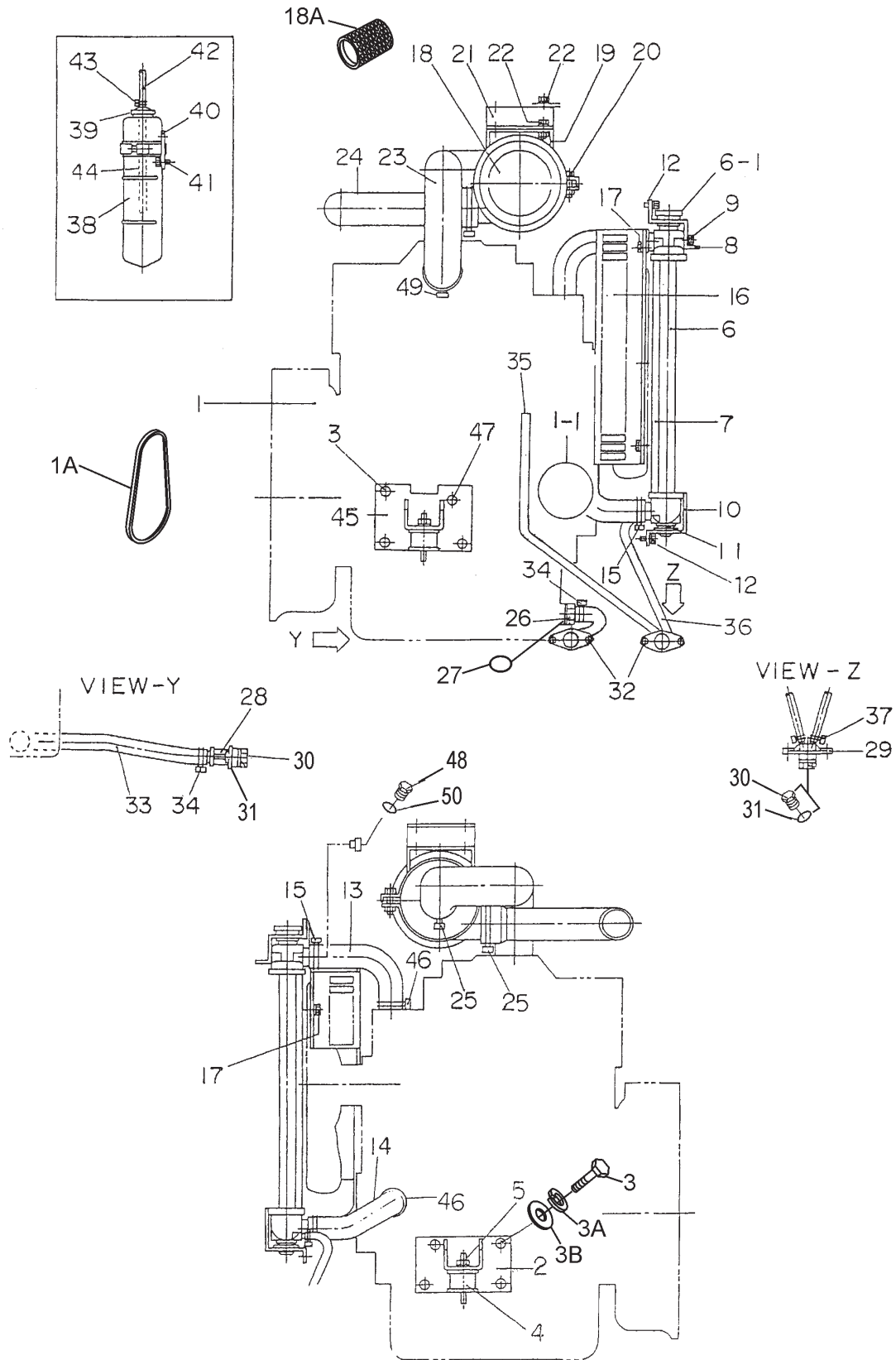
# DCA10SPX4/DCA10SPXU4 — ENGINE AND RADIATOR ASSY.

## ENGINE AND RADIATOR ASSY.

<u>NO.</u>	<u>PART NO.</u>	<u>PART NAME</u>	<u>QTY.</u>	<u>REMARKS</u>
1	B0924200174	ENGINE, KUBOTA D1503		
1A	1638297011	FAN BELT, .....	1	REPLACES P/N 0602015260
1-1	1641432433	CARTRIDGE, OIL FILTER, .....	1	REPLACES P/N 0602041279
2	B0304200403	ENGINE FOOT	1	
3	0011712025	HEX HEAD BOLT	7	
3A	0040012000	WASHER, LOCK	7	
3B	0041212000	WASHER, FLAT	7	
4	7605419004	RUBBER SUSPENSION	2	
5	0207010000	HEX NUT	2	
6	0602012733	RADIATOR	1	
6-1	0602011079	CAP, RADIATOR	1	
7	0220300400	RUBBER SEAL	2	
8	B1311100204	BRACKET, RADIATOR	1	
9	0016908020	HEX HEAD BOLT	2	
10	B0311100603	BRACKET, RADIATOR	1	
11	B1312600004	MOUNT RUBBER	2	
12	0017108020	HEX HEAD BOLT	5	
13	B0311500803	RADIATOR HOSE, UPPER	1	
14	B0311500903	RADIATOR HOSE, LOWER	1	
15	0605515135	HOSE BAND	2	
16	B0311200403	FAN GUARD	1	
17	0017108020	HEX HEAD BOLT	3	
18	0602046268	AIR CLEANER	1	
18A	0602046335	ELEMENT, AIR CLEANER	1	
19	8722031503	BAND, AIR CLEANER	1	
20	0017108030	HEX HEAD BOLT	1	
21	B1374200204	BRACKET, AIR CLEANER	1	
22	0016908020	HEX HEAD BOLT	4	
23	B1374100503	HOSE, AIR CLEANER	1	
24	B0374100304	HOSE, AIR CLEANER	1	
25	0605515001	HOSE BAND	2	
26	1502025004	DRAIN JOINT	1	
27	0602021193	PACKING	1	
28	1502025103	DRAIN JOINT	1	
29	1622014103	DRAIN JOINT	1	
30	0802011104	PLUG	2	
31	0150000018	O-RING	2	
32	0016906020	HEX HEAD BOLT	4	
33	B0321100304	DRAIN HOSE	1	
34	0605515064	HOSE BAND	2	
35	0199900500	DRAIN HOSE	1	
36	0199900350	DRAIN HOSE	1	
36	0199900350	DRAIN HOSE	1	
37	0605515094	HOSE BAND	4	
38	0802081403	RESERVE TANK	1	

# DCA10SPX4/DCA10SPXU4 — ENGINE AND RADIATOR ASSY.

ENGINE AND RADIATOR ASSY.





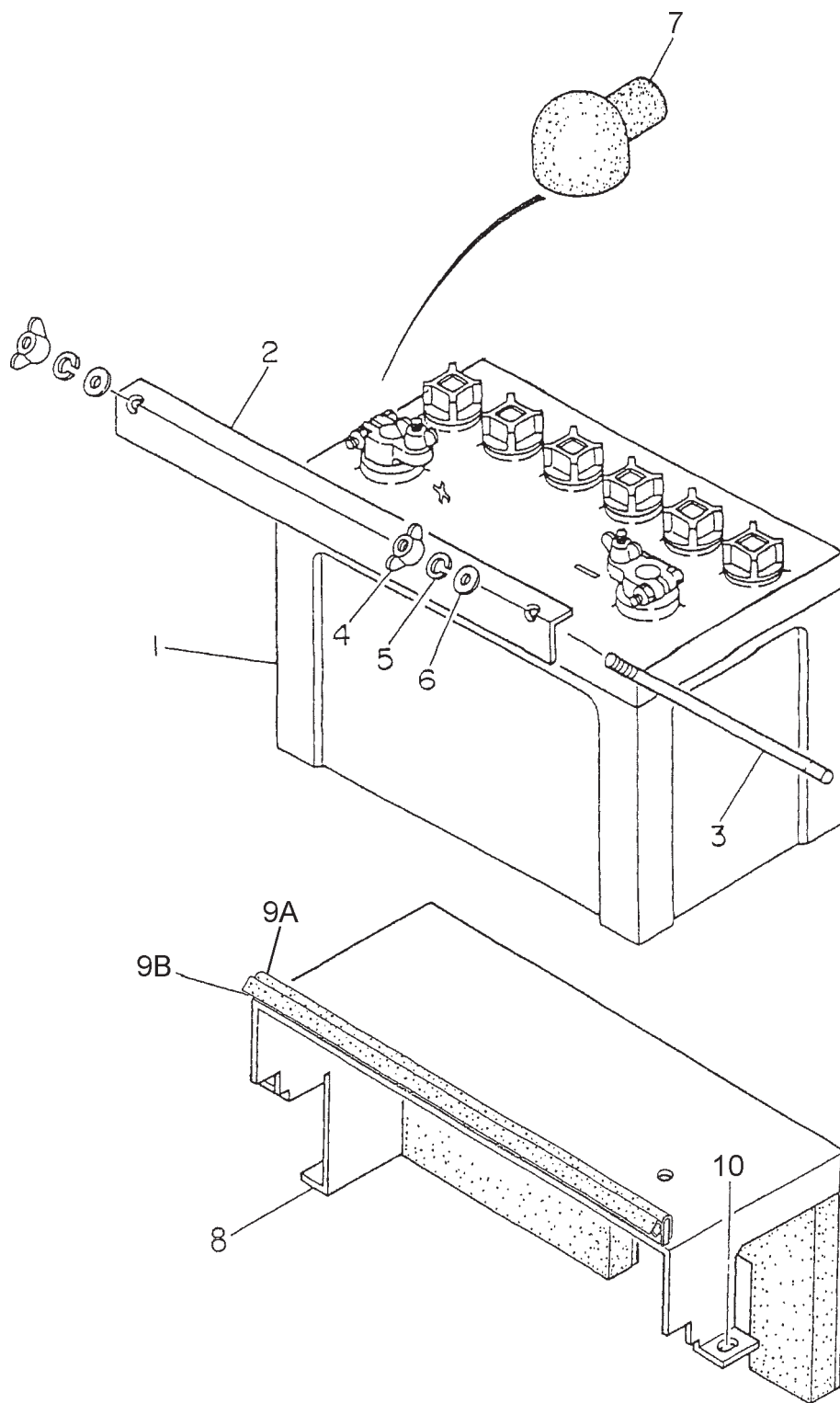
## DCA10SPX4/DCA10SPXU4 — ENGINE AND RADIATOR ASSY.

### ENGINE AND RADIATOR ASSY.

<u>NO.</u>	<u>PART NO.</u>	<u>PART NAME</u>	<u>QTY.</u>	<u>REMARKS</u>
39	0802081104	CAP, RESERVE TANK	1	
40	8702082004	BRACKET, RESERVE TANK	1	
41	0016906015	HEX HEAD BOLT	3	
42	0199900450	HOSE	1	
43	0605515094	HOSE BAND	2	
44	0199100215	HOSE	1	
45	B0304200504	ENGINE FOOT	1	
46	0605515136	HOSE BAND	2	
47	0012410025	HEX HEAD BOLT	1	
48	M9200106904	PLUG	1	
49	0605515117	HOSE BAND	1	
50	0150000016	O-RING	1	

# DCA10SPX4 — BATTERY ASSY.

BATTERY ASSY. (DCA10SPX4 ONLY)



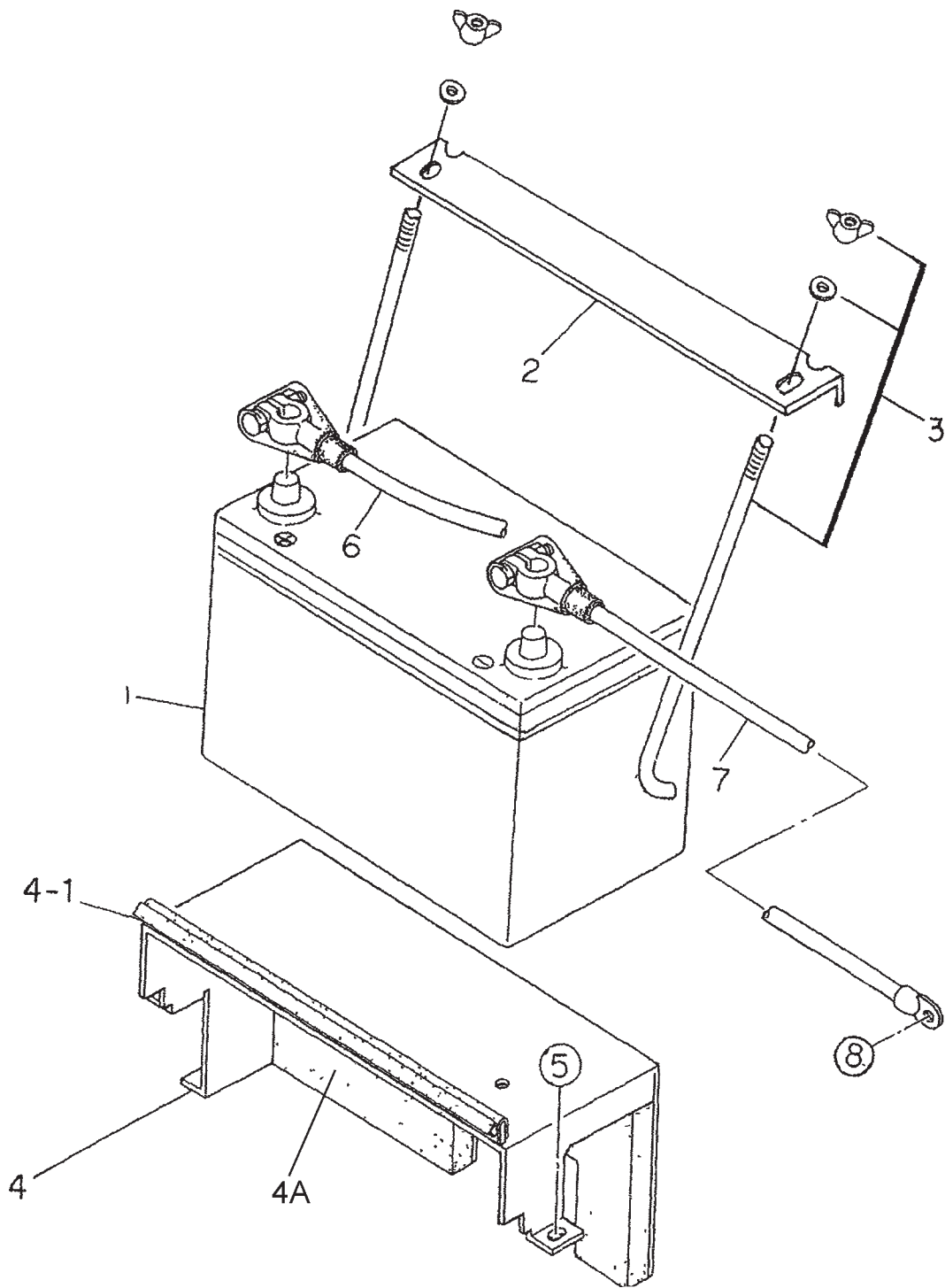
## DCA10SPX4 — BATTERY ASSY.

BATTERY ASSY. (DCA10SPX4 ONLY)

<u>NO.</u>	<u>PART NO.</u>	<u>PART NAME</u>	<u>QTY.</u>	<u>REMARKS</u>
1	0165308026	BATTERY	1	
2	B1345200114	BATTERY BAND	1	
3	0805002904	BATTERY BOLT	2	
4	0037808000	WING NUT	2	
5	0040008000	WASHER, LOCK	2	
6	0041208000	WASHER, FLAT	2	
7	0845040414	TERMINAL CAP	1	
8	B1344200203	BATTERY FRAME	1	
8-1	B0491700004	LINING	1	
9A	0314200350	RUBBER SEAL	1	
9	0017108020	HEX HEAD BOLT	3	

# DCA10SPXU4 — BATTERY ASSY.

BATTERY ASSY. (DCA10SPXU4 ONLY)



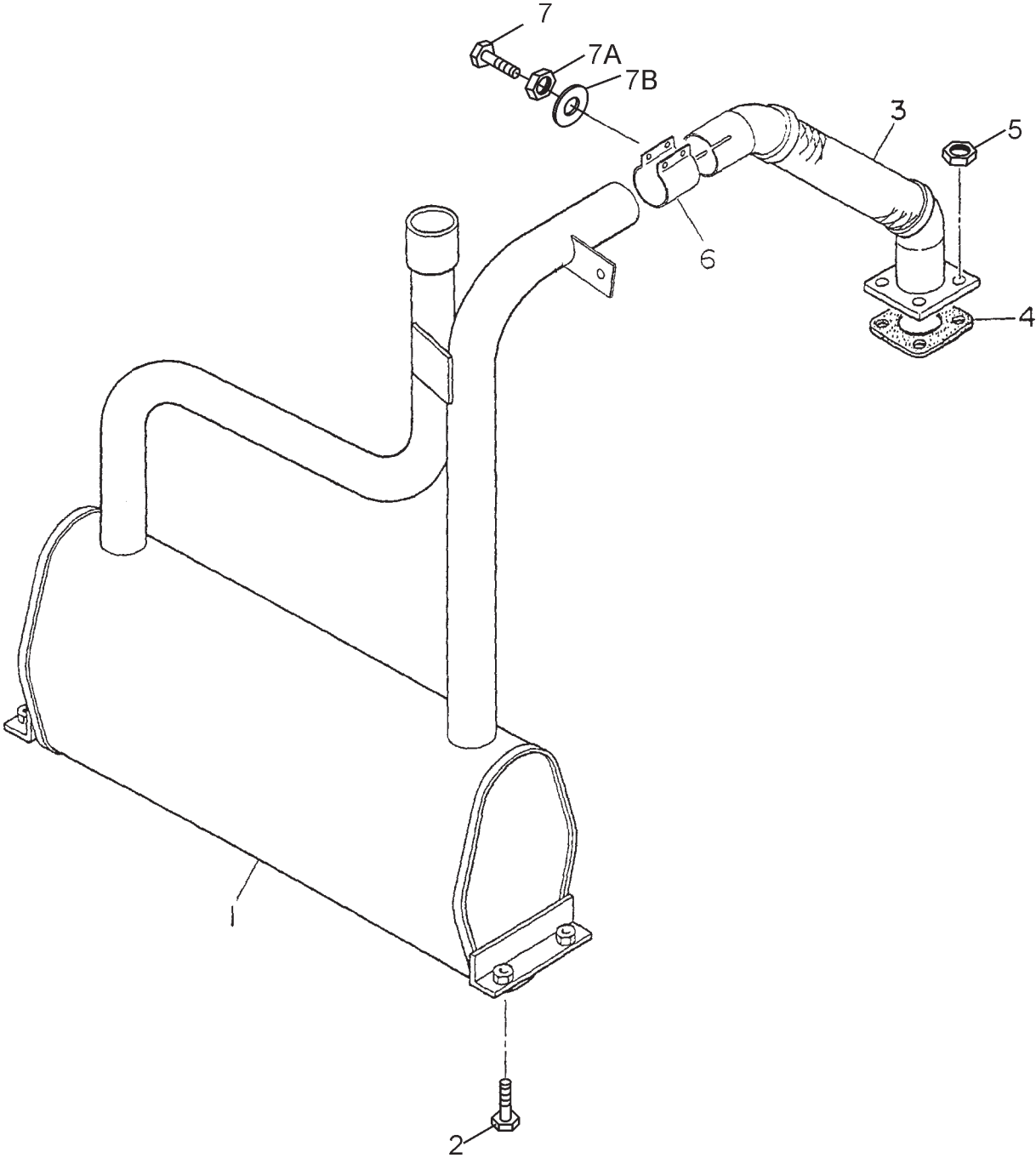
## DCA10SPXU4 — BATTERY ASSY.

BATTERY ASSY. (DCA10SPXU4 ONLY)

<u>NO.</u>	<u>PART NO.</u>	<u>PART NAME</u>	<u>QTY.</u>	<u>REMARKS</u>
1	Y0602220193	BATTERY	1	
2	M0484600004	BATTERY BAND	1	
3	Y0602220920	BATTERY BOLT	2	
4	M0344000003	BATTERY BASE	1	
4A	M049000204	ACOUSTIC SHEET	1	
4-1	Y0314200350	RUBBER SEAL	1	
5	Y0017108020	HEX HEAD BOLT	3	
6	M0348200004	BATTERY CABLE	1	
7	M0347200004	BATTERY CABLE	1	
8	Y0012412025	HEX HEAD BOLT	1	
9	Y0040512000	TOOTHED WASHER	1	

DCA10SPX4/DCA10SPXU4 — MUFFLER ASSY.

MUFFLER ASSY.



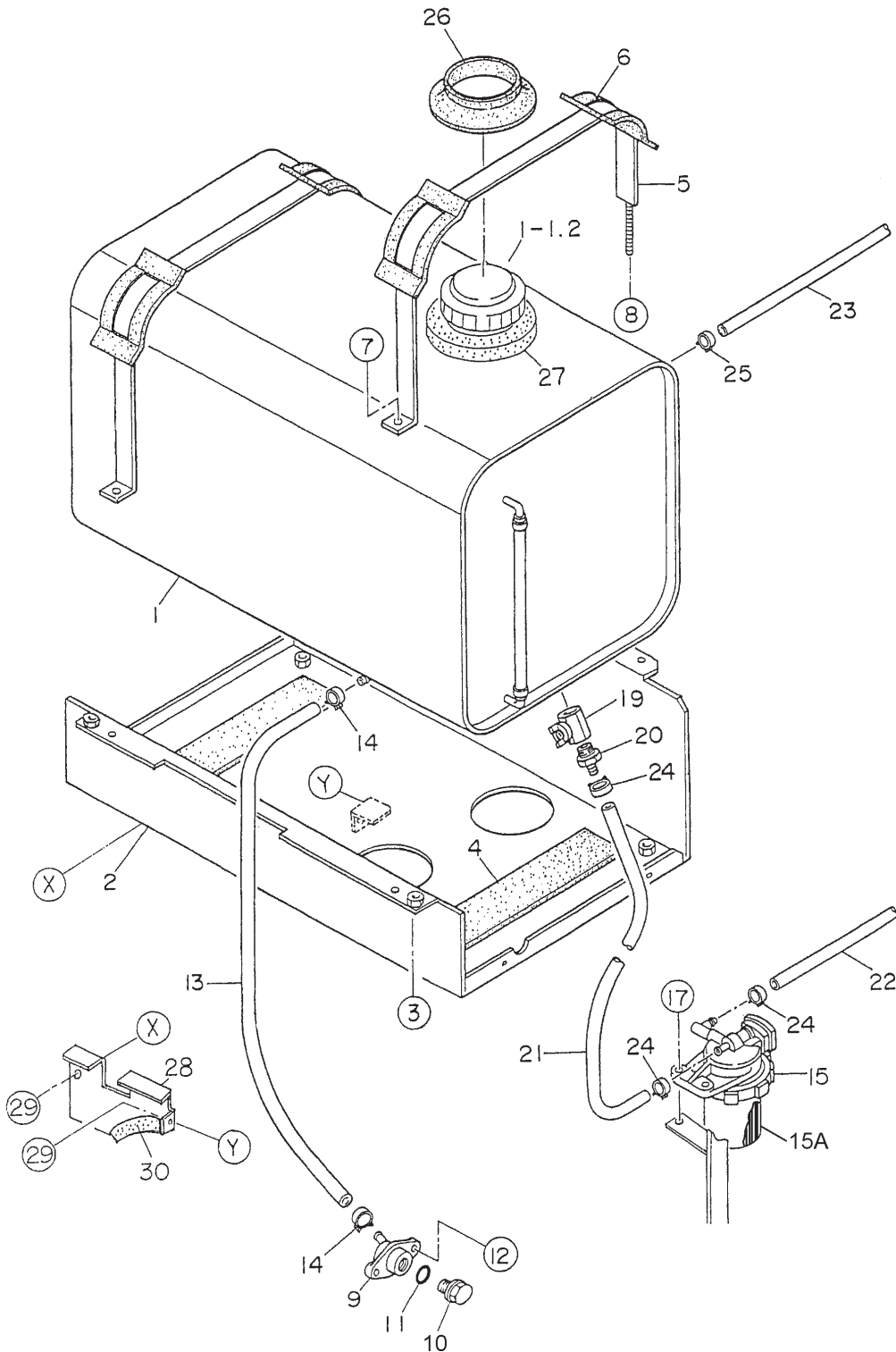
# DCA10SPX4/DCA10SPXU4 — MUFFLER ASSY.

MUFFLER ASSY.

<u>NO.</u>	<u>PART NO.</u>	<u>PART NAME</u>	<u>QTY.</u>	<u>REMARKS</u>
1	B0331100703	MUFFLER	1	
2	0017108020	HEX HEAD BOLT	4	
3	B0334000503	EXHAUST PIPE	1	
4	1526312371	GASKET .....	1	REPLACES P/N 0602320153
5	0207008000	HEX NUT	4	
6	0602325094	PIPE BAND	1	
7	0341510040	HEX HEAD BOLT	2	
7A	0042410000	WASHER, FLAT	2	
7B	0207110000	NUT	2	

# DCA10SPX4/DCA10SPXU4 — FUEL TANK ASSY.

FUEL TANK ASSY.





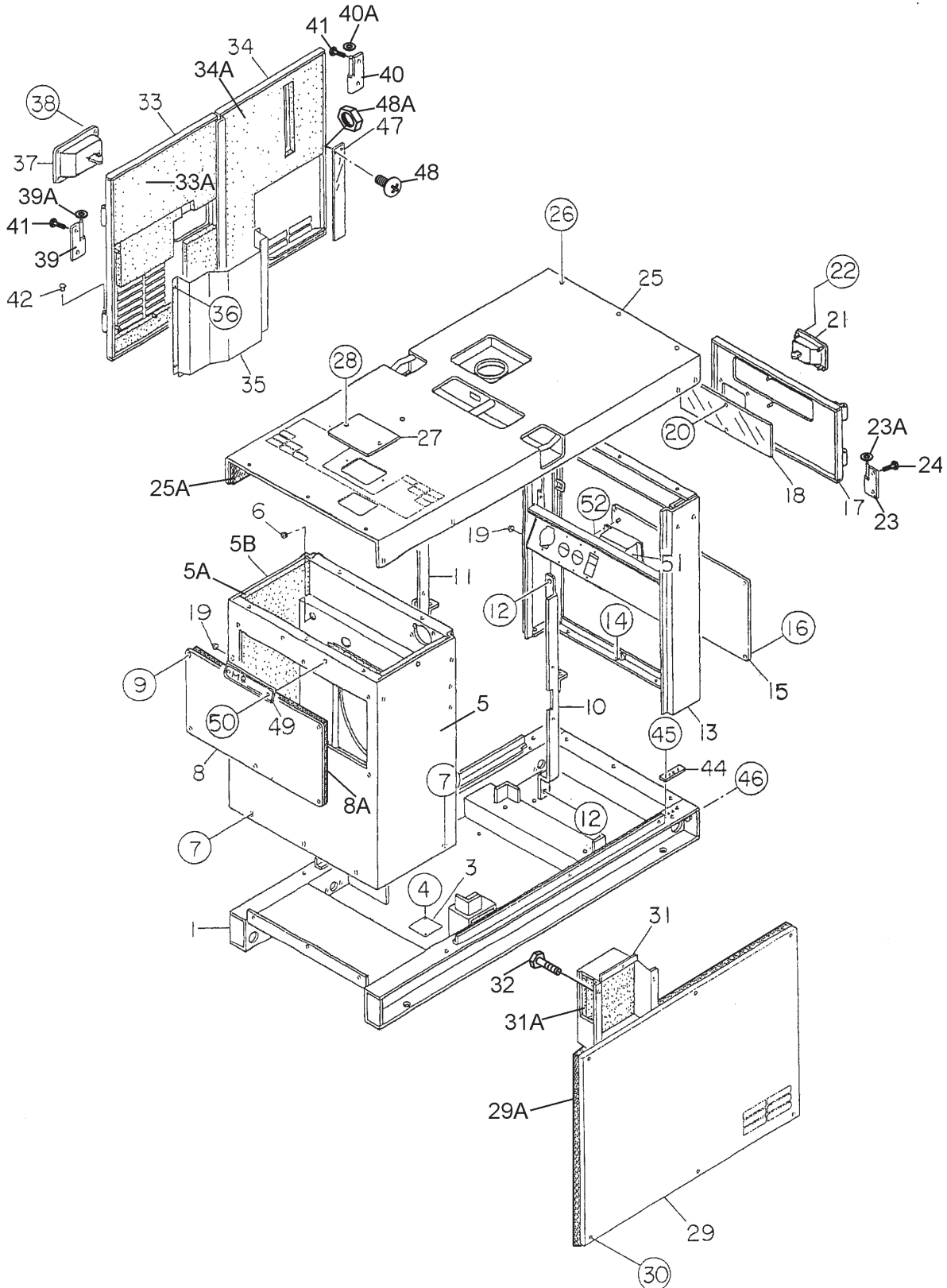
# DCA10SPX4/DCA10SPXU4 — FUEL TANK ASSY.

## FUEL TANK ASSY.

<u>NO.</u>	<u>PART NO.</u>	<u>PART NAME</u>	<u>QTY.</u>	<u>REMARKS</u>
1	B0364000703	FUEL TANK	1	
1-1	0810105800	CAP, FUEL TANK	1	
1-2	0810105900	FUEL FILTER	1	
2	B0364300403	BRACKET, FUEL TANK	1	
3	0017108020	HEX HEAD BOLT	4	
4	0222100300	TANK SHEET	2	
5	8435523024	TANK BAND	2	
6	6365300504	PAD, TANK BAND	4	
7	0017108020	HEX HEAD BOLT	2	
8	0037908000	HEX NUT	2	
9	7812014003	DRAIN JOINT	1	
10	0802011104	PLUG	1	
11	0150000018	O-RING	1	
12	0016906015	HEX HEAD BOLT	2	
13	0199901200	DRAIN HOSE	1	
14	0605515094	HOSE BAND	2	
15	1522143016	FUEL FILTER.....	1	REPLACES P/N 0602042462
15A	1522143172	ELEMENT, FUEL FILTER .....	1	REPLACES P/N 0602042551
17	0017108035	HEX HEAD BOLT	2	
19	0603325013	VALVE, 3/8	1	
20	0602022219	HOSE JOINT	1	
21	0199900200	SUCTION HOSE	1	
22	0199900260	SUCTION HOSE	1	
23	0199700250	RETURN HOSE	1	
24	0605515094	HOSE BAND	4	
25	0605515096	HOSE BAND	2	
26	B9312400004	RUBBER SEAL	1	
27	B9311400104	RUBBER SEAL	1	
28	B0484300004	BRACKET	1	
29	0017106015	HEX HEAD BOLT	2	
30	0220300160	RUBBER SEAL	1	

# DCA10SPX4/DCA10SPXU4 — ENCLOSURE ASSY.

ENCLOSURE ASSY.



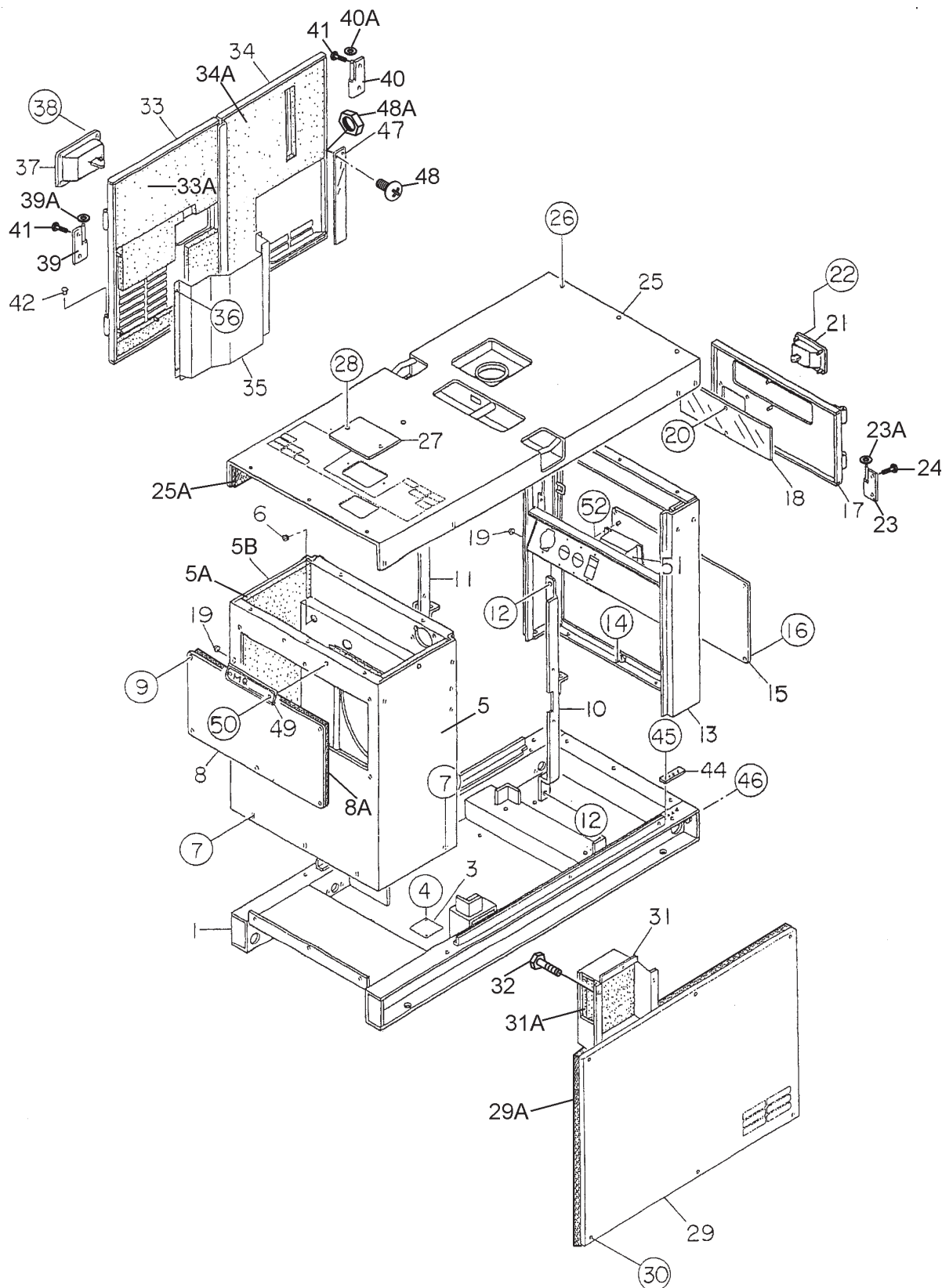
# DCA10SPX4/DCA10SPXU4 — ENCLOSURE ASSY.

## ENCLOSURE ASSY.

<u>NO.</u>	<u>PART NO.</u>	<u>PART NAME</u>	<u>QTY.</u>	<u>REMARKS</u>
1	B0414002202	BASE .....	1	DCA10SPX4
1	M0414000102	BASE .....	1	DCA10SPXU4
3	D3414800104	COVER	1	
3	M0414800004	COVER	1	
4	0016906015	HEX HEAD BOLT	2	
5	B0424001302	FRONT FRAME .....	1	DCA10SPX4
5	M0424000102	FRONT FRAME .....	1	DCA10SPXU4
5A	B0494100904	ACOUSTIC SHEET .....	1	DCA10SPX4
5A	M0494100504	ACOUSTIC SHEET .....	1	DCA10SPXU4
5B	0315900475	RUBBER SEAL	2	
6	0601850239	GROMMET	1	
7	0016908020	HEX HEAD BOLT	5	
8	8435125004	COVER, FRONT FRAME .....	1	DCA10SPX4
8	M0485400004	COVER, FRONT FRAME .....	1	DCA10SPXU4
8A	B0495100804	ACOUSTIC SHEET .....	1	DCA10SPX4
8A	M0495100104	ACOUSTIC SHEET .....	1	DCA10SPXU4
9	0016908020	HEX HEAD BOLT	6	
10	B0434300203	HANGER .....	1	DCA10SPX4
10	M0434300203	HANGER .....	1	DCA10SPXU4
11	B0434300703	HANGER .....	1	DCA10SPX4
11	B0434300303	HANGER .....	1	DCA10SPXU4
12	0012312030	HEX HEAD BOLT	4	
13	B0444003902	REAR FRAME .....	1	DCA10SPX4
13	M0444000102	REAR FRAME .....	1	DCA10SPXU4
14	0016908020	HEX HEAD BOLT	5	
15	B1454400404	COVER, REAR FRAME .....	1	DCA10SPX4
15	M0444300004	COVER, REAR FRAME .....	1	DCA10SPXU4
16	0016908020	HEX HEAD BOLT	6	
17	B0444200603	DOOR, REAR FRAME .....	1	DCA10SPX4
17	M0444200003	DOOR, REAR FRAME .....	1	DCA10SPXU4
18	B0445600304	WINDOW PLATE	1	
19	0601851613	STOPPER	2	
20	0207006000	HEX NUT	2	
21	0605010230	DOOR HANDLE	1	
22	0021805012	HEX NUT	4	
23	0805019004	HINGE	2	
23A	D9116000004	WASHER	2	
24	0016906016	HEX HEAD BOLT	4	

# DCA10SPX4/DCA10SPXU4 — ENCLOSURE ASSY.

ENCLOSURE ASSY.



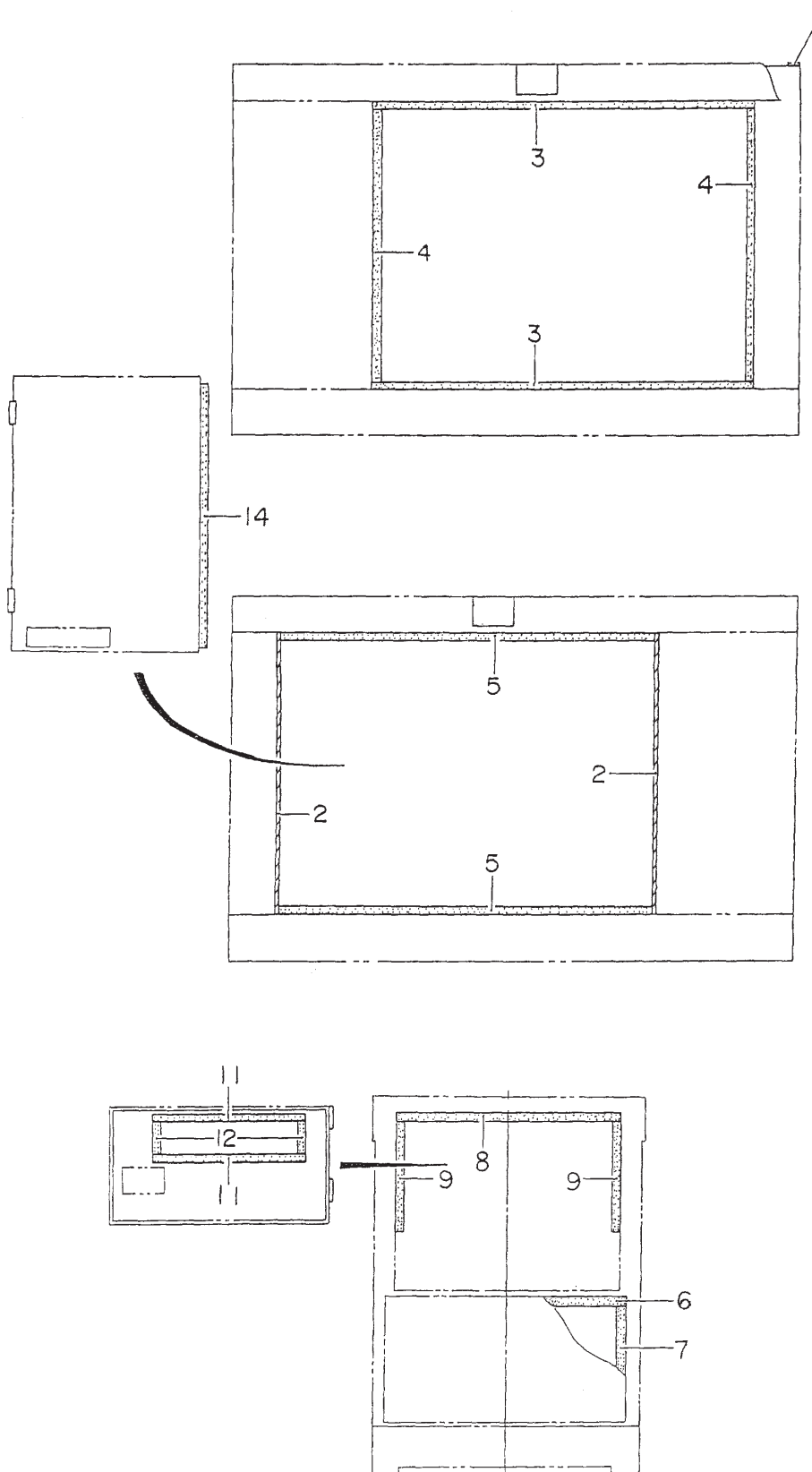
# DCA10SPX4/DCA10SPXU4 — ENCLOSURE ASSY.

## ENCLOSURE ASSY.

<u>NO.</u>	<u>PART NO.</u>	<u>PART NAME</u>	<u>QTY.</u>	<u>REMARKS</u>
25	B0464001002	ROOF PANEL .....	1	DCA10SPX4
25	M0464000102	ROOF PANEL .....	1	DCA10SPXU4
25A	B0494500104	ACOUSTIC SHEET .....	1	DCA10SPX4
25A	M0494500604	ACOUSTIC SHEET .....	1	DCA10SPXU4
26	0016908020	HEX HEAD BOLT	16	
27	8452023004	COVER .....	1	DCA10SPX4
27	M1465400104	COVER .....	1	DCA10SPXU4
28	0016908020	HEX HEAD BOLT	2	
29	B0454100503	SIDE PANEL .....	1	DCA10SPX4
29	M0454100103	SIDE PANEL .....	1	DCA10SPXU4
29A	B0494400414	LINING	1	
30	0016908035	HEX HEAD BOLT	6	
31	B0455300424	DUCT	1	
31A	B0495401014	LINING	1	
32	0207006000	HEX NUT	6	
33	B0454000903	SIDE DOOR.....	1	DCA10SPX4
33	M0454000203	SIDE DOOR.....	1	DCA10SPXU4
33A	B0494400504	ACOUSTIC SHEET .....	1	DCA10SPX4
33A	M0494401204	ACOUSTIC SHEET .....	1	DCA10SPXU4
34	B0454000803	SIDE DOOR.....	1	DCA10SPX4
34	M0454000303	SIDE DOOR.....	1	DCA10SPXU4
34A	B0494400604	ACOUSTIC SHEET .....	1	DCA10SPX4
34A	M0494401704	ACOUSTIC SHEET .....	1	DCA10SPXU4
35	B0454300404	DUCT	1	
36	0207006000	HEX NUT	5	
37	B9114000002	DOOR HANDLE	1	
38	0021806015	MACHINE SCREW	4	
39	0845047204	HINGE	2	
39A	0845045004	WASHER	2	
40	0845047104	HINGE	2	
40A	0845045004	WASHER	2	
41	0016908020	HEX HEAD BOLT	8	
42	0845031504	CAP	4	
44	B1262800004	PLATE	1	
45	0016906015	HEX HEAD BOLT	4	
46	0019208020	HEX HEAD BOLT	1	
47	B0444600104	WINDOW PLATE	1	
48	0027103010	MACHINE SCREW	4	
48A	0207003000	HEX NUT	4	
49	0600500090	EMBLEM	1	
50	0021106015	MACHINE SCREW	2	
51	B1454301004	DUCT	1	
52	0207006000	HEX NUT	4	

# DCA10SPX4/DCA10SPXU4 — RUBBER SEALS ASSY.

RUBBER SEALS ASSY.



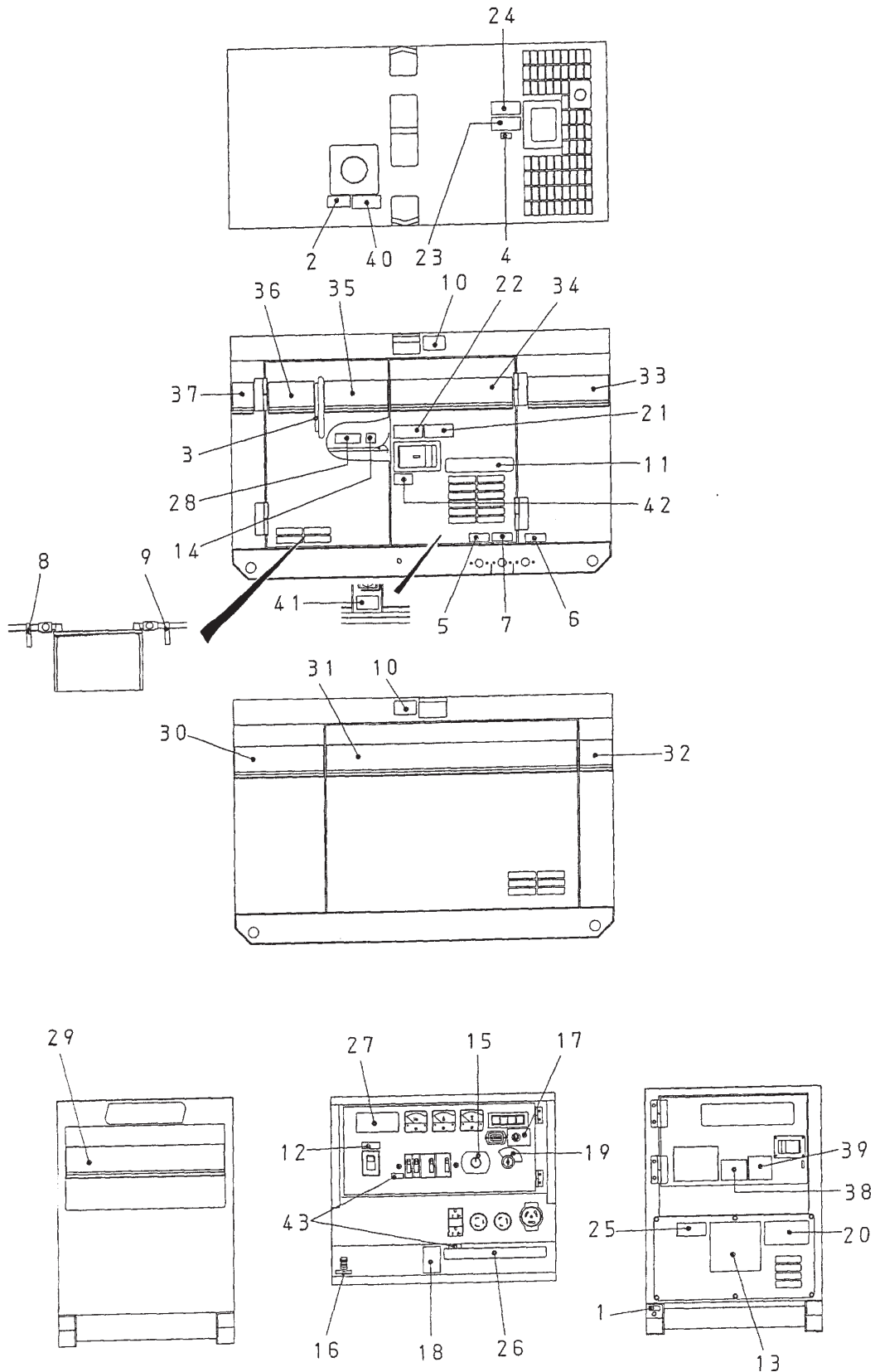
## DCA10SPX4/DCA10SPXU4 — RUBBER SEALS ASSY.

### RUBBER SEALS ASSY.

<u>NO.</u>	<u>PART NO.</u>	<u>PART NAME</u>	<u>QTY.</u>	<u>REMARKS</u>
1	0229200650	RUBBER SEAL	1	
2	0229400695	RUBBER SEAL	2	
3	0221700900	RUBBER SEAL	2	
4	0221700640	RUBBER SEAL	2	
5	0229400920	RUBBER SEAL	2	
6	0229200590	RUBBER SEAL	2	
7	0229200255	RUBBER SEAL	2	
8	0229400545	RUBBER SEAL	1	
9	0229400250	RUBBER SEAL	2	
11	0227500380	RUBBER SEAL	2	
12	0227500080	RUBBER SEAL	2	
14	0229400660	RUBBER SEAL	1	

# DCA10SPX4/DCA10SPXU4 — NAMEPLATE ASSY.

NAMEPLATE ASSY.





# DCA10SPX4/DCA10SPXU4 — NAMEPLATE ASSY.

## NAMEPLATE ASSY.

<u>NO.</u>	<u>PART NO.</u>	<u>PART NAME</u>	<u>QTY.</u>	<u>REMARKS</u>
1	0840614104	DECAL : GROUND .....	1	S-2635
2	B9504501204	DECAL : DIESEL FUEL .....	1	B9045 0120
3	0800650804	DECAL : FUEL GAUGE .....	1	S-1765
4	6360610304	DECAL : WATER .....	1	S-1880
5	6360620004	DECAL : FUEL DRAIN PLUG .....	1	S-1883
6	6360620104	DECAL : WATER DRAIN PLUG .....	1	S-1884
7	6360620204	DECAL : OIL DRAIN PLUG .....	1	S-1885
8	0800689404	DECAL : + .....	1	S-2090
9	0800689504	DECAL : - .....	1	S-2091
10	1320621504	DECAL : SUPPORT HOOK .....	2	S-2257
11	1320610603	DECAL : WATER - OIL CHECK AND FILL DAILY .....	1	S-1760
12	0840624504	DECAL : CIRCUIT BREAKER .....	1	S-3031
13	0840625902	DECAL : MQ POWER .....	1	S-3057
14	1980680004	DECAL : FUEL COCK .....	1	S-3704
15	7670623004	DECAL : VOLTAGE REGULATOR .....	1	S-3737
16	7670624004	DECAL : GROUND FOR G.F.C.I. ....	1	S-3821
17	B0551001904	DECAL : SPEED CONTROL SWITCH .....	1	B05100190
18	7670650004	DECAL : DANGER HIGH VOLTAGE .....	1	S-3956
19	7560615004	DECAL : STARTER SWITCH .....	1	S-4547
20	B0551001803	DECAL : OPERATING PROCEDURE .....	1	B05100180
21	B9504000304	DECAL : CAUTION HOT PARTS .....	1	B90400030
22	B9504000404	DECAL : WARNING MOVING PARTS .....	1	B90400040
23	B9504100104	DECAL : WARNING HOT COOLANT .....	1	B90410010
24	B9504200004	DECAL : WARNING ENGINE EXHAUST .....	1	B90420000
25	B951110304	DECAL : WARNING .....	1	B91110030
26	B9521007403	DECAL : AC POWER OUTPUT .....	1	B92100740
27	B9531100604	DECAL : WARNING ELECTRIC SHOCK HAZARD .....	1	B93110060
28	0820650604	DECAL : POISON / DANGER	1	
29	7670633003	STRIPE : WHISPERWATT .....	1	S-5273
30	B0562100004	STRIPE : MQ POWER	1	
31	B0561100004	STRIPE	1	
32	B0561100104	STRIPE	1	
33	B0561100604	STRIPE	1	
34	B0561100504	STRIPE	1	
35	B0561100404	STRIPE	1	
36	B0561100304	STRIPE	1	
37	B0561100204	STRIPE	1	
38	A9504000014	DECAL : DANGER .....	1	A90400001
39	B9531100004	DECAL : GROUND .....	1	B93110000
40	B9504500004	DECAL : WARNING FIRE .....	1	B90450000
41	B9505000304	DECAL : CAUTION .....	1	B90500030
42	1630610504	DECAL : CAUTION DOOR .....	1	S-1409
43	D9522001004	DECAL : GFCI .....	2	D92200100

# PARTS MANUAL

## HERE'S HOW TO GET HELP

PLEASE HAVE THE MODEL AND SERIAL  
NUMBER ON-HAND WHEN CALLING

### UNITED STATES

#### *Multiquip Inc.*

(310) 537- 3700  
6141 Katella Avenue Suite 200  
Cypress, CA 90630  
E-MAIL: [mq@multiquip.com](mailto:mq@multiquip.com)  
WEBSITE: [www.multiquip.com](http://www.multiquip.com)

### CANADA

#### *Multiquip*

(450) 625-2244  
4110 Industriel Boul.  
Laval, Quebec, Canada H7L 6V3  
E-MAIL: [infocanada@multiquip.com](mailto:infocanada@multiquip.com)

### UNITED KINGDOM

#### *Multiquip (UK) Limited Head Office*

0161 339 2223  
Unit 2, Northpoint Industrial Estate,  
Globe Lane,  
Dukinfield, Cheshire SK16 4UJ  
E-MAIL: [sales@multiquip.co.uk](mailto:sales@multiquip.co.uk)

© COPYRIGHT 2020, MULTIQUIP INC.

Multiquip Inc, the MQ logo and the MQ Power logo are registered trademarks of Multiquip Inc. and may not be used, reproduced, or altered without written permission. All other trademarks are the property of their respective owners and used with permission.

This manual MUST accompany the equipment at all times. This manual is considered a permanent part of the equipment and should remain with the unit if resold.

The information and specifications included in this publication were in effect at the time of approval for printing. Illustrations, descriptions, references and technical data contained in this manual are for guidance only and may not be considered as binding. Multiquip Inc. reserves the right to discontinue or change specifications, design or the information published in this publication at any time without notice and without incurring any obligations.

Manufactured for  
Multiquip Inc.  
by  
DENYO MANUFACTURING CORP.

