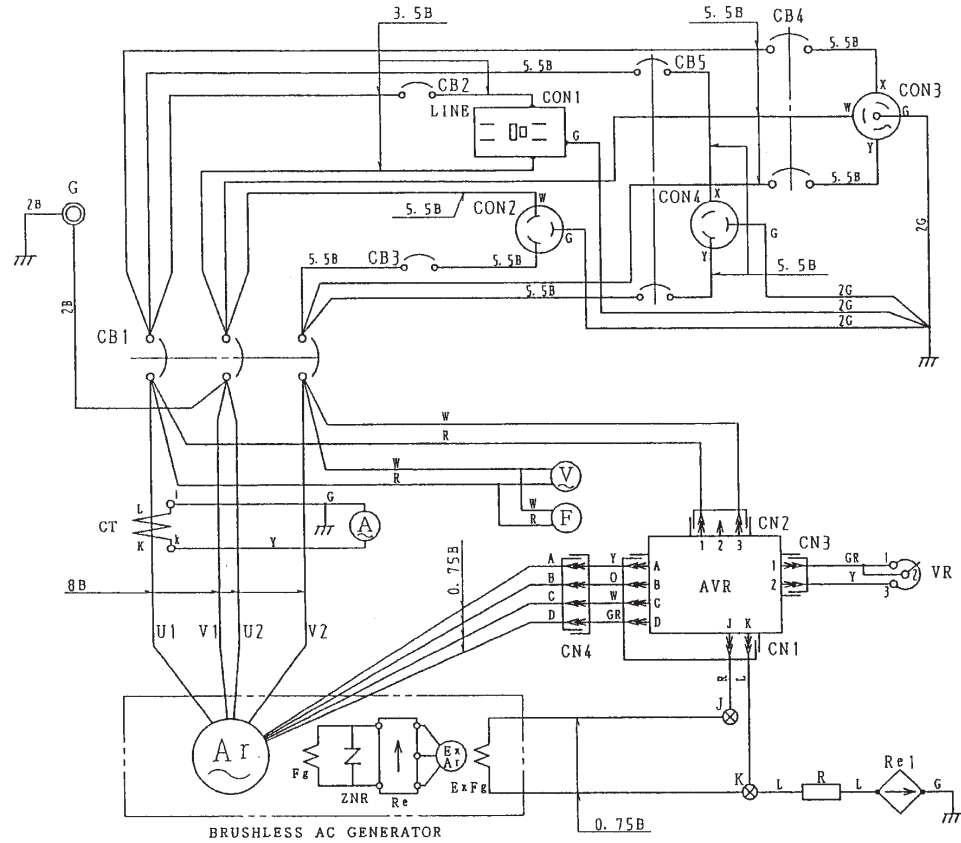


DCA10SPX4/DCA10SPXU4 — GENERATOR WIRING DIAGRAM



Notice :
1. No designation lead size : 1.25



COLOR CODE			
WIRE COLOR	WIRE COLOR	WIRE COLOR	
B	BLACK	R	RED
L	BLUE	W	WHITE
BR	BROWN	Y	YELLOW
G	GREEN	LB	LIGHT BLUE
GR	GRAY	LG	LIGHT GREEN
V	VIOLET	O	ORANGE
P	PINK		

CONNECTOR ARRANGEMENT (WIRING VIEW)

SYMBOL	DESIGNATION
V	AC.VOLTMETER
A	AC.AMMETER
F	FREQUENCY METER
CT	CURRENT TRANSFORMER, AMMETER
AVR	AUTOMATIC VOLTAGE REGULATOR
VR	VOLTAGE REGULATOR
CB1	CIRCUIT BREAKER 3P 45A
CB2	CIRCUIT BREAKER 20A
CB3	CIRCUIT BREAKER 30A
CB4	CIRCUIT BREAKER 45A
CB5	CIRCUIT BREAKER 30A
R	RESISTOR
Re1	RECTIFIER
CON1	RECEPTACLE 20A
CON2	RECEPTACLE 30A
CON3	RECEPTACLE 50A
CON4	RECEPTACLE 30A
J, K	COMBINATION TERMINAL
G	GROUND TERMINAL

Figure 34. Generator Wiring Diagram

DCA10SPX4/DCA10SPXU4 — ENGINE WIRING DIAGRAM

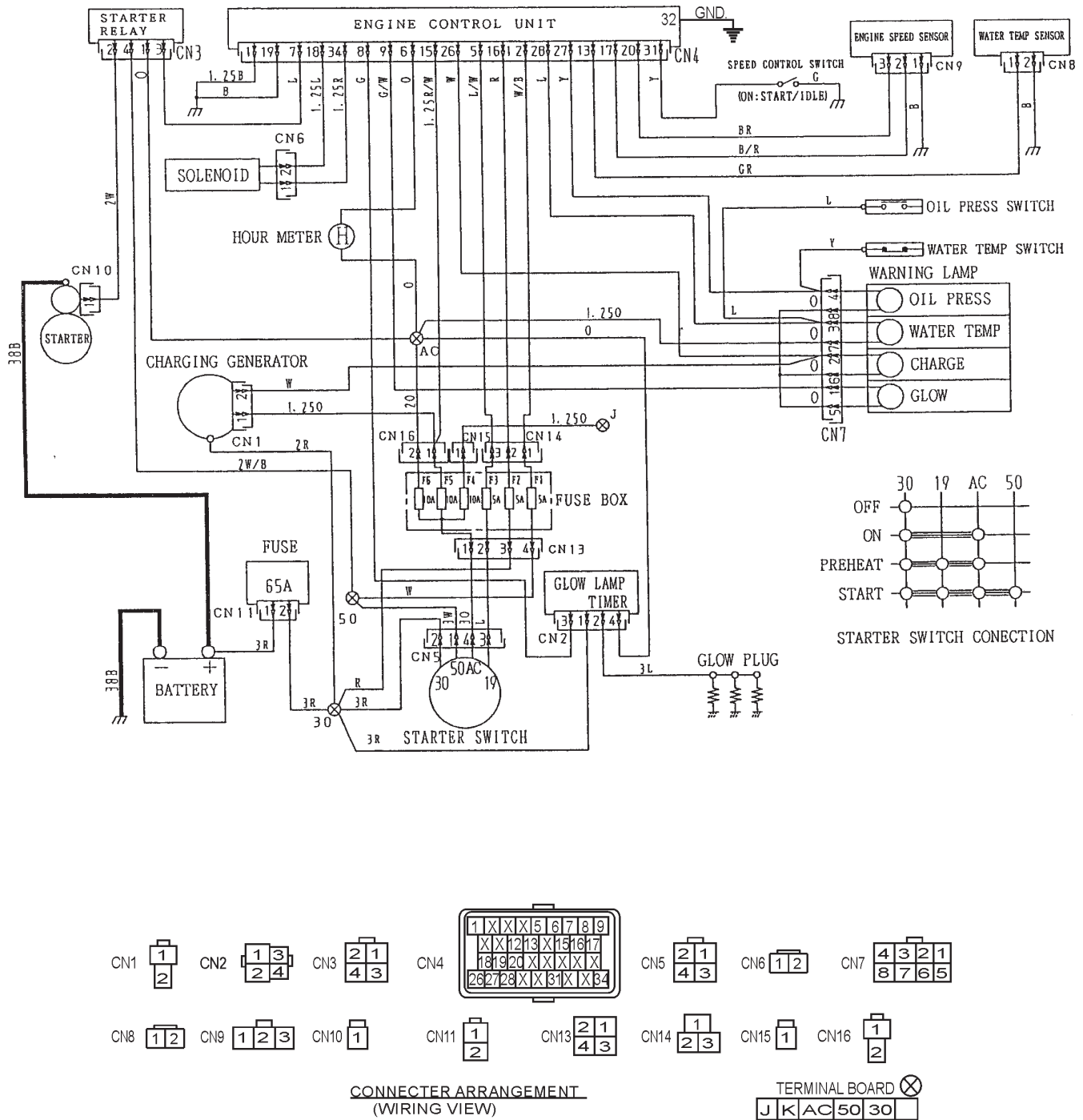


Figure 35. Engine Wiring Diagram