

PARTS MANUAL



WHISPERWATT™ SERIES MODEL DCA10SPXU4 60Hz GENERATOR (KUBOTA D1503-M DIESEL ENGINE)

**PARTS LIST NO. M0871300114E
(S/N 8710231 And Above)**

Revision #0 (08/18/20)

To find the latest revision of this publication or associated operation manual, visit our website at: www.multiquip.com



THIS MANUAL MUST ACCOMPANY THE EQUIPMENT AT ALL TIMES.

DCA10SPXU4 60 Hz Generator

Table Of Contents.....	2
Explanation Of Code In Remarks Column.....	4
Suggested Spare Parts	5
Generator Assembly	6-7
Control Panel Assembly	8-11
Output Receptacle Assembly.....	12-13
Engine And Radiator Assembly.....	14-17
Battery Assembly.....	18-19
Muffler Assembly	20-21
Fuel Tank Assembly.....	22-23
Enclosure Assembly	24-27
Rubber Seals Assembly	28-29
Nameplate And Decals Assembly	30-31

NOTICE

Part numbers are subject to change without notice.

EXPLANATION OF CODE IN REMARKS COLUMN

The following section explains the different symbols and remarks used in the Parts section of this manual. Use the help numbers found on the back page of the manual if there are any questions.

NOTICE

The contents and part numbers listed in the parts section are subject to change **without notice**. Multiquip does not guarantee the availability of the parts listed.

SAMPLE PARTS LIST

NO.	PART NO.	PART NAME	QTY.	REMARKS
1	12345	BOLT	1	INCLUDES ITEMS W/%
2%		WASHER, 1/4 IN.		NOT SOLD SEPARATELY
2%	12347	WASHER, 3/8 IN. ...	1	MQ-45T ONLY
3	12348	HOSE	A/R	MAKE LOCALLY
4	12349	BEARING	1	S/N 2345B AND ABOVE

NO. Column

Unique Symbols — All items with same unique symbol (@, #, +, %, or >) in the number column belong to the same assembly or kit, which is indicated by a note in the “Remarks” column.

Duplicate Item Numbers — Duplicate numbers indicate multiple part numbers, which are in effect for the same general item, such as different size saw blade guards in use or a part that has been updated on newer versions of the same machine.

NOTICE

When ordering a part that has more than one item number listed, check the remarks column for help in determining the proper part to order.

PART NO. Column

Numbers Used — Part numbers can be indicated by a number, a blank entry, or TBD.

TBD (To Be Determined) is generally used to show a part that has not been assigned a formal part number at the time of publication.

A blank entry generally indicates that the item is not sold separately or is not sold by Multiquip. Other entries will be clarified in the “Remarks” Column.

QTY. Column

Numbers Used — Item quantity can be indicated by a number, a blank entry, or A/R.

A/R (As Required) is generally used for hoses or other parts that are sold in bulk and cut to length.

A blank entry generally indicates that the item is not sold separately. Other entries will be clarified in the “Remarks” Column.

REMARKS Column

Some of the most common notes found in the “Remarks” Column are listed below. Other additional notes needed to describe the item can also be shown.

Assembly/Kit — All items on the parts list with the same unique symbol will be included when this item is purchased.

Indicated by:

“INCLUDES ITEMS W/(unique symbol)”

Serial Number Break — Used to list an effective serial number range where a particular part is used.

Indicated by:

“S/N XXXXX AND BELOW”

“S/N XXXX AND ABOVE”

“S/N XXXX TO S/N XXX”

Specific Model Number Use — Indicates that the part is used only with the specific model number or model number variant listed. It can also be used to show a part is NOT used on a specific model or model number variant.

Indicated by:

“XXXXX ONLY”

“NOT USED ON XXXX”

“Make/Obtain Locally” — Indicates that the part can be purchased at any hardware shop or made out of available items. Examples include battery cables, shims, and certain washers and nuts.

“Not Sold Separately” — Indicates that an item cannot be purchased as a separate item and is either part of an assembly/kit that can be purchased, or is not available for sale through Multiquip.

SUGGESTED SPARE PARTS

DCA10SPXU4 WHISPERWATT GENERATOR WITH KUBOTA D1503-M DIESEL ENGINE

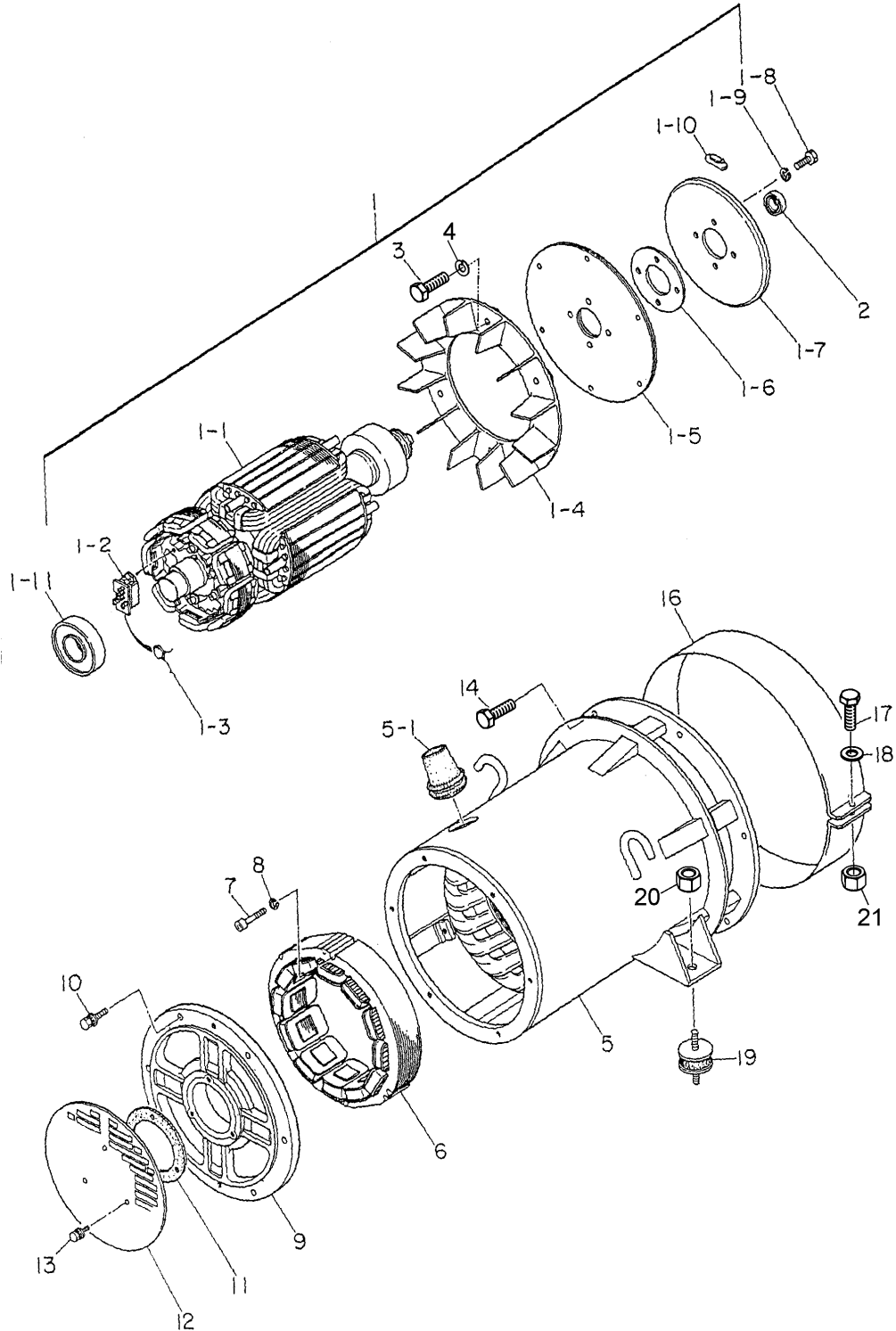
1 to 3 units

Qty.	P/N	Description
5.....	HH16432430	FILTER, OIL
5.....	1522143170.....	ELEMENT, FUEL FILTER
3.....	0602046335.....	ELEMENT, AIR FILTER
1.....	1G38297010.....	BELT, FAN
1.....	W0810105000	CAP, FUEL TANK
5.....	0601806642.....	FUSE, 5A
4.....	0601806645.....	FUSE, 10A
1.....	0601806640.....	FUSE, 65A
1.....	0601820663.....	AUTOMATIC VOLT. REG.
1.....	0601840073.....	RHEOSTAT
1.....	0601840100.....	KNOB, RHEOSTAT
1.....	0601808803.....	CIRCT. BREAKER 1P@20A
1.....	Y0601870454	CIRCT. BREAKER 1P@30A S/N 8710418 AND BELOW
1.....	Y0601870456	CIRCT. BREAKER 1P@30A S/N 8710419 AND ABOVE
1.....	0601808808.....	CIRCT. BREAKER 2P@30A
1.....	0601808809.....	CIRCT. BREAKER 2P@45A

NOTICE

Part numbers on this Suggested Spare Parts list may supersede/replace the part numbers shown in the following parts lists.

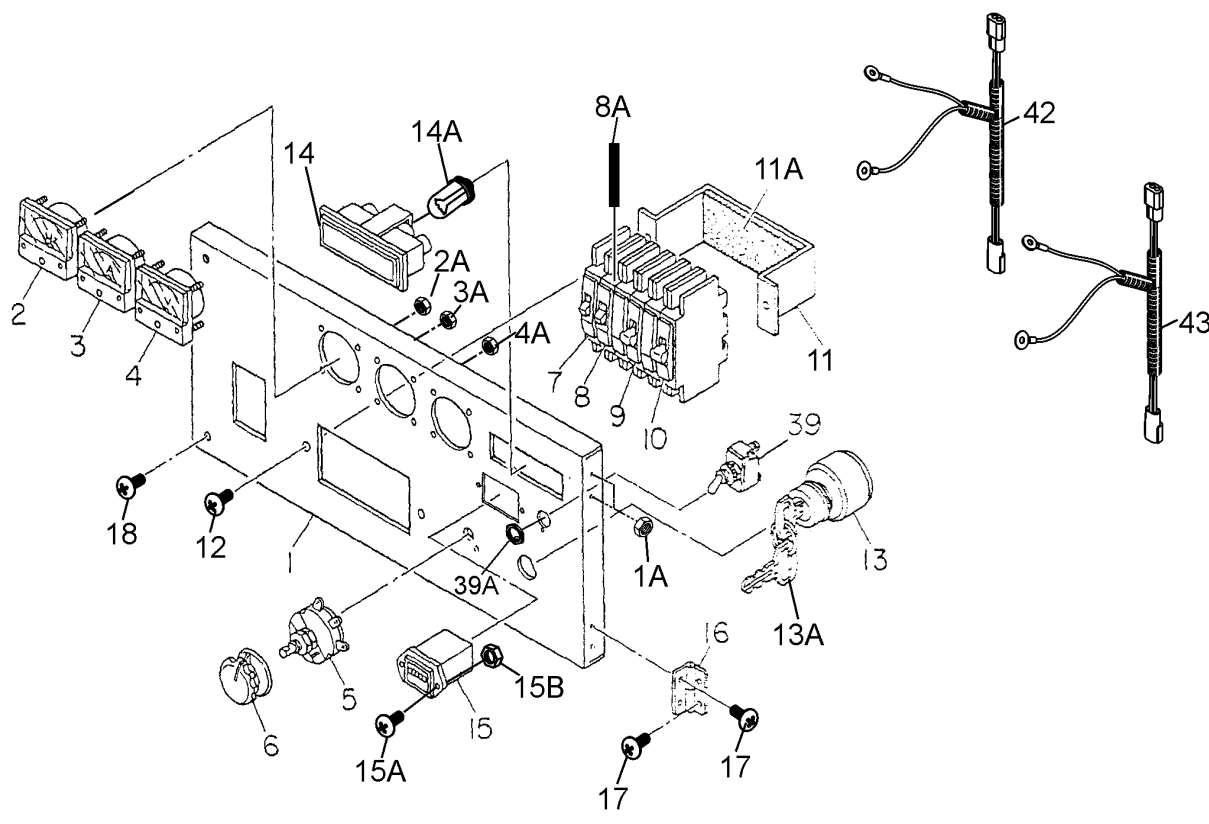
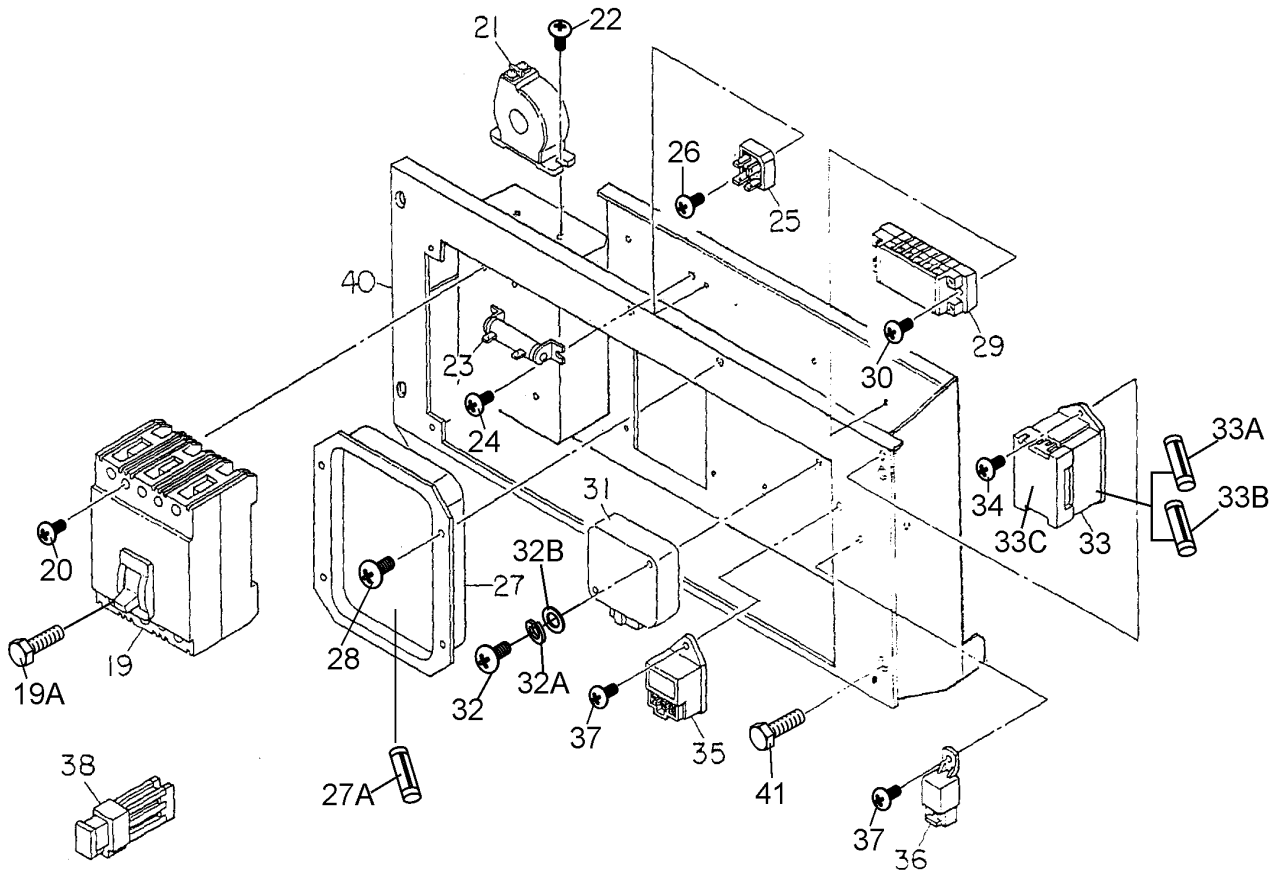
GENERATOR ASSY.



GENERATOR ASSY.

<u>NO.</u>	<u>PART NO.</u>	<u>PART NAME</u>	<u>QTY.</u>	<u>REMARKS</u>
1	8321000102	ROTOR ASSY.	1.....	INCLUDES ITEMS W/#
1-1#		FIELD ASSY.	1	
1-2#	0601821374	RECTIFIER	1	
1-3#	0601822630	SURGE ABSORBER	1	
1-4#	8001070003	FAN	1	
1-5#	8351611004	COUPLING DISK	2	
1-6#	8351612004	WASHER, COUPLING HUB	1	
1-7#	8351615003	BALANCING PLATE	1.....	PURCHASE IT. 1-10 AS A SET
1-8#	0105091025	HEX. HEAD BOLT	4.....	REPLACES P/N 0010310025
1-9#	0042610000	WASHER, LOCK	4	
1-10#	0601000209	BALANCING WEIGHT KIT	1	
1-11#	042006308	BEARING.....	1.....	REPLACES P/N 0071906308
2	0070506903	BEARING	1	
3	0012108035	HEX. HEAD BOLT	6	
4	0040008000	WASHER, LOCK	6	
5	B0130101003	STATOR ASSY.	1	
5-1	0845041904	GROMMET	1	
6	8351350103A	FIELD ASSY. EXCITER	1.....	REPLACES P/N 8431350003
7	0016008045	HEX. SOCKET HEAD CAP SCREW	3	
8	0042508000	WASHER, LOCK	3	
9	8351315003	END BRACKET	1	
10	0017108035	HEX. HEAD BOLT	6	
11	8351312004	PACKING	1	
12	8351331004	COVER, SUCTION	1	
13	0017106016	HEX. HEAD BOLT	3	
14	012010030	HEX. HEAD BOLT	6.....	REPLACES P/N 0012810030
16	B0155400204	COVER, FAN	1	
17	0340406040	HEX. HEAD BOLT	1	
18	952404470	WASHER, FLAT	1.....	REPLACES P/N 0041206000
19	0805083204	RUBBER SUSPENSION	2.....	REPLACES P/N M9312600004
20	021112140	HEX. NUT	2.....	REPLACES P/N 0207010000
21	0601815000	NUT	1	

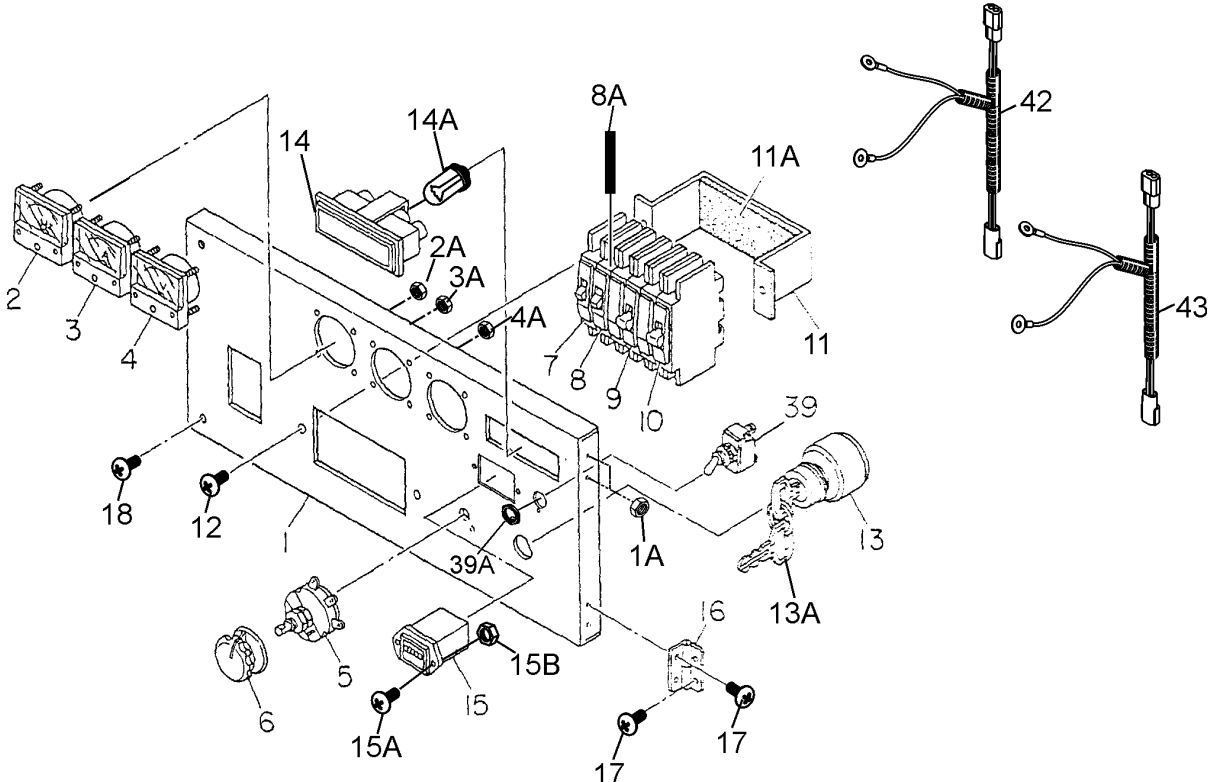
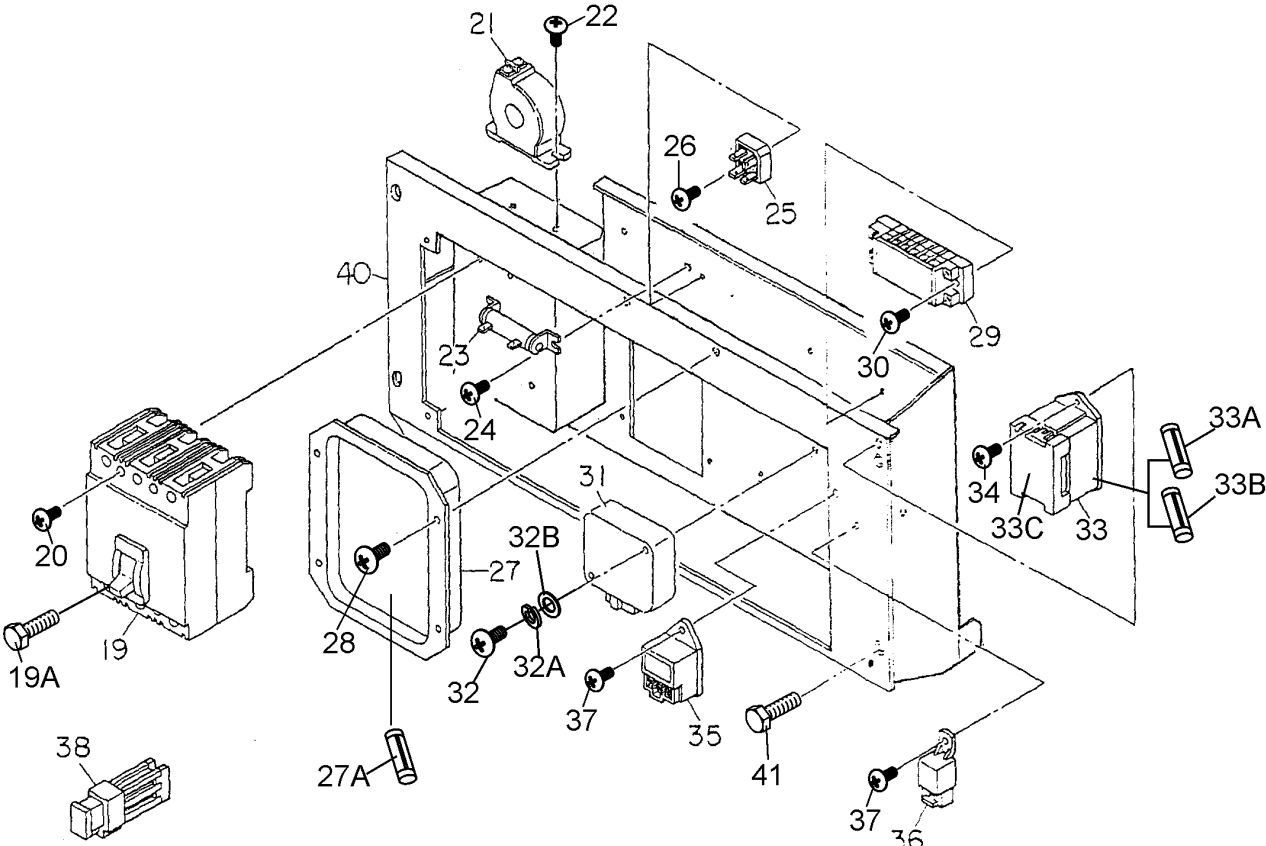
CONTROL PANEL ASSY.



CONTROL PANEL ASSY.

NO.	PART NO.	PART NAME	QTY.	REMARKS
1	M0224000023	CONTROL PANEL	1.....	S/N 8710435 AND BELOW
1	M0224000033	CONTROL PANEL	1.....	S/N 8710436 AND ABOVE
1A	0207003000	HEX NUT	4.....	S/N 8710436 AND ABOVE
2	0601800455	FREQUENCY METER, 240V 45~65HZ	1	
2A	0207003000	HEX. NUT	3	
3	0601805745	AC AMMETER, 0~75/5A	1	
3A	0207003000	HEX. NUT	3	
4	0601800281	AC VOLTMETER, 0~150/300V	1	
4A	0207003000	HEX. NUT	3	
5	0601840073	RHEOSTAT, VOLTAGE REG., 2W 1K OHM	1	
6	0601840100	KNOB, RHEOSTAT	1.....	REPLACES P/N 0601840121
7	0601808803	CIRCUIT BREAKER, 1P 20A	1	
8	Y0601870454	CIRCUIT BREAKER, 1P 30A	1.....	S/N 8710418 AND BELOW
8	Y0601870456	CIRCUIT BREAKER, 1P 30A	1.....	S/N 8710419 AND ABOVE
8A	Y0222900050	RUBBER SEAL	1	
9	0601808808	CIRCUIT BREAKER, 2P 30A	1	
10	0601808809	CIRCUIT BREAKER, 2P 45A	1	
11	M0261600004	BRACKET FITTING COVER	1	
11A	0222100120	RUBBER CUSHION	1	
12	0021806015	MACHINE SCREW	2	
13	1628663602	STARTER SWITCH ASSY.....	1.....	REPLACES P/N 3741059113
13A	3741055150	KEY	1	
14	0601810523	WARNING LAMP UNIT	1	
14A	0601810830	BULB	4	
15	0601800682	HOUR METER, DC10~32V	1	
15A	0021003010	MACHINE SCREW	2	
15B	0207003000	HEX NUT	2	
16	0605010060	HINGE	2	
17	0027103010	MACHINE SCREW	8.....	REPLACES P/N 0021103010
18	0021506030	MACHINE SCREW	2.....	REPLACES P/N 0021806030
19	Y0601808830	CIRCUIT BREAKER, 3P 45A	1	
19A	Y0013202100	HEX. HEAD BOLT	6	
20	0021004070	MACHINE SCREW	2	
21	0601801123	CRNT. TRANSFORMER, AMMETER, 150/5A	1	
22	0027105015	MACHINE SCREW	2	
23	0601842384	RESISTOR, 20W 50 OHM	1	
24	0027104015	MACHINE SCREW	2	
25	0601820038	RECTIFIER	1	
26	0027104020	MACHINE SCREW	1	
27	0601820663	AUTOMATIC VOLTAGE REGULATOR	1	
27A	0601806642	FUSE, 250V 5A.....	1.....	REPLACES P/N 0601806682
28	0027105015	MACHINE SCREW	4	
29	0601815759	TERMINAL BOARD	1	
30	0027104020	MACHINE SCREW	2	

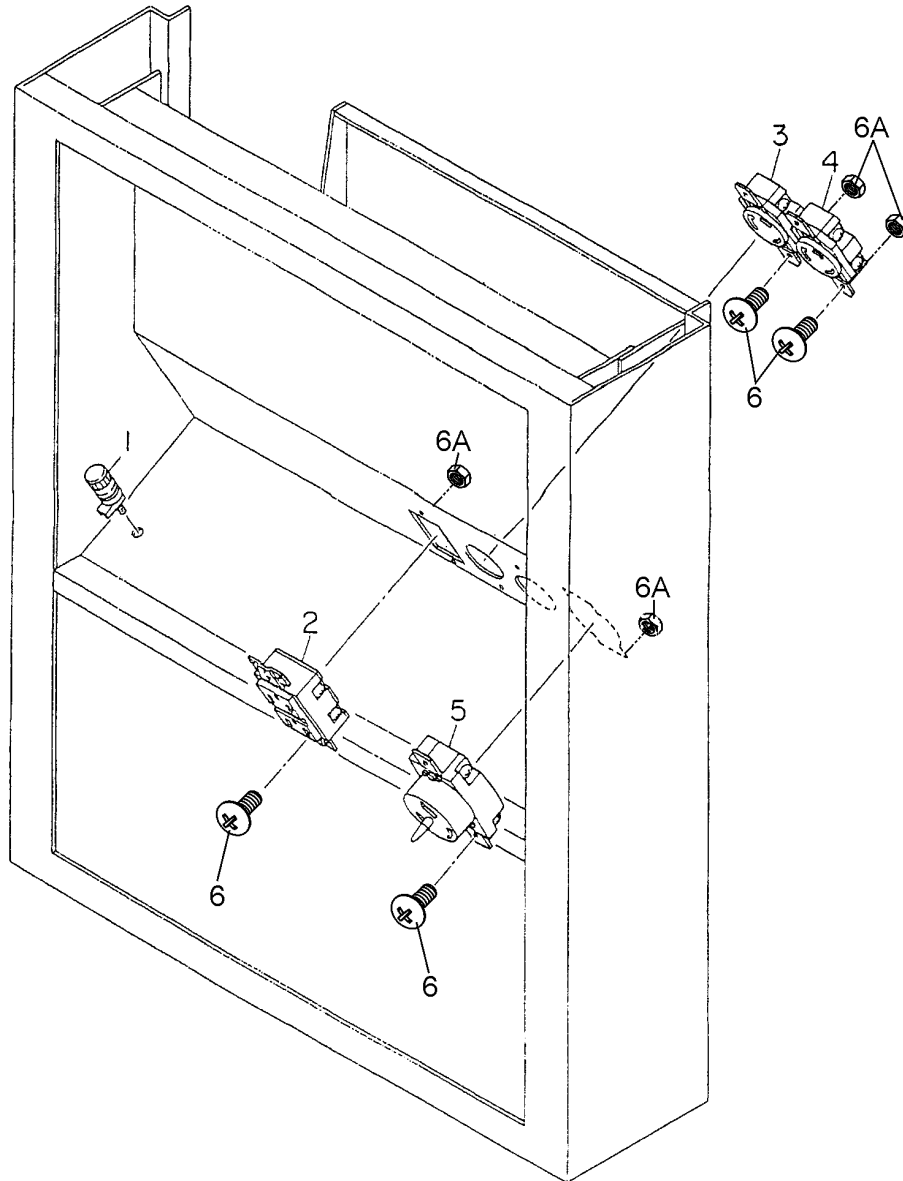
CONTROL PANEL ASSY. (CONT'D.)



CONTROL PANEL ASSY. (CONT'D.)

<u>NO.</u>	<u>PART NO.</u>	<u>PART NAME</u>	<u>QTY.</u>	<u>REMARKS</u>
31	1G38560601	ENGINE CONTROL UNIT	1.....	REPLACES P/N Y0602202634
32	0021005050	MACHINE SCREW	2	
32A	0032005000	WASHER, LOCK.....	2.....	REPLACES P/N 0040005000
32B	0401450050	WASHER, FLAT	2.....	REPLACES P/N 0041205000
33	M0261200004	FUSE BOX	1	
33A	0601806642	FUSE, 5A	5	
33B	0601806645	FUSE, 10A	4	
33C	M9521000204	DECAL: FUSE BOX	1	
34	0027105015	MACHINE SCREW	2	
35	RP42153730	RELAY ASSY.....	1.....	REPLACES P/N Y0602202635
36	6888153542	RELAY	1.....	REPLACES P/N 0602202566
37	0027104020	MACHINE SCREW	2	
38	0601806640	FUSE, 65A	1	
39	0601830727	SWITCH, IDLE CONTROL	1.....	REPLACES P/N 0601830708
39A	Y0601831978	INSTALLATION RING	1	
40	M0214000003	CONTROL BOX	1	
41	011008020	HEX. HEAD BOLT	4.....	REPLACES P/N 0017108020
42	M0247700110	GENERATOR WIRE HARNESS	1	
43	M0358200100	ENGINE WIRE HARNESS	1	

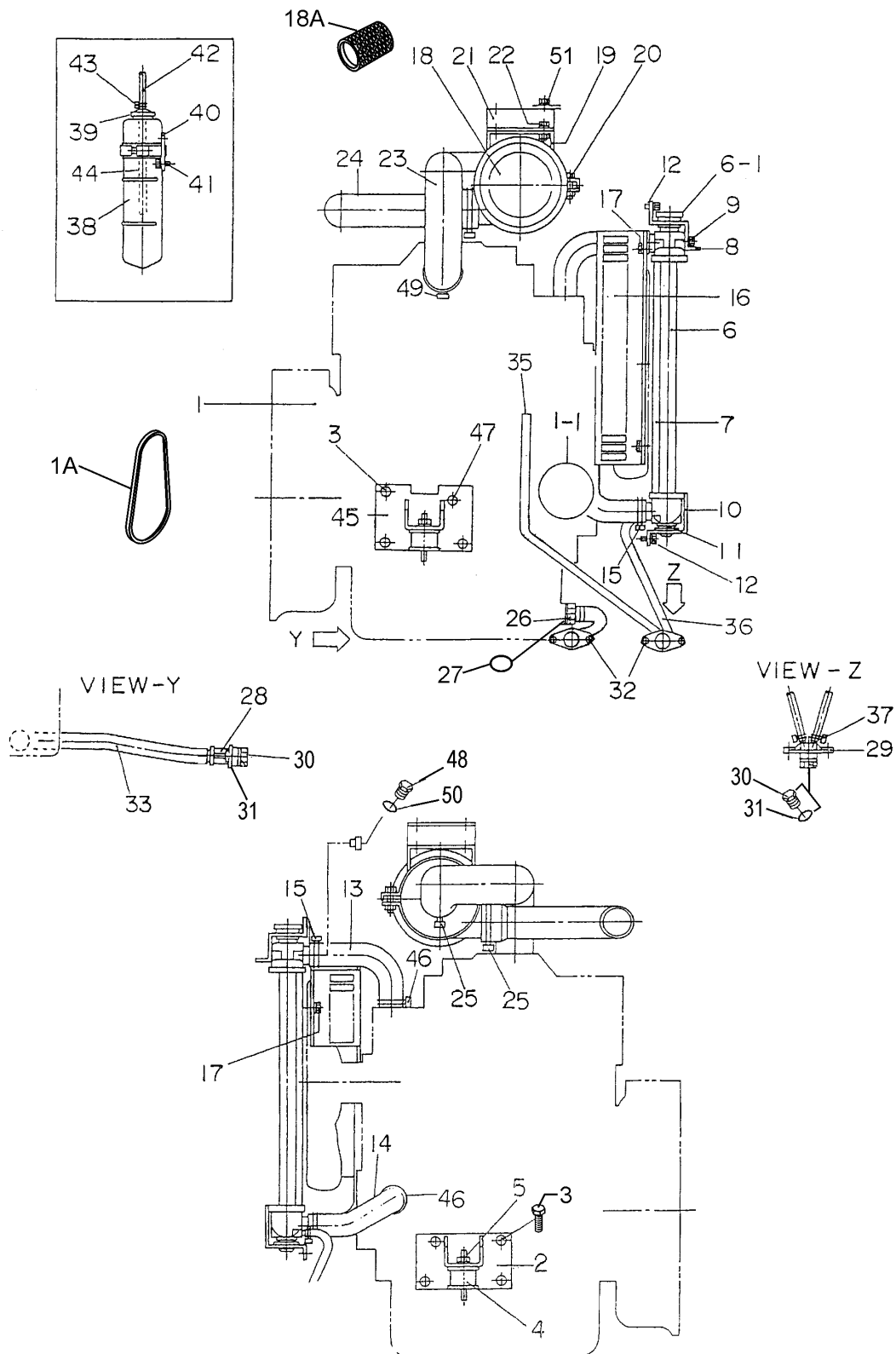
OUTPUT RECEPTACLE ASSY.



OUTPUT RECEPTACLE ASSY.

<u>NO.</u>	<u>PART NO.</u>	<u>PART NAME</u>	<u>QTY.</u>	<u>REMARKS</u>
1	0601815109	GROUND TERMINAL	1	
2	Y0601814024	RECEPTACLE, GFRST20DEN.....	1.....	S/N 8710628 AND BELOW
2	Y0601814034	RECEPTACLE, GFWR2-E.....	1.....	S/N 8710629 AND ABOVE
3	0601811031	RECEPTACLE, L5-30R.....	1.....	REPLACES P/N 0601811035
4	0601811033	RECEPTACLE, L6-30R	1	
5	0601814014	RECEPTACLE, CS-639L	1	
6	0027104015	MACHINE SCREW	8	
6A	0207004000	HEX NUT	8	

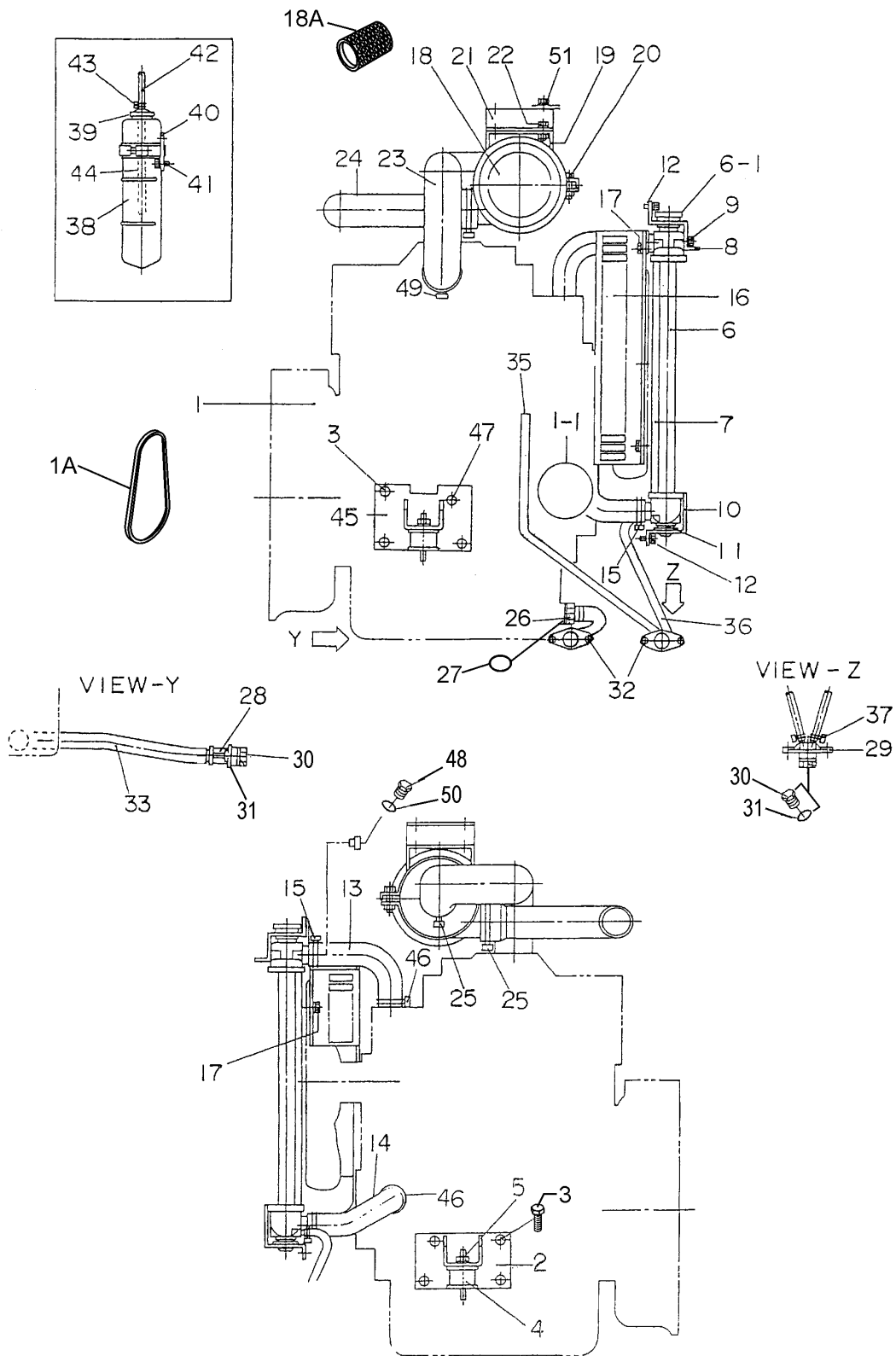
ENGINE AND RADIATOR ASSY.



ENGINE AND RADIATOR ASSY.

<u>NO.</u>	<u>PART NO.</u>	<u>PART NAME</u>	<u>QTY.</u>	<u>REMARKS</u>
1	D1503M	ENGINE, KUBOTA.....	1.....	REPLACES P/N M0924200014
1A	1G38297010	FAN BELT	1.....	REPLACES P/N Y0602015260
1-1	HH16432430	CARTRIDGE, OIL FILTER.....	1.....	REPLACES P/N Y0602041279
2	M0304200104	ENGINE FOOT	1	
3	012212025	HEX. HEAD BOLT.....	7.....	REPLACES P/N 0012412025
4	9312600104	RUBBER SUSPENSION	2	
5	021112140	HEX. NUT	2.....	REPLACES P/N 0207010000
6	0602012733	RADIATOR	1	
6-1	0602011079	CAP, RADIATOR	1	
7	0220300400	RUBBER SEAL	2	
8	M0311200004	BRACKET, RADIATOR	1	
9	011208030	HEX. HEAD BOLT.....	2.....	REPLACES P/N 0016908030
10	M0311200203	BRACKET, RADIATOR	1	
11	M9312200104	MOUNT RUBBER	2	
12	011008020	HEX. HEAD BOLT.....	5.....	REPLACES P/N 0016908020
13	M0311500203	RADIATOR HOSE	1	
14	B0311500903	RADIATOR HOSE.....	1.....	REPLACES P/N M0311500303
15	0605515149	HOSE BAND	2	
16	M0311300103	FAN GUARD	1	
17	011008020	HEX. HEAD BOLT.....	3.....	REPLACES P/N 0016908020
18	0602046268	AIR CLEANER	1	
18A	0602046335	ELEMENT, AIR CLEANER	1	
19	M0375200103	BAND, AIR CLEANER	1	
20	011208030	HEX. HEAD BOLT.....	1.....	REPLACES P/N 0016908030
21	M0374200004	BRACKET, AIR CLEANER	1	
22	011008020	HEX. HEAD BOLT.....	2.....	REPLACES P/N 0016908020
23	B1374100503	HOSE, AIR CLEANER.....	1.....	REPLACES P/N M0374100103
24	M0374100204	HOSE, AIR CLEANER	1	
25	0605515147	HOSE BAND	2	
26	M0322200004	DRAIN JOINT	1	
27	0602021193	PACKING	1	
28	1502025103C	DRAIN JOINT	1.....	REPLACES P/N M9200000003
29	1622014103	DRAIN JOINT	1.....	REPLACES P/N M9602000003
30	0802011104	PLUG.....	2.....	REPLACES P/N M9200200004

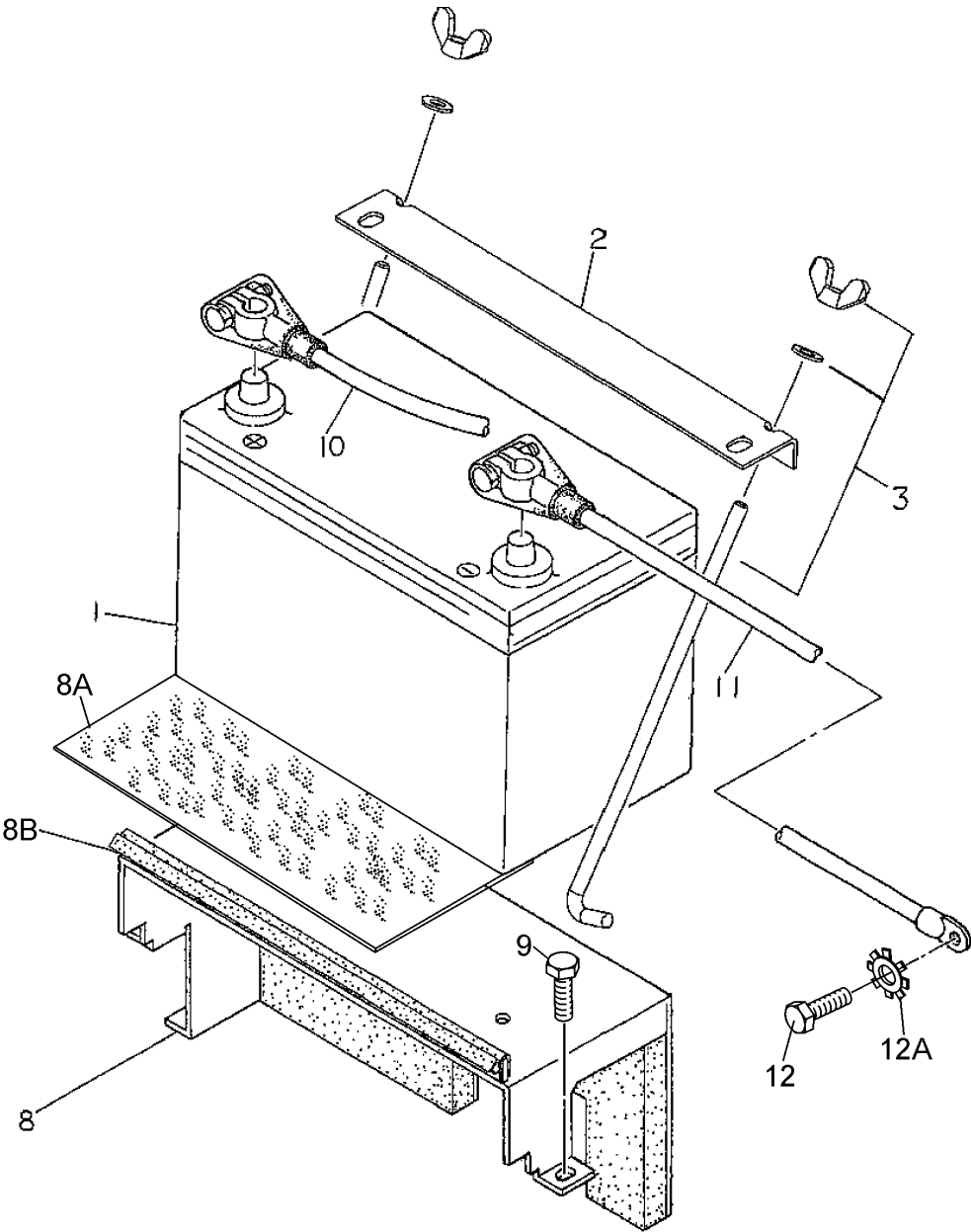
ENGINE AND RADIATOR ASSY. (CONT'D.)



ENGINE AND RADIATOR ASSY. (CONT'D.)

<u>NO.</u>	<u>PART NO.</u>	<u>PART NAME</u>	<u>QTY.</u>	<u>REMARKS</u>
31	0150000018	O-RING	2	
32	011206020	HEX. HEAD BOLT	4	REPLACES P/N 0019206020
33	Y0269200430	PUSH LOCK HOSE	1	
35	0199900500	DRAIN HOSE	1	
36	0199900350	DRAIN HOSE	1	
37	0605515189	HOSE BAND	4	
38	0802081403D	RESERVE TANK	1	REPLACES P/N M9300000003
39	0802081104	CAP, RESERVE TANK	1	REPLACES P/N M9300100003
40	M1318100204	BRACKET, RESERVE TANK	1	
41	011106015	HEX. HEAD BOLT	3	REPLACES P/N 0017106015
42	0199900450	HOSE	1	
43	0605515189	HOSE BAND	2	
44	0199100215	HOSE	1	
45	M0304200004	ENGINE FOOT	1	
46	0605515149	HOSE BAND	2	
47	0012410025	HEX. HEAD BOLT	1	
48	M9200100904	PLUG	1	
49	0605515199	HOSE BAND	1	
50	0150000016	O-RING	1	
51	0019208020	HEX HEAD BOLT	2	

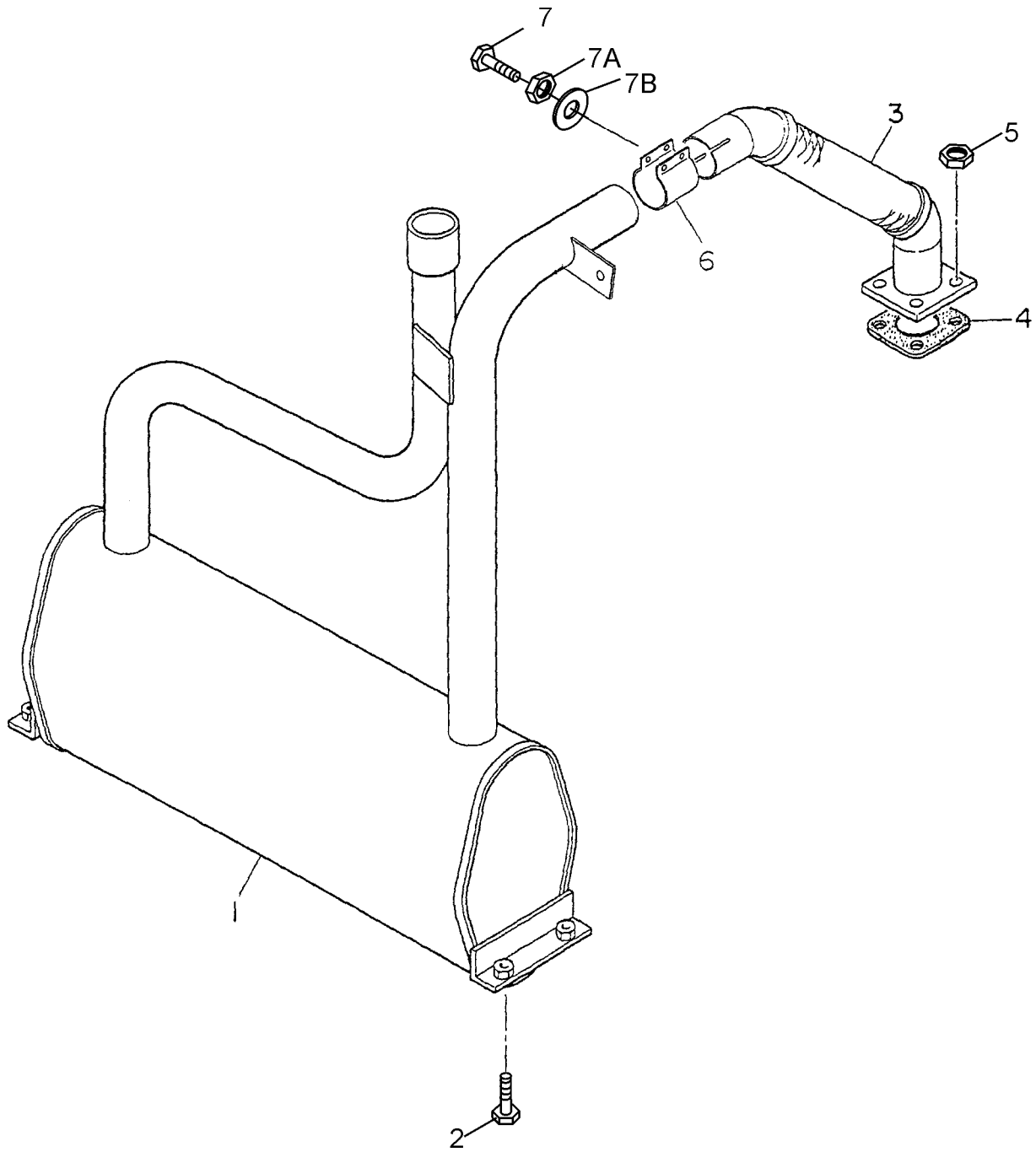
BATTERY ASSY.



BATTERY ASSY.

<u>NO.</u>	<u>PART NO.</u>	<u>PART NAME</u>	<u>QTY.</u>	<u>REMARKS</u>
1	0602220193	BATTERY	1	
2	M0484600004	BATTERY BAND	1	
3	0602220920	BATTERY BOLT W/HARDWARE	2	
8	M0344000003	BATTERY BASE	1	
8A	M0494000204	ACOUSTIC SHEET	1	
8B	0314200350	RUBBER SEAL	1	
9	011008020	HEX. HEAD BOLT	3.....	REPLACES P/N 0017108020
10	M0348200004	BATTERY CABLE, POSITIVE	1	
11	M0347200004	BATTERY CABLE, NEGATIVE	1	
12	012212025	HEX HEAD BOLT	1.....	REPLACES P/N 0012412025
12A	0040512000	TOOTHED WASHER	1	

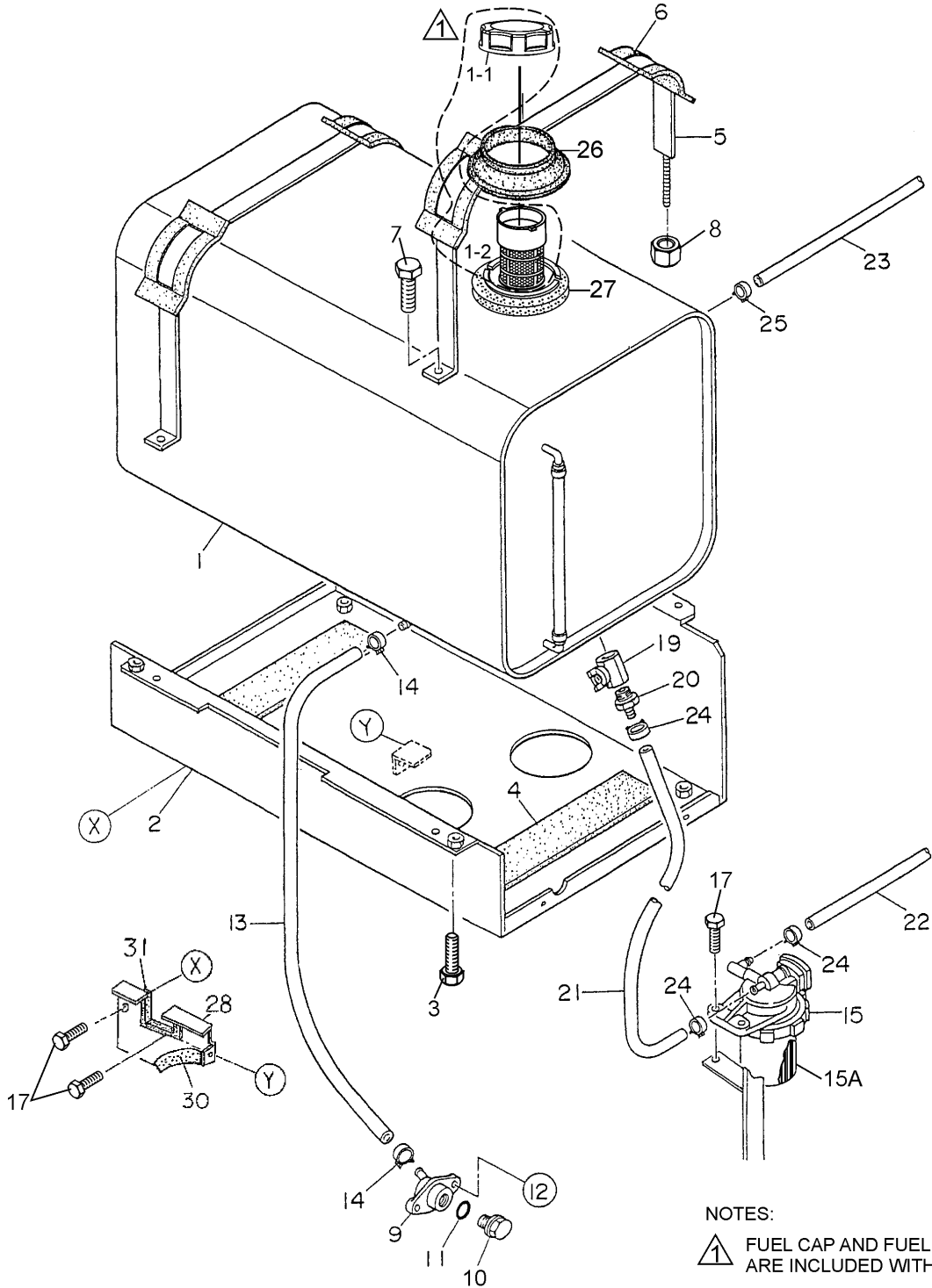
MUFFLER ASSY.



MUFFLER ASSY.

<u>NO.</u>	<u>PART NO.</u>	<u>PART NAME</u>	<u>QTY.</u>	<u>REMARKS</u>
1	M0331100203	MUFFLER	1	
2	011008020	HEX. HEAD BOLT	5.....	REPLACES P/N 0016908020
3	M0334000103	EXHAUST PIPE	1	
4	1526312370	GASKET	1.....	REPLACES P/N 1526312371
5	Y0207008000	HEX. NUT	4	
6	0602325094	PIPE BAND	1	
7	0341510040	HEX. HEAD BOLT	2	
7A	0042410000	WASHER, FLAT	2	
7B	0207110000	NUT	2	

FUEL TANK ASSY.

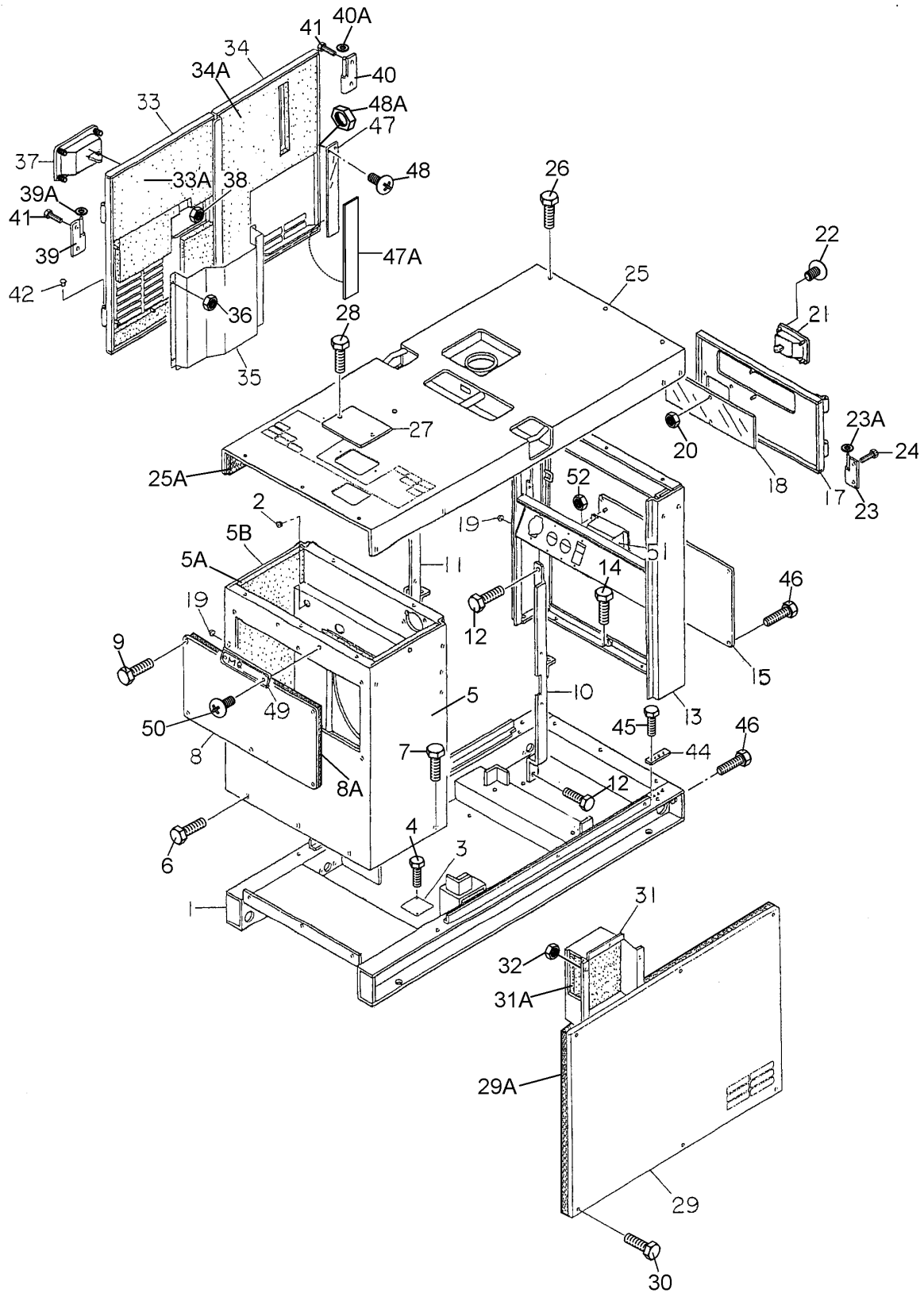


NOTES:
 ⚠ FUEL CAP AND FUEL FILTER ARE INCLUDED WITH ITEM 1.

FUEL TANK ASSY.

<u>NO.</u>	<u>PART NO.</u>	<u>PART NAME</u>	<u>QTY.</u>	<u>REMARKS</u>
1	B0364000703	FUEL TANK.....	1.....	REPLACES P/N M0364000003 INCLUDES ITEMS W/#
1-1#	W0810105000	CAP, FUEL TANK	1	
1-2#	0810105400	FUEL FILTER	1	
2	M0364300103	FUEL TANK BASE	1	
3	011008020	HEX. HEAD BOLT.....	4.....	REPLACES P/N 0017108020
4	0222100300	TANK SHEET	2	
5	M0365200004	TANK BAND	2	
6	M9310500104	PAD, TANK BAND	4	
7	011008020	HEX. HEAD BOLT.....	2.....	REPLACES P/N 0016908020
8	0207308000	HEX. NUT	2	
9	7812014003B	DRAIN JOINT.....	1.....	REPLACES P/N M2320300103
10	0802011104	PLUG.....	1.....	REPLACES P/N M9200200004
11	0150000018	O-RING	1	
12	011206020	HEX. HEAD BOLT.....	2.....	REPLACES P/N 0019206020
13	0199901200	DRAIN HOSE	1	
14	0605515198	HOSE BAND	2	
15	1522143016	FUEL FILTER.....	1.....	REPLACES P/N 0602042462
15A	1522143170	ELEMENT, FUEL FILTER.....	1.....	REPLACES P/N 0602042551
17	011208030	HEX. HEAD BOLT.....	2.....	REPLACES P/N 0016908030
19	0603325013	VALVE	1	
20	0602022219	HOSE JOINT	1	
21	0199900200	SUCTION HOSE	1	
22	Y0199900250	SUCTION HOSE	1	
23	0199700250	RETURN HOSE	1	
24	0605515198	HOSE BAND	4	
25	Y0605515104	HOSE BAND	2	
26	M0365400004	RUBBER SEAL	1	
27	M0364400004	RUBBER SEAL	1	
28	M0484300004	BRACKET	1	
29	011106015	HEX. HEAD BOLT.....	2.....	REPLACES P/N 0017106015
30	0220300160	RUBBER SEAL	1	
31	Y0411100100	EDGE TRIM	1	

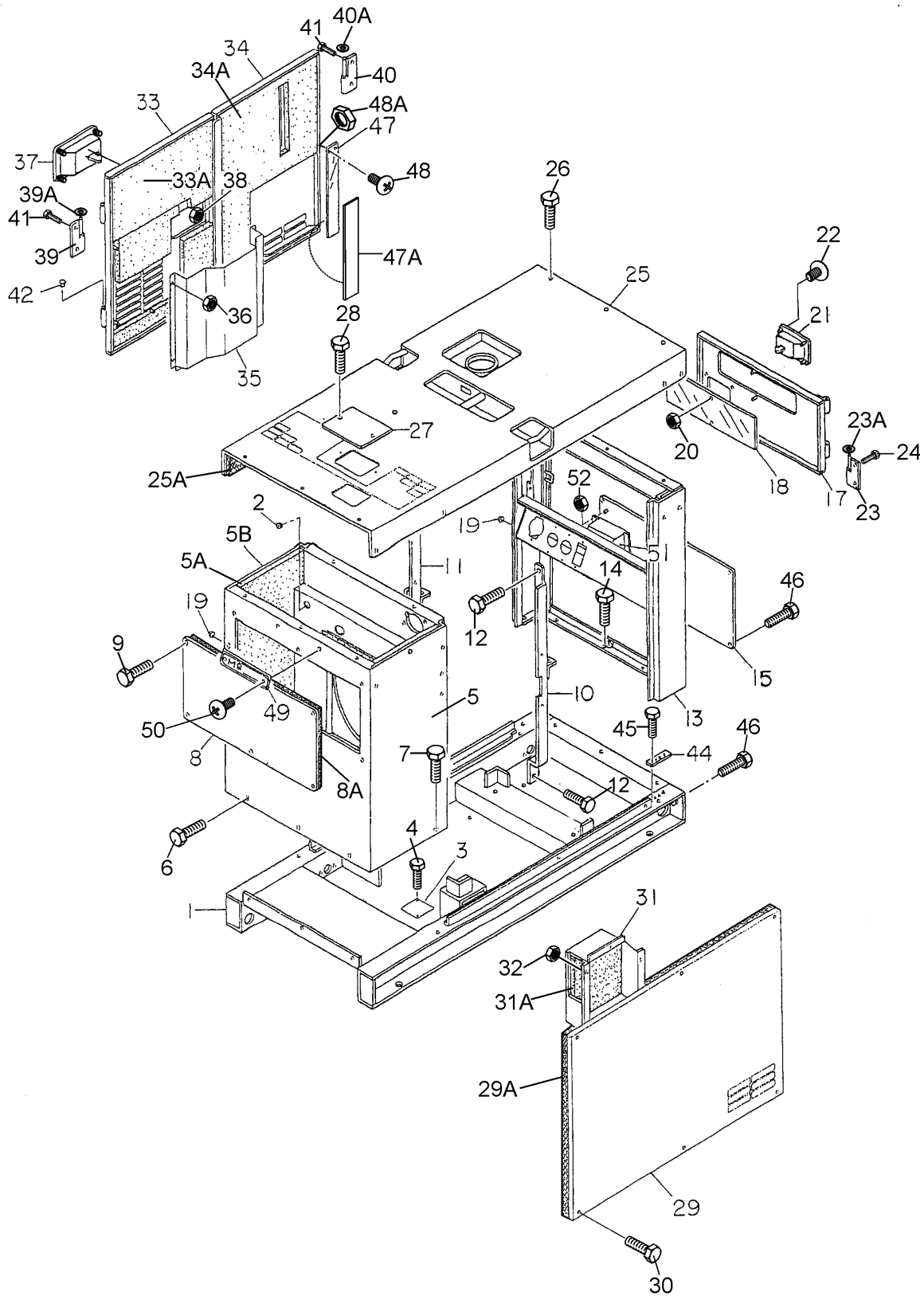
ENCLOSURE ASSY.



ENCLOSURE ASSY.

<u>NO.</u>	<u>PART NO.</u>	<u>PART NAME</u>	<u>QTY.</u>	<u>REMARKS</u>
1	M0414000102	BASE	1	
2	0601850239	GROMMET	1	
3	M0414800004	COVER	1	
4	0016906016	HEX. HEAD BOLT	2	
5	M0424000112	FRONT FRAME	1	
5A	M0494100514	ACOUSTIC SHEET	1	
5B	0315900475	RUBBER SEAL	2	
6	0019208020	HEX. HEAD BOLT	3	
7	011008020	HEX. HEAD BOLT	2	REPLACES P/N 0016908020
8	M0485400004	COVER, FRONT FRAME	1	
8A	M0495100104	ACOUSTIC SHEET	1	
9	0019208020	HEX. HEAD BOLT	6	
10	M0434300203	HANGER	1	
11	M0434300303	HANGER	1	
12	0012312030	HEX. HEAD BOLT	4	
13	M0444000102	REAR FRAME	1	
14	011008020	HEX. HEAD BOLT	5	REPLACES P/N 0016908020
15	M0444300004	COVER, REAR FRAME	1	
16	0019208020	HEX. HEAD BOLT	6	
17	M0444200003	DOOR REAR FRAME	1	
18	M0444600004	WINDOW PLATE	1	
19	0601851613	STOPPER	2	
20	Y0207006000	HEX. NUT	2	
21	0605010230	DOOR HANDLE	1	
22	0021805015	MACHINE SCREW	4	
23	M9112100004	HINGE	2	
23A	M9118000004	WASHER	2	
24	0019206016	HEX. HEAD BOLT	4	
25	M0464000102	ROOF PANEL	1	
25A	M0494500604	ACOUSTIC SHEET	1	
26	0019208020	HEX. HEAD BOLT	16	
27	M1465400104	COVER	1	
28	0019208020	HEX. HEAD BOLT	2	
29	M0454100103	SIDE PANEL	1	
29A	M0494401804	ACOUSTIC SHEET	1	
30	Y0019208035	HEX. HEAD BOLT	6	
31	M0454300404	DUCT	1	
31A	M0494400204	LINING	1	
32	Y0207006000	HEX. NUT	6	
33	M0454000213	SIDE DOOR	1	
33A	M0494401204	ACOUSTIC SHEET	1	
34	M0454000303	SIDE DOOR	1	
34A	M0494401704	ACOUSTIC SHEET	1	

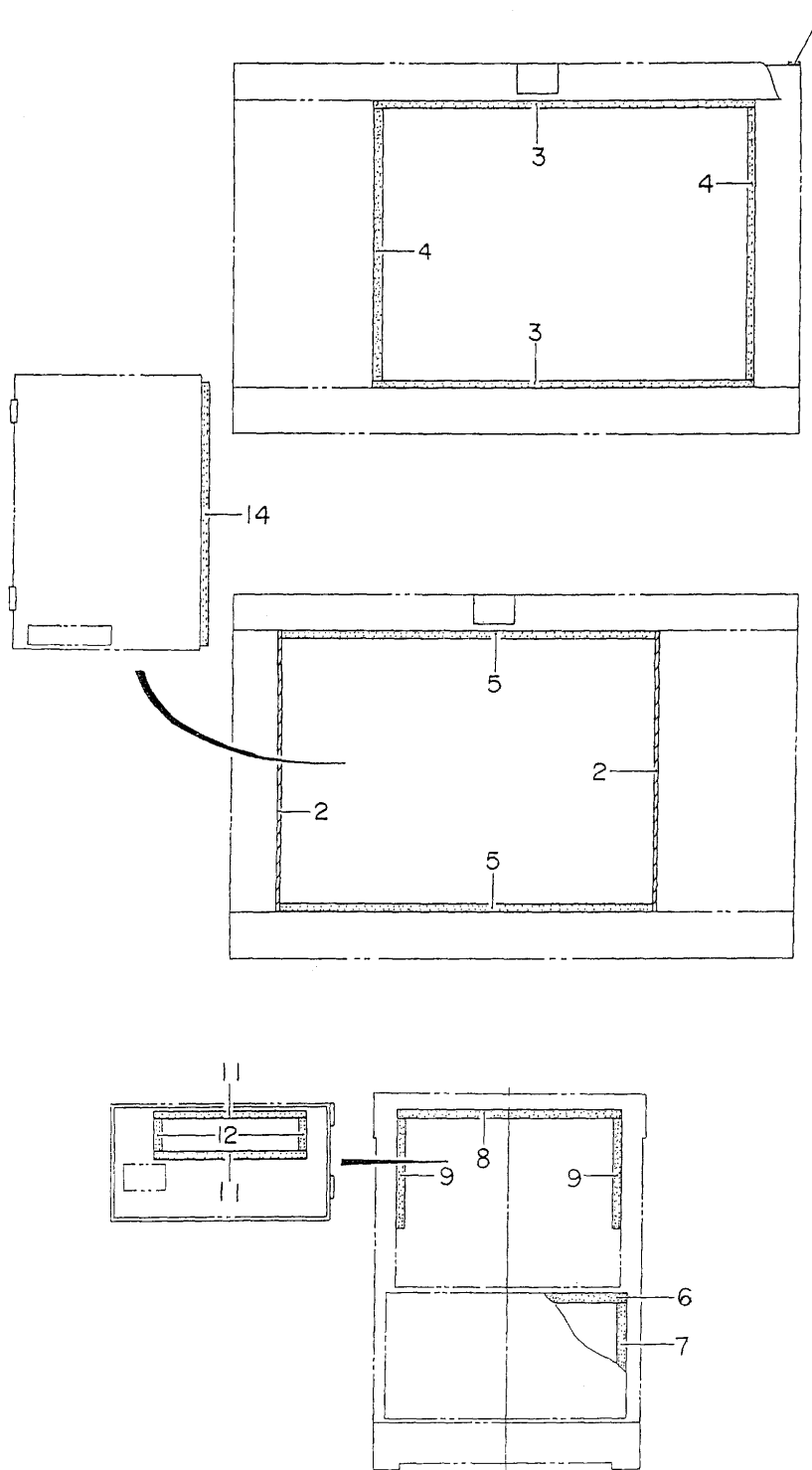
ENCLOSURE ASSY. (CONT'D.)



ENCLOSURE ASSY. (CONT'D.)

<u>NO.</u>	<u>PART NO.</u>	<u>PART NAME</u>	<u>QTY.</u>	<u>REMARKS</u>
35	M0454300304	DUCT	1	
36	Y0207006000	HEX. NUT	5	
37	Y0605012309	DOOR HANDLE	1	
38	Y0207006000	HEX NUT	4	
39	M9110100304	HINGE, MALE (R)	2	
39A	M9116100004	WASHER	2	
40	M9110100204	HINGE, MALE (L)	2	
40A	M9116100004	WASHER	2	
41	0019208020	HEX. HEAD BOLT	8	
42	M9310000004	CAP	4	
44	M1278200004	PLATE	1	
45	0016906015	HEX. HEAD BOLT	4	
46	0019208020	HEX. HEAD BOLT	1	
47	M0454400004	WINDOW PLATE	1	
47A	Y0279100210	DOUBLE SIDED TAPE	1	
48	0027103010	MACHINE SCREW	4	
48A	0207003000	HEX. NUT	4	
49	0600500092	EMBLEM.....	1	REPLACES P/N Y0600500092
50	0021106015	MACHINE SCREW	2	
51	M0444300104	DUCT	1	
52	Y0207006000	HEX. NUT	4	

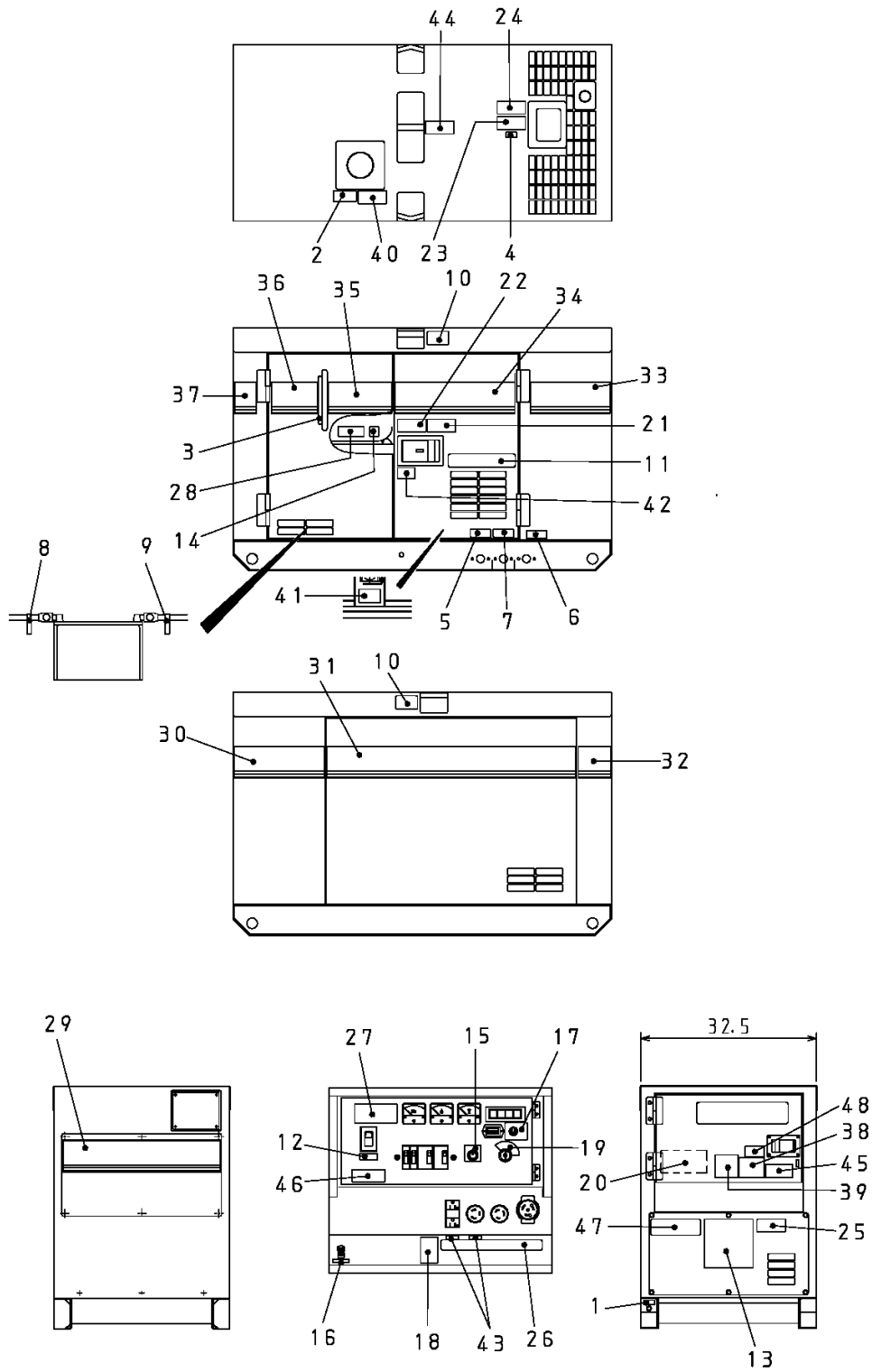
RUBBER SEALS ASSY.



RUBBER SEALS ASSY.

<u>NO.</u>	<u>PART NO.</u>	<u>PART NAME</u>	<u>QTY.</u>	<u>REMARKS</u>
1	0229200650	RUBBER SEAL	1	
2	0229400695	RUBBER SEAL	2	
3	0221700900	RUBBER SEAL	2	
4	0221700640	RUBBER SEAL	2	
5	0229400920	RUBBER SEAL	2	
6	0229200590	RUBBER SEAL	2	
7	0229200255	RUBBER SEAL	2	
8	0229400545	RUBBER SEAL	1	
9	0229400250	RUBBER SEAL	2	
11	0227500380	RUBBER SEAL	2	
12	0227500080	RUBBER SEAL	2	
14	0229400660	RUBBER SEAL	1	

NAMEPLATE AND DECALS ASSY.



NAMEPLATE AND DECALS ASSY.

<u>NO.</u>	<u>PART NO.</u>	<u>PART NAME</u>	<u>QTY.</u>	<u>REMARKS</u>
1	M9520000004	DECAL: GROUND	1.....	M92000000
2	M9501500004	DECAL: DIESEL FUEL	1.....	M90150000
3	M9502500104	DECAL: FUEL GAUGE	1.....	M90250010
4	M9500100004	DECAL: WATER.....	1.....	M90010000
5	M9500500104	DECAL: FUEL DRAIN PLUG.....	1.....	M90050010
6	M9500100104	DECAL: WATER DRAIN PLUG.....	1.....	M90010010
7	M9500000004	DECAL: OIL DRAIN PLUG	1.....	M90000000
8	M9500300104	DECAL: +	1.....	M90030010
9	M9500300004	DECAL: -	1.....	M90030000
10	M9512000004	DECAL: SUPPORT HOOK	2.....	M91200000
11	M9503000103	DECAL: WATER-OIL CHK. AND FILL DAILY	1.....	M90300010
12	M9522000504	DECAL: CIRCUIT BREAKER	1.....	M92200050
13	M9511200204	DECAL: MQ POWER.....	1.....	M91120020
14	M9502500004	DECAL: FUEL COCK.....	1.....	M90250000
15	M9522000604	DECAL: VOLTAGE REGULATOR.....	1.....	M92200060
16	M9522001504	DECAL: GROUND FOR G.F.C.I.	1.....	M92200150
17	M9501400014	DECAL: SPEED CONTROL SWITCH	1.....	M90140001
18	M9522100004	DECAL: DANGER HIGH VOLTAGE	1.....	M92210000
19	M9502400004	DECAL: STARTER SWITCH.....	1.....	M90240000
20	M0551000103	DECAL: OPERATING PROCEDURE	1.....	M05100010
21	M9510100004	DECAL: CAUTION HOT PARTS	1.....	M91010000
22	M9503000004	DECAL: WARNING ROTATING PARTS	1.....	M90300000
23	M9503100004	DECAL: RADIATOR CAP	1.....	M90310000
24	M9503200004	DECAL: WARNING ENGINE EXHAUST	1.....	M90320000
25	M9520100503	DECAL: WARNING INTERIOR WIRING.....	1.....	M91010020
26	M0551000203	DECAL: AC POWER OUTPUT	1.....	M05100020
27	M9520100004	DECAL: WARNING ELECT. SHK. HAZARD	1.....	M92010000
28	M9504300004	DECAL: DANGER EXPLOSIVE GASES	1	
29	M0562100003	STRIPE: WHISPERWATT	1.....	M06210000
30	M0561100804	STRIPE: MQ POWER.....	1.....	M06110080
31	M0561101004	STRIPE	1	
32	M0561100304	STRIPE	1	
33	M0561100904	STRIPE	1	
34	M0561101304	STRIPE	1	
35	M0561101204	STRIPE	1	
36	M0561101104	STRIPE	1	
37	M0561100404	STRIPE	1	
38	M9503200104	DECAL: DANGER EX. GAS.....	1.....	M90320010
39	M9531100004	DECAL: DANGER.....	1.....	M93110000
40	M9503500004	DECAL: WARNING FIRE ACCIDENT.....	1.....	M90350000
41	M9504000004	DECAL: CAUTION	1.....	M90400000
42	M9504400004	DECAL: CAUTION DOOR	1.....	M90440000
43	M9521000104	DECAL: G.F.C.I.	2.....	M92100010
44	M0551000304	DECAL: MAX CAPACITY OF LIFTING	1.....	M05100030
45	M9542000004	DECAL: WARNING START FIRES	1.....	M90420000
46	M0561000004	DECAL: MQ STICKER 10 KW	1.....	M06100000
47	M9511200103	DECAL: TIER 4F.....	1.....	M91120010
48	M9504200104	DECAL: WARNING PROPOSITION 65	1.....	M90420010 S/N 8710563~

PARTS MANUAL

HERE'S HOW TO GET HELP

PLEASE HAVE THE MODEL AND SERIAL
NUMBER ON-HAND WHEN CALLING

UNITED STATES

Multiquip Inc.

(310) 537- 3700
6141 Katella Avenue Suite 200
Cypress, CA 90630
E-MAIL: mq@multiquip.com
WEBSITE: www.multiquip.com

CANADA

Multiquip

(450) 625-2244
4110 Industriel Boul.
Laval, Quebec, Canada H7L 6V3
E-MAIL: infocanada@multiquip.com

UNITED KINGDOM

Multiquip (UK) Limited Head Office

0161 339 2223
Unit 2, Northpoint Industrial Estate,
Globe Lane,
Dukinfield, Cheshire SK16 4UJ
E-MAIL: sales@multiquip.co.uk

© COPYRIGHT 2020, MULTIQUIP INC.

Multiquip Inc, the MQ logo are registered trademarks of Multiquip Inc. and may not be used, reproduced, or altered without written permission. All other trademarks are the property of their respective owners and used with permission.

This manual MUST accompany the equipment at all times. This manual is considered a permanent part of the equipment and should remain with the unit if resold.

The information and specifications included in this publication were in effect at the time of approval for printing. Illustrations, descriptions, references and technical data contained in this manual are for guidance only and may not be considered as binding. Multiquip Inc. reserves the right to discontinue or change specifications, design or the information published in this publication at any time without notice and without incurring any obligations.

