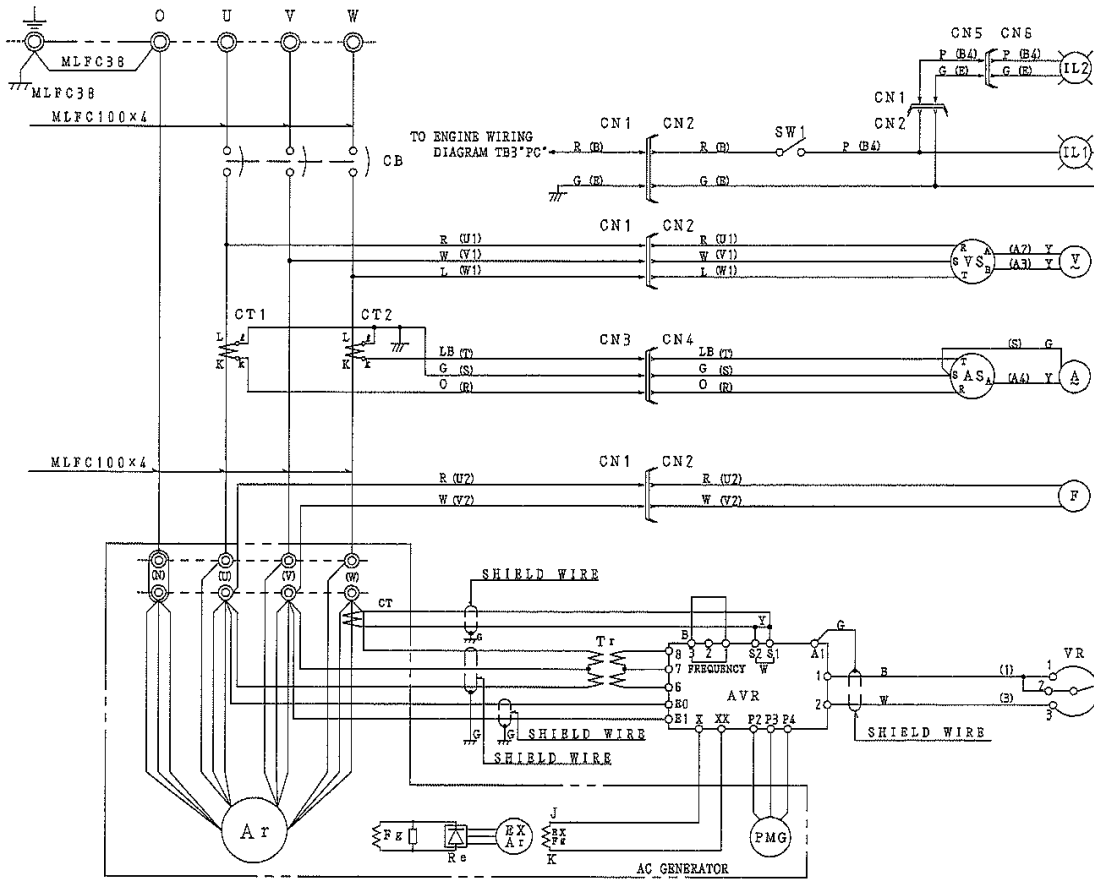
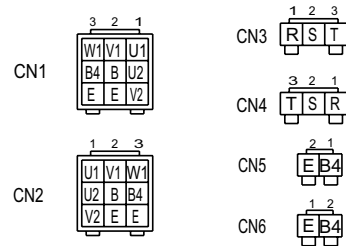


# GENERATOR WIRING DIAGRAM



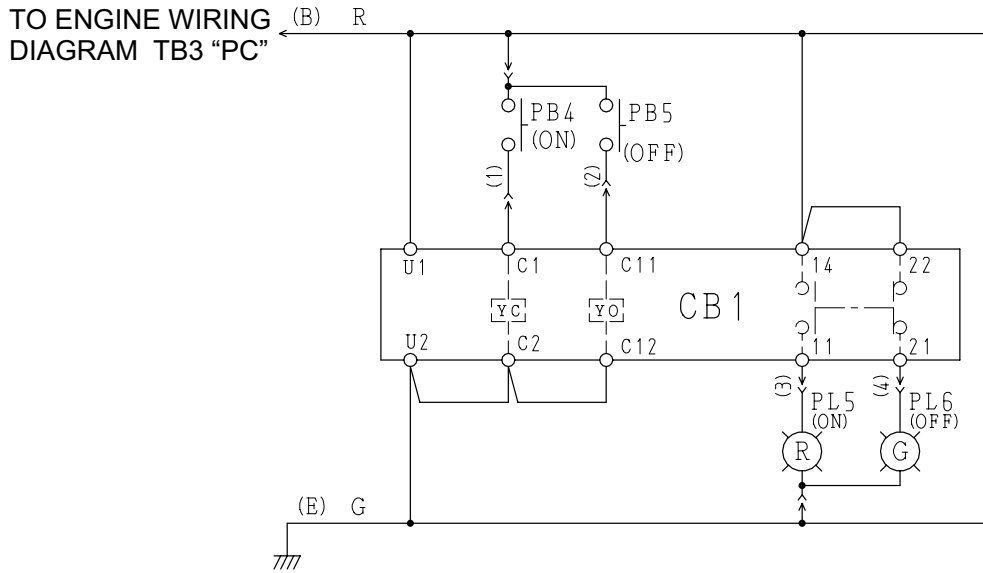
SYMBOL	DESIGNATION
SW1	SELECTOR SWITCH
V	AC. VOLTMETER
VS	CHANGE-OVER SWITCH, VOLTMETER
A	AC. AMMETER
AS	CHANGE-OVER SWITCH, AMMETER
F	FREQUENCY METER
CT 1,2	CURRENT TRANSFORMER
CB	CIRCUIT BREAKER, 3P 1600A
VR	VOLTAGE REGULATOR (RHEOSTAT)
AVR	AUTOMATIC VOLTAGE REGULATOR
IL1, IL2	PANEL LIGHT



CONNECTOR ARRANGEMENT  
(WIRING VIEW)

WIRE SIZE	CODE/WIRE COLOR			
125: 125 mm <sup>2</sup>	B	BLACK	R	RED
100: 100 mm <sup>2</sup>	L	BLUE	W	WHITE
80: 80 mm <sup>2</sup>	BR	BROWN	Y	YELLOW
22: 22 mm <sup>2</sup>	G	GREEN	LB	LIGHT BLUE
14: 14 mm <sup>2</sup>	GR	GRAY	LG	LIGHT GREEN
8: 8 mm <sup>2</sup>	V	VIOLET	O	ORANGE
5.5: 5.5 mm <sup>2</sup>	P	PINK		
NO MARK WIRE SIZE: 1.25 mm <sup>2</sup>				

# GENERATOR WIRING DIAGRAM (MAIN BREAKER)



WIRE SIZE	COLOR CODE			
	CODE/ WIRE COLOR			
125: 125 mm <sup>2</sup>	B	BLACK	R	RED
100: 100 mm <sup>2</sup>	L	BLUE	W	WHITE
80: 80 mm <sup>2</sup>	BR	BROWN	Y	YELLOW
22: 22 mm <sup>2</sup>	G	GREEN	LB	LIGHT BLUE
14: 14 mm <sup>2</sup>	GR	GRAY	LG	LIGHT GREEN
8: 8 mm <sup>2</sup>	V	VIOLET	O	ORANGE
5.5: 5.5 mm <sup>2</sup>	P	PINK		
NO MARK WIRE SIZE: 1.25 mm <sup>2</sup>				

SYMBOL	DESIGNATION
PB4	CIRCUIT BREAKER (ON) SWITCH
PB5	CIRCUIT BREAKER (OFF) SWITCH
PL5	CIRCUIT BREAKER (ON) LAMP
PL6	CIRCUIT BREAKER (OFF) LAMP



CONNECTOR  
(VIEW FROM INSERTING WIRE SIDE)

# ENGINE WIRING DIAGRAM

