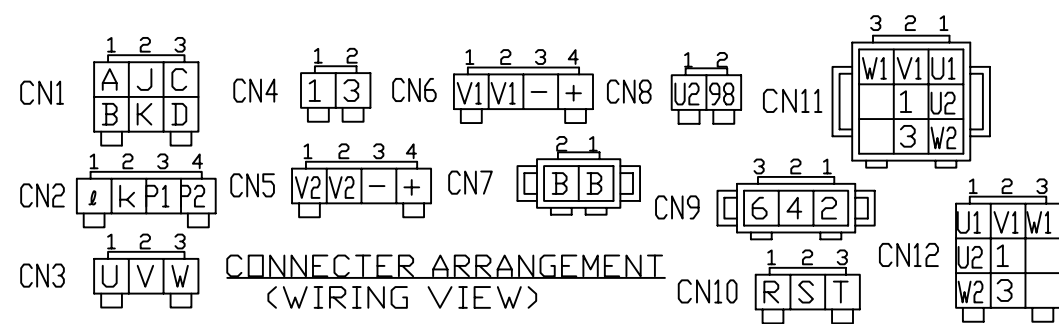


| SYMBOL   | DESIGNATION                     |
|----------|---------------------------------|
| Ar       | MAIN GENERATOR ARMATURE WINDING |
| Fg       | MAIN GENERATOR FIELD WINDING    |
| ExAr     | EXCITER ARMATURE WINDING        |
| ExFg     | EXCITER FIELD WINDING           |
| Re       | RECTIFIER                       |
| AVR      | AUTOMATIC VOLTAGE REGULATOR     |
| VR       | VOLTAGE REGULATOR (RHEOSTAT)    |
| CT 1,2,3 | CURRENT TRANSFORMER             |
| AS       | CHANGE-OVER SWITCH, AMMETER     |
| A        | AC AMMETER                      |
| VS       | CHANGE-OVER SWITCH, VOLTMETER   |
| V        | AC VOLTMETER                    |
| F        | FREQUENCY METER                 |
| CB1      | CIRCUIT BREAKER                 |
| CB2,3,4  | CIRCUIT BREAKER                 |
| CB5,6    | CIRCUIT BREAKER                 |
| CN1,2,3  | RECEPTACLE                      |
| CN4,5    | RECEPTACLE                      |
| OC       | OVER CURRENT RELAY              |
| SW       | SELECTOR SWITCH                 |
| RY1,2    | RELAY UNIT                      |

Notice:  
1. No designation lead size: 1.2mm

| COLOR CODE |            |    |             |
|------------|------------|----|-------------|
|            | WIRE COLOR |    | WIRE COLOR  |
| B          | BLACK      | R  | RED         |
| L          | BLUE       | W  | WHITE       |
| BR         | BROWN      | Y  | YELLOW      |
| G          | GREEN      | LB | LIGHT BLUE  |
| GR         | GRAY       | LG | LIGHT GREEN |
| V          | VIOLET     | □  | ORANGE      |
| P          | PINK       |    |             |



DAC-125SSJU