



DCA125USJ

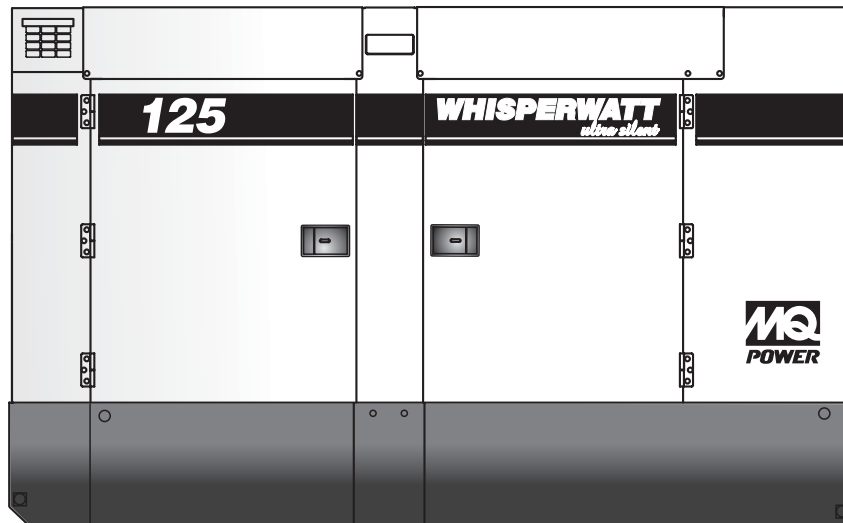
Ultra-Silent Series

WhisperWatt™ 125

Prime Rating: 100 kW (125 kVA)

Standby Rating: 110 kW (137.5 kVA)

60 Hertz



Standard Features

- **Heavy duty, 4-cycle, direct injection, turbocharged diesel engine** provides maximum reliability.
- **Brushless alternator** reduces service and maintenance requirements and meets temperature rise standards for Class F insulation systems.
- **Open delta alternator design** provides virtually unlimited excitation for maximum motor starting capability.
- **Automatic voltage regulator (AVR)** provides precise regulation.
- **Electronic Governor Control (Crystal Sync)** — maintains frequency to within $\pm 0.25\%$ from no load to full load.
- **Full load acceptance** of standby nameplate rating in one step (NFPA 110, para 5-13.2.6).
- **Sound attenuated, weather resistant, steel housing** provides operation at 62 dB(A) at 23 feet. Fully lockable enclosure allows safe unattended operation.
- **Internal fuel tank** with direct reading fuel gauges are standard.
- **Seven-stage powder coat paint** provides durability and weather protection.
- **Fuel / water separators** — remove condensation from fuel for extended engine life.
- **Simultaneous single and three phase power.**
- **Complete engine analog instrumentation** includes DC ammeter, oil pressure gauge, water temp. gauge, fuel level gauge, tachometer/hour meter, preheat indicator, emergency shutdown monitors, and emergency stop button.
- **Complete generator analog instrumentation** includes voltage regulator control, ammeter phase selector switch, voltmeter phase selector switch, AC voltmeter, AC ammeter, frequency meter, panel light, and circuit breaker.
- **Automatic safety shutdown system** monitors the water temperature, engine oil pressure, overspeed, and overcrank. Warning lights indicate abnormal conditions.
- **Automatic start / stop control** — automatically starts the generator set during a commercial power failure when used in conjunction with a transfer switch.
- **Complete power panel.** Fully covered; three-phase terminals and single phase receptacles allow fast and convenient hookup for most applications including temporary power boxes, tools and lighting equipment. All are NEMA standard.
- **Voltage selector switch** allows easy to change voltages as your applications require.
- **EPA emissions certified** - Tier 2 emissions compliant.



DCA125USJ

Ultra-Silent Series

Specifications

Generator Specifications

Design	Revolving field, self-ventilated, drip-proof, single bearing
No. of Poles	4-pole
Excitation	Brushless with AVR
Standby Output	110 KW (137.5 KVA)
Prime Output	100 KW (125 KVA)
Generator RPM	1800
Voltage — 3Ø	208, 220, 240, 416, 440, 480V Switchable
Voltage — 1Ø	120, 127, 139, 240, 254, 277V Switchable
Armature Connection	Star with neutral / Zig Zag
Voltage Regulation (No load to full load)	±0.5%
Power Factor	0.8
Frequency	60 Hz
Frequency Regulation: No Load to Full Load	Isochronous
Frequency Regulation: Steady State	±0.25% of mean value for constant loads from no load to full load
Insulation	Class F
Sound Level dB(A) Full load at 23 feet	62

Engine Specifications

Make / Model	John Deere / 6068TF275
Emissions	EPA Tier 2 Certified
Starting System	Electric
Design	4-cycle, water cooled, direct injection, turbocharged
Displacement	415.0 in ³ (6800 cc)
No. cylinders	6
Bore x Stroke (mm)	106 x 127
Gross Engine Power Output	165 bhp (123 kWm)
BMEP	159 psi (1098 kPa)
Piston Speed	1500 ft./min. (7.6 m/s)
Compression Ratio	17:1
Engine Speed	1800 rpm
Overspeed Limit	2100 rpm
Oil Capacity	5.3 gallons (19.9 liters)
Battery	12V 128xAh x 1

Fuel System

Maximum Fuel Flow (per hour)	23.8 gallons (90.2 liters)	
Maximum Inlet Restriction (Hg)	1.85 in. (47 mm)	
Fuel Tank Capacity	169 gallons (640 liters)	
Fuel Consumption	gph	lph
At full load	7.7	29.0
At 3/4 load	5.8	21.9
At 1/2 load	3.8	14.5
At 1/4 load	2.5	9.3

Cooling System

Fan Load	1.3 HP (1.0 KW)
Coolant Capacity (with radiator)	4.43 gallons (16.8 liters)
Coolant Flow Rate (per minute)	46 gallons (174 liters)
Heat Rejection to Coolant (per minute)	4360 Btu (4.6 MJ)
Heat Rejection to Room (per minute)	850 Btu (0.89 MJ)
Maximum Coolant Friction Head	4.0 psi (27.6 kPa)
Maximum Coolant Static Head	32 feet (9.8 meters)
Ambient Temperature Rating	104°F (40°C)

Air

Combustion Air	299 cfm (8.47 m ³ /min)
Maximum Air Cleaner Restriction	25.0 in. H ₂ O (6.2 kPa)
Alternator Cooling Air	1352 cfm (38.3 m ³ /min)
Radiator Cooling Air	2118 cfm (60 m ³ /min)

Exhaust System

Gas Flow (full load)	851 cfm (24.1 m ³ /min)
Gas Temperature	1040°F (560°C)
Maximum Back Pressure	30 in. H ₂ O (7.5 kPa)

Amperage

Rated Voltage	Maximum Amps
1Ø 120 Volt	277.8 Amps (4 wire)
1Ø 240 Volt	139.9 Amps (4 wire)
3Ø 240 Volt	300 Amps
3Ø 480 Volt	150 Amps
Main Line Circuit Breaker Rating	300 Amps
Over Current Relay Trip Set Point	152 Amps

Warranty*

John Deere Engine

12 months from date of purchase with unlimited hours or 24 months from date of purchase with 2000 hours (whichever occurs first).

Generator

24 months from date of purchase or 2000 hours (whichever occurs first).

Trailer

12 months excluding normal wear items.

*Refer to the express written, one-year limited warranty sheet for additional information.

Generator is not intended for use in enclosed areas or where free flow of air is restricted. Backfeed to a utility system can cause electrocution and/or property damage. Do not connect to any building's electrical system except through an approved device.

Specifications are subject to change without notice.



DCA125USJ

Ultra-Silent Series

MQ POWER DECIBEL LEVELS

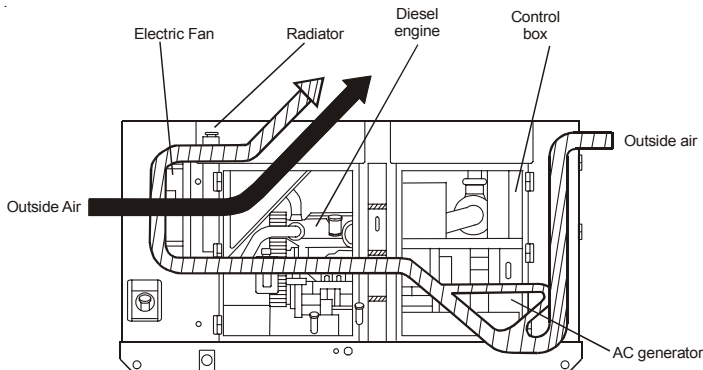
Our soundproof housing allows substantially lower operating noise levels than competitive designs. WhisperWatts are at home on construction sites, in residential neighborhoods, and at hospitals — just about anywhere.

- 90 — Subway / truck traffic
- 80 — Average city traffic
- 70 — Inside car at 60 mph
- 62.0 — **Ultra-Silent at 23 feet**
- 60 — Air conditioner at 20 feet
- 50 — Normal conversation



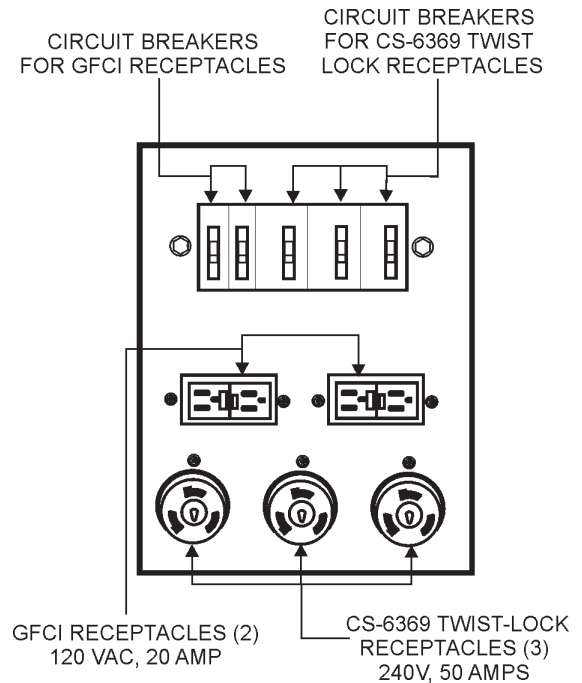
Ultra-Silent Features

- Low Noise Muffler**— Large capacity low noise muffler minimizes exhaust sound.
- Soundproof Casing**— The new design divides the cabinet into three sections, separating the engine, muffler and radiator for more efficient cooling and reduces noise from the engine and fans.
- New Cooling System**— An advanced design uses two separate air intake systems to cool the generator. The engine fan draws air in to cool the engine and generator housing while a second electric fan directly cools the radiator. With less air being drawn into the generator through each fan, considerably less noise is produced through the top of the generator.
- Environmental Design** — Constructed using an integrated environmental skid and fuel tank. This design fully contains fuel leakage and any liquid that might leak from the engine such as lube oil or radiator coolant. All potentially hazardous liquids are contained without contaminating the surrounding area.



Flow of Cooling Air

Generator Output Panel



Optional Control Features

- Emergency Stop Switch.**
- Audible Alarm** — alerts operator of abnormal conditions.

Optional Generator Features

- Battery Charger** — provides fully automatic and self-adjusting charging to the generator's battery system.
- Jacket Water Heater** — for easy starting in cold weather climates.
- Special Batteries** — long life batteries provide extra engine cranking power.
- Spring Isolators** — provides extra vibration protection for standby applications.
- Low Coolant Level Shutdown** — provides protection from critically low coolant levels. Includes control panel warning light.
- Trailer Mounted Package** — highway legal trailer with electronic or surge brakes with tandem axle configuration.

Optional Distribution Devices

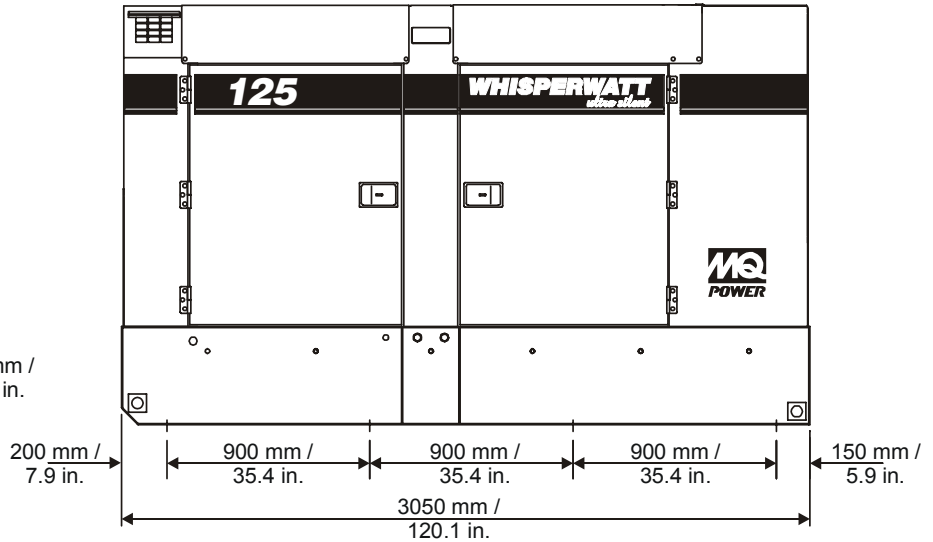
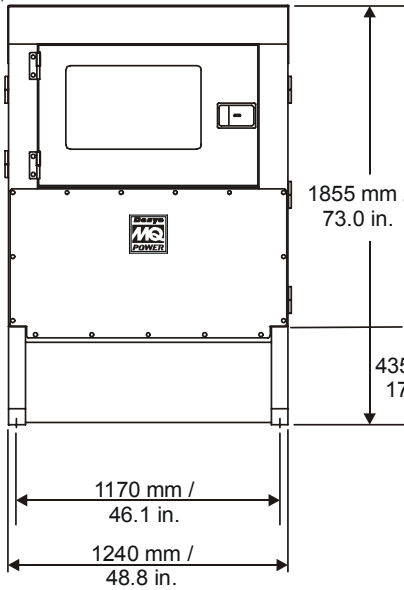
- Cam-Lock connectors.**
- Pin & Sleeve Connectors.**
- AC Output Cable.**



DCA125USJ

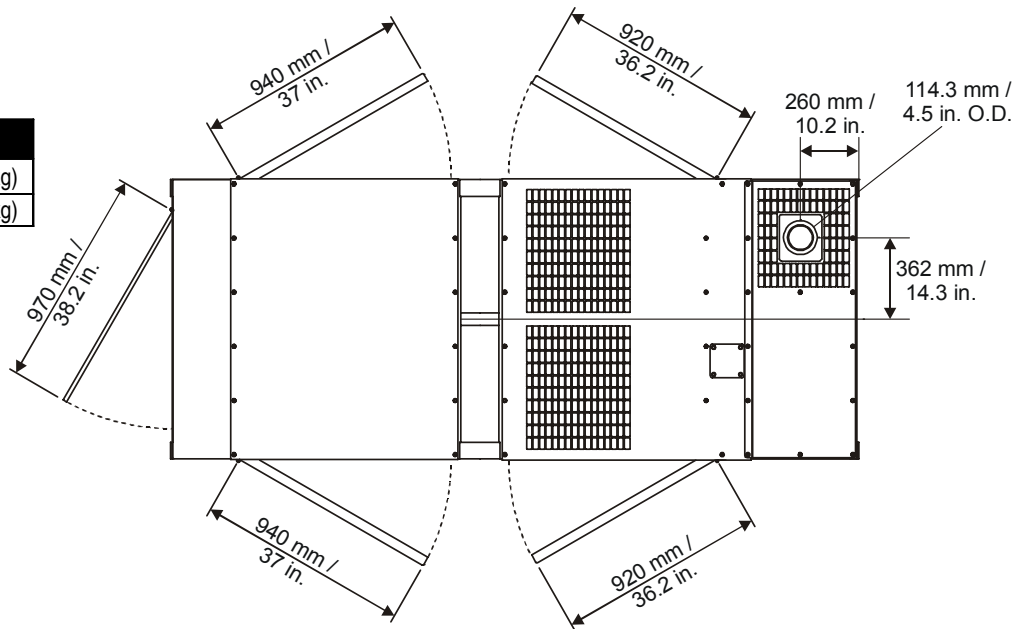
Ultra-Silent Series

Dimensions



Weight

Dry Weight	5953 lbs. (2700 kg)
Wet Weight	7220 lbs. (3275 kg)



Units manufactured by Denyo Manufacturing Corporation

Your MQ Power dealer is:



MQ POWER
 POST OFFICE BOX 6254
 CARSON, CA 90749
 310-537-3700 • 800-883-2551
 FAX: 310-632-2656
 E-MAIL: mqpower@multiquip.com
 WEBSITE: www.mqpower.com