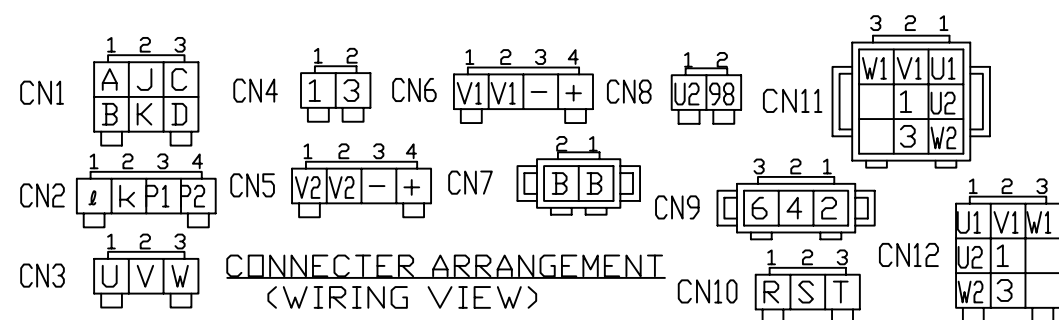


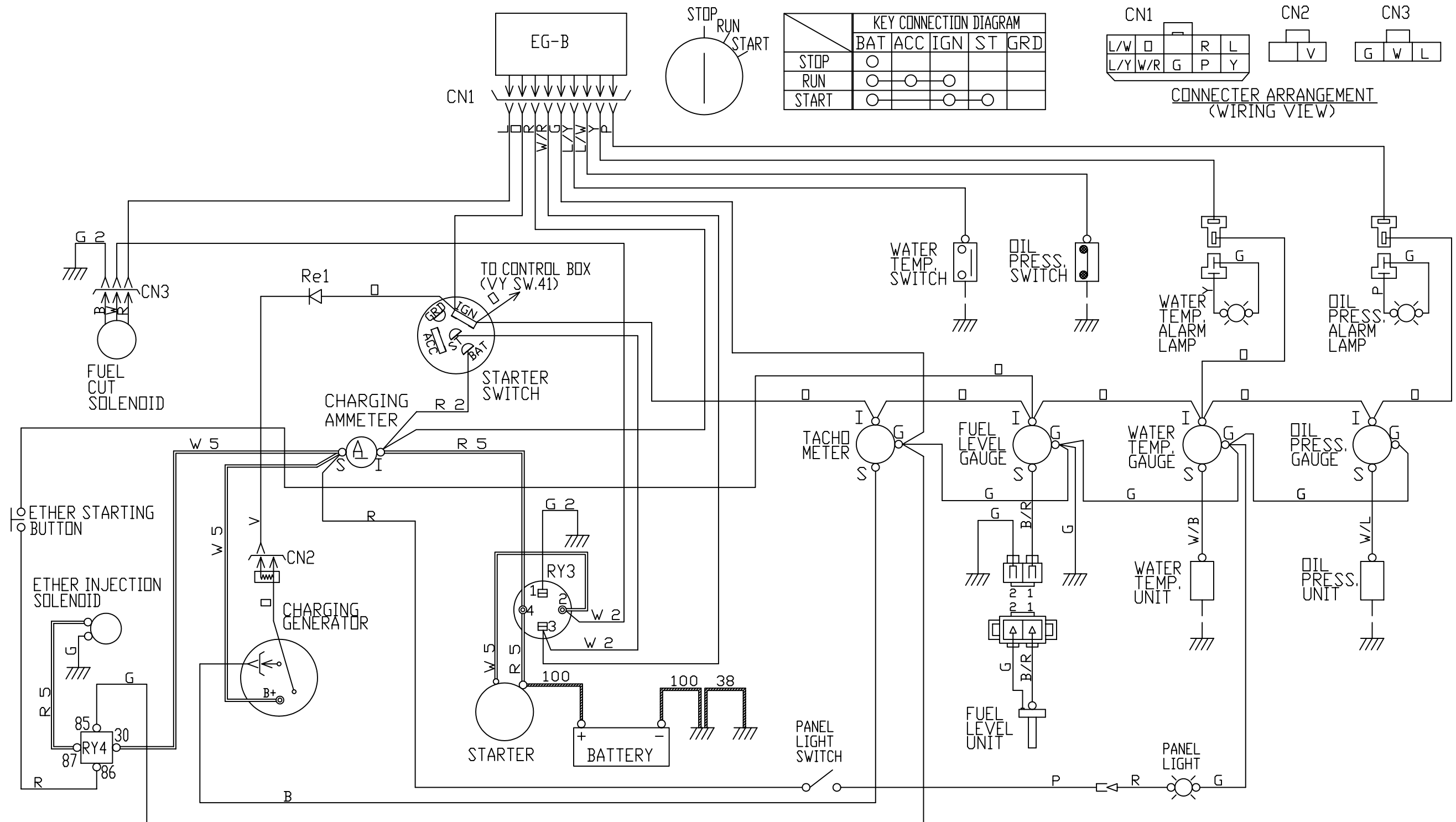
SYMBOL	DESIGNATION
Ar	MAIN GENERATOR ARMATURE WINDING
Fg	MAIN GENERATOR FIELD WINDING
ExAr	EXCITER ARMATURE WINDING
ExFg	EXCITER FIELD WINDING
Re	RECTIFIER
AVR	AUTOMATIC VOLTAGE REGULATOR
VR	VOLTAGE REGULATOR (RHEOSTAT)
CT 1,2,3	CURRENT TRANSFORMER
AS	CHANGE-OVER SWITCH, AMMETER
A	AC AMMETER
VS	CHANGE-OVER SWITCH, VOLTMETER
V	AC VOLTMETER
F	FREQUENCY METER
CB1	CIRCUIT BREAKER
CB2,3,4	CIRCUIT BREAKER
CB5,6	CIRCUIT BREAKER
CN1,2,3	RECEPTACLE
CN4,5	RECEPTACLE
OC	OVER CURRENT RELAY
SW	SELECTOR SWITCH
RY1,2	RELAY UNIT

Notice:
1. No designation lead size: 1.2mm²

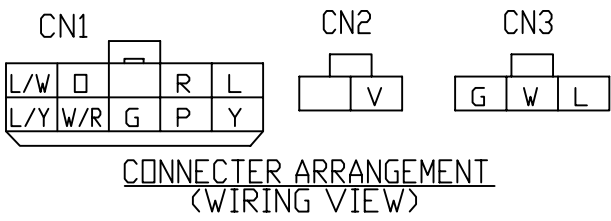
COLOR CODE			
	WIRE COLOR		WIRE COLOR
B	BLACK	R	RED
L	BLUE	W	WHITE
BR	BROWN	Y	YELLOW
G	GREEN	LB	LIGHT BLUE
GR	GRAY	LG	LIGHT GREEN
V	VIOLET	□	ORANGE
P	PINK		



DCA-150SSJU



		KEY CONNECTION DIAGRAM				
		BAT	ACC	IGN	ST	GRD
STOP	○					
RUN	○	○	○			
START	○			○	○	



WIRE SIZE	COLOR CODE			
100: 100mm ²	WIRE COLOR		WIRE COLOR	
38: 38mm ²	B	BLACK	R	RED
5: 5mm ²	L	BLUE	W	WHITE
2: 2mm ²	BR	BROWN	Y	YELLOW
No: 1.25mm ²	G	GREEN	LB	LIGHT BLUE
	GR	GRAY	LG	LIGHT GREEN
	V	VIOLET	□	ORANGE
	P	PINK		WIRE COLOR/LINE COLOR



DCA-150SSJU