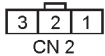
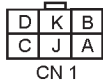
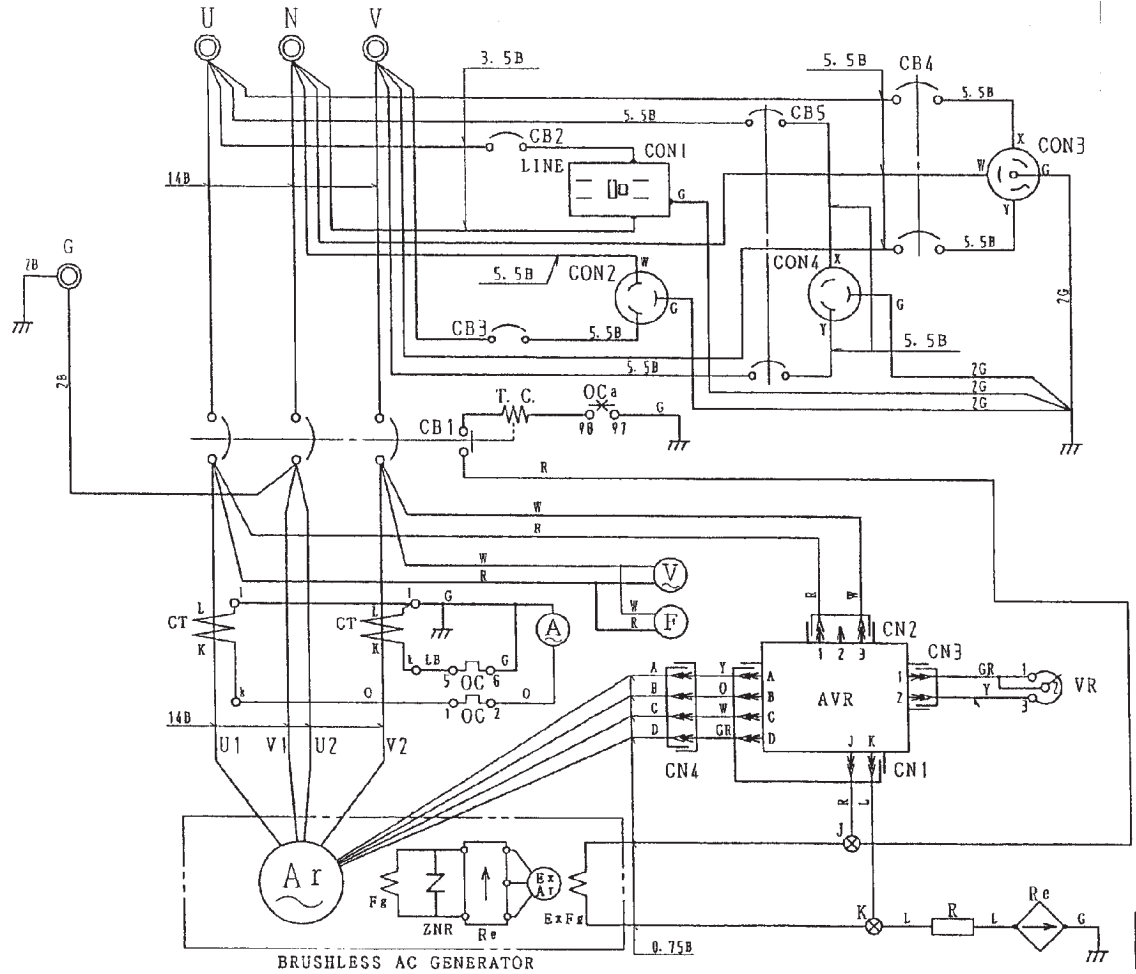


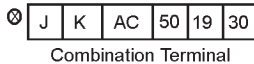
# DCA-15SPXU4 — GENERATOR WIRING DIAGRAM



Note : No designation lead size : 1.25

WIRING COLOR CODE			
SYMBOL	COLOR	SYMBOL	COLOR
B	BLACK	R	RED
L	BLUE	W	WHITE
BR	BROWN	Y	YELLOW
G	GREEN	LB	LIGHT BLUE
GR	GRAY	LG	LIGHT GREEN
V	VIOLET	O	ORANGE
P	PINK		

CONNECTOR  
View at Wiring Side



SYMBOL	DESIGNATION
V	AC.VOLTMETER
A	AC.AMMETER
F	FREQUENCY METER
CT	CURRENT TRANSFORMER, AMMETER
U.N.V	OUTPUT TERMINAL
AVR	AUTOMATIC VOLTAGE REGULATOR
VR	VOLTAGE REGULATOR
Cb1	CIRCUIT BREAKER 3P 70A
CB2	CIRCUIT BREAKER 20A
CB3	CIRCUIT BREAKER 30A
CB4	CIRCUIT BREAKER 50A
CB5	CIRCUIT BREAKER 30A
R	RESISTOR
Re	RECTIFIER
CON1	RECEPTACLE 20A
CON2	RECEPTACLE 30A
CON3	RECEPTACLE 50A
CON4	RECEPTACLE 30A
OC	OVER CURRENT RELAY
⊗ J, K	COMBINATION TERMINAL
⊙ G	GROUND TERMINAL

Figure 40. Generator Wiring Diagram

# DCA-15SPXU4 — ENGINE WIRING DIAGRAM

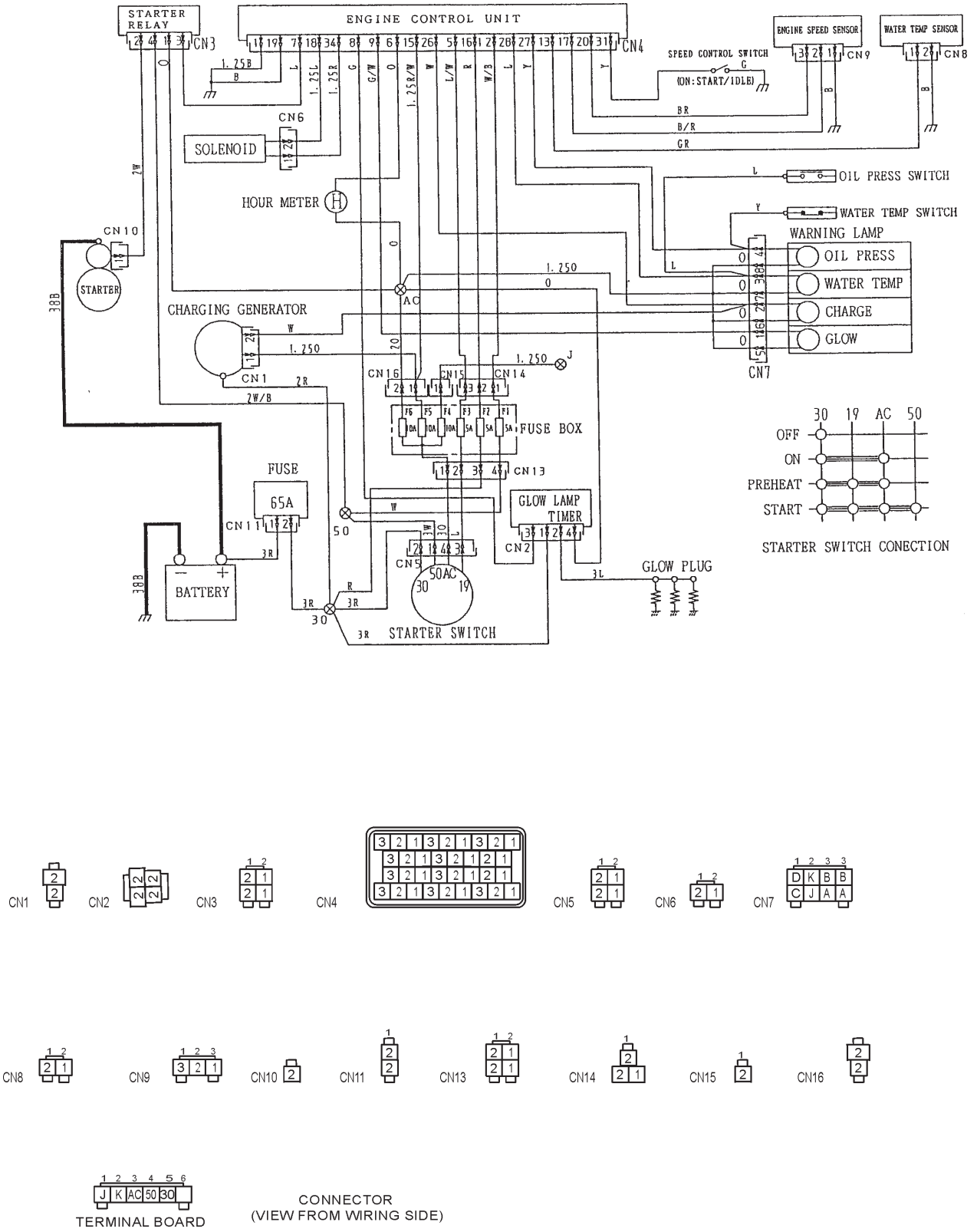


Figure 41. Engine Wiring Diagram