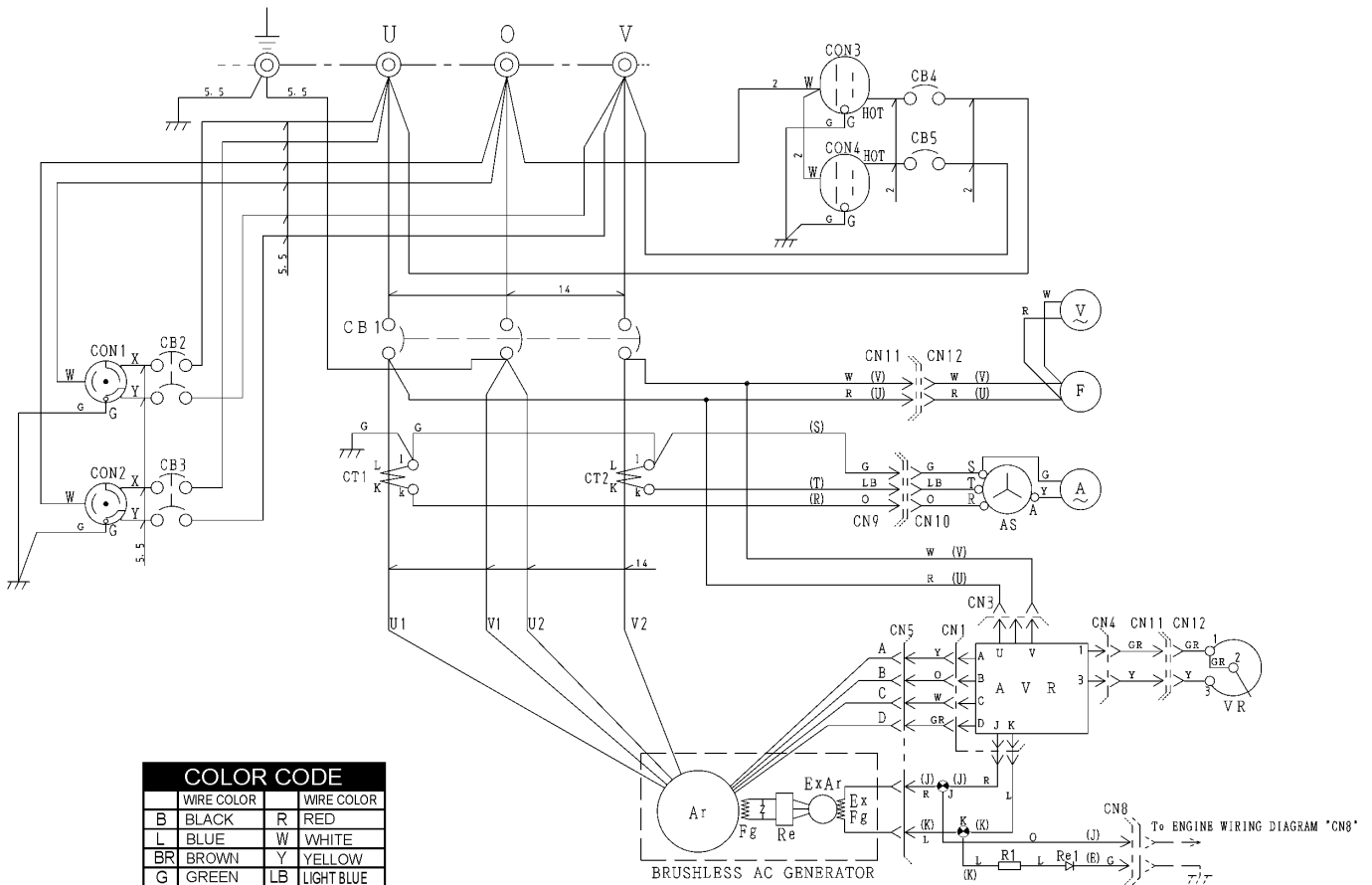
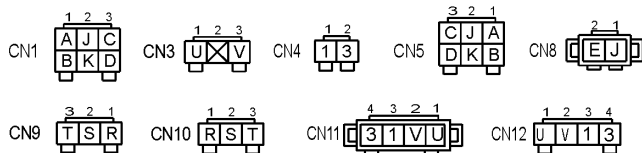


# GENERATOR WIRING DIAGRAM



COLOR CODE			
WIRE COLOR	WIRE COLOR	WIRE COLOR	WIRE COLOR
B	BLACK	R	RED
L	BLUE	W	WHITE
BR	BROWN	Y	YELLOW
G	GREEN	LB	LIGHT BLUE
GR	GRAY	LG	LIGHT GREEN
V	VIOLET	O	ORANGE
P	PINK		

SYMBOL	DESIGNATION
Ar	MAIN GENERATOR ARMATURE WINDING
Fg	MAIN GENERATOR FIELD WINDING
ExAr	EXCITER ARMATURE WINDING
ExFg	EXCITER FIELD WINDING
Re	RECTIFIER
AVR	AUTOMATIC VOLTAGE REGULATOR
VR	VOLTAGE REGULATOR (RHEOSTAT)
CT 1,2	CURRENT TRANSFORMER
AS	CHANGE-OVER SWITCH, AMMETER
A	AC. AMMETER
V	AC. VOLTMETER
F	FREQUENCY METER
CB1	CIRCUIT BREAKER
CB2,3	CIRCUIT BREAKER
CB4,5	CIRCUIT BREAKER
CON1,2	RECEPTACLE
CON3,4	RECEPTACLE
R1	RESISTOR
Re1	RECTIFIER
J, K	RELAY UNIT



### CONNECTER ARRANGEMENT (WIRING VIEW)

Notice:

1. With no designation use KIV1 : 1.25 mm<sup>2</sup> lead of designated color.

# ENGINE WIRING DIAGRAM

