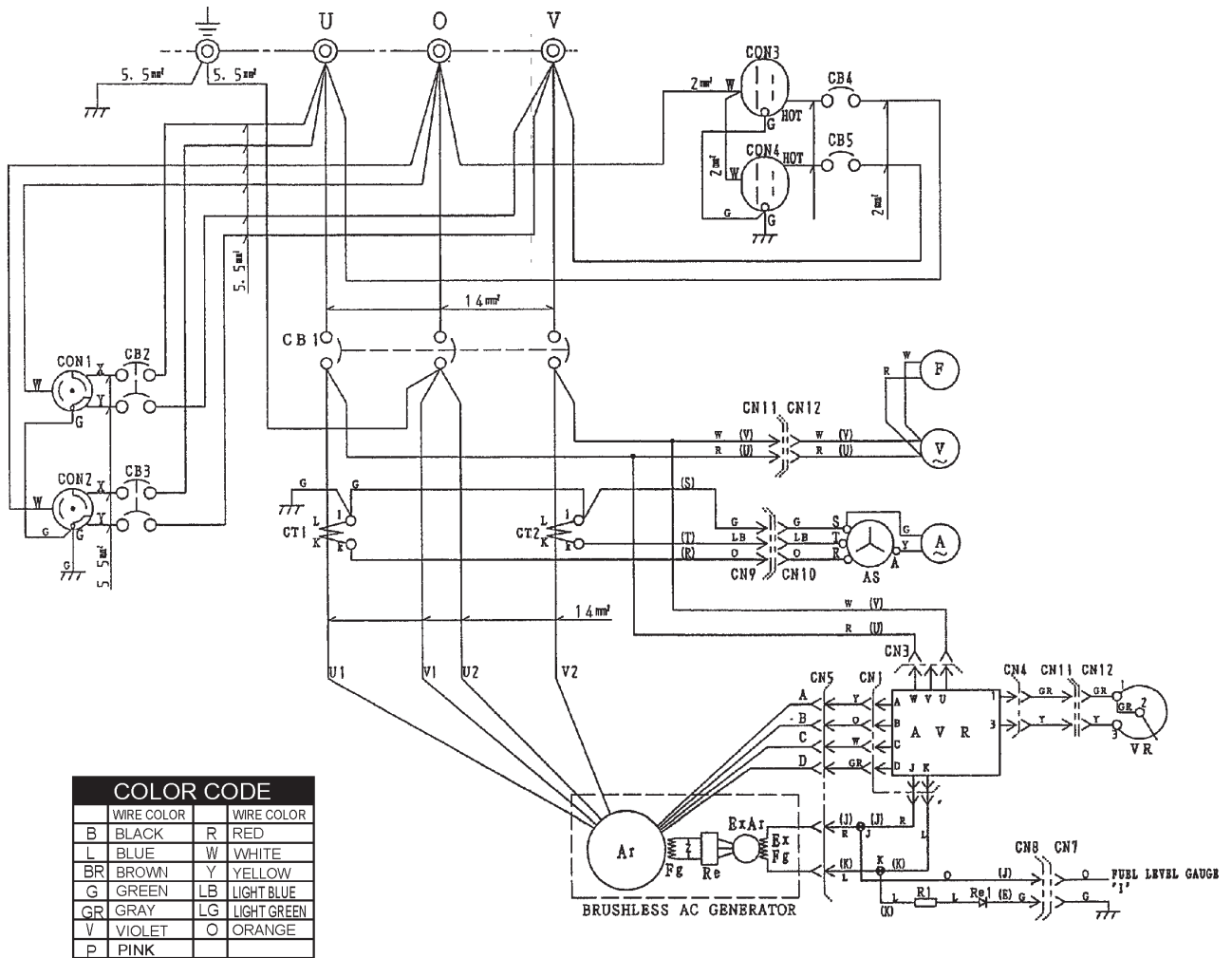


# DCA-20SPX — SPECIFICATIONS

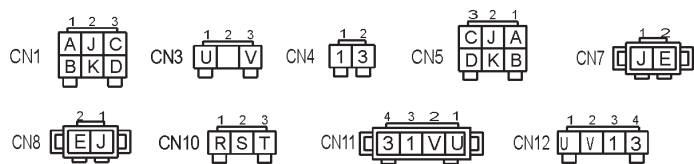
Table 1. Generator Specifications		
<b>Model</b>	<b>DCA-20SPX</b>	
<b>Type</b>	Revolving field, self ventilated, open protected type synchronous generator	
<b>Armature Connection</b>	Series	
<b>Phase</b>	Single Phase 3-Wire	
<b>Standby Output</b>	22 KW (27.5 KVA)	
<b>Prime Output</b>	20 KW (25 KVA)	
<b>Voltage</b>	240V/120	
<b>Frequency</b>	60 Hz	
<b>Speed</b>	1800 rpm	
<b>Power Factor</b>	1.0	
<b>Aux. AC Power</b>	Single Phase, 60 Hz	
<b>Voltage</b>	120 V	
<b>Output</b>	4.8 KW (2.4 KW x 2)	
Table 2. Engine Specifications		
<b>Model</b>	IZUZU AA-4LE2	
<b>Type</b>	4 Cycle, water-cooled, direct injection	
<b>No. of Cylinders</b>	4 cylinders	
<b>Bore x Stroke</b>	3.35 in. x 3.78 in. (85 mm x 96 mm)	
<b>Rated Output</b>	35 HP/1800 rpm	
<b>Displacement</b>	132 cu. in. (2,163 cc)	
<b>Starting</b>	Electric	
<b>Coolant Capacity</b>	1.7 gal. (6.6 liters)	
<b>Lube Oil Capacity</b>	2.24 gal. (8.5 liters)	
<b>Fuel Tank Capacity</b>	17.2 gal. (65 liters)	
<b>Fuel Consumption</b>	1.58 gal. (5.98 L)/hr at <b>full load</b>	1.19 gal. (4.50 L)/hr at <b>3/4 load</b>
	0.87 gal. (3.28 L)/hr at <b>1/2 load</b>	0.58 gal. (2.20 L)/hr at <b>1/4 load</b>
<b>Battery</b>	27 (CCA 0° F 525A) x 1	
<b>Fuel</b>	#2 Diesel Fuel	

# DCA-20SPX — GENERATOR WIRING DIAGRAM



WIRE COLOR		WIRE COLOR	
B	BLACK	R	RED
L	BLUE	W	WHITE
BR	BROWN	Y	YELLOW
G	GREEN	LB	LIGHT BLUE
GR	GRAY	LG	LIGHT GREEN
V	VIOLET	O	ORANGE
P	PINK		

SYMBOL	DESIGNATION
Ar	MAIN GENERATOR ARMATURE WINDING
Fg	MAIN GENERATOR FIELD WINDING
ExAr	EXCITER ARMATURE WINDING
ExFg	EXCITER FIELD WINDING
Re	RECTIFIER
AVR	AUTOMATIC VOLTAGE REGULATOR
VR	VOLTAGE REGULATOR (RHEOSTAT)
CT 1,2	CURRENT TRANSFORMER
AS	CHANGE-OVER SWITCH, AMMETER
A	AC AMMETER
V	AC VOLT METER
F	FREQUENCY METER
CB1	CIRCUIT BREAKER
CB2,3	CIRCUIT BREAKER
CB4,5	CIRCUIT BREAKER
CON1, 2	RECEPTACLE
CON3,4	RECEPTACLE
R1	RESISTOR
Re1	RECTIFIER
J, K	RELAY UNIT



### CONNECTER ARRANGEMENT (WIRING VIEW)

Notice:

1. With no designation use K1V1 : 1.25 mm<sup>2</sup> lead of designated color.

Figure 48. Generator Wiring Diagram

# DCA-20SPX — ENGINE WIRING DIAGRAM

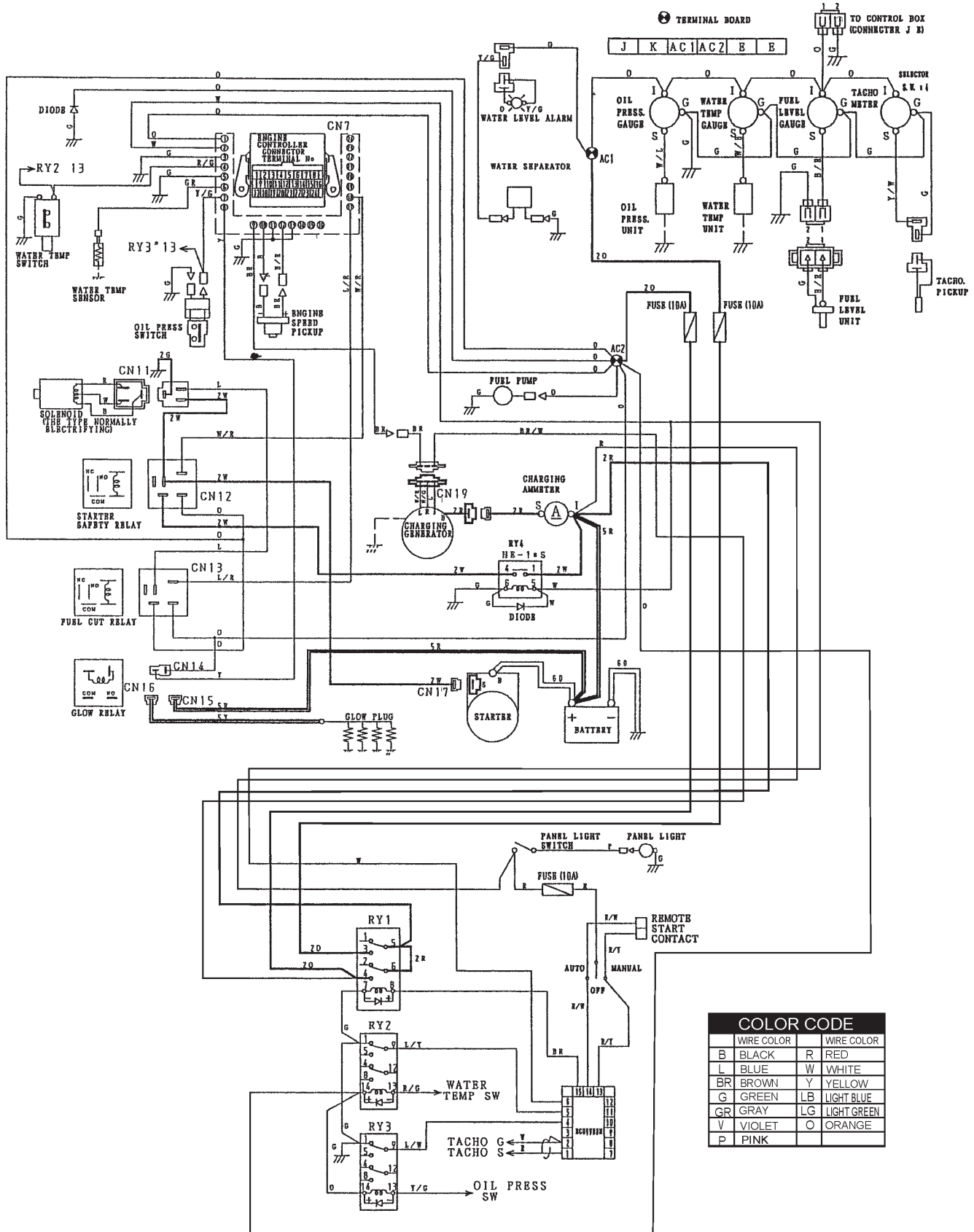


Figure 49. Engine Wiring Diagram