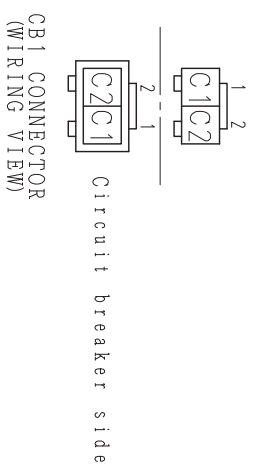
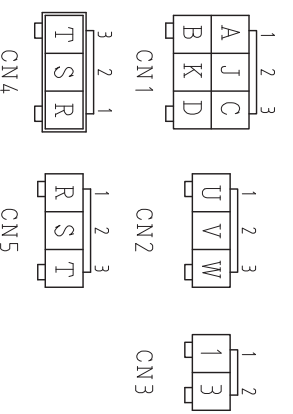


TO T. B. 2'B2'
ENGINE WIRING
DIAGRAM



MARK	N A M E
A r	MAIN GENERATOR ARMATURE WINDING
F g	MAIN GENERATOR FIELD WINDING
E x A r	EXCITER ARMATURE WINDING
E x F g	EXCITER FIELD WINDING
AVR	AUTOMATIC VOLTAGE REGULATOR
VR	VOLTAGE REGULATING RHEOSTAT
Re	RECTIFIER
CT1~3	CURRENT TRANSFORMER 400:5A
CT4,5	CURRENT TRANSFORMER 400:5A
CB1	CIRCUIT BREAKER 3P 600A
OC	OVER CURRENT RELAY
COT. B	VOLTAGE CHANGE-OVER BOARD
AS	AMMETER CHANGE-OVER SWITCH
A	AC. AMMETER 0~400, 800A
VS	VOLTMETER CHANGE-OVER SWITCH
V	AC. VOLTMETER 0~600V
F	FREQUENCY METER 45~65Hz
CB2, 3	AUX. CIRCUIT BREAKER 1P 20A
CB4~6	AUX. CIRCUIT BREAKER 2P 50A
CON1, 2	AUX. POWER RECEPTACLE 20A
CON3~5	AUX. POWER RECEPTACLE 50A

CT 4, 5	Written mark at CT
k	X1
l	No mark
K	H1
L	No mark



Control box side
CONNECTOR
(WIRING VIEW)

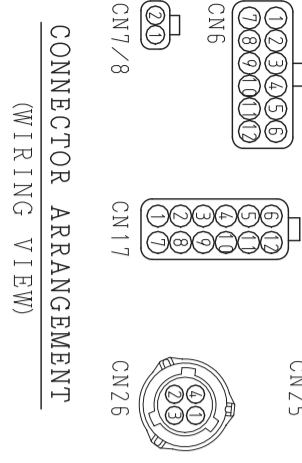
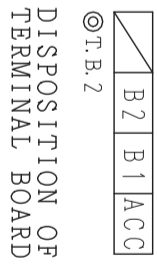
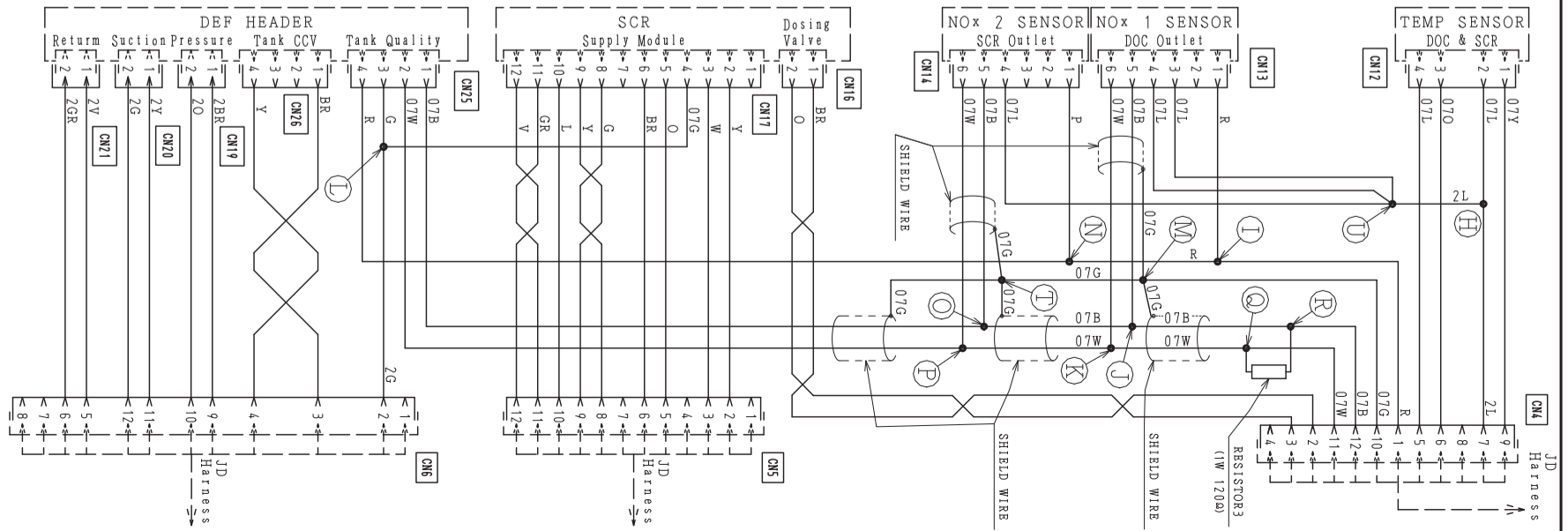
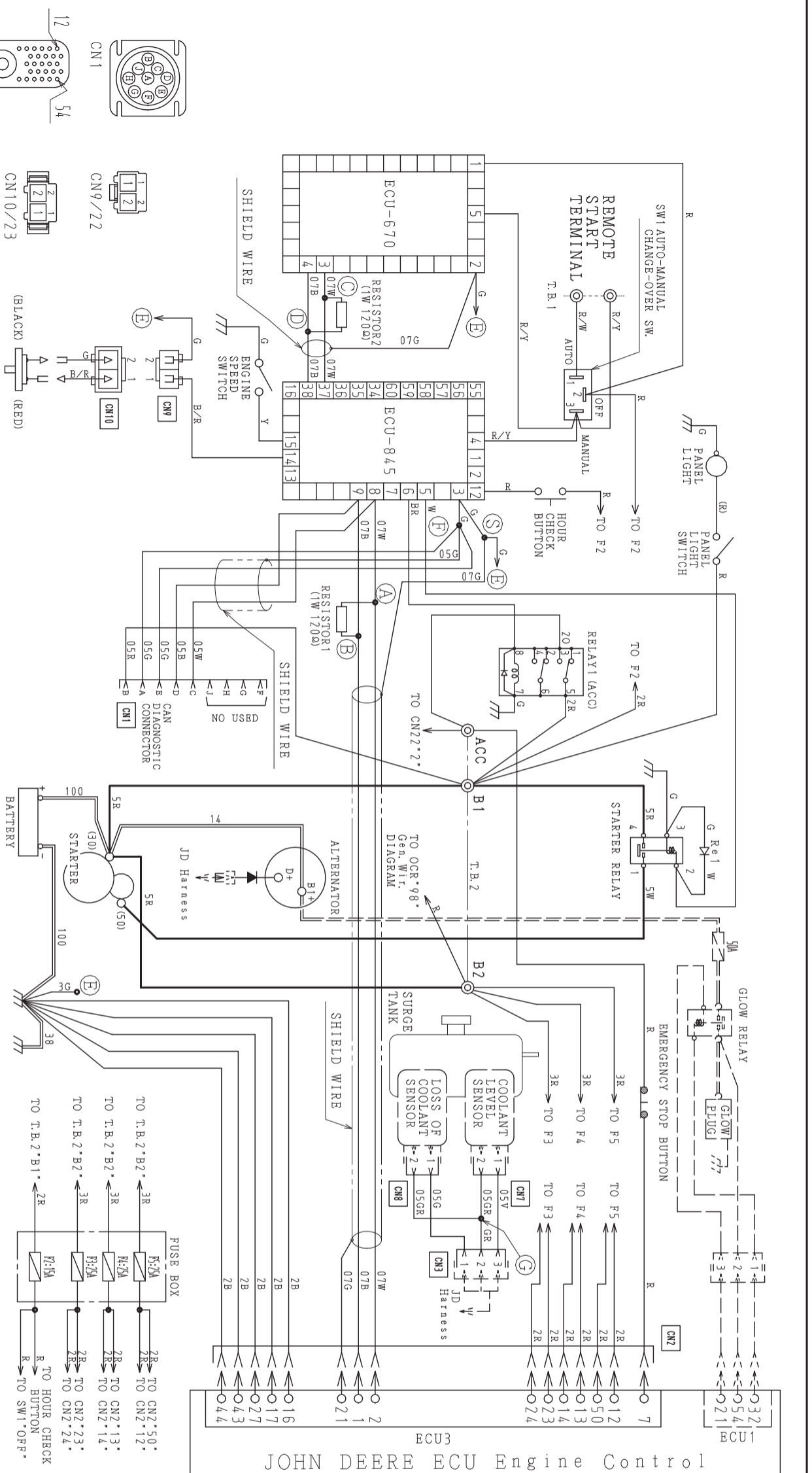
Control panel side
CONNECTOR
(WIRING VIEW)

BRUSHLESS AC GENERATOR

COT. B
240V set.

COT. B
480V set.

DCA220SSJU4F2 GENERATOR WIRING DIAGRAM



DCA220SSJUF42 ENGINE WIRING DIAGRAM