

PARTS MANUAL



WHISPERWATT™ SERIES MODEL DCA25ESI 60 Hz GENERATOR (ISUZU AA-4LE2 DIESEL ENGINE)

PARTS LIST NO. B1871301304E

Revision #0 (04/02/26)

To find the latest revision of this publication or associated operation manual, visit our website at: www.mqpower.com



TABLE OF CONTENTS

DCA-25ESI 60 Hz Generator

Explanation Of Code In Remarks Column..... 4
Suggested Spare Parts 5
Generator Assembly 6-7
Control Panel Assembly 8-9
Electric Parts Assembly 10-13
Output Terminal Assembly 14-15
Engine And Radiator Assembly 16-19
Throttle Assembly 20-21
Battery Assembly 22-23
Muffler Assembly 24-25
Fuel Tank Assembly 26-27
Enclosure Assembly 28-31
Rubber Seals Assembly 32-33
Nameplate And Decals Assembly..... 34-37

DISCLAIMER:
Product features, descriptions, and specifications are based on published information at the time of publication and are subject to change at any time without notice. Multiquip Inc. and its affiliates reserve the right to change specifications, features, design, and descriptions of products at any time without notice.

EXPLANATION OF CODE IN REMARKS COLUMN

The following section explains the different symbols and remarks used in the Parts section of this manual. Use the help numbers found on the back page of the manual if there are any questions.

NOTICE

The contents and part numbers listed in the parts section are subject to change without notice. Multiquip does not guarantee the availability of the parts listed.

SAMPLE PARTS LIST

NO.	PART NO.	PART NAME	QTY.	REMARKS
1	12345	BOLT	1	INCLUDES ITEMS W/%
2%		WASHER, 1/4 IN.		NOT SOLD SEPARATELY
2%	12347	WASHER, 3/8 IN. ...	1	MQ-45T ONLY
3	12348	HOSE	A/R	MAKE LOCALLY
4	12349	BEARING	1	S/N 2345B AND ABOVE

NO. Column

Unique Symbols — All items with same unique symbol (@, #, +, %, or >) in the number column belong to the same assembly or kit, which is indicated by a note in the “Remarks” column.

Duplicate Item Numbers — Duplicate numbers indicate multiple part numbers, which are in effect for the same general item, such as different size saw blade guards in use or a part that has been updated on newer versions of the same machine.

NOTICE

When ordering a part that has more than one item number listed, check the remarks column for help in determining the proper part to order.

PART NO. Column

Numbers Used — Part numbers can be indicated by a number, a blank entry, or TBD.

TBD (To Be Determined) is generally used to show a part that has not been assigned a formal part number at the time of publication.

A blank entry generally indicates that the item is not sold separately or is not sold by Multiquip. Other entries will be clarified in the “Remarks” Column.

QTY. Column

Numbers Used — Item quantity can be indicated by a number, a blank entry, or A/R.

A/R (As Required) is generally used for hoses or other parts that are sold in bulk and cut to length.

A blank entry generally indicates that the item is not sold separately. Other entries will be clarified in the “Remarks” Column.

REMARKS Column

Some of the most common notes found in the “Remarks” Column are listed below. Other additional notes needed to describe the item can also be shown.

Assembly/Kit — All items on the parts list with the same unique symbol will be included when this item is purchased.

Indicated by:

“INCLUDES ITEMS W/(unique symbol)”

Serial Number Break — Used to list an effective serial number range where a particular part is used.

Indicated by:

“S/N XXXXX AND BELOW”

“S/N XXXX AND ABOVE”

“S/N XXXX TO S/N XXX”

Specific Model Number Use — Indicates that the part is used only with the specific model number or model number variant listed. It can also be used to show a part is NOT used on a specific model or model number variant.

Indicated by:

“XXXXX ONLY”

“NOT USED ON XXXX”

“Make/Obtain Locally” — Indicates that the part can be purchased at any hardware shop or made out of available items. Examples include battery cables, shims, and certain washers and nuts.

“Not Sold Separately” — Indicates that an item cannot be purchased as a separate item and is either part of an assembly/kit that can be purchased, or is not available for sale through Multiquip.

SUGGESTED SPARE PARTS

DCA25ESI WHISPERWATT GENERATOR WITH ISUZU AA-4LE2 DIESEL ENGINE

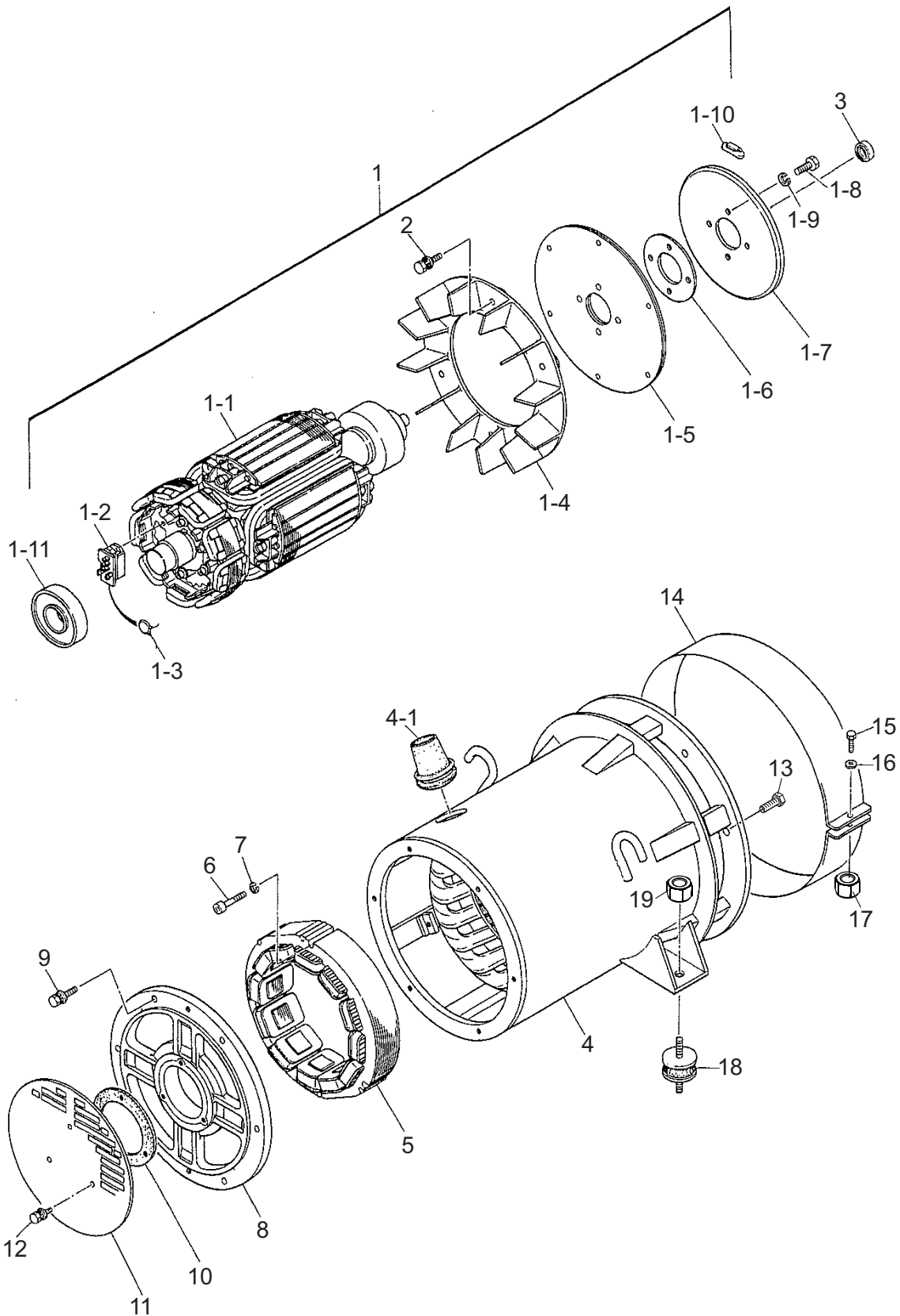
1 TO 3 UNITS

Qty.	P/N	Description
6.....	.8943142633.....	CARTRIDGE, OIL FILTER
3.....	.0602046611.....	ELEMENT AIR FILTER
6.....	.8980374810.....	ELEMENT, FUEL FILTER (MAIN)
6.....	.0810105400.....	FUEL FILTER (TANK)
1.....	.0845500104.....	CAP, FUEL TANK
1.....	.0601806642.....	FUSE, 5A
3.....	.Y0601806645.....	FUSE, 20A
2.....	.Y0601806647.....	FUSE, 25A
1.....	.Y0601806640.....	FUSE, 65A
2.....	.0601810213.....	BULB, LAMP

NOTICE

Part number on this Suggested Spare Parts list may supersede/replace the P/N shown in the text pages of this book.

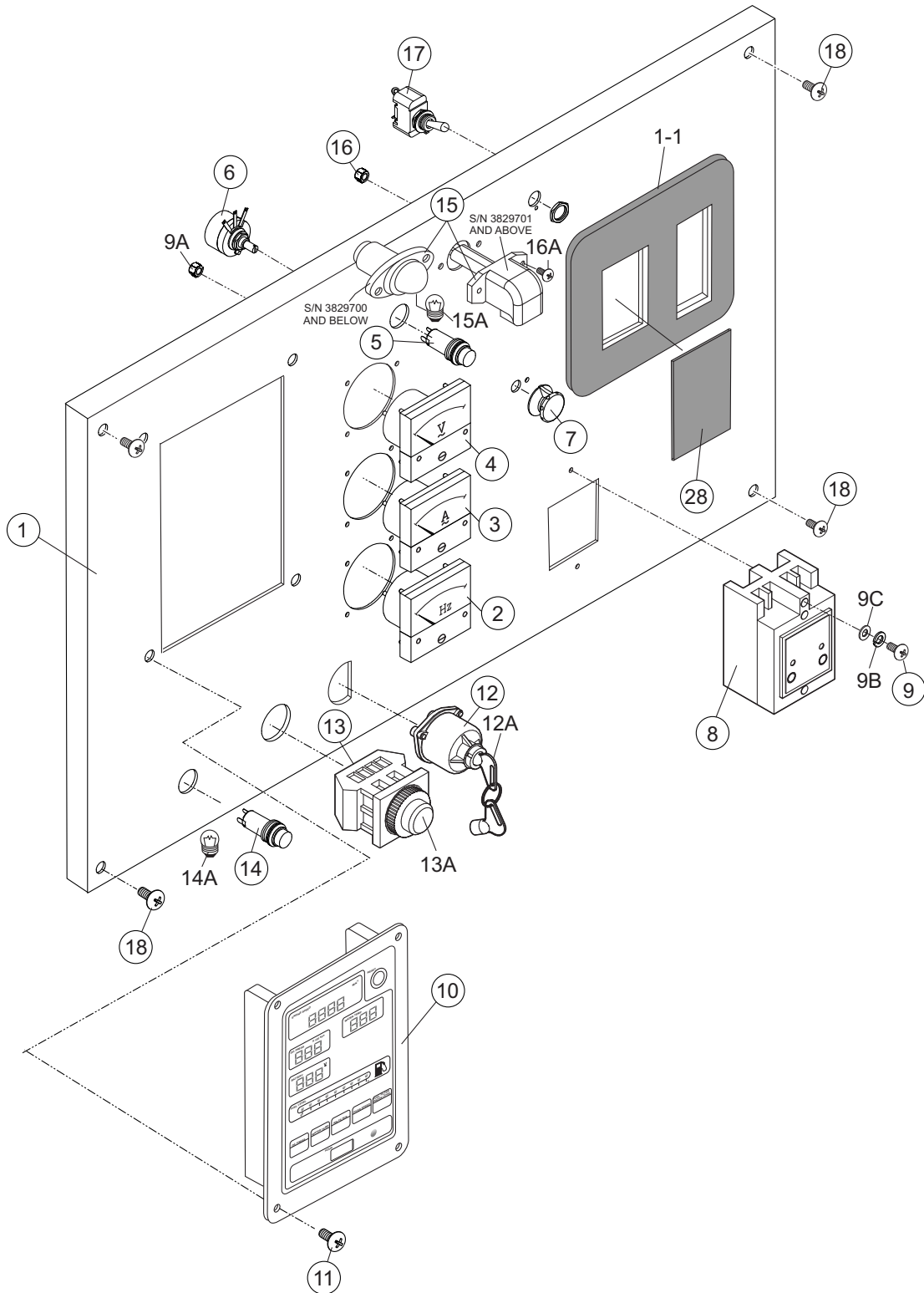
GENERATOR ASSY.



GENERATOR ASSY.

<u>NO.</u>	<u>PART NO.</u>	<u>PART NAME</u>	<u>QTY.</u>	<u>REMARKS</u>
1	B1110200602	ROTOR ASSY.....	1.....	INCLUDES ITEMS W/#
1-1#		FIELD ASSEMBLY	1	
1-2#	7961025004	RECTIFIER	1	
1-3#	0601822630	SURGE ABSORBER	1	
1-4#	8001070003	FAN	1	
1-5#	8351611004	COUPLING DISK	2	
1-6#	8351612004	WASHER, COUPLING HUB	1	
1-7#	B1112300003	BALANCING PLATE.....	1.....	PURCHASE SET OF 1-10
1-8#	0105091025	HEX HEAD BOLT.....	4.....	REPLACES P/N 0010310025
1-9#	030210250	WASHER, LOCK.....	4.....	REPLACES P/N 0042510000
1-10#	0601000209	BALANCING WEIGHT KIT	1	
1-11#	042006308	BEARING, 63082NSL.....	1.....	REPLACES P/N 0071906308
2#	0012308035	HEX HEAD BOLT	6	
3#	0070506803	BEARING, 6803ZZ	1	
4	B1130200813	STATOR ASSEMBLY	1	
4-1	0845041904	GROMMET	1	
5	8351350103A	FIELD ASSEMBLY EXCITER.....	1.....	REPLACES P/N 8431350003
6	0016008045	HEX SOCKET HEAD CAP SCREW	3	
7	0042508000	WASHER, LOCK	3	
8	8351315003	END BRACKET	1	
9	0017108035	HEX HEAD BOLT	6	
10	8351312004	PACKING	1	
11	8351331004	COVER, SUCTION	1	
12	0017106016	HEX HEAD BOLT KIT (3 PC)	3	
13	0012310030	HEX HEAD BOLT	6	
14	B0155400204	COVER, FAN	1	
15	0340406040	HEX HEAD BOLT	1	
16	952404470	WASHER, FLAT.....	1.....	REPLACES P/N 0041206000
17	020106050	NUT, HEX.....	1.....	REPLACES P/N 0600815000
18	7605419004A	RUBBER SUSPENSION.....	2.....	REPLACES P/N 7605419004
19	021112140	NUT, NYLON LOCK.....	2.....	REPLACES P/N 0207010000

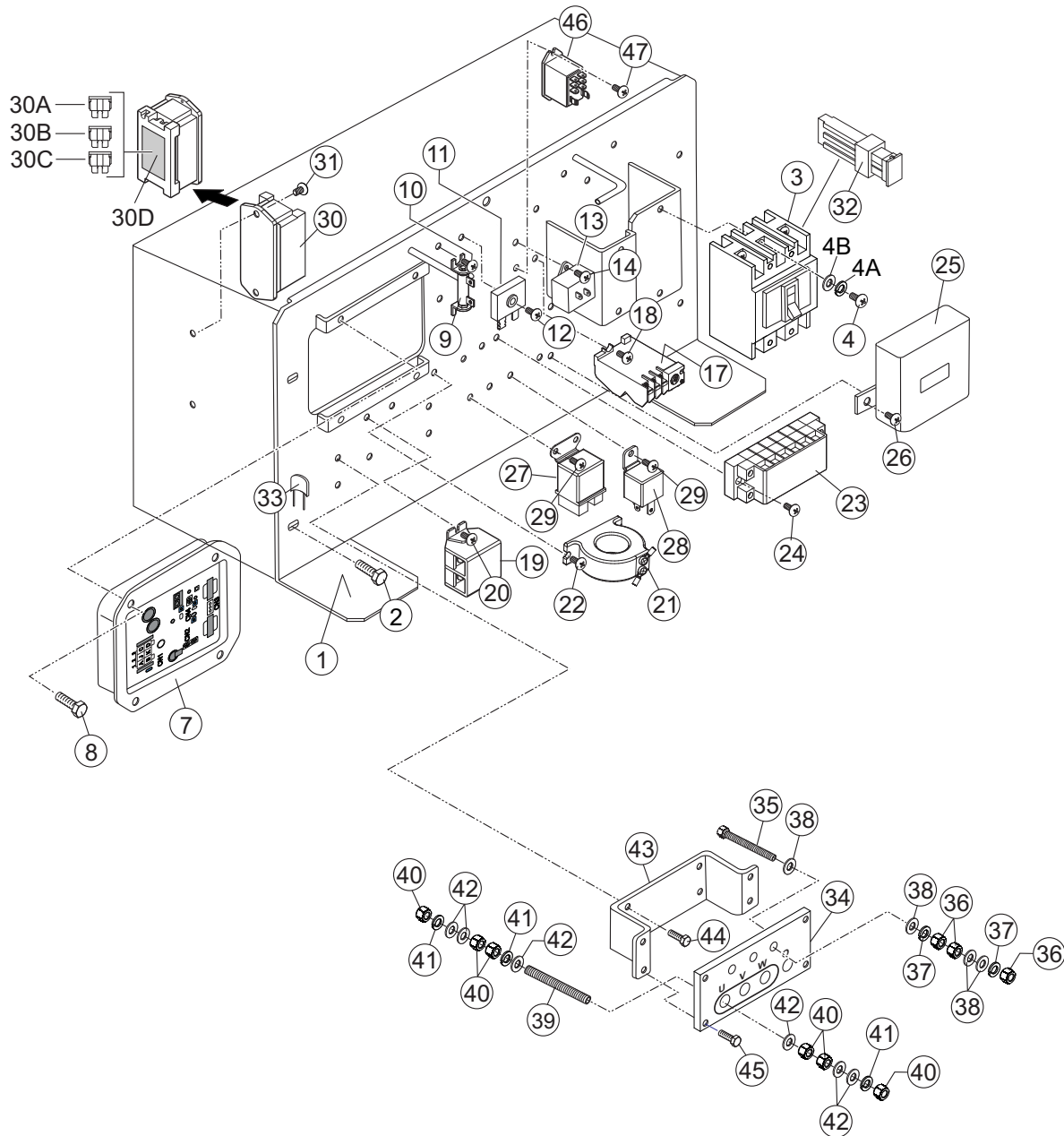
CONTROL PANEL ASSY.



CONTROL PANEL ASSY.

<u>NO.</u>	<u>PART NO.</u>	<u>PART NAME</u>	<u>QTY.</u>	<u>REMARKS</u>
1	B1225001003	CONTROL PANEL	1	
1-1	B1492400104	RUBBER SEAL	1	
2	0601807621	METER, FREQUENCY 220V 45~65HZ	1	
3	Y0601806971	AC AMMETER, 0~50/100A	1	
4	Y0601806885	AC VOLTMETER, 0~600V	1	
5	Y0601810550	PILOT LAMP, 200V	1	
6	0601840073	RHEOSTAT (VOLT. REG.) 2W 1kΩ	1	
7	0601840100	KNOB.....	1.....	REPLACES P/N 0601840121
8	Y0601822416	EARTH LEAKAGE RELAY, 30mA	1	
9	Y0021004065	MACHINE SCREW	2	
9A	OEMAA8	NUT, HEX 4MM.....	2.....	REPLACES P/N 0030004000
9B	0040004000	WASHER, LOCK	2	
9C	58042	WASHER, FLAT.....	2.....	REPLACES P/N 0041204000
10	0602120580	INDICATOR PANEL ASSEMBLY, DC12V.....	1.....	S/N 3896446 AND BELOW
10	Y0602120570	INDICATOR PANEL ASSEMBLY, DC12V.....	1.....	S/N 3896447 AND ABOVE
11	0021805016	MACHINE SCREW	4	
12	8970444180	SWITCH ASSEMBLY, STARTER.....	1.....	REPLACES P/N 0602100009
12A	8944024980	KEY, IGNITION.....	1.....	REPLACES P/N 1823160070
13	0601830447	STOP BUTTON, EMERGENCY	1	
13A	0601832021	CAP	1	
14	0602103092	LAMP, ALARM CHARGE RED	1	
14A	0601810245	BULB, DC 15V	1	
15	0601810160	PANEL LIGHT.....	1.....	S/N 3829700 AND BELOW
15	Y0601810170	PANEL LIGHT.....	1.....	S/N 3829701 AND ABOVE
15A	0601810213	BULB.....	1.....	S/N 3829700 AND BELOW
16	OEMAA8	NUT, HEX 4MM.....	2.....	REPLACES P/N 0207004000
16A	0027104020	MACHINE SCREW.....	2.....	S/N 3829701 AND ABOVE
17	Y0601830710	SWITCH, PANEL LIGHT	1	
18	0021506030	MACHINE SCREW 6 X 30MM.....	4.....	REPLACES P/N 0021806030
28	B1225200004	COVER	1	

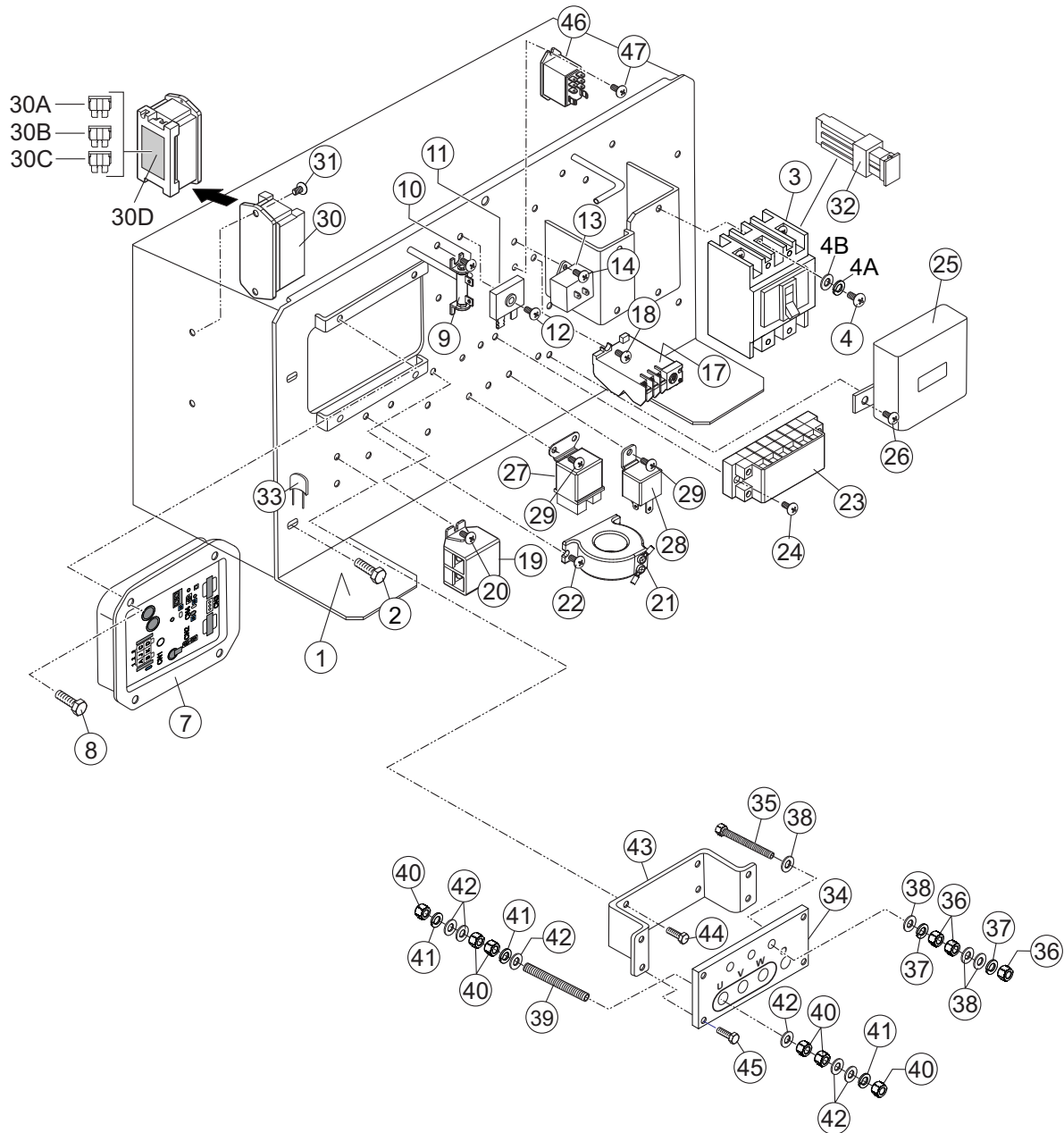
ELECTRIC PARTS ASSY.



ELECTRIC PARTS ASSY.

<u>NO.</u>	<u>PART NO.</u>	<u>PART NAME</u>	<u>QTY.</u>	<u>REMARKS</u>
1	B1262500513	SET PANEL, ELECTRIC PARTS	1.....	S/N 3789662 AND BELOW
1	B1261502603	SET PANEL, ELECTRIC PARTS	1.....	S/N 3789663 AND ABOVE
2	011008020	HEX HEAD BOLT KIT 8 X 20.....	4.....	REPLACES P/N 0016908020
3	Y0601805068	CIRCUIT BREAKER	1	
4	0021004040	MACHINE SCREW	2	
4A	0040004000	WASHER, LOCK	2	
4B	0042104000	WASHER, FLAT	2	
7	0601820660	AUTOMATIC VOLTAGE REGULATOR	1	
8	0017105016	HEX HEAD BOLT 5 X 16	4	
9	0601842384	RESISTOR, 20W 50Ω	1	
10	7538070	MACHINE SCREW	2.....	REPLACES P/N 0027104016
11	0601821370	RECTIFIER	2	
12	0027105035	MACHINE SCREW	1	
13	Y0601820109	CONDENSER, 400VAC 2μF	1	
14	7538070	MACHINE SCREW.....	1.....	REPLACES P/N 0027104016
17	Y0601820891	RELAY, OVER CURRENT	1	
18	7538070	MACHINE SCREW	2.....	REPLACES P/N 0027104016
19	Y0601815943	TERMINAL BOARD	1	
20	0027105016	MACHINE SCREW	2	
21	0601801122	TRANSFORMER, CURRENT 100/5A	1	
22	0027105016	MACHINE SCREW	2	
23	0601815759	TERMINAL BOARD	1	
24	0027104020	MACHINE SCREW	2	
25	8973259120	CONTROL UNIT, ENGINE.....	1.....	REPLACES P/N 0602202523
26	0017106016	HEX HEAD BOLT KIT 6 X 16 (3 PC.)	2	
27	8944001061	RELAY, GLOW PLUG	1.....	REPLACES P/N 8942481610
28	5825500290	RELAY ASSEMBLY, BLOWER	2.....	REPLACES P/N 0602201400
29	0017106016	HEX HEAD BOLT KIT 6 X 16 (3 PC.)	4	
30	B1215600104	FUSE BOX	1	
30A	0601806642	FUSE, 5A	4	
30B	Y0601806645	FUSE, 20A	3	
30C	Y0601806647	FUSE, 25A	2	
30D	B1552001404	DECAL	1.....	B15200140A
31	0027105016	MACHINE SCREW	2	
32	Y0601806640	FUSE, 65A	1	
33	Y0601826154	CONDENSER, 2.2μF 50VDC	1	
34	W8011861114	SET BOARD, CHANGE TERMINAL	1	
35	0010106040	HEX HEAD BOLT	3	

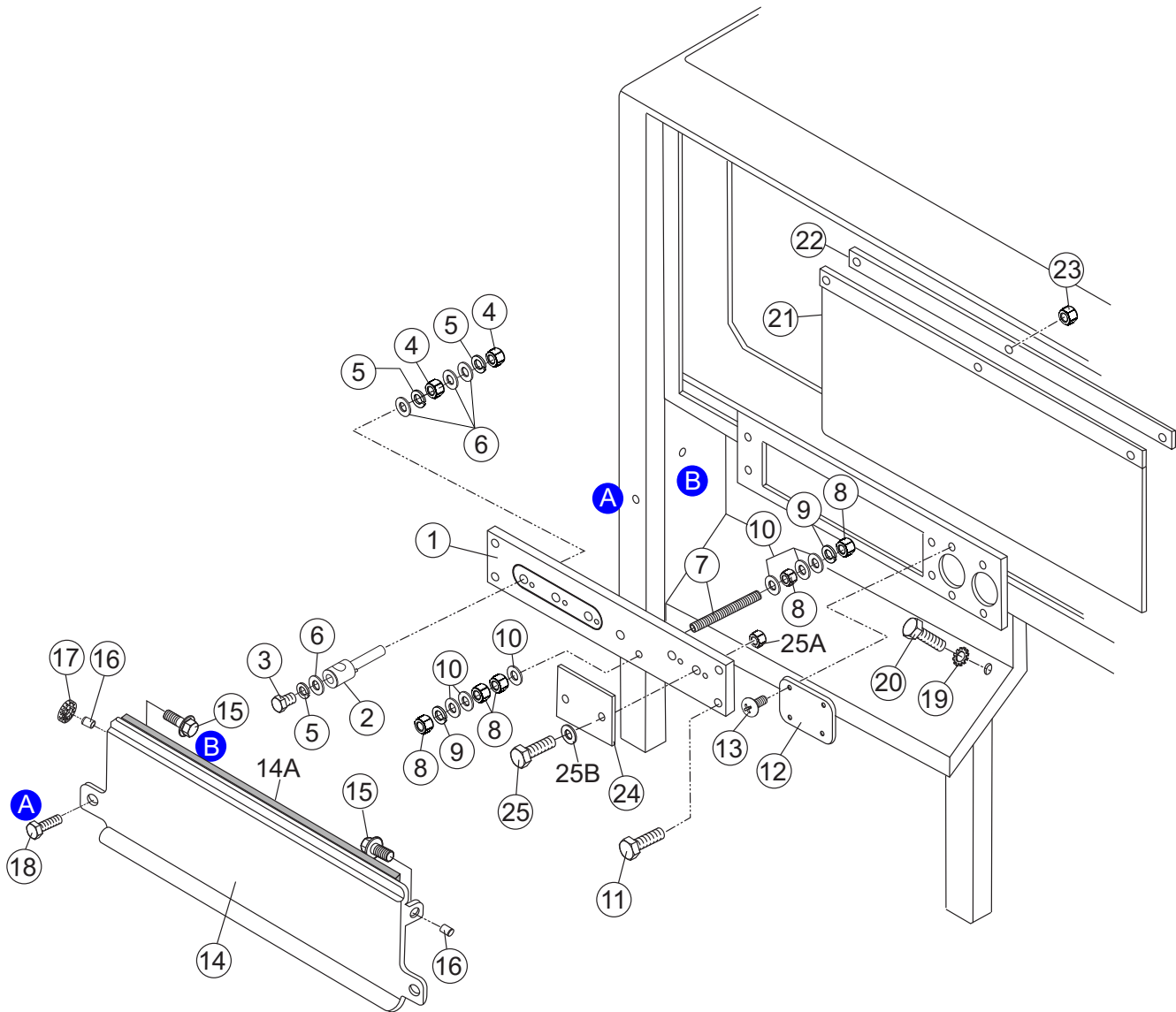
ELECTRIC PARTS ASSY. (CONT'D.)



ELECTRIC PARTS ASSY. (CONT'D.)

<u>NO.</u>	<u>PART NO.</u>	<u>PART NAME</u>	<u>QTY.</u>	<u>REMARKS</u>
36	020106050	NUT, HEX.....	9.....	REPLACES P/N 0030006000
37	0040006000	WASHER, LOCK	6	
38	952404470	WASHER, FLAT	12.....	REPLACES P/N 0041206000
39	0801832304	SCREW, TERMINAL	4	
40	0039306000	NUT, HEX	24	
41	0040006000	WASHER, LOCK	12	
42	0041406000	WASHER, FLAT	24	
43	B1262501104	BRACKET	2	
44	0017106016	HEX HEAD BOLT KIT 6 X 16 (3 PC.)	4	
45	0017105025	HEX HEAD BOLT	4	
46	Y0601824543	RELAY, DC12V	1.....	S/N 3896447 AND ABOVE
47	0027103010	MACHINE SCREW	2.....	S/N 3896447 AND ABOVE

OUTPUT TERMINAL ASSY.



ADD THE FOLLOWING DIGITS AFTER THE PART NUMBER WHEN ORDERING ANY PAINTED PANEL TO INDICATE COLOR OF UNIT:

- | | |
|-----------------|----------------------|
| 1-ORANGE | 6-CATERPILLAR YELLOW |
| 2-WHITE | 7-CATO GOLD |
| 3-SPECTRUM GREY | 8-RED |
| 4-SUNBELT GREEN | 9-DESERT TAN |

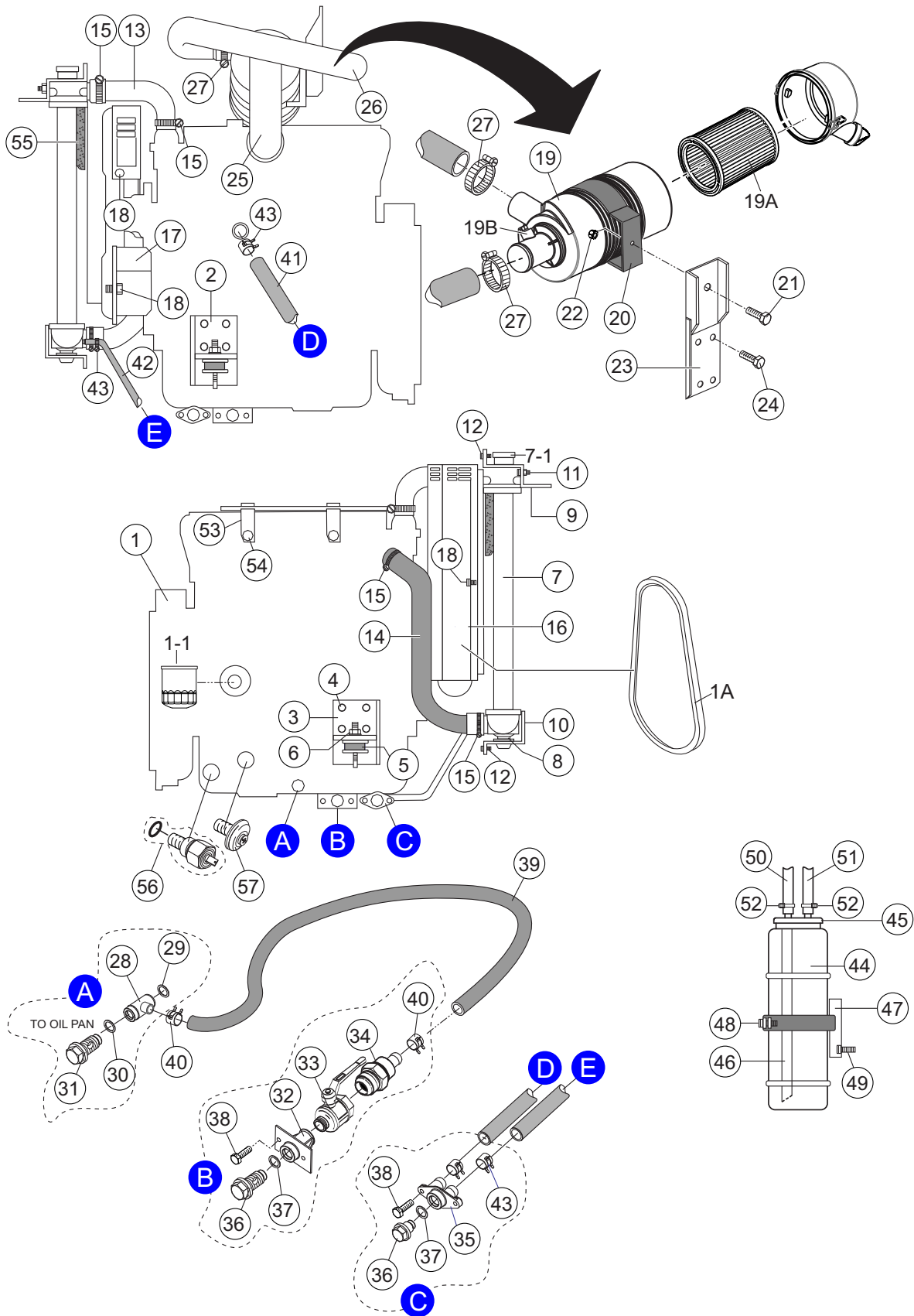
5-BLACK

THE SERIAL NUMBER MAY BE REQUIRED.

OUTPUT TERMINAL ASSY.

<u>NO.</u>	<u>PART NO.</u>	<u>PART NAME</u>	<u>QTY.</u>	<u>REMARKS</u>
1	8351860103	SET BOARD, OUTPUT TERMINAL	1	
2	0840312704	BOLT, OUTPUT TERMINAL	4	
3	0801030604	HEX HEAD BOLT	4	
4	0039308000	NUT, HEX	8	
5	0040008000	WASHER, LOCK	12	
6	0041408000	WASHER, FLAT	16	
7	0801832304	SCREW, TERMINAL	1	
8	0039306000	NUT, HEX	5	
9	0040006000	WASHER, LOCK	2	
10	0041406000	WASHER, FLAT	6	
11	011206020	SCREW, HEX HEAD	4	REPLACES P/N 0017106020
12	B1445800404	COVER	1	
13	0027104012	SCREW, MACHINE	4	
14	B1238100623	COVER, OUTPUT TERMINAL	1	
14A	B1235400104	RUBBER SHEET	1	
15	011606025	HEX HEAD BOLT	2	REPLACES P/N 0017106025
16	0821800014	COLLAR	2	
17	0805088004	WASHER, RUBBER	1	
18	0011008020	HEX HEAD BOLT	2	REPLACES P/N 0017108020
19	0040508000	TOOTHED WASHER	1	
20	Y0019208035	HEX HEAD BOLT	1	
21	B1262700204	FLEXIBLE COVER	1	
22	B1262800104	SET PLATE, FLEXIBLE COVER	1	
23	Y0207006000	NUT, SELF-LOCKING	3	
24	B1484400004	COVER	1	
25	011208025	HEX HEAD BOLT	2	REPLACES P/N 0017108025
25A	020108060	NUT, HEX	2	REPLACES P/N 0030008000
25B	0401450080	WASHER, FLAT	2	REPLACES P/N 0041208000

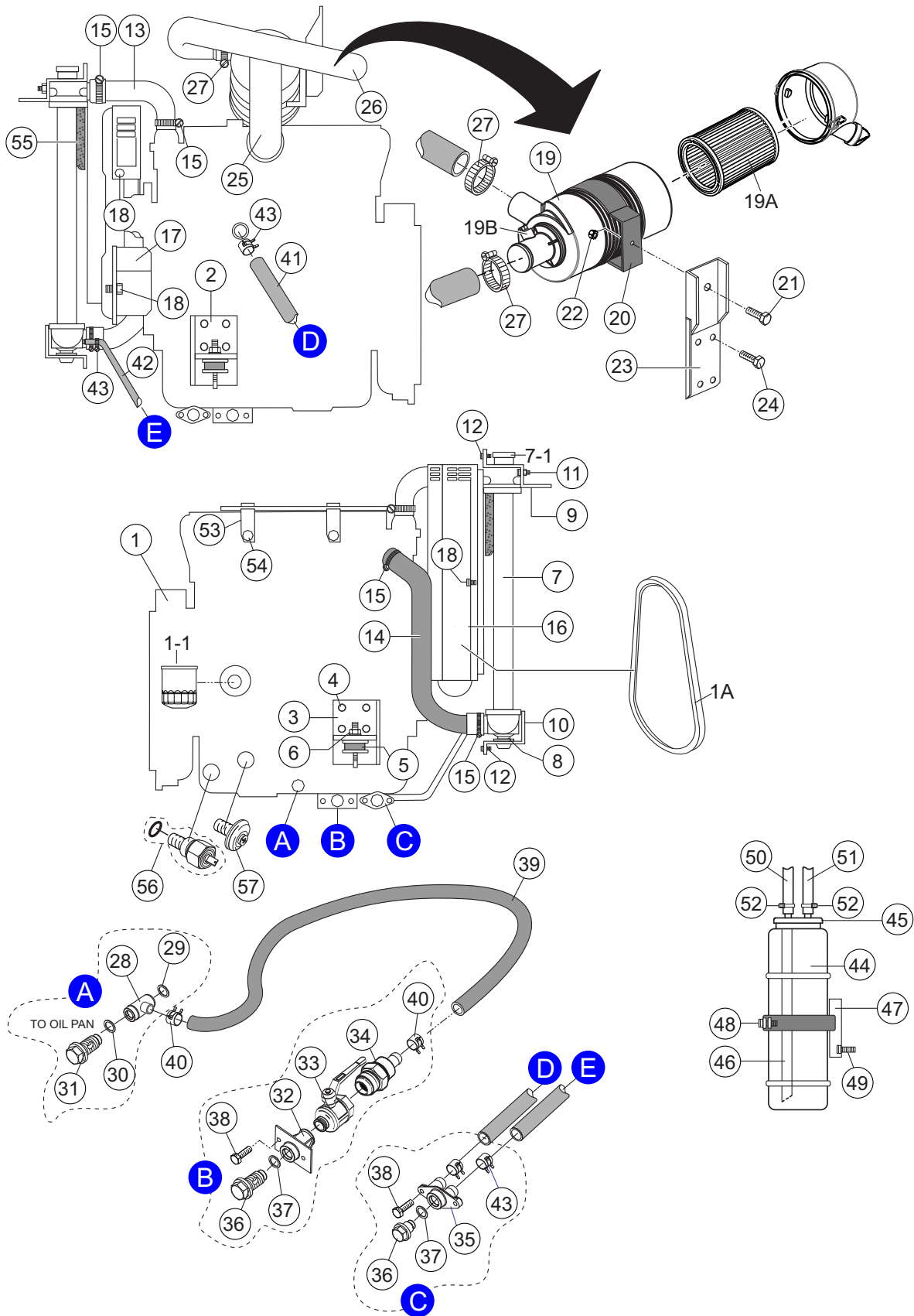
ENGINE AND RADIATOR ASSY.



ENGINE AND RADIATOR ASSY.

<u>NO.</u>	<u>PART NO.</u>	<u>PART NAME</u>	<u>QTY.</u>	<u>REMARKS</u>
1	B1925200194	ENGINE, ISUZU AA-4LE2	1	
1A	8972606490	V-BELT COOLING FAN	1	REPLACES P/N 8972249990
1-1	8943142633	CARTRIDGE, OIL FILTER	1	REPLACES P/N 8944567411
2	B1304200114	ENGINE FOOT	1	
3	B1304200014	ENGINE FOOT	1	
4	0012210025	HEX HEAD BOLT.....	8	REPLACES P/N 0012310025
5	0605000066	RUBBER SUSPENSION	2	
6	021112140	NUT, HEX.....	2	REPLACES P/N 0207010000
7	M1923200094	RADIATOR.....	1	REPLACES P/N 0602012776
7-1	0602011079	CAP, RADIATOR	1	
8	B1312600004	RUBBER MOUNT	2	
9	B1312100623	BRACKET, RADIATOR	1	
10	B1312100923B	BRACKET, RADIATOR	1	REPLACES P/N B1312100923
11	0017108035	HEX HEAD BOLT	2	
12	011008020	HEX HEAD BOLT.....	5	REPLACES P/N 0017108020
13	B1312500403	HOSE, RADIATOR	1	
14	B1312500503	HOSE, RADIATOR	1	
15	0605515136	BAND, HOSE	4	
16	B1312200513	GUARD, FAN	1	
17	B1312200614	GUARD, FAN	1	
18	011008020	HEX HEAD BOLT.....	7	REPLACES P/N 0017108020
19	0602046528	AIR CLEANER	1	
19A	0602046611	FILTER, AIR (OUTER), P821575	1	
19B	0602040679	SENSOR, DUST, REX018171	1	
20	B1375200003	BRACKET, AIR CLEANER	1	
21	0017108035	HEX HEAD BOLT	1	
22	020108060	NUT, HEX.....	1	REPLACES P/N 0207008000
23	B1375200114	BRACKET, AIR CLEANER	1	
24	011008020	HEX HEAD BOLT.....	4	REPLACES P/N 0017108020
25	B1375101304	HOSE, AIR CLEANER	1	
26	B1375100613	HOSE, AIR CLEANER	1	
27	0605515010	BAND, HOSE	3	
28	0805010004	JOINT, DRAIN	1	
29	0805013704	PACKING, OIL PAN SIDE	1	
30	0602021194	PACKING	1	
31	0805006204	BOLT, JOINT	1	
32	B1368701103	JOINT, DRAIN	1	
33	0603325013	VALVE	1	
34	0602022292	JOINT, HOSE	1	
35	1622014103	JOINT, DRAIN	1	

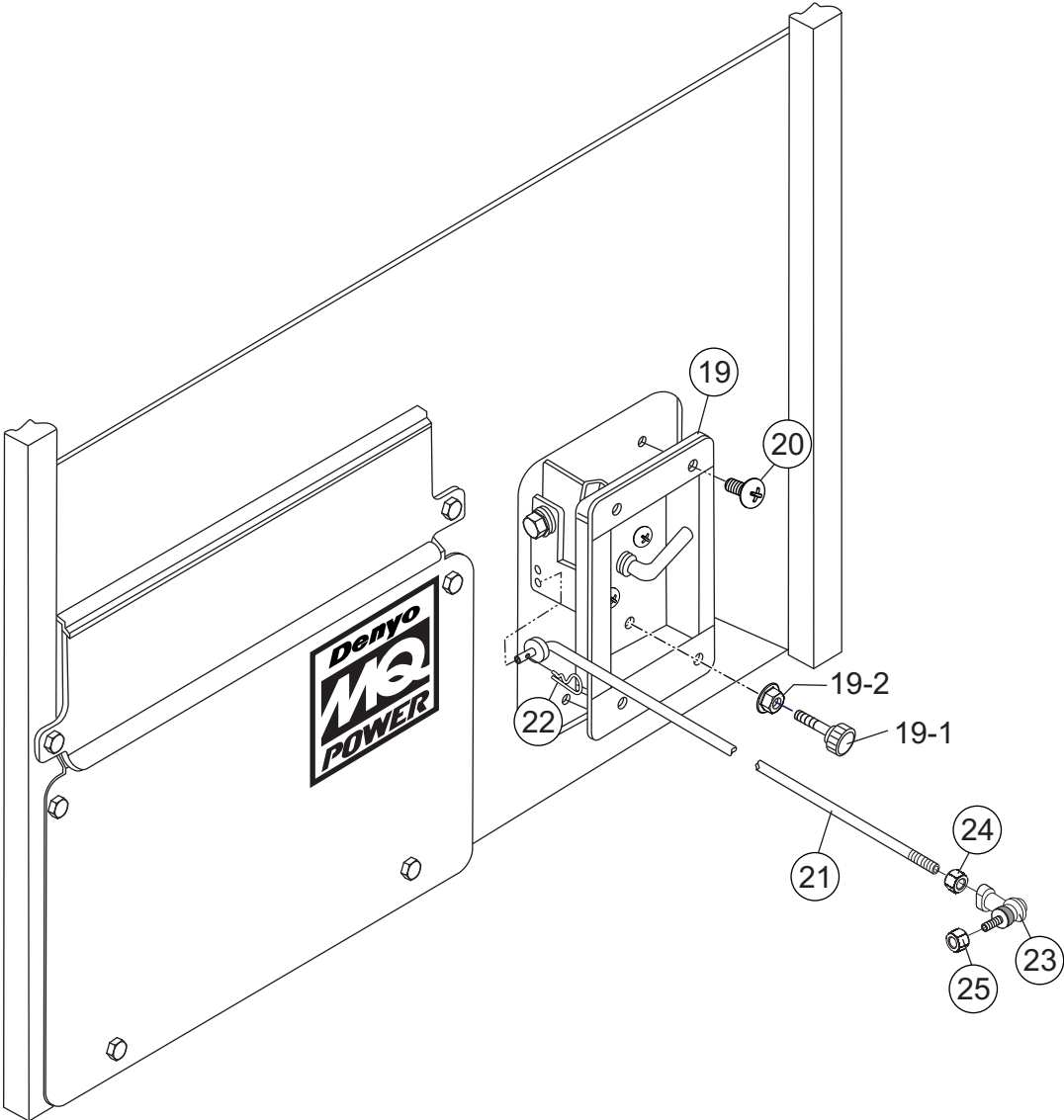
ENGINE AND RADIATOR ASSY. (CONT'D.)



ENGINE AND RADIATOR ASSY. (CONT'D.)

<u>NO.</u>	<u>PART NO.</u>	<u>PART NAME</u>	<u>QTY.</u>	<u>REMARKS</u>
36	0802011104	PLUG, DRAIN	2	
37	0150000018	O-RING, P18	2	
38	011206020	HEX HEAD BOLT.....	4	REPLACES P/N 0016906020
39	0265700320	HOSE, DRAIN	1	
40	0605515073	BAND, HOSE	2	
41	0199901100	HOSE, DRAIN	1	
42	0199900420	HOSE, DRAIN	1	
43	0605515094	BAND, HOSE	4	
44	0802081403	TANK, RESERVE	1	
45	0802081104	CAP, TANK RESERVE	1	
46	0199100215	HOSE	1	
47	8702082004	BRACKET, TANK RESERVE	1	
48	011606025	HEX HEAD BOLT.....	1	REPLACES P/N 0017106025
49	0017106016	HEX HEAD BOLT KIT 6 X 16 (3 PC.)	2	
50	0199900680	HOSE	1	
51	0193600750	HOSE	1	
52	0605515094	BAND, HOSE	3	
53	B1359300004	ROD, CLAMPER	1	
54	011008020	HEX HEAD BOLT.....	2	REPLACES P/N 0017108020
55	0220300450	RUBBER SEAL	2	
56	0602123252	WATER TEMPERATURE GAUGE	1	
57	0602122250A	OIL PRESSURE UNIT	1	REPLACES P/N 0602122250

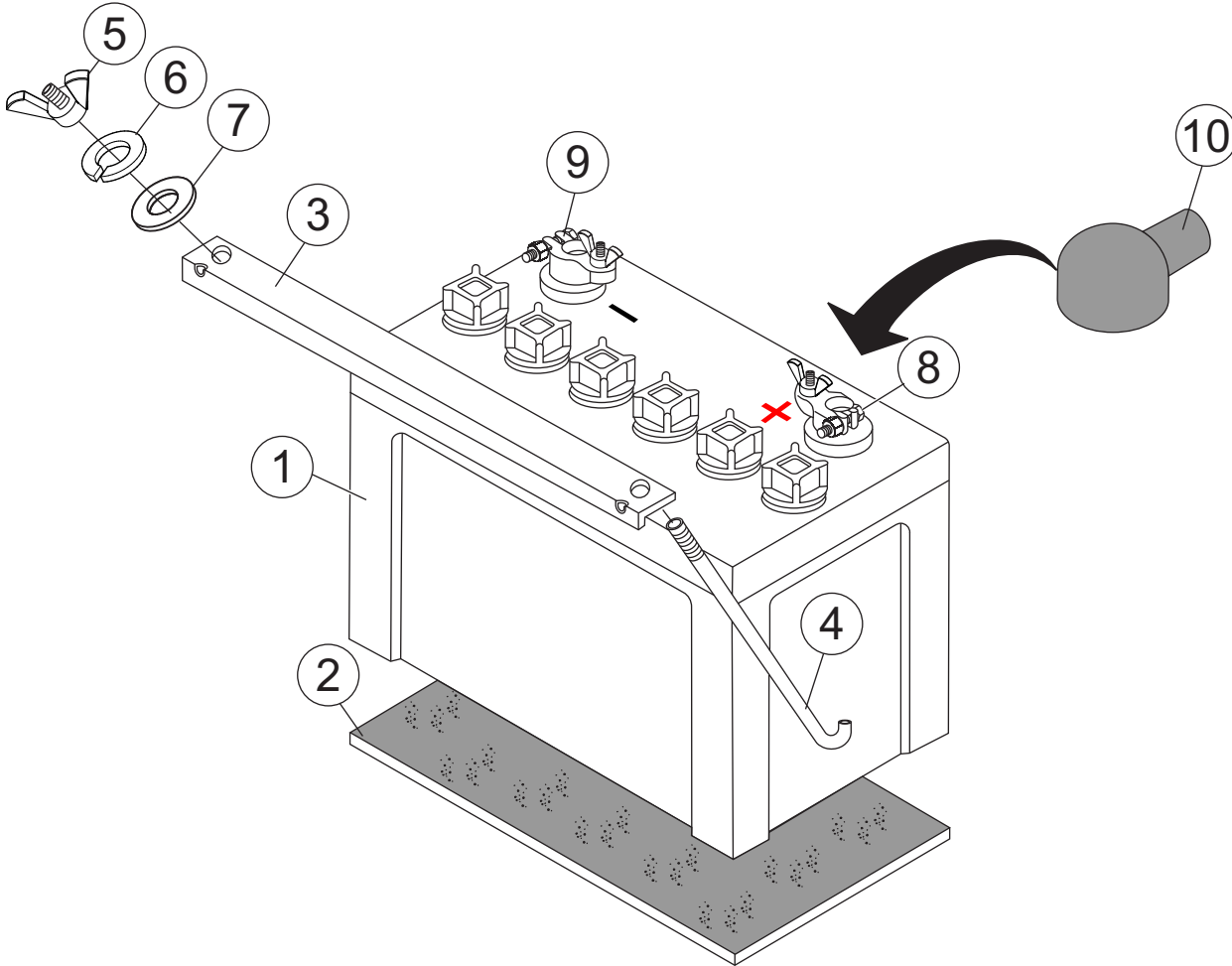
THROTTLE ASSY.



THROTTLE ASSY.

<u>NO.</u>	<u>PART NO.</u>	<u>PART NAME</u>	<u>QTY.</u>	<u>REMARKS</u>
19	B1356000313	LEVER, THROTTLE	1	
19-1	B1355600204	SCREW, ADJUST	1	
19-2	Y0207008000	NUT, SELF-LOCKING	1	
20	Y0022806012	MACHINE SCREW	4	
21	B1355300314	GOVERNOR ROD	1	
22	505015300	SNAP PIN	1.....	REPLACES P/N 0605010502
23	Y0602180117	BALL JOINT	1	
24	020108060	NUT, HEX M8.....	1.....	REPLACES P/N 0030008000
25	020106050	NUT, HEX 6MM.....	1.....	REPLACES P/N 0038706000

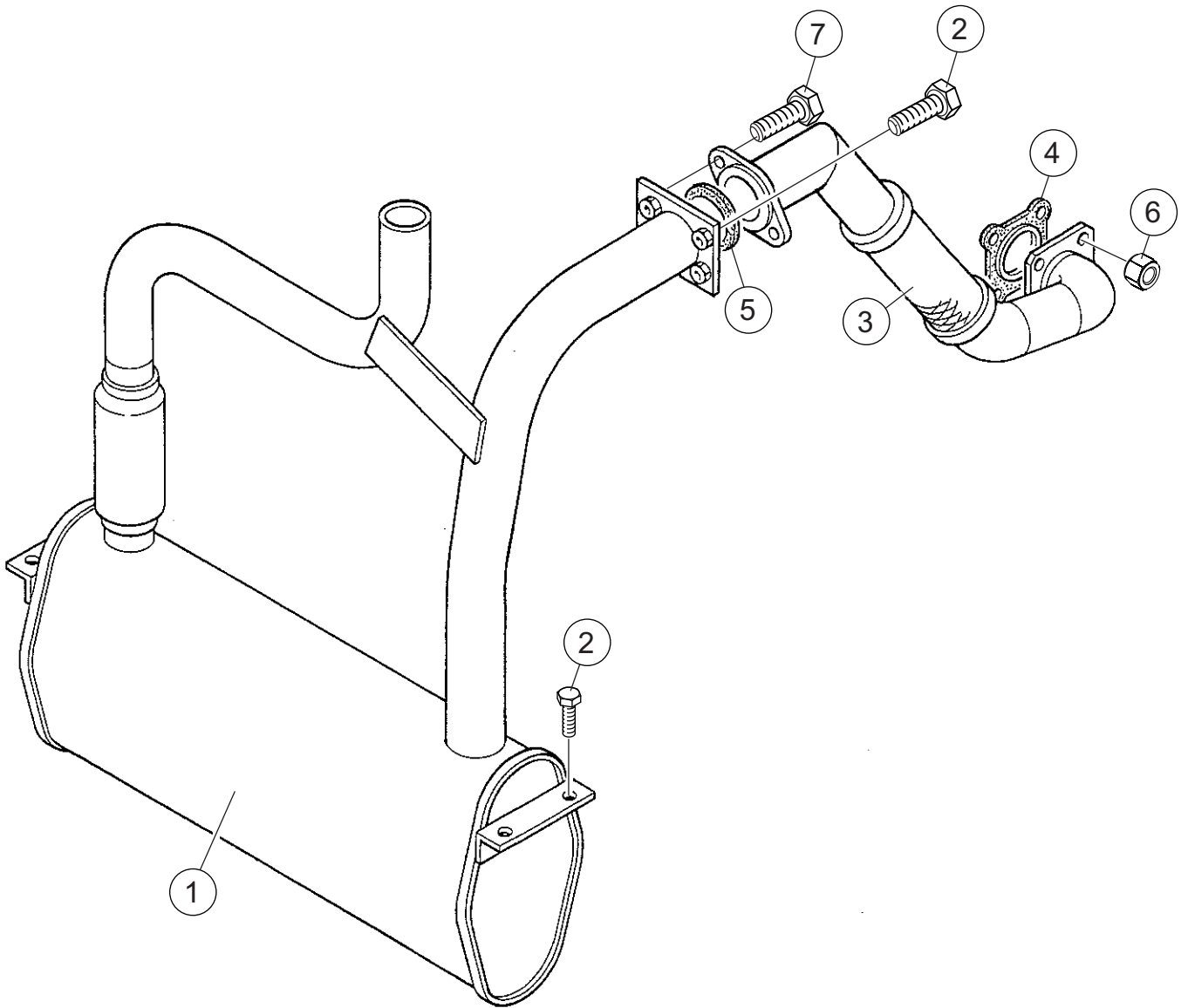
BATTERY ASSY.



BATTERY ASSY.

<u>NO.</u>	<u>PART NO.</u>	<u>PART NAME</u>	<u>QTY.</u>	<u>REMARKS</u>
1	0168308026	BATTERY, 80D26R	1	
2	3312251104	SHEET, BATTERY	1	
3	B1345200114	BAND, BATTERY	1	
4	6472252004	BOLT, BATTERY	2	
5	57216	NUT, WING	2	REPLACES P/N 0037808000
6	0040008000	WASHER, LOCK	2	
7	0401450080	WASHER, FLAT	2	REPLACES P/N 0041208000
8	0602220311	TERMINAL ASSEMBLY, POSITIVE	1	REPLACES P/N 0602220310
9	0602220311	TERMINAL ASSEMBLY, NEGATIVE	1	
10	0845040414	CAP, TERMINAL	1	

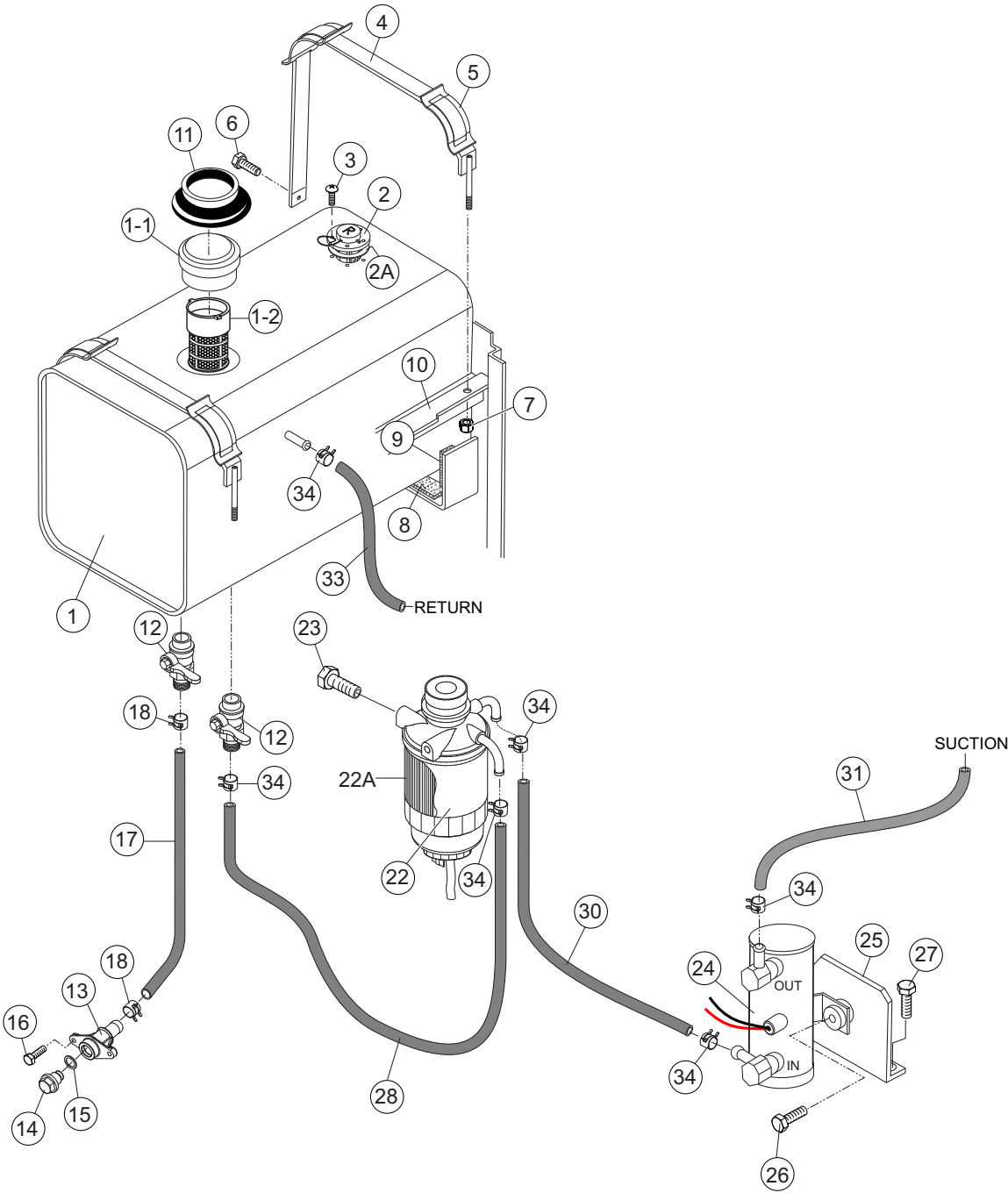
MUFFLER ASSY.



MUFFLER ASSY.

<u>NO.</u>	<u>PART NO.</u>	<u>PART NAME</u>	<u>QTY.</u>	<u>REMARKS</u>
1	B1332100513	MUFFLER	1	
2	011008020	HEX HEAD BOLT.....	6.....	REPLACES P/N 0017108020
3	B1335001313	PIPE, EXHAUST	1	
4	8970420280	GASKET	1.....	REPLACES P/N 0602320100
5	1502336004	GASKET	1.....	S/N 3777551 AND BELOW
5	D9304000004	GASKET	1.....	S/N 3777552 AND ABOVE
6	0207308000	NUT, HEX	4	
7	0017108035	HEX HEAD BOLT	2	

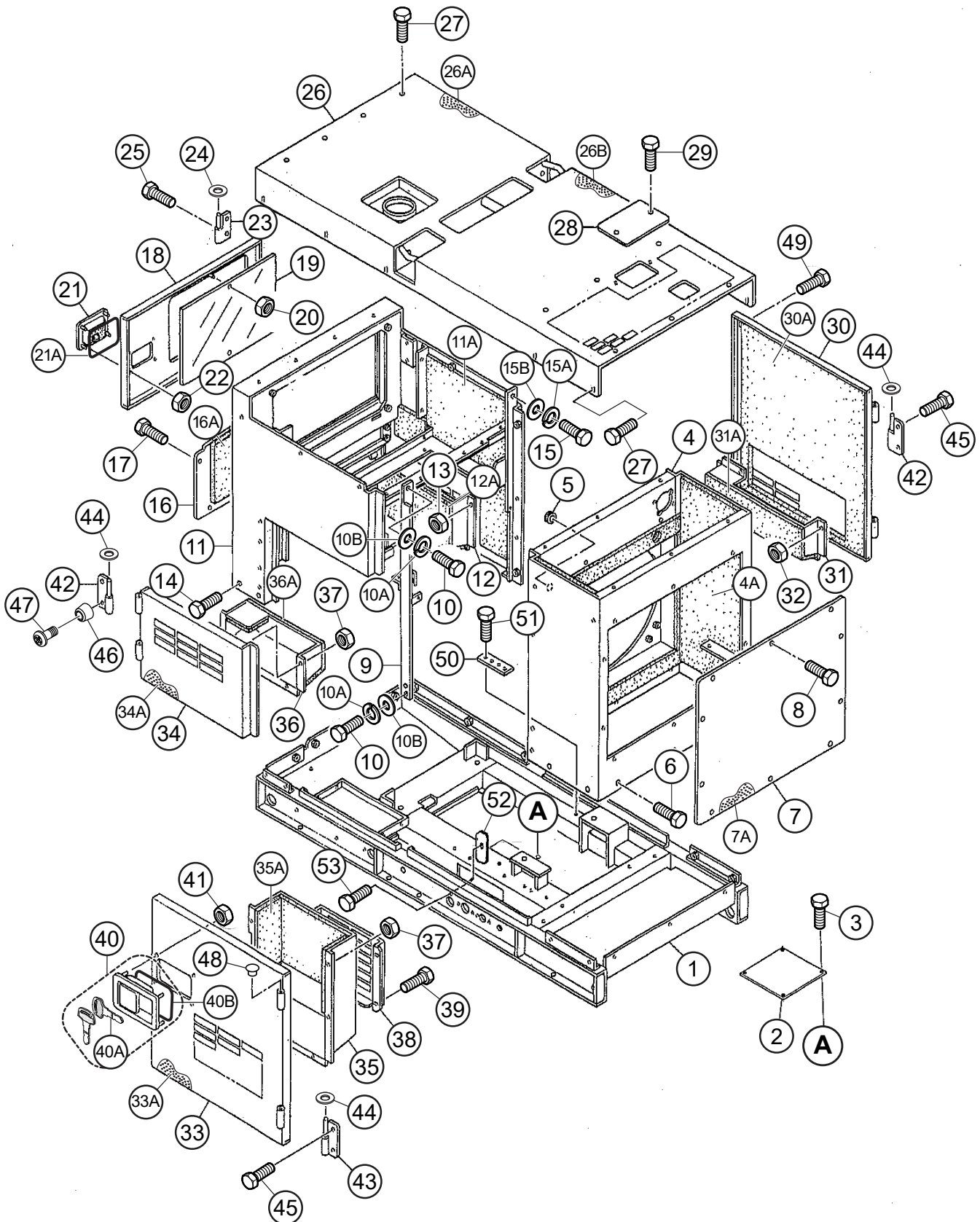
FUEL TANK ASSY.



FUEL TANK ASSY.

<u>NO.</u>	<u>PART NO.</u>	<u>PART NAME</u>	<u>QTY.</u>	<u>REMARKS</u>
1	B1365000723	FUEL TANK	1	
1-1	0845500104	CAP, FUEL TANK	1	
1-2	0810105400	FILTER, FUEL TANK	1	
2	0602125291	SENDER, FUEL GAUGE	1	
2A	E1924300184	GASKET	1	
3	0022905015	MACHINE SCREW	5	
4	B1364200004	BAND, TANK	2	
5	0805003414	PAD, TANK BAND	4	
6	011008020	HEX HEAD BOLT.....	2.....	REPLACES P/N 0017108020
7	020108060	NUT, HEX.....	2.....	REPLACES P/N 0037908000
8	0222100300	SHEET, TANK	2	
9	0222100070	SHEET, TANK	2	
10	0222100650	SHEET, TANK	1	
11	B9312400004	RUBBER SEAL	1	
12	0605511357	VALVE	2	
13	7812014003	JOINT, DRAIN	1	
14	0802011104	PLUG, DRAIN	1	
15	0150000018	O-RING, P-18	1	
16	011206020	HEX HEAD BOLT.....	2.....	REPLACES P/N 0016906020
17	0199900670	HOSE, DRAIN	1	
18	0605515094	BAND, HOSE	2	
22	8943672924	FUEL FILTER ASSEMBLY.....	1.....	REPLACES P/N 8943672922
22A	8980374810	ELEMENT, FUEL FILTER W/O SENSOR.....	1.....	REPLACES P/N 8943692993
23	011008020	HEX HEAD BOLT.....	2.....	REPLACES P/N 0017108020
24	8970398342	PUMP ASSEMBLY, FUEL.....	1.....	REPLACES P/N 8970398340
25	B1368700914	BRACKET	1	
26	011606025	HEX HEAD BOLT.....	2.....	REPLACES P/N 0017106025
27	011008020	HEX HEAD BOLT.....	2.....	REPLACES P/N 0017108020
28	0199901200	HOSE, SUCTION	1	
30	0199900300	HOSE, SUCTION	1	
31	0199900750	HOSE, SUCTION	1	
33	0199902200	HOSE, RETURN	1	
34	0605515094	BAND, HOSE	8	

ENCLOSURE ASSY.



ENCLOSURE ASSY.

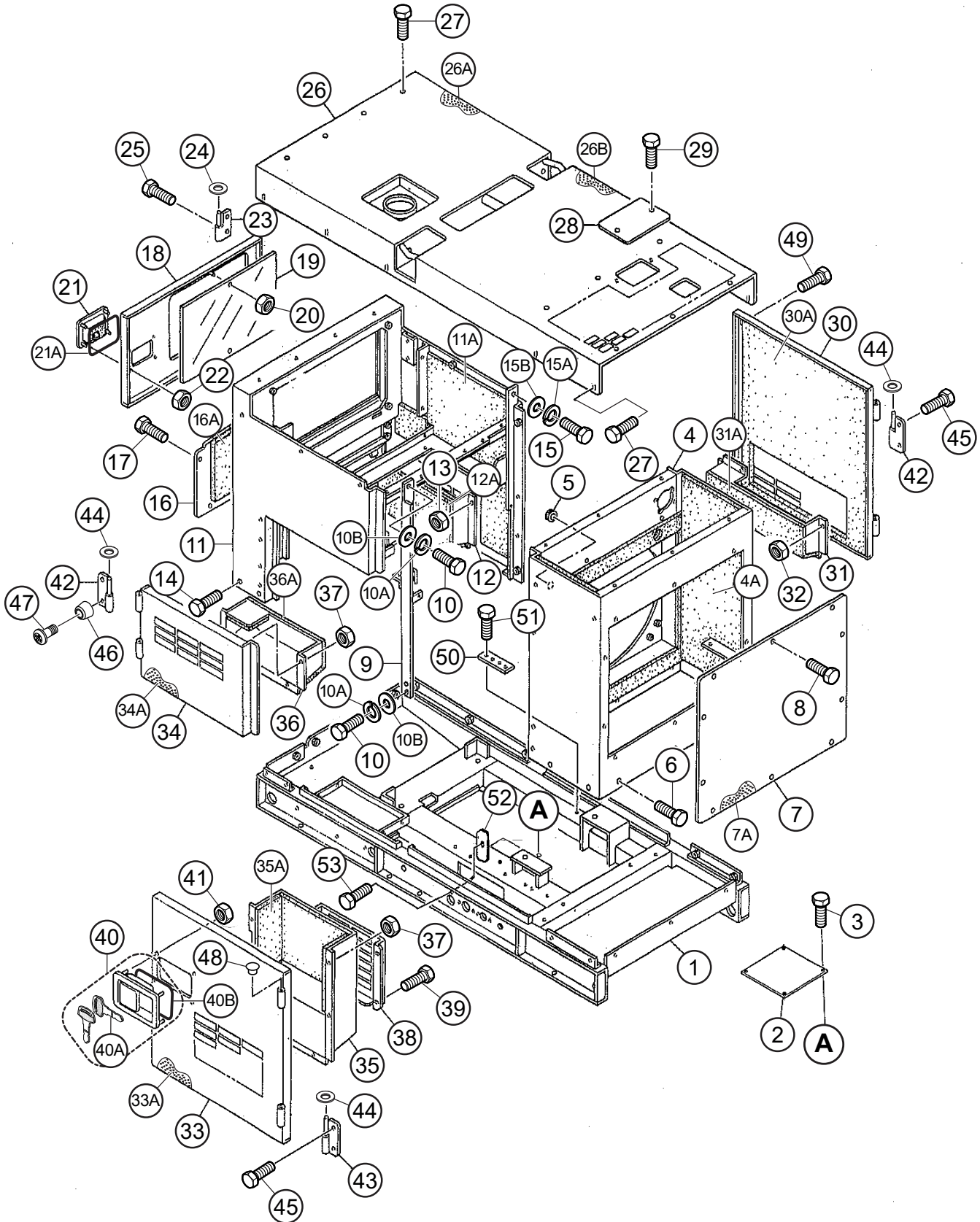
<u>NO.</u>	<u>PART NO.</u>	<u>PART NAME</u>	<u>QTY.</u>	<u>REMARKS</u>
1	B1415001632	BASE	1.....	S/N 3758183 AND BELOW
1	B1415001642	BASE	1.....	S/N 3758184 AND ABOVE
2	B1415100104	PANEL, FLOOR	1.....	S/N 3758183 AND BELOW
2	B9119100604	PANEL, FLOOR	1.....	S/N 3758184 AND ABOVE
3	011008020	HEX HEAD BOLT.....	8.....	S/N 3758183 AND BELOW
				REPLACES P/N 0016908020
3	011008020	HEX HEAD BOLT.....	4.....	S/N 3758184 AND ABOVE
				REPLACES P/N 0016908020
4	B1425001622	FRAME, FRONT	1	
4A	B1495101513	LINING	1	
5	0601850239	GROMMET	1	
6	011008020	HEX HEAD BOLT.....	9.....	REPLACES P/N 0016908020
7	B1425201804	COVER, FRAME FRONT	1	
7A	B1495101604	LINING	1	
8	011008020	HEX HEAD BOLT.....	10.....	REPLACES P/N 0016908020
9	B1435300523	HANGER	1	
10	0010112035	HEX HEAD BOLT	3	
10A	0040012000	WASHER, LOCK	3	
10B	031112230	WASHER, FLAT	3.....	REPLACES P/N 0041212000
11	B1445000822	FRAME, REAR	1	
11A	B1495301113	LINING	1	
12	B1455301613	DUCT	1	
12A	B1495401813	LINING	1	
13	0176060030	NUT, FLANGE SELF-LOCK.....	4.....	REPLACES P/N 0207006000
14	011008020	HEX HEAD BOLT.....	6.....	REPLACES P/N 0016908020
15	0010112035	HEX HEAD BOLT	2	
15A	0040012000	WASHER, LOCK	2	
15B	031112230	WASHER, FLAT	2.....	REPLACES P/N 0041212000
16	B1445301713	COVER, FRAME REAR	1	
16A	B1495301214	LINING	1	
17	011008020	HEX HEAD BOLT.....	4.....	REPLACES P/N 0016908020
18	B1445200213	DOOR, FRAME REAR	1	
19	8355147004	PLATE, WINDOW	1	
20	020106050	NUT, HEX.....	2.....	REPLACES P/N 0037906000

ADD THE FOLLOWING DIGITS AFTER THE PART NUMBER WHEN ORDERING ANY PAINTED PANEL TO INDICATE COLOR OF UNIT:

1-ORANGE	6-CATERPILLAR YELLOW
2-WHITE	7-CATO GOLD
3-SPECTRUM GREY	8-RED
4-SUNBELT GREEN	9-DESERT TAN
5-BLACK	

THE SERIAL NUMBER MAY BE REQUIRED.

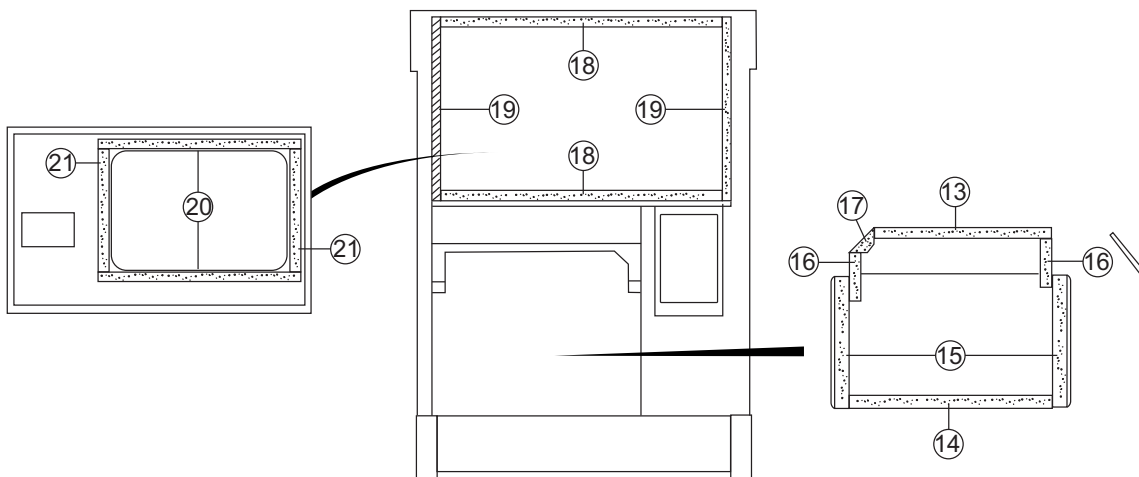
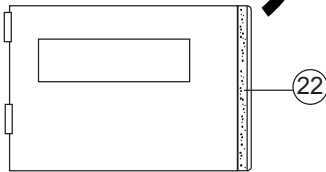
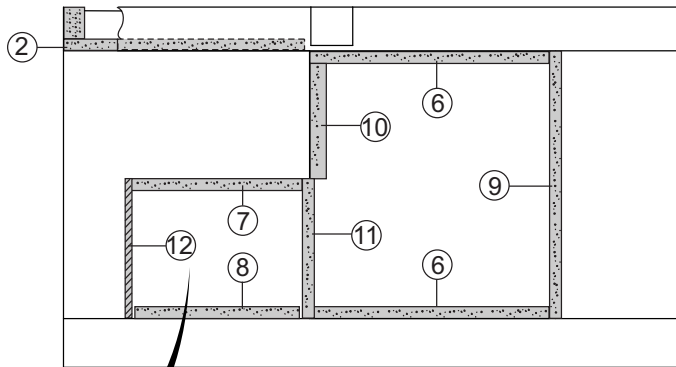
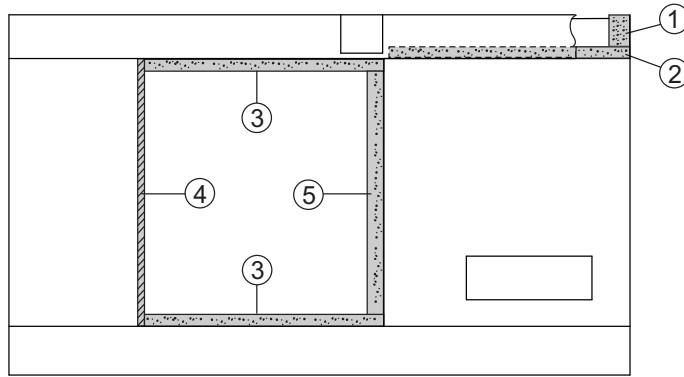
ENCLOSURE ASSY. (CONT'D.)



ENCLOSURE ASSY. (CONT'D.)

<u>NO.</u>	<u>PART NO.</u>	<u>PART NAME</u>	<u>QTY.</u>	<u>REMARKS</u>
21	0605010227	HANDLE, DOOR	1	
21A	D9312500104	RUBBER SEAL	1	
22	0176060030	NUT, FLANGE SELF-LOCK.....	4.....	REPLACES P/N 0207006000
23	0810015104	HINGE	2	
24	D9116000004	WASHER	2	
25	0016906016	HEX HEAD BOLT	4	
26	B1465001232	PANEL, ROOF	1	
27	011008020	HEX HEAD BOLT.....	20.....	REPLACES P/N 0016908020
28	8452023004	COVER	1	
29	011008020	HEX HEAD BOLT.....	2.....	REPLACES P/N 0016908020
30	B1455101323	PANEL, SIDE	1	
30A	B1495401614	LINING	1	
31	B1455301823	DUCT	1	
31A	B1495401813	LINING	1	
32	0176060030	NUT, FLANGE SELF-LOCK.....	5.....	REPLACES P/N 0207006000
33	B1455002303	SIDE DOOR	1	
33A	B1495401504	LINING	1	
34	B1455002413	SIDE DOOR	1	
34A	B1495401714	LINING	1	
35	B1455301403	DUCT	1	
35A	B1495401813	LINING	1	
36	B1455301703	DUCT	1	
36A	B1495401813	LINING	1	
37	0176060030	NUT, FLANGE SELF-LOCK.....	10.....	REPLACES P/N 0207006000
38	B1455700003	POCKET, DOOR	1	
39	0016906016	HEX HEAD BOLT	4	
40	0605010222	HANDLE, DOOR	1	
40A	0601850532	KEY SET, SIDE DOOR	1	
40B	C9312500004	RUBBER SEAL	1	
41	0176060030	NUT, FLANGE SELF-LOCK.....	4.....	REPLACES P/N 0207006000
42	M9110100204	HINGE, MALE (L).....	4.....	REPLACES P/N 0845047104
43	M9110100304	HINGE, MALE (R).....	2.....	REPLACES P/N 0845047204
44	0845045004	WASHER	6	
45	011008020	HEX HEAD BOLT.....	9.....	REPLACES P/N 0016908020
46	0601850097	RUBBER CUSHION	3	
47	011208025	MACHINE SCREW.....	3.....	REPLACES P/N 0021008025
48	0845031504	CAP	6	
49	0012108035	HEX HEAD BOLT.....	2.....	REPLACES P/N 0016908035
50	B1262800004A	PLATE.....	1.....	REPLACES P/N B1262800004
51	0016906016	HEX HEAD BOLT	4	
52	B0368702104	COVER	1	
53	011008020	HEX HEAD BOLT.....	1.....	REPLACES P/N 0016908020

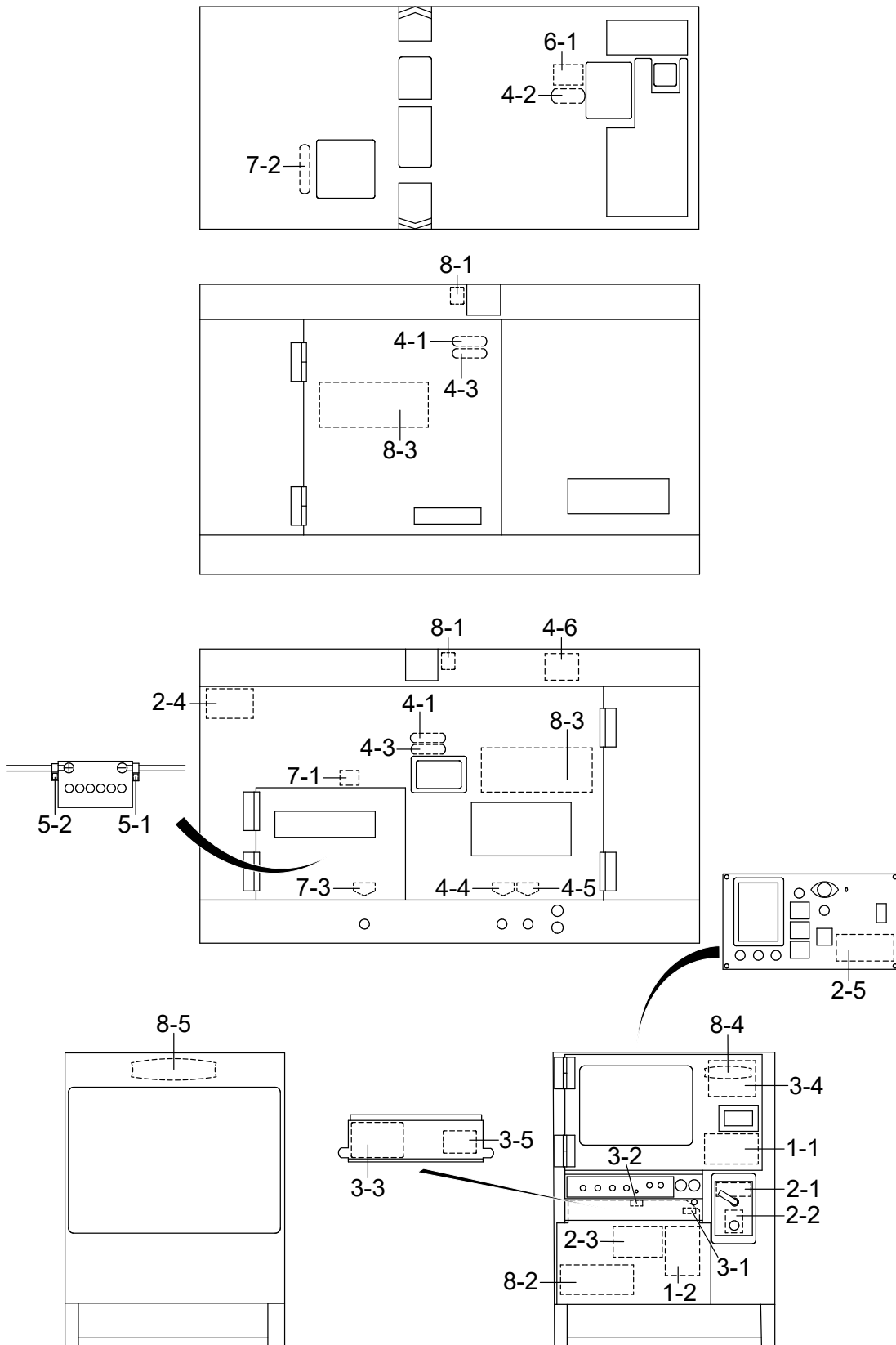
RUBBER SEALS ASSY.



RUBBER SEALS ASSY.

<u>NO.</u>	<u>PART NO.</u>	<u>PART NAME</u>	<u>QTY.</u>	<u>REMARKS</u>
1	0318100840	RUBBER SEAL	1	
2	0229200580	RUBBER SEAL	2	
3	0222900580	RUBBER SEAL	2	
4	0228800665	RUBBER SEAL	1	
5	0224900625	RUBBER SEAL	1	
6	0229400595	RUBBER SEAL	2	
7	0229400450	RUBBER SEAL	1	
8	0229400435	RUBBER SEAL	1	
9	0028900665	RUBBER SEAL	1	
10	0229400300	RUBBER SEAL	1	
11	0221900350	RUBBER SEAL	1	
12	0228900345	RUBBER SEAL	1	
13	0229200350	RUBBER SEAL	1	
14	0229200400	RUBBER SEAL	1	
15	0318000250	RUBBER SEAL	2	
16	0229200095	RUBBER SEAL	2	
17	B1492400004	RUBBER SEAL	1	
18	0229400580	RUBBER SEAL	2	
19	0229400360	RUBBER SEAL	2	
20	0227500410	RUBBER SEAL	2	
21	0227500245	RUBBER SEAL	2	
22	0229400330	RUBBER SEAL	1	

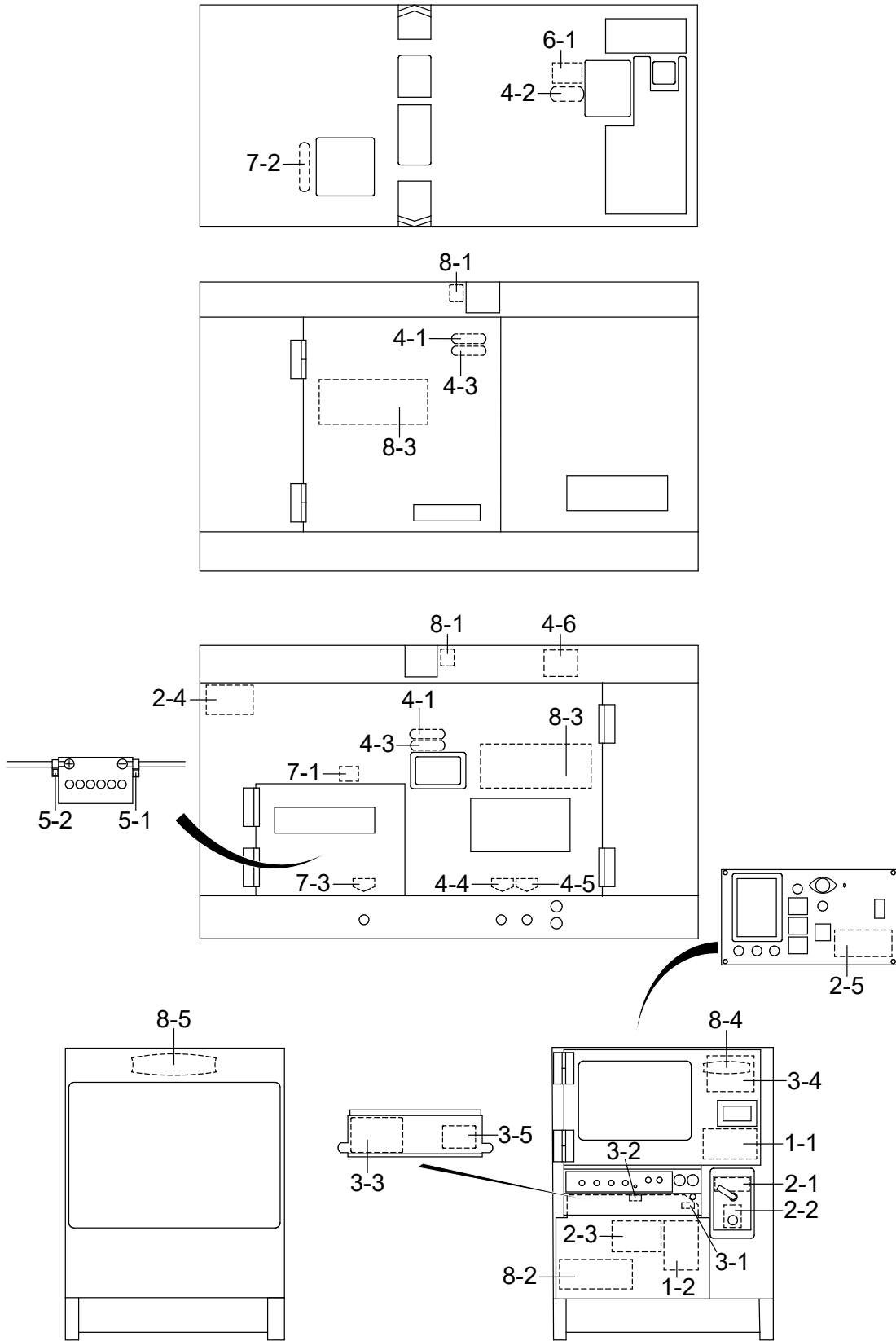
NAMEPLATE AND DECALS ASSY.



NAMEPLATE AND DECALS ASSY.

<u>NO.</u>	<u>PART NO.</u>	<u>PART NAME</u>	<u>QTY.</u>	<u>REMARKS</u>
1-1	B1511304903	DECAL; SPECIFICATION.....	1.....	B11130480
1-2	B1552002503	DECAL; HANDLING PROCEDURES	1.....	S/N 3766384 AND BELOW B15200250B
1-2	B1551002303	DECAL; HANDLING PROCEDURES	1.....	S/N 3766385 AND ABOVE B15100230
<u>CONTROL PANEL GROUP</u>				
2-1	B1552001604	DECAL; THROTTLE LEVER	1.....	B15200160A
2-2	B1552001704	DECAL; FREQUENCY ADJUST SCREW	1.....	B15200170A
2-3	B9501401703	DECAL; ENGINE METER PANEL	1.....	S/N 3896446 AND BELOW B90140170
2-3	B9501402603	DECAL; ENGINE METER PANEL	1.....	S/N 3896447 AND ABOVE B90140260A
2-4	B1551002003	DECAL; SETTING FOR OUTPUT VOLTAGE....	1.....	B15100200
2-5	B9522101003	DECAL; WARNING.....	1.....	B92210100
<u>OUTPUT TERMINAL GROUP</u>				
3-1	0840619504	DECAL; GROUND MARK.....	1.....	S-2954
3-2	W0840623604	DECAL; GROUND FOR LEAKAGE RELAY	1.....	S-2953
3-3	W0840628804	DECAL; DANGER HIGH VOLTAGE	1.....	S-3290
3-4	W0840654003	DECAL; LEAKAGE RELAY.....	1.....	S-4444
3-5	W0840628804	DECAL; DANGER HIGH VOLTAGE	1.....	S-3290
<u>ENGINE AND RADIATOR GROUP</u>				
4-1	B9505000504	DECAL; WARNING MOVING PARTS	2.....	B90500050
4-2	B9505100304	DECAL; COOLING WATER.....	1.....	B90510030
4-3	B9505200204	DECAL; WARNING HOT SURFACES.....	2.....	B90520020
4-4	B9542000504	DECAL; ENGINE OIL DRAIN	1.....	B94200050
4-5	B9542000604	DECAL; COOLING WATER DRAIN.....	1.....	B94200060
4-6	6390671104	DECAL; IMPORTANT: "CHECK DAILY"	1.....	S-2377
<u>BATTERY GROUP</u>				
5-1	0800689404	DECAL; (+)	1.....	S-2090
5-2	0800689504	DECAL; (-)	1.....	S-2091
<u>MUFFLER GROUP</u>				
6-1	B9505200004	DECAL; CAUTION AGAINST EXHAUST GAS..	1.....	B90520000

NAMEPLATE AND DECALS ASSY. (CONT'D.)



NAMEPLATE AND DECALS ASSY. (CONT'D.)

<u>NO.</u>	<u>PART NO.</u>	<u>PART NAME</u>	<u>QTY.</u>	<u>REMARKS</u>
<u>FUEL TANK GROUP</u>				
7-1	B1552002604	DECAL	1.....	B15200260
7-2	B9505500704	DECAL; USE NO. 2 DIESEL FUEL ONLY	1.....	B90550070A
7-3	B954200404	DECAL; FUEL DRAIN.....	1.....	B94200040
<u>ENCLOSURE GROUP</u>				
8-1	B9512100204	DECAL; SUPPORT HOOK	2.....	B91210020A
8-2	B1562001303	DECAL; 25ES	1	
8-3	B1562001603	DECAL; 25ES	2	
8-4	B9512200203	EMBLEM	1	
8-5	B9512200303	EMBLEM	1	

PARTS MANUAL

HERE'S HOW TO GET HELP

PLEASE HAVE THE MODEL AND SERIAL
NUMBER ON HAND WHEN CALLING

UNITED STATES

Multiquip Inc.

(310) 537- 3700
6141 Katella Avenue Suite 200
Cypress, CA 90630
E-MAIL: mq@multiquip.com
WEBSITE: www.multiquip.com

CANADA

Multiquip

(450) 625-2244
4110 Industriel Boul.
Laval, Quebec, Canada H7L 6V3
E-MAIL: infocanada@multiquip.com

UNITED KINGDOM

Multiquip (UK) Limited Head Office

0161 339 2223
Unit 2, Northpoint Industrial Estate, Globe Lane,
Dukinfield, Cheshire SK16 4UJ
E-MAIL: sales@multiquip.co.uk

© COPYRIGHT 2026, MULTQUIP INC.

Multiquip Inc., the MQ logo and the MQ Power logo are registered trademarks of Multiquip Inc. and may not be used, reproduced, or altered without written permission. All other trademarks are the property of their respective owners and used with permission.

This manual MUST accompany the equipment at all times. This manual is considered a permanent part of the equipment and should remain with the unit if resold.

DISCLAIMER: Product features, descriptions, and specifications are based on published information at the time of publication and are subject to change at any time without notice. Multiquip Inc. and its affiliates reserve the right to change specifications, features, design, and descriptions of products at any time without notice.

Manufactured for
MQ Power Inc.
by
DENYO MANUFACTURING CORP.

