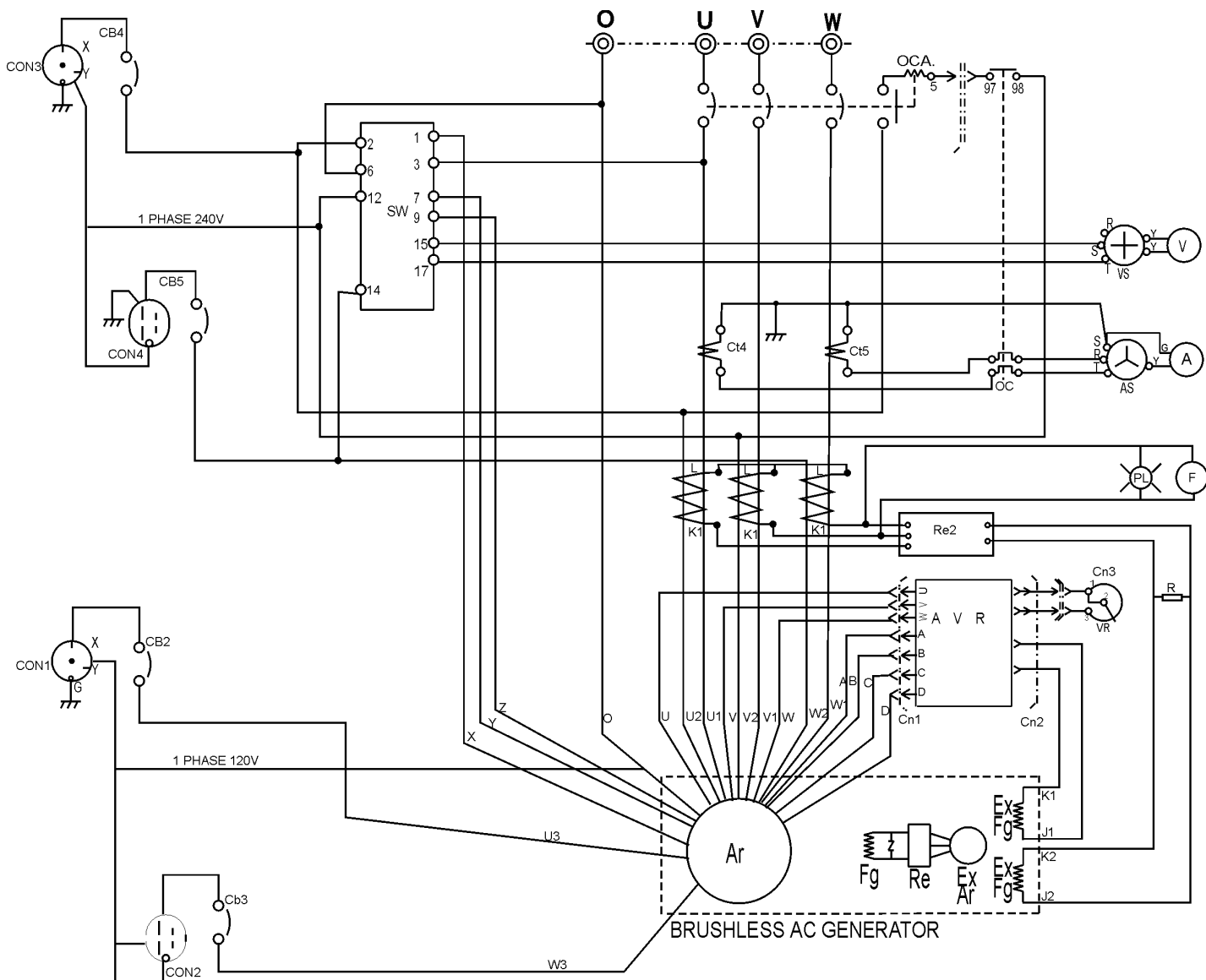


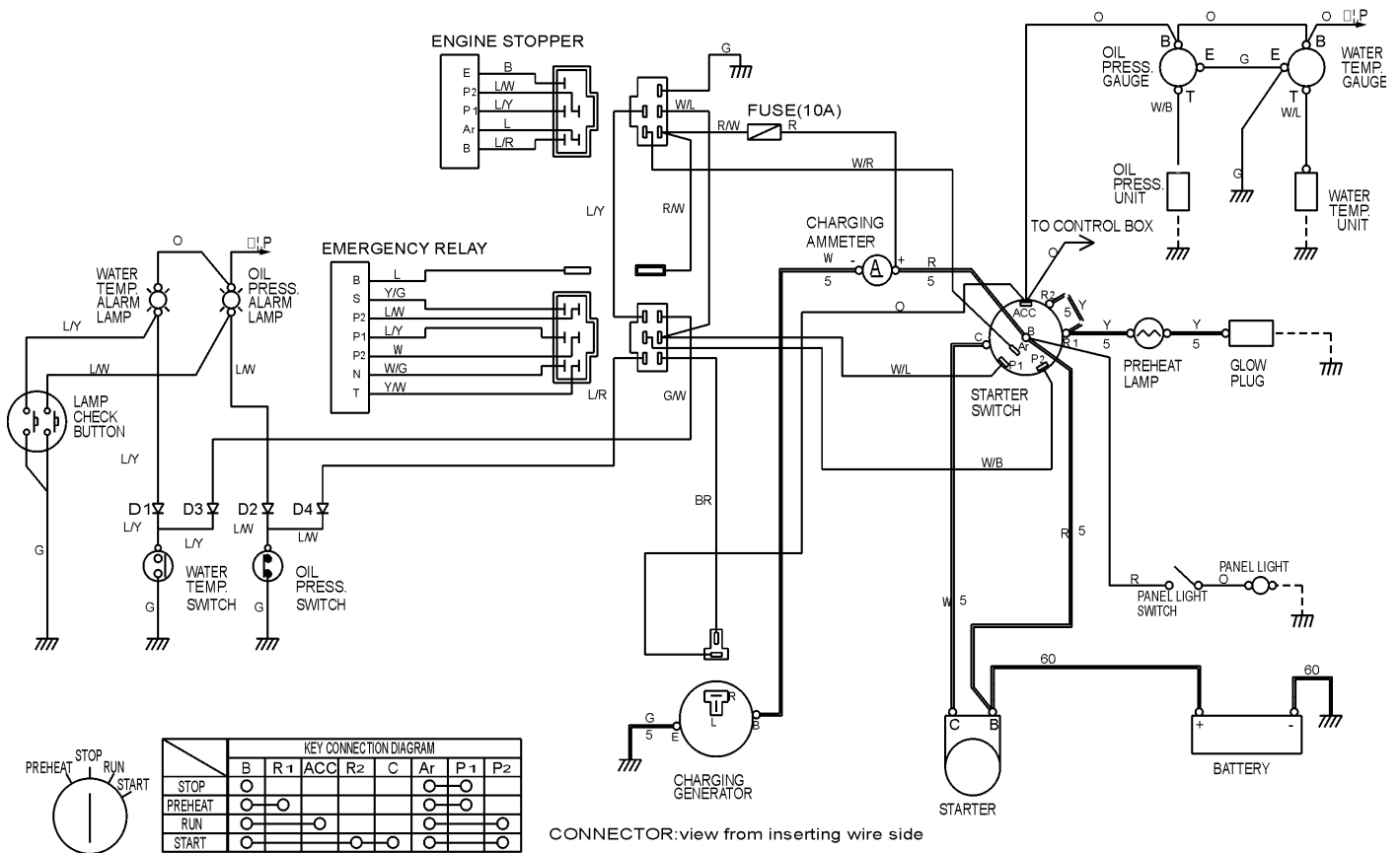
DCA-25SSAI — SPECIFICATIONS

Table 5. Specifications		
Generator Specifications		
Model	DCA-25SSAI	
Type	Revolving field, self ventilated, open protected type synchronous	
Armature Connection	Star with Neutral	Zig Zag
Phase	3	Single
Standby Output	26.5 KVA (21.2 KW)	15.3KW
Prime Output	25 KVA (20 KW)	14.4KW
Voltage	240V or 480V	240/120V
Frequency	60 Hz	
Speed	1800 rpm	
Power Factor	0.8	1
Aux. AC Power	Single Phase, 60 Hz	
Voltage	120 V	
Output	4.8 KW (2.4 KW x 2)	
Engine Specifications		
Model	Isuzu C240	
Type	4 Cycle, water-cooled, swirl combustion chamber	
No. of Cylinders	4 cylinders	
Bore x Stroke	3.38 in. x 4 in. (86 mm x 102 mm)	
Rated Output	30.6HP/1800 rpm	
Displacement	144 cu. in. (2369cc)	
Starting	Electric	
Coolant Capacity	2.9 gal. (11 liters)	
Lube Oil Capacity	1.45 gal. (5.5 liters)	
Fuel Consumption	1.65 gal. (6.3L)/hr at full load	1.3 gal. (5.0L)/hr at 3/4 load
	0.9 gal. (3.4L)/hr at 1/2 load	0.6 gal. (2.3L)/hr at 1/4 load
Battery	12V- 70AH	
Fuel	#2 Diesel Fuel	

DCA-25SSAI — GENERATOR WIRING DIAGRAM



DCA-25SSAI — ENGINE WIRING DIAGRAM



		KEY CONNECTION DIAGRAM							
		B	R 1	ACC	R 2	C	Ar	P 1	P 2
STOP	○							○	○
PREHEAT	○	○						○	○
RUN	○		○					○	○
START	○			○	○	○	○	○	○

WIRE SIZE	COLOR CODE	
60: 60 mm ²	WIRE COLOR	WIRE COLOR
5: 5 mm ²	B BLACK	R RED
	L BLUE	W WHITE
	BR BROWN	Y YELLOW
	G GREEN	LB LIGHT BLUE
	GR GRAY	LG LIGHT GREEN
	V VIOLET	O ORANGE
	P PINK	