

# PARTS MANUAL



## **WHISPERWATT™ SERIES MODEL DCA25SSIU 60Hz GENERATOR (ISUZU C240 DIESEL ENGINE)**

Revision #8 (07/07/21)

To find the latest revision of this publication or associated operation manual, visit our website at: [www.mqpower.com](http://www.mqpower.com)



**THIS MANUAL MUST ACCOMPANY THE EQUIPMENT AT ALL TIMES.**

**MQ POWER DCA-25SSIU  
60 Hz AC GENERATOR**

Table Of Contents ..... 2  
Explanation of Codes in Remarks Column ..... 4  
Suggested Spare Parts ..... 5

**Component Drawings**

Generator Assembly ..... 6-7  
Control Box Assembly ..... 8-11  
Engine And Radiator Assembly ..... 12-15  
Engine Operating Panel Assembly ..... 16-17  
Output Terminal Assembly ..... 18-19  
Battery Assembly ..... 20-21  
Muffler Assembly ..... 22-23  
Fuel Tank Assembly ..... 24-25  
Enclosure Assembly ..... 26-29  
Rubber Seal Assembly ..... 30-31  
Nameplate And Decals ..... 32-33

**NOTICE**

*Specification and part number are subject to change without notice.*

**Isuzu C240 Diesel Engine**

Cylinder Head and Cover Assembly ..... 34-35  
Cylinder Block Assembly ..... 36-37  
Timing Gear Assembly ..... 38-39  
Flywheel Housing Assembly ..... 40-41  
Oil Pan Assembly ..... 42-43  
Oil Pump Assembly ..... 44-45  
Crankshaft, Bridge and Flywheel Assembly ..... 46-47  
Oil And Fuel Filter Assembly ..... 48-49  
Oil Pipe Assembly ..... 50-51  
Water Pump and Fan Assembly ..... 52-53  
Intake and Exhaust Manifold Assembly ..... 54-55  
Air Cleaner Assembly ..... 56-57  
Engine Foot Assembly ..... 58-59  
Injection Pump Assembly ..... 60-61  
Electrical Parts Assembly ..... 62-63  
Accessories ..... 64-65  
Injection Pump Comp. Assembly ..... 66-71  
Governor Comp. Assembly ..... 72-75  
Feed Pump Comp. Assembly ..... 76-77  
Auto Timer Assembly ..... 78-79  
Nozzle Holder Comp. Assembly ..... 80-81  
Starter Comp. Assembly ..... 82-83  
Alternator Comp. Assembly (Before Oct 1992) ..... 84-85  
Alternator Comp. Assembly (After Oct 1992) ..... 86-87



# EXPLANATION OF CODE IN REMARKS COLUMN

The following section explains the different symbols and remarks used in the Parts section of this manual. Use the help numbers found on the back page of the manual if there are any questions.

## NOTICE

The contents and part numbers listed in the parts section are subject to change **without notice**. Multiquip does not guarantee the availability of the parts listed.

## SAMPLE PARTS LIST

NO.	PART NO.	PART NAME	QTY.	REMARKS
1	12345	BOLT.....	1	INCLUDES ITEMS W/%
2%		WASHER, 1/4 IN.....		NOT SOLD SEPARATELY
2%	12347	WASHER, 3/8 IN....	1	MQ-45T ONLY
3	12348	HOSE .....	A/R	MAKE LOCALLY
4	12349	BEARING .....	1	S/N 2345B AND ABOVE

## NO. Column

**Unique Symbols** — All items with same unique symbol

(@, #, +, %, or >) in the number column belong to the same assembly or kit, which is indicated by a note in the “Remarks” column.

**Duplicate Item Numbers** — Duplicate numbers indicate multiple part numbers, which are in effect for the same general item, such as different size saw blade guards in use or a part that has been updated on newer versions of the same machine.

## NOTICE

When ordering a part that has more than one item number listed, check the remarks column for help in determining the proper part to order.

## PART NO. Column

**Numbers Used** — Part numbers can be indicated by a number, a blank entry, or TBD.

TBD (To Be Determined) is generally used to show a part that has not been assigned a formal part number at the time of publication.

A blank entry generally indicates that the item is not sold separately or is not sold by Multiquip. Other entries will be clarified in the “Remarks” Column.

## QTY. Column

**Numbers Used** — Item quantity can be indicated by a number, a blank entry, or A/R.

A/R (As Required) is generally used for hoses or other parts that are sold in bulk and cut to length.

A blank entry generally indicates that the item is not sold separately. Other entries will be clarified in the “Remarks” Column.

## REMARKS Column

Some of the most common notes found in the “Remarks” Column are listed below. Other additional notes needed to describe the item can also be shown.

**Assembly/Kit** — All items on the parts list with the same unique symbol will be included when this item is purchased.

Indicated by:

“INCLUDES ITEMS W/(unique symbol)”

**Serial Number Break** — Used to list an effective serial number range where a particular part is used.

Indicated by:

“S/N XXXXX AND BELOW”

“S/N XXXX AND ABOVE”

“S/N XXXX TO S/N XXX”

**Specific Model Number Use** — Indicates that the part is used only with the specific model number or model number variant listed. It can also be used to show a part is NOT used on a specific model or model number variant.

Indicated by:

“XXXXX ONLY”

“NOT USED ON XXXX”

**“Make/Obtain Locally”** — Indicates that the part can be purchased at any hardware shop or made out of available items. Examples include battery cables, shims, and certain washers and nuts.

**“Not Sold Separately”** — Indicates that an item cannot be purchased as a separate item and is either part of an assembly/kit that can be purchased, or is not available for sale through Multiquip.

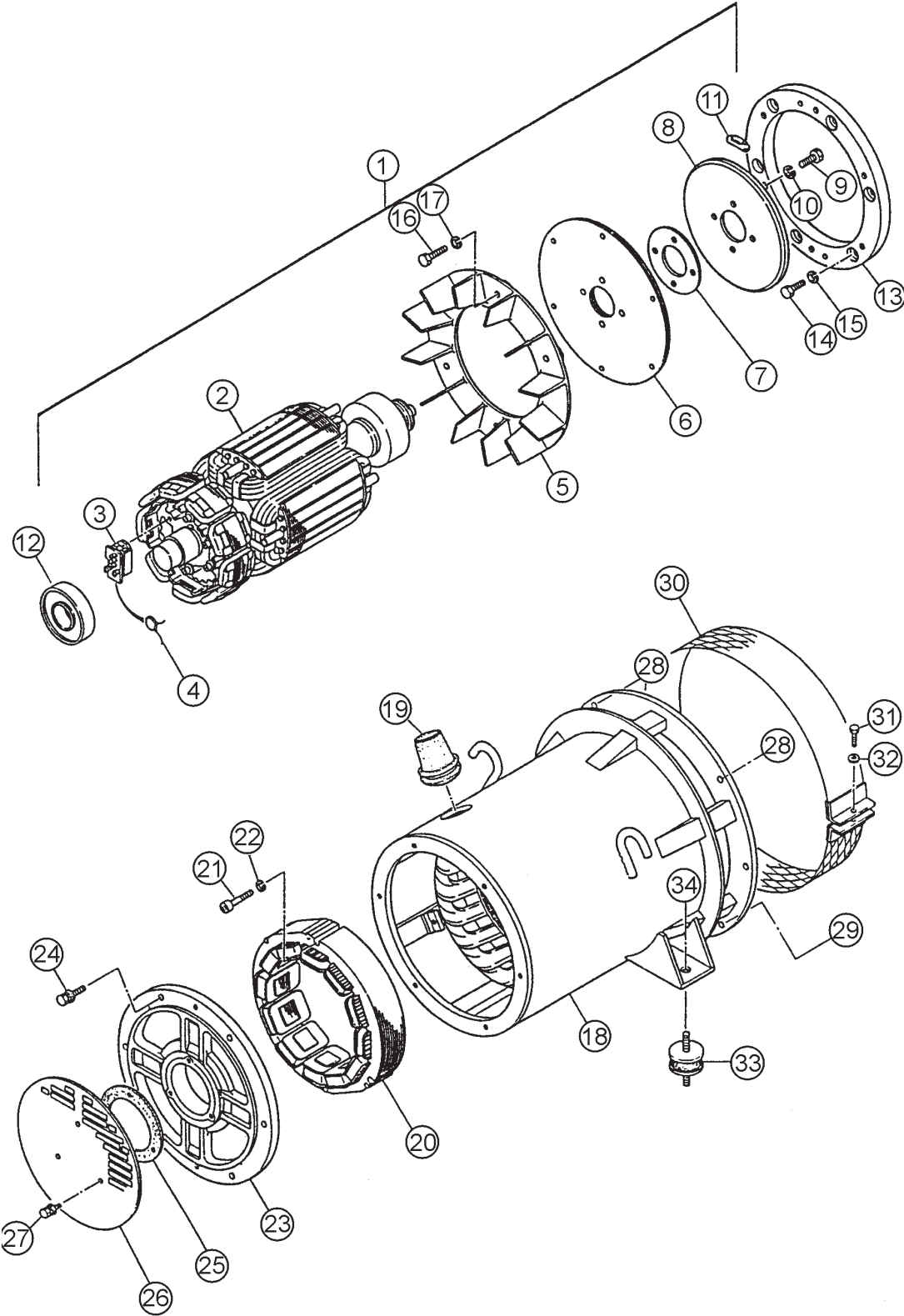
## DCA-25SSIU W/ISUZU C240 DIESEL ENGINE 1 TO 3 UNITS

Qty.	P/N	Description
10	0602046356	CIRCUIT BREAKER
20	X132400150	FUEL FILTER
20	8970246071	OIL FILTER
5	5136710400	FAN BELT
1	8943768300	WATER PUMP
2	9136140430	WATER PUMP GASKET
2	1823100080	STARTER SWITCH
5	KEYISUZUF	STARTER SWITCH KEY
3	0602122272	OIL SENDING UNIT
2	5137700221	THERMOSTAT
2	X137130020	THERMOSTAT GASKET
2	0602014504	RADIATOR HOSE (UPPER)
2	0602014601	RADIATOR HOSE (LOWER)
1	0605505070	FUEL CAP
8	9825119783	GLOW PLUGS
2	5153110060	INJECTOR NOZZLES
1	5825500422	EMERGENCY RELAY
1	5819000200	STOPPER ENGINE
1	5812003411	ALTERNATOR
1	8944532120	STARTER
1	0601820671	AUTOMATIC VOLTAGE REGULATOR
1	0601808810	MAIN CIRCUIT BREAKER
1	0601840073	VOLTAGE REGULATOR (RHEOSTAT)
1	M1923100004	SELECTOR SWITCH
1	47130106	SELECTOR SWITCH KNOB
2	0601810245	PREHEAT LAMP BULB

### NOTICE

**Part number on this Suggested Spare Parts list may supercede/replace the P/N shown in the text pages of this manual.**

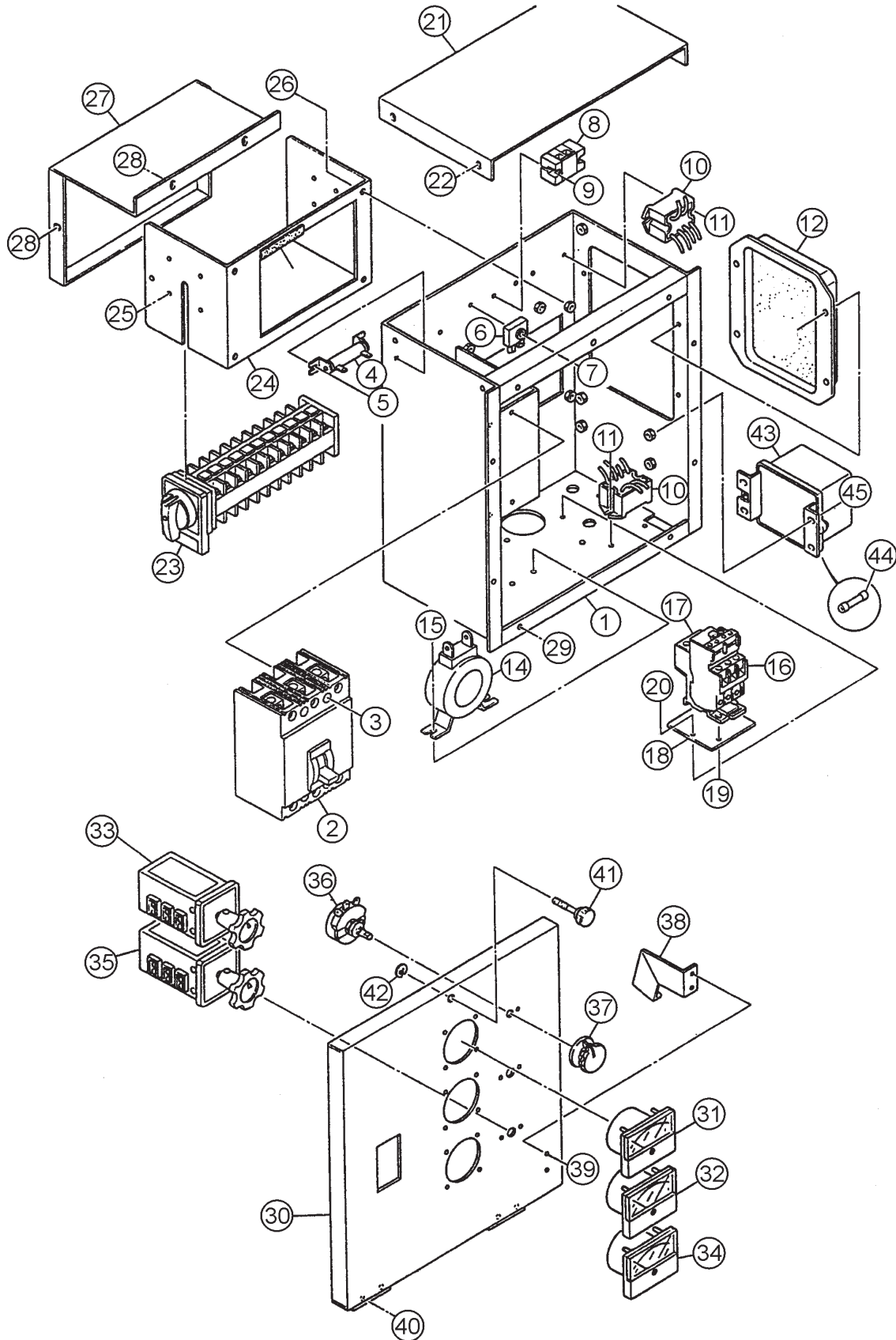
# GENERATOR ASSY.



# GENERATOR ASSY.

<u>NO.</u>	<u>PART NO.</u>	<u>ITEM</u>	<u>QTY.</u>	<u>REMARKS</u>
1	8351000002	ROTOR ASSY.	1	
2		FIELD ASSY.	1	
3	7961025004	RECTIFIER	1	
4	0601822630	SURGE ABSORBER .....	1	TNR26G471K
5	8001070003	FAN	1	
6	8351611004	COUPLING DISK	2	
7	8351612004	WASHER, COUPLING HUB	1	
8	8351615003	BALANCING PLATE	1	
9	0105091025	HEX. HEAD BOLT .....	4	REPLACES P/N 0010310025
10	0042610000	LOCK WASHER	4	
11	0601000209	BALANCING WEIGHT KIT	1	
12	042006308	BEARING .....	1	6308DDUC3; REPLACES P/N 0071906308
13	8351614003	COUPLING RING .....	1	REPLACES P/N M1163400103
14	0012108025	HEX. HEAD BOLT	6	
15	0042508000	LOCK WASHER	6	
16	0012108035	HEX. HEAD BOLT	6	
17	0042508000	LOCK WASHER	6	
18	B1130100203	STRATOR ASSY.	1	
19	0845041904	GROMMET	1	
20	8351350103A	FIELD ASSY. EXCITER .....	1	REPLACES 8351350103
21	0016008045	HEX. SOCKET HAD CAP SCREW	3	
22	0042508000	LOCK WASHER	3	
23	8351315003	END BRACKET	1	
24	011208035	HEX. HEAD BOLT .....	6	REPLACES P/N 0017108035
25	8351312004	PACKING	1	
26	8351331004	COVER, SUCTION	1	
27	0017106016	HEX. HEAD BOLT	3	
28	0105051045	HEX. HEAD BOLT .....	2	S/N7100001 TO 7102574; REPLACES P/N 0012110045
	0012310045	HEX. HEAD BOLT .....	2	S/N7102575~
	0207010000	HEX. NUT	2	
	030210250	LOCK WASHER	2	S/N7100001 TO 7102574; REPLACES P/N 0042510000
	020310080	HEX.NUT .....	2	REPLACES P/N 0030010000
29	0012110040	HEX. HEAD BOLT .....	4	S/N7100001 TO 7102574
	0012310040	HEX. HEAD BOLT .....	4	S/N7102575~
	0207010000	HEX. NUT	4	
	030210250	LOCK WASHER .....	4	S/N7100001 TO 7102574; REPLACES P/N 0042510000
30	8351332004	COVER, FAN	1	
31	0010106030	HEX.HEAD BOLT	1	
32	952404470	PLAIN WASHER .....	1	REPLACES P/N 0041206000
33	0605000008	RUBBER SUSPENSION .....	2	EA1009
34	0030012000	HEX NUT	2	
	0040012000	LOCK WASHER	2	
	031112230	PLAIN WASHER .....	2	REPLACES 0041212000

# CONTROL BOX ASSY.





# CONTROL BOX ASSY.

<u>NO.</u>	<u>PART NO.</u>	<u>ITEM</u>	<u>QTY.</u>	<u>REMARKS</u>
	M1246700514	WIRE HARNESS, GENERATOR.....	1	UP TO S/N7106114
	M1246700524	WIRE HARNESS, GENERATOR.....	1	S/N7106115~
1	M1213000202	CONTROL BOX .....	1	S/N7100001 TO 7102144
	M1213000212	CONTROL BOX .....	1	S/N7102145 TO 7102314
	M1213000222	CONTROL BOX .....	1	S/N7102315~
2	0601808810	CIRCUIT BREAKER .....	1	FAF340601021 3P 60A; UP TO S/N7106114
	0601808820	CIRCUIT BREAKER .....	1	S/N7106115~
3	021005080	MACHINE SCREW	4	
4	0601842384	RESISTOR .....	1	GG20W 50 OHM
5	0027104010	MACHINE SCREW	2	
6	0601821370	RECTIFIER .....	3	DE4503; REPLACES P/N 0601823240
7	0021004040	MACHINE SCREW	1	
	0040004000	LOCK WASHER	1	
	031104080	PLAIN WASHER .....	1	REPLACES P/N 0041204000
8	0601815925	TERMINAL BOARD .....	1	202HB SP
9	0027104020	MACHINE SCREW	2	
10	0601823863	RELAY UNIT .....	2	MSA9013A
11	0021304015	MACHINE SCREW .....	4	REPLACES P/N 0027104015
12	0601820671	AUTOMATIC VOLTAGE REGULATOR .....	1	NTA5A2DB
13	0027105010	MACHINE SCREW .....	4	S/N7100001 TO 7102574
	0027105015	MACHINE SCREW .....	4	S/N7102575~
14	0601806115	CURRENT TRANSFORMER .....	3	812943 50/5A
15	011808015	MACHINE SCREW .....	6	REPLACES P/N 0027106015
16	0601820845	OVER CURRENT RELAY .....	1	LR2D1308
17	0601820846	OVER CURRENT RELAY .....	1	LR7D1064
18	M1260600004	FITTING BRACKET .....	1	S/N7100001 TO 7102314
19	0021304015	MACHINE SCREW .....	2	S/N7100001 TO 7102314; REPLACES P/N 0027104015
	0030004000	HEX. NUT .....	2	REPLACES P/N 0207004000
20	0027104010	MACHINE SCREW	2	
21	M1213500203	CONTROL BOX COVER	1	
22	011106015	HEX. HEAD BOLT .....	4	REPLACES P/N 0016906015
23	M1923100004	SELECTOR SWITCH .....	1	VY40
24	M1213600104	SWITCH BRACKET .....	1	S/N7100001 TO 7102144

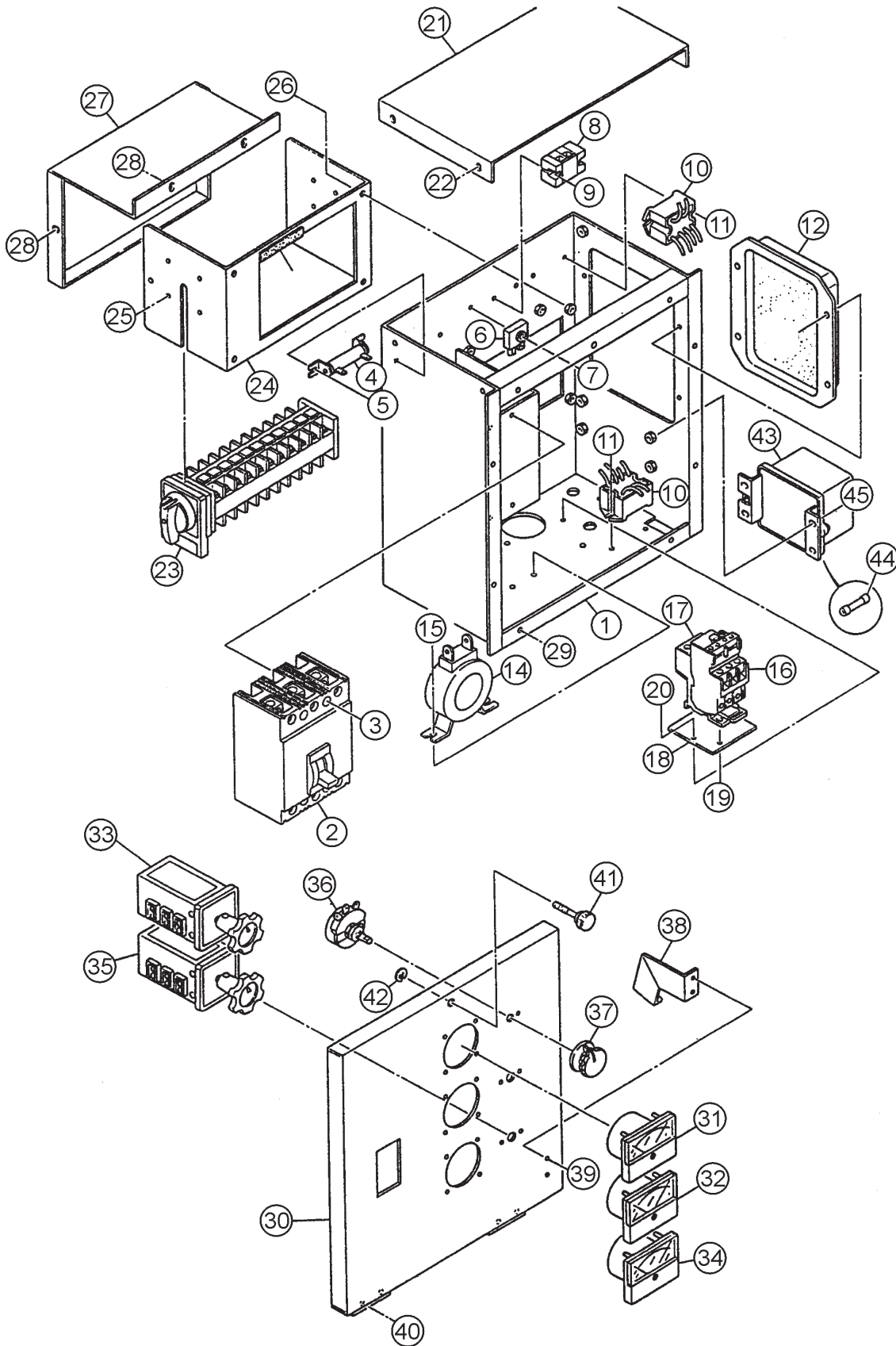
ADD THE FOLLOWING DIGITS AFTER THE PART NUMBER  
WHEN ORDERING ANY PAINTED PANEL TO INDICATE

COLOR OF UNIT:

1-ORANGE	5-BLACK
2-WHITE	6-CATERPILLAR YELLOW
3-SPECTRUM GRAY	7-CATO GOLD
4-SUNBELT GREEN	8-RED

THE SERIAL NUMBER MAY BE REQUIRED.

# CONTROL BOX ASSY.



# CONTROL BOX ASSY.

<u>NO.</u>	<u>PART NO.</u>	<u>ITEM</u>	<u>QTY.</u>	<u>REMARKS</u>
	M1213600114	SWITCH BRACKET .....	1 .....	S/N7102145
25	0027103010	MACHINE SCREW	4	
26	011106015	HEX. HEAD BOLT .....	4 .....	REPLACES P/N 0016906015
27	M1213600004	SWITCH COVER .....	1 .....	S/N7100001 TO 7102144
	M1213600014	SWITCH COVER .....	1 .....	S/N7102145~
28	011106015	HEX. HEAD BOLT .....	4 .....	S/N7100001 TO 7102059; REPLACES P/N 0016906015
	011106015	HEX. HEAD BOLT .....	3 .....	S/N7102059~; REPLACES P/N0016906015
29	0016906015	HEX. HEAD BOLT	8	
	0040506000	TOOTHED WASHER	1	
30	M1223000203	CONTROL PANEL	1	
31	0601807630	FREQUENCY METER,264250DJDJ9; .....	1 .....	REPLACES P/N 0601807696 UP TO S/N7105234
	0601807641	FREQ. METER, FCF6 45-65HZ 240V .....	1 .....	FROM S/N7105235~
32	0601808952	AC AMMETER,260240LSNT1 .....	1 .....	REPLACES 0601808991; UP TO S/N7105234
32	0601808985	AC AMMETER, ACF60-50A,0-100A/5A .....	1 .....	FROM S/N7105235~
33	0601801040	CHANGE-OVER SWITCH, AMMETER .....	1 .....	SL2AS
34	0601806813	AC VOLTMETER,260244SJSJ1; .....	1 .....	REPLACES P/N 0601806896 UP TO S/N7105234
	0601806859	AC VOLTMETER, SCF6 0-600V .....	1 .....	FROM S/N7105235~
35	0601801041	CHANGE-OVER SWITCH VOLTMETER ....	1 .....	SL2VS
36	0601840073	RHEOSTAT (VOLTAGE REGULATOR) .....	1 .....	RA20A2SE102BJ 2W 1K OHM
37	0601840121	KNOB	1	
38	M122310004	STOPPER	1	
39	0027105015	MACHINE SCREW .....	2 .....	S/N7100001 TO 7102674
	0027105010	MACHINE SCREW .....	2 .....	S/N7102675~
40	0027105015	MACHINE SCREW .....	4 .....	S/N7100001 TO 7102674
	0027105010	MACHINE SCREW .....	4 .....	S/N7102675~
41	M9220100004	SET SCREW	1	
42	0080200007	SNAP RING	1	
43	5825500422	EMERGENCY RELAY .....	1 .....	REPLACES P/N 0602200400
44	06018020132	FUSE	1	
45	011106015	HEX. HEAD BOLT .....	4 .....	REPLACES P/N 0016906015
46	0330000160	EDGING .....	2 .....	S/N7100131~

ADD THE FOLLOWING DIGITS AFTER THE PART NUMBER  
WHEN ORDERING ANY PAINTED PANEL TO INDICATE  
COLOR OF UNIT:

1-ORANGE	5-BLACK
2-WHITE	6-CATERPILLAR YELLOW
3-SPECTRUM GRAY	7-CATO GOLD
4-SUNBELT GREEN	8-RED

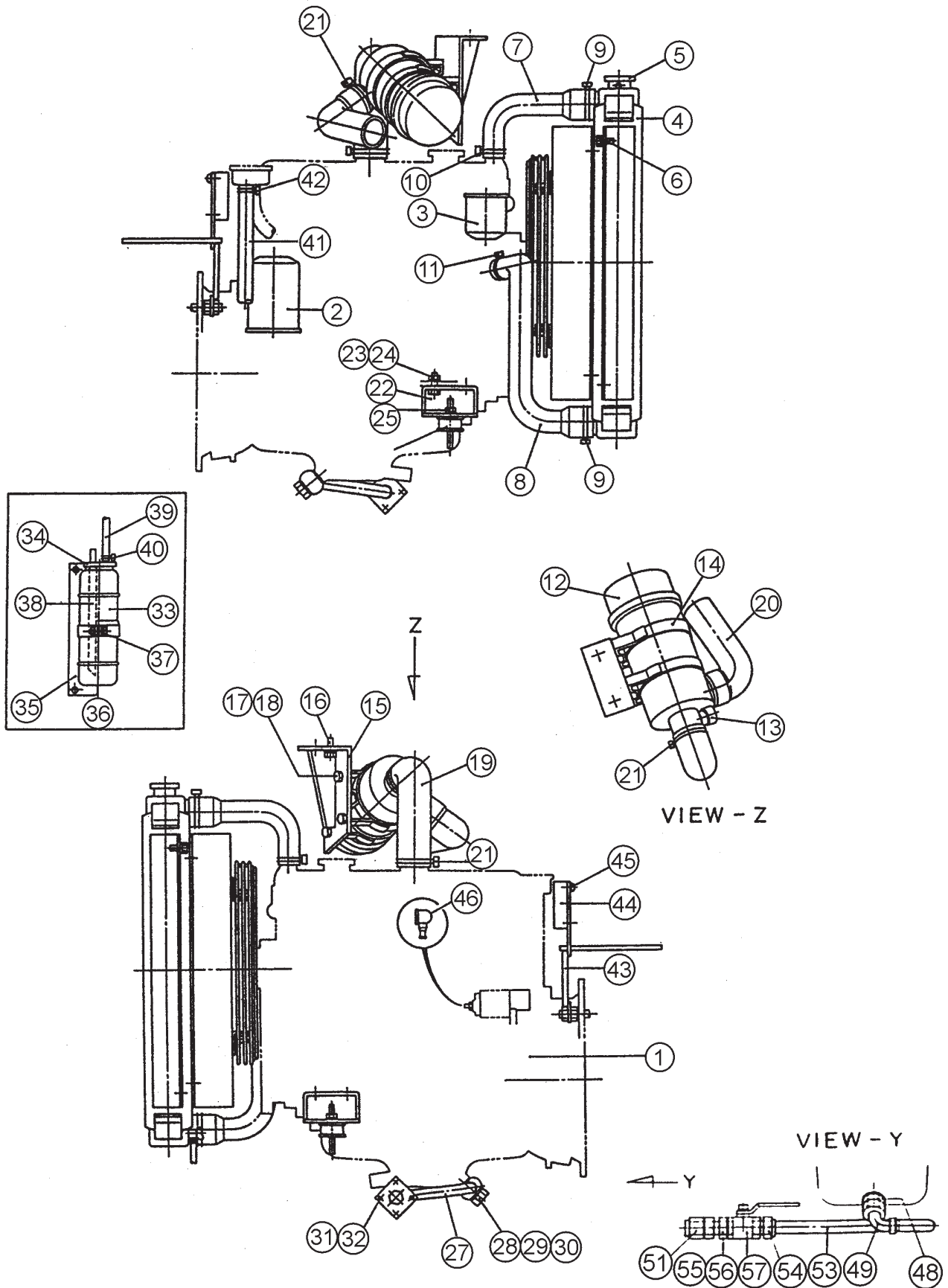
THE SERIAL NUMBER MAY BE REQUIRED.



# ENGINE AND RADIATOR ASSY.

<u>NO.</u>	<u>PART NO.</u>	<u>ITEM</u>	<u>QTY.</u>	<u>REMARKS</u>
1	M1923200004A	ENGINE .....	1 .....	ISUZU QD60(C240) S/N7100001 TO 7102685
	M1925200004	ENGINE .....	1 .....	ISUZU QD60(C240) S/N7102686~
	5136710400	FAN BELT .....	1 .....	REPLACES P/N 0602011401
2	8970246071	CARTRIDGE, OIL FILTER .....	1 .....	REPLACES P/N 0602041212
3	X132400150	CARTRIDGE, FUEL FILTER .....	1 .....	REPLACES P/N 0602042510
4	0602011996	RADIATOR .....	1 .....	C2810010000
5	0602011065	CAP .....	1 .....	C89C0115010
6	011008020	HEX. HEAD BOLT .....	6 .....	REPLACES 0016908020
7	0602014504	RADIATOR HOSE, UPER .....	1 .....	S/N7100001 TO 7101005
	M1310500103	RADIATOR HOSE, UPPER .....	1 .....	S/N7101006~
8	06020146010	RADIATOR HOSE, LOWER .....	1 .....	S/N7100001 TO 7101005
	M1310500203	RADIATOR HOSE, LOWER .....	1 .....	S/N7101006~
9	0602014334	HOSE BAND .....	2 .....	S/N7100001 TO 7100050
	0605515147	HOSE BAND .....	2 .....	S/N7100051~
10	0602014332	HOSE BAND .....	1 .....	S/N7100001 TO 7100050
	0605515149	HOSE BAND .....	1 .....	S/N7100051~
11	0602014333	HOSE BAND .....	1 .....	S/N7100001 TO 7100050
	0605515149	HOSE BAND .....	1 .....	S/N710051~
12	0602046231	AIR CLEANER .....	1 .....	S/N7100001 TO S/N7104749
	0602046580	AIR CLEANER .....	1 .....	S/N7104750~
	0602046356	ELEMENT, AIR CLEANER .....	1 .....	S/N7100001 TO S/N7104749;
	0602046321	ELEMENT, AIR CLEANER .....	1 .....	S/N7104750~
13	0602040650	INDICATOR, AIR CLEANER .....	1 .....	S/N7100001 TO S/N7104749
	0602040651	INDICATOR, AIR CLEANER .....	1 .....	S/N7104750~
14	0602040593	BAND, AIR CLEANER .....	2 .....	S/N7100001 TO 7104749
	0602040552	BAND, AIR CLEANER .....	1 .....	S/N7104750~
15	M1373200003	BRACKET, AIR CLEANER .....	1 .....	S/N7100001 TO S/N7104749
16	012210025	HEX. HEAD BOLT .....	2 .....	S/N7100001 TO S/N7104749;
				REPLACES P/N 0016910025
17	011008020	HEX. HEAD BOLT .....	4 .....	S/N7100001 TO 7100050;
				REPLACES P/N 0016908020
18	0013003008	HEX. HEAD BOLT .....	4 .....	S/N7100051 TO S/N7104749
	0016908030	HEX. HEAD BOLT .....	2 .....	S/N7104750~
19	020108060	HEX. NUT .....	4 .....	S/N7100001 TO 7100050;
				REPLACES P/N 0207008000
	0036203000	HEX.NUT .....	4 .....	S/N7100051 TO S/N7104749
	020108060	HEX.NUT .....	2 .....	S/N7104750~; REPLACES P/N 0207008000
	0043003000	LOCK WASHER .....	4 .....	S/N710051 TO S/N7104749
	0043103000	PLAIN WASHER .....	4 .....	S/N7100051 TO S/N7104749
	8352032303	HOSE, AIR CLEANER .....	1 .....	REPLACES P/N M1373100103
20	M137310004	HOSE, AIR CLEANER .....	1 .....	
21	0605515010	HOSE BAND .....	3 .....	S/N7100001 TO S/N7100050
	060551547	HOSE BAND .....	3 .....	S/N7100051~
22	M1303200004	ENGINE FOOT .....	2 .....	

# ENGINE AND RADIATOR ASSY. CONT'D

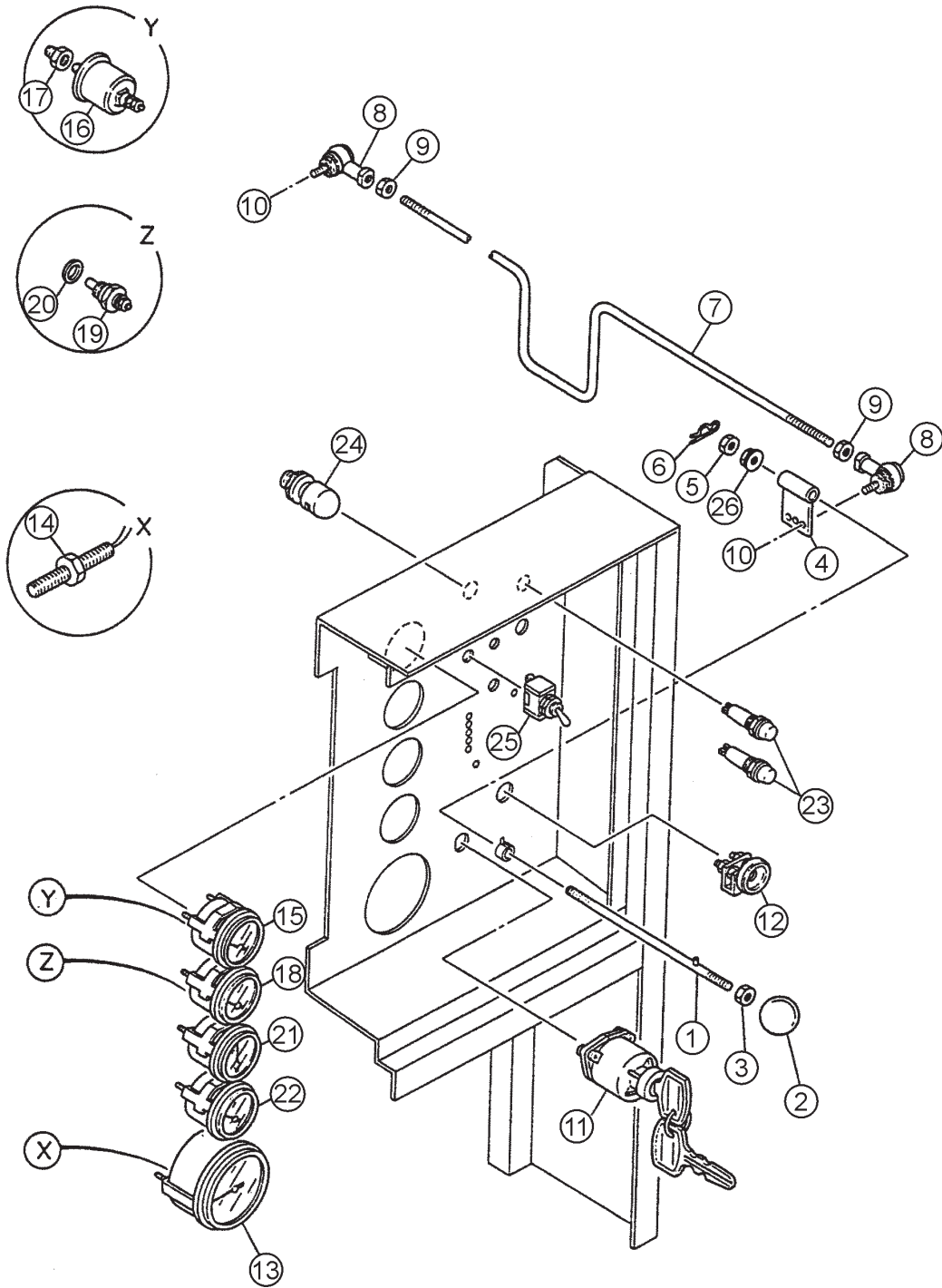




# ENGINE AND RADIATOR ASSY. CONT'D

<u>NO.</u>	<u>PART NO.</u>	<u>ITEM</u>	<u>QTY.</u>	<u>REMARKS</u>
23	012010030	HEX. HEAD BOLT .....	4	REPLACES P/N 0017110030
24	0207010000	HEX. NUT	4	
25	0605000008	RUBBER SUSPENSION	2	
26	020701000	HEX. NUT	2	
27	M1320200003	DRAIN PIPE .....	1	S/N7100001 TO S/N7100130
28	M1320300204	PACKING, OIL PAN SIDE .....	1	S/N7100001 TO S/N7100130; REPLACES P/N M1320300204
29	9095720240	PACKING .....	1	S/N7100001 TO S/N7100130; REPLACES P/N 0602021107
30	M1320300104	JOINT BOLT .....	1	S/N7100001 TO S/N7100130
31	011206020	HEX. HEAD BOLT .....	2	S/N7100001 TO S/N7100130; REPLACES P/N 0016906020
32	0207006000	HEX. NUT .....	2	S/N7100001 TO S/N7100130
33	M9300000003	RESERVE TANK	1	
34	M9300100003	CAP, RESERVE TANK	1	
35	M1316100204	BRACKET, RESERVE TANK	1	
36	0229200300	RUBBER CUSHION .....	1	S/N7100001 TO S/N7100150
37	011206020	HEX. HEAD BOLT .....	1	S/N7100001 TO S/N7100150; REPLACES P/N 0016906020
38	0199100215	HOSE	1	
39	0193601450	HOSE	1	
40	0605515106	HOSE BAND .....	1	S/N7100001 TO S/N7100150
41	0194500600	HOSE .....	1	S/N7100001 TO S/N7100150
42	0605515003	HOSE BAND .....	2	S/N7100001 TO S/N7100150
43	M1483600503	CLAMP BAR .....	1	REPLACES P/N M1483600103
44	5819000200	ENGINE STOPPER .....	1	REPLACES P/N 06022108020
	06018020132	FUSE	1	
45	011808015	MACHINE SCREW .....	3	REPLACES P/N 0027106015
46	0602220621	TERMINAL COVER .....	1	S/N7100001 TO S/N7100150
47	0602022560	ADAPTER .....	1	S/N7100131~
48	M1320300304	PACKING .....	1	S/N7100131~
49	0602025561	90° ELBOW .....	1	S/N7100131~
50	0602022562	UNION .....	1	S/N7100131 TO S/N7104749
51	0602022792	SWIVEL .....	1	S/N 7100131 TO S/N7104749
52	0602021070	CAP .....	1	S/N 7100131~
53	0602021570	DRAIN HOSE .....	1	S/N 7100131 TO S/N7104749
	0269200660	DRAIN HOSE .....	1	S/N7104750~
54	0603306395	HOSE JOINT .....	1	S/N7104750~
55	0603306590	CONNECTOR .....	1	S/N7104750~
56	0603300285	ROCK NUT .....	1	S/N7104750~
57	0605511395	VALVE .....	1	S/N7104750~

# ENGINE OPERATING PANEL ASSY.





# ENGINE OPERATING PANEL ASSY.

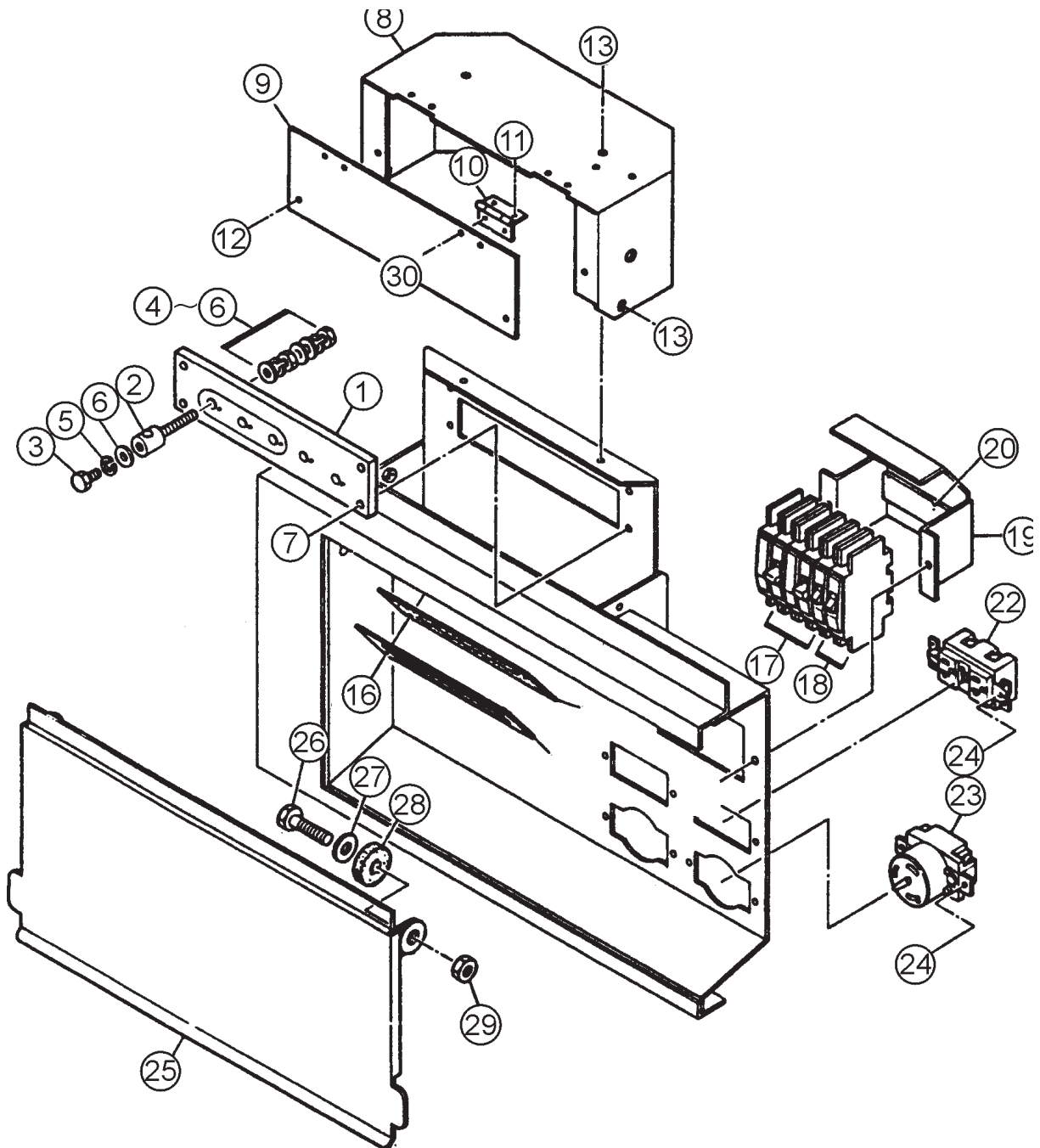
<u>NO.</u>	<u>PART NO.</u>	<u>ITEM</u>	<u>QTY.</u>	<u>REMARKS</u>
	M1357200102A	WIRE HARNESS, ENGINE	1	
1	M1354300304	SLIDE LEVER	1	
2	0601840190	KNOB .....	1	REPLACES P/N M9320000004
3	020108060	HEX. NUT .....	1	REPLACES P/N 0036003000
4	M1354200004	BRACKET .....	1	ASK CUST. SVC. FOR COLOR
5	020108060	HEX. NUT .....	1	REPLACES P/N 0030008000
6	0605010503	SNAP PIN	1	
7	M1354300204	GOVERNOR ROD	1	
8	0602180106	BALL JOINT .....	2	LHSA8DE161
9	020108060	HEX. NUT .....	2	REPLACES P/N 0030008000
10	0207006000	HEX. NUT	2	
	0041206000	PLAIN WASHER	2	
11	1823100080	STARTER SWITCH .....	1	REPLACES P/N 0602100004
12	8944626110	PREHEAT LAMP .....	1	REPLACES P/N 0602102066
13	0602120095	TACHOMETER .....	1	103680
14	0602120480	PICK UP, TACHOMETER .....	1	7154400
15	0602122093	OIL PRESSURE GAUGE .....	1	100174
16	0602122272	OIL PRESSURE UNIT .....	1	102225; S/N7100001 TO S/N7101239; REPLACES P/N 0602122207
17	M9200100004	ADAPTER	1	
18	0602123090	WATER TEMPERATURE GAUGE .....	1	100683
19	0602123201	WATER TEMPERATURE UNIT .....	1	0209400
20	9095720140	PACKING .....	1	REPLACES P/N 0602121109
21	0602121080	CHARGING AMMETER .....	1	100158
22	0602128090	FUEL GAUGE .....	1	100176
23	0602103092	ALARM LAMP .....	2	PL05
	0601810245	BULB .....	2	E10 T10 DC18V
24	0601810141	PANEL LIGHT .....	1	ISUZU 9826800370
25	0601831330	SWITCH, PANEL LIGHT .....	1	900001
26	020108060	HEX. NUT .....	1	REPLACES P/N 0207008000

ADD THE FOLLOWING DIGITS AFTER THE PART NUMBER  
WHEN ORDERING ANY PAINTED PANEL TO INDICATE  
COLOR OF UNIT:

1-ORANGE	5-BLACK
2-WHITE	6-CATERPILLAR YELLOW
3-SPECTRUM GRAY	7-CATO GOLD
4-SUNBELT GREEN	8-RED

THE SERIAL NUMBER MAY BE REQUIRED.

# OUTPUT TERMINAL ASSY.



ADD THE FOLLOWING DIGITS AFTER THE PART NUMBER  
WHEN ORDERING ANY PAINTED PANEL TO INDICATE  
COLOR OF UNIT:

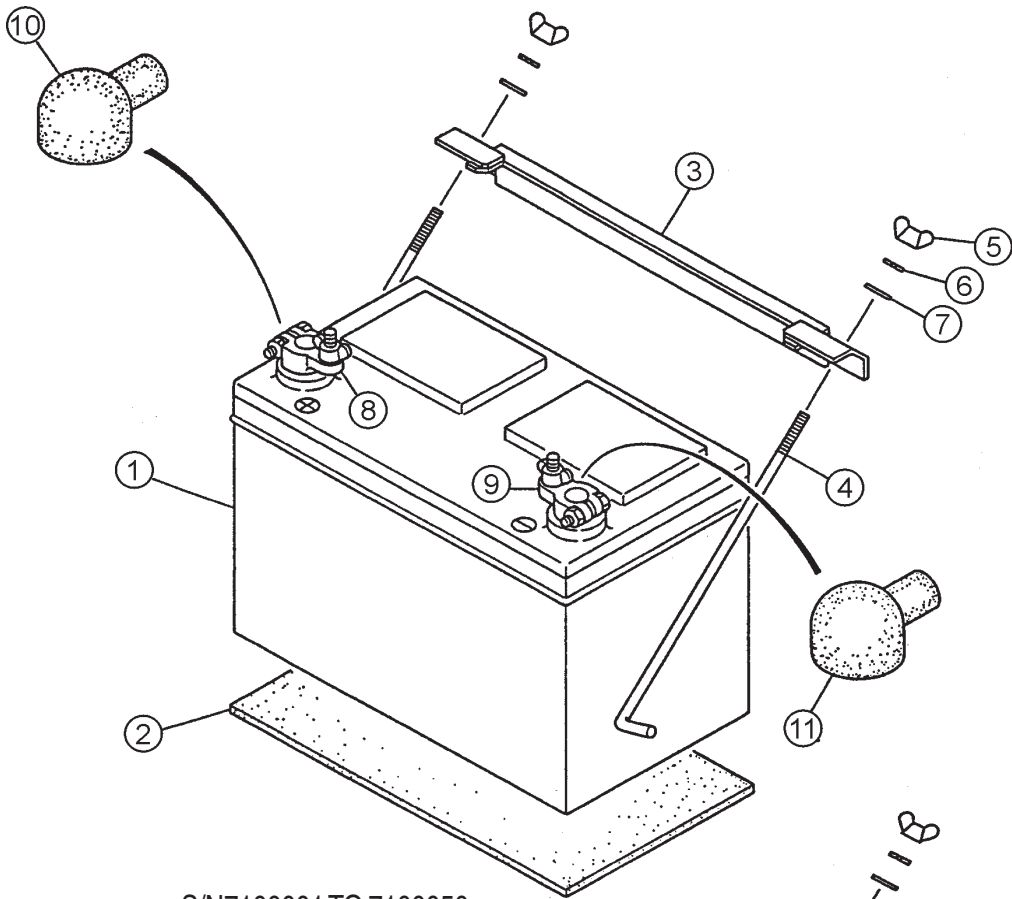
1-ORANGE	5-BLACK
2-WHITE	6-CATERPILLAR YELLOW
3-SPECTRUM GRAY	7-CATO GOLD
4-SUNBELT GREEN	8-RED

THE SERIAL NUMBER MAY BE REQUIRED.

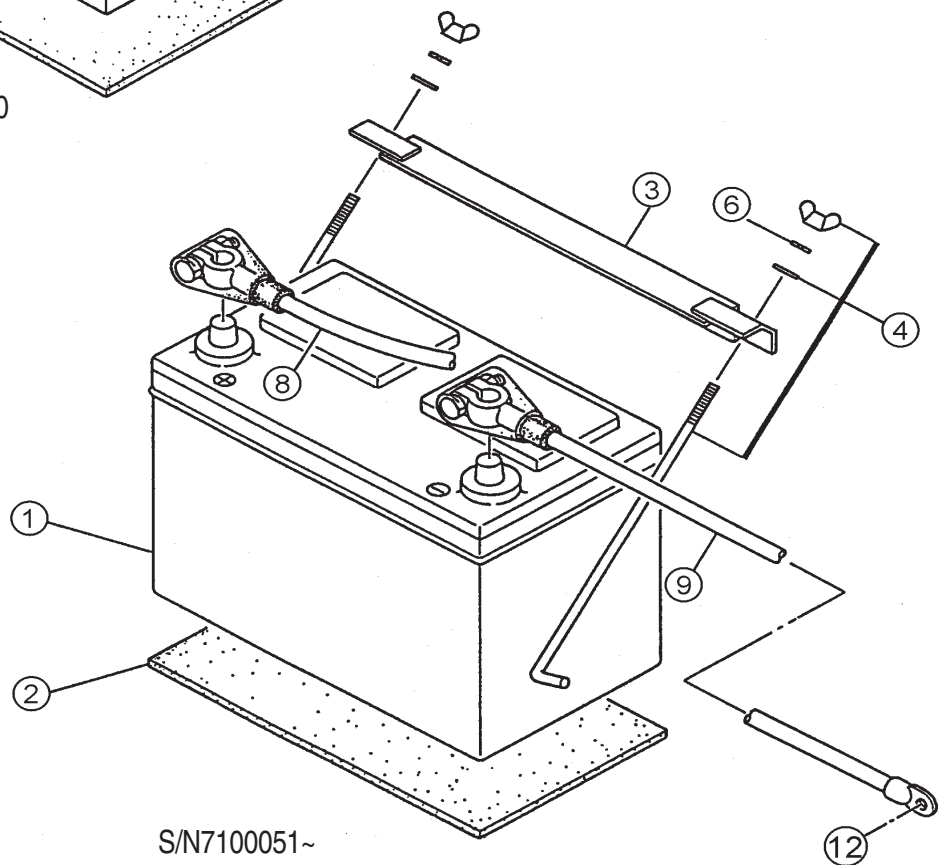
# OUTPUT TERMINAL ASSY.

<u>NO.</u>	<u>PART NO.</u>	<u>ITEM</u>	<u>QTY</u>	<u>REMARKS</u>
1	8091860103	TERMINAL PANEL .....	1	REPLACES P/N M1230700003
2	0801830104A	OUTPUT TERMINAL BOLT .....	5	REPLACES P/N M922000004
3	0801832204	TIE BOLT .....	5	REPLACES P/N M9220000104
4	0039308000	HEX. NUT	10	
5	0040008000	LOCK WASHER	15	
6	0041408000	PLAIN WASHER	20	
7	011606025	HEX. HEAD BOLT .....	4	S/N7100001 TO S/N7102674; REPLACES P/N 0016906025
	011206020	HEX. HEAD BOLT .....	4	S/N7102675~
8	M1236100303	TERMINAL COVER .....	1	S/N7100001 TO S/N7102784
	M1236100313	TERMINAL COVER .....	1	S/N7102785~
9	M1236100404	OUTPUT WINDOW	1	
10	0605010040	HINGE	2	
11	0027103010	MACHINE SCREW	4	
	0207003000	HEX.NUT .....	4	REPLACES P/N 0030003000
	58413	PLAIN WASHER .....	4	REPLACES P/N 0041203000
12	011206020	HEX. HEAD BOLT .....	2	REPLACES P/N 0016906020
13	011106015	HEX. HEAD BOLT .....	4	REPLACES P/N 0016906015
14	M1236400004	CABLE OUTLET COVER	1	
15	M1236300004	SUPPORTER, CABLE OUTLET COVER	1	
16	011206020	HEX. HEAD BOLT .....	6	REPLACES P/N 0016906020
17	0601808804	CIRCUIT BREAKER .....	2	QOU250B 2P 50A
18	06018088030	CIRCUIT BREAKER .....	2	QOU120B 1P 50A
19	M1260700204	BREAKER FITTING COVER	1	
20	0222100115	CUSHION RUBBER	1	
21	011206020	HEX. HEAD BOLT .....	2	REPLACES P/N 0016906020
22	0601812597	RECEPTACLE .....	2	GF530EM125V 20AX2 REPLACES P/N 0601812549
23	0601811034	RECEPTACLE	2	CA6369 250V 50A ; REPLACES P/N 0601812538
24	0021304015	MACHINE SCREW .....	8	REPLACES P/N 0027104015
	0030004000	HEX. NUT .....	8	REPLACES P/N 0207004000
25	M1236100503	TERMINAL COVER	1	
26	012212045	HEX.HEAD BOLT .....	2	REPLACES P/N 0010112045
27	031112230	PLAIN WASHER .....	2	REPLACES P/N 0041212000
28	M9310200004	STAY RUBBER	2	
29	0030012000	HEX. NUT	2	
30	0027103010	MACHINE SCREW	4	
	0207003000	HEX. NUT .....	4	REPLACES P/N 0030003000

# BATTERY ASSY.



S/N710001 TO 7100050



S/N7100051~

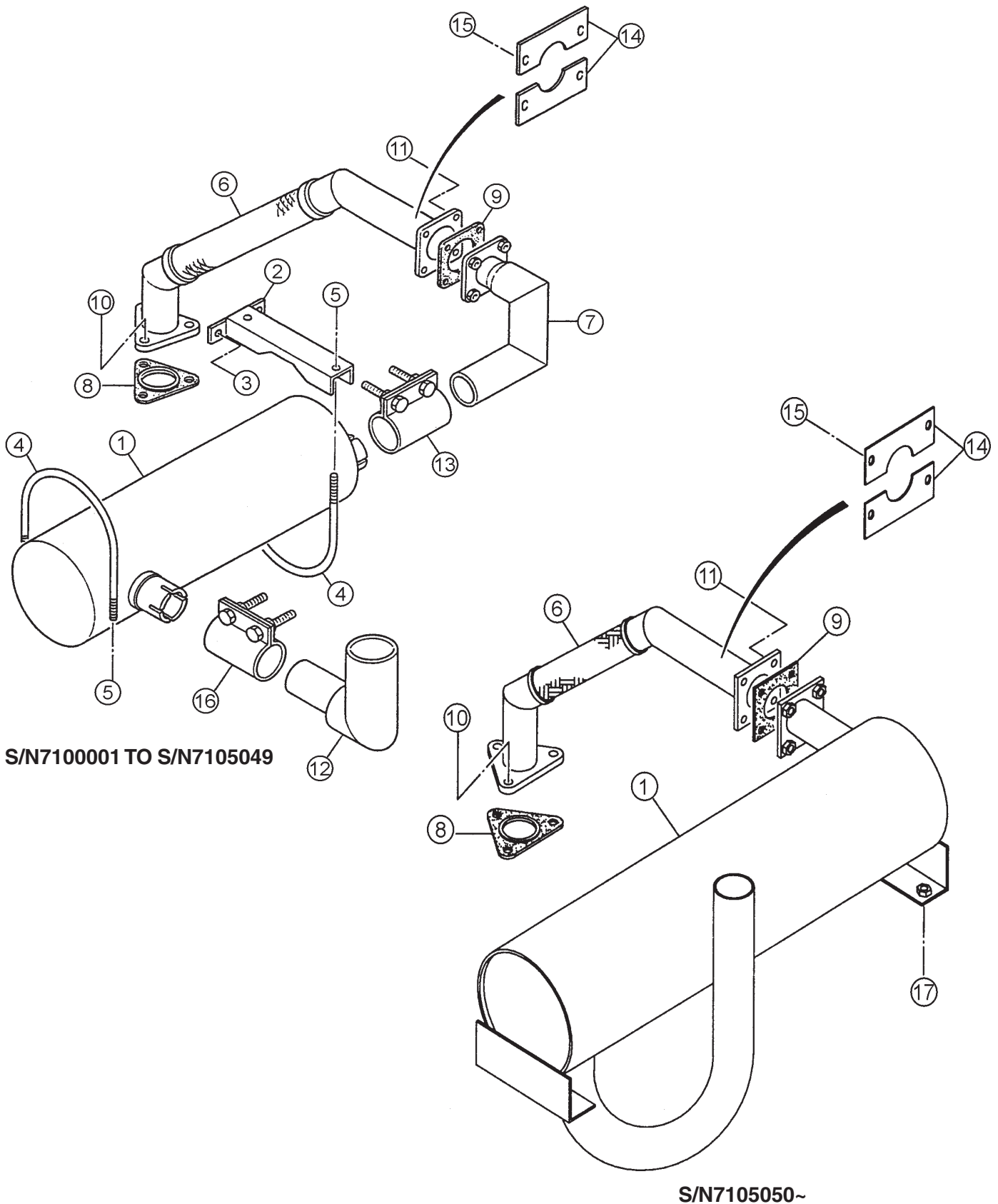
<u>NO.</u>	<u>PART NO.</u>	<u>ITEM</u>	<u>QTY.</u>	<u>REMARKS</u>
1	0602220185	BATTERY .....	1 .....	427MF
2	M9310500014	BATTERY SHEET	1	
3	M9103000304	BATTERY BAND	1	
4	M0602220920	BATTERY BOLT SET .....	2 .....	BHL10J;REPLACES M9103200004
5	0037808000	WING NUT .....	2 .....	S/N7100001 TO S/N7100050
6	0040008000	LOCK WASHER .....	2 .....	S/N7100001 TO S/N7100050
	0040006000	LOCK WASHER .....	2 .....	S/N7100051~
7	031108160	PLAIN WASHER .....	2 .....	S/N7100001 TO S/N7100050; REPLACES P/N 0041208000
8	0602220310	TERMINAL ASSY. ....	1 .....	NO.9P S/N7100001 TO S/N7100050
	M134640004	BATTERY CABLE .....	1 .....	S/N7100051~
9	0602220311	TERMINAL ASSY. ....	1 .....	NO.9P S/N7100001 TO S/N7100050
	M1346400104	BATTERY CABLE .....	1 .....	S/N7100051 TO S/N7101005
	M2346400104	BATTERY CABLE .....	1 .....	S/N7101006~
10	M1346400004	TERMINAL COVER .....	1 .....	S/N7100001 TO S/N7100050; REPLACES P/N M9310000304
11	M1346400104	TERMINAL COVER .....	1 .....	S/N7100001 TO S/N7100050; REPLACES P/N M9310000204
12	0016910020	HEX. HEAD BOLT .....	1 .....	S/N7100051~
	0040510000	TOOTHED WASHER .....	1 .....	S/N7100051~

ADD THE FOLLOWING DIGITS AFTER THE PART NUMBER  
WHEN ORDERING ANY PAINTED PANEL TO INDICATE  
COLOR OF UNIT:

1-ORANGE	5 -BLACK
2-WHITE	6 -CATERPILLAR YELLOW
3 -SPECTRUM GRAY	7 -CATO GOLD
4 -SUNBELT GREEN	8 -RED

THE SERIAL NUMBER MAY BE REQUIRED.

# MUFFLER ASSY.



# MUFFLER ASSY.

<u>NO.</u>	<u>PART NO.</u>	<u>ITEM</u>	<u>QTY.</u>	<u>REMARKS</u>
1	0602300160	MUFFLER;MAM060249 .....	1 .....	S/N7100001 TO 7105049
1	0602300390	MUFFLER .....	1 .....	S/N7105050~
2	M133040004	MUFFLER SUPPORTER .....	1 .....	S/N7100001 TO 7105049
3	011008020	HEX. HEAD BOLT .....	2 .....	REPLACES P/N 0016908020; S/N7100001 TO 7105049
3	011008020	HEX. HEAD BOLT .....	4 .....	REPLACES P/N 0016908020; S/N7105050~
4	M1330400104	U BOLT	2	S/N7100001 TO 7105049
5	020108060	HEX. NUT .....	4 .....	REPLACES P/N 0037908000; S/N7100001 TO 7105049
	031108160	PLAIN WASHER .....	4 .....	REPLACES P/N 0041208000; S/N7100001 TO 7105049
6	M1333000703	EXHAUST PIPE	1	
7	M1333000803	EXHAUST PIPE .....	1 .....	S/N7100001 TO 7105049
8	8943811610	GASKET .....	1 .....	REPLACES P/N 0602320102
9	M1333200004	GASKET .....	1 .....	S/N 7100001 TO S/N7100865
	M1333200014	GASKET .....	1 .....	S/N7100866~
10	9098400850	HEX. NUT .....	3 .....	REPLACES P/N 0602323001
	0040010000	LOCK WASHER	3	
11	0016908035	HEX. HEAD BOLT	4	
12	M1333000604	TAIL PIPE .....	1 .....	S/N7100001 TO 7105049
13	0602325021	SEAL CLAMP .....	1 .....	S/N7100001 TO 7105049
14	M1330400204	COVER	2	
15	011106015	HEX. HEAD BOLT .....	4 .....	REPLACES P/N 0016906015
16	0602325020	SEAL CLAMP .....	1 .....	S/N7100001 TO 7105049
17	011008020	HEX. HEAD BOLT .....	4 .....	REPLACES P/N 0016908020;S/N7105050~

ADD THE FOLLOWING DIGITS AFTER THE PART NUMBER  
WHEN ORDERING ANY PAINTED PANEL TO INDICATE

COLOR OF UNIT:

1-ORANGE

5-BLACK

2-WHITE

6-CATERPILLAR YELLOW

3-SPECTRUM GRAY

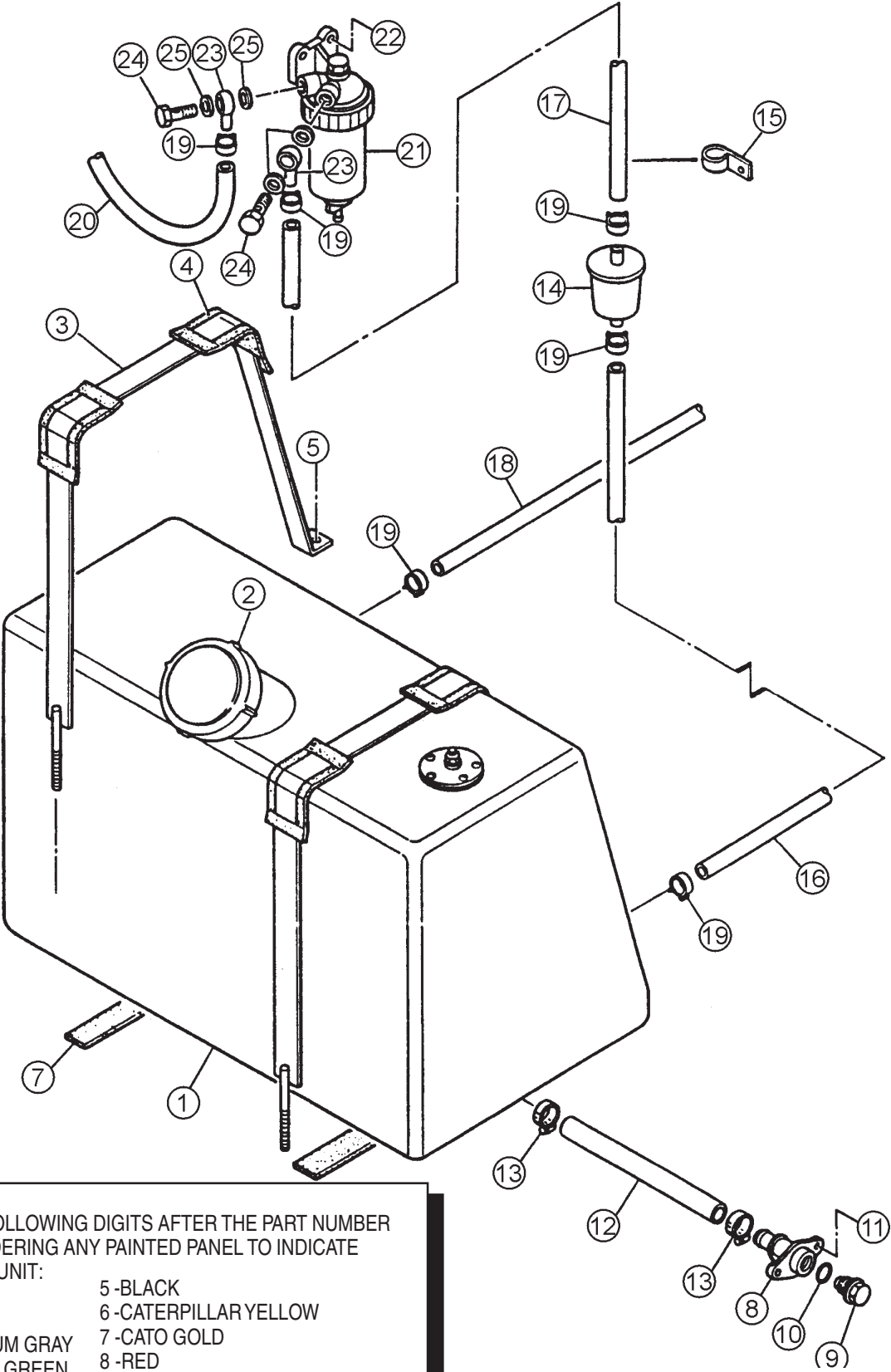
7-CATO GOLD

4-SUNBELT GREEN

8-RED

THE SERIAL NUMBER MAY BE REQUIRED.

# FUEL TANK ASSY.



ADD THE FOLLOWING DIGITS AFTER THE PART NUMBER  
WHEN ORDERING ANY PAINTED PANEL TO INDICATE  
COLOR OF UNIT:

- |                 |                      |
|-----------------|----------------------|
| 1-ORANGE        | 5-BLACK              |
| 2-WHITE         | 6-CATERPILLAR YELLOW |
| 3-SPECTRUM GRAY | 7-CATO GOLD          |
| 4-SUNBELT GREEN | 8-RED                |

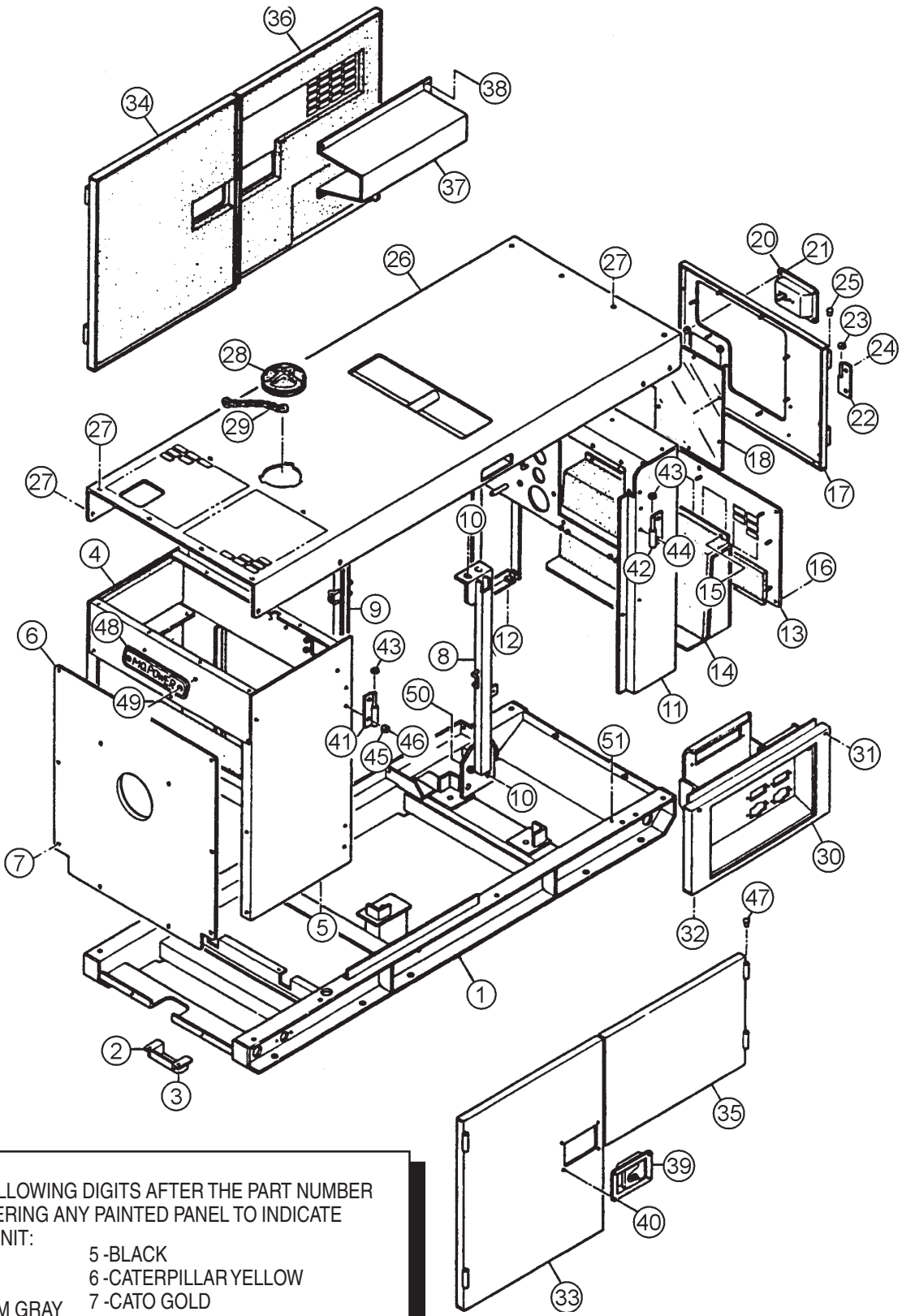
THE SERIAL NUMBER MAY BE REQUIRED.



# FUEL TANK ASSY.

<u>NO.</u>	<u>PART NO.</u>	<u>ITEM</u>	<u>QTY.</u>	<u>REMARKS</u>
1	M1363000202	FUEL TANK	1	
2	0605505070	CAP, FUEL TANK	1	
3	M1363200004	TANK BAND	2	
4	M9310500104	SUPPORTER SHEET	4	
5	011008020	HEX. HEAD BOLT .....	2 .....	REPLACES P/N 0016908020
6	00379080000	HEX. NUT .....	2 .....	S/N7100001 TO S/N7101449; REPLACES P/N 0037908000
	0207308000	HEX. NUT .....	2 .....	S/N7101450~
	031108160	PLAIN WASHER .....	2 .....	S/N7100001 TO S/N7101449; REPLACES P/N 0041208000
7	0222100080	RUBBER SHEET	4	
8	1502025103C	DRAIN JOINT .....	1 .....	REPLACES P/N M9200000003
9	M9200200004	DRAIN BOLT	1	
10	0150000018	O RING	1	
11	011206020	HEX. HEAD BOLT .....	2 .....	REPLACES P/N 0016906020
12	M1363400104	DRAIN HOSE	1	
13	06015515198	HOSE BAND .....	2 .....	REPLACES P/N 0605515064
14	0602042420	FUEL FILTER .....	1 .....	PTG15P
15	0602220911	CLAMP	1	
16	0191300730	SUCTION HOSE	1	
17	0191300380	SUCTION HOSE .....	1 .....	S/N7100001 TO S/N7102685
	0191300920	SUCTION HOSE .....	1 .....	S/N7102686~
18	0191301060	RETURN HOSE	1	
19	0605515109	HOSE BAND .....	6 .....	S/N7100001 TO S/N7102685
	0605515109	HOSE BAND .....	8 .....	S/N7102686~
20	0191300520	SUCTION HOSE .....	1 .....	S/N7102686~
21	1132008410	WATER SEDIMENTER .....	1 .....	S/N7102686~; REPLACES P/N 0602042512
22	0016908025	HEX. HEAD BOLT .....	2 .....	S/N7102686~
23	5154115680	PIPE .....	2 .....	S/N7102686~; REPLACES P/N 0602042660 AND 5154112231
24	1096751460	JOINT BOLT .....	2 .....	S/N7102686~; REPLACES P/N 0602042620 AND 9099063251
25	9095720140	PACKING .....	4 .....	S/N7102686~; REPLACES P/N 0602042640

# ENCLOSURE ASSY.



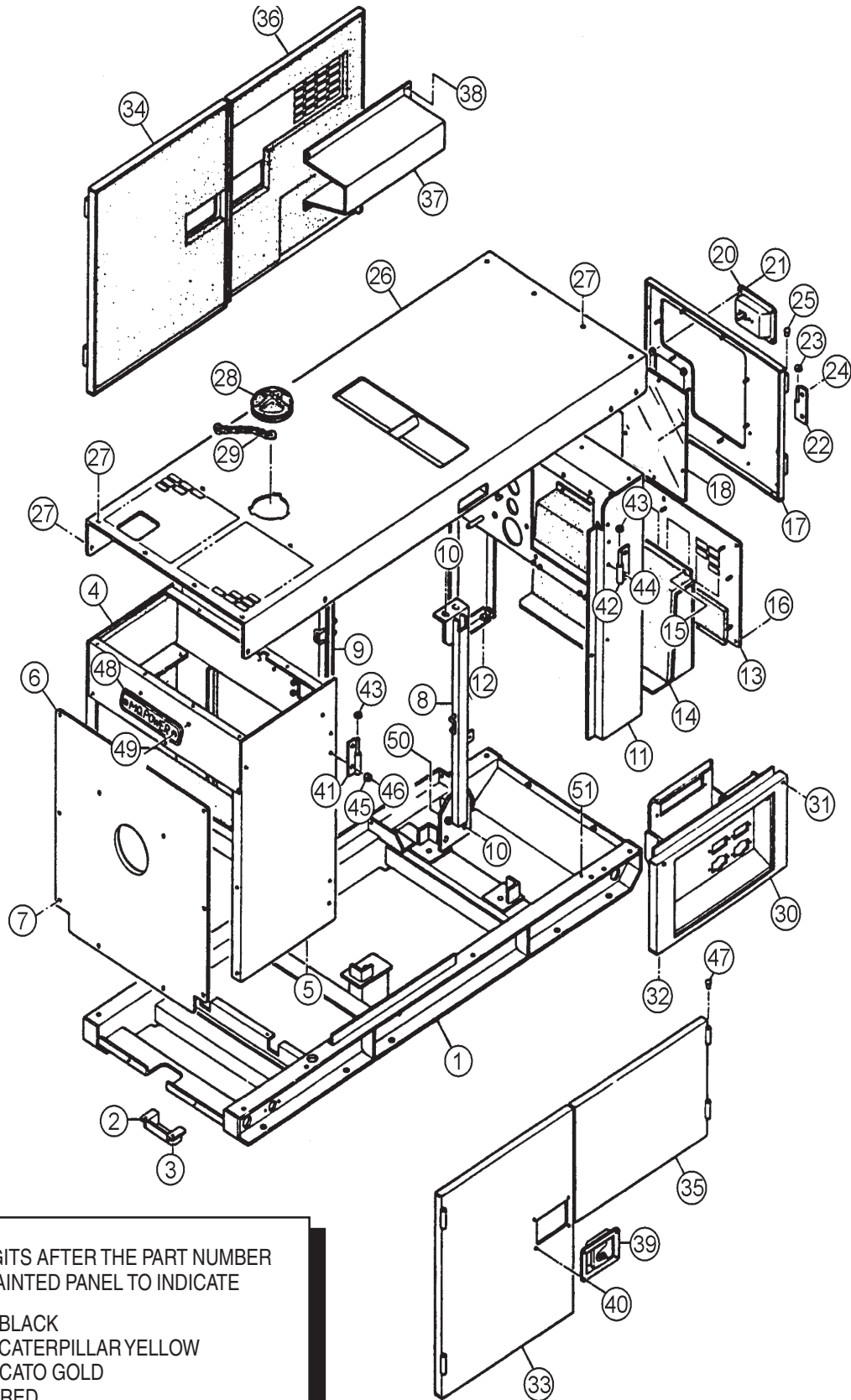
ADD THE FOLLOWING DIGITS AFTER THE PART NUMBER  
WHEN ORDERING ANY PAINTED PANEL TO INDICATE  
COLOR OF UNIT:

- |                 |                      |
|-----------------|----------------------|
| 1-ORANGE        | 5-BLACK              |
| 2-WHITE         | 6-CATERPILLAR YELLOW |
| 3-SPECTRUM GRAY | 7-CATO GOLD          |
| 4-SUNBELT GREEN | 8-RED                |

THE SERIAL NUMBER MAY BE REQUIRED.

<u>NO.</u>	<u>PART NO.</u>	<u>ITEM</u>	<u>QTY.</u>	<u>REMARKS</u>
1	M1413000212	BASE .....	1	S/N7100291 TO S/N7104749 REPLACES P/N M1413000202
	M1413000222	BASE .....	1	S/N7104750~
2	M1413400004	UNDER COVER	1	
3	011008020	HEX. HEAD BOLT .....	2	REPLACES P/N 0016908020
4	M1423000302	FRONT FRAME .....	1	S/N7100001 TO 7105049
	M1493100503	ACOUSTIC SHEET .....	1	S/N7100001 TO 7105049
	M1423000312	FRONT FRAME .....	1	S/N7105050~
	M1493100513	ACOUSTIC SHEET .....	1	S/N7105050~
5	011008020	HEX.HEAD BOLT .....	4	REPLACES P/N 0016908020
6	M1423200304	COVER, FRONT FRAME	1	
	M1493100604	ACOUSTIC SHEET	1	
7	011008020	HEX HEAD BOLT .....	11	REPLACES P/N 0016908020
8	M1433000203	CENTER FRAME	1	
9	M1433000303	CENTER FRAME	1	
10	0010114030	HEX. HEAD BOLT	8	
	030214350	LOCK WASHER .....	8	REPLACES P/N 0040014000
	031114260	PLAIN WASHER .....	8	REPLACES P/N 0041214000
11	M1443000502	REAR FRAME	1	
12	011008020	HEX. HEAD BOLT .....	4	REPLACES P/N 0016908020
	0040508000	TOOTHED WASHER	1	
13	M1443300513	REAR COVER .....	1	REPLACES P/N M1443300503
	M1493300304	ACOUSTIC SHEET	1	
14	M1443300403	DUCT, REAR COVER	1	
	M1493300404	ACOUSTIC SHEET	1	
15	0207006000	HEX. NUT	7	
16	011008020	HEX. HEAD BOLT .....	6	S/N7100001 TO S/N7100290; REPLACES P/N 0016908020
	011008020	HEX. HEAD BOLT .....	7	S/N7100291~; REPLACES P/N 0016908020
17	M1443200613	REAR DOOR .....	1	REPLACES P/N M1443200603
18	M1443600004	WINDOW PLATE .....	1	S/N7100001 TO S/N7100725
	M1443600104	WINDOW PLATE .....	1	S/N7100726 TO S/N7101589
	M1443600114	WINDOW PLATE .....	1	S/N7101590~
19	020106050	HEX. NUT .....	6	S/N7100001 TO S/N7101449; REPLACES P/N 0037906000
	0027306000	HEX. NUT .....	6	S/N7101450 TO S/N7101589
	0207306000	HEX. NUT .....	8	S/N7101590~
	952404470	PLAIN WASHER .....	12	S/N7100001 TO S/N7101449; REPLACES P/N 0041206000
	952404470	PLAIN WASHER .....	6	S/N7101450 TO S/N7101589; REPLACES P/N 0041206000
	952404470	PLAIN WASHER .....	8	S/N7101590~; REPLACES P/N 0041206000
20	M911300002	DOOR HANDLE ASSY.	1	
21	0021706015	MACHINE SCREW	4	

# DCA-25SSIU --- ENCLOSURE ASSY.



ADD THE FOLLOWING DIGITS AFTER THE PART NUMBER  
WHEN ORDERING ANY PAINTED PANEL TO INDICATE  
COLOR OF UNIT:

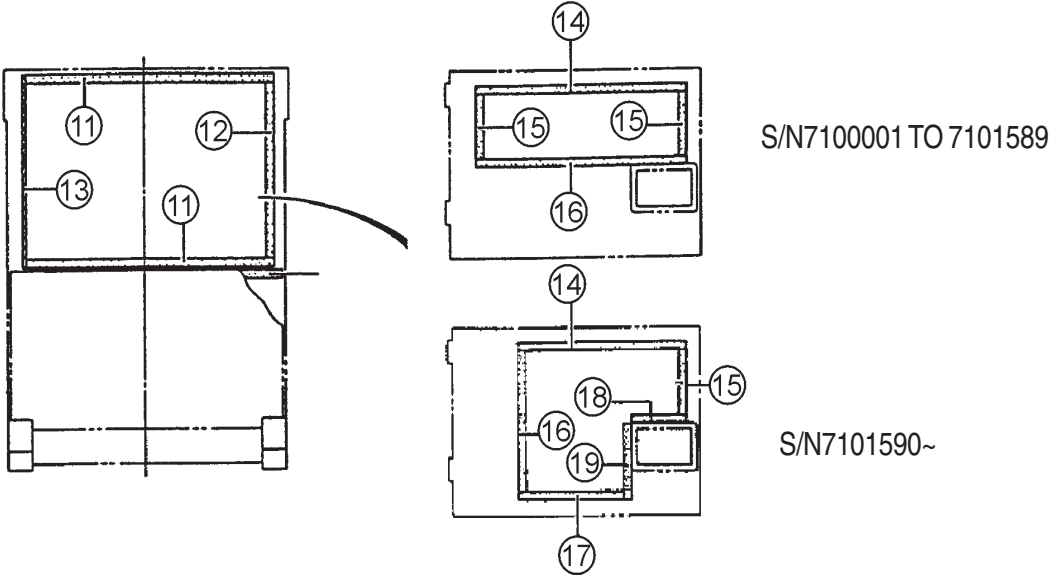
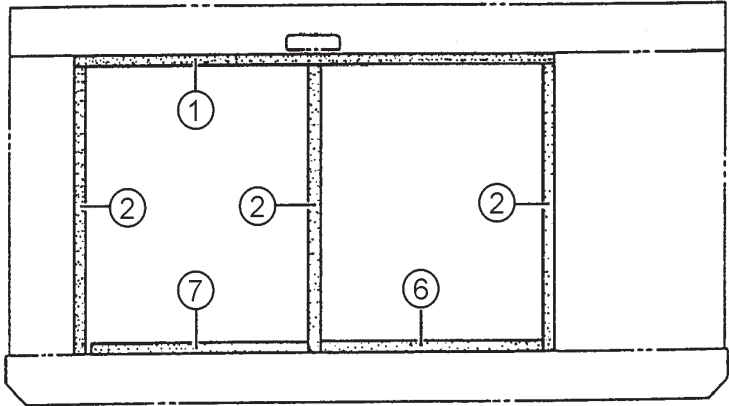
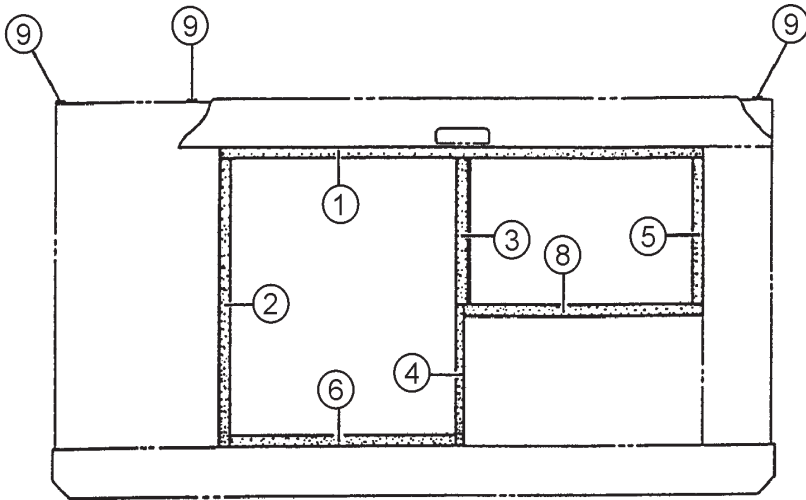
- |                 |                      |
|-----------------|----------------------|
| 1-ORANGE        | 5-BLACK              |
| 2-WHITE         | 6-CATERPILLAR YELLOW |
| 3-SPECTRUM GRAY | 7-CATO GOLD          |
| 4-SUNBELT GREEN | 8-RED                |

THE SERIAL NUMBER MAY BE REQUIRED.

# DCA-25SSIU --- ENCLOSURE ASSY.

<u>NO.</u>	<u>PART NO.</u>	<u>ITEM</u>	<u>QTY.</u>	<u>REMARKS</u>
	020106050	HEX. NUT .....	4	REPLACES P/N 0030006000
22	M9110100204	HINGE	2	
23	M9116100004	WASHER	2	
24	0021808020	MACHINE SCREW	3	
25	0845031504	BLIND PLUG .....	2	REPLACES P/N M9310000004
26	M1463000202	ROOF PANEL .....	1	S/N7100000 TO S/N7104749
26	M1463000212	ROOF PANEL .....	1	S/N7104750 TO S/N7105049
	M1463000222	ROOF PANEL .....	1	S/N7105050~
	M1493500203	ACOUSTIC SHEET .....	1	S/N7100000 TO S/N7104749
	M1493500203	ACOUSTIC SHEET .....	1	S/N7104750~
27	011008020	HEX. HEAD BOLT .....	18	REPLACES P/N 0016908020
28	1625165103	BONNET CAP .....	1	REPLACES P/N M9310000103
29	1625165204	CHAIN ASSY.....	1	REPLACES P/N M1483600204
30	M1443100202	SPLASHER PANEL .....	1	S/N7100001 TO S/N7102784
	M1443100212	SPLASHER PANEL .....	1	S/N7102785
31	0016908050	HEX. HEAD BOLT	2	
32	011008020	HEX. HEAD BOLT .....	2	REPLACES P/N 0016908020
33	M1453000703	SIDE DOOR	1	
	M1493400904	ACOUSTIC SHEET	1	
34	M1453000903	SIDE DOOR	1	
	M1493401004	ACOUSTIC SHEET	1	
35	M1453001003	SIDE DOOR	1	
	M1493401104	ACOUSTIC SHEET	1	
36	M1453000803	SIDE DOOR	1	
	M1493400804	ACOUSTIC SHEET	1	
37	M1453300503	DUCT	1	
38	0207006000	HEX. NUT	4	
39	B9114000002	DOOR HANDLE ASSY.....	3	REPLACES P/N M9113000002
40	0027106016	MACHINE SCREW .....	12	REPLACES P/N 0021806015
	020106050	HEX. NUT .....	12	REPLACES P/N 0030006000
41	M9110100204	HINGE	4	
42	M9110100304	HINGE	4	
43	M9116100004	WASHER	8	
44	0021808020	MACHINE SCREW	9	
45	0601850097	DOOR STOPPER	8	
46	0027208025	MACHINE SCREW	8	
47	0845031504	BLIND PLUG .....	8	REPLACES P/N M9310000004
48	0600500090	EMBLEM	1	
49	0021106015	MACHINE SCREW	2	
50	012210025	HEX. HEAD BOLT .....	1	REPLACES P/N 0016910025
	0040510000	TOOTHED WASHER	1	
51	011008020	HEX. HEAD BOLT .....	1	REPLACES P/N 0016908020
	0040508000	TOOTHED WASHER	1	

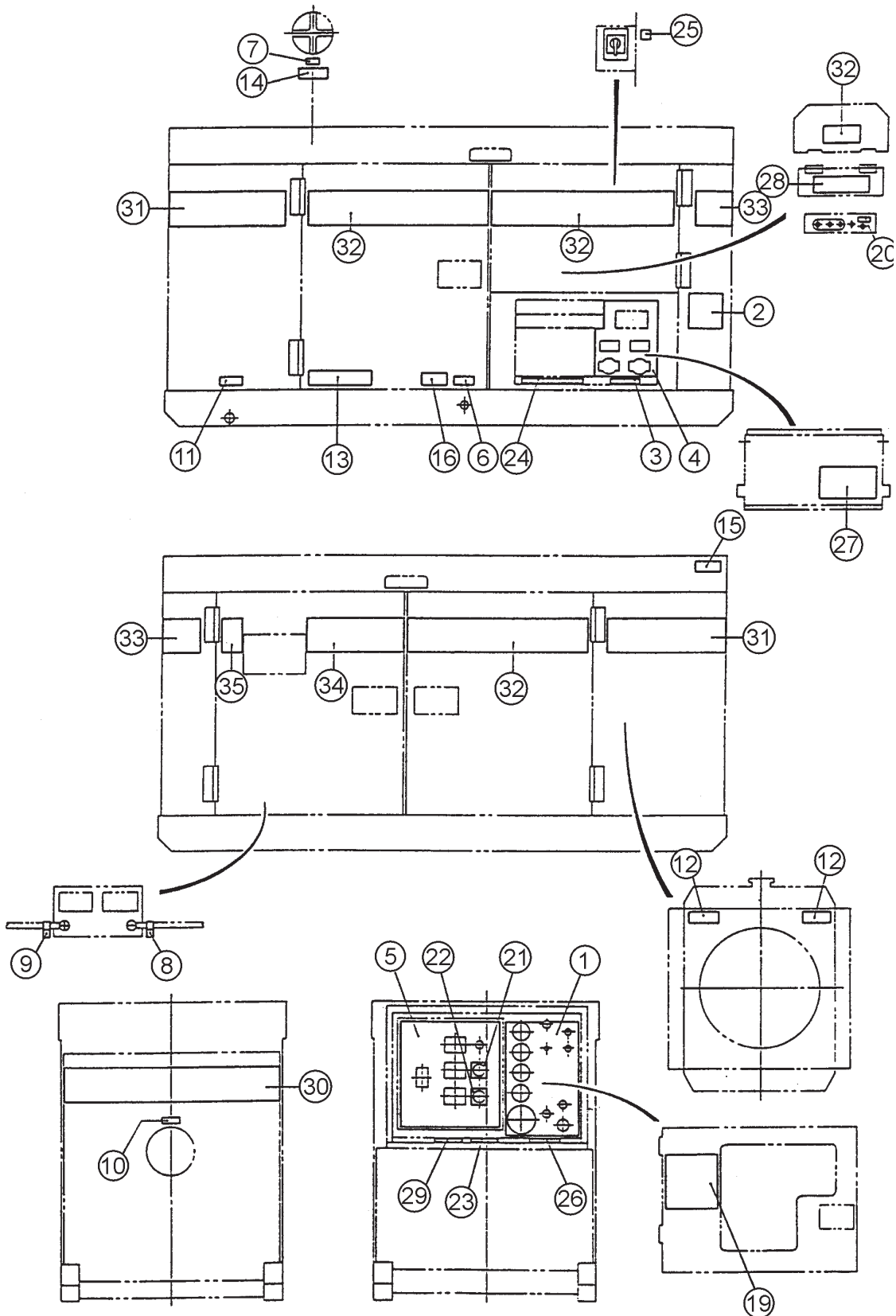
**RUBBER SEAL ASSY.**



# RUBBER SEAL ASSY.

<u>NO.</u>	<u>PART NO.</u>	<u>ITEM</u>	<u>QTY.</u>	<u>REMARKS</u>
1	0228910300	RUBBER SEAL	2	
2	0228900725	RUBBER SEAL	4	
3	M1490300004	RUBBER SEAL	1	
4	0228800360	RUBBER SEAL	1	
5	0228900370	RUBBER SEAL	1	
6	0228800605	RUBBER SEAL	2	
7	0229200595	RUBBER SEAL	1	
8	0228900645	RUBBER SEAL	1	
9	0229200750	RUBBER SEAL .....	3.....	S/N7100001 TO S/N7101589
	0229200750	RUBBER SEAL .....	2.....	S/N7101590~
10	0229200740	RUBBER SEAL	1	
11	0228800670	RUBBER SEAL	2	
12	0228800445	RUBBER SEAL	1	
13	0228800485	RUBBER SEAL	1	
14	0228100568	RUBBER SEAL .....	2.....	S/N7100001 TO S/N7101589
	0228100458	RUBBER SEAL .....	1.....	S/N7101590~
15	0228100170	RUBBER SEAL .....	2.....	S/N7100001 TO S/N7101589
	0228100171	RUBBER SEAL .....	1.....	S/N7101590~
16	0228100351	RUBBER SEAL .....	1.....	S/N7101590~
17	0228100285	RUBBER SEAL .....	1.....	S/N7101590~
18	0228100153	RUBBER SEAL .....	1.....	S/N7101590~
19	0228100180	RUBBER SEAL .....	1.....	S/N7101590~

# NAMEPLATE AND DECALS

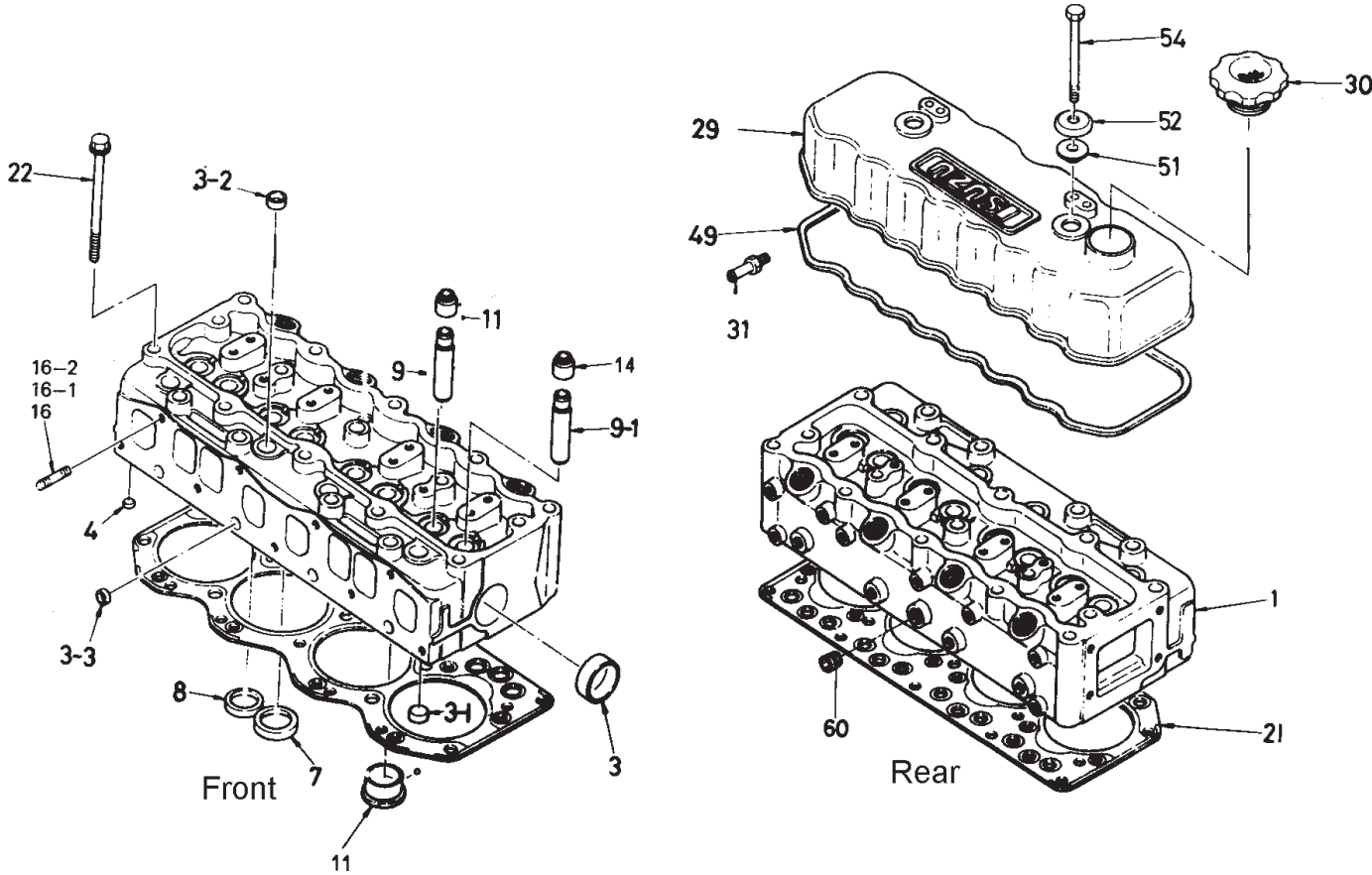




# NAMEPLATE AND DECALS

<u>NO.</u>	<u>PART NO.</u>	<u>ITEM</u>	<u>QTY.</u>	<u>REMARKS</u>
1	M1550000003	DECAL; ENGINE OPERATING .....	1	M15000000
2	M1550000104	DECAL; NOTE .....	1	M15000010
3	M1550000204	DECAL; NOTE .....	1	M15000020
4	M1550000303	DECAL; AUXILLARY OUTPUT .....	1	M15000030
5	M1550000403	DECAL; GENERATOR CONTROL .....	1	M15000040
6	M9500000004	DECAL; OIL DRAIN PLUG .....	1	M90000000
7	M9500100004	DECAL; WATER .....	1	M90010000
8	M9500300004	DECAL; - .....	1	M90030000
9	M9500300104	DECAL; + .....	1	M90030010
10	M9500500004	DECAL; DIESEL FUEL .....	1	M90050000
11	M9500500104	DECAL; FUEL DRAIN PLUG .....	1	M90050010
12	M9503000004	DECAL; WARNING .....	2	M90300000
13	M9503000103	DECAL; WATER, OIL CHECK .....	1	M90300000
14	M9503100004	DECAL; WARNING .....	1	M90310000
15	M9503200004	DECAL; WARNING .....	1	M90320000
16	M9510100004	DECAL; CAUTION .....	1	M91010000
17	M9520100503	DECAL; WARNING .....	1	S/N7100001 TO 7100600; REPLACES M9510100104
18	M9520100503	DECAL; WARNING .....	1	S/N7100001 TO 7100600; REPLACES M9510100204
19	M9510200002	DECAL; MQ .....	1	M91020000
20	M9520000004	DECAL; GROUND .....	1	M92000000
21	M9520000104	DECAL; AMMETER CHANGE OVER SWITCH .....	1	M92000010
22	M9520000204	DECAL; VOLTMETER CHANGE OVER SWITCH .....	1	M92000020
23	M9520100004	DECAL; WARNING .....	2	M92010000
24	M9520100503	DECAL; WARNING .....	1	S/N7100001 TO 7100600; REPLACES M9520100104
	M9520100503	DECAL; WARNING .....	1	M92010050 M9100601~
25	M9520100204	DECAL; CAUTION .....	1	M92010020A
26	M9520100304	DECAL; SAFETY INSTRUCTIONS .....	1	M92010030
27	M9520100404	DECAL; DANGER .....	1	M92010040
28	M9520200003	DECAL; CONNECTION OF OUTPUT CABLE .....	1	M92020000
29	M9520200104	DECAL; OVER CURRENT RELAY .....	1	M92020010
30	M1560100403	STRIPE; WHISPERWATT	1	
31	M1560100303	STRIPE; MQ POWER	2	
32	M1560100004	STRIPE;	3	
33	M1560100504	STRIPE; 25	2	
34	M1560100104	STRIPE	1	
35	M1560100204	STRIPE	1	

# CYLINDER HEAD AND COVER ASSY.

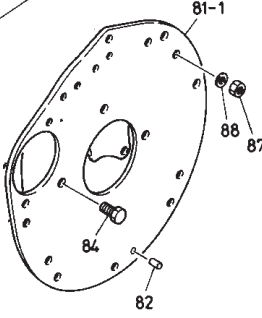
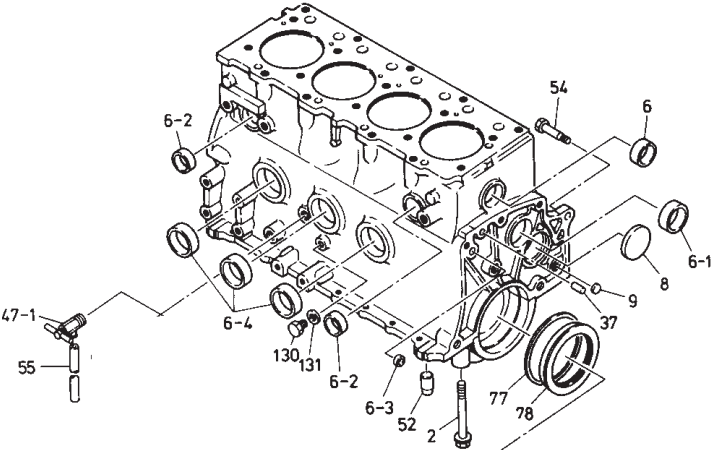


## CYLINDER HEAD AND COVER ASSY.

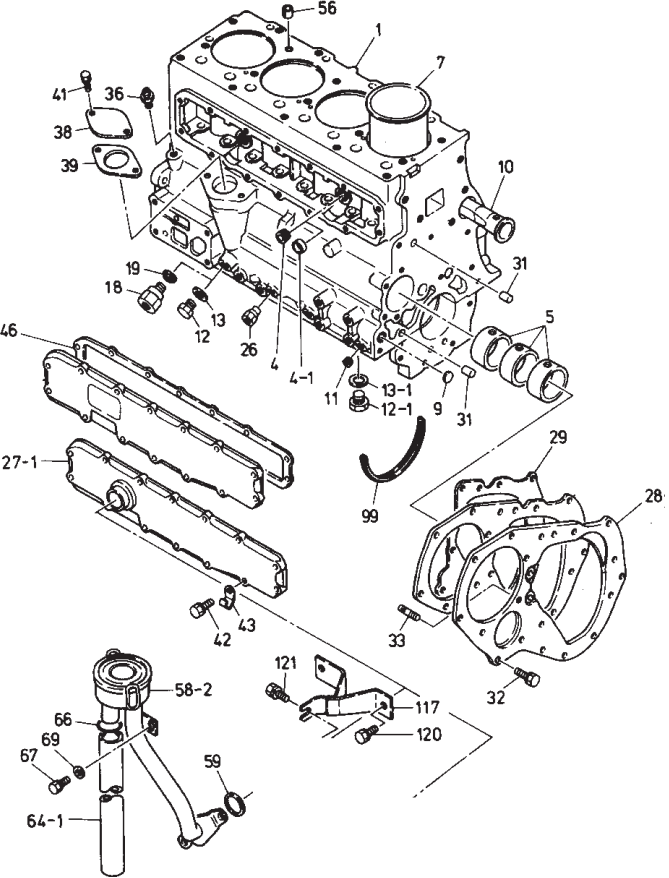
<u>NO.</u>	<u>PART NO.</u>	<u>ITEM</u>	<u>QTY.</u>	<u>REMARKS</u>
1	5111102070	CYLINDER HEAD ASSY.	1	
3	1096000051	SEALING CUP, RR FACE D=44	1	
3-1	5111290060	SEALING CUP, LOWER D=16	4	
3-2	5112190080	SEALING CUP, UPPER D=18	5	
3-3	5096000130	SEALING CUP, DRILLED D=12	4	
4	9098605220	PLUG; LOWER CYLINDER HEAD PLATE	4	
7	5117150230	VALVE SEAT INLET INSERT	4	
8	5117110260	VALVE SEAT EXHAUST INSERT	4	
9	5117210160	VALVE INLET HEAD GUIDE	4	
9-1	5117210160	VALVE EXHAUST HEAD GUIDE	4	
11	5111501080	HOT PLUG ASSY.	4	
14	5125690060	INLET AND EXHAUST VALVE SEAL	8	
16	9041108350	MANIFOLD STUD	3	
16-1	9041108400	MANIFOLD STUD	3	
16-2	9041108450	MANIFOLD STUD	1	
21	5111410690	CYLINDER HEAD GASKET	1	
22	5090090530	BOLT	19	
29	5111702400	CYLINDER HEAD COVER ASSY.	1	
30	9117510381	OIL FILLER CAP	1	
31	5111790520	BREATHER NIPPLE	1	
49	5111730170	HEAD COVER PACKING	1	
51	9111798080	HEAD COVER FIX. PACKING	2	
52	9111791320	WAHER	2	
54	5090000960	BOLT	2	
60	5096050050	CYLINDER HEAD OIL COOLER PLUG	1	

# CYLINDER BLOCK ASSY.

Front



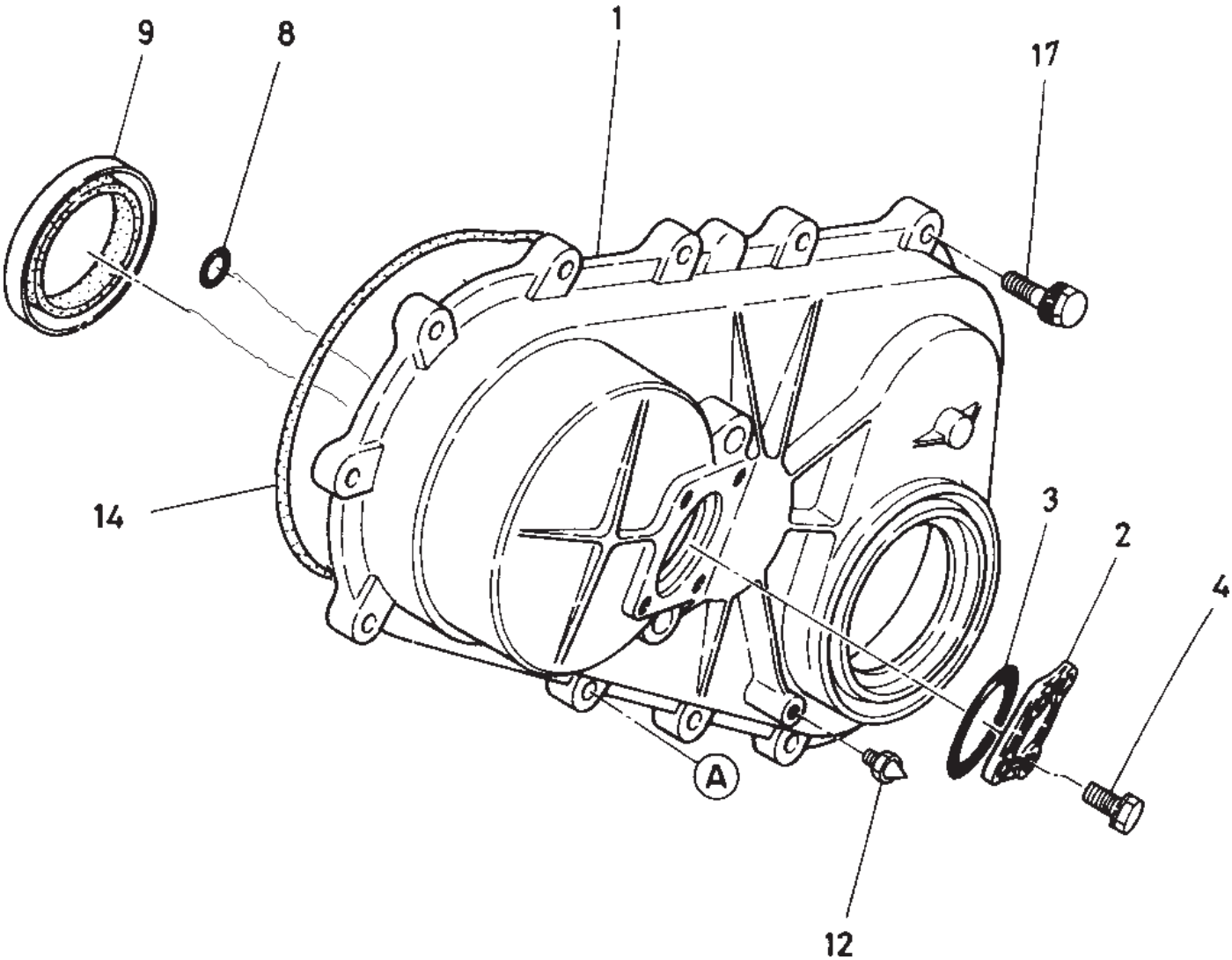
Rear



# CYLINDER BLOCK ASSY.

<u>NO.</u>	<u>PART NO.</u>	<u>ITEM</u>	<u>QTY.</u>	<u>REMARKS</u>
1	5112101771	CYLINDER BLOCK ASSY.	1	
2	9098025910	BOLT	10	
4	9096640340	PLUG; 1/2 TAPPET CHAMBER	2	
4-1	5112190080	SEALING CUP CHAMBER D=18	2	
5	5116100010	BEARING KIT; CAM. STANDARD	1	
6	5112190180	SEALING CUP RR FACE D=36	1	
6-1	5112190170	SEALING CUP RR FACE D=38	1	
6-2	5112190150	SEALING CUP LH SIDE D=32	2	
6-3	5096000130	SEALING CUP RR FACE D=12	1	
6-4	1096000051	SEALING CUP LH SIDE D=45	3	
7	9112612300	CYLINDER LINER	4	
8	8942505140	PLUG; CAMSHAFT BRIDGE PLATE	1	
9	5111290060	PLUG; OIL GALLERY PLATE	2	
10	5112210020	DUCT; CYL. BLOCK WATER	1	
11-1	5096050161	PLUG; OIL GALLERY 1/8	1	
12-1	9992023160	PLUG; OIL GALLERY SCREW	1	
13-1	9095714160	PLUG PACKING	1	
26	5096500210	INJ. PUMP OIL FEED NIPPLE	1	
27-1	9112976500	TAPPET CHAMBER COVER ASSY.	1	
28	9113111530	FRONT CYL. BLOCK PLATE	1	
29	5113120110	FRONT PLATE PACKING	1	
31	9081510240	FRONT PLATE STRAIGHT PIN	2	
32	9019008220	BOLT	3	
36	9099022990	ROCKER OIL FEED NIPPLE	1	
37	9081610320	REAR PLATE STRAIGHT PIN	1	
42-1	9019008180	BOLT	12	
42-2	9019008220	BOLT	2	
43	9099168160	TAPPET CHAMBER COVER CLIP	2	
46	5112920110	CHAMBER COVER PACKING.....	1	REPLACES 5112920150
47-1	9097040380	WATER DRAIN COCK	1	
52	9098785970	CRANK CASE PIN	2	
54-2	8942008311	BOLT	1	
55	9099138340	PIPE; VINYL WATER DRAIN	1	
56	9112290490	CYLINDER BLOCK DOWEL	2	
58-2	5117400211	BREATHER AIR ASSY.	1	
59	9099210990	BREATHER PACKING	1	
64-1	9097130870	PIPE; VINYL BREATHER	1	
66	9099152380	CLIP	1	
67	9019008180	BOLT	1	
69	9091645080	WASHER	1	
77	9123631120	SPACER; OIL SEAL	1	
78	5096250360	CRANK SHAFT REAR SEAL	1	
81	9113411940	REAR CYLINDER BLOCK PLATE	1	
84	5090002270	BOLT	3	
99	9112581080	OIL PAN BRIDGE CAP PACKING	2	
117	5117490340	BREATHER HEAD PACKING	1	
120	9019008180	BOLT	2	
121	9019608180	BOLT	1	
130	9092023080	PLUG; OIL GALLERY SCREW	1	
131	9095714080	SCREW PLUG PACKING	1	

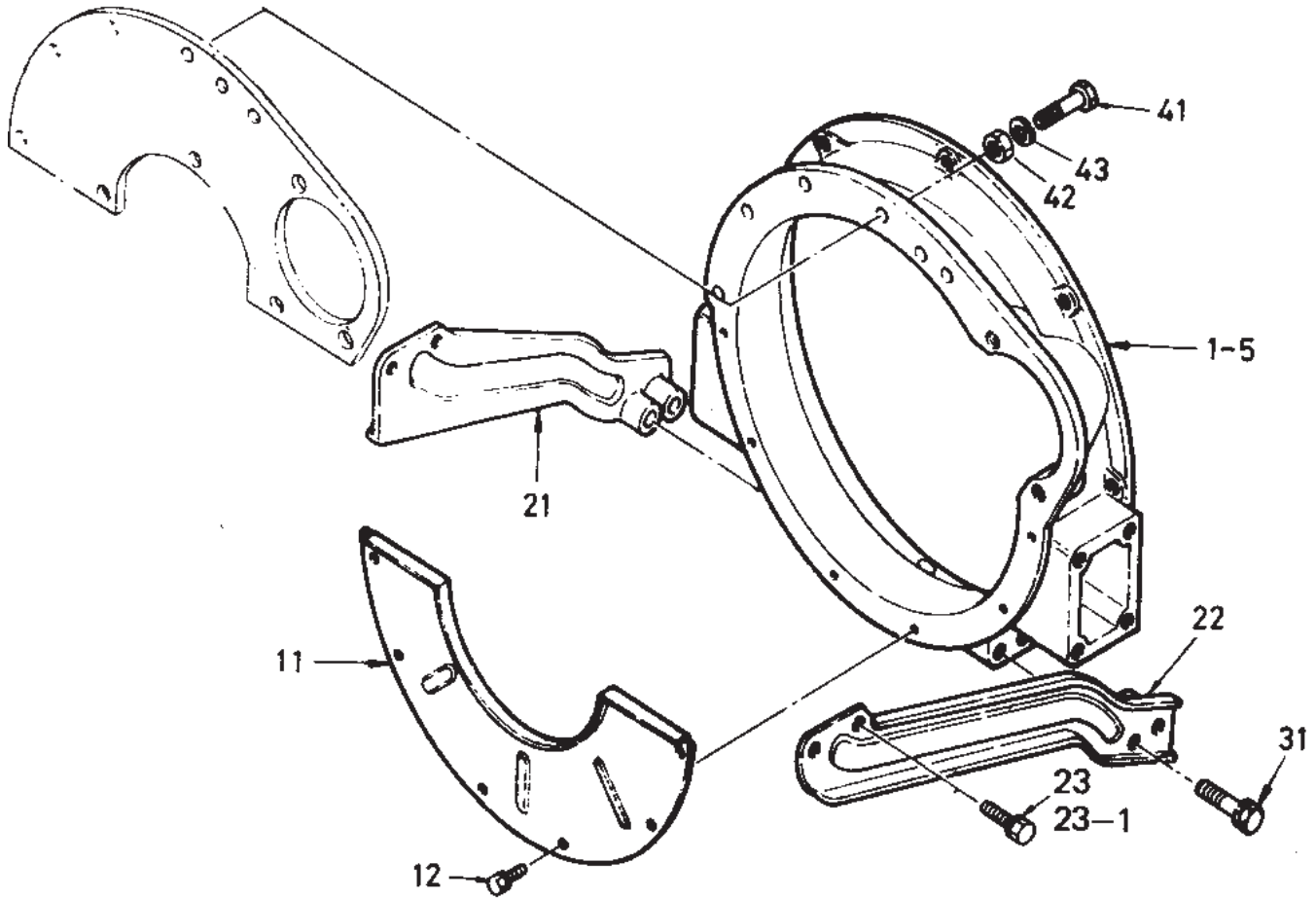
TIMING GEAR ASSY.



## TIMING GEAR ASSY.

<u>NO.</u>	<u>PART NO.</u>	<u>ITEM</u>	<u>QTY.</u>	<u>REMARKS</u>
1	5113110282	TIMING GEAR CASE	1	
2	9113211480	GEAR CASE COVER	1	
3	9099206010	PACKING	1	
4	901906140	BOLT	4	
8	9113120460	PACKING	2	
9	5096250790	OIL SEAL	1	
12	9113270450	POINTER	1	
14	9113120340	PACKING	1	
17	9019108320	BOLT	9	

# FLYWHEEL HOUSING ASSY.

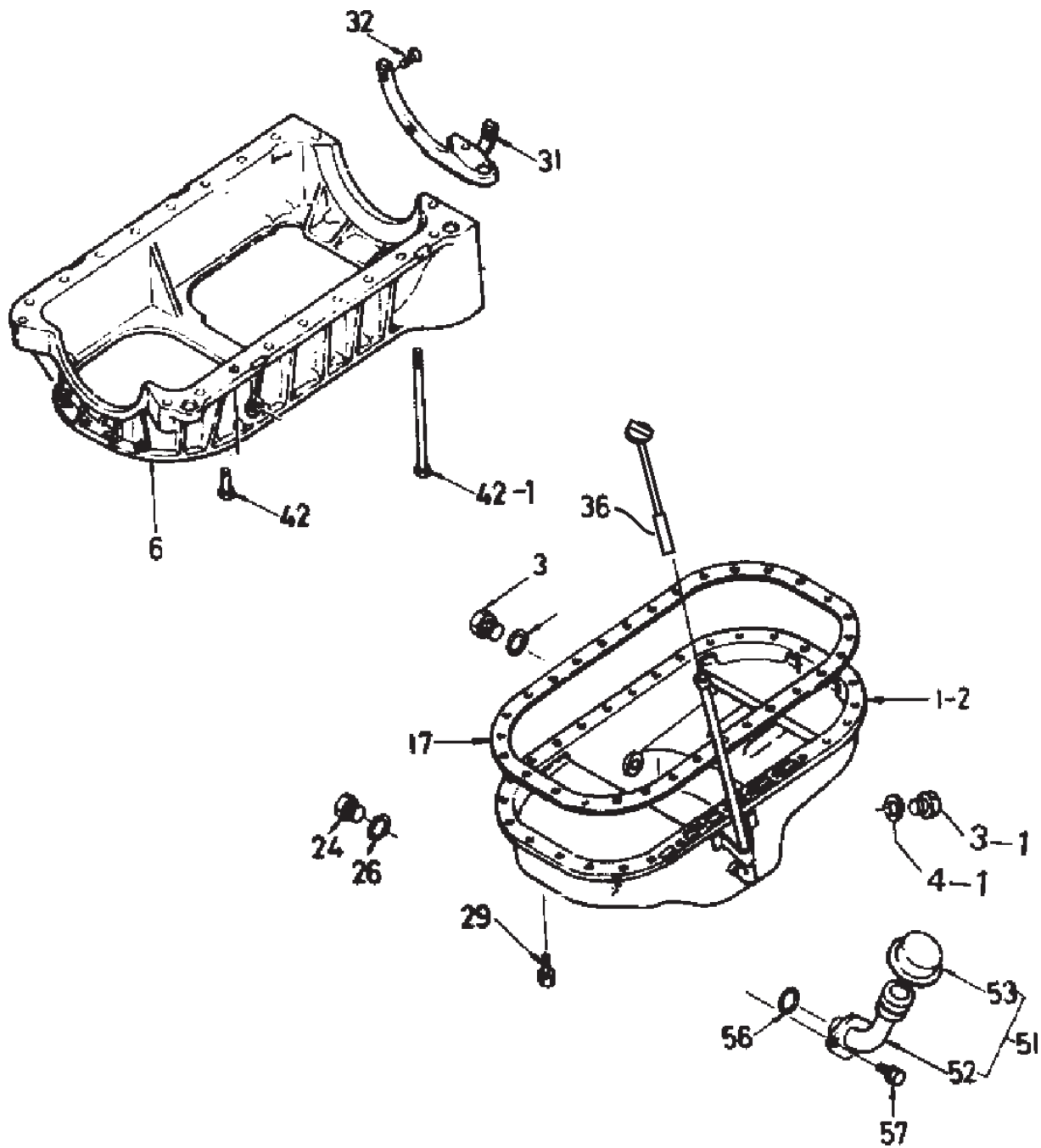




# FLYWHEEL HOUSING ASSY.

<u>NO.</u>	<u>PART NO.</u>	<u>ITEM</u>	<u>QTY.</u>	<u>REMARKS</u>
1-5	5113410191	FLYWHEEL HOUSING	1	
11	9113430391	COVER	1	
12	9019006120	BOLT	6	
21	5113490380	STIFFENER; RIGHT SIDE	1	
22	5113490370	STIFFENER; LEFT SIDE	1	
23	9019110200	BOLT	2	
23-1	9019110180	BOLT	2	
31	9019310450	BOLT	4	
41	9019110350	BOLT	3	
41	9010560400	BOLT	1	
42	9091104100	NUT	2	
46	9091505100	LOCK WASHER	2	

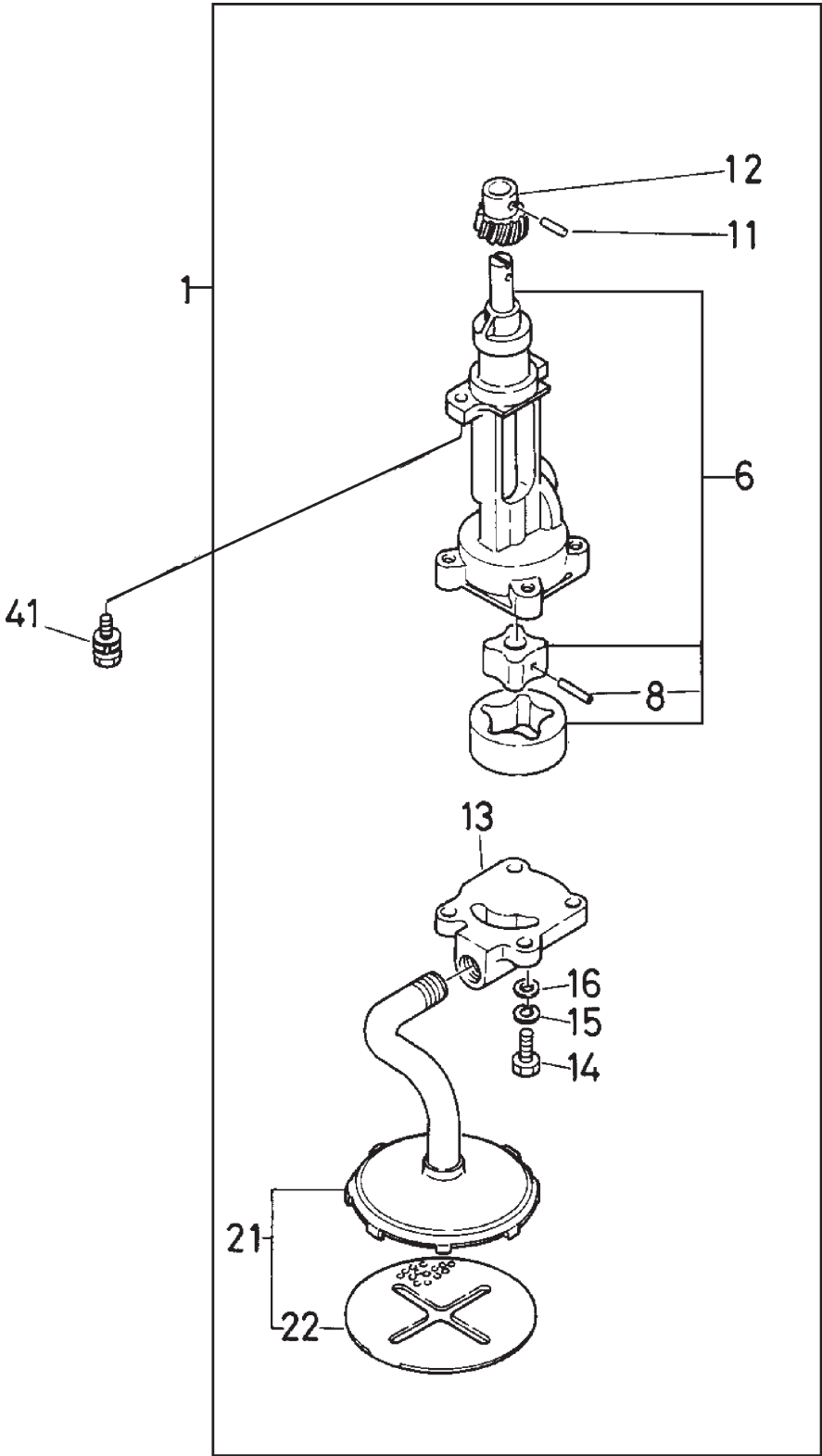
# OIL PAN ASSY.



# OIL PAN ASSY.

<u>NO.</u>	<u>PART NO.</u>	<u>ITEM</u>	<u>QTY.</u>	<u>REMARKS</u>
1-2	5113601832	OIL PAN ASSY.....	1	INCLUDES ITEMS W/*
3*	5096050050	OIL DRAIN PLUG, 3/8	1	
3-1	9992023200	OIL DRAIN PLUG	1	
4-1*	9097205600	O RING PACKING	1	
6	9112150810	CRANK CASE	1	
17	5113670040	OIL CASE PACKING	1	
24	9992023160	OIL THERMO PLUG	1	
26	9095714160	PLUG PACKING	1	
29	9019106160	BOLT	30	
31	9112193160	DISTRIBUTION PLATE	1	
32	9030906160	SCREW	4	
36	9117606090	OIL LEVEL GAUGE	1	
42	9019008220	BOLT	16	
42-1	9019708450	BOLT	4	
51	5117400870	OIL FILLER ASSY.....	1	INCLUDES ITEMS W/#
52#	5117410100	OIL FILLER	1	
53#	5117500021	OIL FILLER CAP	1	
56	9099207080	PACKING	1	
57	9019008200	BOLT	2	

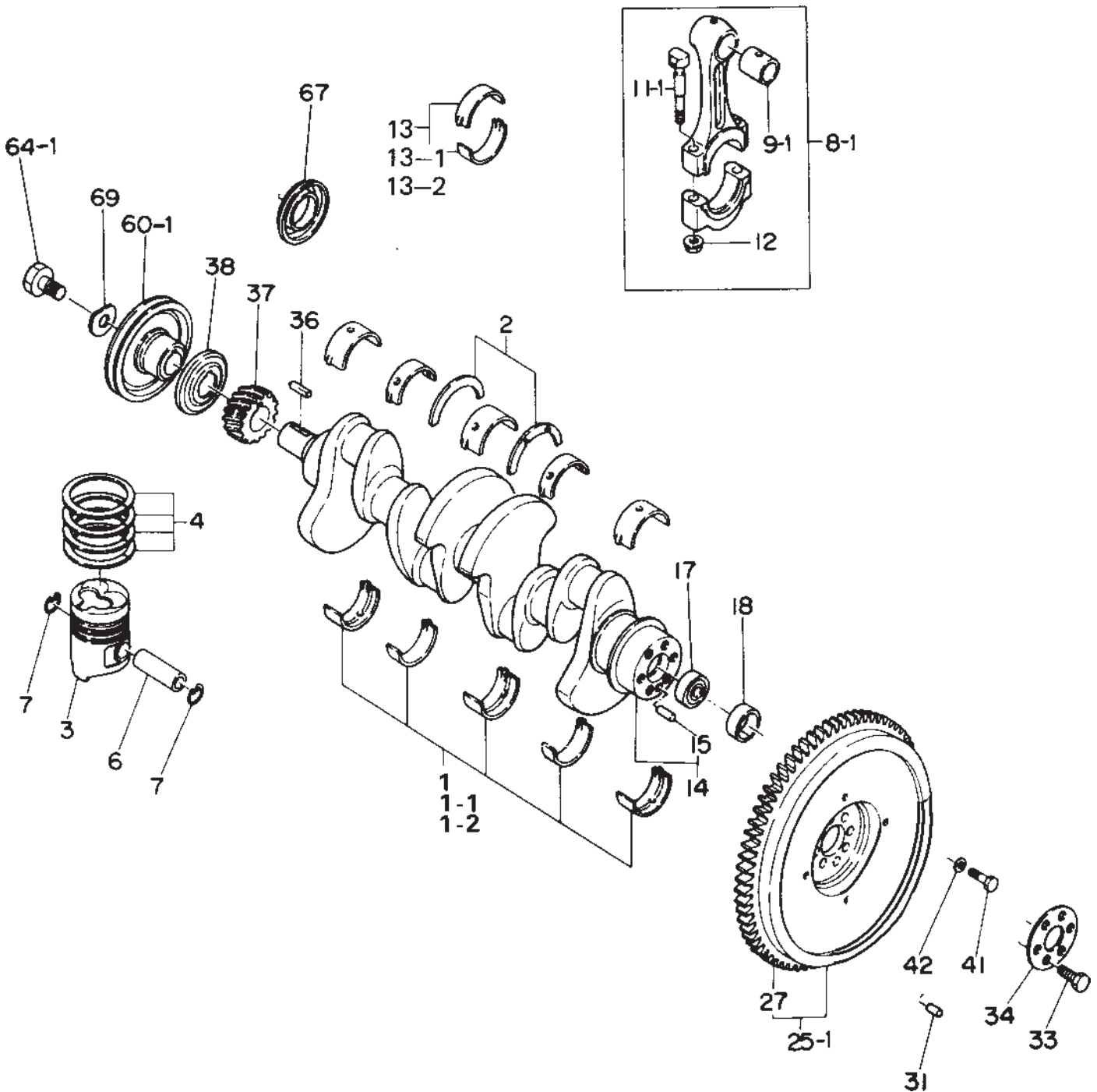
OIL PUMP ASSY.



# OIL PUMP ASSY.

<u>NO.</u>	<u>PART NO.</u>	<u>ITEM</u>	<u>QTY.</u>	<u>REMARKS</u>
1	9131008010	OIL PUMP ASSY. ....	1	INCLUDES ITEMS W/*
6*	5131200040	ROTOR SET .....	1	INCLUDES ITEMS W/#
8*#	9131290170	PIN	1	
11*#	9098780840	PIN	1	
12*	9131280790	PINION	1	
13*	9131130771	COVER	1	
14*	9020408250	BOLT	4	
15*	9091505080	LOCKWASHER	4	
16*	9091505080	LOCKWASHER	4	
21*	9131401200	OIL STRAINER ASSY. ....	1	INCLUDES ITEM W/%
22*%	9131430100	OIL STRAINER GAUZE	1	
41	9019708250	BOLT	2	

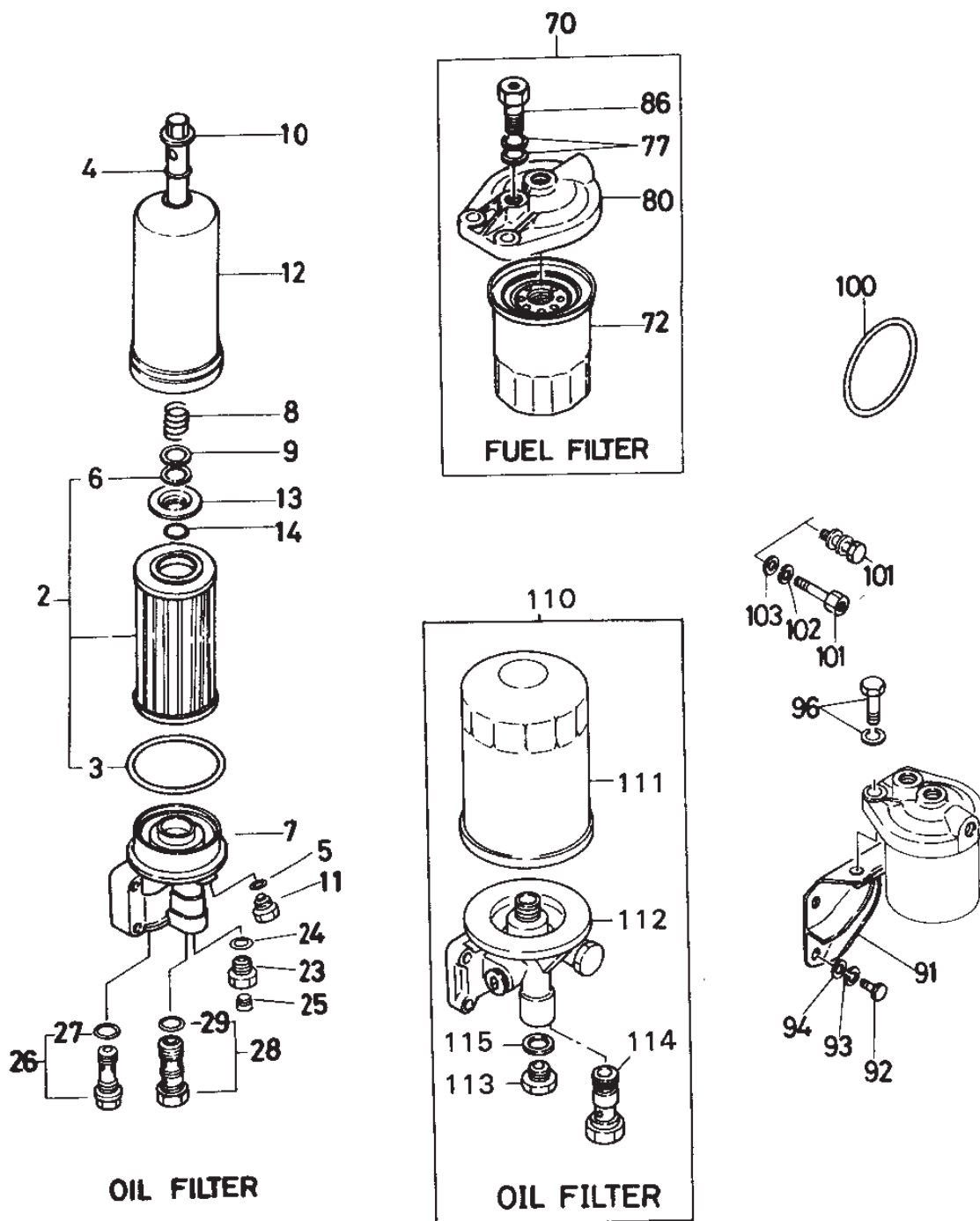
# CRANKSHAFT, BRIDGE AND FLYWHEEL ASSY.



# CRANKSHAFT, BRIDGE AND FLYWHEEL ASSY.

<u>NO.</u>	<u>PART NO.</u>	<u>ITEM</u>	<u>QTY</u>	<u>REMARKS</u>
1	5115100211	CRANK BEARING KIT;STD	1	
1-1	5115300211	CRANK BEARING KIT;-0.25	1	
1-2	5115400211	CRANK BEARING KIT;-0.50	1	
2	9115810570	THRUST BEARING	2	
3	5121112020	PISTON;STD	4	
4	5121210070	PISTON RING SET;STD	4	
6	5122110090	PISTON PIN	4	
7	5095870010	SNAP RING	8	
8-1	5122300390	CONNECTING ROD ASSY. ....	4	INCLUDES ITEMS W/@
9-1@	5122510050	SMALL END BUSHING	4	
11-1@	512350090	BOLT	8	
12@	5094090160	NUT	8	
13	8941422080	CONN. ROD BEARING SET;STD .....	4	REPLACES 5122710050
13-1	8941631740	BEARING SET;-0.25	4	
13-2	8941631750	BEARING SET;-0.50	4	
14	8941396690	CRANKSHAFT ASSY. ....	1	INCLUDES ITEM W/#
15#	9081612200	STRAIGHT PIN	1	
17	5098010010	RADIAL BALL BEARING	1	
25-1	5123301100	FLYWHEEL ASSY. ....	1	INCLUDES ITEM W/%
27%	9123330361	RING GEAR .....	1	Z=108
31	9098785320	STRAIGHT PIN	2	
33	5090001461	BOLT	6	
34	5123360100	WASHER	1	
36	9080307430	FEATHER KEY	1	
37	9125210420	CRANKSHAFT GEAR .....	1	Z=21
38	9123620390	THROWER	1	
60-1	9123736051	CRANKSHAFT PULLEY	1	
64-1	9098026060	BOLT	1	
67	9123736060	THROWER	1	
69	9123790160	WASHER	1	

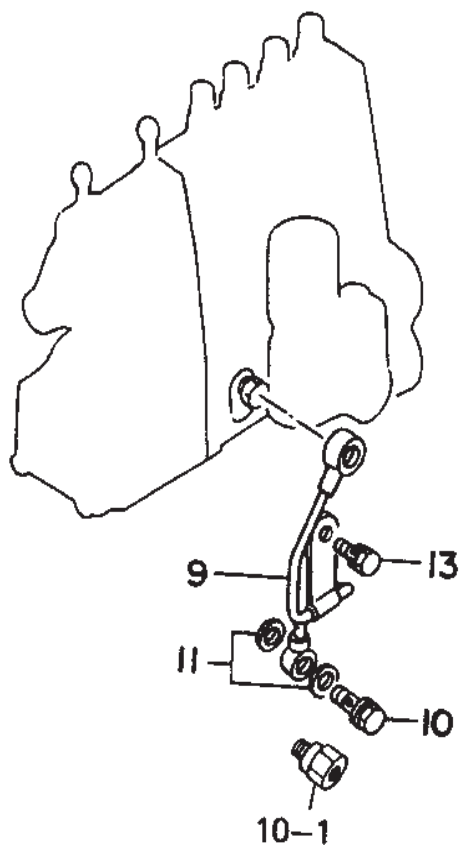
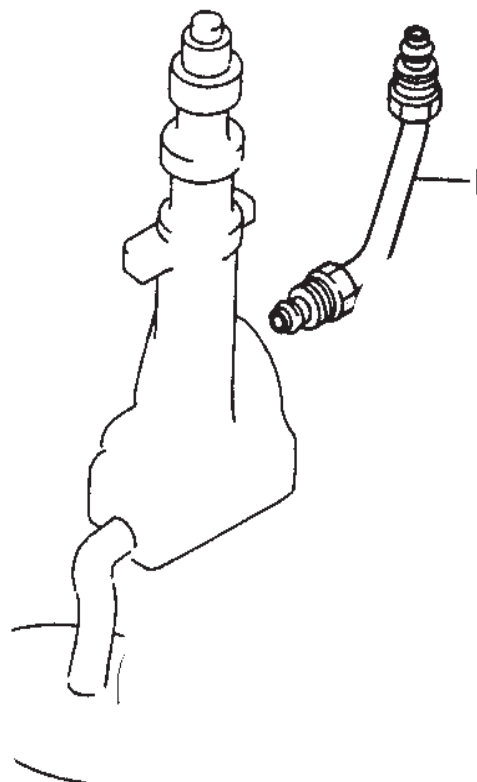
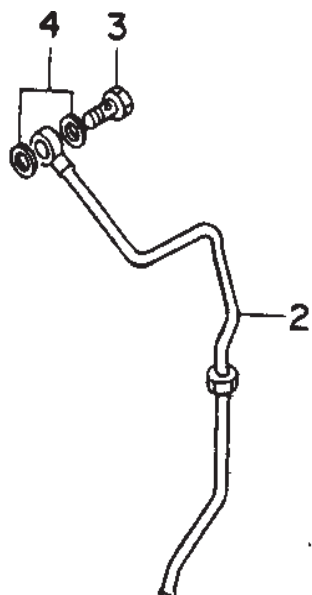
# OIL AND FUEL FILTER ASSY.





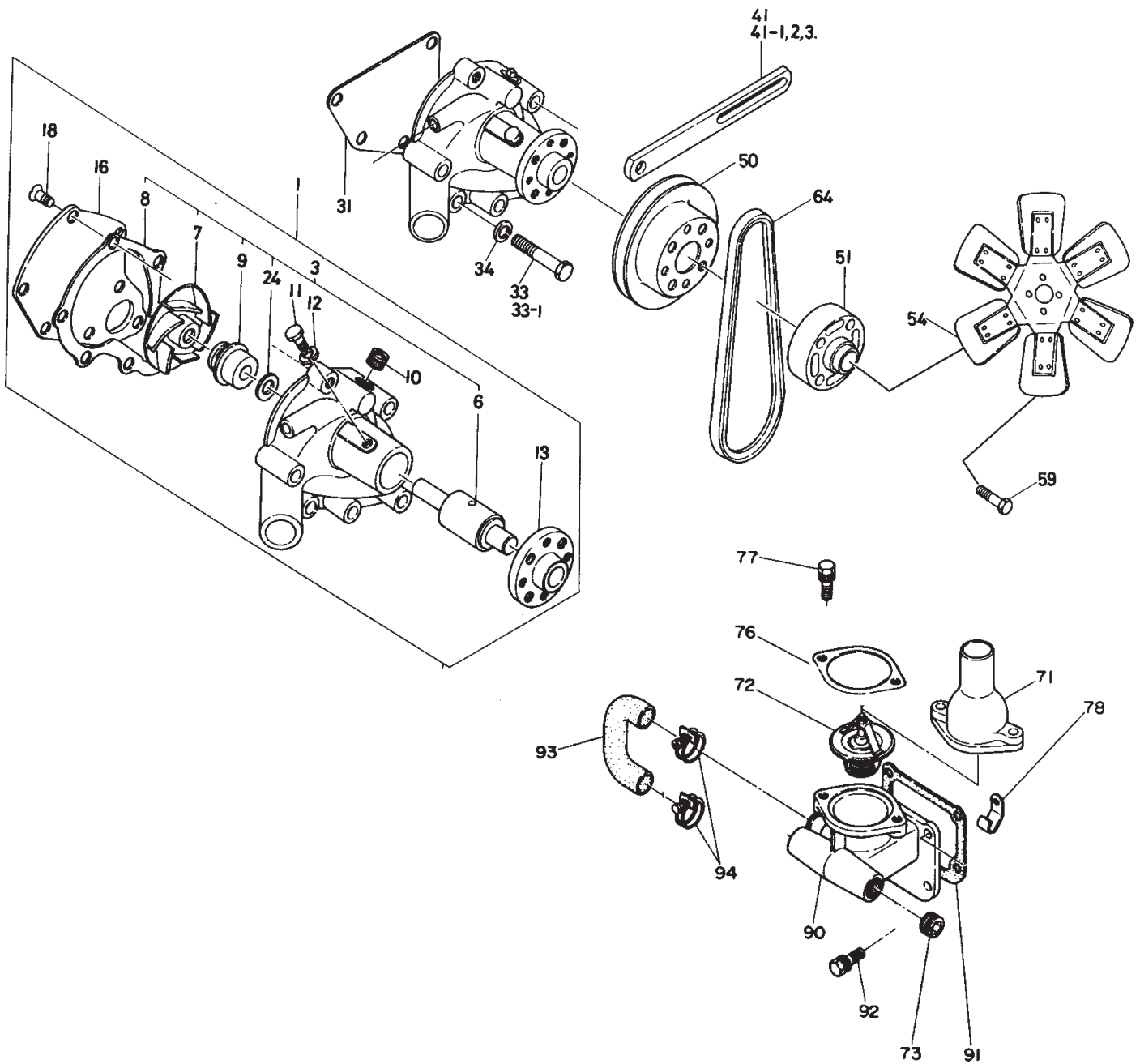
# OIL AND FUEL FILTER ASSY.

<u>NO.</u>	<u>PART NO.</u>	<u>ITEM</u>	<u>QTY.</u>	<u>REMARKS</u>
2	9885131071	OIL FILTER ELEMENT KIT .....	1 .....	INCLUDES ITEMS W/*
3*	9132130350	O RING PACKING COVER	1	
4	9099211920	CENTER PIPE PACKING	1	
5-1	9099209780	DRAIN PIPE PACKING	1	
6*	9099221100	FELT RING	1	
7	9132121240	OIL FILTER COVER	1	
8	9099410540	COIL COMPRESSION SPRING	1	
9	9132390330	SPRING SEAT	1	
10	9132316030	CENTER PIPE	1	
11	9098621170	DRAIN PLUG	1	
12	9132110950	OIL FILTER BODY	1	
13	9132390320	ELEMENT HOLDER	1	
14	9099522170	SNAP RING	1	
23	9132260130	ADAPTER	1	
24	9099208410	PLUG PACKING	1	
25	9098640150	SCREW PLUG	1	
26	5132600080	SAFETY VALVE ASSY. ....	1 .....	INCLUDES ITEM W/%
27%	1096231630	O RING PACKING	1	
28	5131600030	RELIEF VALVE ASSY. ....	1 .....	INCLUDES ITEM W/#
29#	9099209750	RELIEF VALE PACKING	1	
70	8941434770	FUEL CART. FILTER ASSY. ....	1 .....	INCLUDES ITEMS W/\$
72\$	8941434790	FUEL ELEMENT	1	
77\$	9095720140	OVERFLOW VALVE PACKING	2	
80\$	5132120750	FUEL FILTER COVER	1	
86\$	9132600561	OVERFLOW VALVE ASSY.	1	
91	9197518010	FUEL FILTER BRACKET	1	
92	9020608180	BOLT	2	
93	9091506080	LOCKWASHER .....	2 .....	REPLACES 9091508080
94	9091645080	PLAIN WASHER	2	
96	9019110320	BOLT	2	
100	9132190570	OIL FILTER PACKING	1	
101-1	9019008350	BOLT	4	
110	8941208540	OIL FILTER ASSY. ....	1 .....	INCLUDES ITEMS W/@
111@	8941564550	OIL FILTER CARTRIDGE	1	
112@	8941564540	OIL FILTER BODY	1	
113@	9132260090	ADAPTER	1	
114@	5131600030	RELIEF VALVE ASSY.	1	
115@	9099206200	PACKING ADAPTER	1	



<b><u>NO.</u></b>	<b><u>PART NO.</u></b>	<b><u>ITEM</u></b>	<b><u>QTY.</u></b>	<b><u>REMARKS</u></b>
1	9133119810	OIL PUMP ASSY.	1	
2	5133111141	ROCKER OIL FEED PIPE	1	
3	9099061051	BOLT	1	
4	9099209000	PACKING	2	
9	5133111740	OIL INJECTION PIPE	1	
10	5096750220	ADAPTER	1	
11	9095720080	PACKING	2	
13	901906120	BOLT	1	

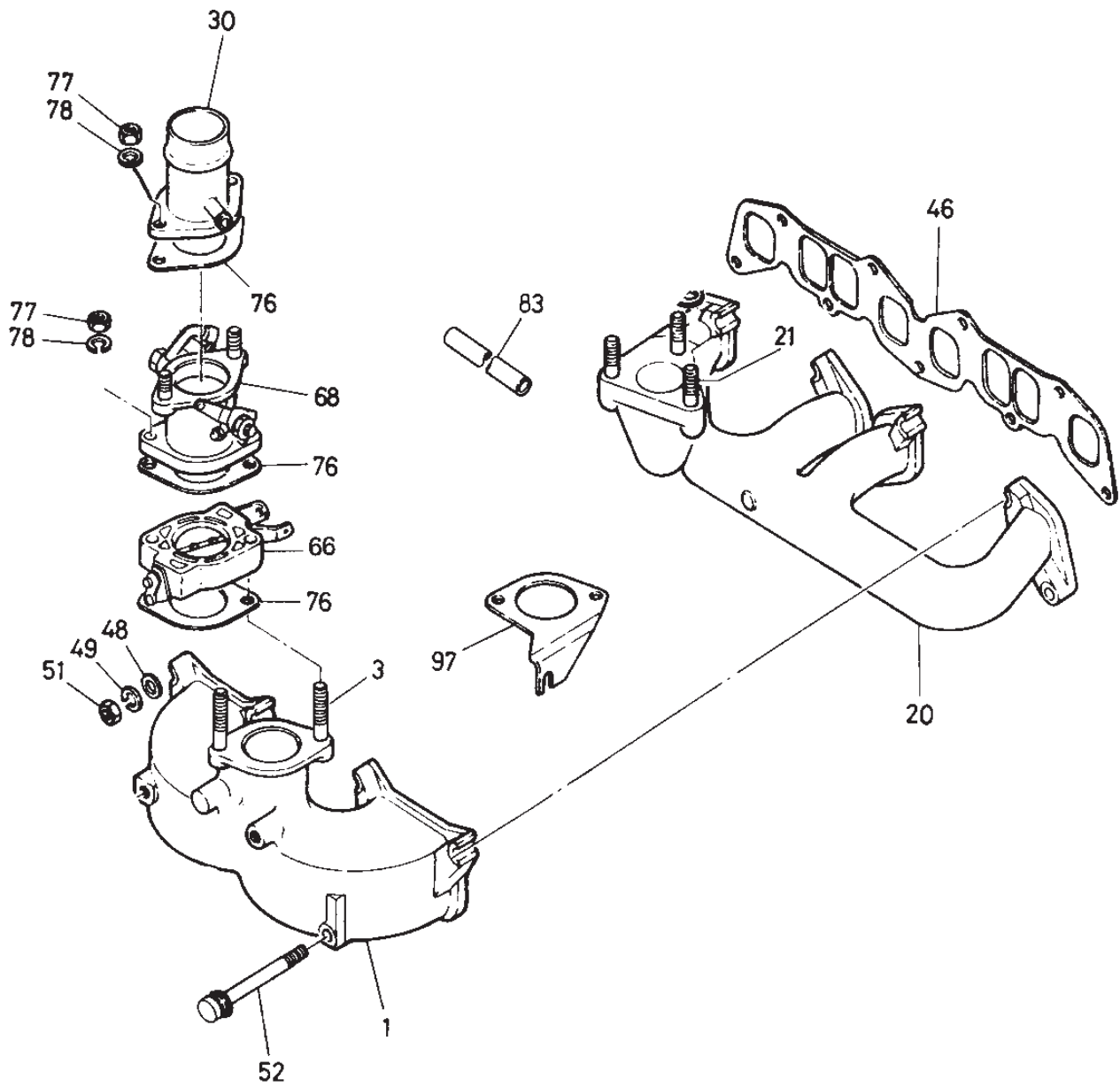
# WATER PUMP AND FAN ASSY.



# WATER PUMP AND FAN ASSY.

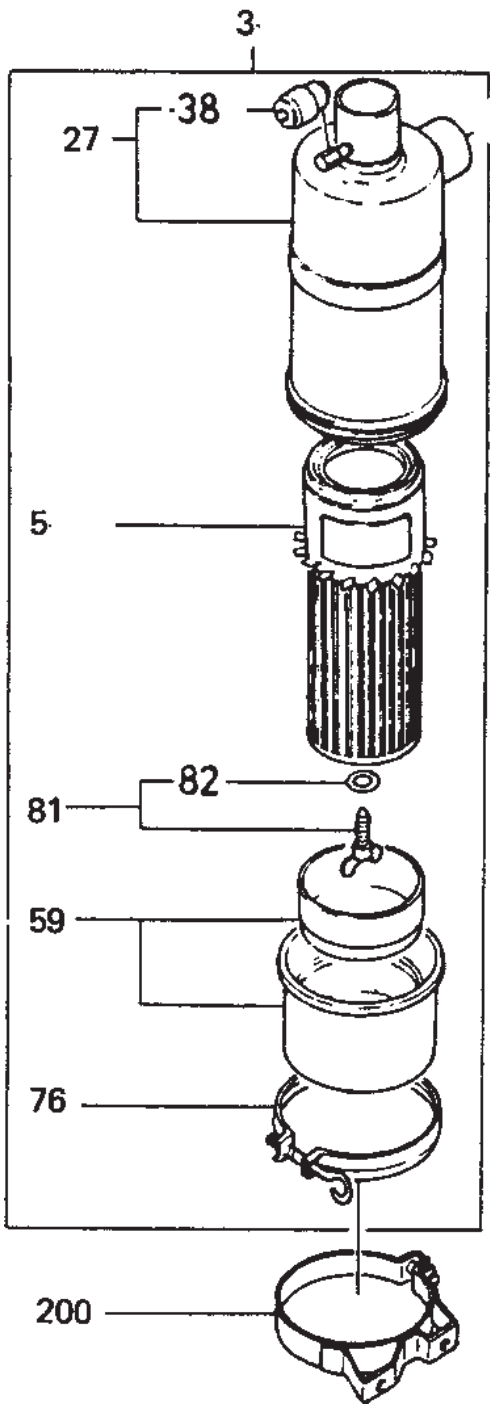
<u>NO.</u>	<u>PART NO.</u>	<u>ITEM</u>	<u>QTY.</u>	<u>REMARKS</u>
1	5136101673	WATER PUMP ASSY. ....	1 .....	INCLUDES ITEMS W/*
3*	5878101391	WATER PUMP REPAIR KIT .....	1 .....	INCLUDES ITEMS W/#
6*#	5136310080	BEARING UNIT	1	
7*#	9136210760	IMPELLER	1	
8*#	9136136070	PACKING	1	
9*#	8942366870	SEAL UNIT ASSY.	1	
10*#	5096050050	SCREW HEATER PLUG	1	
11*#	5098140010	SCREW	1	
12*#	9091505080	LOCKWASHER	1	
13*#	5136420640	FAN CENTER	1	
16*#	9136120530	WATER PUMP COVER	1	
18*#	9030408160	SCREW	1	
24*#	9136390010	BRIDGE UNIT THROWER	1	
31	9136140430	PACKING	1	
33	5090000890	BOLT	2	
33-1	5090000880	BOLT	4	
41	5136750390	ADJUSTING FAN BELT PLATE	1	
50	9136416160	FAN PULLEY	1	
51	9136420770	FAN SPACER	1	
54	9136608090	FAN ASSY.	1	
59	9019108450	BOLT	4	
64	5136710400	COOLING FAN BELT	1	
71	9137130380	OUTLET PIPE	1	
72	5137700221	THERMOSTAT	1	
73	5096050050	HEATER PLUG	1	
76	5096370130	PACKING	1	
77	9019708300	BOLT	2	
78	9099168190	CLIP	1	
90	9137168042	THERMOSTAT HOUSING	1	
91	5137430050	HOUSING PACKING	1	
92	9019708200	BOLT	2	
92	9019108220	BOLT	2	
93	9137211322	RUBBER BYPASS HOSE	1	
94	9099156441	HOSE CLIP	2	

# INTAKE AND EXHAUST MANIFOLD ASSY.



## INTAKE AND EXHAUST MANIFOLD ASSY.

<u>NO.</u>	<u>PART NO.</u>	<u>ITEM</u>	<u>QTY.</u>	<u>REMARKS</u>
1	9141126954	INLET MANIFOLD	1	
3	9041108500	INTAKE STUD	2	
20	9141416142	EXHAUST MANIFOLD	1	
21	5093020020	EXHAUST STUD	1	
30	5141111290	INLET PIPE	2	
46	5141460180	GASKET	1	
48	9091646080	PLAIN WASHER	7	
49	9091505080	LOCK WASHER	7	
51	9091104080	NUT	7	
52	5090000870	BOLT	2	
66	5143101961	INTAKE SHUTTER ASSY.	1	
76	5096370150	THROTTLE VALVE PACKING	3	
77	9091104080	NUT	3	
78	9091505080	LOCK WASHER	2	
83	5093600530	HOSE	1	
97	5143340780	WIRE CONTROL BRACKET	1	

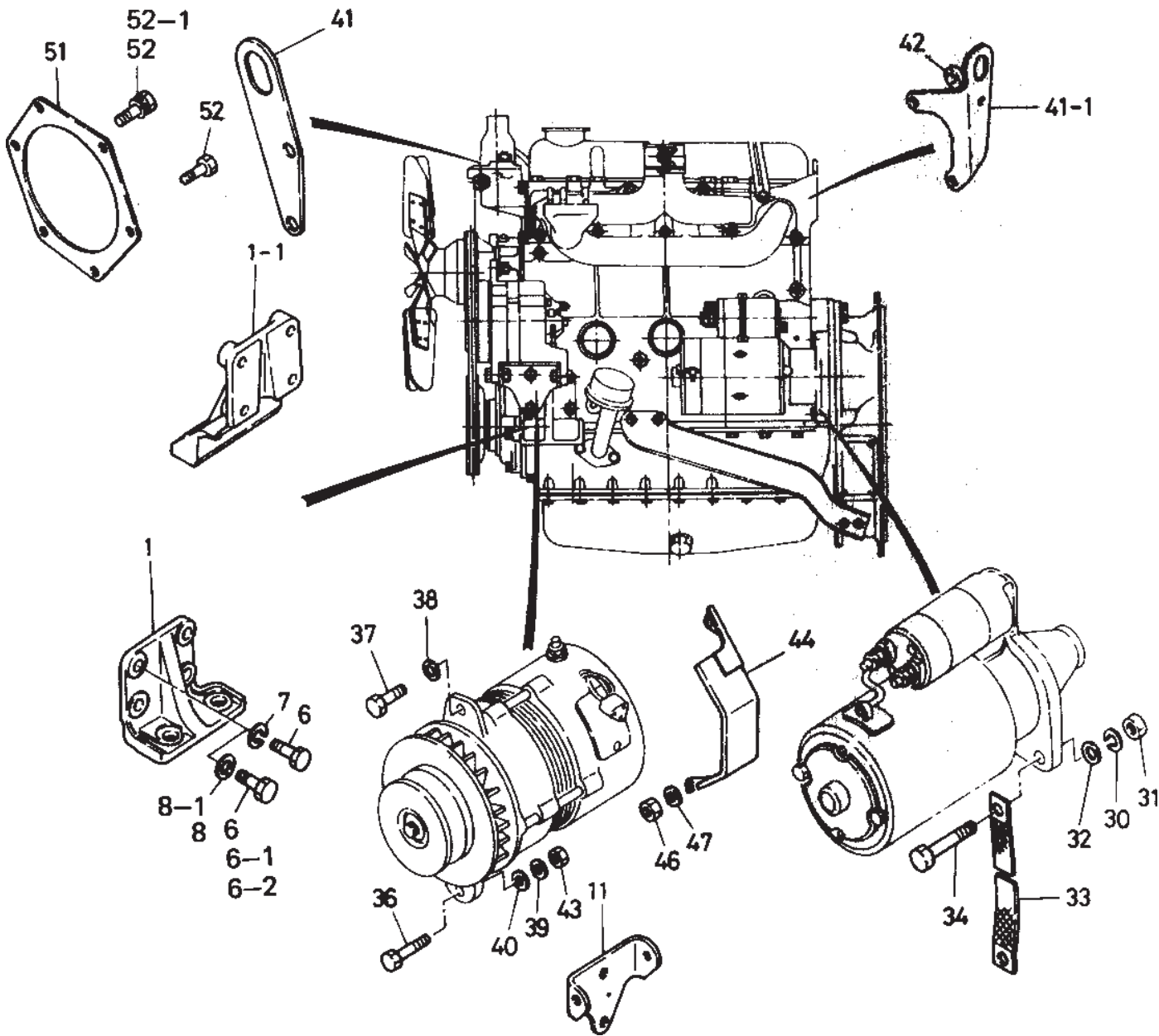




# AIR CLEANER ASSY.

<u>NO.</u>	<u>PART NO.</u>	<u>ITEM</u>	<u>QTY.</u>	<u>REMARKS</u>
3	5142102130	AIR CLEANER ASSY.....	1 .....	INCLUDES ITEMS W/*
5*	5142150140	ELEMENT	1	
27*	5142110670	COVER	1	
38*	9142191410	INDICATOR	1	
59*	5142120560	DUST W/BAFFLE PAN	1	
76*	5142170040	CLAMP	1	
81*	9142170620	BOLT W/GASKET WASHER .....	1 .....	INCLUDES ITEMS W/#
82*#	9142191770	GASKET WASHER	3	
200	9142176020	BAND ASSY. W/BOLT	2	

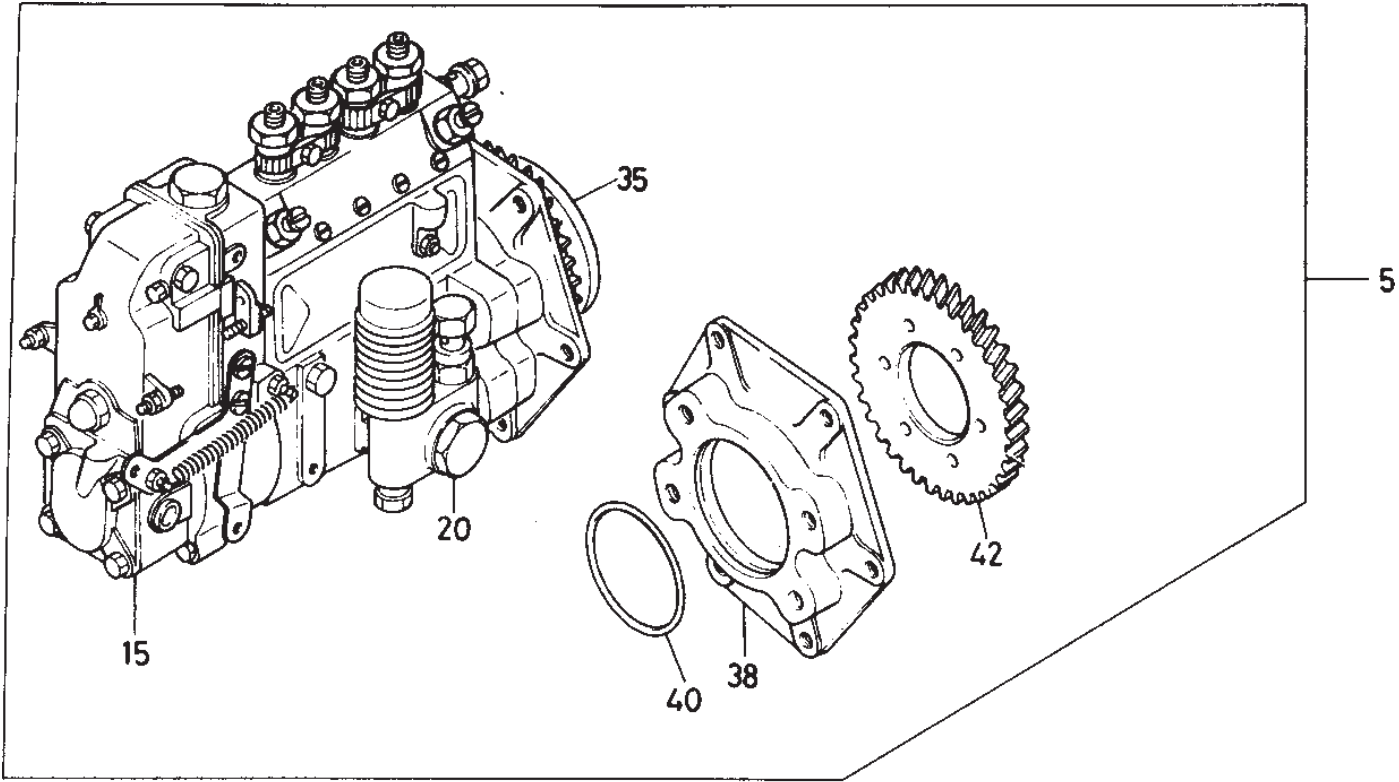
**ENGINE FOOT ASSY.**



## ENGINE FOOT ASSY.

<u>NO.</u>	<u>PART NO.</u>	<u>ITEM</u>	<u>QTY.</u>	<u>REMARKS</u>
1	9117712070	ENGINE FOOT, RIGHT SIDE	1	
1-1	5117710501	ENGINE FOOT, LEFT SIDE	1	
6	9029510250	FOOT BOLT, RIGHT SIDE	4	
6-1	9029510250	BOLT FOOT, LEFT SIDE	1	
6-2	9029560400	BOLT FOOT, LEFT SIDE	3	
8	9098518660	PLAIN WASHER	8	
11	5197110010	ALTERNATOR BRACKET	1	
30	9091505080	LOCKWASHER	1	
31	9091114080	NUT	1	
32	9091605120	PLAIN WASHER	1	
33	9829315110	CABLE ASSY.	1	
34	9019312450	BOLT	2	
36	9010558320	BOLT	2	
37	9019108400	BOLT	1	
38	9091647080	PLAIN WASHER	1	
39	9091505080	LOCKWASHER	2	
40	9091605080	PLAIN WASHER	2	
41	9117770750	FRONT LIFTING HANGER	1	
41-1	9117771360	REAR LIFTING HANGER	1	
42	9141491730	REAR HANGER PIECE	2	
43	9091105080	NUT	2	
44	5197190060	ALTERNATOR FAN COVER	1	
46	9091104080	NUT	1	
47	9091505080	LOCKWASHER	1	
51	5113190570	FRONT PLATE PACKING	1	
52	8942059870	BOLT	2	
52-1	9019108320	BOLT	4	

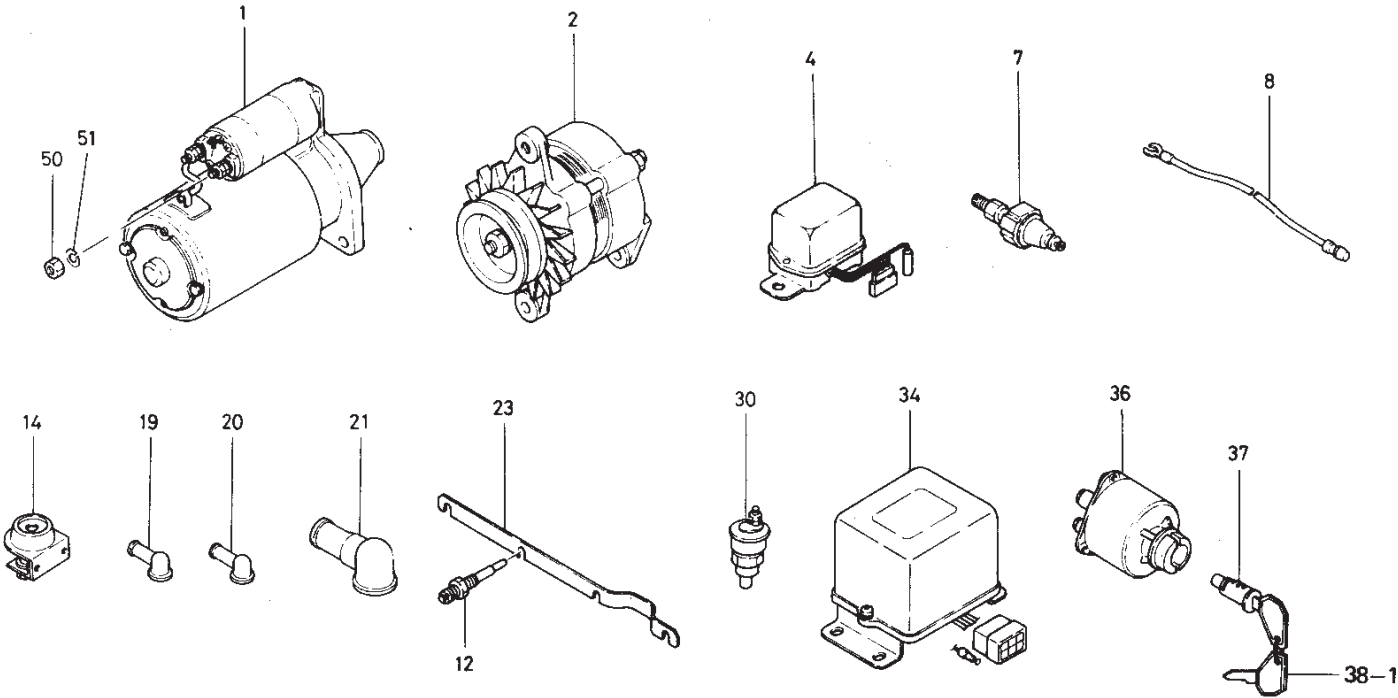
# INJECTION PUMP ASSY.



# INJECTION PUMP ASSY.

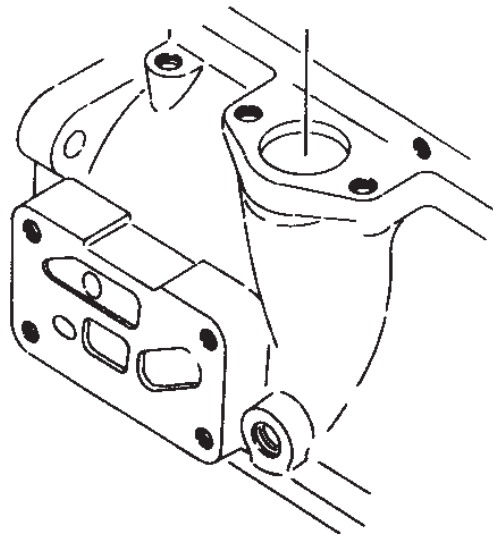
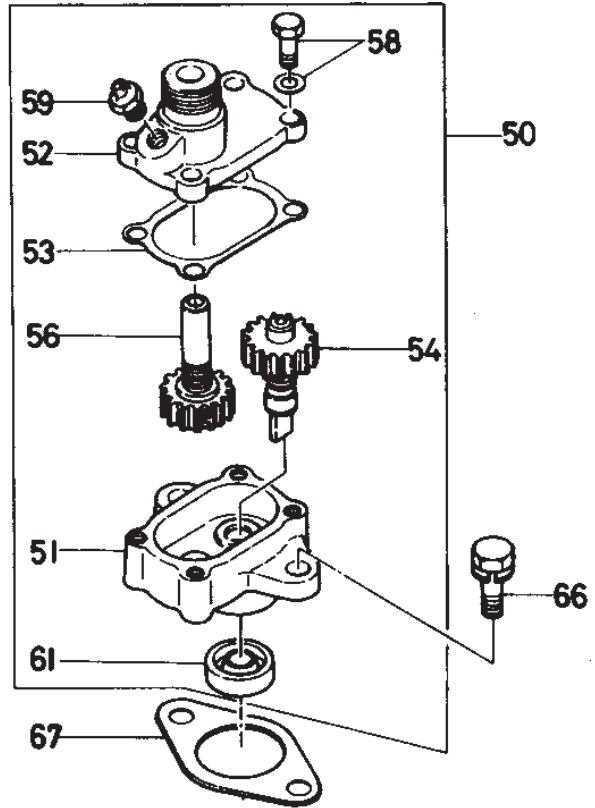
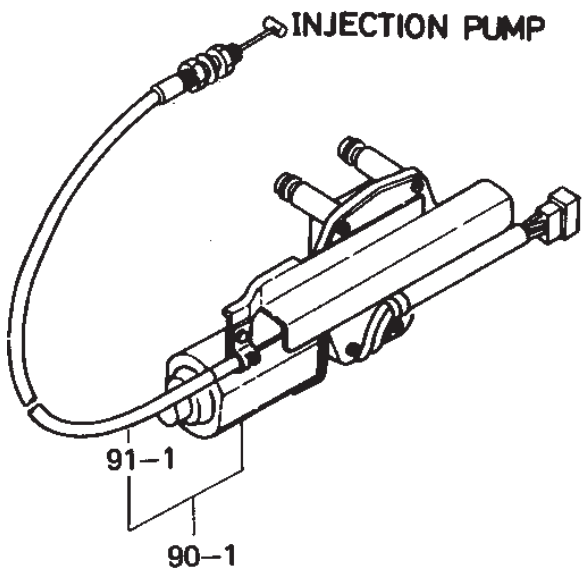
<u>NO.</u>	<u>PART NO.</u>	<u>ITEM</u>	<u>QTY.</u>	<u>REMARKS</u>
5	8943864440	INJECTION PUMP ASSY. ....	1 .....	REPLACES 5156010252 INCLUDES ITEMS W/*
15*	5157201400	GOVERNOR ASSY.	1	
20*	8941415340	FEED PUMP ASSY.	1	
35*	5157400720	AUTOMATIC TIMER	1	
38*	9197510790	INJ. PUMP SPACER BRACKET	1	
40*	9099205760	O RING PACKING	1	
42*	5125240660	INJ. PUMP GEAR	1	

**ELECTRICAL PARTS**



# ELECTRICAL PARTS

<u>NO.</u>	<u>PART NO.</u>	<u>ITEM</u>	<u>QTY.</u>	<u>REMARKS</u>
1	5811000801	STARTER	1	
2	5812003410	ALTERNATOR .....	1 .....	UP TO OCT. 1992
	9822007640	ALTERNATOR .....	1 .....	OCT. 1992~
4	9822531070	REGULATOR	1	
8	9829317430	CABLE ASSY.	1	
12	9825119780	GLOW PLUG	4	
14	9825301090	CONTROL	1	
19	9829513240	INSULATOR CAP	2	
20	9829513250	INSULATOR CAP	2	
21	9829513320	CABLE CAP	1	
23	9197326100	CONNECTOR	1	
30	5824500140	SWITCH	1	
34	5825500190	EMERGENCY RELAY	1	
36	1823100080	STARTER SWITCH	1	
38-1	1823170070	KEY	1	
50	9091114080	NUT	1	
51	9091505080	LOCKWASHER	1	

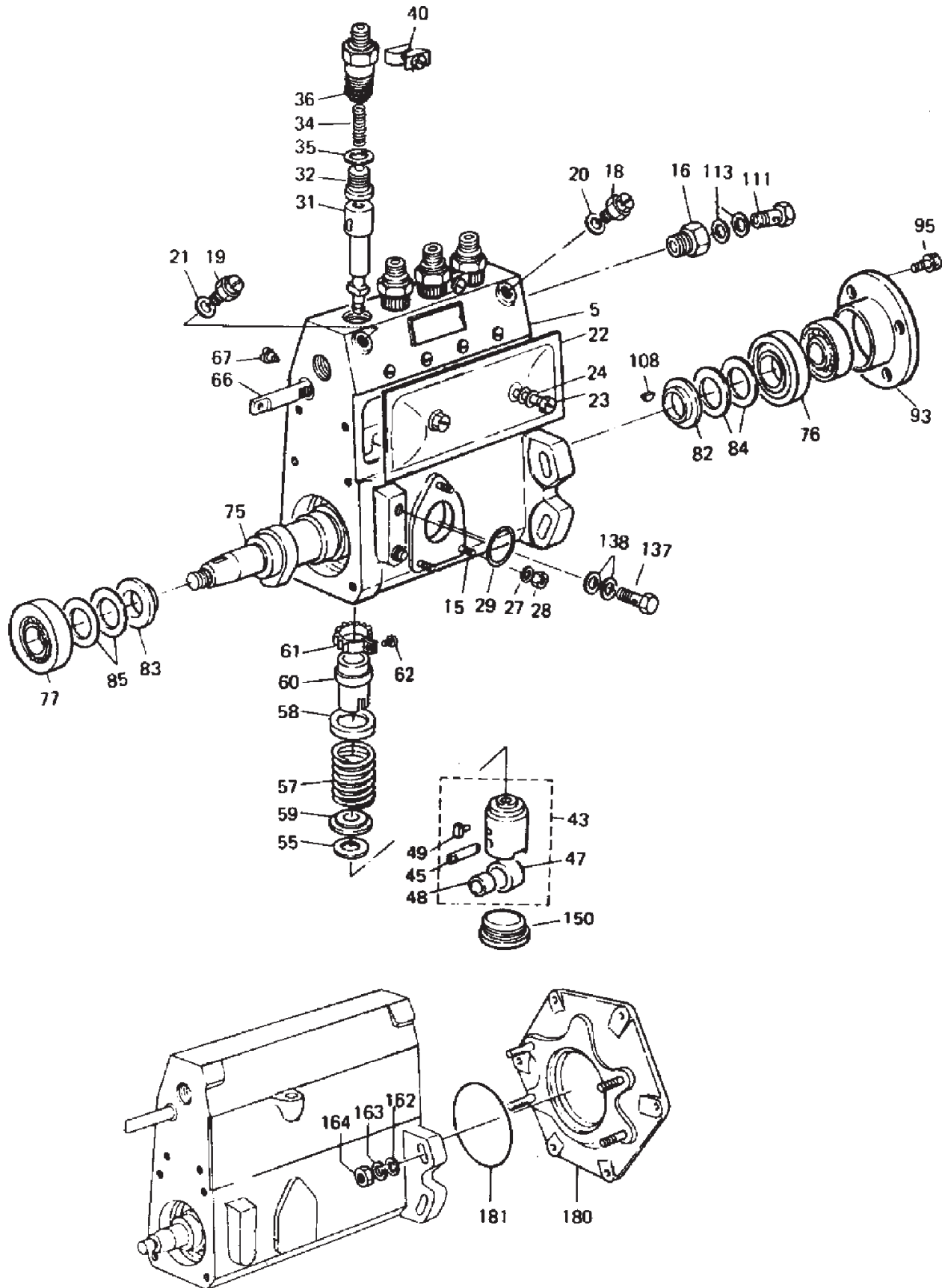




# ACCESSORIES

<u>NO.</u>	<u>PART NO.</u>	<u>ITEM</u>	<u>QTY.</u>	<u>REMARKS</u>
50	5193100060	DRIVE ASSY. ....	1	INCLUDES. ITEMS W/*
51*	9193110240	CASE	1	
52*	9193110200	COVER	1	
53*	9193120060	PACKING	1	
54*	9193160270	GEAR	1	
56*	9193160170	GEAR	1	
58*	9019006160	BOLT	4	
59*	9090310100	NIPPLE	1	
61*	9099243550	OIL SEAL	1	
66	9019008220	BOLT	2	
67	9099211070	PACKING	1	
91	5819000020	STOPPER ASSY.	1	
91-1	5828480360	CABLE ASSY.	1	

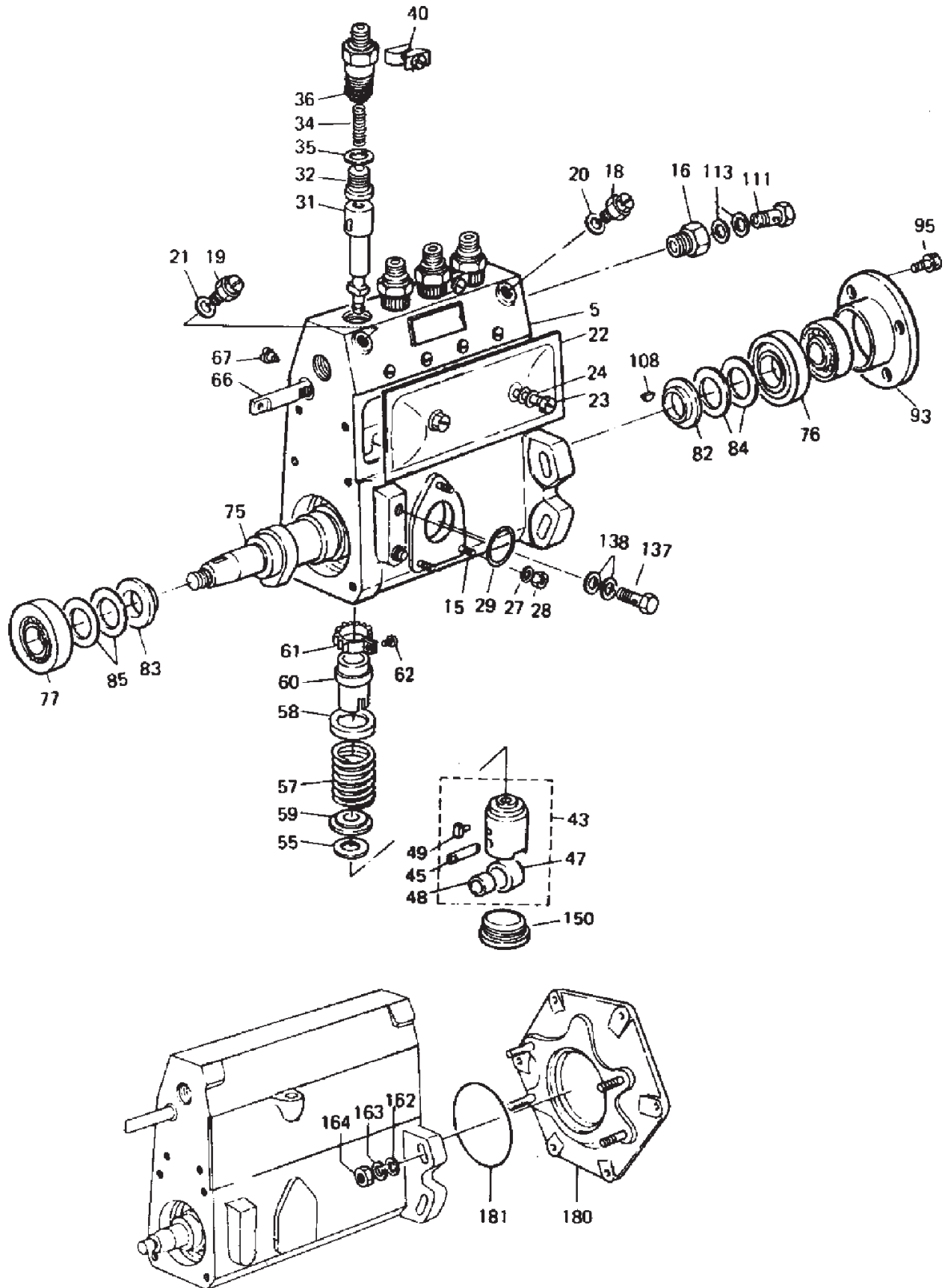
# INJECTION PUMP COMP. ASSY.



# INJECTION PUMP COMP. ASSY.

<u>NO.</u>	<u>PART NO.</u>	<u>ITEM</u>	<u>QTY.</u>	<u>REMARKS</u>
5	5156110460	HOUSING ASSY. ....	1	INCLUDES ITEMS W/*
15*	9812151150	STUD	3	
16*	9812350170	ADAPTER	1	
18*	1156190240	BOLT	2	
20*	1156390080	GASKET	1	
21*	1156390080	GASKET	1	
22*	5156120080	COVER	1	
23*	1156190030	SCREW	2	
24*	9812151440	GASKET	2	
27*	9091505060	LOCK WASHER	3	
28*	9091104060	NUT	3	
29*	1096230130	PACKING	1	
31*	5156310090	PLUNGER ASSY.	4	
32*	9812411030	DELIVERY VALVE	4	
34*	5156430020	DELIVERY VALVE SPRING	4	
35*	9812450140	GASKET	4	
36*	5156440050	HOLDER	4	
40*	5156490160	PLATE ASSY.	2	
43*	9812212230	TAPPET ASSY. ....	4	INCLUDES ITEMS W/#
45*#	9812212200	PIN TAPPET	4	
47*#	1156220030	TAPPET ROLLER	4	
48*#	1156290010	TAPPET BUSHING	4	
49*#	5156190410	TAPPET GUIDE	4	
55*	5156190340	TAPPET SHIM .....	A/R	T=0.30
55-1*	5156190350	TAPPET SHIM .....	A/R	T=0.40
55-2*	5156190360	TAPPET SHIM .....	A/R	T=0.50
55-3*	5156190010	TAPPET SHIM .....	A/R	T=0.60
55-4*	5156190020	TAPPET SHIM .....	A/R	T=0.70
55-5*	5156190030	TAPPET SHIM .....	A/R	T=0.80
55-6*	5156190040	TAPPET SHIM .....	A/R	T=0.90
55-7*	5156190050	TAPPET SHIM .....	A/R	T=1.00
55-8*	5156190070	TAPPET SHIM .....	A/R	T=1.10
55-9*	5156190080	TAPPET SHIM .....	A/R	T=1.20
55-10*	5156190090	TAPPET SHIM .....	A/R	T=1.30
55-11*	5156190100	TAPPET SHIM .....	A/R	T=1.40
55-12*	5156190110	TAPPET SHIM .....	A/R	T=0.55
55-13*	5156190120	TAPPET SHIM .....	A/R	T=0.65
55-14*	5156190130	TAPPET SHIM .....	A/R	T=0.75
55-15*	5156190150	TAPPET SHIM .....	A/R	T=0.85
55-16*	9812350420	TAPPET SHIM .....	A/R	T=0.95
55-17*	9812350430	TAPPET SHIM .....	A/R	T=1.05
55-18*	9812350440	TAPPET SHIM .....	A/R	T=1.15
55-19*	9812350450	TAPPET SHIM .....	A/R	T=1.25
55-20*	5156190250	TAPPET SHIM .....	A/R	T=0.25

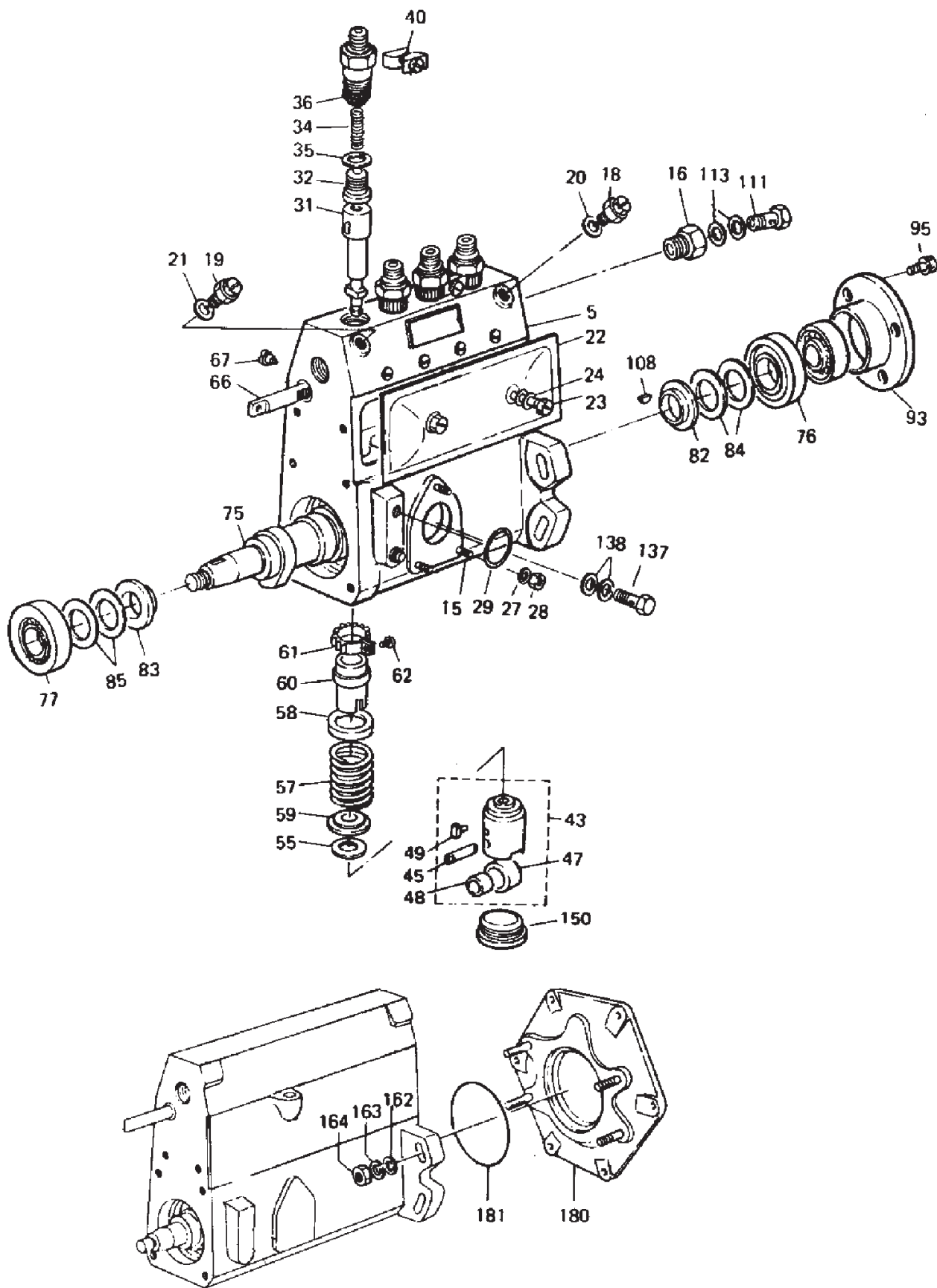
# INJECTION PUMP COMP. ASSY. CONT'D



# INJECTION PUMP COMP. ASSY. CONT'D

<u>NO.</u>	<u>PART NO.</u>	<u>ITEM</u>	<u>QTY.</u>	<u>REMARKS</u>
55-21*	5156190260	TAPPET SHIM .....	A/R .....	T=0.26
55-22*	5156190270	TAPPET SHIM .....	A/R .....	T=0.35
55-23*	5156190370	TAPPET SHIM .....	A/R .....	T=0.45
55-24*	5156191060	TAPPET SHIM .....	A/R .....	T=1.50
55-25*	5156191070	TAPPET SHIM .....	A/R .....	T=1.60
55-26*	5156191080	TAPPET SHIM .....	A/R .....	T=1.35
55-27*	5156191090	TAPPET SHIM .....	A/R .....	T=1.45
55-28*	5156191100	TAPPET SHIM .....	A/R .....	T=1.55
57*	9812314070	PLUNGER SPRING	4	
58*	9812350150	PLUNGER SEAT	4	
59*	9812350210	PLUNGER SEAT	4	
60*	9812250580	SLEEVE	4	
61*	9812250570	PINION	4	
62*	9812350030	SCREW	4	
66*	5156370020	CONTROL RACK	1	
67*	1156390030	SCREW	1	
75*	5156210170	CAM SHAFT	1	
73*	9812232010	BALL BEARING, CAMSHAFT	1	
76-2*	9000906770	BALL BEARING, CAMSHAFT	1	
77*	9812232010	BALL BEARING, GOV. SIDE	1	
77-2*	9000906770	BALL BEARING, GOV. SIDE	1	
82*	9812250470	CAMSHAFT RING	1	
83*	9812250470	CAM RING, GOV. SIDE	1	
84*	5156290150	CAMSHAFT SHIM .....	A/R .....	T=0.10
84-1*	5156290160	CAMSHAFT SHIM .....	A/R .....	T=0.12
84-2*	5156290170	CAMSHAFT SHIM .....	A/R .....	T=0.14
84-3*	5156290180	CAMSHAFT SHIM .....	A/R .....	T=0.16
84-4*	5156290190	CAMSHAFT SHIM .....	A/R .....	T=0.18
84-5*	5156290200	CAMSHAFT SHIM .....	A/R .....	T=0.50
84-6*	5156190380	CAMSHAFT SHIM .....	A/R .....	T=1.00
84-7*	5156290210	CAMSHAFT SHIM .....	A/R .....	T=0.30
84-8*	5156190390	CAMSHAFT SHIM .....	A/R .....	T=0.70
84-9*	1156190900	CAMSHAFT SHIM .....	A/R .....	T=1.40
85*	5156290150	CAMSHAFT SHIM .....	A/R .....	T=0.10
85-1*	5156290160	CAMSHAFT SHIM .....	A/R .....	T=0.30
85-2*	5156290170	CAMSHAFT SHIM .....	A/R .....	T=0.14
85-3*	5156290180	CAMSHAFT SHIM .....	A/R .....	T=0.16
85-4*	5156290190	CAMSHAFT SHIM .....	A/R .....	T=0.18
85-5*	5156290200	CAMSHAFT SHIM .....	A/R .....	T=0.50
85-6*	5156190380	CAMSHAFT SHIM .....	A/R .....	T=1.00
85-7*	5156290210	CAMSHAFT SHIM .....	A/R .....	T=0.30
85-8*	5156190390	CAMSHAFT SHIM .....	A/R .....	T=0.70
85-9*	1156190900	CAMSHAFT SHIM .....	A/R .....	T=1.40
93*	5156290050	HOUSING COVER	1	
95*	9019006140	BOLT	4	

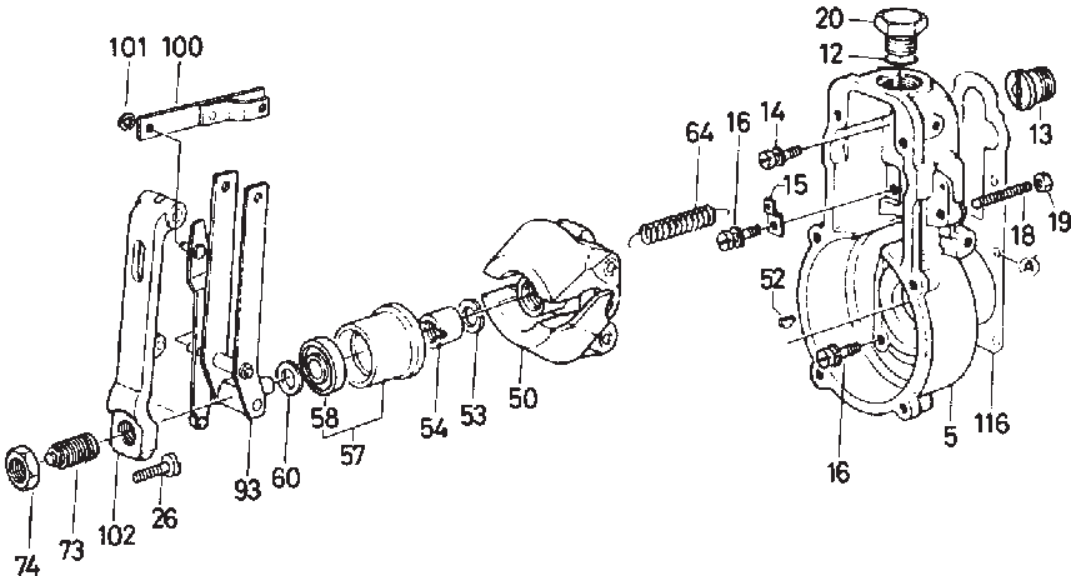
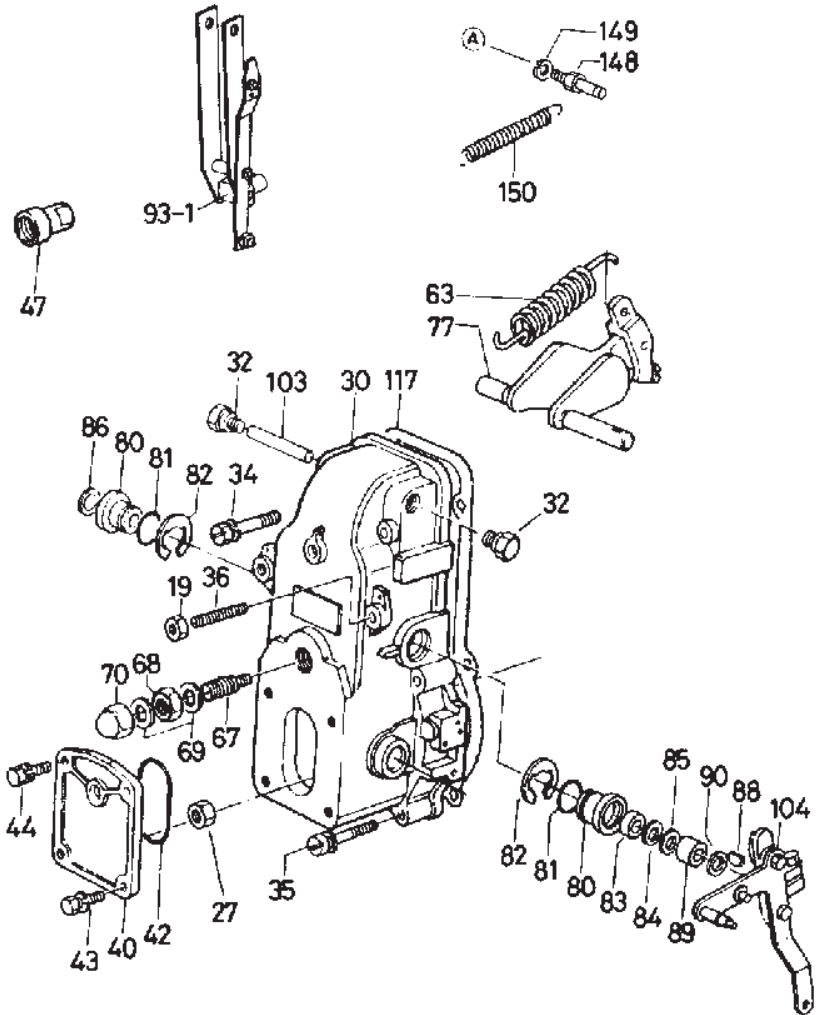
# INJECTION PUMP COMP. ASSY. CONT'D



# INJECTION PUMP COMP. ASSY. CONT'D

<u>NO.</u>	<u>PART NO.</u>	<u>ITEM</u>	<u>QTY.</u>	<u>REMARKS</u>
108*	9812214110	KEY	1	
111*	1156190820	BOLT	1	
113*	1157590010	PACKING	2	
137*	9097060370	BOLT	1	
138*	1096350070	PACKING	2	
150*	9812150780	TAPPET PLUG	4	
162*	9091606100	PLAIN WASHER	4	
163*	9091505100	LOCK WASHER	4	
164*	5156390020	NUT	4	
180*	9197510790	BRACKET	1	
181*	9099205760	O RING PACKING	1	

**GOVERNOR COMP. ASSY.**

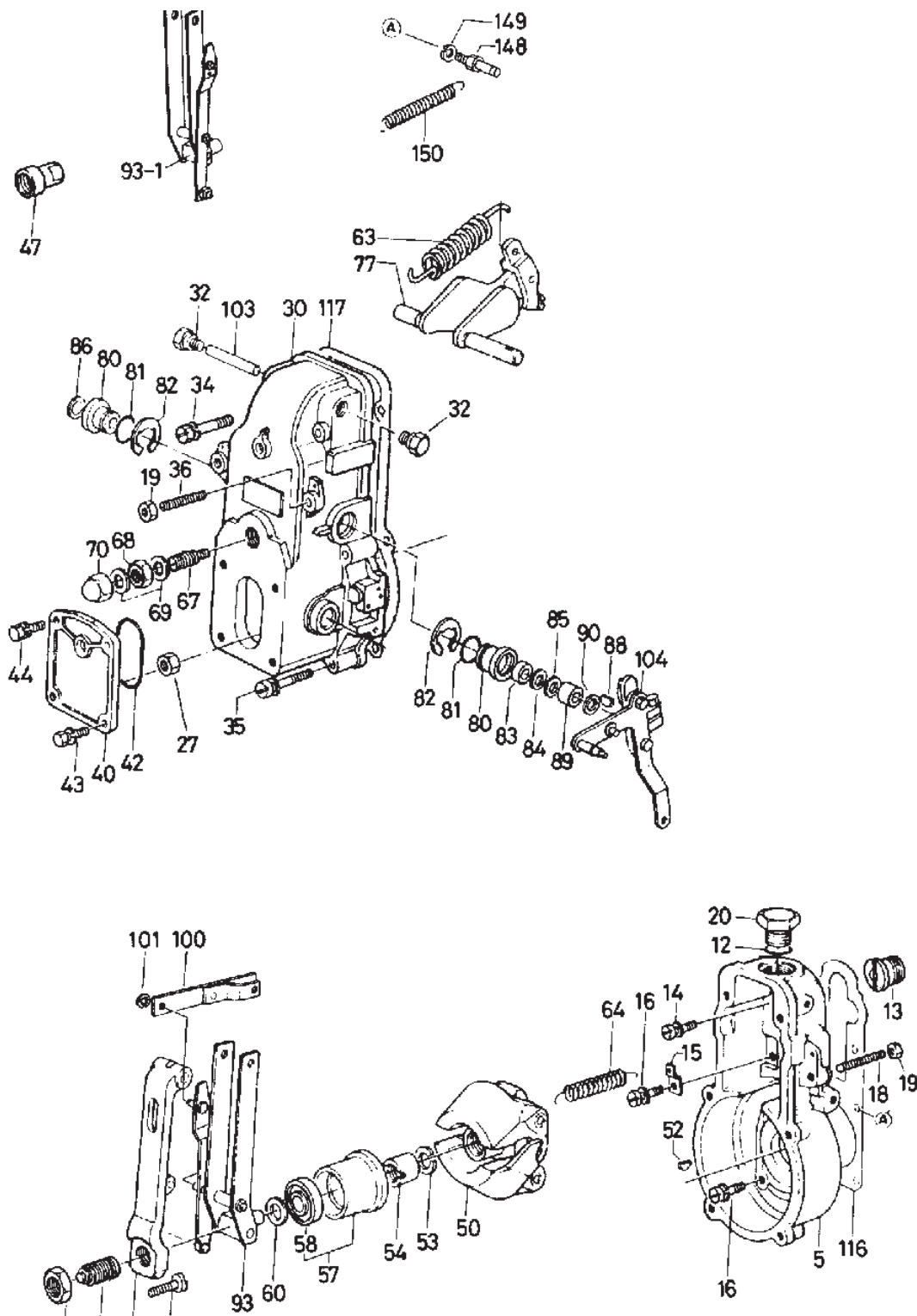




# GOVERNOR COMP. ASSY.

<u>NO.</u>	<u>PART NO.</u>	<u>ITEM</u>	<u>QTY.</u>	<u>REMARKS</u>
5	1157210040	HOUSING .....	1	INCLUDES ITEMS W/*
12*	1157290150	O RING PACKING	1	
13*	9813150650	ADAPTER	1	
14*	9019008180	BOLT	1	
15*	9813253970	HOUSING PLATE	1	
16*	901906140	BOLT	6	
18*	5157291230	SCREW	1	
19*	9813252370	NUT	2	
20*	1157290380	HOUSING PLUG	1	
26*	9813251820	SCREW	1	
27*	9813261120	NUT	1	
30*	5157210080	COVER	1	
32*	5157290530	PLUG	2	
34*	5157290540	BOLT	2	
35*	5157290330	BOLT	2	
36*	5157291230	SCREW	1	
40*	9813211860	COVER	1	
42*	9813919070	O RING PACKING	1	
43*	5157290630	BOLT	2	
44*	9019006160	BOLT	2	
47*	9812350340	CAP	1	
50*	9813213230	FLYWEIGHT ASSY.	1	
52*	5156190490	KEY	1	
53*	5157290340	LOCK WASHER	1	
54*	9813250860	NUT	1	
57*	5157190080	SLEEVE .....	1	INCLUDES ITEM W/#
58*#	9000902290	BEARING	1	
60*	9813250880	SHIM .....	A/R	T=0.20
60-1*	9813255510	SHIM .....	A/R	T=0.30
60-2*	9813255520	SHIM .....	A/R	T=0.40
60-3*	9813255530	SHIM .....	A/R	T=1.00
63*	9813222100	GOVERNOR SPRING	1	
64*	5157230820	LINK SPRING	1	
67*	1157230200	CAPSULE SPRING	1	
68*	9813932040	NUT	1	
69*	1156390080	GASKET	2	
73*	9813216360	CAPSULE SPRING	1	
74*	9008130230	NUT	1	
77*	9813217210	LEVER	1	
80*	9813250990	BUSHING	2	
81*	9813212050	O RING PACKING	2	
82*	9091854150	SNAP RING	2	

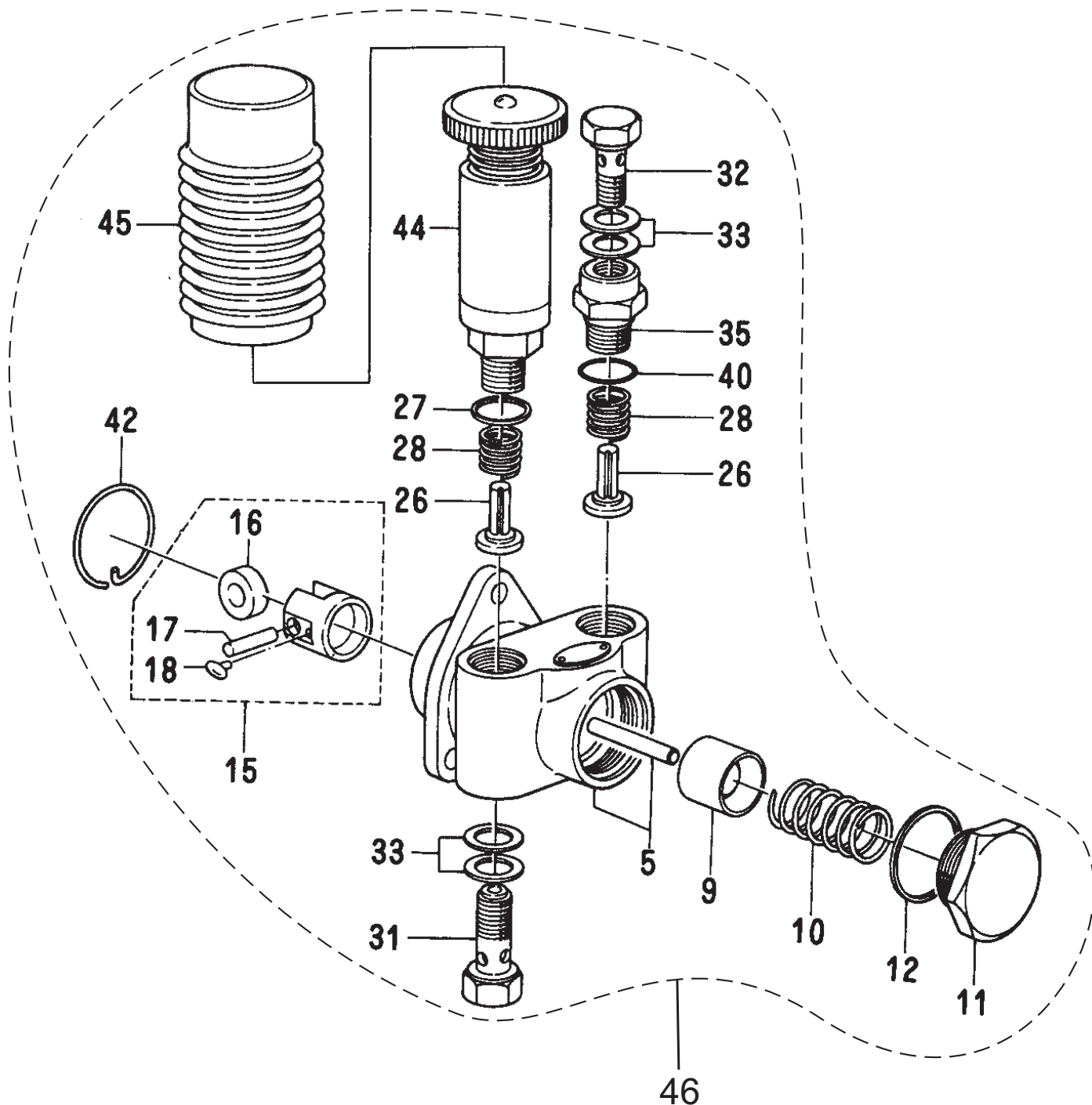
# GOVERNOR COMP. ASSY. CONT'D



# GOVERNOR COMP. ASSY. CONT'D

<u>NO.</u>	<u>PART NO.</u>	<u>ITEM</u>	<u>QTY.</u>	<u>REMARKS</u>
83*	9813212200	OIL SEAL	1	
84*	9813251730	SHIM .....	1	T=0.50
85*	9813250970	SHIM .....	A/R	T=0.30
86*	9813253180	PLUG	1	
88*	9813250300	KEY	1	
89*	9813913070	COLLAR	1	
90*	9813254880	WASHER	A/R	
93*	5157250160	GUIDE LEVER ASSY.	1	
100*	9813217130	LINK	1	
101*	1157290230	SNAP RING	1	
102*	5157250170	TENSION LEVER	1	
103*	9813250620	PIN	1	
104*	5157250490	LEVER	1	
116*	1157290010	GASKET	1	
117*	1157290020	GASKET	1	
148*	5157291120	BOLT	1	
150*	5157230880	SPRING	1	

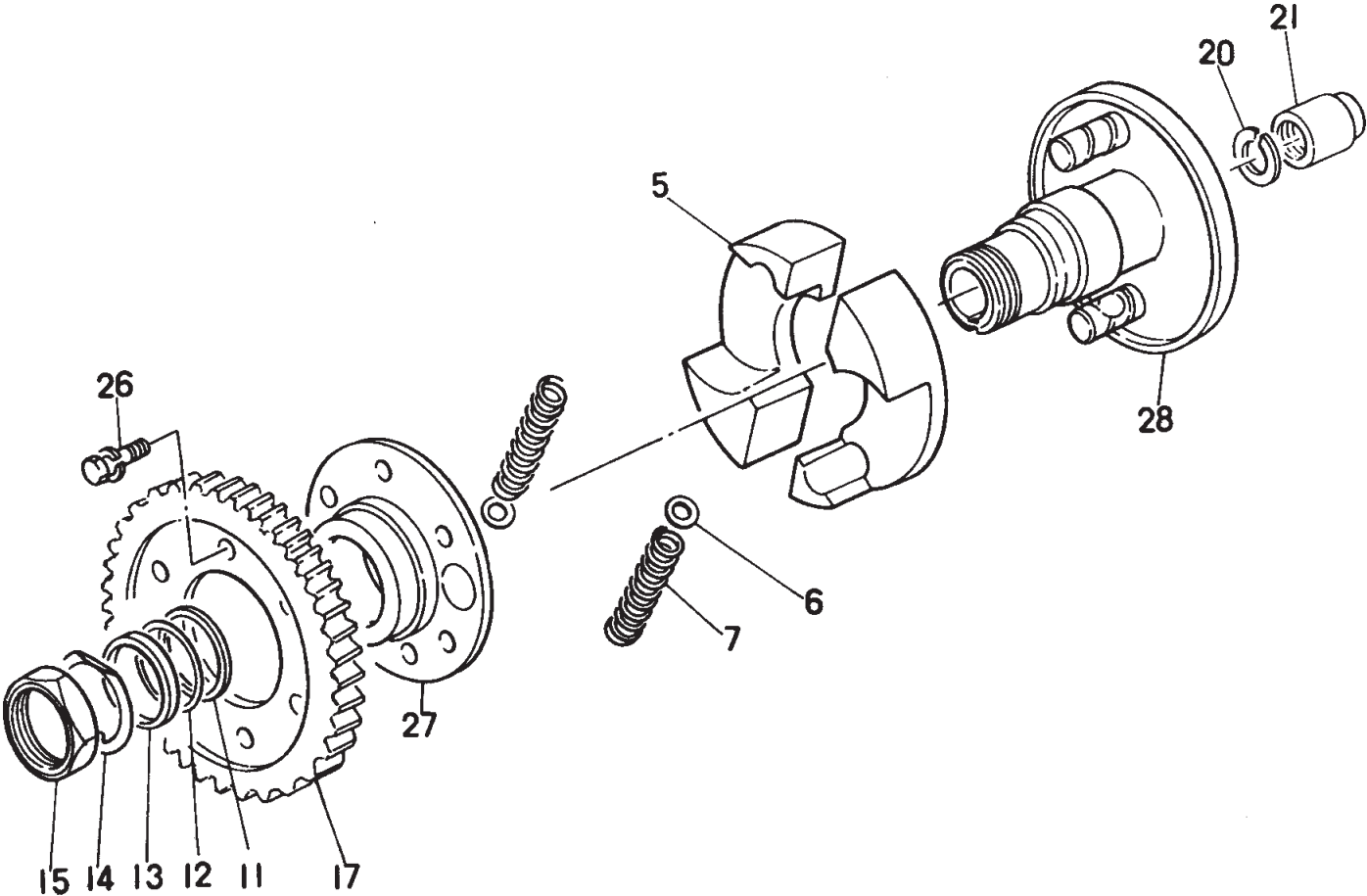
# FEED PUMP COMP. ASSY.



# FEED PUMP COMP. ASSY.

<u>NO.</u>	<u>PART NO.</u>	<u>ITEM</u>	<u>QTY.</u>	<u>REMARKS</u>
5*	5157510120	HOUSING	1	
9*	9813512050	PISTON	1	
10*	9813513030	SPRING	1	
11*	9813550230	PLUG	1	
12*	9813550350	GASKET	1	
15*	5157540010	TAPPET ASSY.....	1	INCLUDES ITEMS W/ #
16*#	9813514030	ROLLER	1	
17*#	9813514100	PIN	1	
18*#	1157590020	GUIDE	2	
26*	9813516020	CHECK VALVE	2	
27*	1096230160	GASKET	1	
28*	9813517020	SPRING	2	
31*	9099063260	BOLT	1	
32*	1156190820	BOLT	1	
33*	1157590010	PACKING	4	
35*	1157590030	ADAPTER	1	
40*	1096230160	PACKING	1	
42*	9813550250	RING	1	
44*	9813521040	PUMP .....	1	REPLACES 5157610050
45*	9813550330	COVER	1	
46	8941415340	PUMP ASSY FEED .....	1	INCLUDES ITEMS W/ *

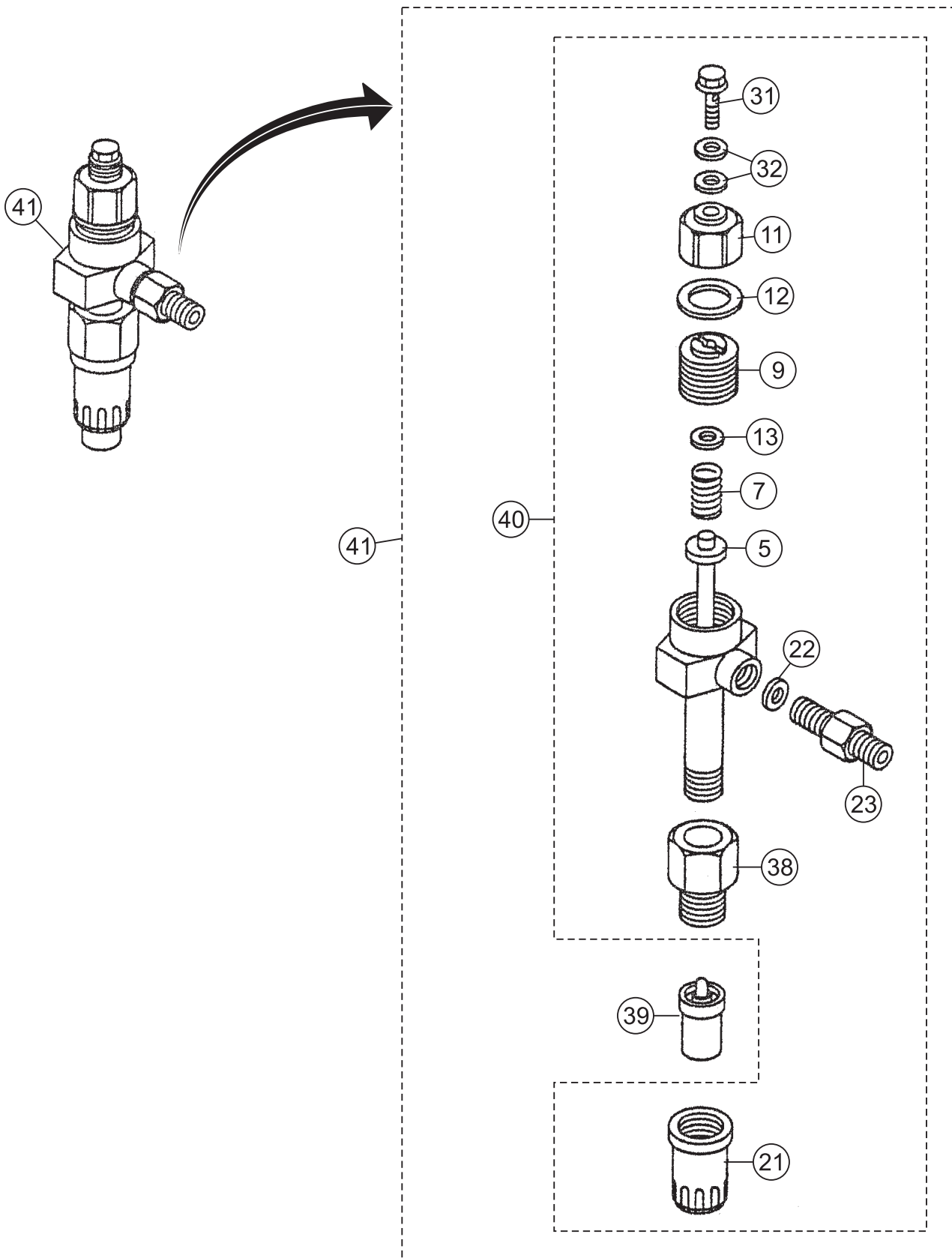
**AUTOTIMER COMP. ASSY.**



# AUTOTIMER COMP. ASSY.

<u>NO.</u>	<u>PART NO.</u>	<u>ITEM</u>	<u>QTY.</u>	<u>REMARKS</u>
5	9813435050	FLYWEIGHT .....	2 .....	INCL. ITEMS W/*
6*	9813450430	SHIM	A/R	
6-1*	9813450440	SHIM	A/R	
6-2*	9813450450	SHIM	A/R	
6-3*	5157490090	SHIM	A/R	
6-4*	5157490100	SHIM	A/R	
6-5*	5157490110	SHIM	A/R	
6-6*	5157490680	SHIM	A/R	
6-7*	5157490690	SHIM	A/R	
6-8*	5157490700	SHIM	A/R	
6-9*	5157490710	SHIM	A/R	
7*	9813450720	TIMER SPRING	2	
11*	9813453380	WASHER	1	
12*	9813453250	SHIM	A/R	
12-1*	9813453260	SHIM	A/R	
12-2*	9813453400	SHIM	A/R	
12-3*	9813453270	SHIM	A/R	
12-4*	9813453280	SHIM	A/R	
12-5*	9813453290	SHIM	A/R	
12-6*	9813453300	SHIM	A/R	
12-7*	9813453310	SHIM	A/R	
12-8*	9813453320	SHIM	A/R	
13*	5157490070	WASHER	1	
14*	9813450520	PLATE	1	
15*	9813453060	NUT	1	
17*	5125240660	GEAR	1	
20-1*	5156190480	LOCK WASHER	1	
21*	1156190010	NUT	1	
26*	5157490080	BOLT	6	
27*	9813433050	FLANGE	1	
28*	5157490280	HOLDER	1	

# NOZZLE HOLDER COMP. ASSY.

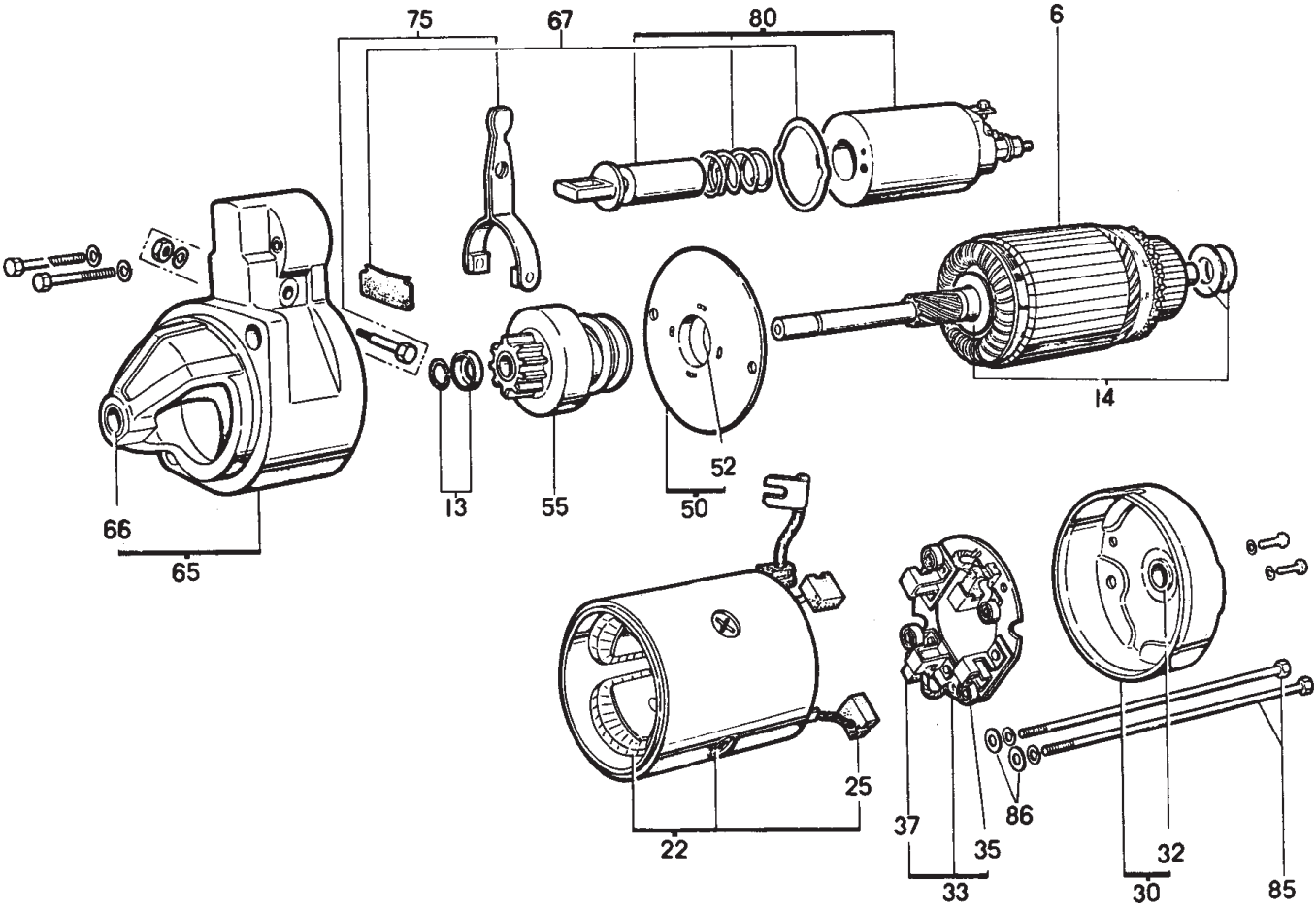




# NOZZLE HOLDER COMP. ASSY.

<u>NO.</u>	<u>PART NO.</u>	<u>ITEM</u>	<u>QTY.</u>	<u>REMARKS</u>
5%#	5153410020	PUSH ROD	4	
7%#	5153430020	SPRING	4	
9%#	9153396010	SCREW	4	
11%#	5153340030	NUT	4	
12%#	9153390560	GASKET	4	
13%#	9153390570	WASHER	4	
21%#	9153326030	NUT	4	
22%#	9153520050	GASKET	4	
23%#	9153510070	CONNECTOR	4	
31%#	5153490010	BOLT	4	
32%#	9095714080	GASKET	8	
38%#	9153596010	SCREW	4	
39%	5153110060	NOZZLE INJECTOR	4	
40%	8941145150	HOLDER ASSY W/O NOZZLE .....	4 .....	INCLUDES ITEMS W/#
41	5153000391	NOZZLE AND HOLDER ASSY .....	4 .....	INCLUDES ITEMS W/%

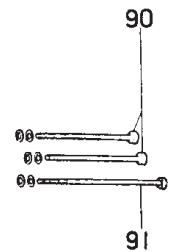
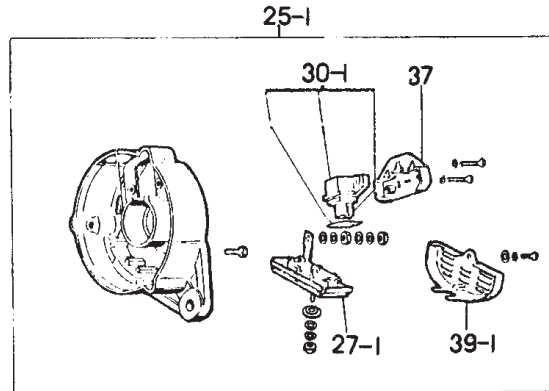
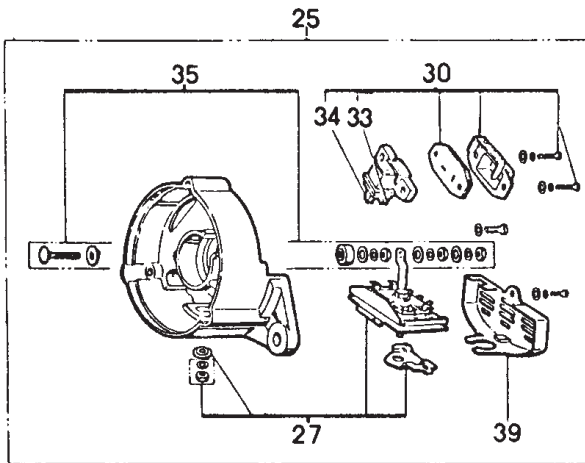
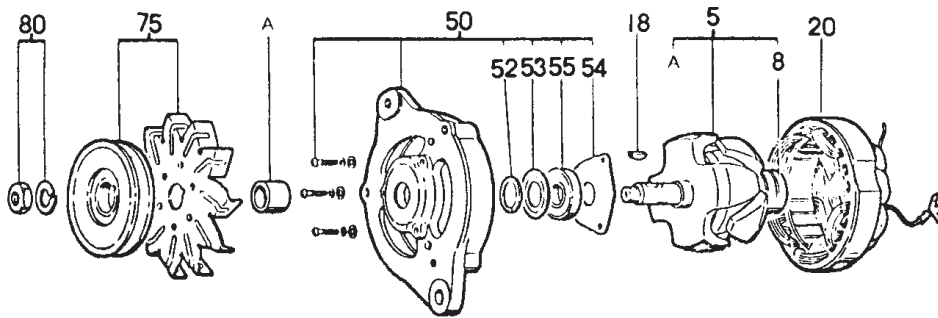
**STARTER COMP. ASSY.**



# STARTER COMP. ASSY.

<u>NO.</u>	<u>PART NO.</u>	<u>ITEM</u>	<u>QTY.</u>	<u>REMARKS</u>
6	5811210160	ARMATURE ASSY. ....	1	INCLUDES ITEMS W/*
13*	5811291050	PINION STOPPER	1	
14*	5811290030	WASHER SET	1	
22*	5811120100	FIELD COIL ASSY. ....	1	INCLUDES ITEM W/>
25*>	5811160480	BRUSH, +	1	
30*	5811150130	REAR COVER ASSY. ....	1	INCLUDES ITEM W/%
32*%	5811190120	REAR METAL	1	
33*	5811160180	BRUSH HOLDER .....	1	INCLUDES ITEMS W/@
35*@	5811170060	BRUSH SPRING	4	
37*@	5811160490	BRUSH, -	2	
50*	5811190130	BRACKET ASSY. ....	1	INCLUDES ITEM W/&
52*&	9821121340	CENTER METAL	1	
55*	5811230070	CLUTCH ASSY.	1	
65*	5811130170	GEAR CASE ASSY. ....	1	INCLUDES ITEM W/#
66*#	5811190260	FRONT METAL	1	
67*	5811290680	DUST COVER	1	
75*	5811270130	SHIFT LEVER ASSY.	1	
80*	5811510290	MAGNETIC SWITCH ASSY.	1	
85*	5811290710	BOLT	2	
86*	5811290730	WASHER	2	

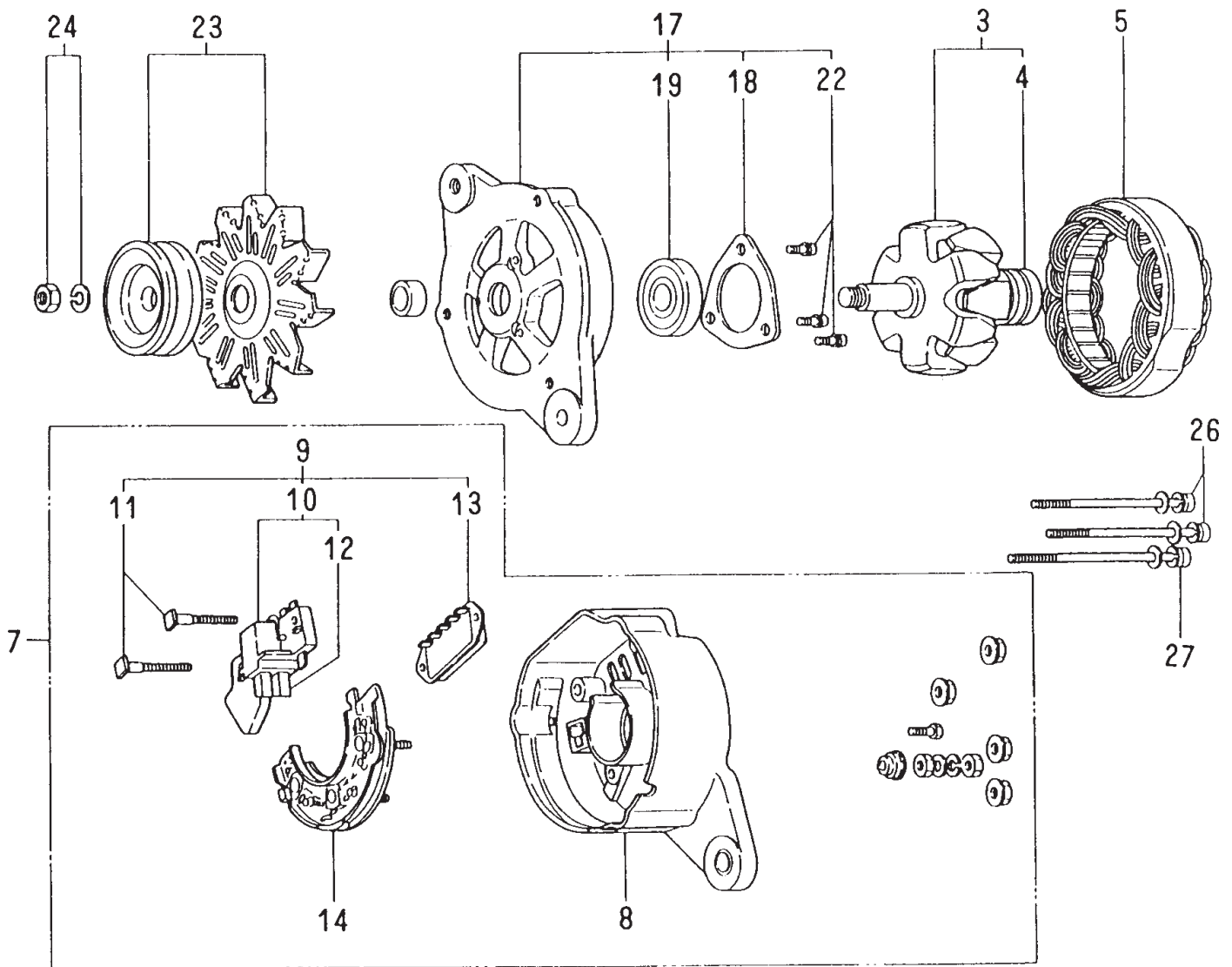
# ALTERNATOR COMP. ASSY. (BEFORE OCT 1992)



# ALTERNATOR COMP. ASSY. (BEFORE OCT 1992 )

<u>NO.</u>	<u>PART NO.</u>	<u>ITEM</u>	<u>QTY.</u>	<u>REMARKS</u>
5	5812210100	ROTOR ASSY. ....	1	INCLUDES ITEMS W/*
8*	9000901810	BALL BEARING	1	
18*	9822250270	KEY	1	
20*	5812110090	STRATOR ASSY.	1	
25*	5812140010	COVER ASSY. ....	1	INCLUDES ITEMS W/#
27*#	9822316190	RECTIFIER ASSY.	1	
30*#	5812150010	HOLDER ASSY.	1	
33*#	9822316170	BRUSH	1	
34*#	9822316180	BRUSH	1	
35*#	9822350700	BOLT ASSY.	1	
39*#	9822319040	RECTIFIER COVER	1	
50*	9822313080	FRONT COVER ASSY. ....	1	INCLUDES ITEMS W/&
52*&	9822158230	PACKING	1	
53*&	9822158240	RETAINER	1	
54*&	9822159170	RETAINER BRIDGE	1	
55*&	9000901820	FRONT BALL BEARING	1	
75*	5812220140	PULLEY ASSY.	1	
80*	9822350740	NUT	1	
90*	9822350720	BOLT .....	2	L=85
91*	9822350730	BOLT .....	2	L=95

# ALTERNATOR COMP. ASSY. (AFTER OCT 1992)



## ALTERNATOR COMP. ASSY. (AFTER OCT 1992 )

<u>NO.</u>	<u>PART NO.</u>	<u>ITEM</u>	<u>QTY.</u>	<u>REMARKS</u>
3	5812210630	ROTOR ASSY.....	1	INCLUDES ITEMS W/* AND W/>
4*>	9000901810	BALL BEARING	1	
5*	5812110580	STRATOR ASSY.	1	
7*	5812141310	REAR COVER ASSY. ....	1	INCLUDES ITEMS W/#
8*#	5812141320	REAR COVER	1	
9*#	5812190360	BRUSH REGULATOR .....	1	INCLUDES ITEMS W/%
10*#%	5812150460	BRUSH ASSY.	1	
11*#%	5812291660	BOLT	2	
12*#%	5812150400	BRUSH	2	
13*#%	5812700040	REGULATOR ASSY.	1	
14*#	5812620050	RECTIFIER	1	
17*	5812130430	FRONT COVER ASSY. ....	1	INCLUDES ITEMS W/&
18*&	5812290290	RETAINER	1	
19*&	5098000870	BALL BEARING	1	
22*&	5812291650	SCREW KIT	1	
23*	5812220760	PULLEY ASSY.	1	
24*	9822350150	NUT	1	
26*	5812291820	BOLT	2	
27*	5812291830	BOLT	1	

# PARTS MANUAL

## HERE'S HOW TO GET HELP

PLEASE HAVE THE MODEL AND SERIAL  
NUMBER ON-HAND WHEN CALLING

### UNITED STATES

#### *Multiquip Inc.*

(310) 537- 3700  
6141 Katella Avenue Suite 200  
Cypress, CA 90630  
E-MAIL: mq@multiquip.com  
WEBSITE: www.multiquip.com

### CANADA

#### *Multiquip*

(450) 625-2244  
4110 Industriel Boul.  
Laval, Quebec, Canada H7L 6V3  
E-MAIL: infocanada@multiquip.com

### UNITED KINGDOM

#### *Multiquip (UK) Limited Head Office*

0161 339 2223  
Unit 2, Northpoint Industrial Estate,  
Globe Lane,  
Dukinfield, Cheshire SK16 4UJ  
E-MAIL: sales@multiquip.co.uk

© COPYRIGHT 2021, MULTIQUIP INC.

Multiquip Inc, the MQ logo and the MQ Power logo are registered trademarks of Multiquip Inc. and may not be used, reproduced, or altered without written permission. All other trademarks are the property of their respective owners and used with permission.

This manual MUST accompany the equipment at all times. This manual is considered a permanent part of the equipment and should remain with the unit if resold.

The information and specifications included in this publication were in effect at the time of approval for printing. Illustrations, descriptions, references and technical data contained in this manual are for guidance only and may not be considered as binding. Multiquip Inc. reserves the right to discontinue or change specifications, design or the information published in this publication at any time without notice and without incurring any obligations.

Manufactured for  
MQ Power Inc.  
by  
DENYO MANUFACTURING CO.

