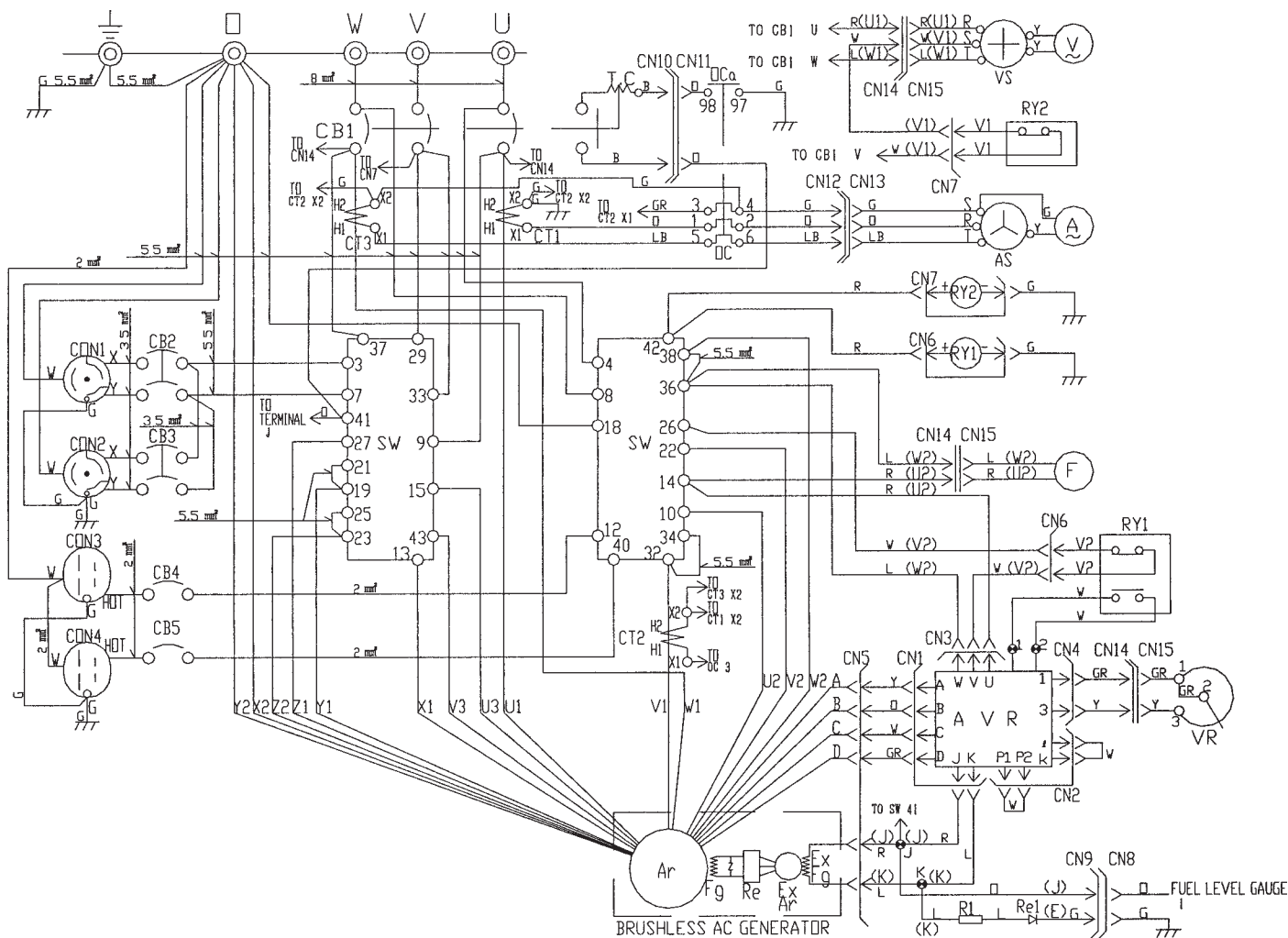


# DCA-25SSIU2 (60 HZ)— SPECIFICATIONS

<b>Table 1. Generator Specifications</b>		
<b>Model</b>	<b>DCA-25SSIU2</b>	
<b>Type</b>	Revolving field, self ventilated, open protected type synchronous generator	
<b>Armature Connection</b>	Star with Neutral	Zig Zag
<b>Phase</b>	3	Single
<b>Standby Output</b>	27.5 KVA (22)KW	15.8 KW
<b>Prime Output</b>	25 KVA (20 KW)	14.4 KW
<b>Voltage</b>	240V or 480V	240/120V
<b>Frequency</b>	60 Hz	
<b>Speed</b>	1,800 rpm	
<b>Power Factor</b>	0.8	1
<b>Aux. AC Power</b>	Single Phase, 60 Hz	
<b>Voltage</b>	120 VAC	
<b>Output</b>	4.8 KW (2.4 KW x 2)	

<b>Table 2. Engine Specifications</b>	
<b>Model</b>	<b>ISUZU AA-4LE2</b>
<b>Type</b>	4 Cycle, water-cooled, direct injection
<b>No. of Cylinders</b>	4 cylinders
<b>Bore x Stroke</b>	3.35 in. x 3.78 in. (85 mm x 96 mm)
<b>Displacement</b>	132 cu. in. (2,179 cc)
<b>Starting</b>	Electric
<b>Coolant Capacity</b>	1.7 gal. (6.4 liters)
<b>Lube Oil Capacity</b>	2.24 gal. (8.5 liters)
<b>Fuel Tank Capacity</b>	17.2 gal. (65 liters)
<b>Fuel Consumption</b>	1.44 gal. (5.47 L)/hr at <b>full load</b>
<b>Battery</b>	27 (CCA 0° F 525A) X1
<b>Fuel</b>	#2 Diesel Fuel

# DCA-25SSIU2 (60 HZ)— GENERATOR WIRING DIAGRAM



SYMBOL	DESIGNATION
Ar	MAIN GENERATOR ARMATURE WINDING
Fg	MAIN GENERATOR FIELD WINDING
ExAr	EXCITER ARMATURE WINDING
ExFg	EXCITER FIELD WINDING
Re	RECTIFIER
AVR	AUTOMATIC VOLTAGE REGULATOR
VR	VOLTAGE REGULATOR (RHEOSTAT)
CT 1,2,3	CURRENT TRANSFORMER
AS	CHANGE-OVER SWITCH, AMMETER
A	AC. AMMETER
VS	CHANGE-OVER SWITCH, VOLTMETER
V	AC. VOLTMETER
F	FREQUENCY METER
CB1	CIRCUIT BREAKER
CB2,3,4	CIRCUIT BREAKER
CB5,6	CIRCUIT BREAKER
CON1,2,3	RECEPTACLE
CON4,5	RECEPTACLE
OC	OVER CURRENT RELAY
SW	SELECTOR SWITCH
RY1,2	RELAY UNIT
R1	RESISTOR
Re1	RECTIFIER
⊗	TERMINAL

### CONNECTOR ARRANGEMENT (WIRING VIEW)

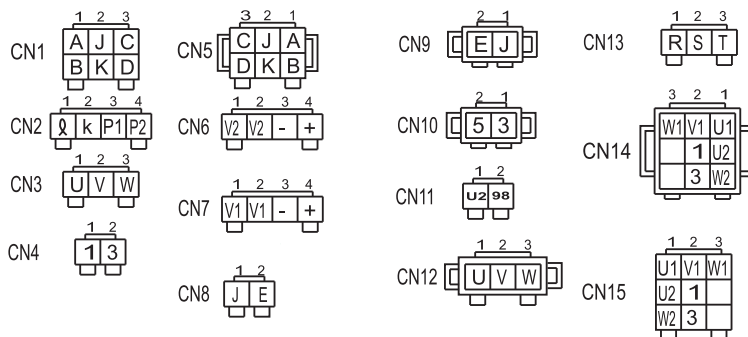
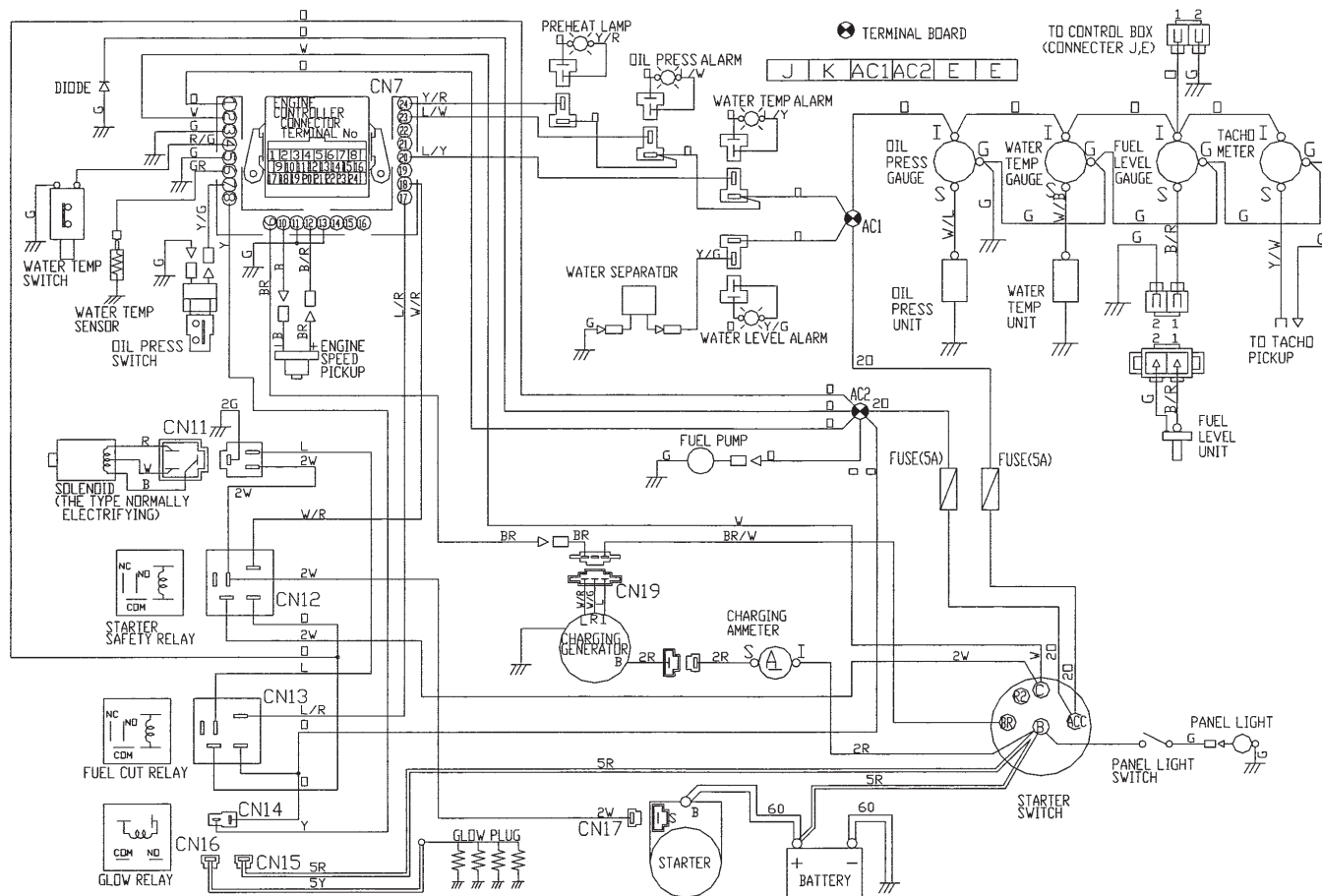
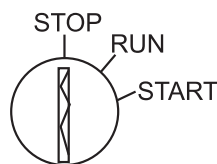


Figure 61. Generator Wiring Diagram

# DCA-25SSIU2 (60 HZ)— ENGINE WIRING DIAGRAM



COLOR CODE			
	WIRE COLOR		WIRE COLOR
B	BLACK	R	RED
L	BLUE	W	WHITE
BR	BROWN	Y	YELLOW
G	GREEN	LB	LIGHT BLUE
GR	GRAY	LG	LIGHT GREEN
V	VIOLET	O	ORANGE
P	PINK		



	KEY CONNECTION DIAGRAM				
	B	ACC	R2	C	BR
STOP	○				
RUN	○	○			○
START	○	○	○	○	○

WARNING: CONNECTOR viewed from inserting wire side.

Figure 62. Engine Wiring Diagram