

PARTS MANUAL



WHISPERWATT™ SERIES MODEL DCA25SSIU4FC8 60Hz GENERATOR (ISUZU 4LE2T DIESEL ENGINE)

PARTS LIST NO. M1871300804A

Revision #1 (02/17/23)

To find the latest revision of this publication or associated operation manual, visit our website at: www.mqpower.com



THIS MANUAL MUST ACCOMPANY THE EQUIPMENT AT ALL TIMES.

DCA25SSIU4FC8 60 Hz Generator

| | |
|--|---|
| Explanation Of Code In Remarks Column..... | 4 |
| Suggested Spare Parts | 5 |

Component Drawings

| | |
|---|-------|
| Generator Assembly | 6–7 |
| Control Panel Assembly | 8–9 |
| Control Box 1 Assembly | 10–13 |
| Control Box 2 Assembly | 14–15 |
| Engine And Radiator Assembly..... | 16–19 |
| Output Terminal Assembly..... | 20–21 |
| Battery Assembly..... | 22–23 |
| Muffler Assembly | 24–25 |
| Fuel Tank Assembly..... | 26–27 |
| Enclosure Assembly | 28–31 |
| Rubber Seals Assembly | 32–33 |
| Battery Charger Assembly (Option)..... | 34–35 |
| Engine Block Heater Assembly (Option) | 36–37 |
| Nameplate And Decals Assembly | 38–39 |

NOTICE

Specifications and part numbers are subject to change without notice.

EXPLANATION OF CODE IN REMARKS COLUMN

The following section explains the different symbols and remarks used in the Parts section of this manual. Use the help numbers found on the back page of the manual if there are any questions.

NOTICE

The contents and part numbers listed in the parts section are subject to change **without notice**. Multiquip does not guarantee the availability of the parts listed.

SAMPLE PARTS LIST

| NO. | PART NO. | PART NAME | QTY. | REMARKS |
|-----|----------|----------------------|------|---------------------|
| 1 | 12345 | BOLT | 1 | INCLUDES ITEMS W/% |
| 2% | | WASHER, 1/4 IN. | | NOT SOLD SEPARATELY |
| 2% | 12347 | WASHER, 3/8 IN. ... | 1 | MQ-45T ONLY |
| 3 | 12348 | HOSE | A/R | MAKE LOCALLY |
| 4 | 12349 | BEARING | 1 | S/N 2345B AND ABOVE |

NO. Column

Unique Symbols — All items with same unique symbol (@, #, +, %, or >) in the number column belong to the same assembly or kit, which is indicated by a note in the “Remarks” column.

Duplicate Item Numbers — Duplicate numbers indicate multiple part numbers, which are in effect for the same general item, such as different size saw blade guards in use or a part that has been updated on newer versions of the same machine.

NOTICE

When ordering a part that has more than one item number listed, check the remarks column for help in determining the proper part to order.

PART NO. Column

Numbers Used — Part numbers can be indicated by a number, a blank entry, or TBD.

TBD (To Be Determined) is generally used to show a part that has not been assigned a formal part number at the time of publication.

A blank entry generally indicates that the item is not sold separately or is not sold by Multiquip. Other entries will be clarified in the “Remarks” Column.

QTY. Column

Numbers Used — Item quantity can be indicated by a number, a blank entry, or A/R.

A/R (As Required) is generally used for hoses or other parts that are sold in bulk and cut to length.

A blank entry generally indicates that the item is not sold separately. Other entries will be clarified in the “Remarks” Column.

REMARKS Column

Some of the most common notes found in the “Remarks” Column are listed below. Other additional notes needed to describe the item can also be shown.

Assembly/Kit — All items on the parts list with the same unique symbol will be included when this item is purchased.

Indicated by:

“INCLUDES ITEMS W/(unique symbol)”

Serial Number Break — Used to list an effective serial number range where a particular part is used.

Indicated by:

“S/N XXXXX AND BELOW”

“S/N XXXX AND ABOVE”

“S/N XXXX TO S/N XXX”

Specific Model Number Use — Indicates that the part is used only with the specific model number or model number variant listed. It can also be used to show a part is NOT used on a specific model or model number variant.

Indicated by:

“XXXXX ONLY”

“NOT USED ON XXXX”

“Make/Obtain Locally” — Indicates that the part can be purchased at any hardware shop or made out of available items. Examples include battery cables, shims, and certain washers and nuts.

“Not Sold Separately” — Indicates that an item cannot be purchased as a separate item and is either part of an assembly/kit that can be purchased, or is not available for sale through Multiquip.

SUGGESTED SPARE PARTS

DCA25SSIU4FC8 WHISPERWATT GENERATOR WITH ISUZU 4LE2T DIESEL ENGINE

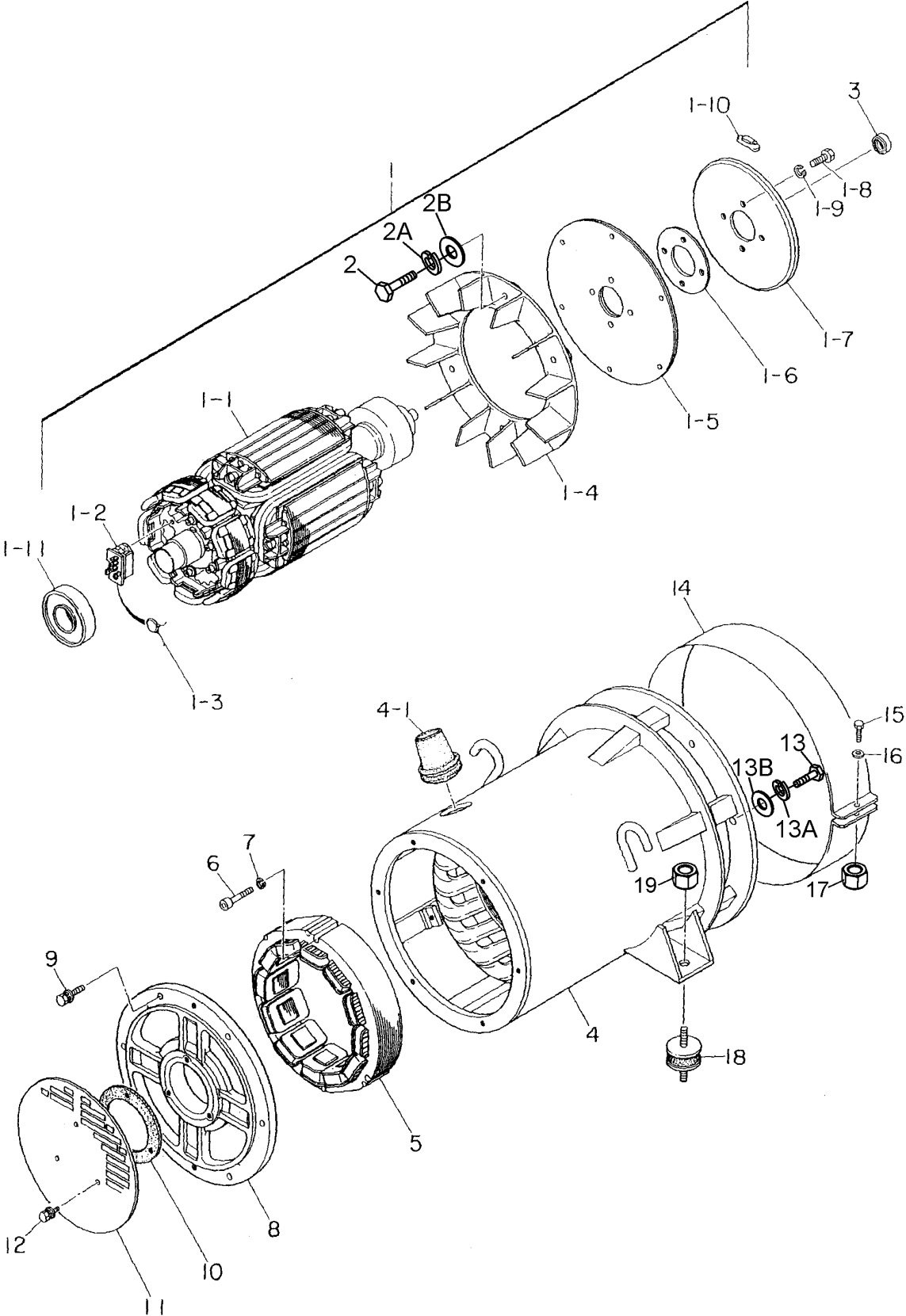
1 TO 3 UNITS

| Qty. | P/N | Description |
|--------|------------------|-----------------------------|
| 6..... | 2944566410..... | ELEMENT, OIL FILTER |
| 3..... | PMAF25436..... | PRIMARY AIR FILTER (INNER) |
| 3..... | P822769..... | SAFETY AIR FILTER (OUTER) |
| 6..... | 8982402790..... | ELEMENT, FUEL FILTER (MAIN) |
| 6..... | 8982402800..... | ELEMENT, FUEL FILTER (PRE) |
| 3..... | 8981731650..... | KIT, FUEL FEED PUMP |
| 1..... | Y0601802133..... | FUSE, 5A |
| 1..... | Y0601806683..... | FUSE, 8A |
| 3..... | 0601802149..... | FUSE, 10A |
| 2..... | 0601806671..... | FUSE, 15A |
| 1..... | 0601806644..... | FUSE, 30A |
| 1..... | 0601806640..... | FUSE, 65A |
| 2..... | 0601814453..... | ALARM LAMP |
| 2..... | 0601870440..... | CIRCUIT BREAKER 1P 20A |
| 2..... | 0601870441..... | CIRCUIT BREAKER 2P 50A |
| 1..... | 0605505050..... | CAP, FUEL TANK |

NOTICE

Part number on this Suggested Spare Parts list may supersede/replace the P/N shown in the text pages of this book.

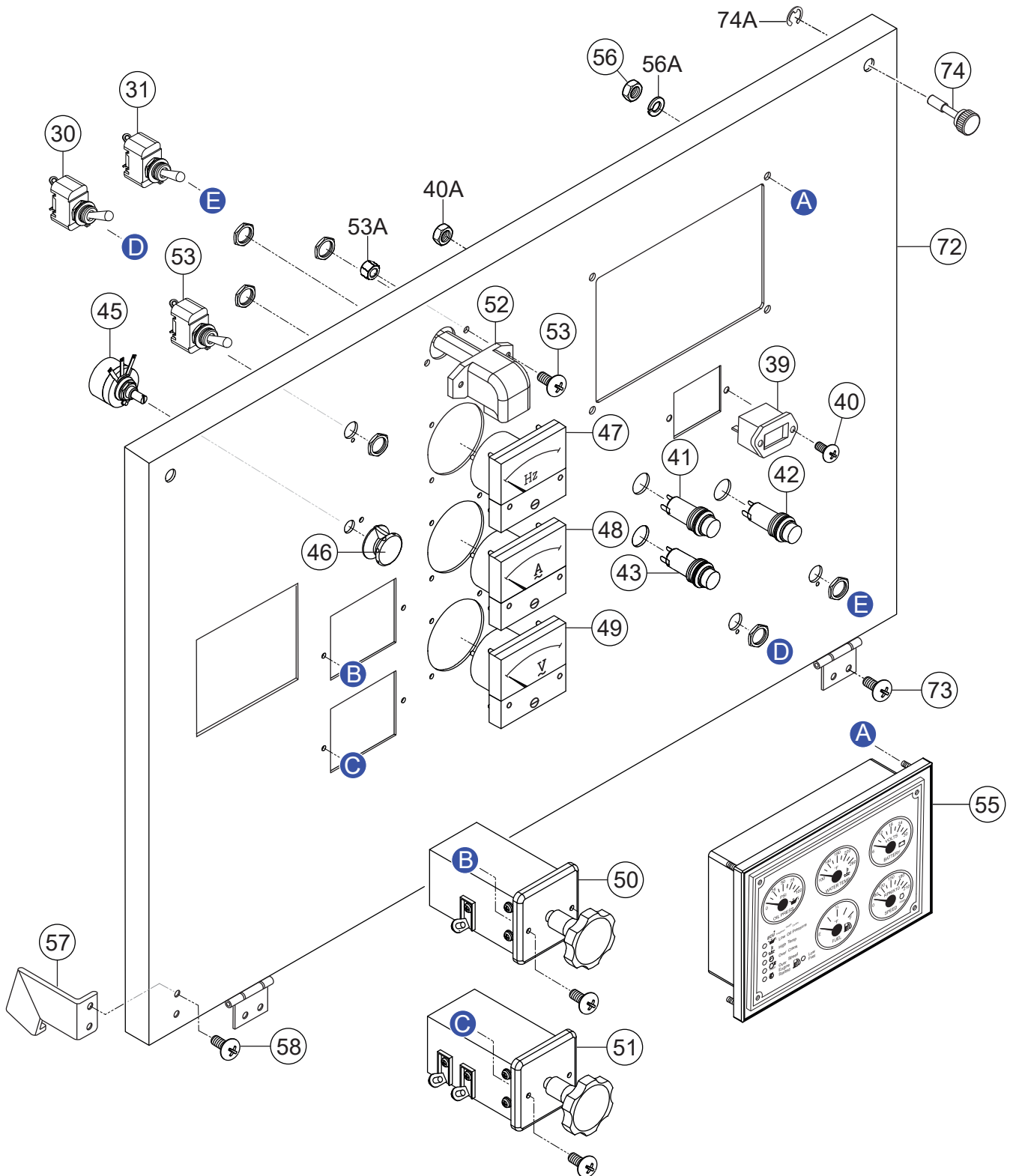
GENERATOR ASSY.



GENERATOR ASSY.

| <u>NO.</u> | <u>PART NO.</u> | <u>PART NAME</u> | <u>QTY.</u> | <u>REMARKS</u> |
|------------|-----------------|----------------------------|-------------|-----------------------------|
| 1 | B1110200602 | ROTOR ASSY. | 1..... | INCLUDES ITEMS W/# |
| 1-1# | | FIELD ASSY. | 1 | |
| 1-2# | 7961025004 | RECTIFIER | 1 | |
| 1-3# | 0601822630 | SURGE ABSORBER | 1 | |
| 1-4# | 8001070003 | FAN | 1 | |
| 1-5# | 8351611004 | COUPLING DISK | 2 | |
| 1-6# | 8351612004 | WASHER, COUPLING HUB | 1 | |
| 1-7# | B1112300003 | BALANCING PLATE | 1..... | PURCHASE ITEM 1-10 AS A SET |
| 1-8# | 0105091025 | HEX. HEAD BOLT | 4..... | REPLACES P/N 0010310025 |
| 1-9# | 030210250 | WASHER, LOCK..... | 4..... | REPLACES P/N 0042510000 |
| 1-10# | 0601000209 | BALANCING WEIGHT KIT | 1 | |
| 1-11# | 042006308 | BEARING..... | 1..... | REPLACES P/N 0071906308 |
| 2 | 0010308035 | HEX. HEAD BOLT | 6 | |
| 2A | 0040008000 | WASHER, LOCK | 6 | |
| 2B | 0401450080 | WASHER, FLAT | 6..... | REPLACES P/N 0041208000 |
| 3 | 0070506803 | BEARING | 1 | |
| 4 | B1130201103 | STATOR ASSY. | 1..... | INCLUDES ITEMS W/% |
| 4-1% | 0845041904 | GROMMET | 1 | |
| 5 | B1138000003 | FIELD ASSY., EXCITER | 1 | |
| 6 | 0016008045 | HEX. SOCKET HEAD CAP SCREW | 3 | |
| 7 | 0042508000 | WASHER, LOCK | 3 | |
| 8 | 8351315003 | END BRACKET | 1 | |
| 9 | 0017108035 | HEX. HEAD BOLT | 6 | |
| 10 | 8351312004 | PACKING | 1 | |
| 11 | 8351331004 | COVER, SUCTION | 1 | |
| 12 | 011106015 | HEX. HEAD BOLT | 3..... | REPLACES P/N 0017106015 |
| 13 | 012010030 | HEX. HEAD BOLT | 6..... | REPLACES P/N 0010310030 |
| 13A | 0040010000 | WASHER, LOCK | 6 | |
| 13B | 031110160 | WASHER, FLAT | 6..... | REPLACES P/N 0041210000 |
| 14 | B0155400204 | COVER, FAN | 1 | |
| 15 | 0010006030 | HEX. HEAD BOLT | 1..... | REPLACES P/N 0010106030 |
| 16 | 952404470 | WASHER, FLAT | 1..... | REPLACES P/N 0041206000 |
| 17 | 020106050 | NUT..... | 1..... | REPLACES P/N 0600815000 |
| 18 | Y0605000409 | RUBBER SUSPENSION | 2 | |
| 19 | 021112140 | SELF-LOCKING NUT | 2..... | REPLACES P/N 0207010000 |

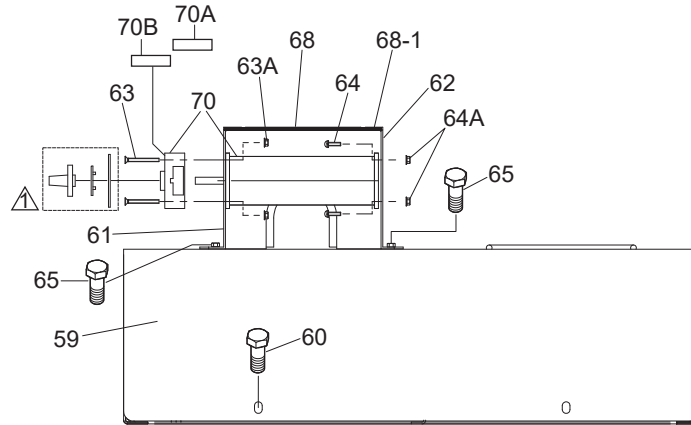
CONTROL PANEL ASSY.



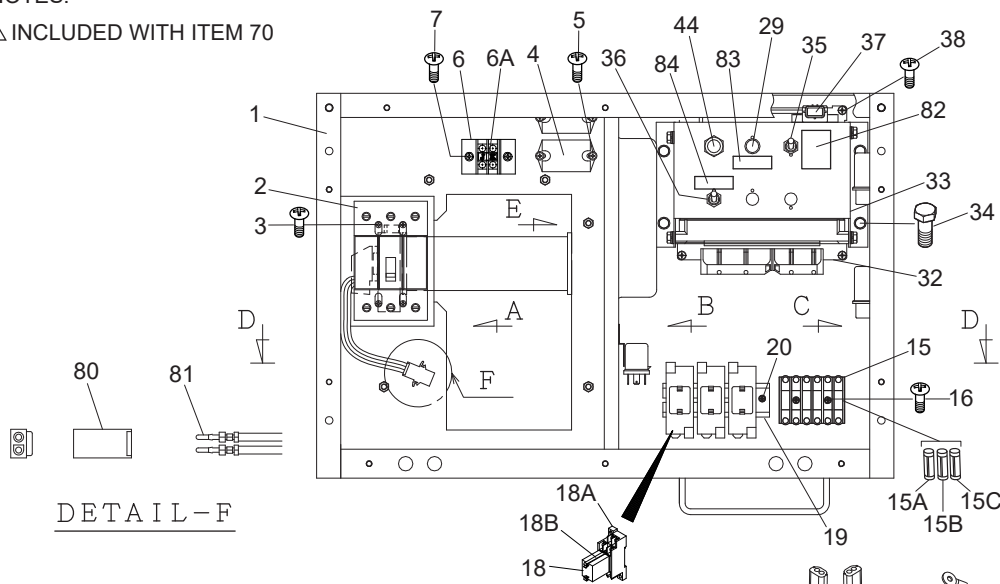
CONTROL PANEL ASSY.

| <u>NO.</u> | <u>PART NO.</u> | <u>PART NAME</u> | <u>QTY.</u> | <u>REMARKS</u> |
|------------|-----------------|--------------------------------|-------------|--------------------------|
| 30 | 82608 | AUTO START/STOP SWITCH | 1..... | REPLACES P/N 0601831340 |
| 31 | 0601830710 | ENGINE SPEED SWITCH | 1 | |
| 39 | 0601800682 | HOUR METER | 1 | |
| 40 | 0027103015 | MACHINE SCREW | 2 | |
| 40A | 0207003000 | SELF-LOCKING NUT | 2 | |
| 41 | 0601814453 | FUEL LEAK DETECTED ALARM LAMP | 1 | |
| 42 | 0601814453 | PREHEAT LAMP | 1 | |
| 43 | 0601814453 | WARNING LAMP | 1 | |
| 45 | 0601840073 | RHEOSTAT (VR) 2W 1K OHM | 1 | |
| 46 | 0601840100 | KNOB..... | 1..... | REPLACES P/N 0601840121 |
| 47 | 0601807641 | FREQUENCY METER, 45~65HZ, 240V | 1 | |
| 48 | 0601808985 | AC AMMETER 0~50A, 0~100A/5A | 1 | |
| 49 | 0601806859 | AC VOLTMETER 0~600V | 1 | |
| 50 | 0601801040 | CHANGE-OVER SWITCH, AMMETER | 1 | |
| 51 | 0601801041 | CHANGE-OVER SWITCH, VOLTMETER | 1 | |
| 52 | Y0601810170 | PANEL LIGHT 12V | 1 | |
| 53 | 0027104020 | MACHINE SCREW | 2 | |
| 53A | OEMAA8 | SELF-LOCKING NUT | 2..... | REPLACES P/N 0207004000 |
| 54 | 0601830710 | PANEL LIGHT SWITCH | 1 | |
| 55 | ECU754 | CONTROLLER | 1..... | REPLACES P/N Y0602203074 |
| 56 | Y0206707000 | HEX. NUT | 4 | |
| 56A | Y0044807000 | WASHER, LOCK | 4 | |
| 57 | M1223100104 | STOPPER | 1 | |
| 58 | 0027105010 | MACHINE SCREW | 2 | |
| 72 | M1224000103 | CONTROL PANEL | 1 | |
| 73 | 0027105010 | MACHINE SCREW | 4 | |
| 74 | M9220100004 | SET SCREW | 2 | |
| 74A | 0080200007 | E-SNAP RING | 2 | |

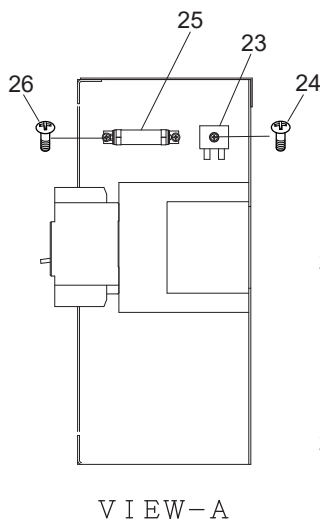
CONTROL BOX 1 ASSY.



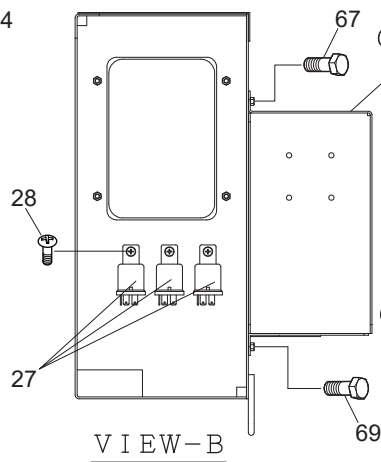
NOTES:
 ▲ INCLUDED WITH ITEM 70



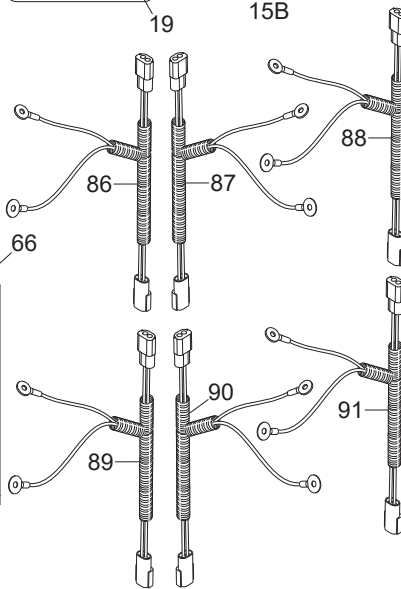
DETAIL - F



VIEW - A



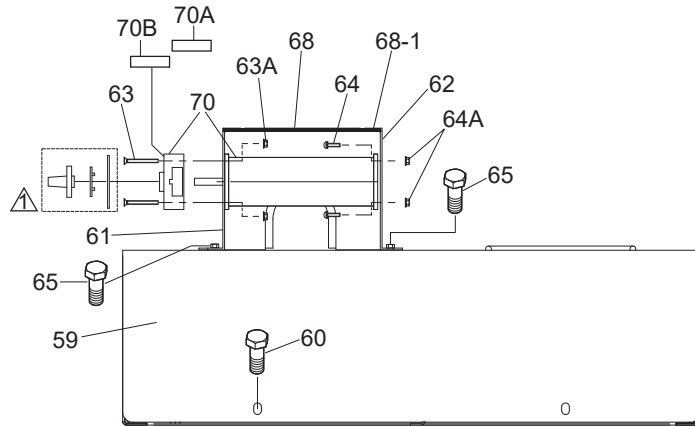
VIEW - B



CONTROL BOX 1 ASSY.

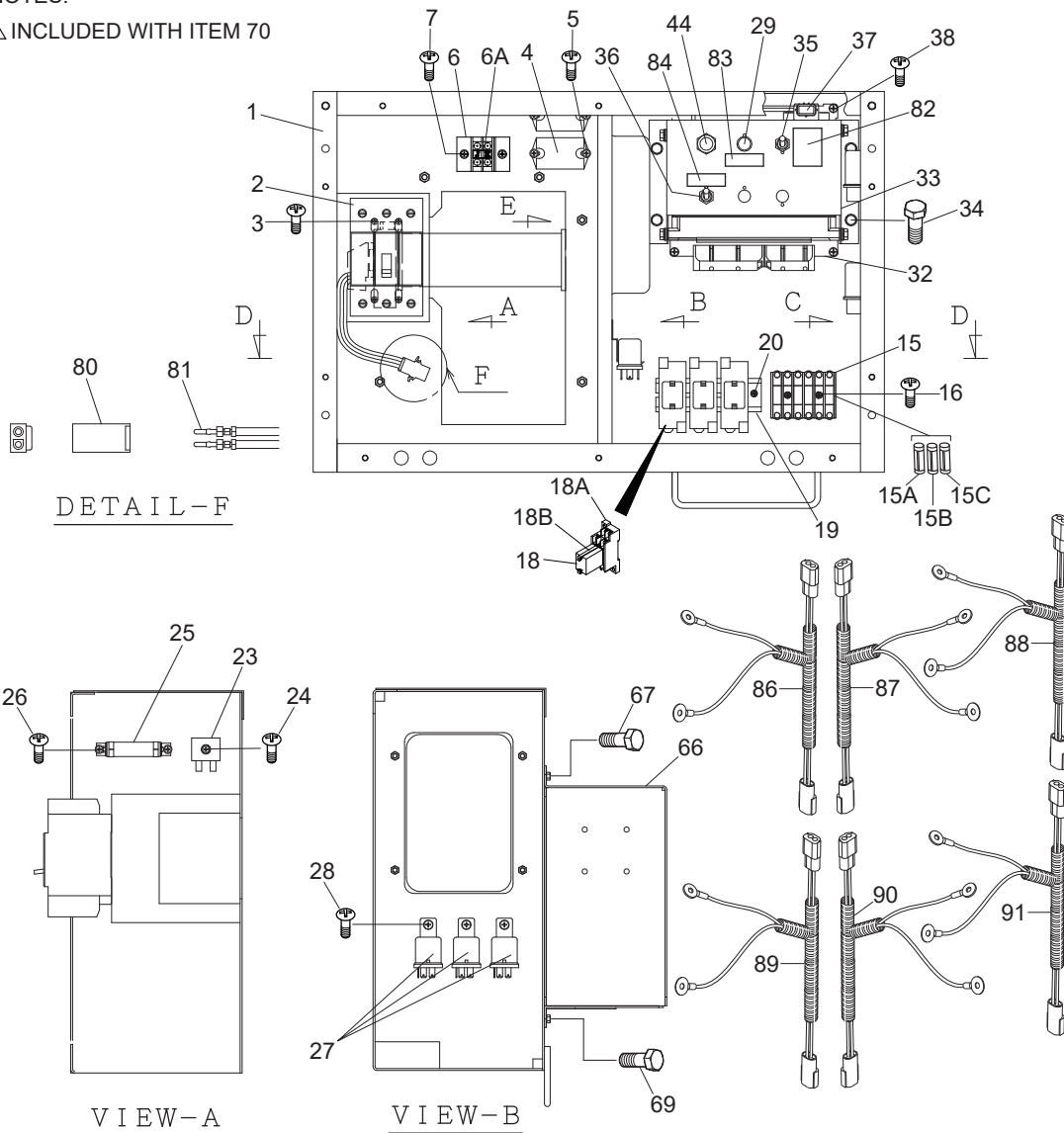
| <u>NO.</u> | <u>PART NO.</u> | <u>PART NAME</u> | <u>QTY.</u> | <u>REMARKS</u> |
|------------|-----------------|----------------------------------|-------------|--------------------------|
| 1 | M1214000312 | CONTROL BOX | 1 | |
| 2 | 0601870430 | CIRCUIT BREAKER, 3P 60A | 1 | |
| 3 | 0021004075 | MACHINE SCREW | 4 | |
| 4 | 0601823863 | RELAY UNIT | 2 | |
| 5 | 7538070 | MACHINE SCREW | 4 | REPLACES P/N 0027104015 |
| 6 | 0601815870 | TERMINAL | 1 | |
| 6A | M9521000404 | DECAL: TERMINAL | 1 | |
| 7 | 0027104020 | MACHINE SCREW | 2 | |
| 15 | Y0601802218 | HOLDER, FUSE | 2 | |
| 15A | 0601806671 | FUSE, 15A | 2 | |
| 15B | 0601802149 | FUSE, 10A | 3 | |
| 15C | 0601802133 | FUSE, 5A | 1 | |
| 16 | 0027103015 | MACHINE SCREW | 2 | |
| 18 | LY2DUS12VDC | RELAY | 3 | REPLACES P/N 0601827656 |
| 18A | PTF08A-E | BASE | 3 | REPLACES P/N 0601823109 |
| 18B | PYCA1 | CLIP | 6 | REPLACES P/N 0601824400 |
| 19 | Y0290000100 | MOUNTING RAIL | 1 | |
| 20 | 0027104010 | MACHINE SCREW | 2 | |
| 23 | 0601823240 | RECTIFIER, DE-45 | 3 | |
| 24 | 0027104030 | MACHINE SCREW | 1 | |
| 25 | 0601842384 | RESISTOR, 20W 50Ω | 1 | |
| 26 | 0027104010 | MACHINE SCREW | 2 | |
| 27 | 5825500290 | RELAY | 3 | REPLACES P/N 0602201400 |
| 28 | 0027105010 | MACHINE SCREW | 3 | |
| 29 | 0601831205 | PUSH BUTTON SWITCH | 1 | |
| 32 | 8982460570 | ENGINE CONTROLLER (ECM) | 1 | REPLACES P/N Y0602203050 |
| 33 | M1214600204 | CONTROLLER BRACKET | 1 | |
| 34 | 011106015 | HEX. HEAD BOLT | 8 | REPLACES P/N 0016906015 |
| 35 | 0601830710 | DIAGNOSTIC SWITCH | 1 | |
| 36 | 0601830762 | FUEL PUMP SWITCH | 1 | |
| 37 | 8972177780 | BAROMETRIC PRESSURE SENSOR | 1 | REPLACES P/N 0602130220 |
| 38 | 0027105015 | MACHINE SCREW | 2 | |
| 44 | 0601814453 | ALARM LAMP | 1 | |
| 59 | M1214500004A4 | CONTROL BOX COVER | 1 | REPLACES P/N M1214500004 |
| 60 | 011106015 | HEX. HEAD BOLT | 4 | REPLACES P/N 0016906015 |
| 61 | M1214600804 | SWITCH BRACKET | 1 | |
| 62 | M1214600904 | SWITCH BRACKET | 1 | |
| 63 | 0021104035 | MACHINE SCREW | 4 | |
| 63A | OEMAA8 | HEX. NUT | 4 | REPLACES P/N 0207004000 |
| 64 | 7538070 | MACHINE SCREW | 4 | REPLACES P/N 0027104015 |
| 64A | OEMAA8 | HEX. NUT | 4 | REPLACES P/N 0207004000 |
| 65 | 011106015 | HEX. HEAD BOLT | 4 | REPLACES P/N 0016906015 |
| 66 | M1214600004 | SWITCH COVER | 1 | |
| 67 | 011106015 | HEX. HEAD BOLT | 6 | REPLACES P/N 0016906015 |
| 68 | M1214600104 | SWITCH COVER | 1 | |
| 68-1 | 0317700180 | WEATHER STRIP | 1 | |
| 69 | 011106015 | HEX. HEAD BOLT | 4 | REPLACES P/N 0016906015 |

CONTROL BOX 1 ASSY. (CONT'D.)



NOTES:

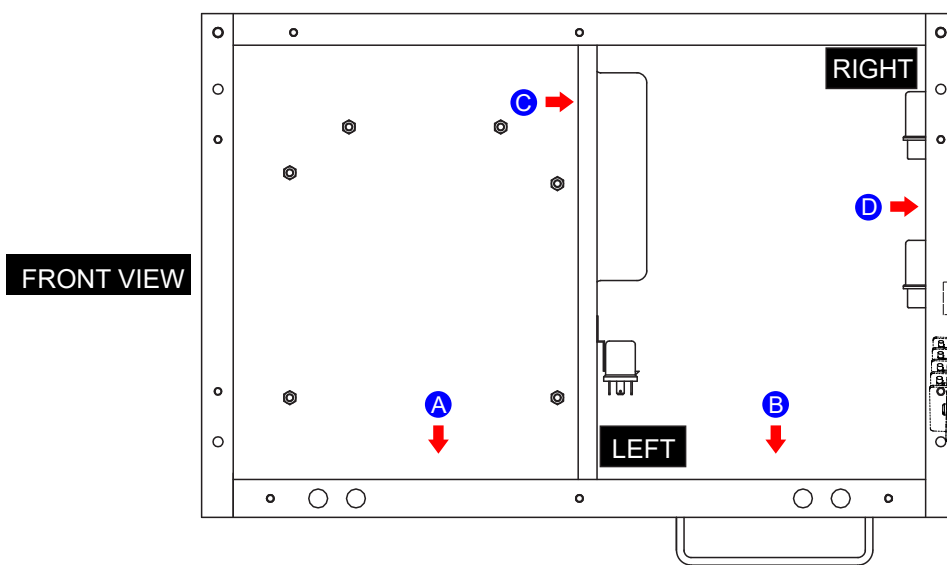
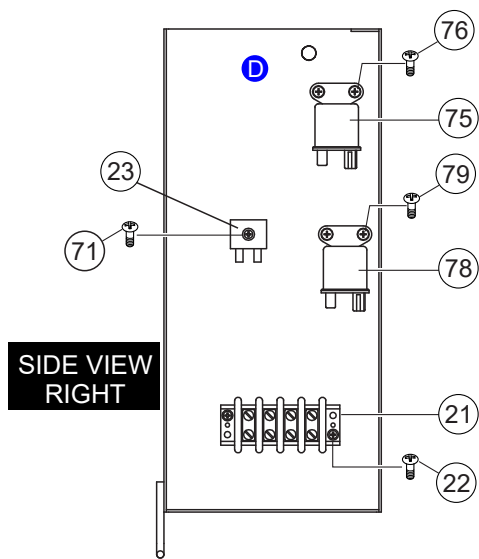
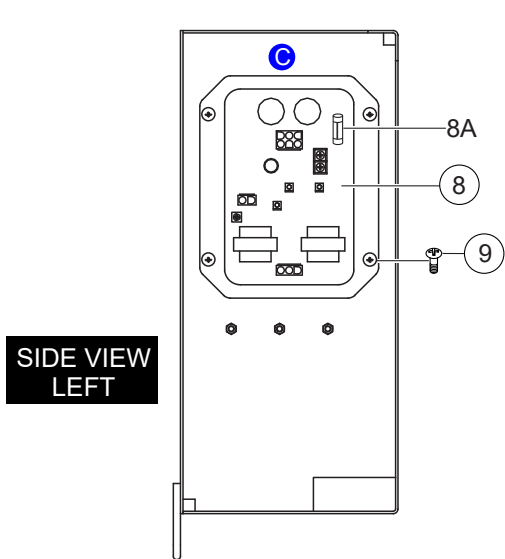
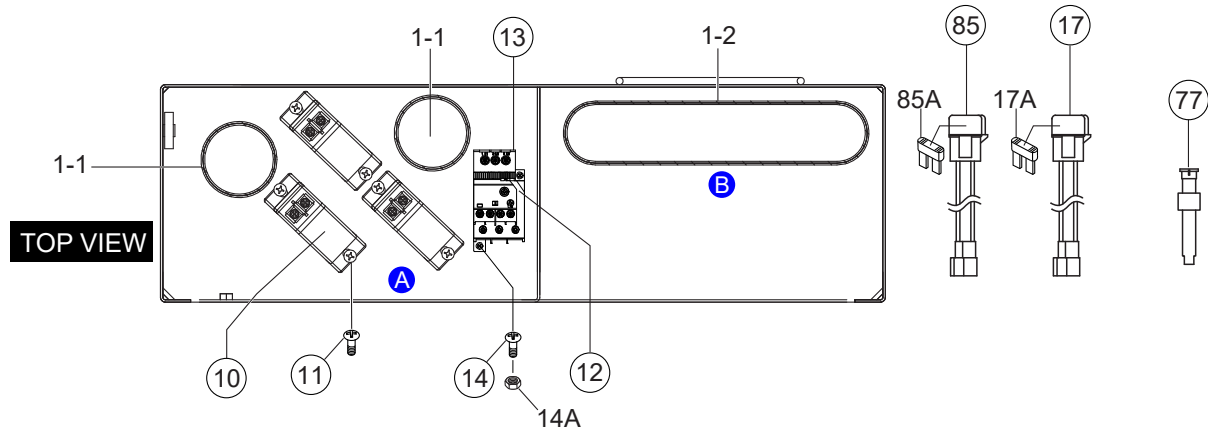
▲ INCLUDED WITH ITEM 70



CONTROL BOX 1 ASSY. (CONT'D.)

| <u>NO.</u> | <u>PART NO.</u> | <u>PART NAME</u> | <u>QTY.</u> | <u>REMARKS</u> |
|------------|-----------------|--|-------------|--------------------------|
| 70 | M1270100004 | SELECTOR SWITCH | 1 | |
| 70A | M1550002704 | DECAL: SELECTOR SWITCH NUMBER (A) | 1..... | M15000270 |
| 70B | M1550002804 | DECAL: SELECTOR SWITCH NUMBER (B) | 1..... | M15000280 |
| 80 | 0601812626 | PLUG | 1 | |
| 81 | 0601812712 | PINS (MALE) | 2 | |
| 82 | M9520000904 | DECAL: DIAGNOSTIC SWITCH..... | 1..... | M92000090 |
| 83 | M9520001104 | DECAL: DIAGNOSTIC BUTTON | 1..... | M92000110 |
| 84 | M9520002104 | DECAL: FUEL PUMP SWITCH | 1..... | M92000210 |
| 86 | M1247700614 | WIRE HARNESS, GENERATOR | 1 | |
| 87 | M1358201612 | WIRE HARNESS, ENGINE | 1 | |
| 88 | M1358200302 | WIRE HARNESS, CONTROLLER | 1 | |
| 89 | M1358202004 | WIRE HARNESS, PRESSURE SWITCH | 1 | |
| 90 | 8983346920 | WIRE HARNESS, PCV HEATER..... | 1..... | REPLACES P/N Y0602044310 |
| 91 | M1358203404 | WIRE HARNESS, FUEL LEAK/SENDER | 1 | |

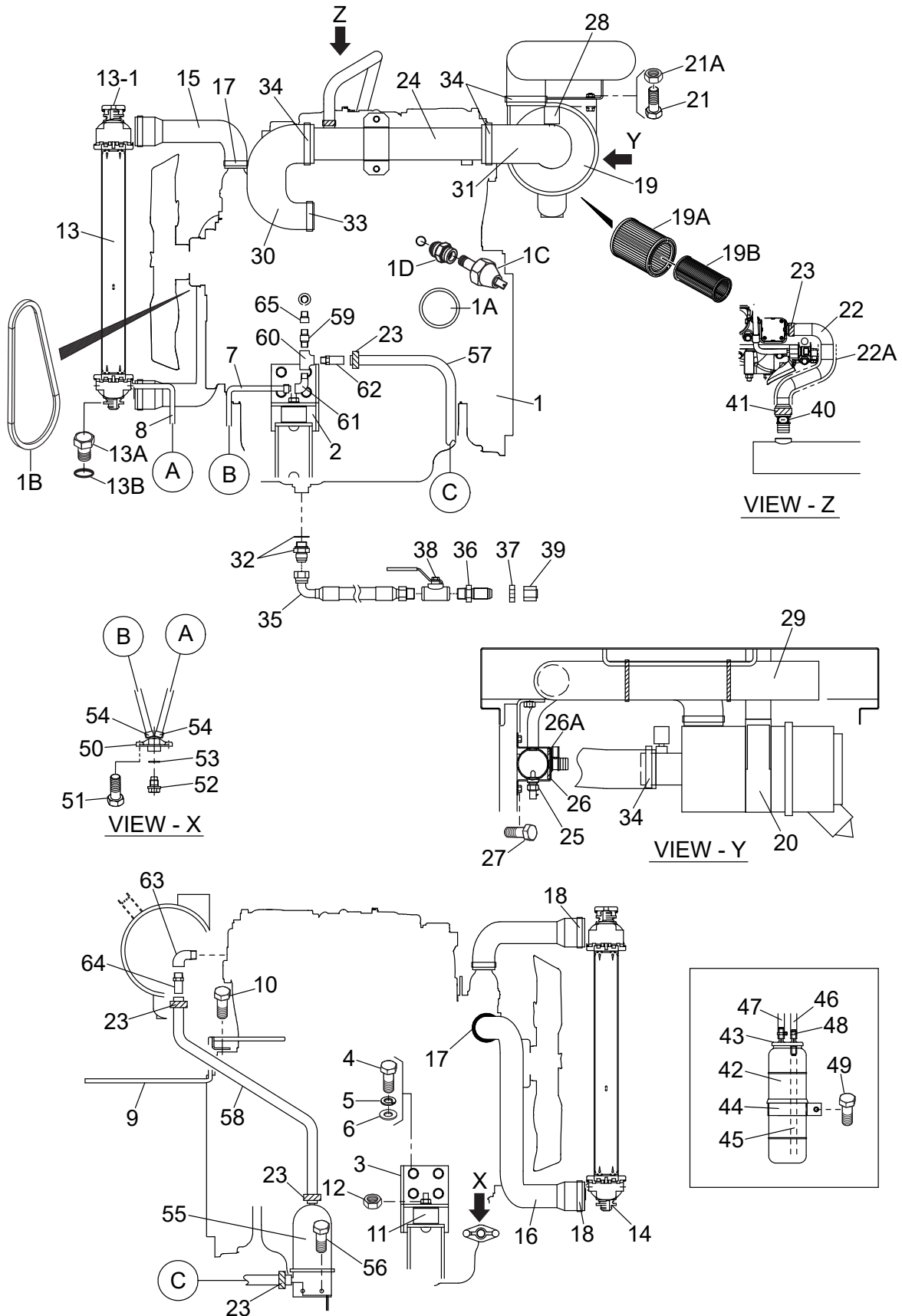
CONTROL BOX 2 ASSY.



CONTROL BOX 2 ASSY.

| <u>NO.</u> | <u>PART NO.</u> | <u>PART NAME</u> | <u>QTY.</u> | <u>REMARKS</u> |
|------------|-----------------|------------------------------|-------------|--------------------------|
| 1-1 | 0330000185 | EDGE TRIM | 2 | |
| 1-2 | Y0330000550 | EDGE TRIM | 1 | |
| 8 | 0601820608 | AUTOMATIC VOLTAGE REGULATOR | 1 | |
| 8A | Y0601806683 | FUSE, 250V 8A | 1 | |
| 9 | 0027105015 | MACHINE SCREW | 4 | |
| 10 | 0601801122 | CURRENT TRANSFORMER | 3 | |
| 11 | 011206020 | MACHINE SCREW | 6..... | REPLACES P/N 0027106020 |
| 12 | Y0601820839 | OVER CURRENT RELAY | 1 | |
| 13 | Y0601820844 | OVER CURRENT RELAY BASE, 25A | 1 | |
| 14 | 0027104020 | MACHINE SCREW | 2 | |
| 14A | OEMAA8 | SELF-LOCKING NUT | 2..... | REPLACES P/N 0207004000 |
| 17 | C3558201704 | HOLDER, FUSE | 1..... | REPLACES P/N M2357202104 |
| 17A | 0601806644 | FUSE, 30A | 1 | |
| 21 | 0601815153 | TERMINAL BLOCK | 1 | |
| 22 | 0027104020 | MACHINE SCREW | 2 | |
| 23 | 0601823240 | RECTIFIER | 3 | |
| 71 | 0027104030 | MACHINE SCREW | 1 | |
| 75 | 8944001061 | RELAY, STARTER..... | 1..... | REPLACES P/N 0602202502 |
| 76 | 0027105010 | MACHINE SCREW | 2 | |
| 77 | 0601806640 | FUSE, 65A | 1 | |
| 78 | 8970119490 | GLOW PLUG RELAY | 1..... | REPLACES P/N 0602202685 |
| 79 | 0027105010 | MACHINE SCREW | 2 | |
| 85 | C3358201704 | HOLDER, FUSE | 1..... | REPLACES P/N M2357202104 |
| 85A | 0601806645 | FUSE, 10A | 1 | |

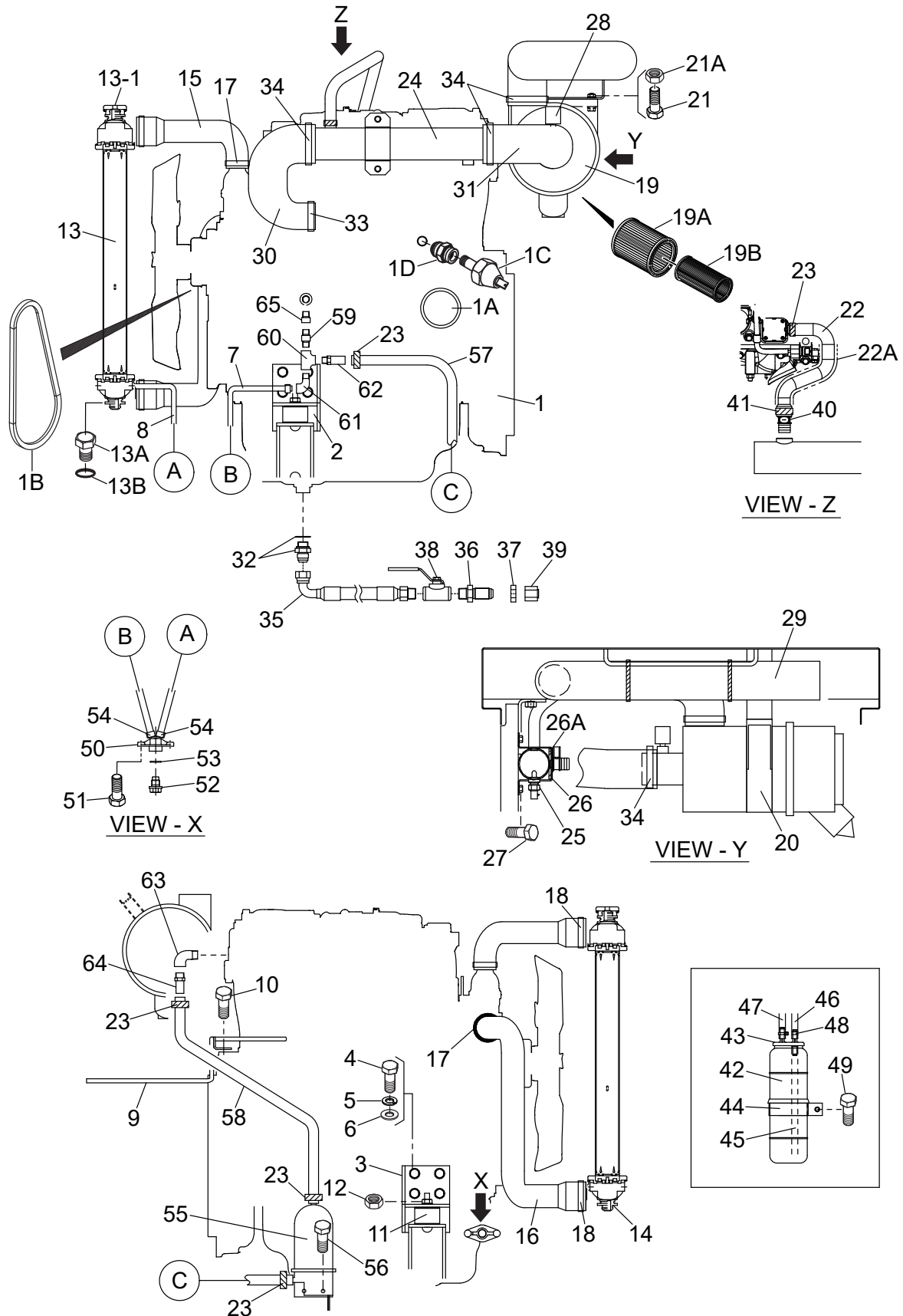
ENGINE AND RADIATOR ASSY.



ENGINE AND RADIATOR ASSY.

| NO. | PART NO. | PART NAME | QTY. | REMARKS |
|------------|-----------------|-----------------------------------|-------------|--------------------------|
| 1 | M1924200074 | ENGINE, ISUZU 4LE2T..... | 1..... | INCLUDES ITEMS W/# |
| 1A# | 2944566410 | ELEMENT, OIL FILTER..... | 1..... | REPLACES P/N 8944567412 |
| 1B | 8980490340 | FAN BELT | 1 | |
| 1C | 8983193760 | PRESSURE SWITCH..... | 1..... | REPLACES P/N Y0602210060 |
| 1D | 8983377180 | ADAPTER..... | 1..... | REPLACES P/N Y0602211629 |
| 2 | M1303200304 | ENGINE FOOT | 1 | |
| 3 | M1305200204 | ENGINE FOOT | 1 | |
| 4 | 0105091025 | HEX. HEAD BOLT..... | 8..... | REPLACES P/N 0010310025 |
| 5 | 0040010000 | WASHER, LOCK | 8 | |
| 6 | 031110160 | WASHER, FLAT..... | 8..... | REPLACES P/N 0041210000 |
| 7 | 0199900900 | DRAIN HOSE | 1 | |
| 8 | Y0199900680 | DRAIN HOSE | 1 | |
| 9 | M1358300403 | CLAMPER ROD | 1 | |
| 10 | 012210020 | HEX. HEAD BOLT..... | 2..... | REPLACES P/N 0017110020 |
| 11 | Y0605000408 | RUBBER SUSPENSION | 2 | |
| 12 | 021112140 | HEX. NUT..... | 2..... | REPLACES P/N 0207010000 |
| 13 | M1924200164 | RADIATOR..... | 1..... | INCLUDES ITEMS W/% |
| 13A | M9200100904 | PLUG | 1 | |
| 13B | 0150000016 | O-RING | 4 | |
| 13-1% | Y0602015700 | CAP | 1 | |
| 14 | M9312200104 | MOUNT RUBBER | 4 | |
| 15 | M1311500203 | RADIATOR HOSE | 1 | |
| 16 | M1311500303 | RADIATOR HOSE | 1 | |
| 17 | 0605515149 | HOSE BAND | 2 | |
| 18 | 0605515147 | HOSE BAND | 2 | |
| 19 | Y0602046590 | AIR CLEANER..... | 1..... | INCLUDES ITEMS W/\$ |
| 19A\$ | PMAF25436 | PRIMARY ELEMENT..... | 1..... | REPLACES P/N 0602046309 |
| 19B\$ | P822769 | SAFETY ELEMENT..... | 1..... | REPLACES P/N 0602046689 |
| 20 | Y0602040553 | AIR CLEANER BAND | 1 | |
| 21 | 011208030 | HEX. HEAD BOLT..... | 2..... | REPLACES P/N 0016908030 |
| 21A | 020108060 | SELF-LOCKING-NUT..... | 2..... | REPLACES P/N 0207008000 |
| 22 | M1327200004 | BLOW-BY HOSE | 1 | |
| 22A | Y0378400160 | FOAM INSULATION 6.3 FT. (160 MM) | 1 | |
| 23 | 0605515198 | HOSE BAND | 5 | |
| 24 | M1374000013 | AIR CLEANER PIPE | 1 | |
| 25 | 8121468300 | INLET AIR TEMPERATURE SENSOR..... | 1..... | REPLACES P/N 0603210240 |
| 26 | M1374200404 | BRACKET, AIR CLEANER PIPE | 1 | |
| 26A | Y0222100060 | RUBBER SEAL | 1 | |
| 27 | 011008020 | HEX. HEAD BOLT..... | 2..... | REPLACES P/N 0016908020 |
| 28 | 0602040651 | INDICATOR, AIR CLEANER | 1 | |
| 29 | M1374100203 | AIR CLEANER HOSE | 1 | |
| 30 | M1374100303 | AIR CLEANER HOSE | 1 | |
| 31 | M1374100403 | AIR CLEANER HOSE | 1 | |
| 32 | 0602022581 | ADAPTER 10M 24 X 2.0 | 1 | |
| 33 | 0605515147 | HOSE BAND | 1 | |
| 34 | 9500202080 | HOSE BAND..... | 4..... | REPLACES P/N 0605515178 |
| 35 | M1321100104 | DRAIN HOSE | 1 | |

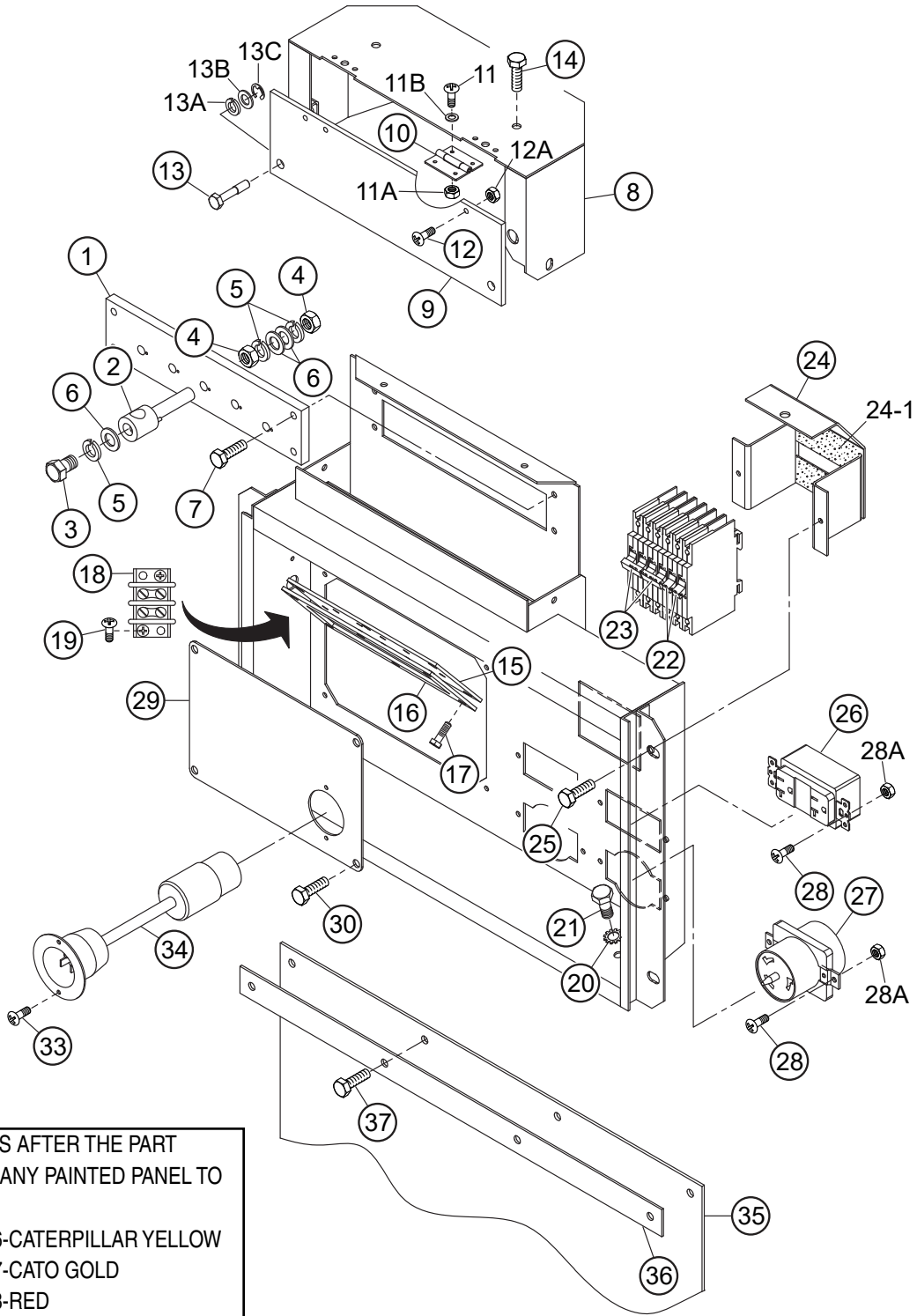
ENGINE AND RADIATOR ASSY. (CONT'D.)



ENGINE AND RADIATOR ASSY. (CONT'D.)

| <u>NO.</u> | <u>PART NO.</u> | <u>PART NAME</u> | <u>QTY.</u> | <u>REMARKS</u> |
|------------|-----------------|-------------------------|-------------|--------------------------|
| 36 | 0603306590 | CONNECTOR | 1 | |
| 37 | 0603300285 | LOCKNUT | 1 | |
| 38 | 0605511395 | VALVE | 1 | |
| 39 | 0602021070 | CAP | 1 | |
| 40 | 8981924670 | PCV HEATER | 1 | REPLACES P/N Y0602044300 |
| 41 | Y0605515321 | HOSE BAND | 1 | |
| 42 | 0802081403D | RESERVE TANK | 1 | REPLACES P/N M9300000003 |
| 43 | 0802081104 | CAP, RESERVE TANK | 1 | REPLACES P/N M9300100003 |
| 44 | M1317100004 | BRACKET, RESERVE TANK | 1 | |
| 45 | 0199100215 | HOSE | 1 | |
| 46 | Y0199900520 | OVER FLOW HOSE | 1 | |
| 47 | 0193601000 | OVER FLOW HOSE | 1 | |
| 48 | 0605515189 | HOSE BAND | 2 | |
| 49 | 011008020 | HEX. HEAD BOLT | 1 | REPLACES P/N 0016908020 |
| 50 | 1622014103 | DRAIN JOINT | 1 | REPLACES P/N M9602000003 |
| 51 | 011206020 | HEX. HEAD BOLT | 2 | REPLACES P/N 0016906020 |
| 52 | 0802011104 | DRAIN BOLT | 1 | REPLACES P/N M9200200004 |
| 53 | 0150000018 | O-RING | 1 | |
| 54 | 0605515189 | HOSE BAND | 4 | |
| 55 | Y0602014270 | WATER HEATER | 1 | |
| 56 | 011206020 | HEX. HEAD BOLT | 2 | REPLACES P/N 0019206020 |
| 57 | Y0269301000 | HOSE | 1 | |
| 58 | Y0269300570 | HOSE | 1 | |
| 59 | 0131502000 | NIPPLE | 1 | |
| 60 | Y0130402000 | TEE | 1 | |
| 61 | 0130202000 | STREET ELBOW | 1 | |
| 62 | Y0602022939 | HOSE JOINT | 1 | |
| 63 | 0130204000 | STREET ELBOW | 1 | |
| 64 | 0602022292 | HOSE JOINT | 1 | |
| 65 | Y0603307380 | BUSHING | 1 | |

OUTPUT TERMINAL ASSY.



ADD THE FOLLOWING DIGITS AFTER THE PART NUMBER WHEN ORDERING ANY PAINTED PANEL TO INDICATE COLOR OF UNIT:

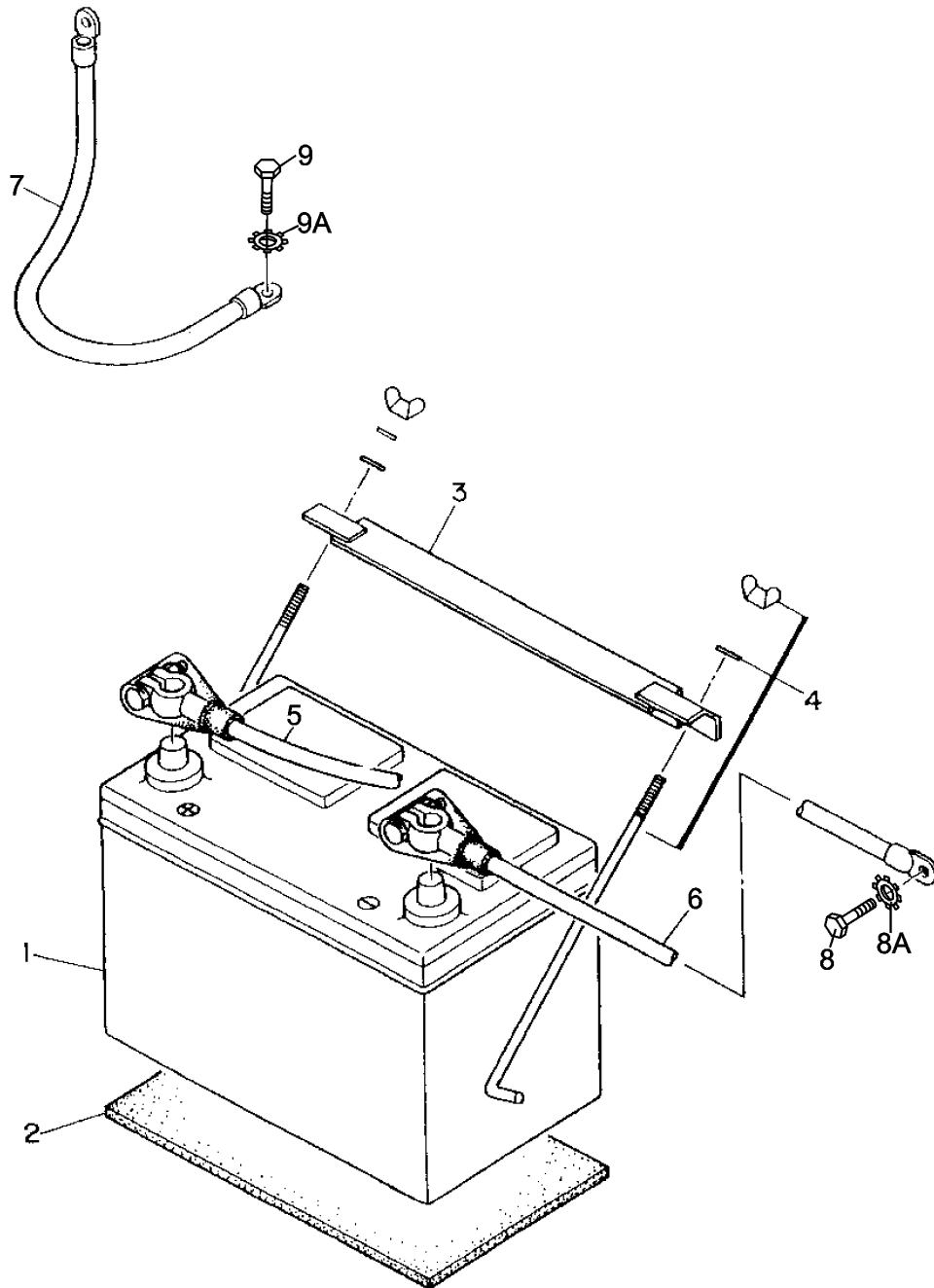
| | |
|-----------------|----------------------|
| 1-ORANGE | 6-CATERPILLAR YELLOW |
| 2-WHITE | 7-CATO GOLD |
| 3-SPECTRUM GREY | 8-RED |
| 4-SUNBELT GREEN | 9-DESERT TAN |
| 5-BLACK | |

THE SERIAL NUMBER MAY BE REQUIRED.

OUTPUT TERMINAL ASSY.

| <u>NO.</u> | <u>PART NO.</u> | <u>PART NAME</u> | <u>QTY.</u> | <u>REMARKS</u> |
|------------|-----------------|-------------------------------|-------------|--------------------------|
| 1 | 8091860103 | TERMINAL PANEL | 1..... | REPLACES P/N M1230700003 |
| 2 | 0801830104A | OUTPUT TERMINAL BOLT | 5..... | REPLACES P/N M9220000004 |
| 3 | 0801832204 | TIE BOLT | 5..... | REPLACES P/N M9220000104 |
| 4 | 0039308000 | HEX. NUT | 10 | |
| 5 | 0040008000 | WASHER, LOCK | 15 | |
| 6 | 0041408000 | WASHER, FLAT | 20 | |
| 7 | Y0016906020 | HEX. HEAD BOLT | 4 | |
| 8 | M1237101103 | 3-PHASE OUTPUT TERMINAL COVER | 1 | |
| 9 | M1236100404 | OUTPUT WINDOW | 1 | |
| 10 | 0605010040 | HINGE | 2 | |
| 11 | 0027103010 | MACHINE SCREW | 4 | |
| 11A | 0207003000 | HEX. NUT | 4..... | REPLACES P/N 0030003000 |
| 11B | 0041203000 | WASHER, FLAT | 4 | |
| 12 | 0027103010 | MACHINE SCREW | 4 | |
| 12A | 0207003000 | HEX. NUT | 4..... | REPLACES P/N 0030003000 |
| 13 | M9220100804 | SET SCREW | 2 | |
| 13A | 0040006000 | WASHER, LOCK | 2 | |
| 13B | 952404470 | WASHER, FLAT | 2..... | REPLACES P/N 0041206000 |
| 13C | 0080200005 | E-SNAP RING | 2 | |
| 14 | 0016906015 | HEX. HEAD BOLT | 4 | |
| 15 | M1236400004 | CABLE OUTLET COVER | 1 | |
| 16 | M1236300004 | SUPPORTER, CABLE OUTLET COVER | 1 | |
| 17 | Y0016906020 | HEX. HEAD BOLT | 6 | |
| 18 | 0601815194 | TERMINAL BLOCK | 1 | |
| 19 | 0027104015 | MACHINE SCREW | 2 | |
| 20 | 0040508000 | TOOTHED WASHER | 1 | |
| 21 | 0019208020 | HEX. HEAD BOLT | 1 | |
| 22 | 0601870440 | CIRCUIT BREAKER 1P 20A | 2 | |
| 23 | 0601870441 | CIRCUIT BREAKER 2P 50A | 2 | |
| 24 | M1260700404 | BREAKER FITTING COVER | 1 | |
| 24-1 | 0222100080 | CUSHION RUBBER | 2 | |
| 25 | Y0016906020 | HEX. HEAD BOLT | 2 | |
| 26 | Y0601814034 | RECEPTACLE 125V 20A X 2 | 2 | |
| 27 | 0601814014 | RECEPTACLE 250V 50A | 2 | |
| 28 | 0027104015 | MACHINE SCREW | 8 | |
| 28A | OEMAA8 | HEX. NUT | 8..... | REPLACES P/N 0207004000 |
| 29 | M1454700304 | COVER | 1 | |
| 30 | 0016906015 | HEX. HEAD BOLT | 4 | |
| 31 | 0601812527 | CONNECTOR..... | 1..... | S/N 9800011 AND BELOW |
| 32 | Y0601811177 | RECEPTACLE | 1..... | S/N 9800011 AND BELOW |
| 33 | 0027104015 | MACHINE SCREW | 2 | |
| 34 | Y0329101000 | HARNESS, WATER HEATER | 1..... | S/N 9800011 AND BELOW |
| 34A | Y0601813078 | WATER HEATER CABLE..... | 1..... | S/N 9800012 AND ABOVE |
| 35 | M1454700914 | RUBBER SHEET | 1 | |
| 36 | M1454701014 | RUBBER SHEET HOLDER | 1 | |
| 37 | 011206020 | HEX. HEAD BOLT..... | 4..... | REPLACES P/N 0019206020 |

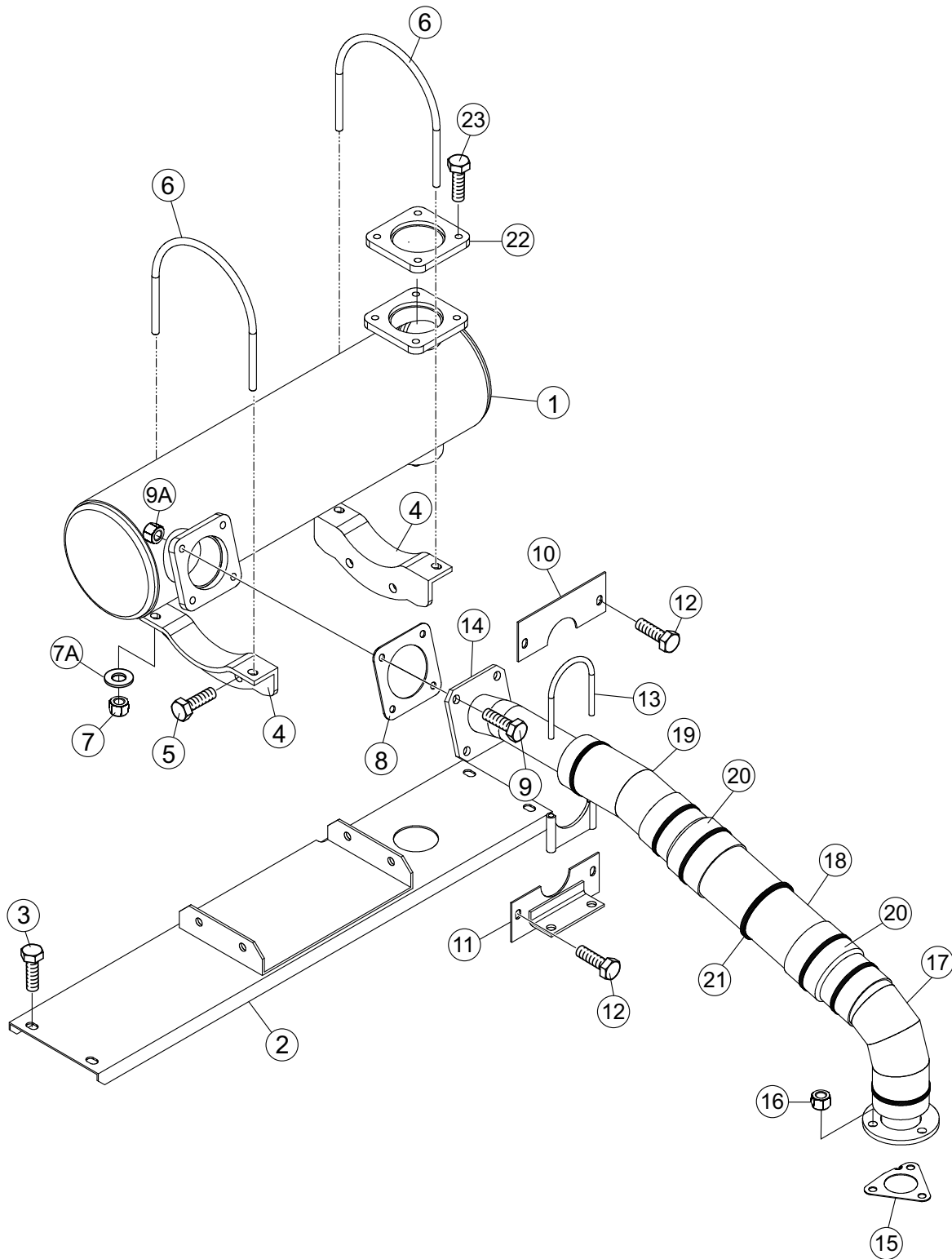
BATTERY ASSY.



BATTERY ASSY.

| <u>NO.</u> | <u>PART NO.</u> | <u>PART NAME</u> | <u>QTY.</u> | <u>REMARKS</u> |
|------------|-----------------|---------------------------|-------------|--------------------------|
| 1 | 0602220185 | BATTERY | 1 | |
| 2 | M9310500014 | BATTERY SHEET | 1 | |
| 3 | M91030003044 | BATTERY BAND | 1..... | REPLACES P/N M9103000304 |
| 4 | 0602220920 | BATTERY BOLT SET 1/4-L10" | 2 | |
| 5 | M1346400004 | BATTERY CABLE | 1 | |
| 6 | M2346900304 | BATTERY CABLE | 1 | |
| 7 | | CABLE | 1..... | MAKE LOCALLY |
| 8 | 0017110025 | HEX. HEAD BOLT | 1 | |
| 8A | 0040510000 | TOOTHED WASHER | 1 | |
| 9 | 0019208025 | HEX. HEAD BOLT | 1 | |
| 9A | 0040508000 | TOOTHED WASHER | 1 | |

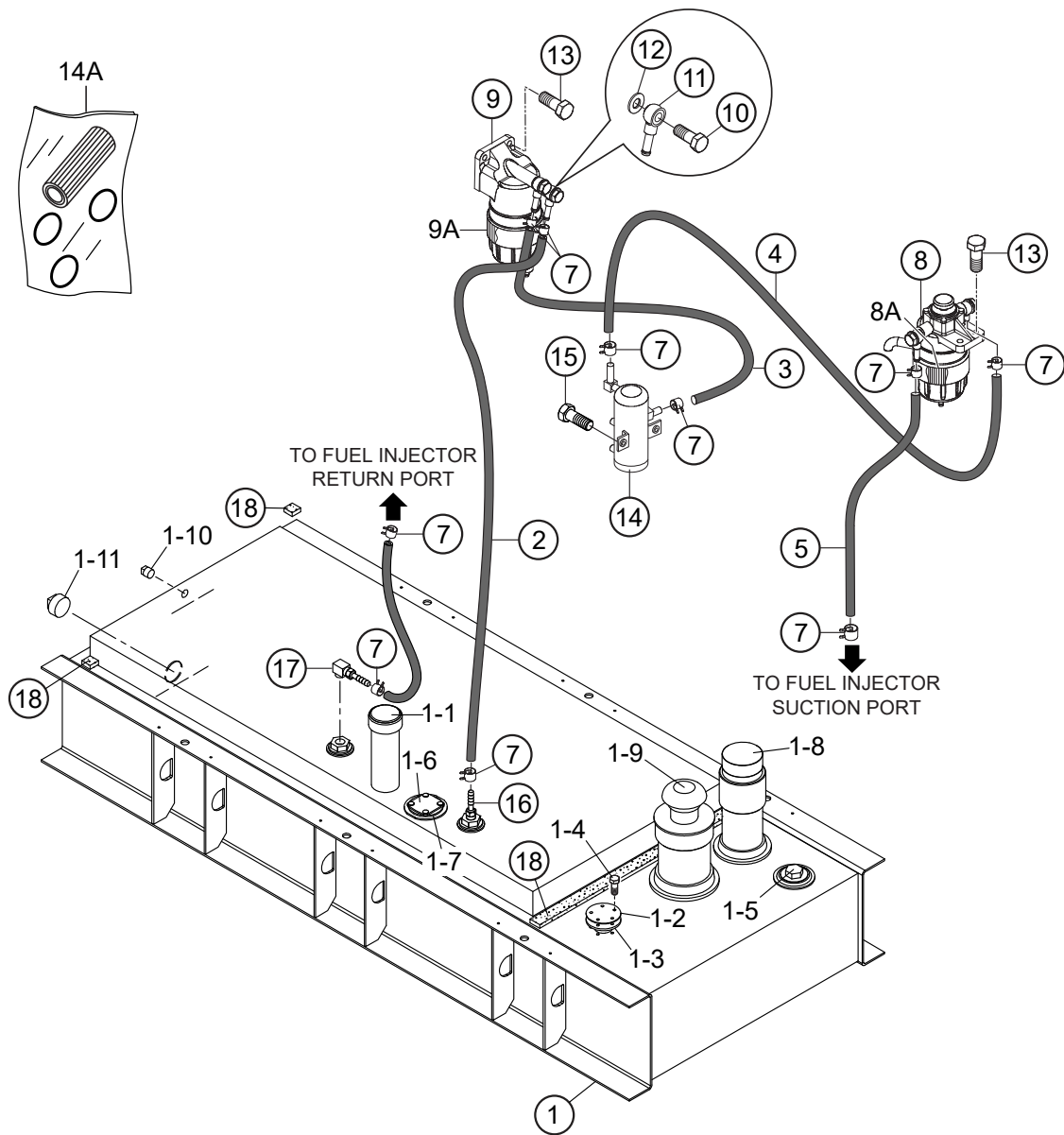
MUFFLER ASSY.



MUFFLER ASSY.

| <u>NO.</u> | <u>PART NO.</u> | <u>PART NAME</u> | <u>QTY.</u> | <u>REMARKS</u> |
|------------|-----------------|-------------------------|-------------|--------------------------|
| 1 | 8982353890 | DOC | 1..... | REPLACES P/N Y0602330111 |
| 2 | M1331400103 | DOC BRACKET | 1 | |
| 3 | 011008020 | HEX. HEAD BOLT | 4..... | REPLACES P/N 0016908020 |
| 4 | 8982284330 | DOC SUPPORT | 2..... | REPLACES P/N Y0602330210 |
| 5 | 0016910025 | HEX. HEAD BOLT | 4 | |
| 6 | 8982103230 | U-BOLT | 2..... | REPLACES P/N Y0602322091 |
| 7 | 020108060 | SELF-LOCKING NUT | 4..... | REPLACES P/N 0037908000 |
| 7A | 0401450080 | WASHER, FLAT | 4..... | REPLACES P/N 0041208000 |
| 8 | 8973731080 | GASKET | 1..... | REPLACES P/N Y0602320212 |
| 9 | 8980435280 | HEX. HEAD BOLT | 4..... | REPLACES P/N Y0602322090 |
| 9A | 8971616070 | HEX. NUT | 4..... | REPLACES P/N Y0602323007 |
| 10 | M1331400204 | COVER, EXHAUST PIPE | 1 | |
| 11 | M1331400304 | BRACKET, EXHAUST PIPE | 1 | |
| 12 | 011106015 | HEX. HEAD BOLT | 4..... | REPLACES P/N 0016906015 |
| 13 | Y0602326066 | U-BOLT | 1 | |
| 14 | M1334000703 | EXHAUST PIPE | 1 | |
| 15 | 8973679180 | GASKET | 1..... | REPLACES P/N Y0602320211 |
| 16 | 0207108000 | SELF-LOCKING NUT | 3 | |
| 17 | M1331400504 | EXHAUST HEAT SHIELD (A) | 1 | |
| 18 | M1331400904 | EXHAUST HEAT SHIELD (B) | 1 | |
| 19 | M1331401004 | EXHAUST HEAT SHIELD (C) | 1 | |
| 20 | Y0272100270 | HEAT SHIELD TAPE | 2 | |
| 21 | Y0602325051 | METAL CABLE TIE | 7 | |
| 22 | M1334300504 | FLANGE | 1 | |
| 23 | 011008020 | HEX. HEAD BOLT | 4..... | REPLACES P/N 0016908020 |

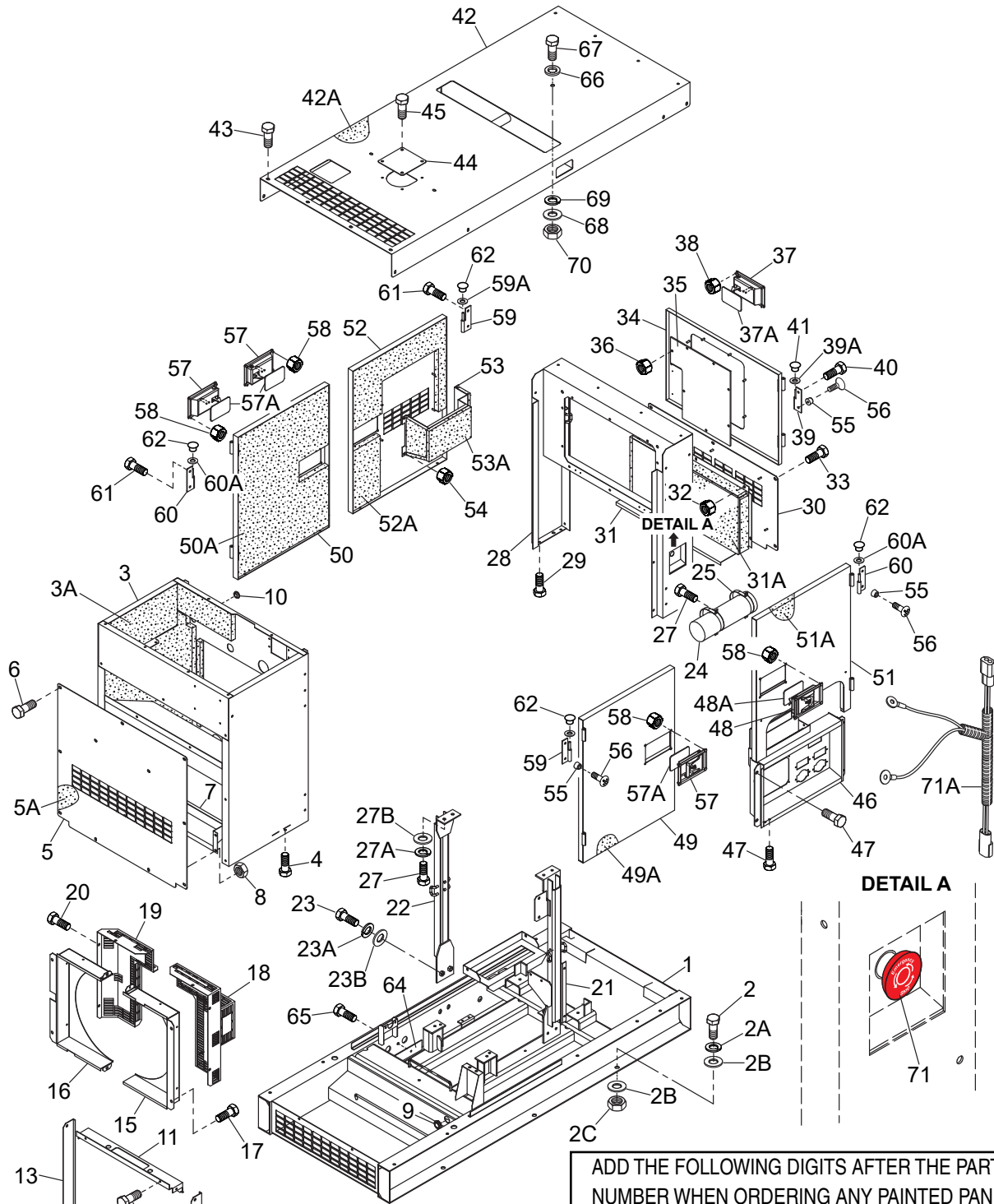
FUEL TANK ASSY.



FUEL TANK ASSY.

| <u>NO.</u> | <u>PART NO.</u> | <u>PART NAME</u> | <u>QTY.</u> | <u>REMARKS</u> |
|------------|-----------------|-----------------------------|-------------|--------------------------|
| 1 | Y0605500060 | FUEL TANK..... | 1..... | INCLUDES ITEMS W/# |
| 1-1# | Y0605505050 | CAP, FUEL TANK | 1 | |
| 1-2# | Y0605501045 | FUEL SENDER UNIT | 1 | |
| 1-3# | Y0605516092 | GASKET | 1 | |
| 1-4# | Y0605553040 | HEX. HEAD BOLT | 5 | |
| 1-5# | Y0605503220 | FUEL LEAK DETECTED SW. | 1 | |
| 1-6# | Y0605503230 | VISUAL LEVEL GAUGE | 1 | |
| 1-7# | Y0605516092 | GASKET | 1 | |
| 1-8# | Y0605519000 | E-VENT | 1 | |
| 1-9# | Y0605519010 | NORMAL VENT | 1 | |
| 1-10# | Y0605512610 | DRAIN PLUG | 1 | |
| 1-11# | Y0605512611 | DRAIN PLUG | 1 | |
| 2 | Y0191300940 | SUCTION HOSE | 1 | |
| 3 | Y0191300850 | SUCTION HOSE | 1 | |
| 4 | Y0191301150 | SUCTION HOSE | 1 | |
| 5 | Y0191300900 | SUCTION HOSE | 1 | |
| 6 | Y0191300870 | RETURN HOSE | 1 | |
| 7 | Y0605515361 | HOSE BAND | 10 | |
| 8 | 8982369900 | FUEL FILTER (MAIN) | 1..... | REPLACES P/N 0602042428 |
| 8A | 8982402790 | ELEMENT, FUEL FILTER (MAIN) | 1 | |
| 9 | 8982369910 | FUEL FILTER (PRE)..... | 1..... | REPLACES P/N 0602042429 |
| 9A | 8982402800 | ELEMENT, FUEL FILTER (PRE) | 1 | |
| 10 | 8981263320 | PIPE JOINT | 4..... | REPLACES P/N Y0602042623 |
| 11 | 1096751930 | EYE BOLT | 4 | |
| 12 | 1096300850 | GASKET | 8..... | REPLACES P/N Y0602021700 |
| 13 | 012210035 | HEX. HEAD BOLT | 4..... | REPLACES P/N 0017110035 |
| 14 | 8980682751 | FUEL FEED, PUMP | 1..... | REPLACES P/N 0602023240 |
| 14A | 8981731650 | KIT, FUEL PUMP | 1 | |
| 15 | 011606025 | HEX. HEAD BOLT | 1..... | REPLACES P/N 0016906025 |
| 16 | Y0602022988 | HOSE JOINT | 1 | |
| 17 | 0602022791 | HOSE JOINT | 1 | |
| 18 | M1494600104 | ACOUSTIC SHEET | 1 | |

ENCLOSURE ASSY.



ADD THE FOLLOWING DIGITS AFTER THE PART NUMBER WHEN ORDERING ANY PAINTED PANEL TO INDICATE COLOR OF UNIT:

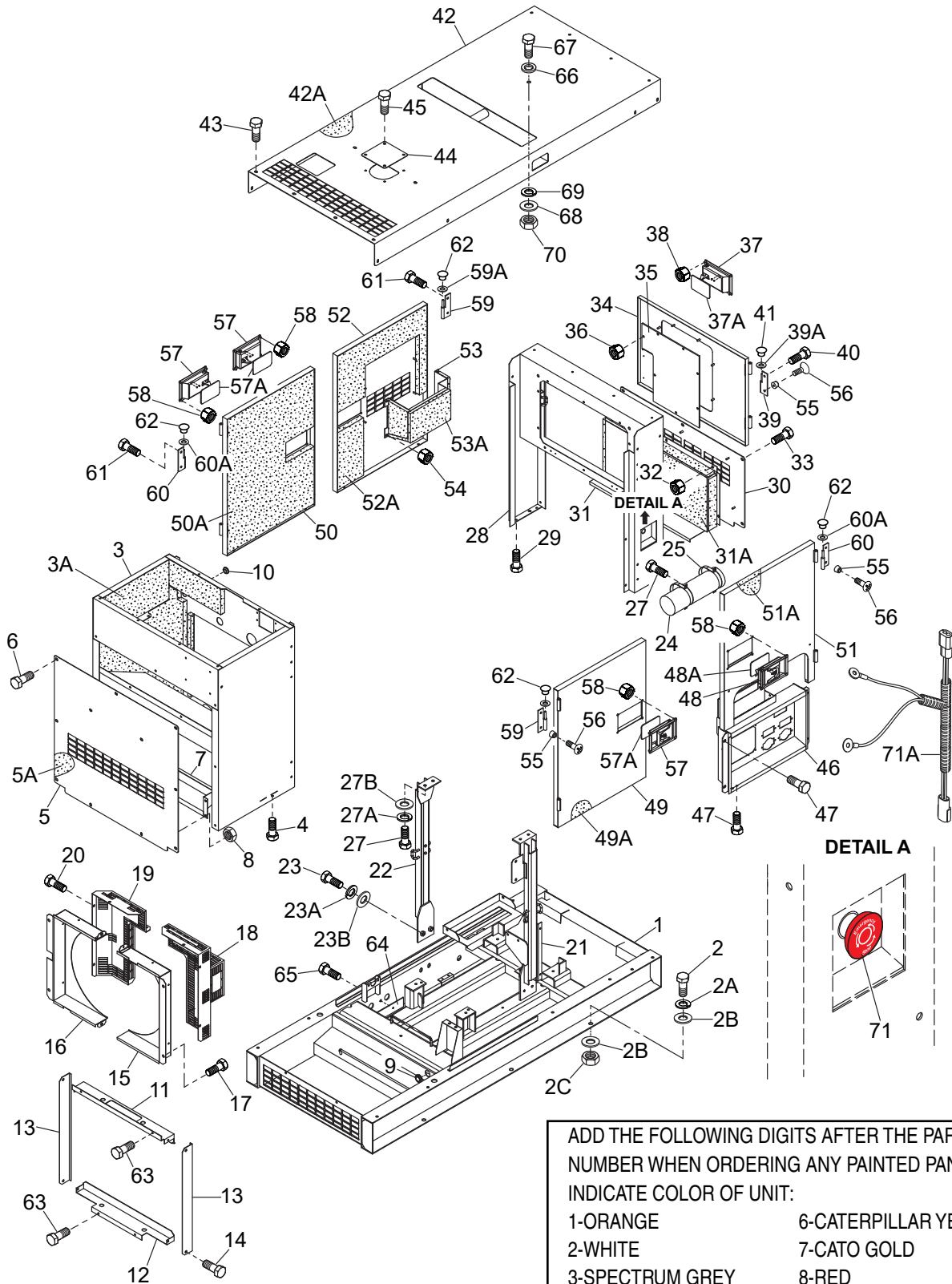
| | |
|-----------------|----------------------|
| 1-ORANGE | 6-CATERPILLAR YELLOW |
| 2-WHITE | 7-CATO GOLD |
| 3-SPECTRUM GREY | 8-RED |
| 4-SUNBELT GREEN | 9-DESERT TAN |
| 5-BLACK | |

THE SERIAL NUMBER MAY BE REQUIRED.

ENCLOSURE ASSY.

| <u>NO.</u> | <u>PART NO.</u> | <u>PART NAME</u> | <u>QTY.</u> | <u>REMARKS</u> |
|------------|-----------------|------------------------|-------------|-------------------------|
| 1 | M1414001402 | BASE | 1 | |
| 2 | 0013616040 | HEX. HEAD BOLT | 6 | |
| 2A | 0040016000 | WASHER, LOCK | 6 | |
| 2B | 0041216000 | WASHER, FLAT | 6 | |
| 2C | 0030016000 | HEX. NUT | 12 | |
| 3 | M1424001402 | FRONT FRAME | 1 | |
| 3A | M1494101703 | ACOUSTIC SHEET | 1 | |
| 4 | 011008020 | HEX. HEAD BOLT | 4 | REPLACES P/N 0016908020 |
| 5 | M1424201503 | COVER, FRONT FRAME | 1 | |
| 5A | M1494107204 | ACOUSTIC SHEET | 1 | |
| 6 | 0019208020 | HEX. HEAD BOLT | 11 | |
| 7 | M1424201604 | DUCT | 1 | |
| 8 | Y0207006000 | HEX. NUT | 5 | |
| 9 | 0601851727 | GROMMET | 1 | |
| 10 | 0601850239 | GROMMET | 1 | |
| 11 | M1311200004 | RADIATOR BRACKET | 1 | |
| 12 | M1311200104 | RADIATOR BRACKET | 1 | |
| 13 | M1311200204 | RADIATOR BRACKET | 2 | |
| 14 | 011008020 | HEX. HEAD BOLT | 6 | REPLACES P/N 0016908020 |
| 15 | M1311600203 | FAN SHROUD | 1 | |
| 16 | M1311600303 | FAN SHROUD | 1 | |
| 17 | 011008020 | HEX. HEAD BOLT | 6 | REPLACES P/N 0016908020 |
| 18 | M1311300103 | FAN GUARD | 1 | |
| 19 | M1311300203 | FAN GUARD | 1 | |
| 20 | 011008020 | HEX. HEAD BOLT | 6 | REPLACES P/N 0016908020 |
| 21 | M1434000603 | CENTER FRAME | 1 | |
| 22 | M1434000103 | CENTER FRAME | 1 | |
| 23 | 0012312030 | HEX. HEAD BOLT | 4 | REPLACES P/N 0013612030 |
| 23A | 0040012000 | WASHER, LOCK | 4 | |
| 23B | 031112230 | WASHER, FLAT | 4 | REPLACES P/N 0041212000 |
| 24 | 0600800321 | MANUAL PACK | 1 | |
| 25 | M1483600804 | CLAMP, MAUAL PACK | 2 | |
| 26 | 0016906015 | HEX. HEAD BOLT | 4 | |
| 27 | 0012312030 | HEX. HEAD BOLT | 4 | REPLACES P/N 0013612030 |
| 27A | 0040012000 | WASHER, LOCK | 4 | |
| 27B | 031112230 | WASHER, FLAT | 4 | REPLACES P/N 0041212000 |
| 28 | M1444000602 | REAR FRAME | 1 | |
| 29 | 011008020 | HEX. HEAD BOLT | 4 | REPLACES P/N 0016908020 |
| 30 | M1444300103 | REAR COVER | 1 | |
| 31 | M1444800303 | DUCT, REAR COVER | 1 | |
| 31A | M1494301103 | ACOUSTIC SHEET | 1 | |
| 32 | 0176060030 | SELF-LOCKING NUT | 5 | REPLACES P/N 0207006000 |
| 33 | 0019208020 | HEX. HEAD BOLT | 7 | |
| 34 | M1444200103 | REAR DOOR | 1 | |
| 35 | M1444600104 | WINDOW PLATE | 1 | |
| 36 | 020106050 | LOCK NUT | 7 | REPLACES P/N 0037906000 |
| 36A | 952404470 | WASHER, FLAT | 7 | REPLACES P/N 0041206000 |
| 37 | Y0605012318 | DOOR HANDLE ASSY. | 1 | |
| 37A | C9312500004 | SEAL RUBBER | 1 | |

ENCLOSURE ASSY. (CONT'D.)



ADD THE FOLLOWING DIGITS AFTER THE PART NUMBER WHEN ORDERING ANY PAINTED PANEL TO INDICATE COLOR OF UNIT:

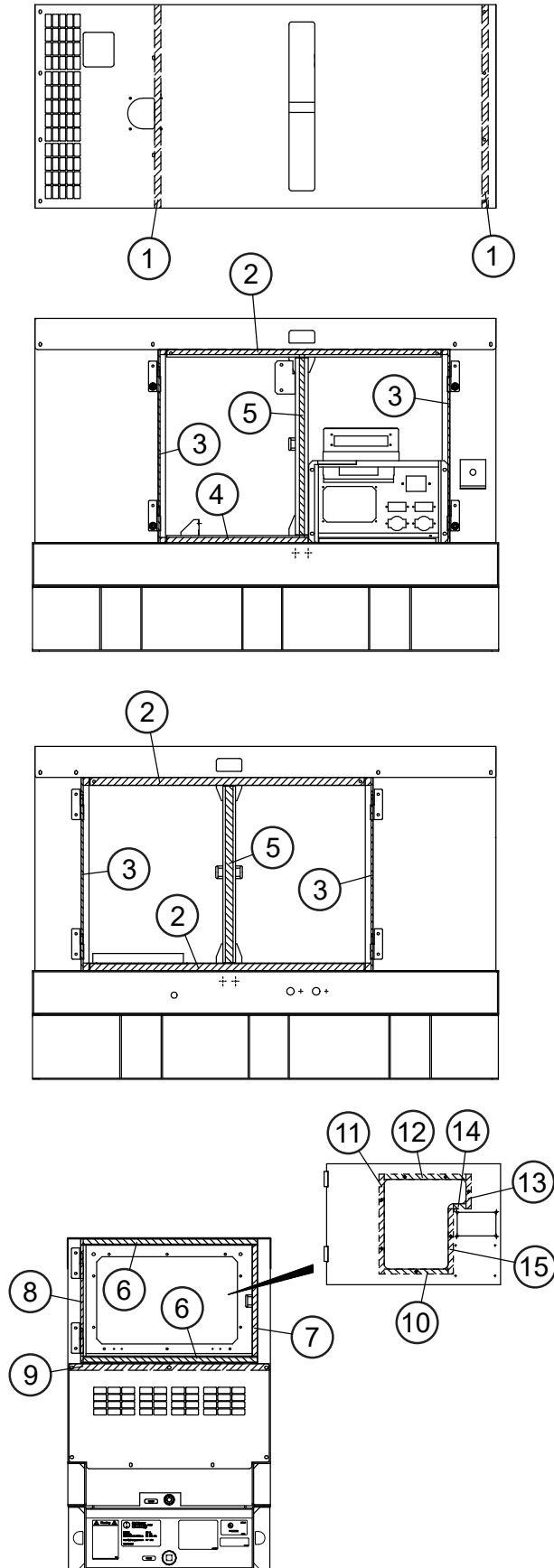
| | |
|-----------------|----------------------|
| 1-ORANGE | 6-CATERPILLAR YELLOW |
| 2-WHITE | 7-CATO GOLD |
| 3-SPECTRUM GREY | 8-RED |
| 4-SUNBELT GREEN | 9-DESERT TAN |
| 5-BLACK | |

THE SERIAL NUMBER MAY BE REQUIRED.

ENCLOSURE ASSY. (CONT'D.)

| <u>NO.</u> | <u>PART NO.</u> | <u>PART NAME</u> | <u>QTY.</u> | <u>REMARKS</u> |
|------------|-----------------|------------------------------|-------------|--------------------------|
| 38 | 0176060030 | SELF-LOCKING NUT | 4..... | REPLACES P/N 0207006000 |
| 39 | M9110100204 | HINGE, MALE (L) | 2 | |
| 39A | M9116100004 | WASHER | 2 | |
| 40 | 0019208020 | HEX. HEAD BOLT | 3 | |
| 41 | 0845031504 | BLIND PLUG..... | 2..... | REPLACES P/N M9310000004 |
| 42 | M1464000102 | ROOF PANEL | 1 | |
| 42A | M1494500703 | ACOUSTIC SHEET | 1 | |
| 43 | 0019208020 | HEX. HEAD BOLT | 18 | |
| 44 | M3310600004 | COVER | 1 | |
| 45 | 0019208020 | HEX. HEAD BOLT | 4 | |
| 46 | M1454201402 | SPLASHER PANEL | 1 | |
| 47 | 011008020 | HEX. HEAD BOLT..... | 6..... | REPLACES P/N 0016908020 |
| 48 | Y0605012318 | DOOR HANDLE ASSY. | 1 | |
| 48A | C9312500004 | SEAL, RUBBER | 1 | |
| 49 | M1454002703 | SIDE DOOR | 1 | |
| 49A | M1494400604 | ACOUSTIC SHEET | 1 | |
| 50 | M1454000703 | SIDE DOOR | 1 | |
| 50A | M1494400704 | ACOUSTIC SHEET | 1 | |
| 51 | M1454002603 | SIDE DOOR | 1 | |
| 51A | M1494409404 | ACOUSTIC SHEET | 1 | |
| 52 | M1454000903 | SIDE DOOR | 1 | |
| 52A | M1494400904 | ACOUSTIC SHEET | 1 | |
| 53 | M1454300204 | DUCT | 1 | |
| 53A | M1494401204 | ACOUSTIC SHEET | 1 | |
| 54 | 0176060030 | SELF-LOCKING NUT | 5..... | REPLACES P/N 0207006000 |
| 55 | Y0601850097 | STOPPER, DOOR | 9 | |
| 56 | 0027208025 | MACHINE SCREW | 9 | |
| 57 | Y0605012318 | DOOR HANDLE ASSY. | 3 | |
| 57A | C9312500004 | SEAL, RUBBER | 3 | |
| 58 | 0176060030 | SELF-LOCKING NUT | 12..... | REPLACES P/N 0207006000 |
| 59 | M9110100204 | HINGE, MALE (L) | 4 | |
| 59A | M9116100004 | WASHER | 4 | |
| 60 | M9110100304 | HINGE, MALE (R) | 4 | |
| 60A | M9116100004 | WASHER | 4 | |
| 61 | 0019208020 | HEX. HEAD BOLT | 8 | |
| 62 | 0845031504 | BLIND PLUG..... | 8..... | REPLACES P/N M9310000004 |
| 63 | 011008020 | HEX. HEAD BOLT..... | 4..... | REPLACES P/N 0016908020 |
| 64 | M2414800304 | COVER, BASE | 1 | |
| 65 | 011008020 | HEX. HEAD BOLT..... | 4..... | REPLACES P/N 0016908020 |
| 66 | 0605050040 | SEALING WASHER | 1 | |
| 67 | 0019112030 | HEX. HEAD BOLT | 1 | |
| 67 | 0019112030 | HEX. HEAD BOLT | 1 | |
| 68 | 0042412000 | WASHER, FLAT | 1 | |
| 69 | 0042312000 | WASHER, LOCK | 1 | |
| 70 | 0030012000 | HEX. HEAD NUT | 1 | |
| 71 | Y0601831953 | EMERGENCY STOP BUTTON | 1 | |
| 71A | M1358203004 | WIRE HARNESS, EMERGENCY STOP | 1 | |

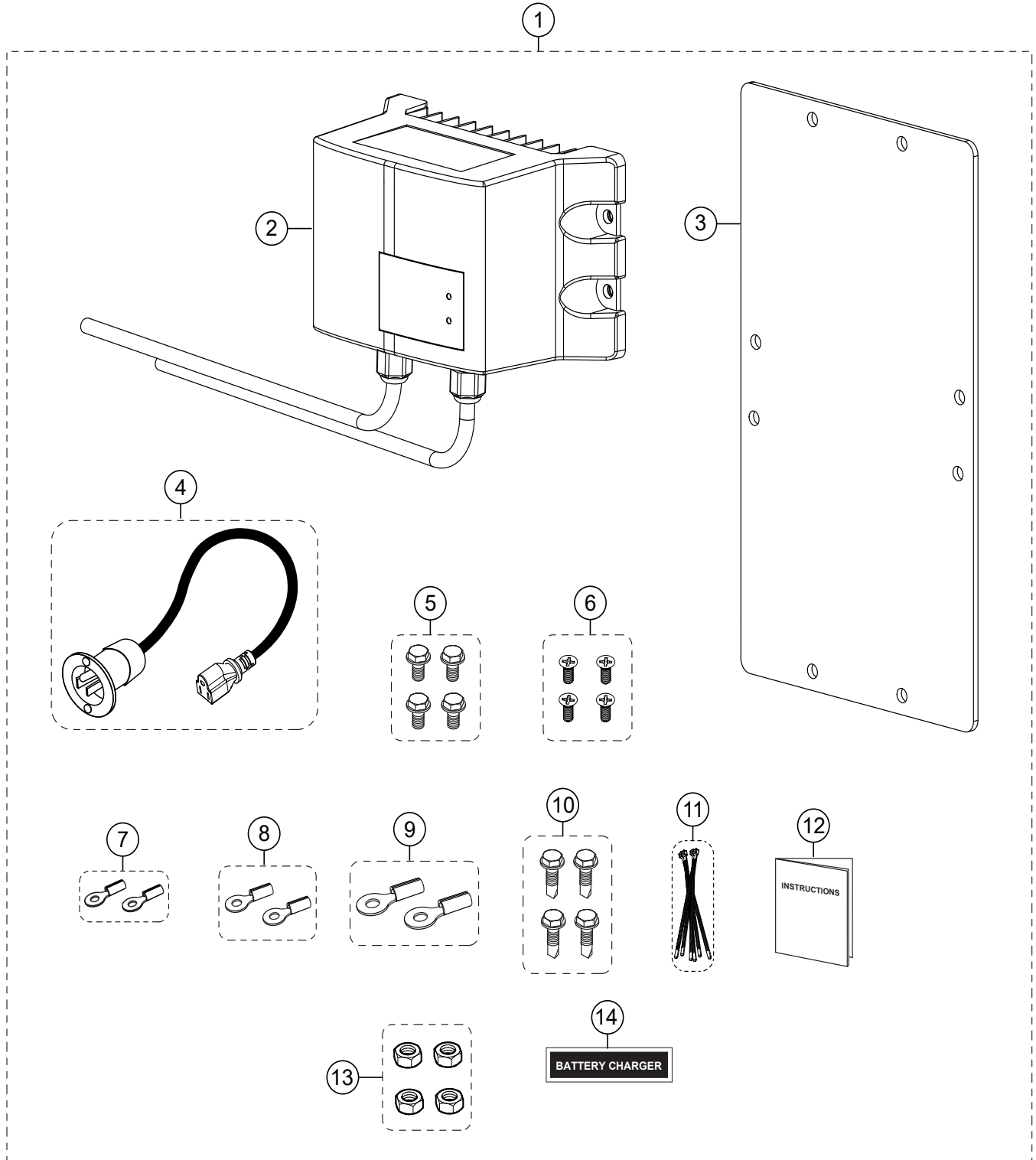
RUBBER SEALS ASSY.



RUBBER SEALS ASSY.

| <u>NO.</u> | <u>PART NO.</u> | <u>PART NAME</u> | <u>QTY.</u> | <u>REMARKS</u> |
|-------------------|------------------------|-------------------------|--------------------|-----------------------|
| 1 | Y0229200790 | RUBBER SEAL | 2 | |
| 2 | Y0417001125 | RUBBER SEAL | 3 | |
| 3 | Y0417000755 | RUBBER SEAL | 4 | |
| 4 | Y0417000580 | RUBBER SEAL | 1 | |
| 5 | Y0417000715 | RUBBER SEAL | 2 | |
| 6 | Y0417000680 | RUBBER SEAL | 2 | |
| 7 | Y0417000440 | RUBBER SEAL | 1 | |
| 8 | Y0417000480 | RUBBER SEAL | 1 | |
| 9 | Y0229200780 | RUBBER SEAL | 1 | |
| 10 | Y0228100250 | RUBBER SEAL | 1 | |
| 11 | 0228100390 | RUBBER SEAL | 1 | |
| 12 | 0228100320 | RUBBER SEAL | 1 | |
| 13 | Y0228100135 | RUBBER SEAL | 1 | |
| 14 | Y0228100050 | RUBBER SEAL | 1 | |
| 15 | Y0228100255 | RUBBER SEAL | 1 | |

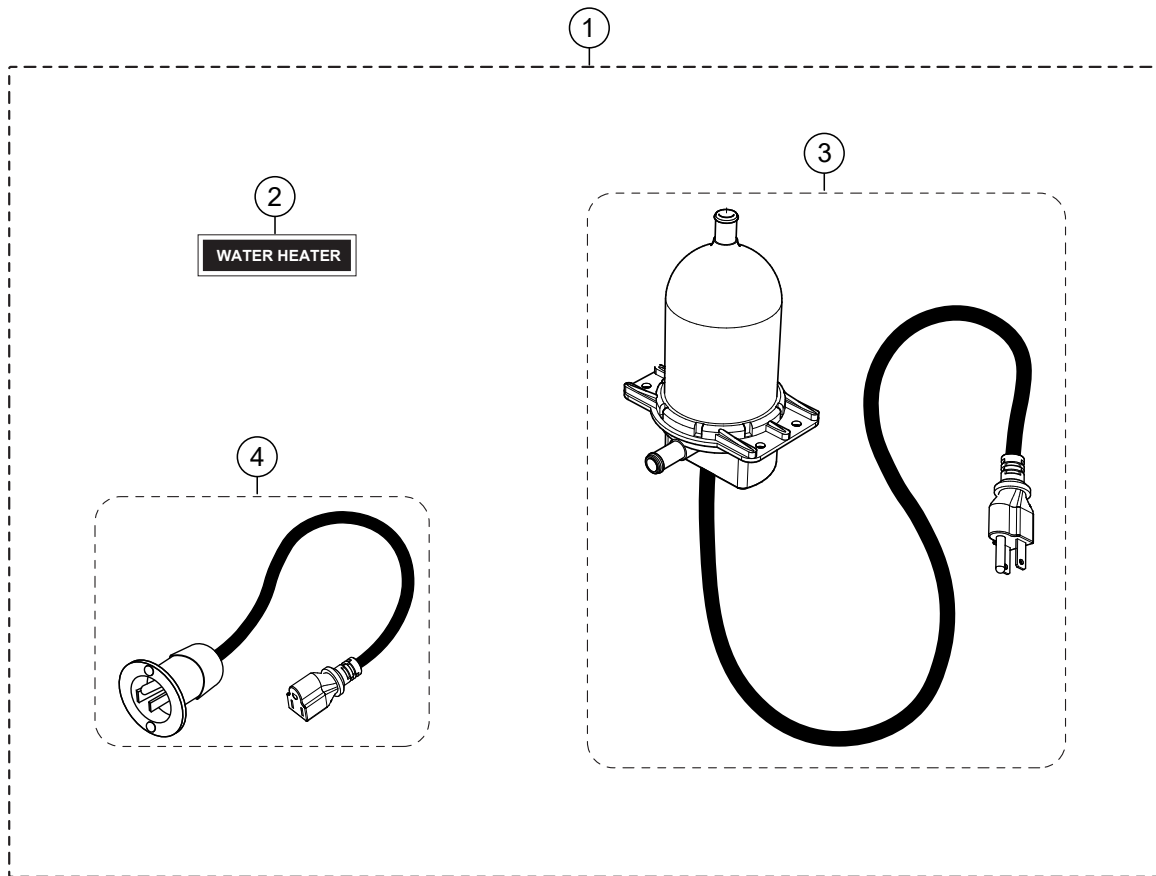
BATTERY CHARGER ASSY. (OPTION)



BATTERY CHARGER ASSY. (OPTION)

| <u>NO.</u> | <u>PART NO.</u> | <u>PART NAME</u> | <u>QTY.</u> | <u>REMARKS</u> |
|------------|-----------------|--|-------------|--------------------|
| 1 | MQPBCKIT-J | BATTERY CHARGER ASSY..... | 1..... | INCLUDES ITEMS W/# |
| 2# | EE62075 | BATTERY CHARGER, 6A, 12V | 1 | |
| 3# | EE62021 | ADAPTER, BATTERY CHARGER, LE | 1 | |
| 4# | EE62076 | INLET REC. AND CORD, NEMA 5-15P | 1 | |
| 5# | | HEX. HD. SCREW W/ WASHER, M4X12MM..... | 1..... | OBTAIN LOCALLY |
| 6# | | FLAT HEAD SCREW, 10-32X1/2"..... | 4..... | OBTAIN LOCALLY |
| 7# | | RING TERMINAL, 5/16", 14-16AWG..... | 2..... | OBTAIN LOCALLY |
| 8# | | RING TERMINAL, 3/8", 14-16AWG..... | 2..... | OBTAIN LOCALLY |
| 9# | | RING TERMINAL, 1/2", 14-16AWG..... | 2..... | OBTAIN LOCALLY |
| 10# | | SELF TAPPING HEX. SCREW, #8..... | 4..... | OBTAIN LOCALLY |
| 11# | | ZIP TIES, #6..... | 20..... | OBTAIN LOCALLY |
| 12# | EE60983 | 3A BATTERY CHARGER KIT, INST. | 1 | |
| 13# | | HEX. NUT, 10-32..... | 4..... | OBTAIN LOCALLY |
| 14# | M1940011014Q | DECAL, BATTERY CHARGER | 1 | |

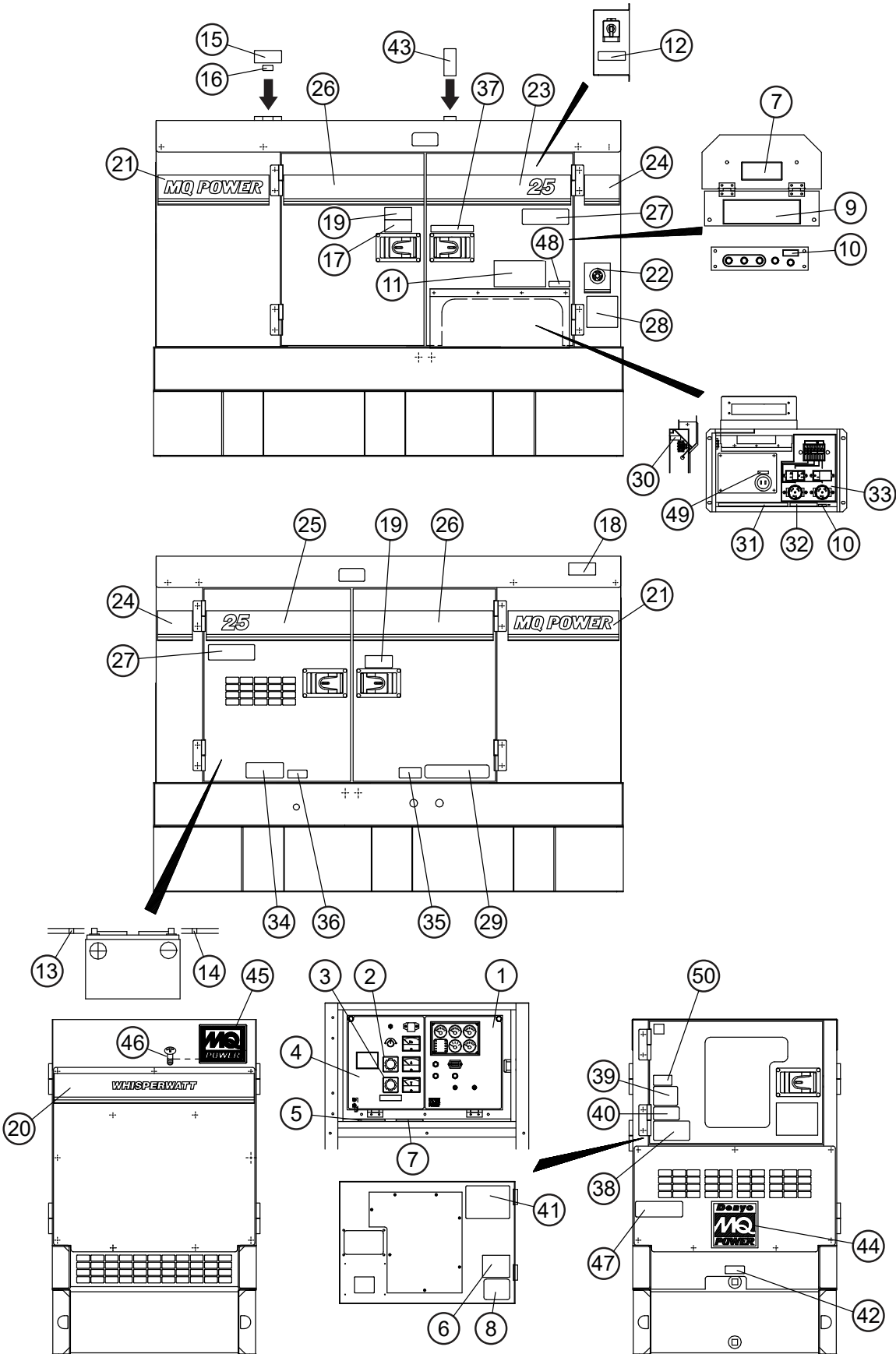
ENGINE BLOCK HEATER ASSY. (OPTION)



ENGINE BLOCK HEATER ASSY. (OPTION)

| <u>NO.</u> | <u>PART NO.</u> | <u>PART NAME</u> | <u>QTY.</u> | <u>REMARKS</u> |
|------------|-----------------|--------------------------------------|-------------|--------------------|
| 1 | MQPHEATTKIT-A | BLOCK HEATER, 500W | 1..... | INCLUDES ITEMS W/# |
| 2# | M1940011005Q | DECAL, WATER HEATER | 1 | |
| 3# | TPS051GT10000 | HEATER, TANK 500W | 1 | |
| 4# | EE62076 | INLET REC. AND CORD, NEMA 5-15P, 15A | 1 | |

NAMEPLATE AND DECALS ASSY.



NAMEPLATE AND DECALS ASSY.

| <u>NO.</u> | <u>PART NO.</u> | <u>PART NAME</u> | <u>QTY.</u> | <u>REMARKS</u> |
|------------|-----------------|--|-------------|---------------------------------------|
| 1 | M1551000103 | DECAL: ENGINE OPERATING..... | 1 | M15100010 |
| 2 | M9520000104 | DECAL: AMMETER CHANGE-OVER SW..... | 1 | M92000010 |
| 3 | M9520000204 | DECAL: VOLTMETER CHANGE-OVER SW..... | 1 | M92000020 |
| 4 | M1551000003 | DECAL: GENERATOR CONTROL | 1 | M15100000 |
| 5 | M9520100704 | DECAL: WARNING ARC FLASH..... | 1 | M92010070 |
| 6 | M9520100304 | DECAL: GENERAL CAUTIONS..... | 1 | M92010030 |
| 7 | M9520100004 | DECAL: WARNING ELECTRICAL SHOCK..... | 2 | M92010000 |
| 8 | M9520200404 | DECAL: O.C.R. RESET..... | 1 | M92020040A |
| 9 | M9520200003 | DECAL: CONNECTION OF OUTPUT CABLE .. | 1 | M92020000 |
| 10 | M9520000004 | DECAL: GROUNDING..... | 2 | M92000000 |
| 11 | M9520100404 | DECAL: DANGER HIGH VOLTAGE | 1 | M92010040 |
| 12 | M9520100204 | DECAL: CAUTION CHANGE-OVER SW..... | 1 | M92010020A |
| 13 | M9500300104 | DECAL: + | 1 | M90030010 |
| 14 | M9500300004 | DECAL: - | 1 | M90030000 |
| 15 | M9503100004 | DECAL: WARNING RADIATOR CAP..... | 1 | M90310000 |
| 16 | M9500100004 | DECAL: WATER..... | 1 | M90010000 |
| 17 | M9510100004 | DECAL: CAUTION HIGH TEMP..... | 1 | M91010000 |
| 18 | M9503200004 | DECAL: WARNING EXHAUST GAS..... | 1 | M90320000 |
| 19 | M9503000004 | DECAL: WARNING ROTATING PART | 2 | M90300000 |
| 20 | M1561100703 | STRIPE | 1 | |
| 21 | M1560101604 | STRIPE | 2 | |
| 22 | M9521002804 | DECAL: EMERGENCY STOP | 1 | |
| 23 | M1561103004 | STRIPE | 1 | |
| 24 | M1561101004 | STRIPE | 2 | |
| 25 | M1561101803 | STRIPE | 1 | |
| 26 | M1561101904 | STRIPE | 2 | |
| 27 | M9520100603 | DECAL: WARNING AUTO START | 2 | M92010060 |
| 28 | M1551000404 | DECAL: NOTE LOAD SHARING | 1 | M15100040 |
| 29 | M9503000103 | DECAL: DAILY CHECK WATER AND OIL | 1 | M90300010 |
| 30 | M9520000504 | DECAL: START CONTACT | 1 | M92000050 |
| 31 | M9520100503 | DECAL: WARNING | 1 | M92010050 |
| 32 | M9511100104 | DECAL: NOTE RECEPTACLE..... | 1 | M91110010 |
| 33 | M1551001003 | DECAL: AUXILIARY OUTPUT | 1 | M15100100A |
| 34 | M9510100403 | DECAL: WARNING BATTERY CONNECT | 1 | M91010040 |
| 35 | M9501500004 | DECAL: DIESEL FUEL | 1 | M90150000 |
| 36 | M9500000004 | DECAL: OIL DRAIN | 1 | M90000000 |
| 37 | M9510000104 | DECAL: DOCUMENT BOX LOCATED | 1 | M91000010 |
| 38 | M9511100004 | DECAL: WARNING ENVIRONMENTAL..... | 1 | M91110000 |
| 39 | M9503200104 | DECAL: DANGER EX. GAS (INDOOR)..... | 1 | M90320010 |
| 40 | 920214100 | DECAL: WARNING START FIRES | 1 | REPLACES P/N M9504200004 M90420000 |
| 41 | M2550002303 | OPERATING PRECAUTIONS | 1 | M25000230 |
| 42 | M9510000004 | DECAL: FLUID DRAIN..... | 1 | M91000000 |
| 43 | M1550001404 | CAUTION: LIFTING CAPACITY | 1 | M15000140 |
| 44 | M9510200002 | STICKER: MQ..... | 1 | M91020000 |
| 45 | 0600500092 | EMBLEM | 1 | |
| 46 | 0021106015 | MACHINE SCREW | 4 | |
| 47 | M9511200103 | TIER 4F..... | 1 | M91120010 |
| 48 | M9521200604 | DECAL: BONDED NEUTRAL..... | 1 | M92120060 |
| 49 | M9522000004 | DECAL: WATER HEATER | 1 | |
| 50 | M9504200104 | DECAL: WARNING PROPOSITION 65 | 1 | M90420010 |

PARTS MANUAL

HERE'S HOW TO GET HELP

PLEASE HAVE THE MODEL AND SERIAL
NUMBER ON-HAND WHEN CALLING

UNITED STATES

Multiquip Inc.

(310) 537- 3700
6141 Katella Avenue Suite 200
Cypress, CA 90630
E-MAIL: mq@multiquip.com
WEBSITE: www.multiquip.com

CANADA

Multiquip

(450) 625-2244
4110 Industriel Boul.
Laval, Quebec, Canada H7L 6V3
E-MAIL: infocanada@multiquip.com

UNITED KINGDOM

Multiquip (UK) Limited Head Office

0161 339 2223
Unit 2, Northpoint Industrial Estate,
Globe Lane,
Dukinfield, Cheshire SK16 4UJ
E-MAIL: sales@multiquip.co.uk

© COPYRIGHT 2023, MULTIQUIP INC.

Multiquip Inc, the MQ logo and the MQ Power logo are registered trademarks of Multiquip Inc. and may not be used, reproduced, or altered without written permission. All other trademarks are the property of their respective owners and used with permission.

This manual MUST accompany the equipment at all times. This manual is considered a permanent part of the equipment and should remain with the unit if resold.

The information and specifications included in this publication were in effect at the time of approval for printing. Illustrations, descriptions, references and technical data contained in this manual are for guidance only and may not be considered as binding. Multiquip Inc. reserves the right to discontinue or change specifications, design or the information published in this publication at any time without notice and without incurring any obligations.

Manufactured for
MQ Power Inc.
by
DENYO MANUFACTURING CORP.

