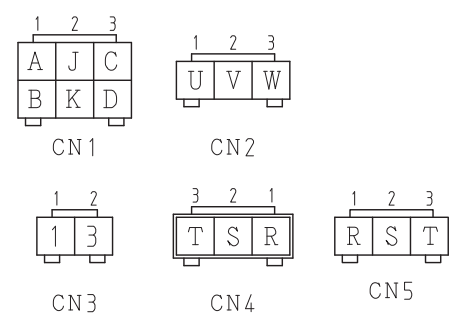
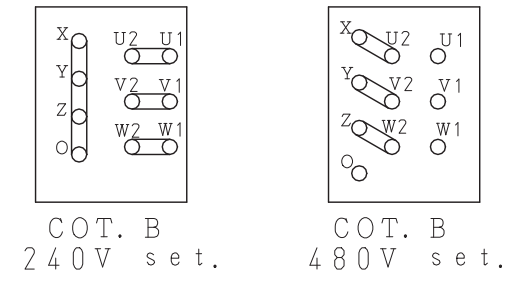


| MARK | N A M E |
|---------|---------------------------------|
| Ar | MAIN GENERATOR ARMATURE WINDING |
| Fg | MAIN GENERATOR FIELD WINDING |
| ExAr | EXCITER ARMATURE WINDING |
| ExFg | EXCITER FIELD WINDING |
| AVR | AUTOMATIC VOLTAGE REGULATOR |
| VR | VOLTAGE REGULATING RHEOSTAT |
| Re | RECTIFIER |
| CT1~3 | CURRENT TRANSFORMER 500:5A |
| CT4, 5 | CURRENT TRANSFORMER 500:5A |
| CB1 | CIRCUIT BREAKER 800A |
| OC | OVER CURRENT RELAY |
| COT. B | VOLTAGE CHANGE-OVER BOARD |
| AS | AMMETER CHANGE-OVER SWITCH |
| A | AC. AMMETER 0~500, 1000A |
| VS | VOLTMETER CHANGE-OVER SWITCH |
| V | AC. VOLTMETER 0~600V |
| F | FREQUENCY METER 45~65Hz 220V |
| CB2, 3 | AUX. CIRCUIT BREAKER 20A |
| CB4~6 | AUX. CIRCUIT BREAKER 50A |
| CON1, 2 | AUX. POWER RECEPTACLE 20A |
| CON3~5 | AUX. POWER RECEPTACLE 50A |

| CT 4, 5 | |
|---------|--------------------|
| | Written mark at CT |
| k | X1 |
| l | No mark |
| K | H1 |
| L | No mark |



CONNECTOR ARRANGEMENT (WIRING VIEW)



DCA300SSJU4F2 GENERATOR WIRING DIAGRAM

