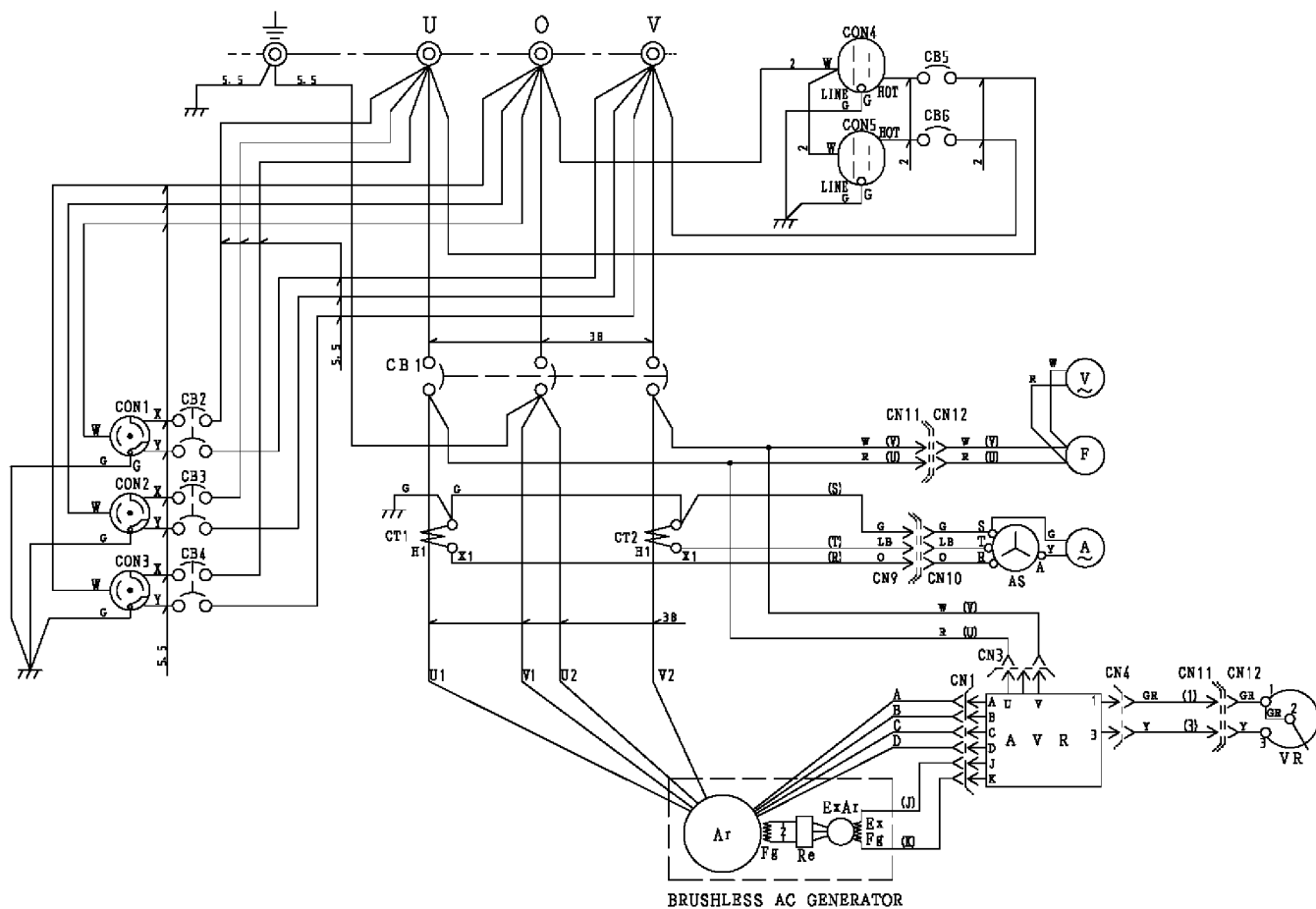
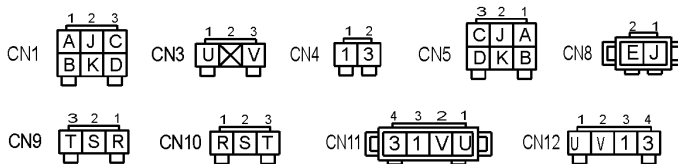


GENERATOR WIRING DIAGRAM



B	BLACK	R	RED
L	BLUE	W	WHITE
BR	BROWN	Y	YELLOW
G	GREEN	LB	LIGHT BLUE
GR	GRAY	LG	LIGHT GREEN
V	VIOLET	O	ORANGE
P	PINK		

SYMBOL	DESIGNATION
Ar	MAIN GENERATOR ARMATURE WINDING
Fg	MAIN GENERATOR FIELD WINDING
ExAr	EXCITER ARMATURE WINDING
ExFg	EXCITER FIELD WINDING
Re	RECTIFIER
AVR	AUTOMATIC VOLTAGE REGULATOR
VR	VOLTAGE REGULATOR (RHEOSTAT)
CT 1,2	CURRENT TRANSFORMER
AS	CHANGE-OVER SWITCH, AMMETER
A	AC. AMMETER
V	AC. VOLTMETER
F	FREQUENCY METER
CB1	CIRCUIT BREAKER
CB2,3,4	CIRCUIT BREAKER
CB5,6	CIRCUIT BREAKER
CON1, 2, 3	RECEPTACLE, 250V @ 50A
CON4,5	RECEPTACLE, 125 @ 20A X 2, GFCI

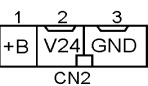
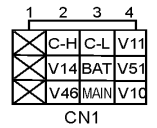
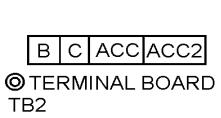
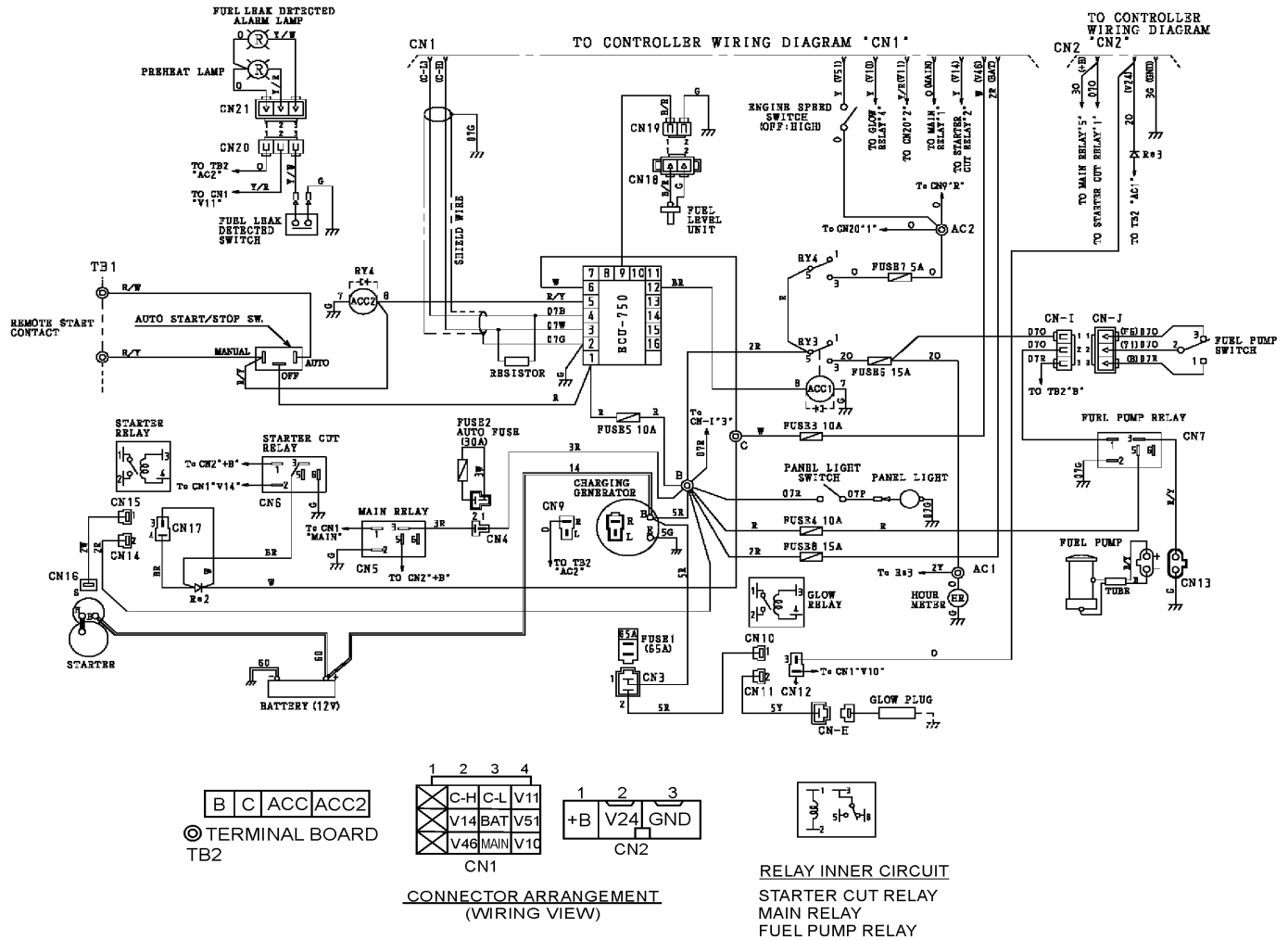


CONNECTER ARRANGEMENT (WIRING VIEW)

Notice:

1. With no designation use KIV1 : 1.25 mm² lead of designated color.

ENGINE WIRING DIAGRAM



CONNECTOR ARRANGEMENT (WIRING VIEW)

RELAY INNER CIRCUIT
STARTER CUT RELAY
MAIN RELAY
FUEL PUMP RELAY