

PARTS MANUAL



WHISPERWATT™ SERIES
MODEL
DCA400SSV
(VOLVO PENTA TAD1241GE DIESEL ENGINE)

Revision #1 (03/05/24)

To find the latest revision of this publication or associated operation manual, visit our website at: www.mqpower.com



THIS MANUAL MUST ACCOMPANY THE EQUIPMENT AT ALL TIMES.

TABLE OF CONTENTS

MQ POWER DCA400SSV WHISPERWATT GENERATOR

Explanation Of Code In Remarks Column.....	4
Suggested Spare Parts	5

Component Drawings

Generator Assembly	6–9
Engine Operating Panel Assembly	10–11
Control Box Assembly	12–15
Engine and Radiator Assembly	16–19
Output Terminal Assembly	20–21
Battery Assembly	22–23
Muffler Assembly	24–25
Fuel Tank Assembly	26–27
Enclosure #1 Assembly	28–29
Enclosure #2 Assembly	30–33
Enclosure #3 Assembly	34–37
Rubber Seals Assembly	38–39
Nameplate and Decals.....	40–43

NOTICE

Specifications and part numbers are subject to change without notice.

EXPLANATION OF CODE IN REMARKS COLUMN

The following section explains the different symbols and remarks used in the Parts section of this manual. Use the help numbers found on the back page of the manual if there are any questions.

NOTICE

The contents and part numbers listed in the parts section are subject to change without notice. Multiquip does not guarantee the availability of the parts listed.

SAMPLE PARTS LIST

NO.	PART NO.	PART NAME	QTY.	REMARKS
1	12345	BOLT	1	INCLUDES ITEMS W/%
2%		WASHER, 1/4 IN.		NOT SOLD SEPARATELY
2%	12347	WASHER, 3/8 IN. ...	1	MQ-45T ONLY
3	12348	HOSE	A/R	MAKE LOCALLY
4	12349	BEARING	1	S/N 2345B AND ABOVE

NO. Column

Unique Symbols — All items with same unique symbol (@, #, +, %, or >) in the number column belong to the same assembly or kit, which is indicated by a note in the “Remarks” column.

Duplicate Item Numbers — Duplicate numbers indicate multiple part numbers, which are in effect for the same general item, such as different size saw blade guards in use or a part that has been updated on newer versions of the same machine.

NOTICE

When ordering a part that has more than one item number listed, check the remarks column for help in determining the proper part to order.

PART NO. Column

Numbers Used — Part numbers can be indicated by a number, a blank entry, or TBD.

TBD (To Be Determined) is generally used to show a part that has not been assigned a formal part number at the time of publication.

A blank entry generally indicates that the item is not sold separately or is not sold by Multiquip. Other entries will be clarified in the “Remarks” Column.

QTY. Column

Numbers Used — Item quantity can be indicated by a number, a blank entry, or A/R.

A/R (As Required) is generally used for hoses or other parts that are sold in bulk and cut to length.

A blank entry generally indicates that the item is not sold separately. Other entries will be clarified in the “Remarks” Column.

REMARKS Column

Some of the most common notes found in the “Remarks” Column are listed below. Other additional notes needed to describe the item can also be shown.

Assembly/Kit — All items on the parts list with the same unique symbol will be included when this item is purchased.

Indicated by:

“INCLUDES ITEMS W/(unique symbol)”

Serial Number Break — Used to list an effective serial number range where a particular part is used.

Indicated by:

“S/N XXXXX AND BELOW”

“S/N XXXX AND ABOVE”

“S/N XXXX TO S/N XXX”

Specific Model Number Use — Indicates that the part is used only with the specific model number or model number variant listed. It can also be used to show a part is NOT used on a specific model or model number variant.

Indicated by:

“XXXXX ONLY”

“NOT USED ON XXXX”

“Make/Obtain Locally” — Indicates that the part can be purchased at any hardware shop or made out of available items. Examples include battery cables, shims, and certain washers and nuts.

“Not Sold Separately” — Indicates that an item cannot be purchased as a separate item and is either part of an assembly/kit that can be purchased, or is not available for sale through Multiquip.

SUGGESTED SPARE PARTS

DCA400SSV WHISPERWATT GENERATOR WITH VOLVO PENTA TAD1241GE DIESEL ENGINE

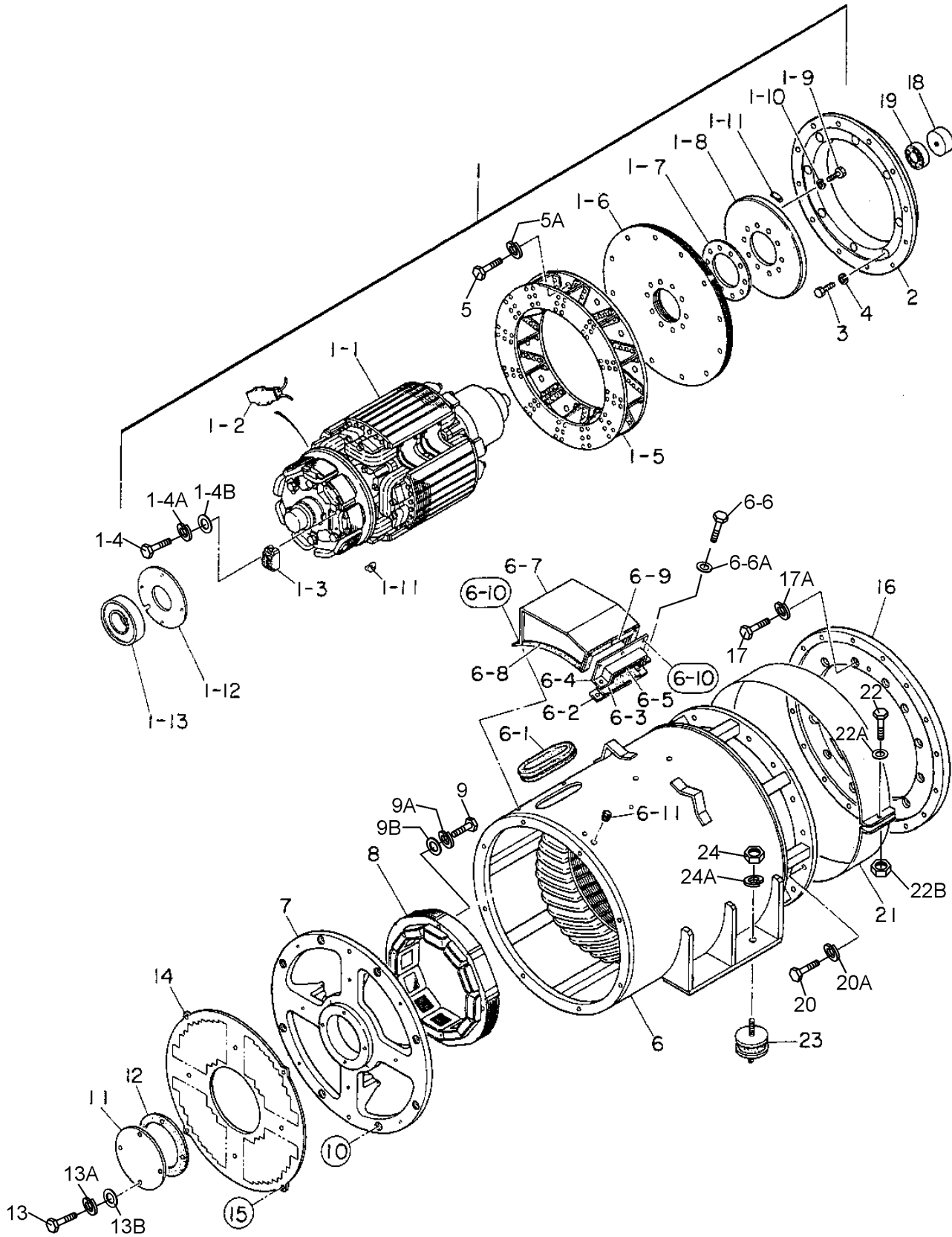
1 TO 3 UNITS

Qty.	P/N	Description
1	V3827266	HOSE, RADIATOR UPPER
1	V3827265	HOSE, RADIATOR LOWER
1	V1674922	CAP, FILLER EXPANSION TANK
1	V1674083	CAP, PRESSURE EXPANSION TANK
1	.0605505005	CAP, FUEL TANK
1	V3828041	V-BELT, MAIN
1	V3173821	ALTERNATOR, 12 VDC
1	V3803909	WATER PUMP
1	V978207	V-BELT, ALTERNATOR
1	V20374281	SENSOR, COOLANT TEMP.
1	V949656	O-RING, SENSOR, COOLANT TEMP.
1	V1077574	SENSOR OIL, PRESSURE AND TEMP.
1	V968559	O-RING, SENSOR OIL, PRESSURE AND TEMP.
1	V20424056	FUEL PRESSURE MONITOR
1	V947622	GASKET, FUEL PRESSURE MONITOR
1	V862154	SENSOR, TEMP., COOLANT-WATER
1	V11998	GASKET, TEMP., COOLANT-WATER
1	V862627	SENSOR, OIL TEMPERATURE
1	V11998	GASKET, OIL TEMPERATURE
1	V866835	SENSOR, PRESSURE
6	V8193841	CARTRIDGE, FUEL FILTER
6	V8159975	CARTRIDGE, FUEL PRE-FILLER
6	V466634	CARTRIDGE, OIL FILTER, FULL-FLOW
6	V477556	CARTRIDGE, OIL FILTER, BY-PASS
6	V1699830	CARTRIDGE, FILTER COOLANT
3	V3827643	ELEMENT, AIR CLEANER
1	.0601807514	CIRCUIT BREAKER
1	LY2DUS24VDC	RELAY

NOTICE

Part numbers on this Suggested Spare Parts list may supersede/replace the P/N shown in the next pages of this book.

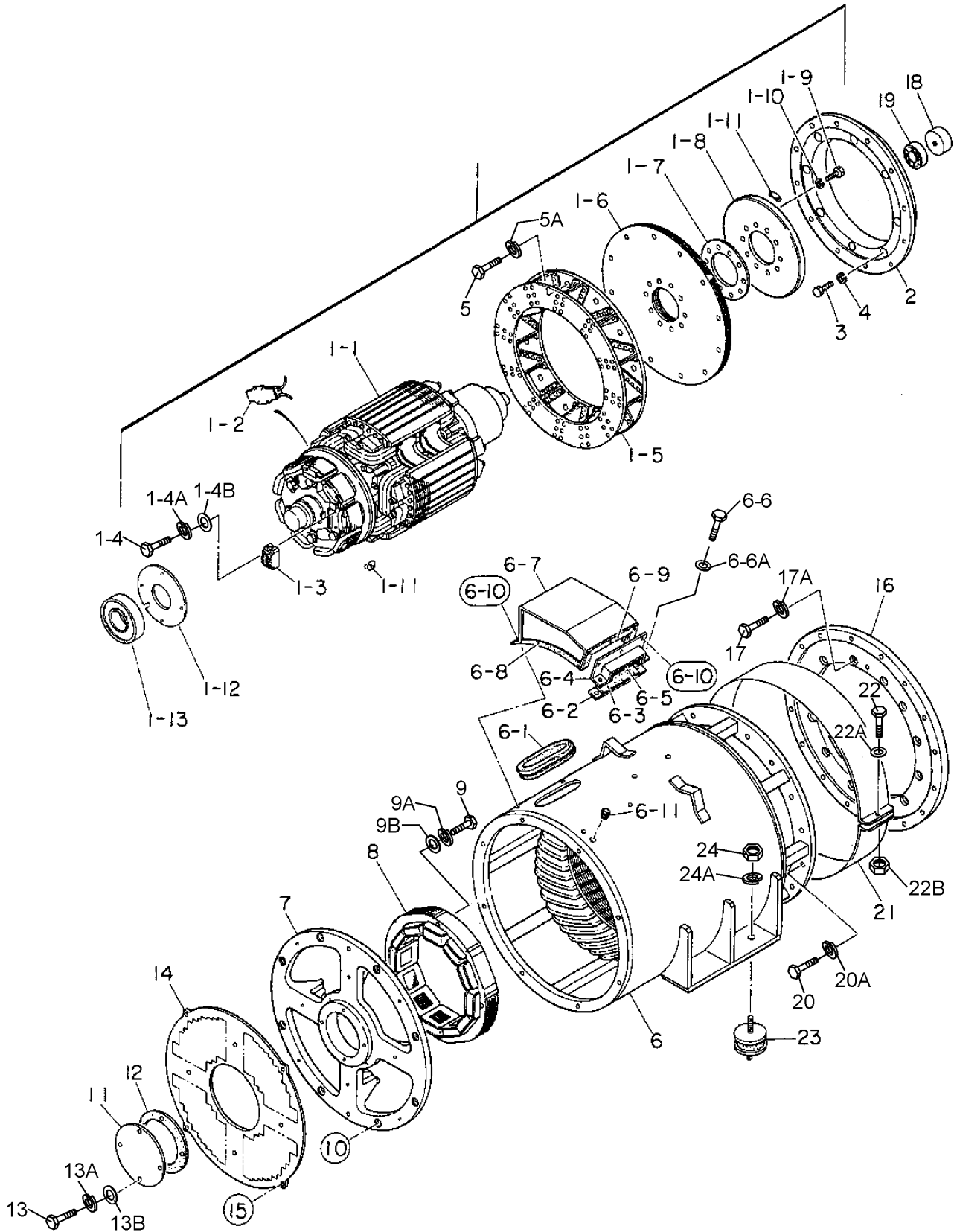
GENERATOR ASSY.



GENERATOR ASSY.

<u>NO.</u>	<u>PART NO.</u>	<u>PART NAME</u>	<u>QTY.</u>	<u>REMARKS</u>
1	C3110100902	ROTOR ASSY.	1	
1-1		FIELD ASSY.	1	
1-2	0601842401	RESISTOR, 80W 300K	2	
1-3	0601823282	RECTIFIER, RM50TC-24	1	
1-4	0018205020	HEX SOCKET HEAD CAP SCREW	2	
1-4A	0040005000	SPRING WASHER	2	
1-4B	0041205000	PLAIN WASHER	2	
1-5	8201070002	FAN	1	
1-6	8201611004	COUPLING DISK	12	
1-7	C3164200004	WASHER, COUPLING HUB	1	
1-8	8201015003	BALANCING PLATE	1	PURCHASE ITEM 1-11 AS A SET
1-9	0012116045	HEX HEAD BOLT	10	
1-10	0042616000	SPRING WASHER	10	
1-11	0601000209	BALANCING WEIGHT KIT	1	
1-12	C3112500004	BEARING FLANGE	1	
1-13	0071906315	BEARING, 6315DDU C3	1	
2	C3164400103	COUPLING RING	1	
3	0010312050	HEX HEAD BOLT	8	
4	0042512000	SPRING WASHER	8	
5	0010312040	HEX HEAD BOLT	12	
5A	0042512000	SPRING WASHER	12	
6	C3130100003	STATOR ASSY.	1	
6-1	0226200495	RUBBER SEAL	1	
6-2	8211323004	CLAMPER	1	
6-3	0223300172	RUBBER SEAL	1	
6-4	8211323103	CLAMPER	1	
6-5	0221200440	RUBBER SEAL	1	
6-6	0010110035	HEX HEAD BOLT	2	
6-6A	0041210000	PLAIN WASHER	2	
6-7	C3132200003	COVER	1	
6-8	0226000290	RUBBER SEAL	2	
6-9	0225000590	RUBBER SEAL	1	
6-10	0017106020	HEX HEAD BOLT	6	
6-11	0601850144	GROMMET	1	
7	C3154000002	END BRACKET	1	
8	C3138000003	FIELD ASSY. EXCITER	1	
9	0012110080	HEX HEAD BOLT	4	
9A	0042610000	SPRING WASHER	4	
9B	0041210000	PLAIN WASHER	4	
10	0017112045	HEX HEAD BOLT	8	
11	C3154300104	COVER, BEARING	1	
12	C3154300004	GASKET, BEARING	1	

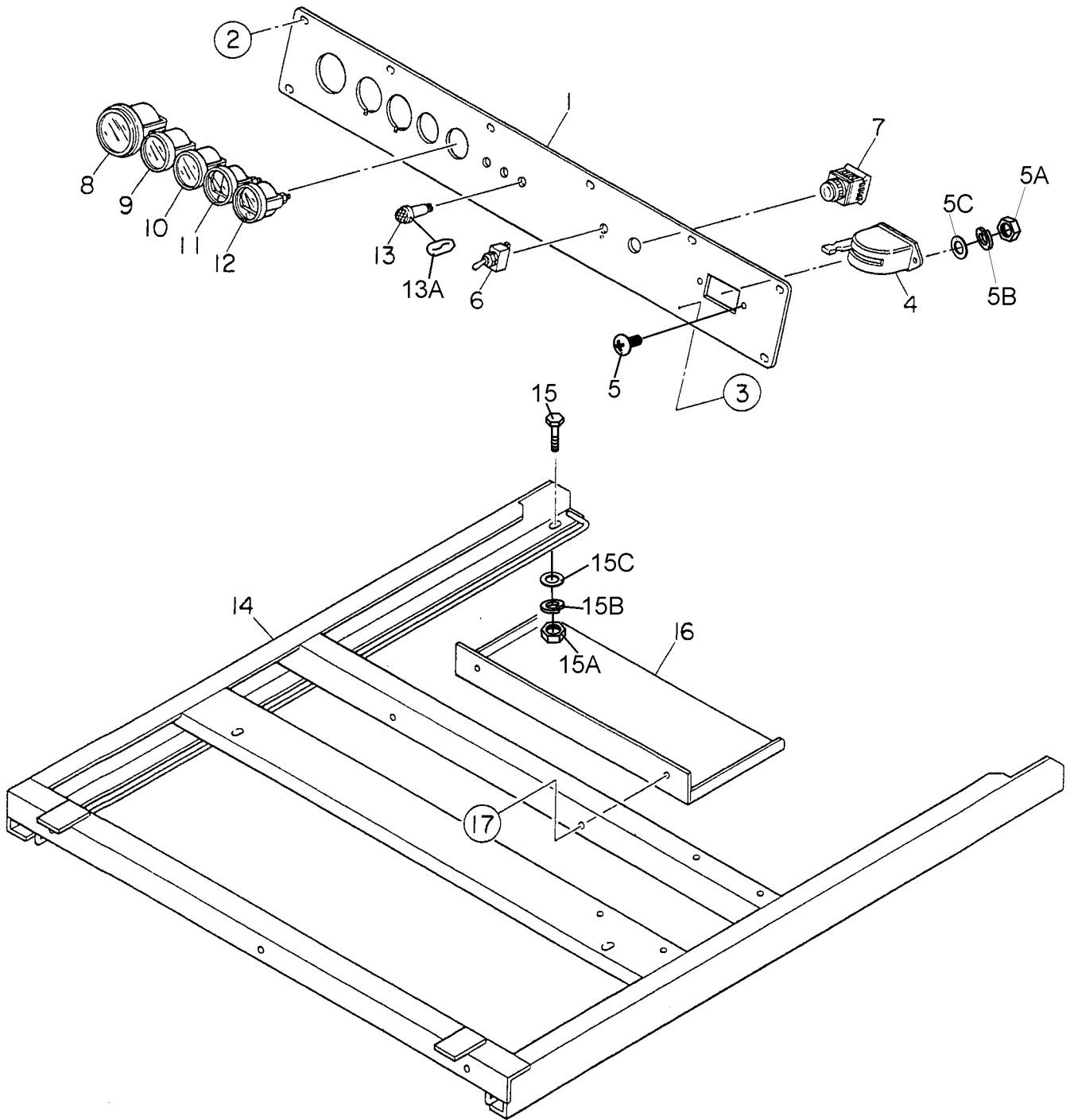
GENERATOR ASSY. (CONT'D.)



GENERATOR ASSY. (CONT'D.)

<u>NO.</u>	<u>PART NO.</u>	<u>PART NAME</u>	<u>QTY.</u>	<u>REMARKS</u>
13	0010106060	HEX HEAD BOLT	4	
13A	0040006000	SPRING WASHER	4	
13B	0041206000	PLAIN WASHER	4	
14	C3154400003	SUCTION COVER	1	
15	0017106016	HEX HEAD BOLT	8	
16	C3164600103	COUPLING ADAPTER	1	
17	0010310030	HEX HEAD BOLT	12	
17A	0042510000	SPRING WASHER	12	
18	C3164701404	SPACER, BEARING	1	
19	0070506208	BEARING, 6208ZZ	1	
20	0010312040	HEX HEAD BOLT	16	
20A	0042512000	SPRING WASHER	16	
21	C3132300014	COVER, FAN	1	
22	0010106030	HEX HEAD BOLT	1	
22A	0041206000	PLAIN WASHER	1	
22B	0600815000	NUT	1	
23	0605000061	RUBBER SUSPENSION	4	
24	0030016000	HEX NUT	8	
24A	0040016000	SPRING WASHER	8	

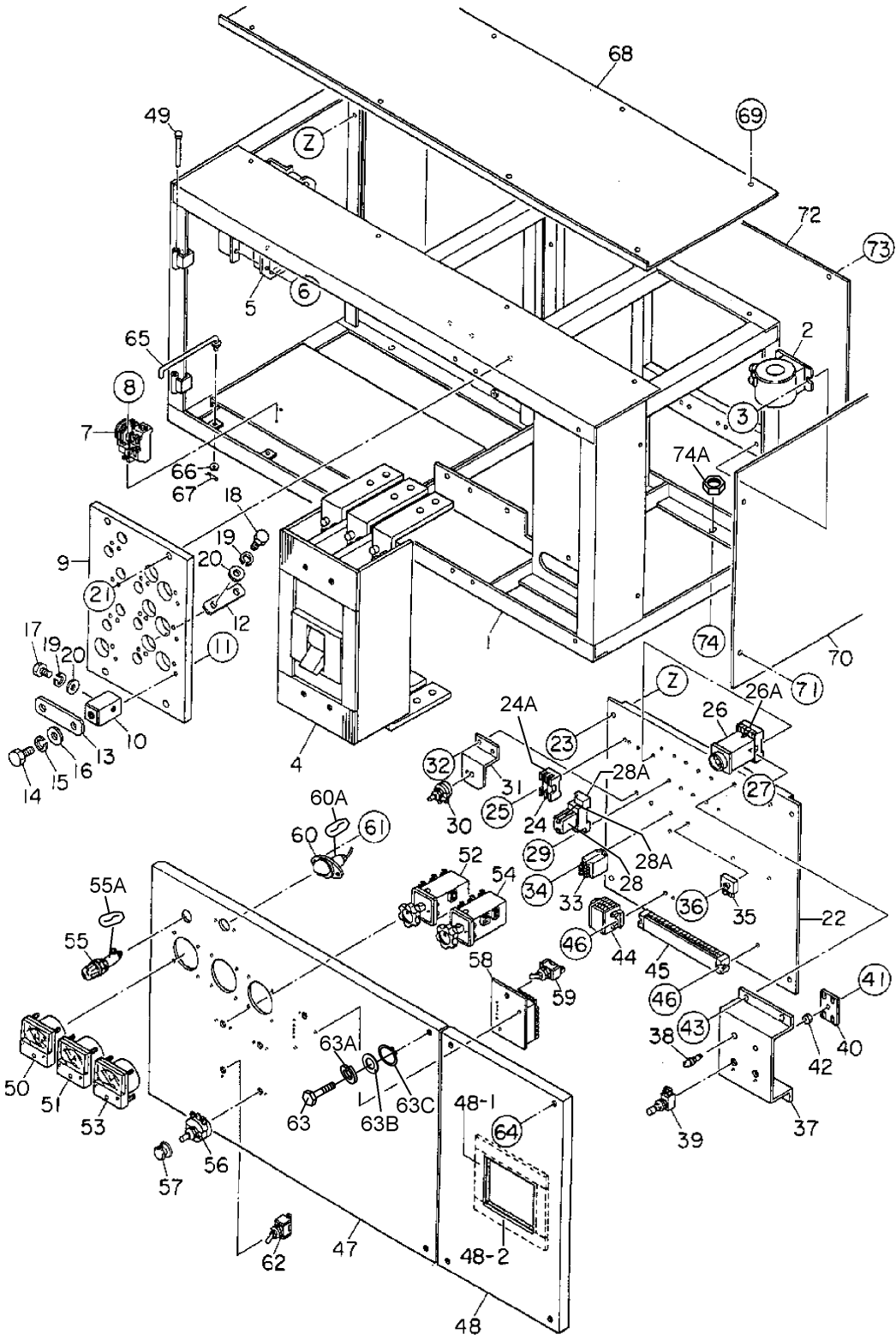
ENGINE OPERATING PANEL ASSY.



ENGINE OPERATING PANEL ASSY.

<u>NO.</u>	<u>PART NO.</u>	<u>PART NAME</u>	<u>QTY.</u>	<u>REMARKS</u>
1	C3352101303	OPERATING PANEL	1	
2	0017106016	HEX, HEAD BOLT	8	
3	0207006000	HEX, NUT	4	
4	0602101000	BATTERY SWITCH.....	1.....	REPLACES P/N 982730009
5	0021008080	MACHINE SCREW	2	
5A	0030008000	HEX, NUT	2	
5B	0040008000	SPRING WASHER	2	
5C	0041208000	PLAIN WASHER	2	
6	0601830710	ENGINE SPEED SWITCH	1	
7	0601830449	EMERGENCY STOP BUTTON	1	
8	V877179	TACHOMETER.....	1.....	REPLACES P/N 0602120024
9	V873198	OIL PRESSURE GAUGE.....	1.....	REPLACES P/N 0602122024
10	V873196	WATER TEMPERATURE GAUGE.....	1.....	REPLACES P/N 0602123024
11	0602121052	CHARGING AMMETER	1	
12	0602125060	FUEL GAUGE	1	
13	0602103090	ALARM LAMP	3	
13A	0601810244	BULB	3	
14	C3484000903	SET FRAME	1	
15	0010110030	HEX, HEAD BOLT	2	
15A	0030010000	HEX, NUT	2	
15B	0040010000	SPRING WASHER	2	
15C	0041210000	PLAIN WASHER	4	
16	C3374200104	COVER, AIR CLEANER	1	
17	0017108020	HEX HEAD BOLT	2	

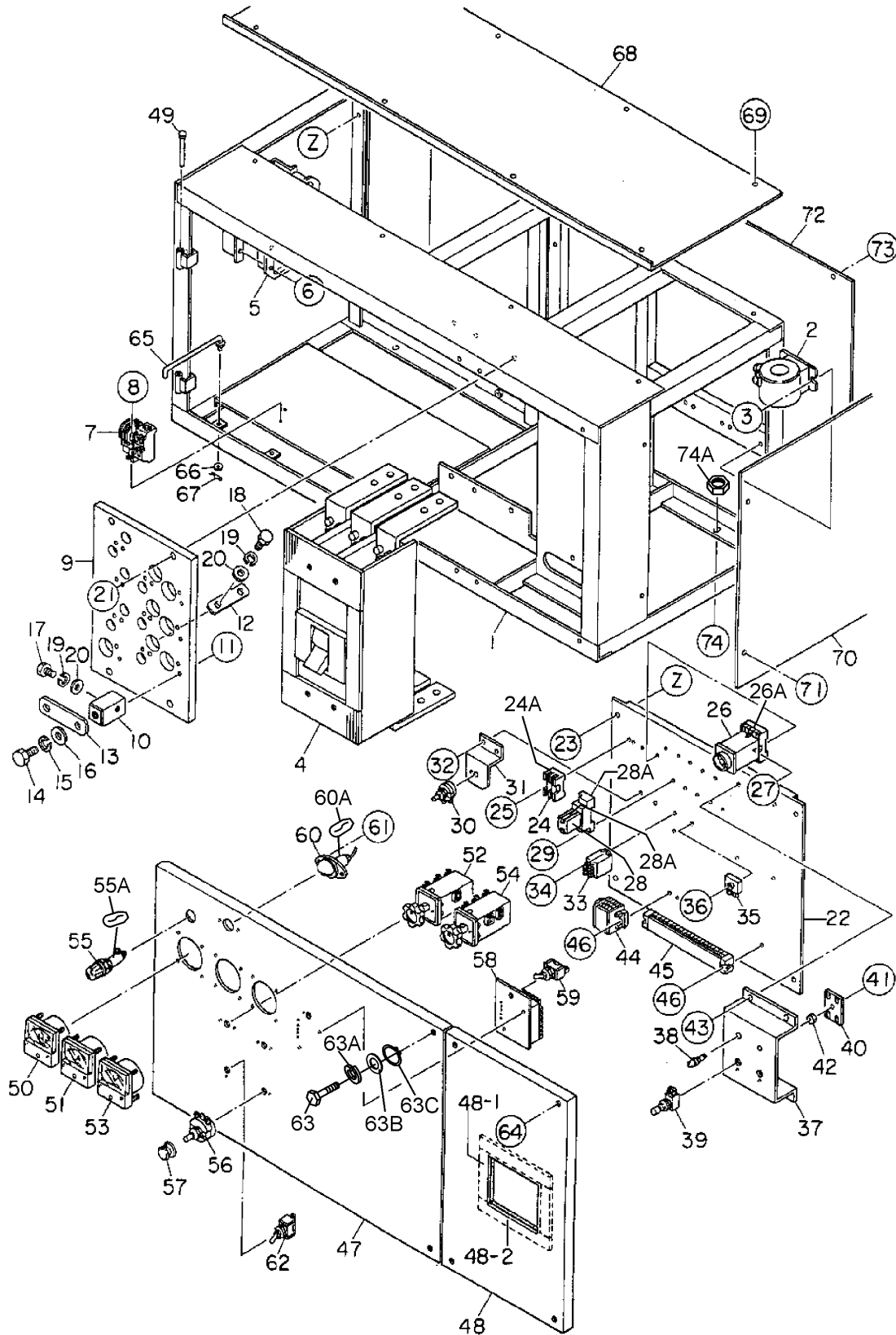
CONTROL BOX ASSY.



CONTROL BOX ASSY.

<u>NO.</u>	<u>PART NO.</u>	<u>PART NAME</u>	<u>QTY.</u>	<u>REMARK</u>
1	C3214001502	CONTROL BOX	1	
2	0601801170	CURRENT TRANSFORMER, CW-5L 750/5A	3	
3	0027106016	MACHINE SCREW	6	
4	0601807514	CIRCUIT BREAKER, 1000A	1	
5	0601820625	AUTOMATIC VOLTAGE REGULATOR	1	
6	0027105016	MACHINE SCREW	4	
7	0601820892	OVER CURRENT RELAY	1	
8	0027104016	MACHINE SCREW	2	
9	C3274000003	CHANGE-OVER BOARD, VOLTAGE	1	
10	8221852104	CHANGE TERMINAL	10	
11	0017108030	HEX HEAD BOLT	20	
12	C2277200004	TERMINAL PLATE	3	
13	8221853104	CHANGE PLATE	6	
14	0801830804	HEX HEAD BOLT	10	
15	0040016000	SPRING WASHER	10	
16	0041416000	PLAIN WASHER	10	
17	0801830704	HEX HEAD BOLT	13	
18	8201852504	HEX HEAD BOLT	3	
19	0040012000	SPRING WASHER	16	
20	0041412000	PLAIN WASHER	16	
21	0017110030	HEX HEAD BOLT	4	
22	C3261502303	SET PANEL, ELECTRIC PARTS	1	
23	0017108020	HEX HEAD BOLT	4	
24	0601802149	FUSE, 10A	1	
24A	0601802211	HOLDER, FUSE	1	
25	0027103020	MACHINE SCREW	2	
26	0601824961	TIMER, DC/AC24V	1	
26A	0601823151	SOCKET	1	
27	0027104025	MACHINE SCREW	2	
28	LY2DUS24VDC	RELAY, 24VDC	5	REPLACES P/N 0601827655
28A	0601823109	SOCKET, PTF08A	5	
28B	0601824400	HOLDER, PYC-A1	5	
29	0027104020	MACHINE SCREW	10	
30	0601840227	RHEOSTAT(HIGH IDLE SPEED REG.)	1	
31	C3262600004	BRACKET	1	
32	0017106016	HEX HEAD BOLT	2	
33	0601820995	RELAY, JA1C-TMDC24V	1	
34	0027104016	MACHINE SCREW	2	
35	0601823240	RECTIFIER, DE4503	1	
36	0027105020	MACHINE SCREW	1	
37	C3261601004	SWITCH	1	

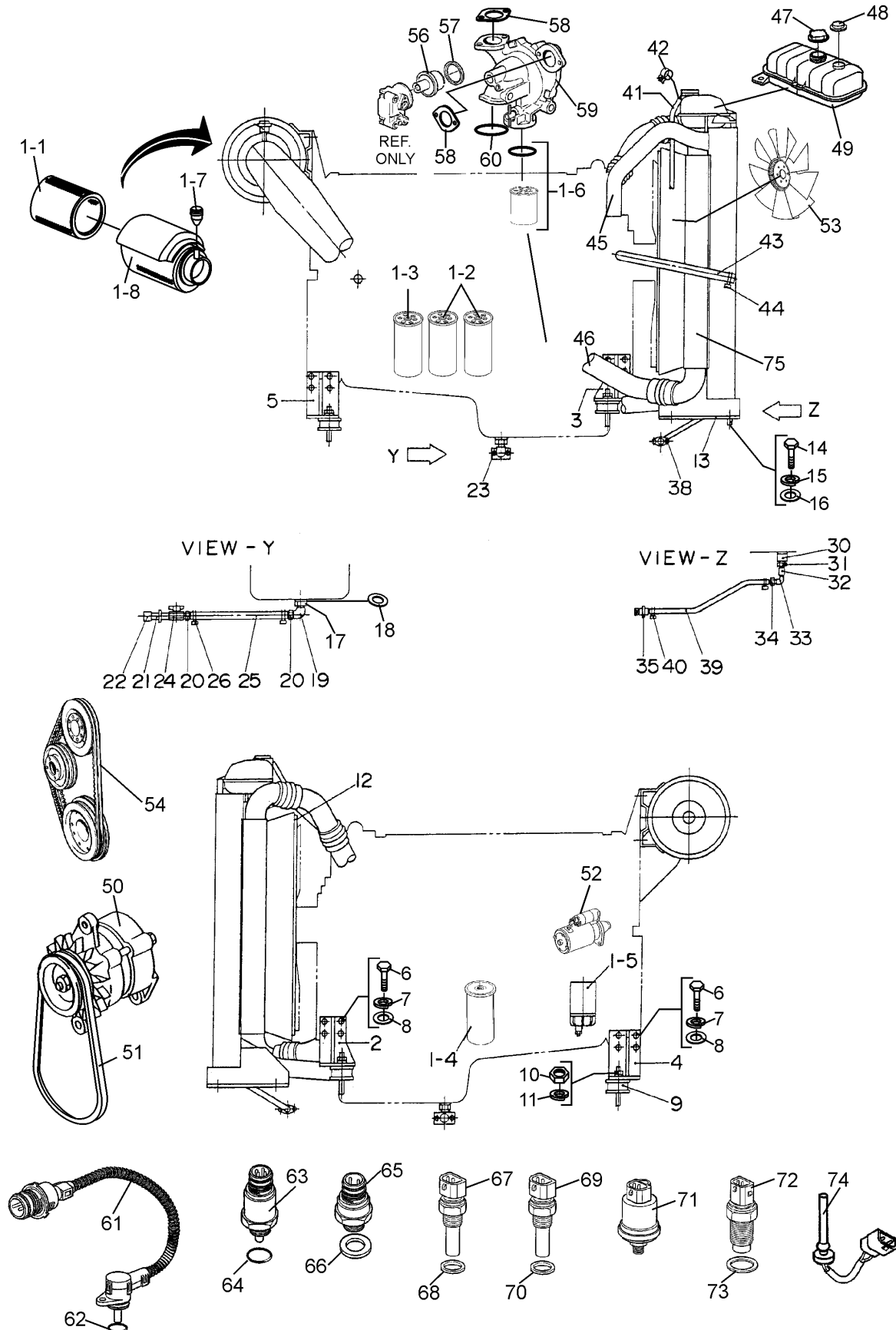
CONTROL BOX ASSY. (CONT'D.)



CONTROL BOX ASSY. (CONT'D.)

<u>NO.</u>	<u>PART NO.</u>	<u>PART NAME</u>	<u>QTY.</u>	<u>REMARKS</u>
38	0601810575	DIAGNOSTIC LAMP, DC24V	1	
39	0601831205	RESET SWITCH	1	
40	C3267600004	RESISTOR UNIT, 1/4W 39/120 OHM	1	
41	0027105020	MACHINE SCREW	1	
42	0030006000	HEX NUT	1	
43	0017106016	HEX HEAD BOLT	4	
44	0601815402	TERMINAL BOARD	1	
45	0601815464	TERMINAL BOARD	1	
46	0027104020	MACHINE SCREW	4	
47	C3224001303	CONTROL PANEL	1	
48	C3224002403	CONTROL PANEL	1	
48-1	0228800110	RUBBER SEAL	2	
48-2	0228800165	RUBBER SEAL	2	
49	0605011211	PIN	2	
50	0601807622	FREQUENCY METER, 45~65Hz 220V	1	
51	0601806987	AC AMMETER, 0~750A, 0~1500A	1	
52	0601801040	CHANGE-OVER SWITCH, AMMETER	1	
53	0601806887	AC VOLTMETER, 0~600V	1	
54	0601801041	CHANGE-OVER SWITCH, VOLTMETER	1	
55	0601810072	PILOT LAMP, LP-132DC 220V	1	
55A	0601810261	BULB, CT-13W	1	
56	0601840073	RHEOSTAT (VOLTAGE REG.), 2W 1K OHM	1	
57	0601840121	KNOB	1	
58	ECU9988N400V	ENGINE CONTROLLER.....	1	REPLACES P/N 0602202640
59	0601830765	SWITCH	1	
60	0601810161	PANEL LIGHT	1	
60A	0601810214	BULB	1	
61	0207004000	HEX NUT	2	
62	0601830710	SWITCH, PANEL LIGHT	1	
63	C9221100004	HEX, HEAD BOLT	2	
63A	0040008000	SPRING WASHER	2	
63B	0041208000	PLAIN WASHER	2	
63C	0080200007	SNAP RING	2	
64	0017108040	HEX HEAD BOLT	4	
65	3871824004	STOPPER, CONTROL PANEL	1	
66	0041206000	PLAIN WASHER	1	
67	0605010502	SNAP PIN	1	
68	8221814804	COVER, CONTROL BOX	1	
69	0017108020	HEX, HEAD BOLT	8	
70	8224117004	SIDE PANEL, CONTROL BOX	1	
71	0017108020	HEX, HEAD BOLT	4	
72	8221827704	PANEL, CONTROL BOX	1	
73	0017108020	HEX, HEAD BOLT	8	
74	0017110035	HEX, HEAD BOLT	4	
74A	0207010000	HEX, NUT	4	

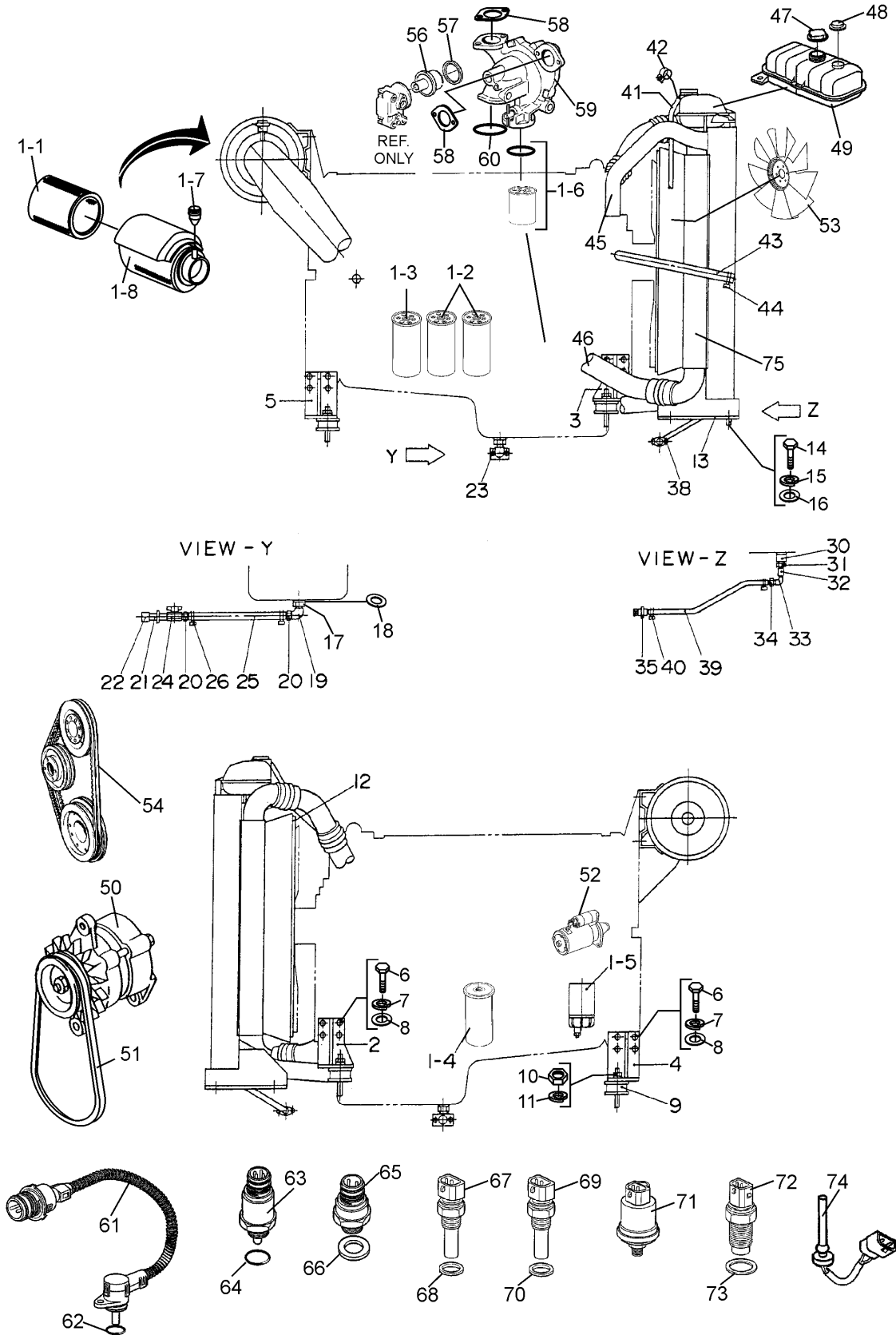
ENGINE AND RADIATOR ASSY.



ENGINE AND RADIATOR ASSY.

<u>NO.</u>	<u>PART NO.</u>	<u>PART NAME</u>	<u>QTY.</u>	<u>REMARKS</u>
1	C3924200154	ENGINE AND RADIATOR SET.....	1.....	INCLUDES ITEMS W/*
1-1*	V3827643	ELEMENT, AIR CLEANER.....	1.....	REPLACES P/N 0602046623
1-2*	V466634	CARTRIDGE, OIL FILTER, FULL-FLOW.....	2.....	REPLACES P/N 0602041275
1-3*	V477556	CARTRIDGE, OIL FILTER, BY-PASS.....	1.....	REPLACES P/N 0602041276
1-4*	V8193841	CARTRIDGE, FUEL FILTER.....	1.....	REPLACES P/N 0602042561
1-5*	V8159975	CARTRIDGE, FUEL PRE-FILLER.....	1.....	REPLACES P/N 0602042765
1-6*	V1699830	CARTRIDGE, FILTER COOLANT.....	1.....	REPLACES P/N 0602045160
1-7*	V3828765	INDICATOR, AIR CLEANER.....	1.....	REPLACES P/N 0602040605
1-8*	V3828448	AIR CLEANER, COMPLETE	1	
2	C3304200304	ENGINE FOOT	1	
3	C3304200204	ENGINE FOOT	1	
4	C3304200504	ENGINE FOOT	1	
5	C3304200404	ENGINE FOOT	1	
6	0010316045	HEX, HEAD BOLT	16	
7	0040016000	SPRING WASHER	16	
8	0041216000	PLAIN WASHER	16	
9	0605000061	RUBBER SUSPENSION	4	
10	0030016000	HEX, NUT	8	
11	0040016000	SPRING WASHER	8	
12	C3311100403	FAN SHROUD	1	
13	C3311600004	RUBBER SHEET	2	
14	0010112050	HEX, HEAD BOLT	8	
15	0040012000	SPRING WASHER	8	
16	0041212000	PLAIN WASHER	8	
17	6452025504	DRAIN JOINT	1	
18	0802024004	PACKING	1	
19	0130008000	ELBOW JOINT, 3/4"	1	
20	0602022294	HOSE JOINT	2	
21	C0321200004	DRAIN JOINT	1	
22	C0321300004	CAP	1	
23	0017108025	HEX HEAD BOLT	2	
24	0603325017	VALVE	1	
25	0265800460	DRAIN HOSE	1	
26	0605515074	HOSE BAND	2	
27	V948867	ADAPTER.....	1.....	REPLACES P/N 0603306591
28	V977409	ELBOW JOINT.....	1.....	REPLACES P/N 0603306296
29	V974320	VALVE.....	1.....	REPLACES P/N 0602012070
30	E2924100124	CONNECTOR	1	
31	0131608040	REDUCING NIPPLE, 3/4X3/8"	1	
32	0131104000	SOCKET 3/8"	1	
33	0130204000	STREET ELBOW 3/8"	1	
34	0602022219	HOSE JOINT	1	
35	7812014003	DRAIN JOINT	1	

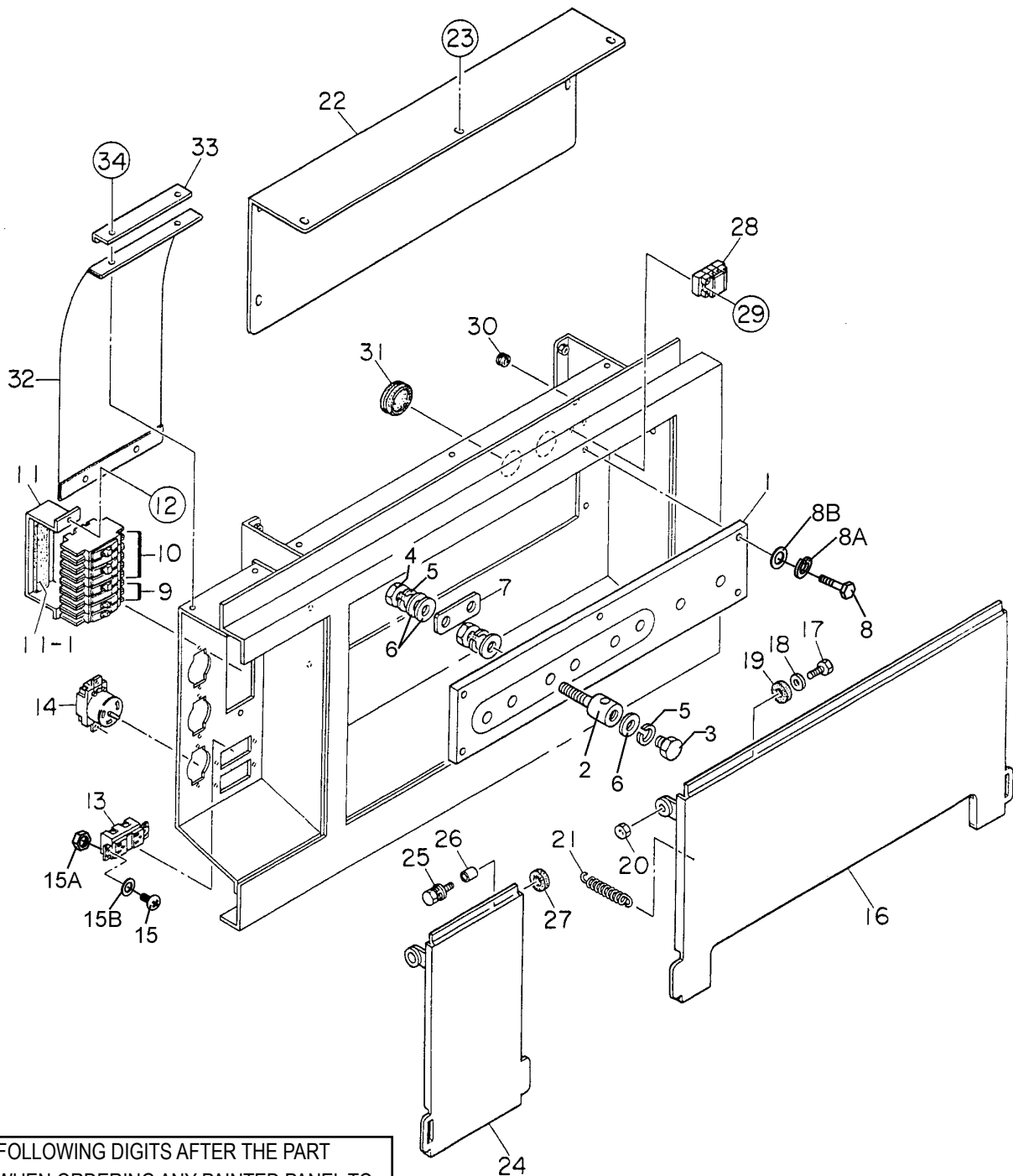
ENGINE AND RADIATOR ASSY. (CONT'D.)



ENGINE AND RADIATOR ASSY. (CONT'D.)

<u>NO.</u>	<u>PART NO.</u>	<u>PART NAME</u>	<u>QTY.</u>	<u>REMARKS</u>
36	0802011104	PLUG	1	
37	0150000018	O-RING	1	
38	0017106025	HEX, HEAD BOLT	2	
39	0199900900	DRAIN HOSE	1	
40	0605515094	HOSE BAND	2	
41	0191302200	OVERFLOW HOSE	1	
42	0605515094	HOSE BAND	1	
43	0269600780	BREATHER HOSE	1	
44	0605515067	HOSE BAND	2	
45	V3827266	HOSE, RADIATOR UPPER	1	
46	V3827265	HOSE, RADIATOR LOWER	1	
47	V1674922	CAP, FILLER, EXPANSION TANK	1	
48	V1674083	CAP, PRESSURE, EXPANSION TANK	1	
49	TBD TANK,	EXPANSION	1	
50	V3173821	ALTERNATOR 12 VDC	1	
51	V978207	V-BELT, ALTERNATOR	1	
52	V3832674	STARTER MOTOR	1	
53	V3828964	FAN	1	
54	V3828041	V-BELT, MAIN	1	
56	V8149186	THERMOSTAT	1	
57	V1544710	SEALING RING	1	
58	V8170514	GASKET	2	
59	V3803909	WATER PUMP COMPLETE	1	
60	V925255	O-RING	1	
61	V20374281	SENSOR, COOLANT TEMP.	1	
62	V949656	O-RING, SENSOR, COOLANT TEMP.	1	
63	V1077574	SENSOR OIL, PRESSURE & TEMP.	1	
64	V968559	O-RING, SENSOR OIL, PRESSURE & TEMP.	1	
65	V20424056	FUEL PRESSURE MONITOR	1	
66	V947622	GASKET, FUEL PRESSURE MONITOR	1	
67	V862154	SENSOR,TEMPERATURE COOLANT-WATER	1	
68	V11998	GASKET, TEMP, COOLANT-WATER	1	
69	V862627	SENSOR, OIL TEMPERATURE	1	
70	V11998	GASKET, OIL TEMPERATURE	1	
71	V866835	SENSOR, PRESSURE	1	
72	V862251	SENSOR, TACHOMETER	1	
73	V948884	WASHER	1	
74	V8140024	SENSOR, LEVEL	1	
75	V888301	RADIATOR	1	

OUTPUT TERMINAL ASSY.



ADD THE FOLLOWING DIGITS AFTER THE PART NUMBER WHEN ORDERING ANY PAINTED PANEL TO INDICATE COLOR OF UNIT:

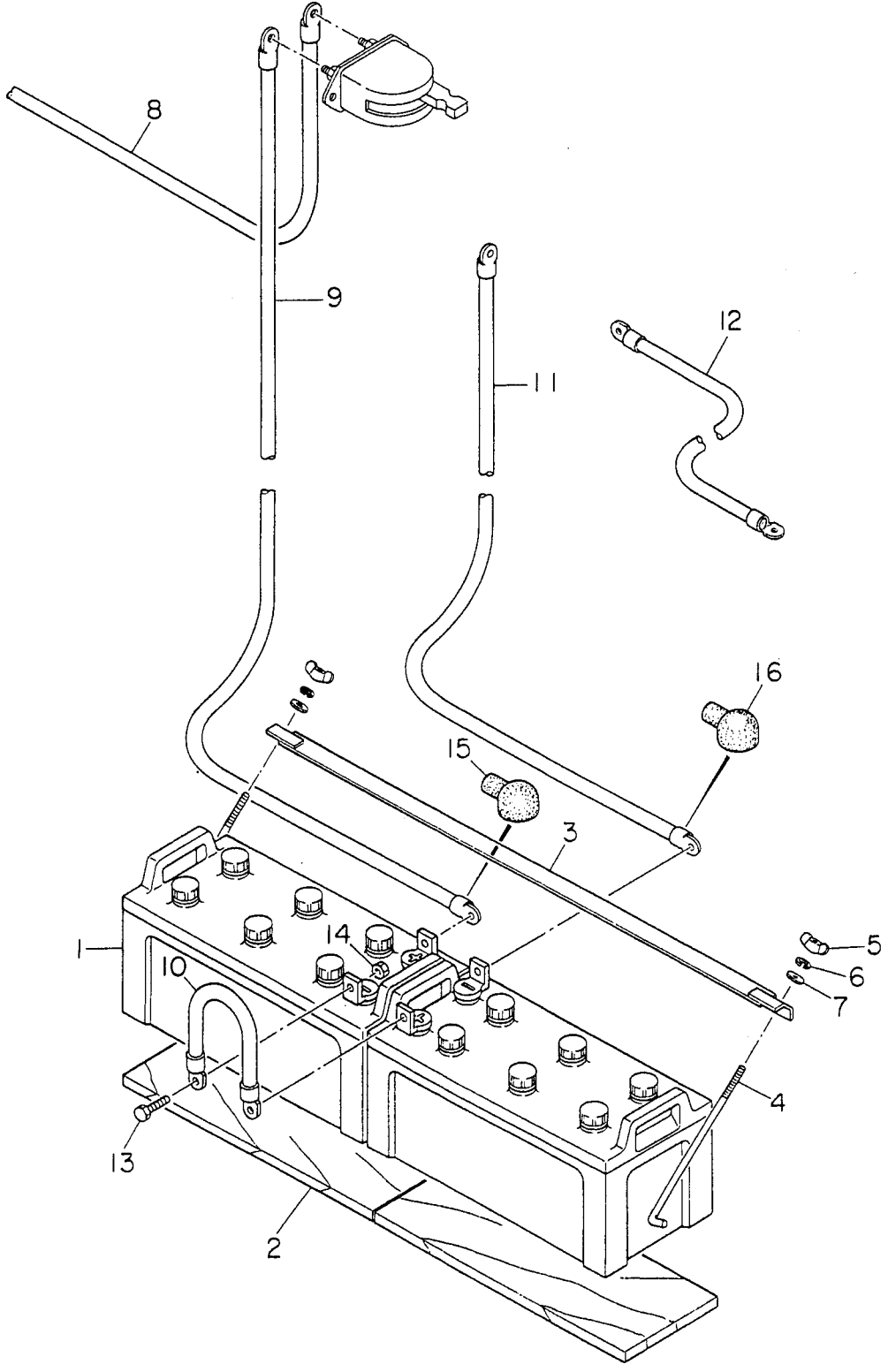
- | | |
|-----------------|----------------------|
| 1-ORANGE | 6-CATERPILLAR YELLOW |
| 2-WHITE | 7-CATO GOLD |
| 3-SPECTRUM GREY | 8-RED |
| 4-SUNBELT GREEN | 9-DESERT TAN |
| 5-BLACK | |

THE SERIAL NUMBER MAY BE REQUIRED.

OUTPUT TERMINAL ASSY.

<u>NO.</u>	<u>PART NO.</u>	<u>PART NAME</u>	<u>QTY.</u>	<u>REMARKS</u>
1	8221860203	SET BOARD, OUTPUT TERMINAL	1	
2	0801830404	OUTPUT TERMINAL	8	
3	0801830904	HEX, HEAD BOLT	8	
4	0039320000	HEX, NUT	16	
5	0040020000	SPRING WASHER	24	
6	0041420000	PLAIN WASHER	32	
7	3501860604	TERMINAL PLATE	3	
8	0019110050	HEX, HEAD BOLT	5	
8A	0042310000	SPRING WASHER	5	
8B	0042410000	PLAIN WASHER	5	
9	0601808803	CIRCUIT BREAKER, 20A	2	
10	0601808804	CIRCUIT BREAKER, 50A	3	
11	C3261600704	BRACKET, CIRCUIT BREAKER	1	
11-1	0221200150	RUBBER CUSHION	1	
12	0017106020	HEX, HEAD BOLT	2	
13	0601812598	RECEPTACLE, GF-530EM	2	
14	0601812565	RECEPTACLE, CS-6369	3	
15	0027104016	MACHINE SCREW	10	
15A	0030004000	HEX, NUT	10	
15B	0041204000	PLAIN WASHER	10	
16	C3238100003	COVER, OUTPUT TERMINAL	1	
17	0019112045	HEX, HEAD BOLT	2	
18	0042412000	PLAIN WASHER	2	
19	0805015604	STAY RUBBER	2	
20	0205012000	HEX, NUT	2	
21	0845043704	SPRING	2	
22	C3237100404	COVER	1	
23	0017108020	HEX, HEAD BOLT	7	
24	C0237101504	COVER, OUTPUT TERMINAL	1	
25	0017110040	HEX, HEAD BOLT	2	
26	0845054204	COLLAR	2	
27	0805015604	STAY RUBBER	1	
28	0601815324	TERMINAL BOARD	1	
29	0027104020	MACHINE SCREW	2	
30	0601850275	GROMMET	1	
31	0601851780	GROMMET	2	
32	C2237101504	COVER	1	
33	C2237400104	BRACKET	1	
34	0017106020	HEX, HEAD BOLT	2	

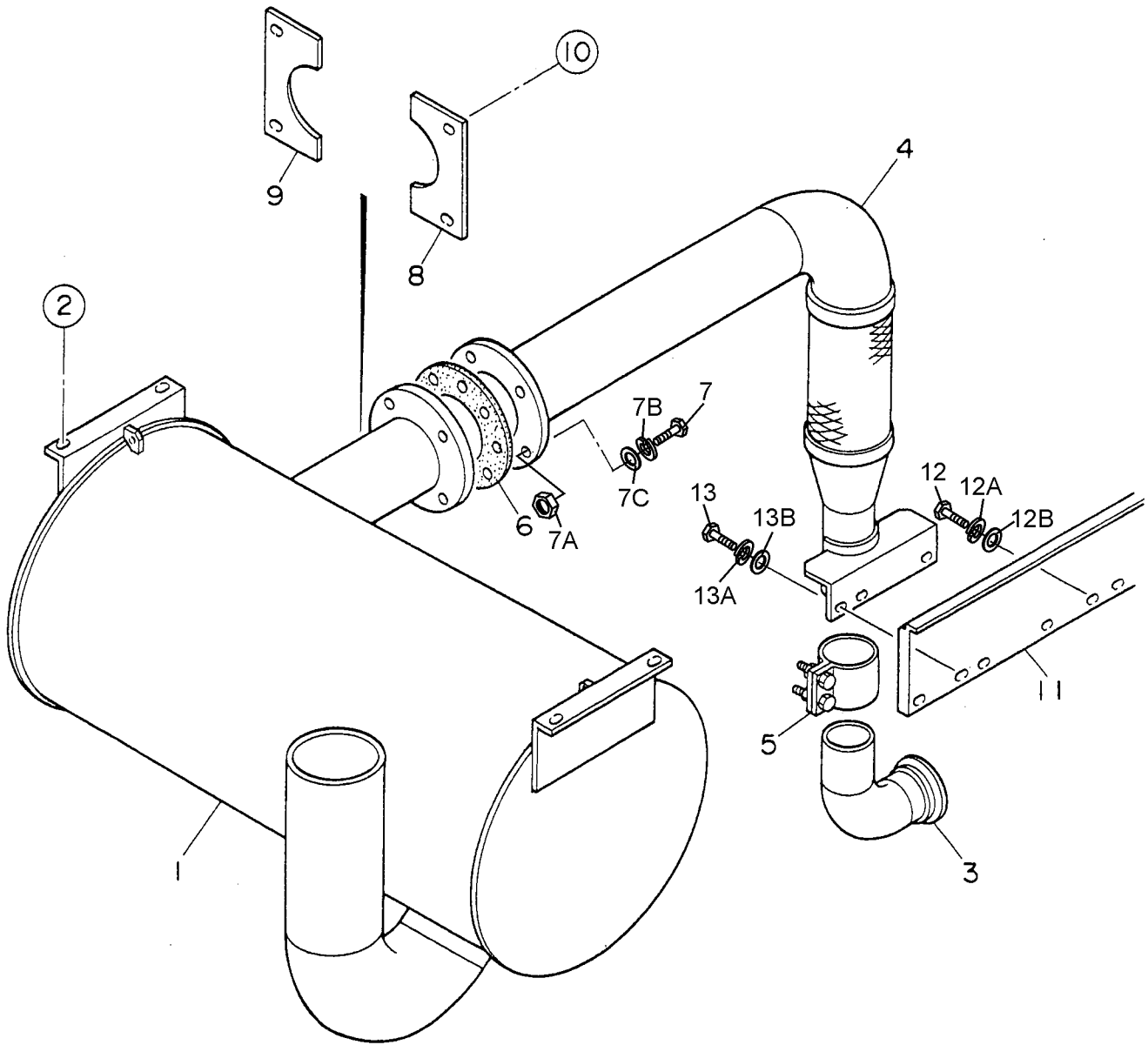
BATTERY ASSY.



BATTERY ASSY.

<u>NO.</u>	<u>PART NO.</u>	<u>PART NAME</u>	<u>QTY.</u>	<u>REMARKS</u>
1	0168614551	BATTERY	2	
2	0805000804	BATTERY SHEET	2	
3	3972250004	BATTERY BAND	1	
4	0805002904	BATTERY BOLT	2	
5	0037808000	WING NUT	2	
6	0040008000	SPRING WASHER	2	
7	0041208000	PLAIN WASHER	2	
8	E6348600304	BATTERY CABLE	1	
9	C3347601704	BATTERY CABLE	1	
10	C3347601504	BATTERY CABLE	1	
11	C3347200304	BATTERY CABLE	1	
12	C3347200204	EARTH CABLE	1	
13	0347010030	HEX, HEAD BOLT	4	
14	0208110000	HEX, NUT	4	
15	0845040414	TERMINAL CAP(+)	2	
16	0845041304	TERMINAL CAP(-)		

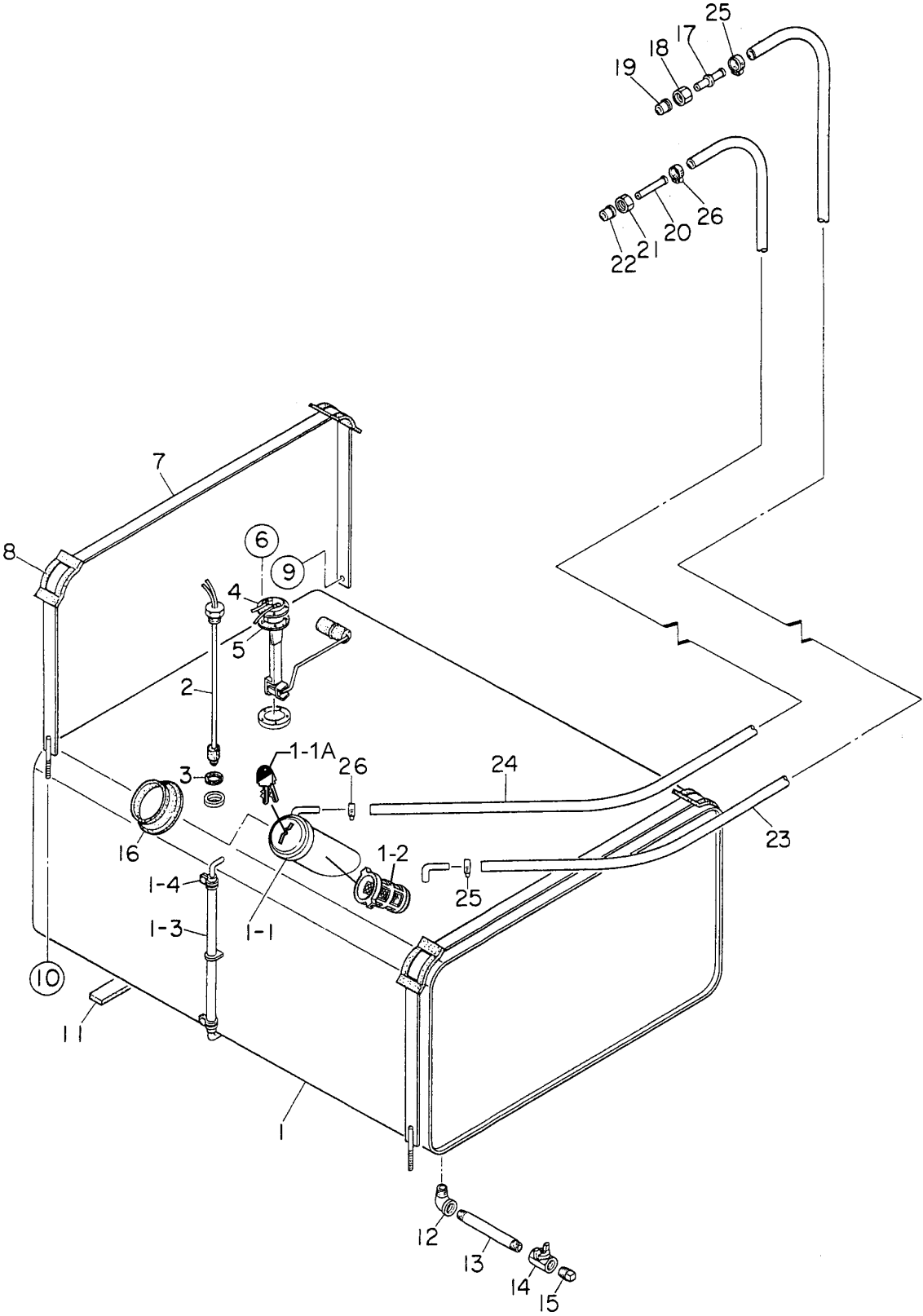
MUFFLER ASSY.



MUFFLER ASSY.

<u>NO.</u>	<u>PART NO.</u>	<u>PART NAME</u>	<u>QTY.</u>	<u>REMARKS</u>
1	C3331100502	MUFFLER	1	
2	0019210025	HEX, HEAD BOLT	4	
3	C3334000703	EXHAUST PIPE	1	
4	C3334000803	EXHAUST PIPE	1	
5	0602325085	SEAL CLAMP	1	
6	C3334200804	GASKET	1	
7	0010316070	HEX, HEAD BOLT	4	
7A	0030316000	HEX, NUT	4	
7B	0042516000	SPRING WASHER	4	
7C	0041216000	PLAIN WASHER	8	
8	C3331300404	COVER	1	
9	C3331300504	COVER	1	
10	0019208020	HEX, HEAD BOLT	4	
11	C3484100014	COVER	1	
12	0010310025	HEX, HEAD BOLT	4	
12A	0042510000	SPRING WASHER	4	
12B	0041210000	PLAIN WASHER	4	
13	0010310030	HEX, HEAD BOLT	3	
13A	0042510000	SPRING WASHER	3	
13B	0041210000	PLAIN WASHER	3	

FUEL TANK ASSY.



FUEL TANK ASSY.

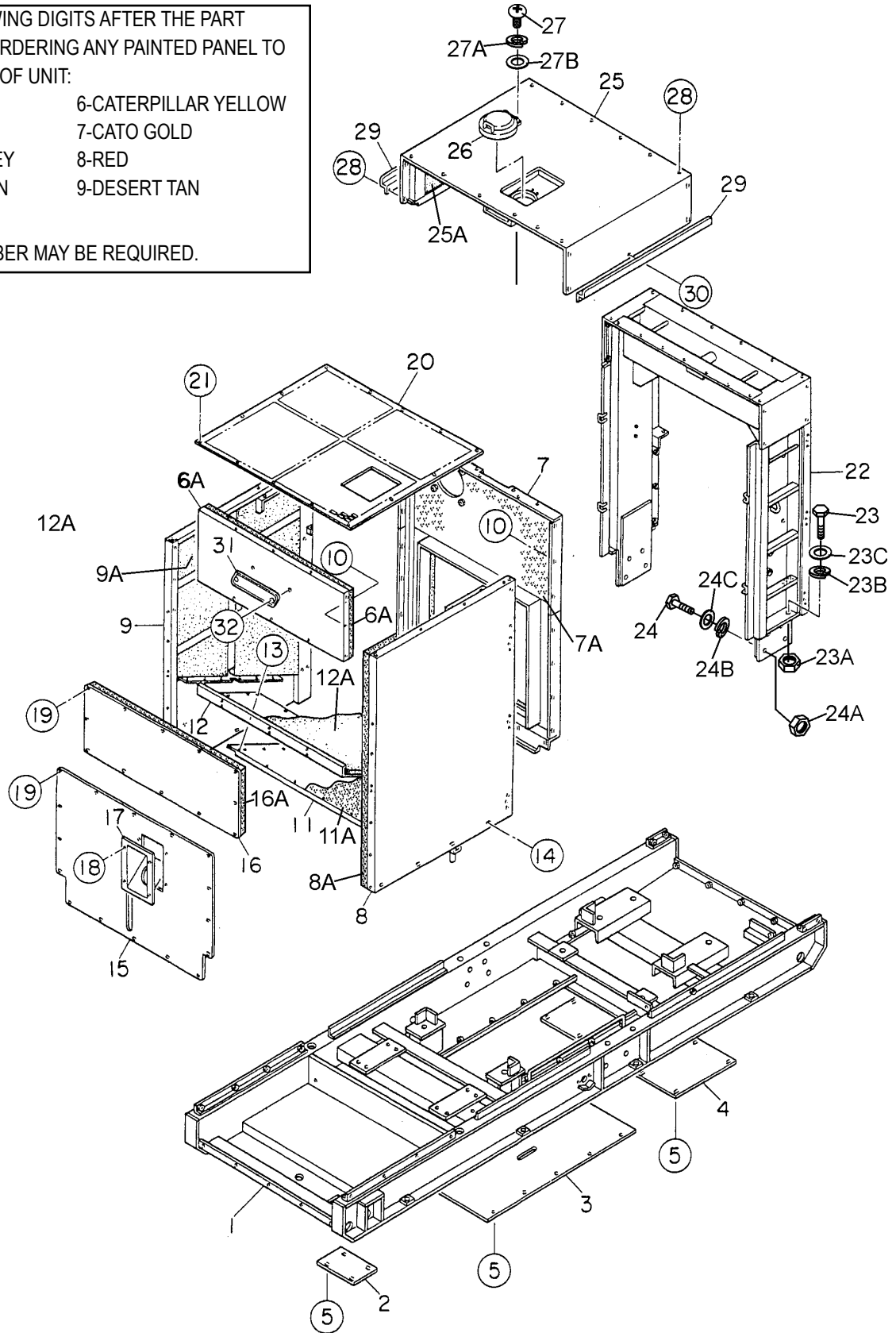
<u>NO.</u>	<u>PART NO.</u>	<u>PART NAME</u>	<u>QTY.</u>	<u>REMARKS</u>
1	C3364001703	FUEL TANK	1	
1-1	0605505005	CAP, FUEL TANK	1	
1-1A	0601850505	KEY	1	
1-2	0810105400	FUEL FILTER	1	
1-3	0264100425	HOSE, FUEL GAUGE	1	
1-4	0605515079	HOSE BAND	2	
2	0605503020	FUEL SENSOR	1	
3	0802120604	PACKING	1	
4	0605501050	UNIT, FUEL	1	
5	0602021155	PACKING	1	
6	0022905015	MACHINE SCREW	5	
7	8225523104	TANK BAND	2	
8	0805003414	PAD, TANK BAND	4	
9	0017108020	HEX, HEAD BOLT	2	
10	0207308000	HEX, NUT	2	
11	0222100300	TANK SHEET	6	
12	0130206000	STREET ELBOW, 1/2"	1	
13	3515512014	DRAIN PIPE	1	
14	0603325011	VALVE, 1/2"	1	
15	0132006000	PLUG, 1/2"	1	
16	0845039604	RUBBER SEAL	1	
17	C3367200204	JOINT PIPE	1	
18	V956984	NUT.....	1	REPLACES P/N 0603303070
19	V980782	SLEEVE.....	1	REPLACES P/N 0603302070
20	C3367300104	JOINT PIPE	1	
21	V956983	NUT.....	1	REPLACES P/N 0603303071
22	V956969	SLEEVE.....	1	REPLACES P/N 0603302071
23	0191403650	SUCTION HOSE	1	
24	0191303950	RETURN HOSE	1	
25	0605515132	HOSE BAND	2	
26	0605515121	HOSE BAND	2	

ENCLOSURE #1 ASSY.

ADD THE FOLLOWING DIGITS AFTER THE PART NUMBER WHEN ORDERING ANY PAINTED PANEL TO INDICATE COLOR OF UNIT:

- | | |
|-----------------|----------------------|
| 1-ORANGE | 6-CATERPILLAR YELLOW |
| 2-WHITE | 7-CATO GOLD |
| 3-SPECTRUM GREY | 8-RED |
| 4-SUNBELT GREEN | 9-DESERT TAN |
| 5-BLACK | |

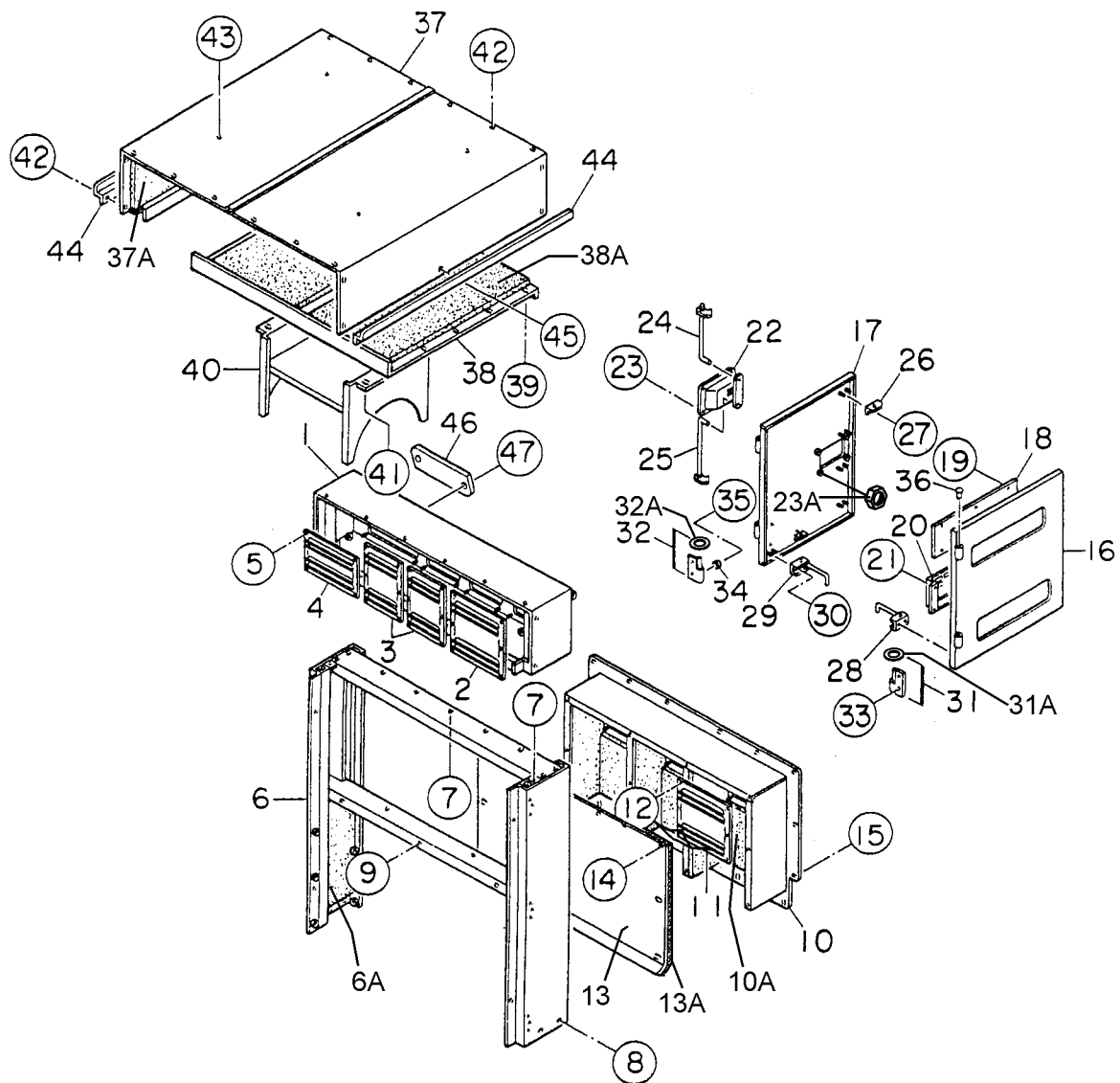
THE SERIAL NUMBER MAY BE REQUIRED.



ENCLOSURE #1 ASSY.

<u>NO.</u>	<u>PART NO.</u>	<u>PART NAME</u>	<u>QTY.</u>	<u>REMARKS</u>
1	C3414002802	BASE	1	
2	C3414100104	CAP, FUEL TANK	1	
3	C3414100704	FLOOR PANEL	1	
4	C3414100604	FLOOR PANEL	1	
5	0019208020	HEX, HEAD BOLT	26	
6	C3424001204	FRONT FRAME	1	
6A	C3494102103	LINING	1	
7	C3424002713	FRONT FRAME	1	
7A	C3494102103	LINING	1	
8	C3424002802	FRONT FRAME	1	
8A	C3494102103	LINING	1	
9	C3424002902	FRONT FRAME	1	
9A	C3494102103	LINING	1	
10	0019208020	HEX, HEAD BOLT	20	
11	C3424300803	GUIDE PANEL, AIR	1	
11A	C3494102103	LINING	1	
12	C3424300303	GUIDE PANEL, AIR	1	
12A	C3494102103	LINING	1	
13	0019208020	HEX, HEAD BOLT	24	
14	0019210025	HEX, HEAD BOLT	8	
15	C3424201403	COVER, FRONT FRAME	1	
16	C3424202504	COVER, FRONT FRAME	1	
16A	C3494102404	LINING	1	
17	0845042703	FILLER BRACKET	1	
18	0019208020	HEX, HEAD BOLT	4	
19	0019208020	HEX, HEAD BOLT	28	
20	C3424202603	COVER, FROM FRAME	1	
21	0019208020	HEX, HEAD BOLT	14	
22	C3434001002	CENTER FRAME	1	
23	0010120070	HEX, HEAD BOLT	4	
23A	0030020000	HEX, NUT	4	
23B	0040020000	SPRING WASHER	4	
23C	0041220000	PLAIN WASHER	8	
24	0010120060	HEX, HEAD BOLT	8	
24A	0030020000	HEX, NUT	8	
24B	0040020000	SPRING WASHER	8	
24C	0041220000	PLAIN WASHER	16	
25	C3464100802	ROOF PANEL	1	
25A	C3494501604	LINING	1	
26	0800251701	FILLER COVER	1	
27	0025006016	MACHINE SCREW	2	
27A	0042306000	SPRING WASHER	2	
27B	0042406000	PLAIN WASHER	2	
28	0019208020	HEX, HEAD BOLT	20	
29	C3464501504	GUTTER	2	
30	0019208020	HEX, HEAD BOLT	2	
31	0600500090	EMBLEM	1	
32	0021106016	MACHINE SCREW	2	

ENCLOSURE #2 ASSY.



ADD THE FOLLOWING DIGITS AFTER THE PART NUMBER WHEN ORDERING ANY PAINTED PANEL TO INDICATE COLOR OF UNIT:

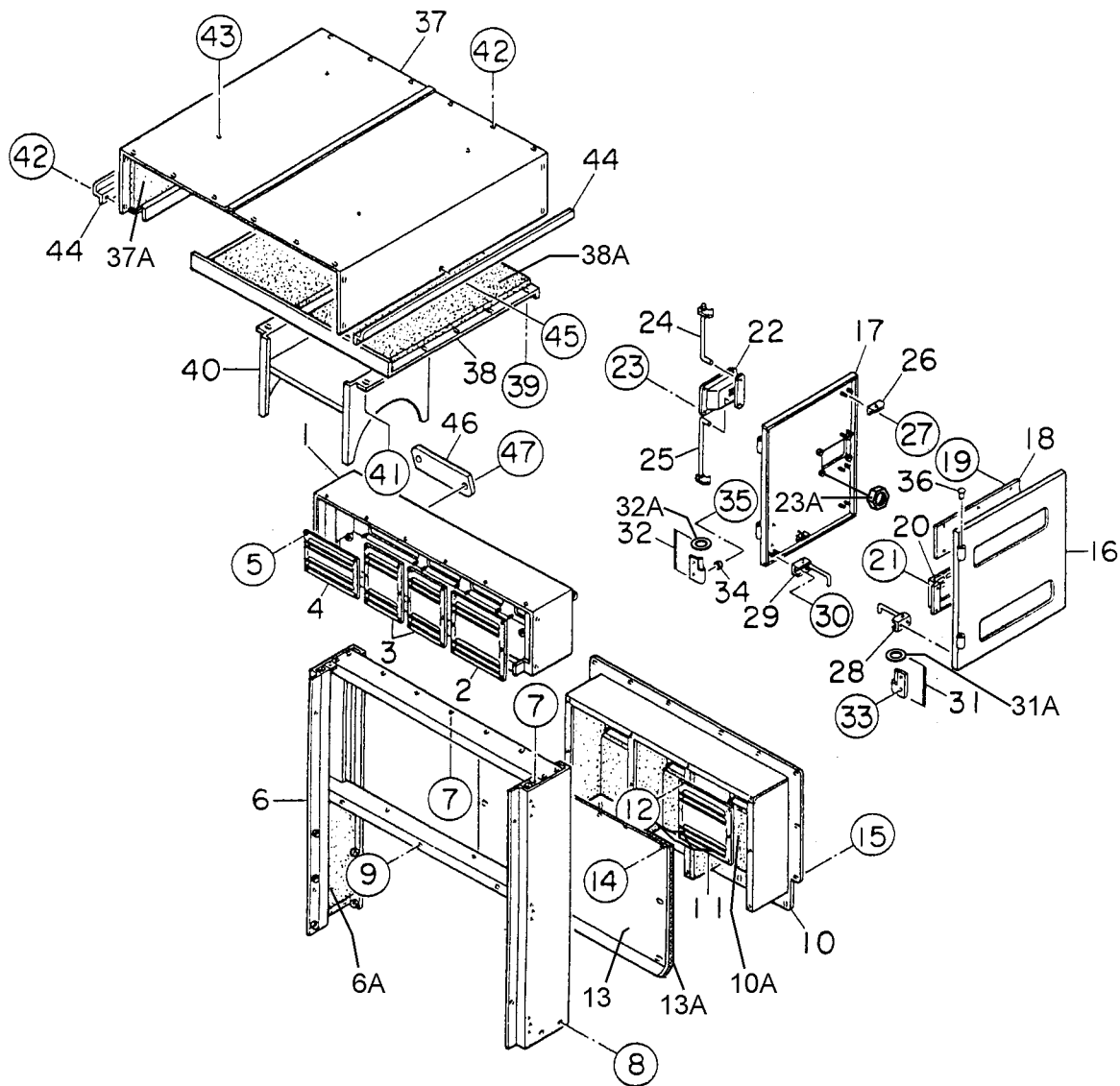
- | | |
|-----------------|----------------------|
| 1-ORANGE | 6-CATERPILLAR YELLOW |
| 2-WHITE | 7-CATO GOLD |
| 3-SPECTRUM GREY | 8-RED |
| 4-SUNBELT GREEN | 9-DESERT TAN |
| 5-BLACK | |

THE SERIAL NUMBER MAY BE REQUIRED.

ENCLOSURE #2 ASSY.

<u>NO.</u>	<u>PART NO.</u>	<u>PART NAME</u>	<u>QTY.</u>	<u>REMARKS</u>
1	C3444002203	REAR FRAME	1	
2	8195151204	LOUVER PANEL	1	
3	C3454700104	LOUVER PANEL	2	
4	8175151204	LOUVER PANEL	1	
5	0207006000	HEX, NUT	22	
6	C3444001702	REAR FRAME	1	
6A	8225940104	LINING	1	
7	0017108020	HEX, HEAD BOLT	11	
8	0019210025	HEX, HEAD BOLT	4	
9	0017110025	HEX, HEAD BOLT	3	
10	C3444302203	COVER, REAR FRAME	1	
10A	C3494302004	LINING	1	
11	8195151004	LOUVER PANEL	3	
12	0207006000	HEX, NUT	18	
13	C3444302104	DUCT COVER	1	
13A	C3491400004	LINING	1	
14	0017108020	HEX, HEAD BOLT	12	
15	0019208020	HEX, HEAD BOLT	15	
16	C3444200503	DOOR, REAR FRAME	1	
17	C3444200903	DOOR, REAR FRAME	1	
18	8225147004	WINDOW PLATE	2	
19	0037906000	HEX, NUT	12	
20	B9114500104	DOOR POCKET	1	
21	0207006000	HEX, NUT	4	
22	B9114000102	DOOR HANDLE	1	
23	0021806015	MACHINE SCREW	4	
23A	0030006000	HEX, NUT	4	
24	8225146204	DOOR ROD	1	
25	8225146304	DOOR ROD	1	

ENCLOSURE #2 ASSY. (CONT'D.)



ADD THE FOLLOWING DIGITS AFTER THE PART NUMBER WHEN ORDERING ANY PAINTED PANEL TO INDICATE COLOR OF UNIT.

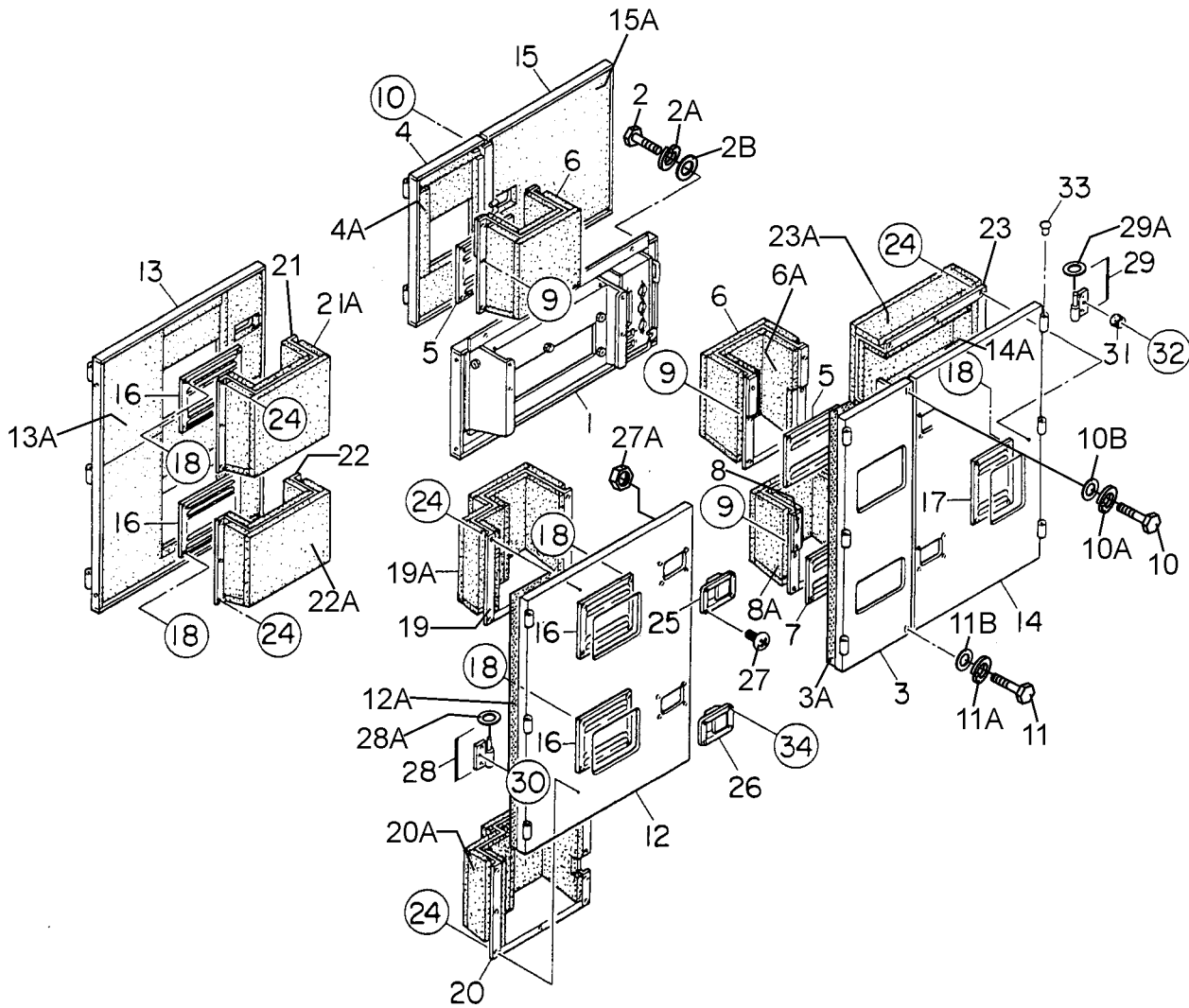
- | | |
|-----------------|----------------------|
| 1-ORANGE | 6-CATERPILLAR YELLOW |
| 2-WHITE | 7-CATO GOLD |
| 3-SPECTRUM GREY | 8-RED |
| 4-SUNBELT GREEN | 9-DESERT TAN |
| 5-BLACK | |

THE SERIAL NUMBER MAY BE REQUIRED.

ENCLOSURE #2 ASSY. (CONT'D.)

<u>NO.</u>	<u>PART NO.</u>	<u>PART NAME</u>	<u>QTY.</u>	<u>REMARKS</u>
26	0845050704	STAY	4	
27	0207006000	HEX, NUT	8	
28	0805011304	STOPPER, DOOR	1	
29	0805011204	STOPPER, DOOR	1	
30	0207006000	HEX, NUT	4	
31	0845047104	HINGE	2	
31A	0845045004	WASHER	2	
32	0845047204	HINGE	2	
32A	0845045004	WASHER	2	
33	0019208020	HEX, HEAD BOLT	6	
34	0601850097	STOPPER	2	
35	0025408025	MACHINE SCREW	2	
36	0845031504	CAP	4	
37	C3464200702	ROOF PANEL	1	
37A	C3494501304	LINING	1	
38	C3464501204	COVER, ROOF PANEL	1	
38A	C3494501404	LINING	1	
39	0017108020	HEX, HEAD BOLT	15	
40	C3374200003	COVER, AIR CLEANER	1	
41	0017108020	HEX, HEAD BOLT	6	
42	0019208020	HEX, HEAD BOLT	20	
43	0019210025	HEX, HEAD BOLT	4	
44	C3464501604	GUTTER	2	
45	0019208020	HEX, HEAD BOLT	2	
46	0600500090	EMBLEM	1	
47	0021106016	MACHINE SCREW	2	

ENCLOSURE #3 ASSY.



ADD THE FOLLOWING DIGITS AFTER THE PART NUMBER WHEN ORDERING ANY PAINTED PANEL TO INDICATE COLOR OF UNIT:

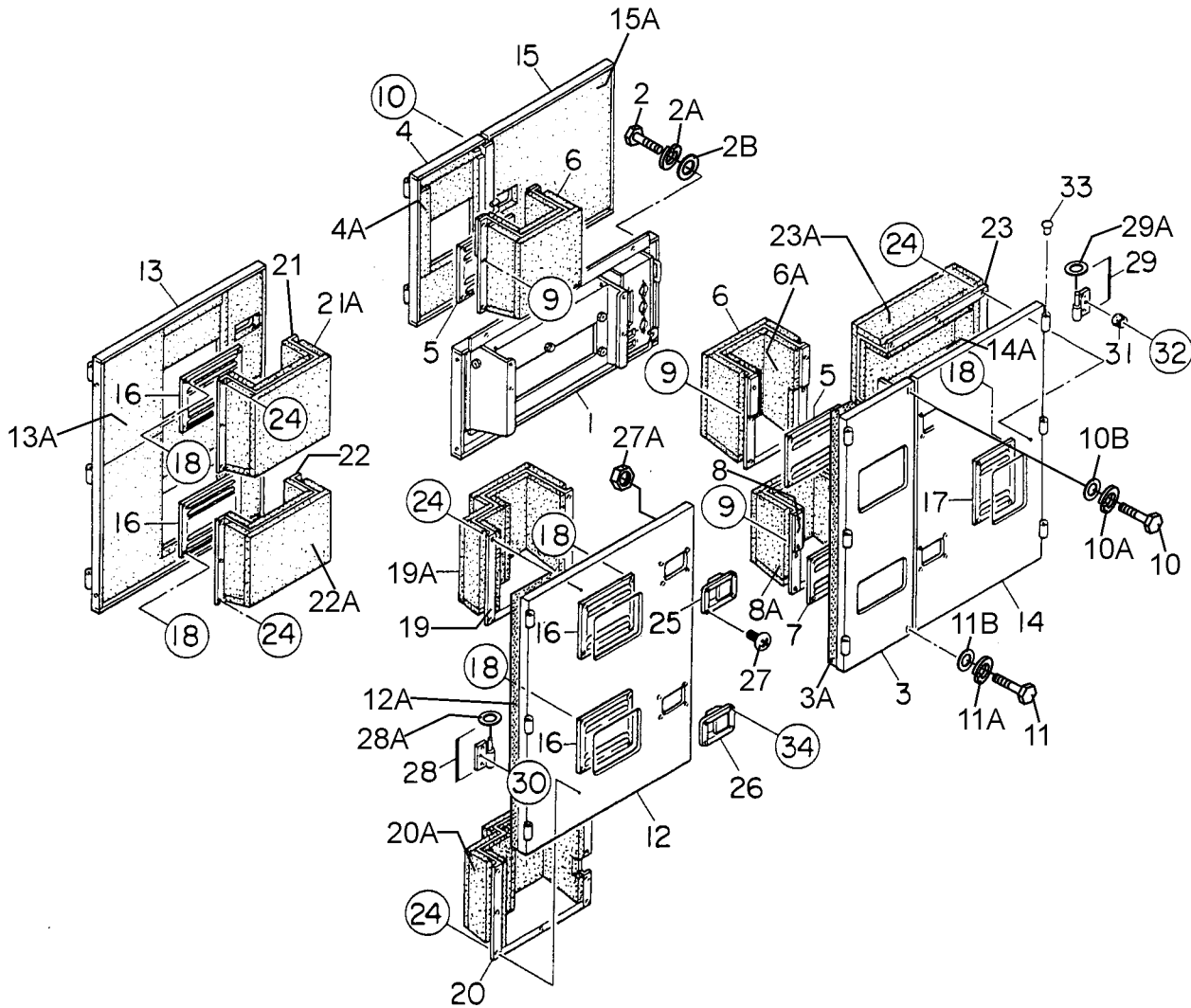
- | | |
|-----------------|----------------------|
| 1-ORANGE | 6-CATERPILLAR YELLOW |
| 2-WHITE | 7-CATO GOLD |
| 3-SPECTRUM GREY | 8-RED |
| 4-SUNBELT GREEN | 9-DESERT TAN |
| 5-BLACK | |

THE SERIAL NUMBER MAY BE REQUIRED.

ENCLOSURE #3 ASSY.

<u>NO.</u>	<u>PART NO.</u>	<u>PART NAME</u>	<u>QTY.</u>	<u>REMARKS</u>
1	C3454202902	SPLASHER PANEL	4	
2	0019108065	HEX, HEAD BOLT	6	
2A	0042308000	SPRING WASHER	6	
2B	0042408000	PLAIN WASHER	6	
3	C3454102603	SIDE PANEL	1	
3A	C3494409304	LINING	1	
4	C3454102703	SIDE PANEL	1	
4A	C3494409404	LINING	1	
5	C3454700604	LOUVER PANEL	2	
6	C3454303604	DUCT	2	
6A	C3494410504	LINING	2	
7	C3454700504	LOUVER PANEL	1	
8	C3454303704	DUCT	1	
8A	C3494410604	LINING	1	
9	0207006000	HEX, NUT	23	
10	0019108065	HEX, HEAD BOLT	3	
10A	0042308000	SPRING WASHER	3	
10B	0042408000	PLAIN WASHER	3	
11	0019108055	HEX, HEAD BOLT	1	
11A	0042308000	SPRING WASHER	1	
11B	0042408000	PLAIN WASHER	1	
12	C3454004903	SIDE DOOR	1	
12A	C3494409604	LINING	1	
13	C3454005003	SIDE DOOR	1	
13A	C3494409704	LINING	1	
14	C3454005103	SIDE DOOR	1	
14A	C3494410004	LINING	1	
15	C3454005203	SIDE DOOR	1	
15A	C3494402704	LINING	1	

ENCLOSURE #3 ASSY. (CONT'D.)



ADD THE FOLLOWING DIGITS AFTER THE PART NUMBER WHEN ORDERING ANY PAINTED PANEL TO INDICATE COLOR OF UNIT:

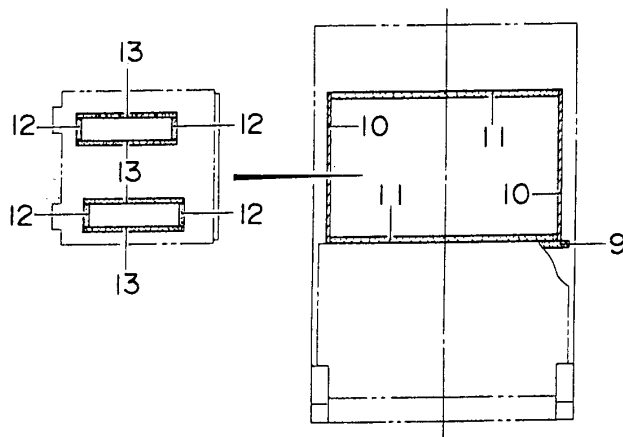
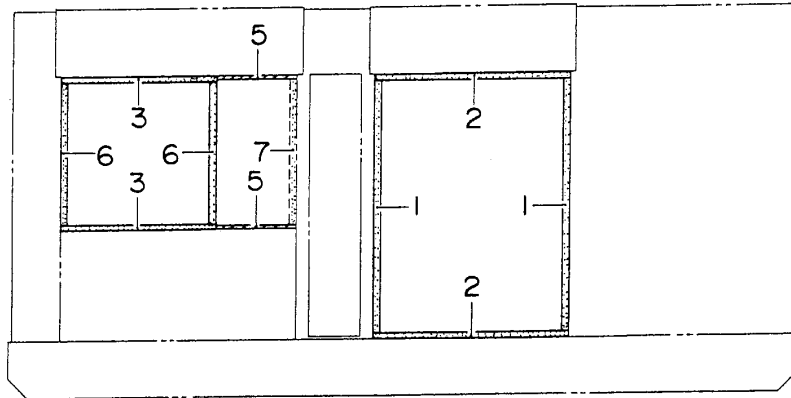
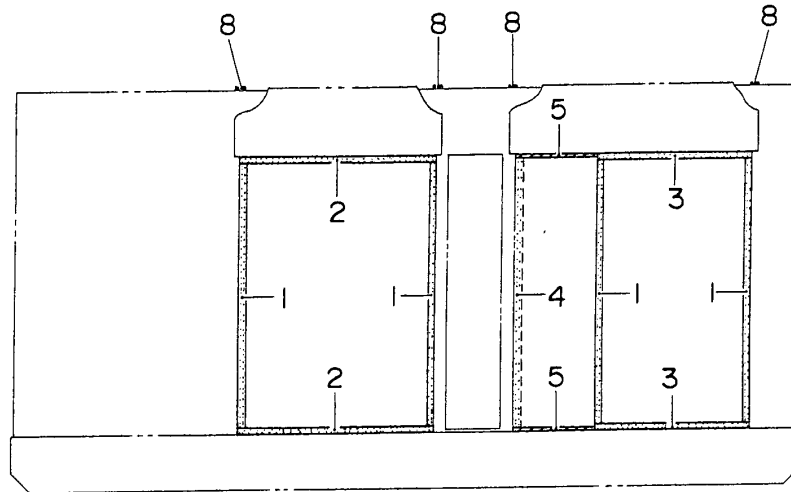
- | | |
|-----------------|----------------------|
| 1-ORANGE | 6-CATERPILLAR YELLOW |
| 2-WHITE | 7-CATO GOLD |
| 3-SPECTRUM GREY | 8-RED |
| 4-SUNBELT GREEN | 9-DESERT TAN |
| 5-BLACK | |

THE SERIAL NUMBER MAY BE REQUIRED.

ENCLOSURE #3 ASSY. (CONT'D.)

<u>NO.</u>	<u>PART NO.</u>	<u>PART NAME</u>	<u>QTY.</u>	<u>REMARKS</u>
16	8195151004	LOUVER PANEL	4	
17	3875151304	LOUVER PANEL	1	
18	0207006000	HEX, NUT	30	
19	C3454303104	DUCT	1	
19A	C3494409804	LINING	1	
20	C3454303204	DUCT	1	
20A	C3494409904	LINING	1	
21	C3454303304	DUCT	1	
21A	C3494410304	LINING	1	
22	C3454303404	DUCT	1	
22A	C3494410404	LINING	1	
23	C3454303504	DUCT	1	
23A	C3494410104	LINING	1	
24	0207006000	HEX, NUT	36	
25	B9114000002	DOOR HANDLE	4	
26	0825007362	DOOR HANDLE	3	
27	0021806015	MACHINE SCREW	16	
27A	0030006000	HEX, NUT	16	
28	0845046904	HINGE	8	
28A	0845045004	WASHER	8	
29	0845047004	HINGE	8	
29A	0845045004	WASHER	8	
30	0019208020	HEX, HEAD BOLT	38	
31	0601850097	STOPPER	10	
32	0025408025	MACHINE SCREW	10	
33	0845031504	CAP	16	
34	0021806015	MACHINE SCREW	12	

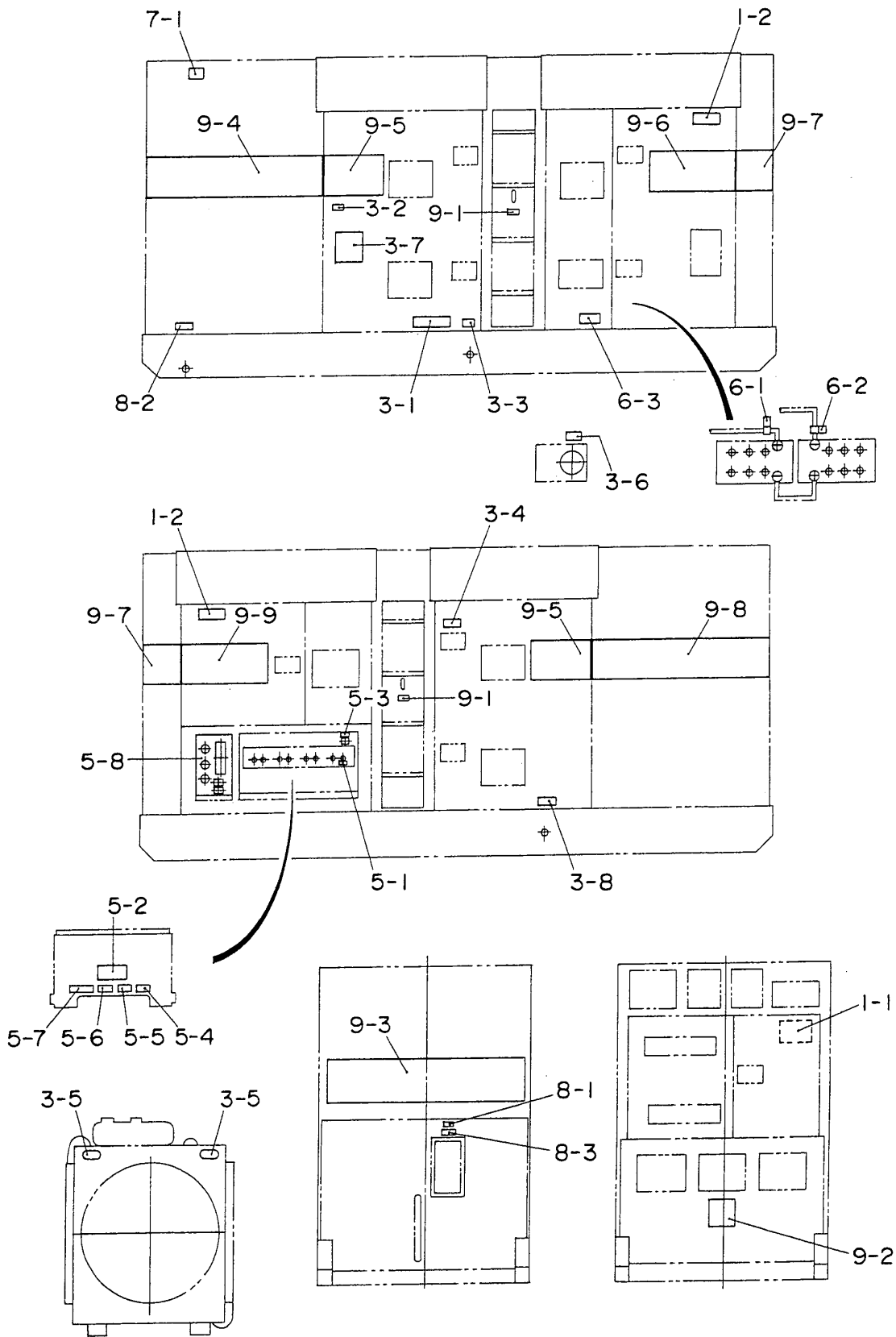
RUBBER SEALS ASSY.



RUBBER SEALS ASSY.

<u>NO.</u>	<u>PART NO.</u>	<u>PART NAME</u>	<u>QTY.</u>	<u>REMARKS</u>
1	0228901390	RUBBER SEAL	6	
2	0228901075	RUBBER SEAL	4	
3	0228900825	RUBBER SEAL	4	
4	0228901410	RUBBER SEAL	1	
5	0228800445	RUBBER SEAL	4	
6	0228900790	RUBBER SEAL	2	
7	0228900810	RUBBER SEAL	1	
8	0229201400	RUBBER SEAL	4	
9	0229201340	RUBBER SEAL	1	
10	0221200795	RUBBER SEAL	2	
11	0228801240	RUBBER SEAL	2	
12	0228100120	RUBBER SEAL	4	
13	0228100510	RUBBER SEAL	4	

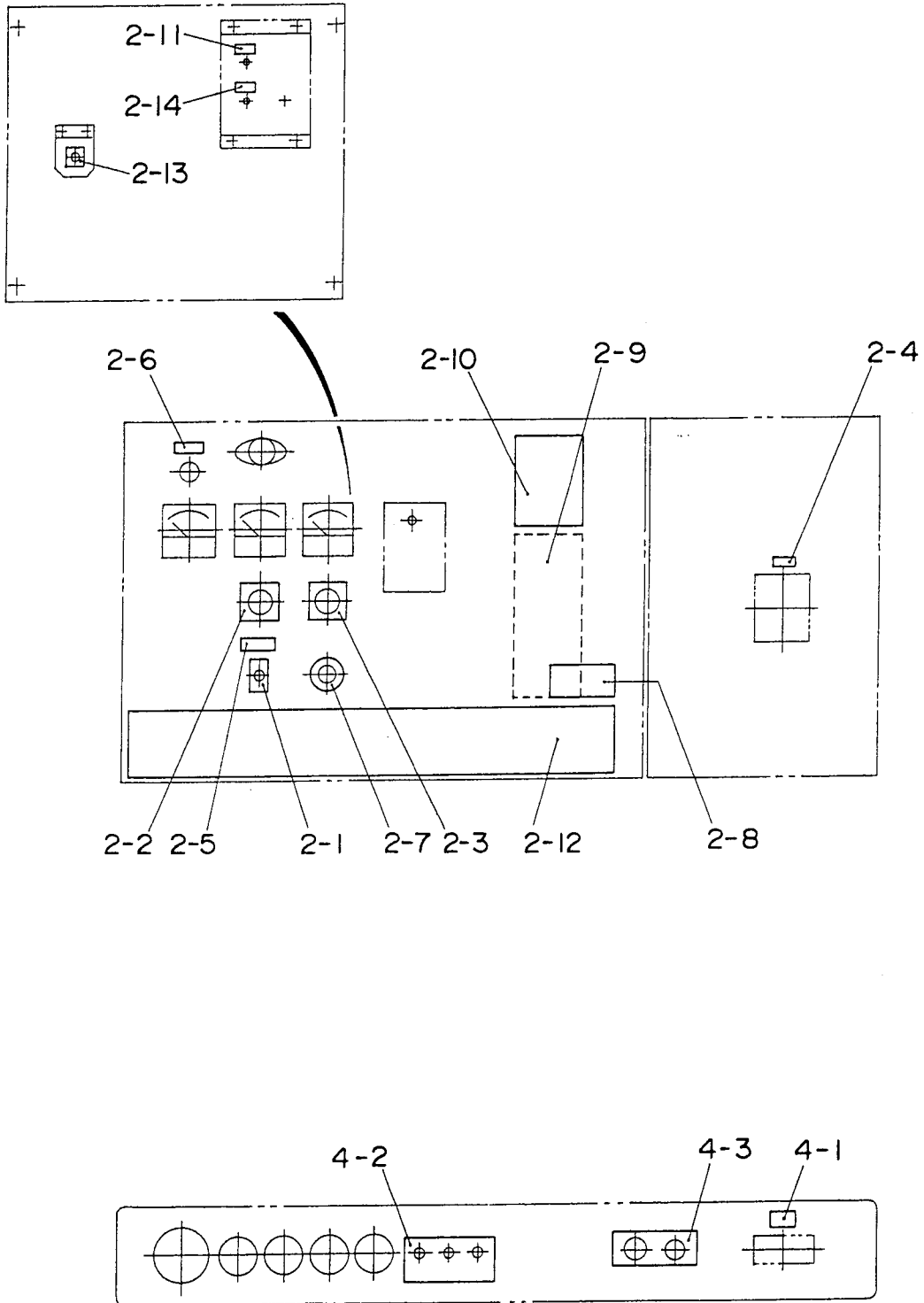
NAMEPLATE AND DECALS ASSY.



NAMEPLATE AND DECALS ASSY.

NO.	PART NO.	PART NAME	QTY.	REMARKS
1-1	C3551002303	DECAL; HANDLING PROCEDURES.....	1.....	C35100230
1-2	C9522100003	DECAL; CAUTION.....	2.....	C92210000
CONTROL BOX GROUP				
2-1	0800520100	PLATE; ON-OFF.....	1.....	AT-202
2-2	0800520904	PLATE; AMMETER CHANGE-OVER SWITCH.....	1.....	N-2438
2-3	0800520814	PLATE; VOLTMETER CHANGE-OVER SWITCH.....	1.....	N-2439
2-4	0840624504	DECAL; CIRCUIT BREAKER.....	1.....	S-3031
2-5	0840624604	DECAL; PANEL LIGHT SWITCH.....	1.....	S-3032
2-6	0840624704	DECAL; PILOT LAMP.....	1.....	S-3033
2-7	0840624804	DECAL; VOLTAGE REGULATOR.....	1.....	S-3034
2-8	B9531100604	DECAL; WARNING ELECTRIC SHOCK HAZARD.....	1.....	B93110060
2-9	C0551000903	DECAL; SETTING FOR OUTPUT VOLTAGE.....	1.....	C05100090
2-10	C2551000004	DECAL; SAFETY INSTRUCTION.....	1.....	C25100000
2-11	C3551001004	DECAL; DIAGNOSTIC LAMP.....	1.....	C35100100
2-12	C3561101803	DECAL; WHISPERWATT 400.....	1.....	C36110180
2-13	C9502400004	DECAL; HIGH IDLE SPEED.....	1.....	C90240000
2-14	Z0110001504	DECAL; RESET.....	1.....	Z01000150
ENGINE AND RADIATOR GROUP				
3-1	1320610603	DECAL; WATER-OIL.....	1.....	S-1760
3-2	6360610304	DECAL; WATER.....	1.....	S-1880
3-3	6360620204	DECAL; OIL DRAIN PLUG.....	1.....	S-1885
3-4	B9504000304	DECAL; CAUTION HOT PARTS.....	1.....	B90400030
3-5	B9504000404	DECAL; WARNING MOVING PARTS.....	2.....	B90400040
3-6	B9504100104	DECAL; WARNING HOT COOLANT.....	1.....	B90410010
3-7	C3551001303	DECAL; AIR BLEEDING PROCEDURE.....	1.....	C35100130
3-8	C3551002704	DECAL; COOLING WATER DRAIN PLUG.....	1.....	C35100270
ENGINE OPERATING PANEL GROUP				
4-1	C0551000504	DECAL; BATTERY SWITCH.....	1.....	C05100050
4-2	C3551002504	DECAL; ALARM LAMP.....	1.....	C35100250
4-3	C3551002604	DECAL; OPERATING PANEL.....	1.....	C35100260
OUTPUT TERMINAL GROUP				
5-1	0840614104	DECAL; GROUND.....	1.....	S-2635
5-2	0840619904	DECAL; DANGER HIGH VOLTAGE.....	1.....	S-2731
5-3	9039209064	DECAL; START CONTACT.....	1.....	S-4468
5-4	B9511100304	DECAL; WARNING.....	1.....	B91110030
5-5	B9511100404	DECAL; WARNING ELECTRIC SHOCK HAZARD.....	1.....	B91110040
5-6	B9531100504	DECAL; WARNING ELECTRIC SHOCK HAZARD.....	1.....	B93110050
5-7	C0551000404	DECAL; 3-PHASE OUTPUT TERMINAL.....	1.....	C05100040
5-8	C1551000803	DECAL; RECEPTACLE AND CIRCUIT BREAKER.....	1.....	C15100080

NAMEPLATE AND DECALS ASSY. CONT'D.



NAMEPLATE AND DECALS ASSY. CONT'D.

<u>NO.</u>	<u>PART NO.</u>	<u>PART NAME</u>	<u>QTY.</u>	<u>REMARKS</u>
BATTERY GROUP				
6-1	0800689404	DECAL; +	1.....	S-2090
6-2	0800689504	DECAL; -	1.....	S-2091
6-3	C9505300004	DECAL; CAUTION.....	1.....	C90530000
MUFFLER GROUP				
7-1	B9504200004	DECAL; WARNING ENGINE EXHAUST	1.....	B90420000
FUEL TANK GROUP				
8-1	1320620904	DECAL; DIESEL FUEL	1.....	S-1756
8-2	6360620004	DECAL; FUEL DRAIN PLUG.....	1.....	S-1883
8-3	B9504500004	DECAL; WARNING DIESEL FUEL.....	1.....	B90450000
ENCLOSURE GROUP				
9-1	1320621504	DECAL: SUPPORT HOOK.....	2.....	S-2257
9-2	0840625902	DECAL: MQ.....	1.....	S-3057
9-3	C3561101003	STRIPE	1	
9-4	C3561101703	STRIPE	1	
9-5	C3561101503	STRIPE	2	
9-6	C3561100803	STRIPE	1	
9-7	C3561100104	STRIPE	2	
9-8	C3561101603	STRIPE	1	
9-9	C3561100203	STRIPE	1	

PARTS MANUAL

HERE'S HOW TO GET HELP

PLEASE HAVE THE MODEL AND SERIAL
NUMBER ON HAND WHEN CALLING

UNITED STATES

Multiquip Inc.

(310) 537- 3700
6141 Katella Avenue Suite 200
Cypress, CA 90630
E-MAIL: mq@multiquip.com
WEBSITE: www.multiquip.com

CANADA

Multiquip

(450) 625-2244
4110 Industriel Boul.
Laval, Quebec, Canada H7L 6V3
E-MAIL: infocanada@multiquip.com

UNITED KINGDOM

Multiquip (UK) Limited Head Office

0161 339 2223
Unit 2, Northpoint Industrial Estate, Globe Lane,
Dukinfield, Cheshire SK16 4UJ
E-MAIL: sales@multiquip.co.uk

© COPYRIGHT 2024, MULTIQUIP INC.

Multiquip Inc, the MQ logo and the MQ Power logo are registered trademarks of Multiquip Inc. and may not be used, reproduced, or altered without written permission. All other trademarks are the property of their respective owners and used with permission.

This manual MUST accompany the equipment at all times. This manual is considered a permanent part of the equipment and should remain with the unit if resold.

The information and specifications included in this publication were in effect at the time of approval for printing. Illustrations, descriptions, references and technical data contained in this manual are for guidance only and may not be considered as binding. Multiquip Inc. reserves the right to discontinue or change specifications, design or the information published in this publication at any time without notice and without incurring any obligations.

Manufactured for
MQ Power Inc.
by
DENYO MANUFACTURING CORP.

