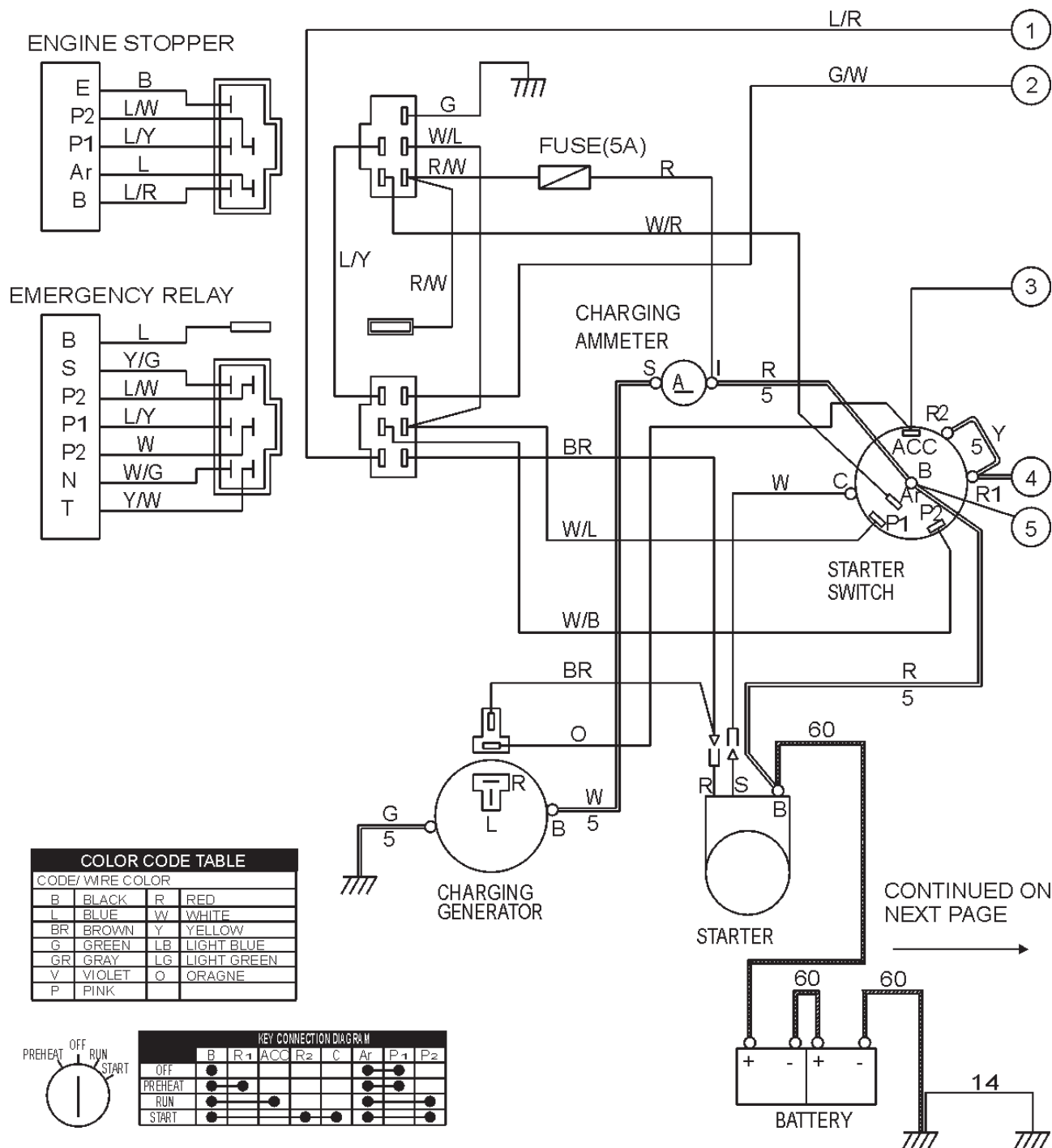


DCA-40SSI — SPECIFICATIONS

Table 7. Specifications		
Generator Specifications		
Model	DCA-40SSI	
Type	Revolving field, self ventilated, open protected type synchronous generator	
Armature Connection	Star with Neutral	Zig Zag
Phase	3	Single
Standby Output	47.7 KVA (38.2 KW)	27.6 KW
Prime Output	45 KVA (36 KW)	26 KW
Voltage	240V or 480V	240/120V
Frequency	60 Hz	
Speed	1800 rpm	
Power Factor	0.8	1
Aux. AC Power	Single Phase, 60 Hz	
Voltage	120 V	
Output	4.8 KW (2.4 KW x 2)	
Engine Specifications		
Model	ISUZU 4BD1	
Type	4 Cycle, water-cooled, direct injection	
No. of Cylinders	4 cylinders	
Bore x Stroke	4.13 in. x 4.92 in. (105 mm x 125 mm)	
Rated Output	55.2 HP/1800 rpm	
Displacement	268 cu. in. (4392 cc)	
Starting	Electric	
Coolant Capacity	5.3 gal. (20 liters)	
Lube Oil Capacity	3.4 gal. (12.9 liters)	
Fuel Consumption	2.7 gal. (10.3L)/hr at full load	2.0 gal. (7.6L)/hr at 3/4 load
	1.5 gal. (5.7L)/hr at 1/2 load	1.1 gal. (4.2L)/hr at 1/4 load
Battery	12V- 100AH	
Fuel	#2 Diesel Fuel	

DCA-40SSI — ENGINE WIRING DIAGRAM

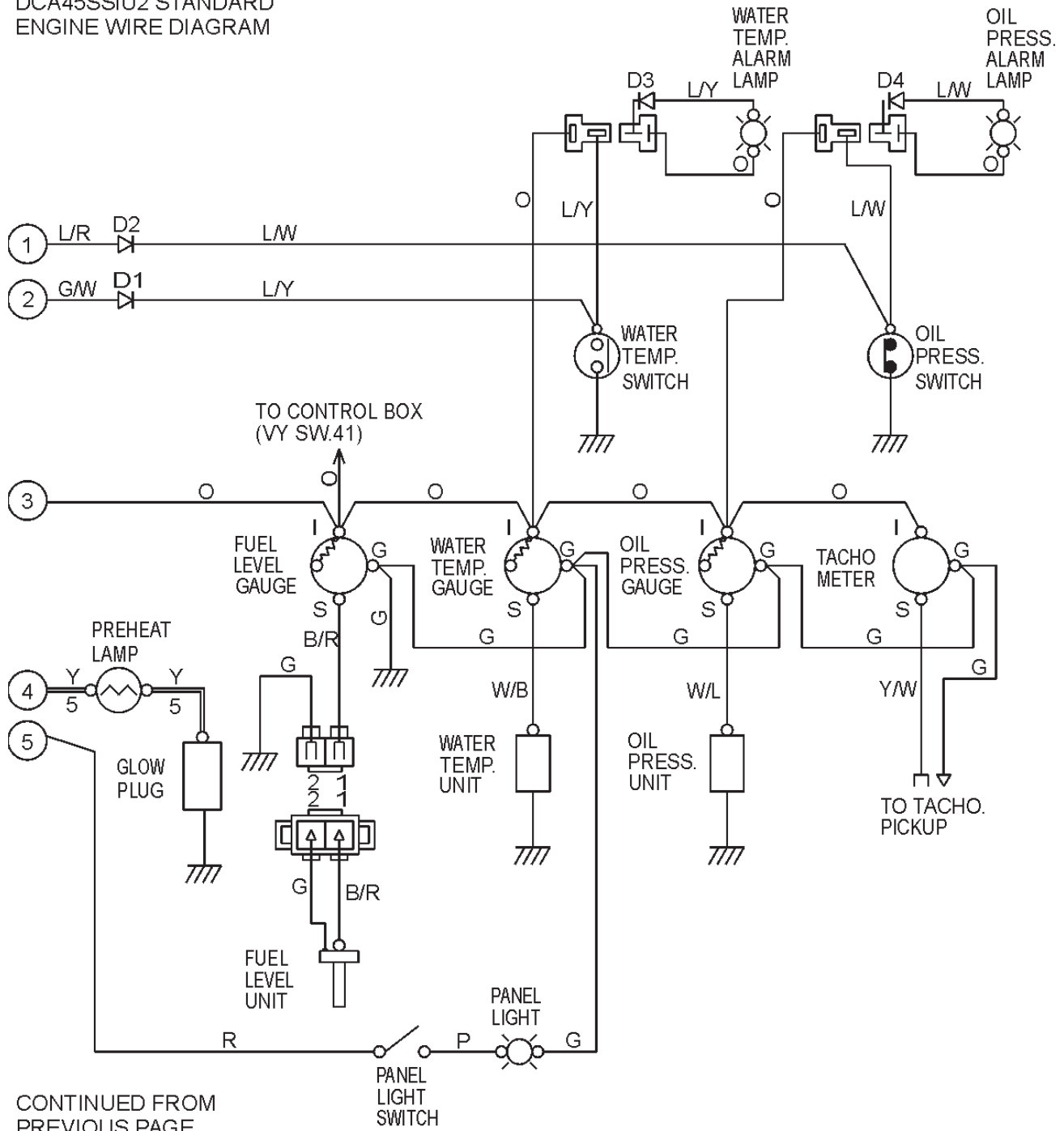
DCA45SSIU2 STANDARD
ENGINE WIRE DIAGRAM



CONTINUED ON
NEXT PAGE

DCA-40SSI — ENGINE WIRING DIAGRAM

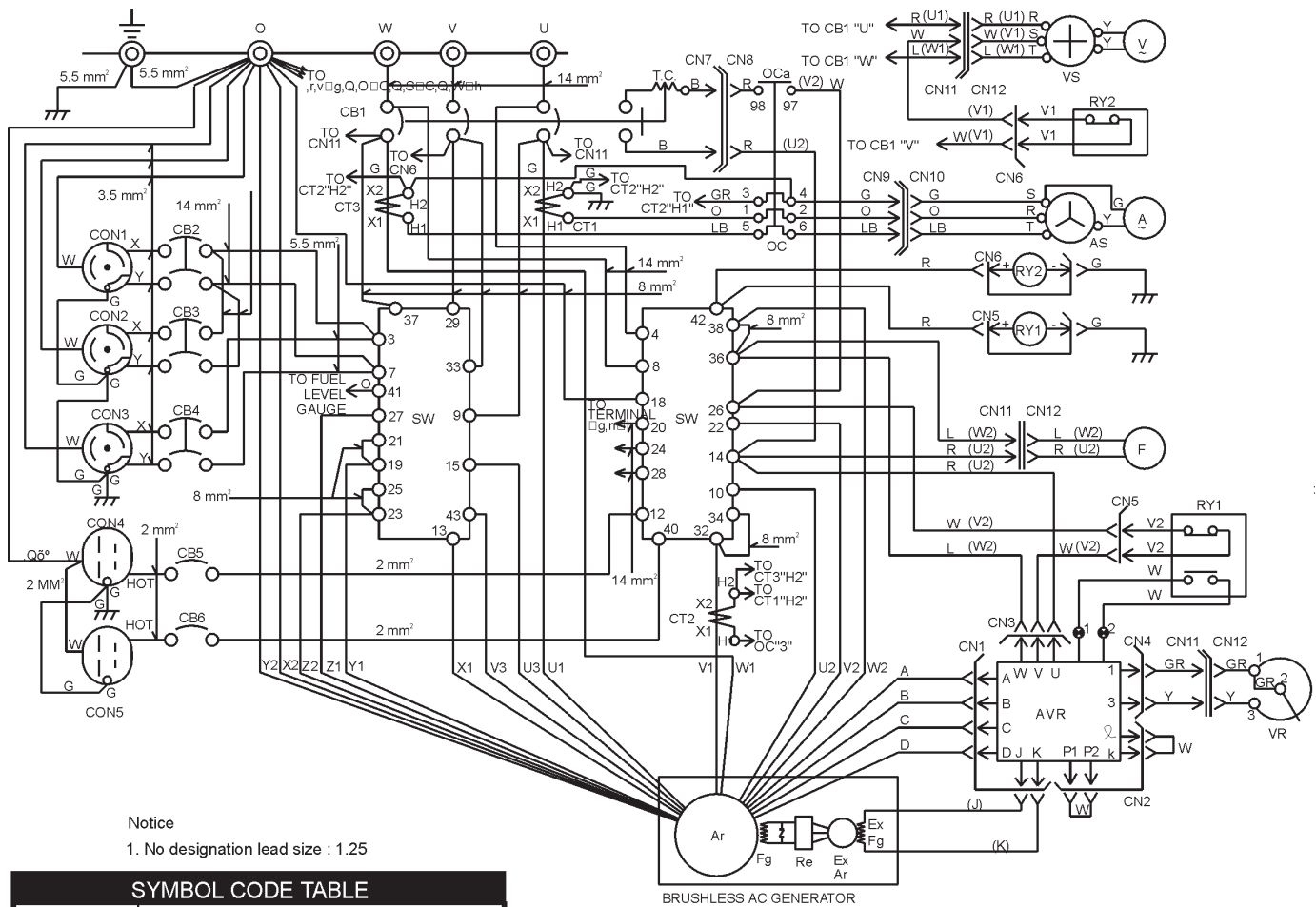
DCA45SSIU2 STANDARD
ENGINE WIRE DIAGRAM



CONTINUED FROM
PREVIOUS PAGE



DCA-40SSI — GENERATOR WIRING DIAGRAM



Notice

1. No designation lead size : 1.25

SYMBOL CODE TABLE

SYMBOL	DESIGNATION
Ar	MAIN GENERATOR ARMATURE WINDING
Fg	MAIN GENERATOR FIELD WINDING
ExAr	EXCITER ARMATURE WINDING
ExFg	EXCITER FIELD WINDING
Re	RECTIFIER
AVR	AUTOMATIC VOLTAGE REGULATOR
VR	VOLTAGE REGULATOR (RHEOSTAT)
CT 1,2,3	CURRENT TRANSFORMER
AS	CHANGE-OVER SWITCH, AMMETER
A	AC. AMMETER
VS	CHANGE-OVER SWITCH, VOLTMETER
V	AC. VOLTMETER
F	FREQUENCY METER
Cb1	CIRCUIT BREAKER
CB 2,3,4	CIRCUIT BREAKER
CB 5,6	CIRCUIT BREAKER
CON 1,2,3	RECEPTACLE
CON 4,5	RECEPTACLE
OC	OVER CURRENT RELAY
SW	SELECTOR SWITCH
RY1,2	RELAY UNIT

COLOR CODE TABLE

CODE/WIRE COLOR			
B	BLACK	R	RED
L	BLUE	W	WHITE
BR	BROWN	Y	YELLOW
G	GREEN	LB	LIGHT BLUE
GR	GRAY	LG	LIGHT GREEN
V	VIOLET	O	ORANGE
P	PINK		

CONNECTER ARRANGEMENT

(WIRING VIEW)

