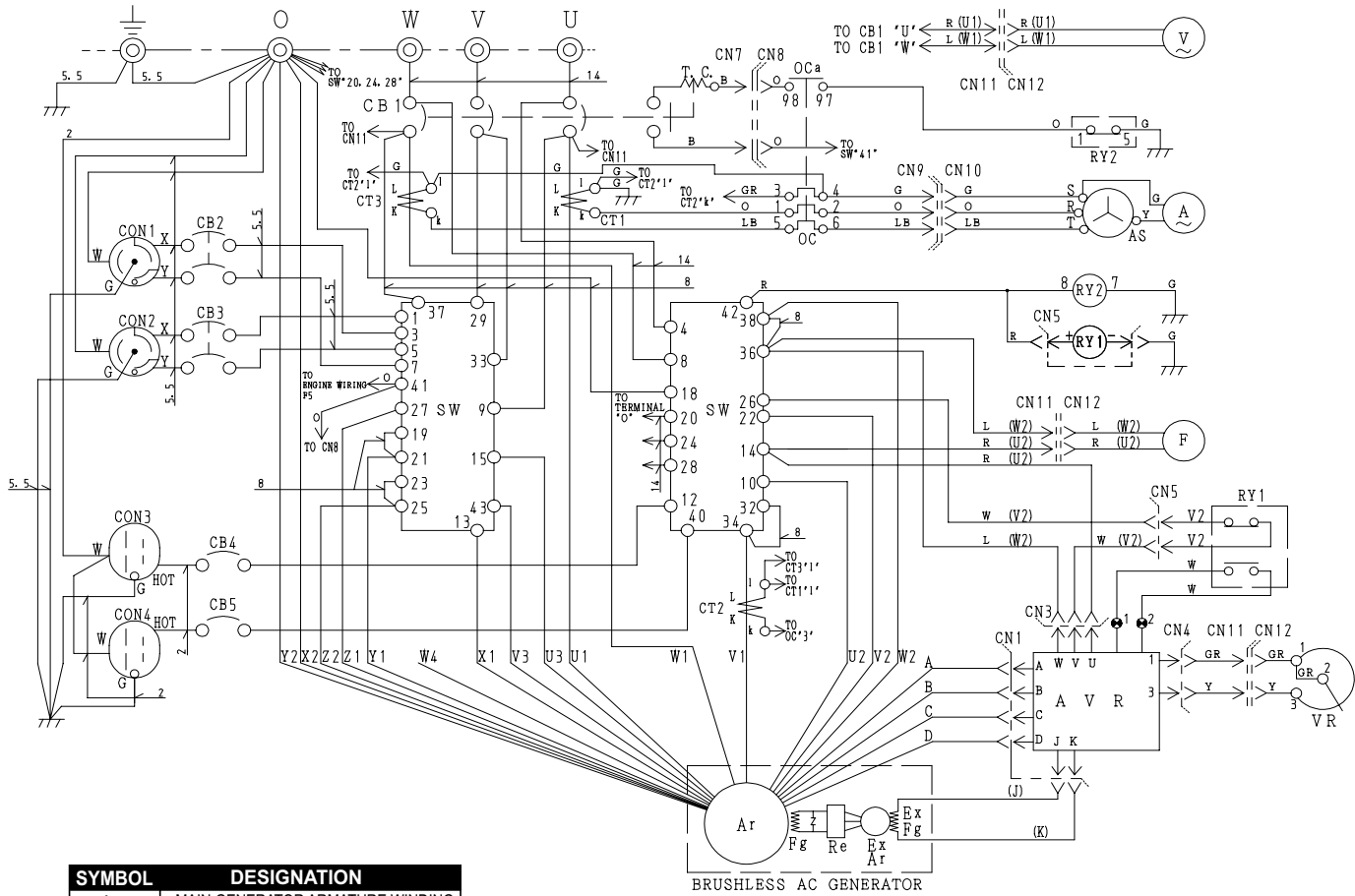


GENERATOR WIRING DIAGRAM

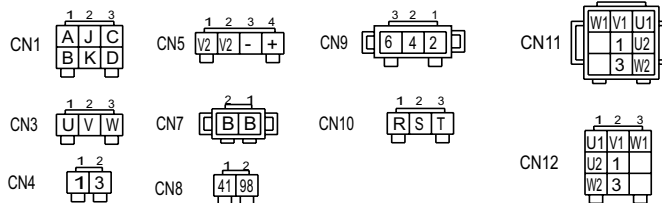


SYMBOL	DESIGNATION
Ar	MAIN GENERATOR ARMATURE WINDING
Fg	MAIN GENERATOR FIELD WINDING
ExAr	EXCITER ARMATURE WINDING
ExFg	EXCITER FIELD WINDING
Re	RECTIFIER
AVR	AUTOMATIC VOLTAGE REGULATOR
VR	VOLTAGE REGULATOR (RHEOSTAT)
CT 1,2,3	CURRENT TRANSFORMER
AS	CHANGE-OVER SWITCH, AMMETER
A	AC AMMETER
V	AC VOLTMETER
F	FREQUENCY METER
CB1	CIRCUIT BREAKER, 3P 110A
CB2, 3	CIRCUIT BREAKER, 2P 50A
CB4, 5	CIRCUIT BREAKER, 1P 20A
CON1, 2	RECEPTACLE, CS6369, 250 VAC @ 50 AMPS
CON3, 4	RECEPTACLE, GFCI, 125 VAC @ 20 AMPS X 2
OC	OVER CURRENT RELAY
SW	SELECTOR SWITCH
RY1	RELAY UNIT
RY2	RELAY UNIT

CURRENT TRANSFORMERS (CT1 ~ 3)	
REF. DES.	MARK AT CT
k	X1
l	NO MARK
K	H1
L	NO MARK

NOTE: EACH CABLE IS PASSED TWICE THROUGH CURRENT TRANSFORMERS CT1, CT2 AND CT3.

CONNECTOR ARRANGEMENT (WIRING VIEW)



WIRE SIZE	CODE/WIRE COLOR			
125: 125 mm ²	B	BLACK	R	RED
100: 100 mm ²	L	BLUE	W	WHITE
80: 80 mm ²	BR	BROWN	Y	YELLOW
22: 22 mm ²	G	GREEN	LB	LIGHT BLUE
14: 14 mm ²	GR	GRAY	LG	LIGHT GREEN
8: 8 mm ²	V	VIOLET	O	ORANGE
5.5: 5.5 mm ²	P	PINK		
NO MARK WIRE SIZE: 1.25 mm ²				

ENGINE WIRING DIAGRAM

