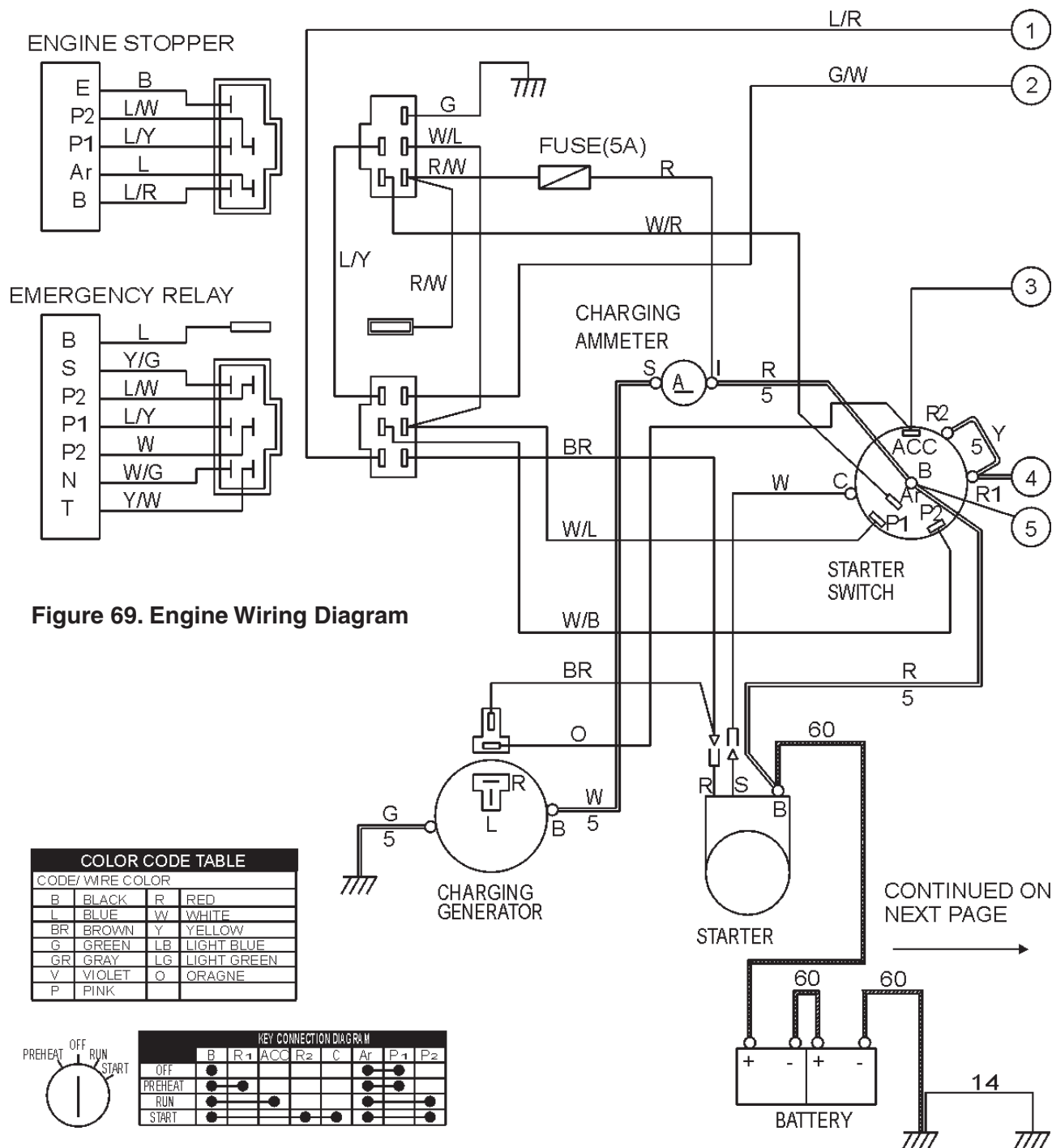


# DCA-45SSIU2 — SPECIFICATIONS

Table 1. Generator Specifications		
<b>Model</b>	<b>DCA-45SSIU2</b>	
<b>Type</b>	Revolving field, self ventilated, open protected type synchronous generator	
<b>Armature Connection</b>	Star with Neutral	Zig Zag
<b>Phase</b>	3	Single
<b>Standby Output</b>	47.7 KVA (38.2 KW)	27.6 KW
<b>Prime Output</b>	45 KVA (36 KW)	26 KW
<b>Voltage</b>	240V or 480V	240/120V
<b>Frequency</b>	60 Hz	
<b>Speed</b>	1,800 rpm	
<b>Power Factor</b>	0.8	1
<b>Aux. AC Power</b>	Single Phase, 60 Hz	
<b>Voltage</b>	120 VAC	
<b>Output</b>	4.8 KW (2.4 KW x 2)	
Engine Specifications		
<b>Model</b>	<b>ISUZU B-4BG1</b>	
<b>Type</b>	4 Cycle, water-cooled, direct injection	
<b>No. of Cylinders</b>	4 cylinders	
<b>Bore x Stroke</b>	4.13 in. x 4.92 in. (105 mm x 125 mm)	
<b>Rated Output</b>	55.2 HP/1,800 rpm	
<b>Displacement</b>	268 cu. in. (4,392 cc)	
<b>Starting</b>	Electric	
<b>Coolant Capacity</b>	5.3 gal. (20 liters)	
<b>Lube Oil Capacity</b>	3.4 gal. (12.9 liters)	
<b>Fuel Consumption</b>	2.7 gal. (10.3L)/hr at <b>full load</b>	2.0 gal. (7.6L)/hr at <b>3/4 load</b>
	1.5 gal. (5.7L)/hr at <b>1/2 load</b>	1.1 gal. (4.2L)/hr at <b>1/4 load</b>
<b>Battery</b>	12V- 100AH	
<b>Fuel</b>	#2 Diesel Fuel	

# DCA-45SSIU2 — ENGINE WIRING DIAGRAM

DCA45SSIU2 STANDARD  
ENGINE WIRE DIAGRAM



# DCA-45SSIU2 — ENGINE WIRING DIAGRAM

DCA45SSIU2 STANDARD  
ENGINE WIRE DIAGRAM

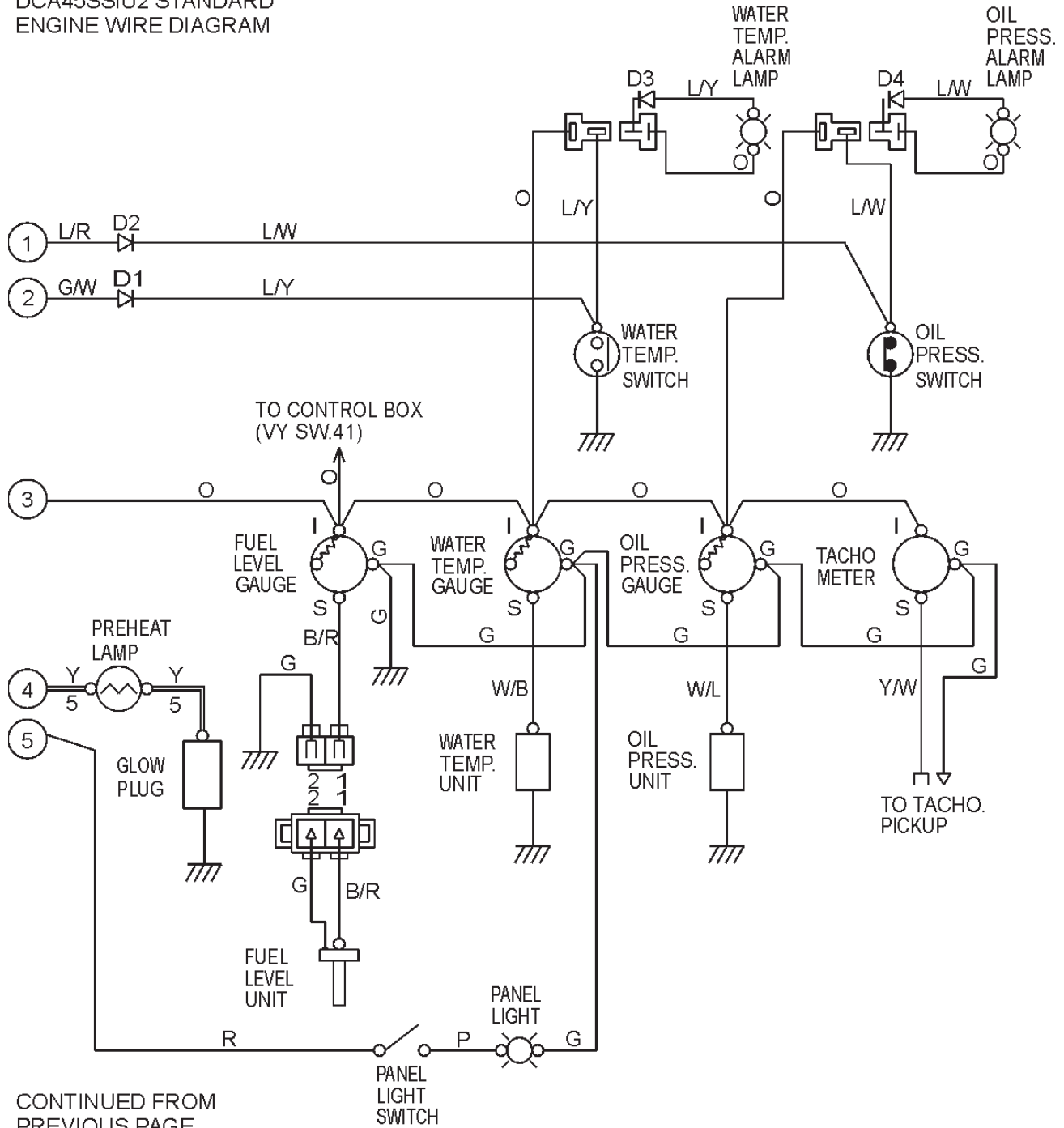
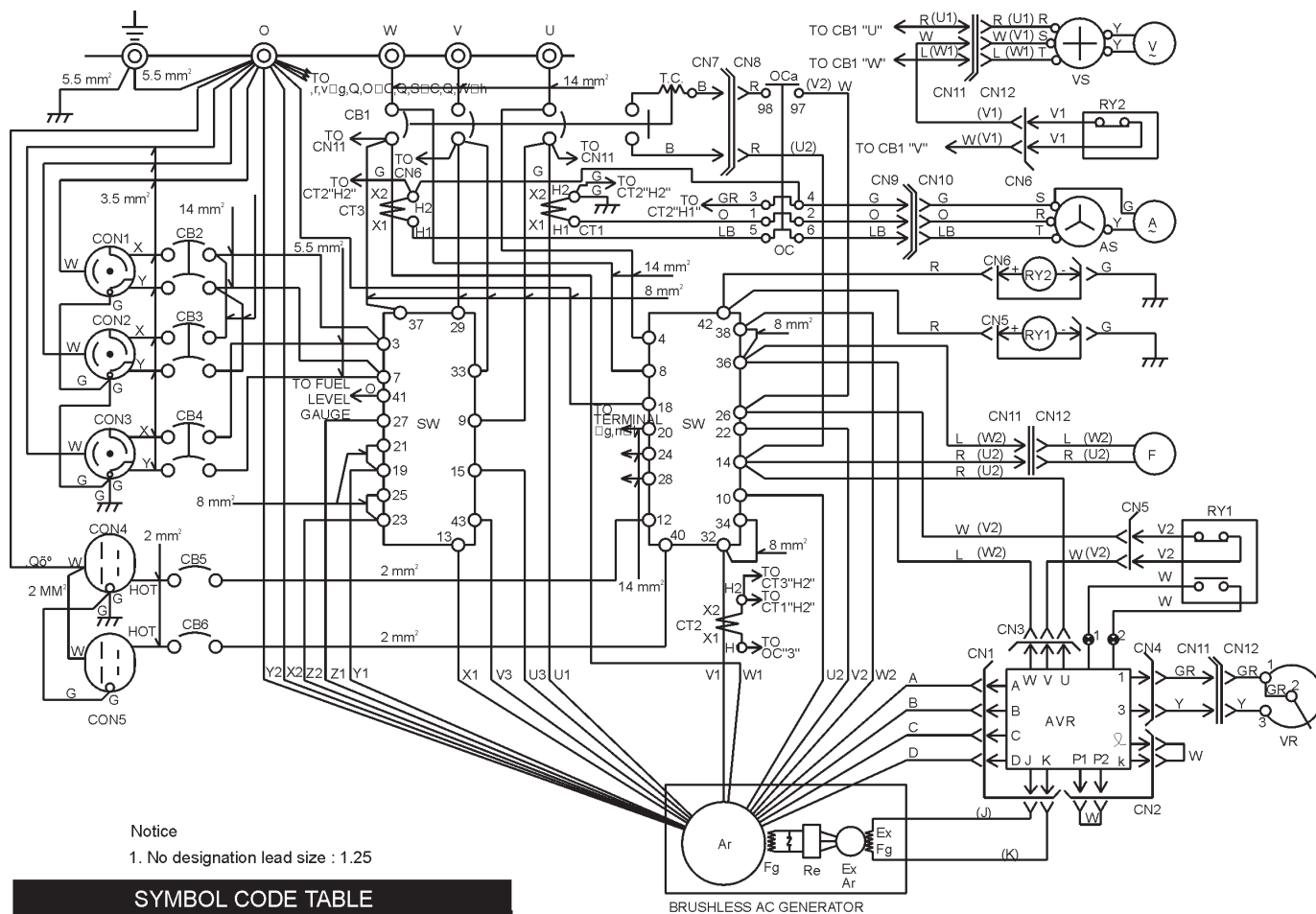


Figure 69. Engine Wiring Diagram(Continued)

# DCA-45SSIU2 — GENERATOR WIRING DIAGRAM



**Notice**

1. No designation lead size : 1.25

**SYMBOL CODE TABLE**

SYMBOL	DESIGNATION
Ar	MAIN GENERATOR ARMATURE WINDING
Fg	MAIN GENERATOR FIELD WINDING
ExAr	EXCITER ARMATURE WINDING
ExFg	EXCITER FIELD WINDING
Re	RECTIFIER
AVR	AUTOMATIC VOLTAGE REGULATOR
VR	VOLTAGE REGULATOR (RHEOSTAT)
CT 1,2,3	CURRENT TRANSFORMER
AS	CHANGE-OVER SWITCH, AMMETER
A	AC AMMETER
VS	CHANGE-OVER SWITCH, VOLTMETER
V	AC VOLTMETER
F	FREQUENCY METER
Cb1	CIRCUIT BREAKER
CB 2,3,4	CIRCUIT BREAKER
CB 5,6	CIRCUIT BREAKER
CON 1,2,3	RECEPTACLE
CON 4,5	RECEPTACLE
OC	OVER CURRENT RELAY
SW	SELECTOR SWITCH
RY1,2	RELAY UNIT

**COLOR CODE TABLE**

CODE/WIRE COLOR			
B	BLACK	R	RED
L	BLUE	W	WHITE
BR	BROWN	Y	YELLOW
G	GREEN	LB	LIGHT BLUE
GR	GRAY	LG	LIGHT GREEN
V	VIOLET	O	ORANGE
P	PINK		

**Figure 70. Generator Wiring Diagram**

**CONNECTER ARRANGEMENT**

**(WIRING VIEW)**

