

PARTS MANUAL



WHISPERWATT™ SERIES
MODEL
DCA45SSIU3
(ISUZU BB-4JG1T DIESEL ENGINE)

Revision #2 (03/19/24)

To find the latest revision of this publication or
associated operation manual, visit our website
at: www.mqpower.com



THIS MANUAL MUST ACCOMPANY THE EQUIPMENT AT ALL TIMES.

TABLE OF CONTENTS

MQ POWER DCA-45SSIU3 60HZ WHISPERWATT GENERATOR

Explanation Of Code In Remarks Column..... 4
Suggested Spare Parts 5

Component Drawings

Generator Assembly 6–7
Control Box Assembly 8–9
Engine and Radiator Assembly 10–13
Output Terminal Assembly 14–15
Engine Operating Panel Assembly 16–17
Battery Assembly 18–19
Muffler Assembly 20–21
Fuel Tank Assembly 22–23
Enclosure Assembly 24–27
Rubber Seals Assembly 28–29
Nameplate and Decals 30–31

NOTICE
Specifications and part numbers are subject to change without notice.

EXPLANATION OF CODE IN REMARKS COLUMN

The following section explains the different symbols and remarks used in the Parts section of this manual. Use the help numbers found on the back page of the manual if there are any questions.

NOTICE

The contents and part numbers listed in the parts section are subject to change without notice. Multiquip does not guarantee the availability of the parts listed.

SAMPLE PARTS LIST

NO.	PART NO.	PART NAME	QTY.	REMARKS
1	12345	BOLT	1	INCLUDES ITEMS W/%
2%		WASHER, 1/4 IN.		NOT SOLD SEPARATELY
2%	12347	WASHER, 3/8 IN. ...	1	MQ-45T ONLY
3	12348	HOSE	A/R	MAKE LOCALLY
4	12349	BEARING	1	S/N 2345B AND ABOVE

NO. Column

Unique Symbols — All items with same unique symbol (@, #, +, %, or >) in the number column belong to the same assembly or kit, which is indicated by a note in the “Remarks” column.

Duplicate Item Numbers — Duplicate numbers indicate multiple part numbers, which are in effect for the same general item, such as different size saw blade guards in use or a part that has been updated on newer versions of the same machine.

NOTICE

When ordering a part that has more than one item number listed, check the remarks column for help in determining the proper part to order.

PART NO. Column

Numbers Used — Part numbers can be indicated by a number, a blank entry, or TBD.

TBD (To Be Determined) is generally used to show a part that has not been assigned a formal part number at the time of publication.

A blank entry generally indicates that the item is not sold separately or is not sold by Multiquip. Other entries will be clarified in the “Remarks” Column.

QTY. Column

Numbers Used — Item quantity can be indicated by a number, a blank entry, or A/R.

A/R (As Required) is generally used for hoses or other parts that are sold in bulk and cut to length.

A blank entry generally indicates that the item is not sold separately. Other entries will be clarified in the “Remarks” Column.

REMARKS Column

Some of the most common notes found in the “Remarks” Column are listed below. Other additional notes needed to describe the item can also be shown.

Assembly/Kit — All items on the parts list with the same unique symbol will be included when this item is purchased.

Indicated by:

“INCLUDES ITEMS W/(unique symbol)”

Serial Number Break — Used to list an effective serial number range where a particular part is used.

Indicated by:

“S/N XXXXX AND BELOW”

“S/N XXXX AND ABOVE”

“S/N XXXX TO S/N XXX”

Specific Model Number Use — Indicates that the part is used only with the specific model number or model number variant listed. It can also be used to show a part is NOT used on a specific model or model number variant.

Indicated by:

“XXXXX ONLY”

“NOT USED ON XXXX”

“Make/Obtain Locally” — Indicates that the part can be purchased at any hardware shop or made out of available items. Examples include battery cables, shims, and certain washers and nuts.

“Not Sold Separately” — Indicates that an item cannot be purchased as a separate item and is either part of an assembly/kit that can be purchased, or is not available for sale through Multiquip.

SUGGESTED SPARE PARTS

DCA-45SSIU3 (60HZ) ULTRA-SILENT GENERATOR W/ISUZU BB-4JG1T ENGINE

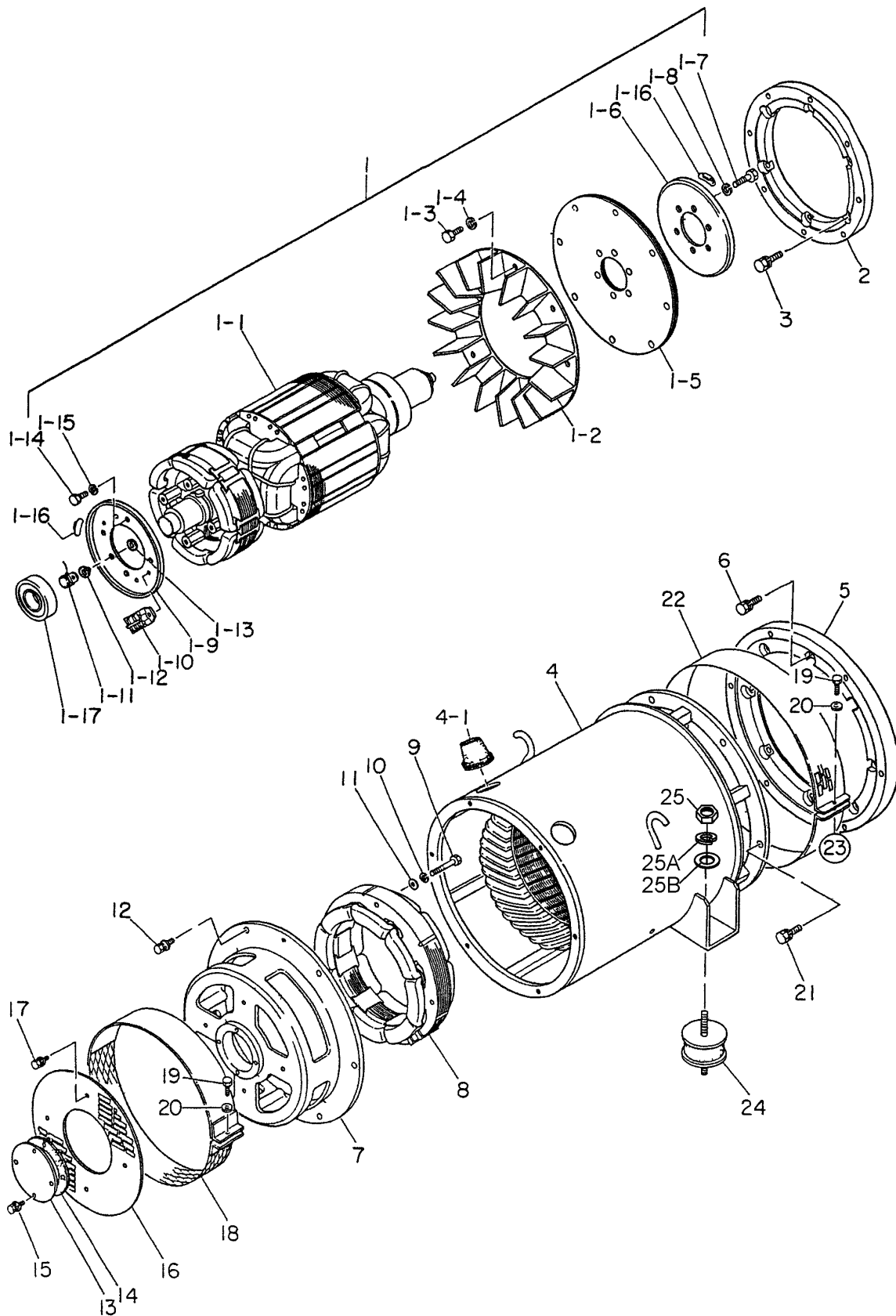
1 TO 3 UNITS

Qty.	P/N	Description
5.....	8943672922.....	FILTER, OIL
3.....	8943692993.....	FILTER, FUEL, CARTRIDGE
3.....	0602046366.....	ELEMENT, AIR
1.....	8941618410.....	BELT, FAN
1.....	0605505070.....	CAP, FUEL TANK
1.....	0602122272.....	UNIT, OIL PRESSURE
1.....	0602123261.....	UNIT, WATER TEMPERATURE
1.....	1518183040.....	SENDER, WATER SWITCH (ENGINE SIDE)
1.....	1718939010.....	SENDER, OIL SWITCH (ENGINE SIDE)

NOTICE

Part numbers on this Suggested Spare Parts list may supersede/replace the P/N shown in the next pages of this book.

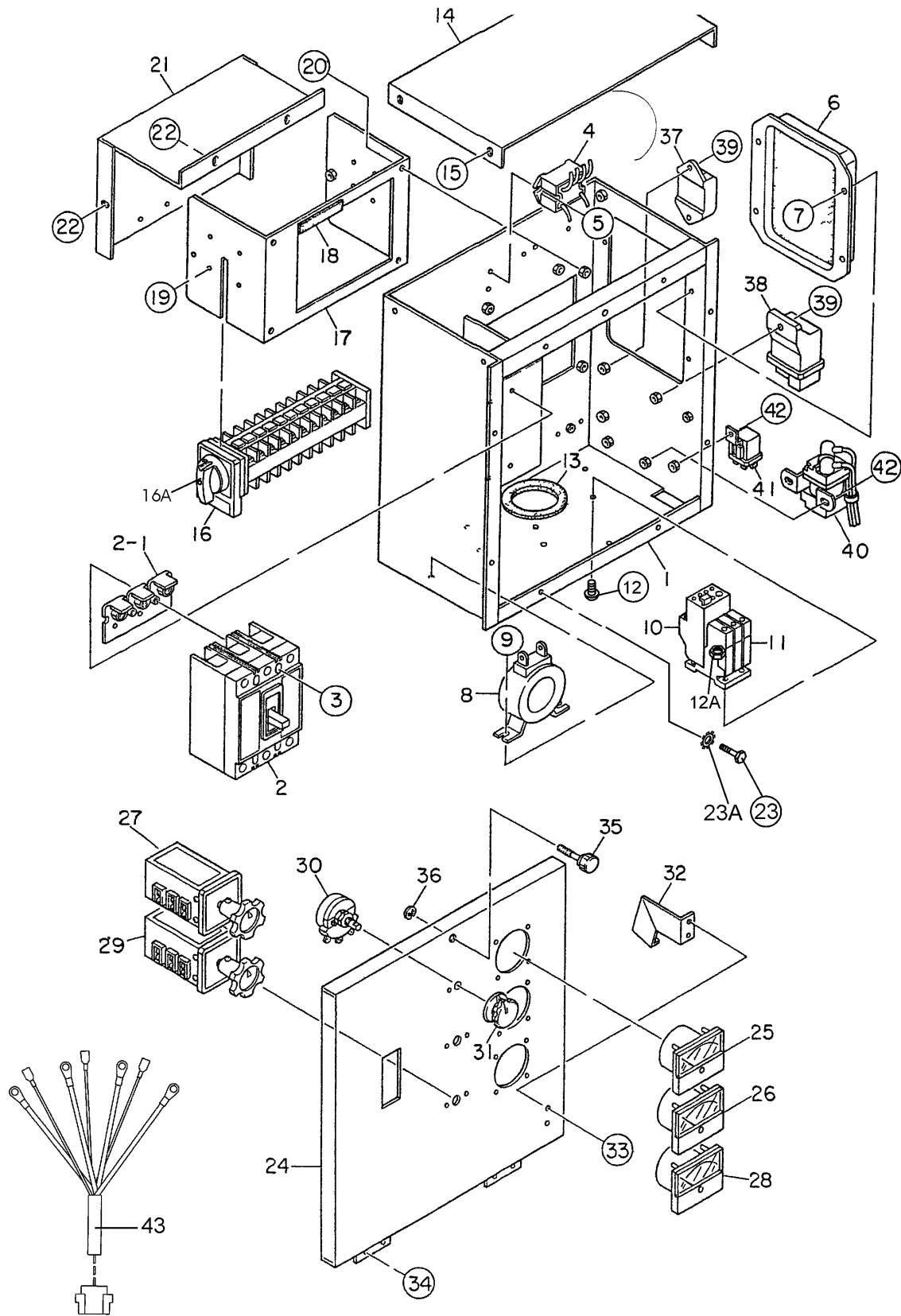
GENERATOR ASSY.



GENERATOR ASSY.

<u>NO.</u>	<u>PART NO.</u>	<u>PART NAME</u>	<u>QTY.</u>	<u>REMARKS</u>
1	B3110100202	ROTOR ASSY.	1	
1-1*		FIELD ASSY	1	
1-2*	8051070003	FAN	1	
1-3*	0010310035	HEX, HEAD BOLT	8	
1-4*	0042510000	SPRING WASHER	8	
1-5*	8041611004	COUPLING DISK	4	
1-6*	8041015003	BALANCING PLATE	1	PURCHASE SET OF 1-16
1-7*	0010310025	HEX, HEAD BOLT	6	
1-8*	0042510000	SPRING WASHER	6	
1-9*	8001026013	SET PLATE, RECTIFIER BALANCING PLATE	1	PURCHASE SET OF 1-16
1-10*	0601821349	RECTIFIER	2	PT3610
1-11*	0601822601	SURGE ABSORBER	1	ERZ-M14JK621A
1-12*	8001020004	INSULATOR WASHER	1	
1-13*	8001020504	INSULATOR WASHER	1	
1-14*	0010108020	HEX, HEAD BOLT	4	
1-15*	0040008000	SPRING WASHER	4	
1-16*	0601000209	BALANCING WEIGHT KIT	1	
1-17*	0071906310	BEARING	1	6310DDU C3
2	M1164400003	COUPLING RING	1	
3	0012808030	HEX, HEAD BOLT	6	
4	B3130100103	STATOR ASSY.	1	B315100104
4-1	0845041904	GROMMET	2	
5	M1164600003	COUPLING ADAPTER	1	
6	0012810030	HEX, HEAD BOLT	8	
7	8041315202	END BRACKET	1	
8	8041350013	FIELD ASSY. EXCITER	1	
9	0010308065	HEX, HEAD BOLT	4	
10	0042608000	SPRING WASHER	4	
11	0041208000	PLAIN WASHER	4	
12	0017108030	HEX, HEAD BOLT	6	
13	8041310024	COVER, BEARING	1	
14	8041312014	GASKET, BEARING	1	
15	0017106012	HEX, HEAD BOLT	4	
16	8041331014	COVER, END BRACKET	1	
17	0017106012	HEX HEAD BOLT	4	
18	8001333003	COVER, END BRACKET	1	
19	0340406040	HEX HEAD BOLT	2	
20	0041206000	PLAIN WASHER	2	
21	0012810030	HEX HEAD BOLT	6	
22	8051332014	COVER, FAN	1	
23	0600815000	NUT	1	
24	0605000055	RUBBER SUSPENSION	2	
25	0030012000	HEX NUT	2	
25A	0040012000	SPRING WASHER	2	
25B	0041212000	PLAIN WASHER	2	

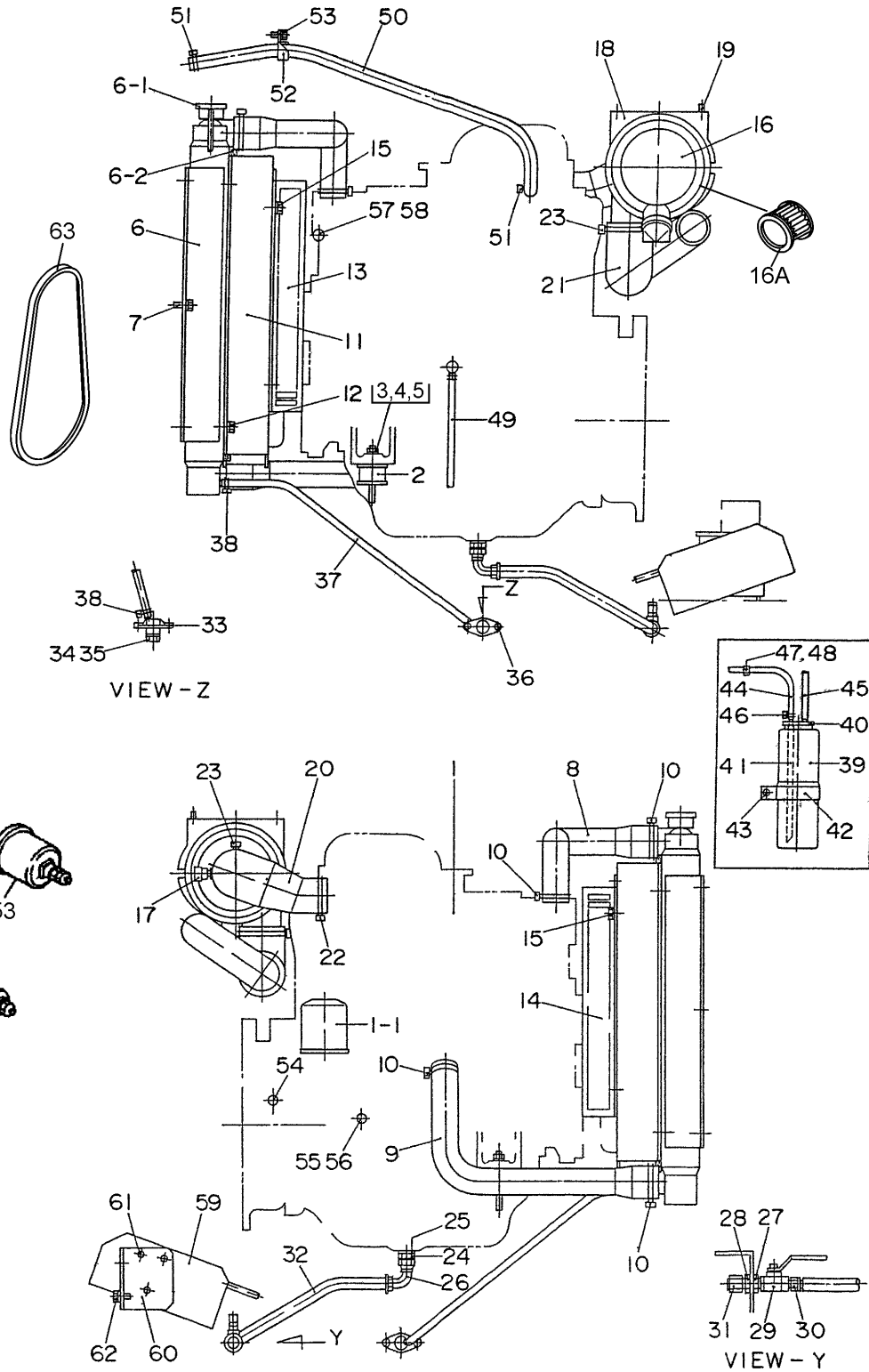
CONTROL BOX ASSY.



CONTROL BOX ASSY.

<u>NO.</u>	<u>PART NO.</u>	<u>PART NAME</u>	<u>QTY.</u>	<u>REMARKS</u>
1	M1213000802	CONTROL BOX	1	
2	0601870431	CIRCUIT BREAKER	1	FG3110WS02 3P 110A
2-1	0601870490	COVER, CIRCUIT BREAKER	2	
3	0021004040	MACHINE SCREW	4	
4	0601823863	RELAY UNIT	2	MSA9013A
5	0027104016	MACHINE SCREW	4	
6	0601820671	AUTOMATIC VOLTAGE REGULATOR.....	1	NTA-5A-2DB
7	0027105016	MACHINE SCREW	4	
8	0601806116	CURRENT TRANSFORMER.....	3	812-94375/5A
9	0027106016	MACHINE SCREW	6	
10	0601820847	OVER CURRENT RELAY	1	TA25DU 4.0
11	0027120848	OVER CURRENT RELAY	1	DB25/25A
12	0027104016	MACHINE SCREW	2	
12A	0207004000	HEX NUT	2	
13	0330000200	EDGING	1	
14	M1213500303	CONTROL BOX COVER	1	
15	0016906016	HEX HEAD BOLT	4	
16	M1923100004	SELECTOR SWITCH	1	VY-40
16A	47130106	KNOB. SELECTOR SWITCH	1	
17	M1213600114	SWITCH BRACKET	1	
18	0330000160	EDGING	2	
19	0027103010	MACHINE SCREW	4	
20	0016906016	HEX HEAD BOLT	4	
21	M1213600014	SWITCH COVER	1	
22	0016906016	HEX HEAD BOLT	4	
23	0016906016	HEX HEAD BOLT	8	
23A	0040506000	TOOTHED WASHER	1	
24	M1223000503	CONTROL PANEL	1	
25	0601807641	FREQUENCY METER.....	1	FCF-6 45~65Hz 240V
26	0601808986	AC AMMETER	1	ACF-6 0~75A/150A:5A
27	0601801040	CHANGE-OVER SWITCH, AMMETER	1	SL-2 AS
28	0601806859	AC VOLTMETER	1	SCF-6 0~600V
29	0601801041	CHANGE-OVER SWITCH, VOLTMETER	1	SL-2 VS
30	0601840073	RHEOSTAT (VOLTAGE REGULATOR)	1	RA20A2SE102BJ 2W 1K Ω
31	0601840121	KNOB	1	
32	M1223100004	STOPPER	1	
33	0027105010	MACHINE SCREW	2	
34	0027105010	MACHINE SCREW	4	
35	M9220100004	SET SCREW	1	
36	0080200007	SNAP RING	1	
37	8971119621	EMERGENCY RELAY	1	REPLACES P/N 0602200432
38	8972465100	PREHEAT CONTROLLER.....	1	REPLACES P/N 0602202506
39	0016906020	HEX HEAD BOLT	3	
40	1825530401	SAFETY RELAY	1	REPLACES P/N 0602200304
41	5825500290	RELAY	1	REPLACES P/N 0602201400
42	0016906016	HEX HEAD BOLT	3	
43	M1246702604	WIRE HARNESS, GENERATOR	1	

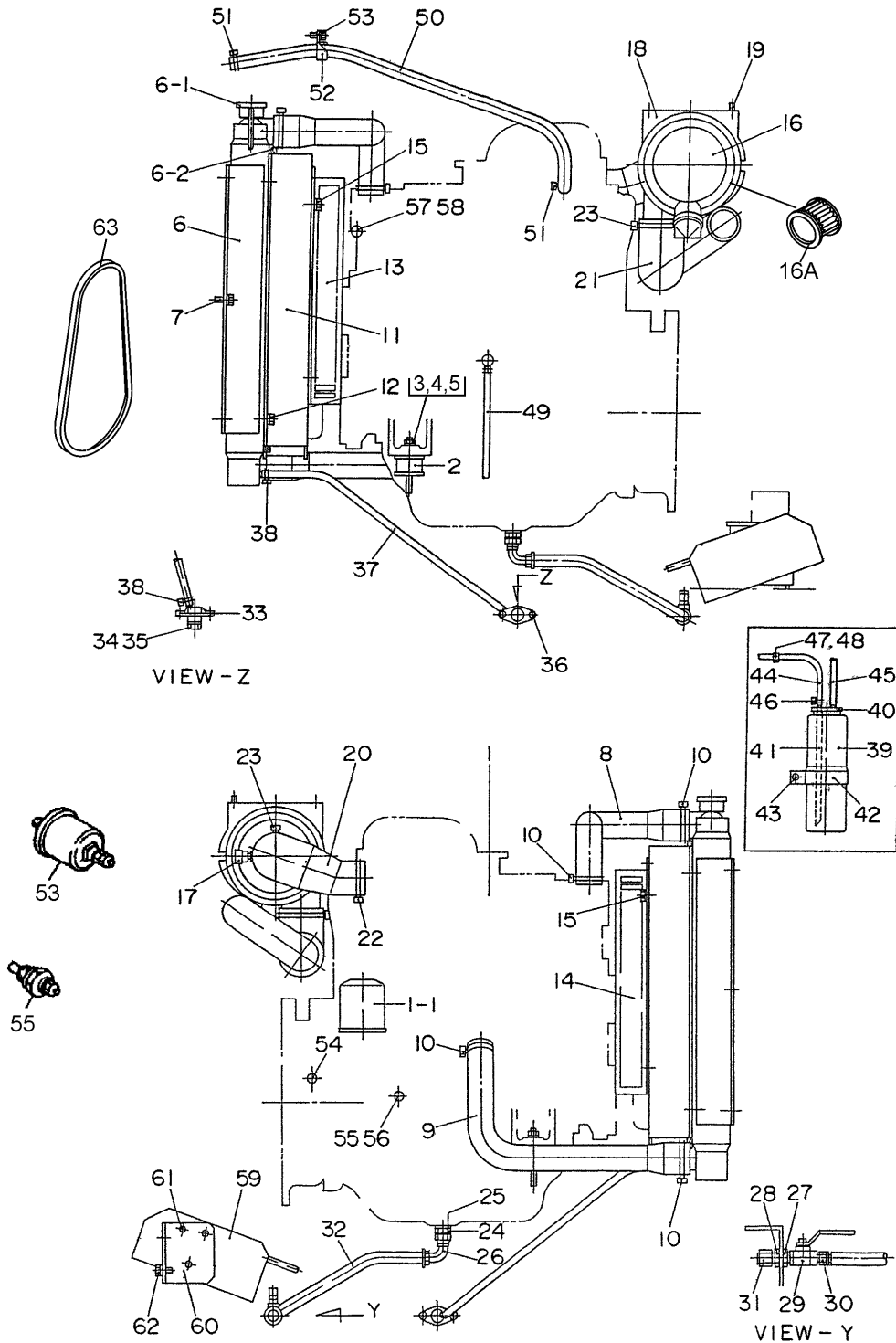
ENGINE AND RADIATOR ASSY.



ENGINE AND RADIATOR ASSY.

<u>NO.</u>	<u>PART NO.</u>	<u>PART NAME</u>	<u>QTY.</u>	<u>REMARK</u>
1	M1924200014	ENGINE	1.....	ISUZU BB-4JG1T PD-04
1-1	8970497081	CARTRIDGE, OIL FILTER	1.....	REPLACES P/N 0602041214
2	0605000048	RUBBER SUSPENSION	2	
3	0030010000	HEX NUT	2	
4	0040010000	SPRING WASHER	2	
5	0041210000	PLAIN WASHER	2	
6	M1923200064	RADIATOR.....	1.....	232000-2620
6-1	0602011053	CAP, RADIATOR.....	1.....	16401-1450A
6-2	M1493105204	ACOUSTIC SHEET	2	
7	0016908040	HEX HEAD BOLT	6	
8	M1310501003	RADIATOR HOSE	1	
9	M1310501103	RADIATOR HOSE	1	
10	0605515147	HOSE BAND	4	
11	M1310300903	FAN SHROUD	1	
12	0016908020	HEX HEAD BOLT	4	
13	M1310300504	FAN GUARD	1	
14	M1310300604	FAN GUARD	1	
15	0016908020	HEX HEAD BOLT	6	
16	0602046585	AIR CLEANER.....	1.....	FPG07-0019
16A	0602046366	ELEMENT, AIR CLEANER.....	1.....	P827653
17	0602040651	INDICATOR, AIR CLEANER.....	1.....	RBX00-2352
18	0602040557	BRACKET, AIR CLEANER.....	1.....	P77-7731
19	0016908030	HEX HEAD BOLT	2	
20	M1373100703	HOSE, AIR CLEANER	1	
21	M1373100603	HOSE, AIR CLEANER	1	
22	0605515148	HOSE BAND	1	
23	0605515200	HOSE BAND	2	
24	0602022560	ADAPTER	1	
25	M1320300304	PACKING	1	
26	0602022561	90 DEGREE ELBOW	1	
27	0603306590	CONNECTOR	1	
28	0603300285	ROCKNUT	1	
29	0605511395	VALVE	1	
30	0603306395	HOSE JOINT	1	
31	0602021070	CAP	1	
32	0269200450	DRAIN HOSE	1	
33	M2320300103	DRAIN JOINT	1	
34	M9200200004	PLUG	1	

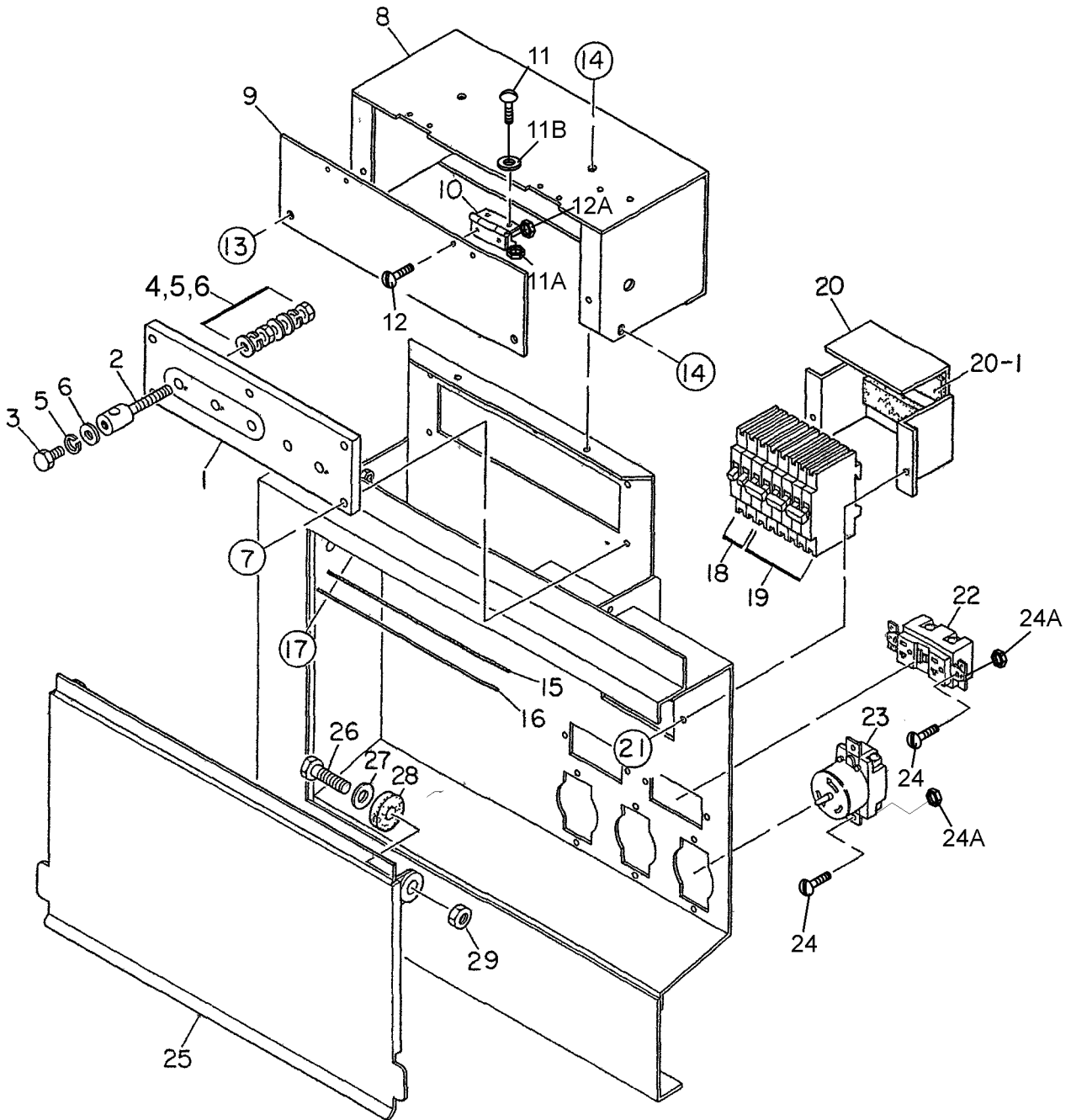
ENGINE AND RADIATOR ASSY.



ENGINE AND RADIATOR ASSY.

<u>NO.</u>	<u>PART NO.</u>	<u>PART NAME</u>	<u>QTY.</u>	<u>REMARKS</u>
35	0150000018	O RING	1	
36	0016906020	HEX HEAD BOLT	2	
37	0199900700	DRAIN HOSE	1	
38	0605515106	HOSE BAND	2	
39	M9300000003	RESERVE TANK	1	
40	M9300100003	CAP, RESERVE TANK	1	
41	0199100215	HOSE	1	
42	M1317100004	BRACKET, RESERVE TANK	1	
43	0016908020	HEX HEAD BOLT	1	
44	0199100800	HOSE	1	
45	0193601200	HOSE	1	
46	0605515106	HOSE BAND	2	
47	0602220910	CLAMP	2	
48	0016908020	HEX HEAD BOLT	2	
49	0199800700	DRAIN HOSE	1	
50	0269200900	BLOWBY HOSE	1	
51	0605515198	HOSE BAND	1	
52	0602220911	CLAMP	1	
53	0016908020	HEX HEAD BOLT	1	
54	0602120465	PICK UP, TACHOMETER	1	
55	1718939010	SENDER, OIL SWITCH	1.....	REPLACES P/N 0602122281
56	M9200100004	ADAPTER	1	
57	0602123260	UNIT, WATER TEMPERATURE.....	1.....	02094-00
58	9095720140	PACKING	1.....	REPLACES P/N 0602021109
59	1819001902	ENGINE STOPPER	1.....	REPLACES P/N 0602210810
60	M1354200404	BRACKET, ENGINE STOPPER	1	
61	0027106016	MACHINE SCREW	3	
62	0016908025	HEX HEAD BOLT	2	
63	8941618410	FAN BELT	1.....	REPLACES P/N 0602011432

OUTPUT TERMINAL ASSY.



OUTPUT TERMINAL ASSY.

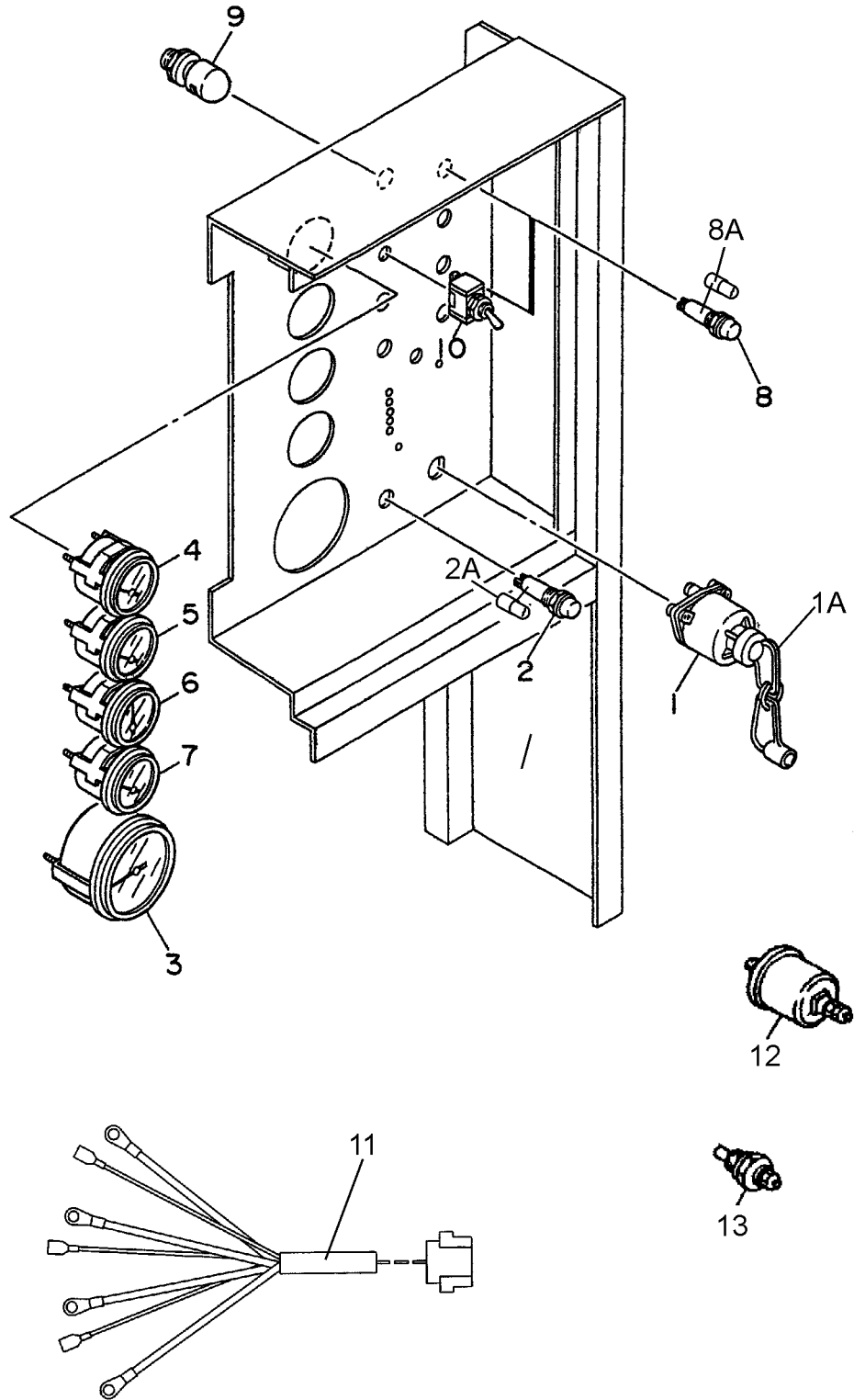
<u>NO.</u>	<u>PART NO.</u>	<u>PART NAME</u>	<u>QTY.</u>	<u>REMARKS</u>
1	M1230700103	TERMINAL PANEL	1	
2	M9220100204	OUTPUT TERMINAL BOLT	5	
3	M9220100104	TIE BOLT	5	
4	0039310000	HEX NUT	10	
5	0040010000	SPRING WASHER	15	
6	0041410000	PLAIN WASHER	20	
7	0016908025	HEX HEAD BOLT	5	
8	M1236100613	TERMINAL COVER	1	
9	M1236100704	OUTPUT WINDOW	1	
10	0605010040	HINGE	2	
11	0027103010	MACHINE SCREW	4	
11A	0030003000	HEX NUT	4	
11B	0041203000	PLAIN WASHER	4	
12	0027103010	MACHINE SCREW	4	
12A	0030003000	HEX NUT	4	
13	0016906020	HEX HEAD BOLT	2	
14	0016906016	HEX HEAD BOLT	4	
15	M1236400004	CABLE OUTLET COVER	1	
16	M1236300004	SUPPORTER, CABLE OUTLET COVER	1	
17	0016906020	HEX HEAD BOLT	6	
18	0601870440	CIRCUIT BREAKER	2.....	QCF 1020 1P 20A
19	0601870441	CIRCUIT BREAKER	3.....	QCF 2050 2P 50A
20	M1260700504	BREAKER FITTING COVER	1	
20-1	0222100100	CUSHION RUBBER	2	
21	0016906020	HEX HEAD BOLT	2	
22	0601812598	RECEPTACLE	2.....	GF-530EM 125V 20AX2
23	0601812538	RECEPTACLE	2.....	CS6369 250V 50A
24	0027104016	MACHINE SCREW	10	
24A	0207004000	HEX NUT	10	
25	M1236100803	TERMINAL COVER	1	
26	0010112045	HEX HEAD BOLT	2	
27	0041212000	PLAIN WASHER	2	
28	M9310200004	STAY RUBBER	2	
29	0030012000	HEX NUT	2	

ADD THE FOLLOWING DIGITS AFTER THE PART NUMBER WHEN ORDERING ANY PAINTED PANEL TO INDICATE COLOR OF UNIT:

1-ORANGE	5-BLACK
2-WHITE	6-CATERPILLAR YELLOW
3-SPECTRUM GREY	7-CATO GOLD
4-SUNBELT GREEN	8-RED

THE SERIAL NUMBER MAY BE REQUIRED.

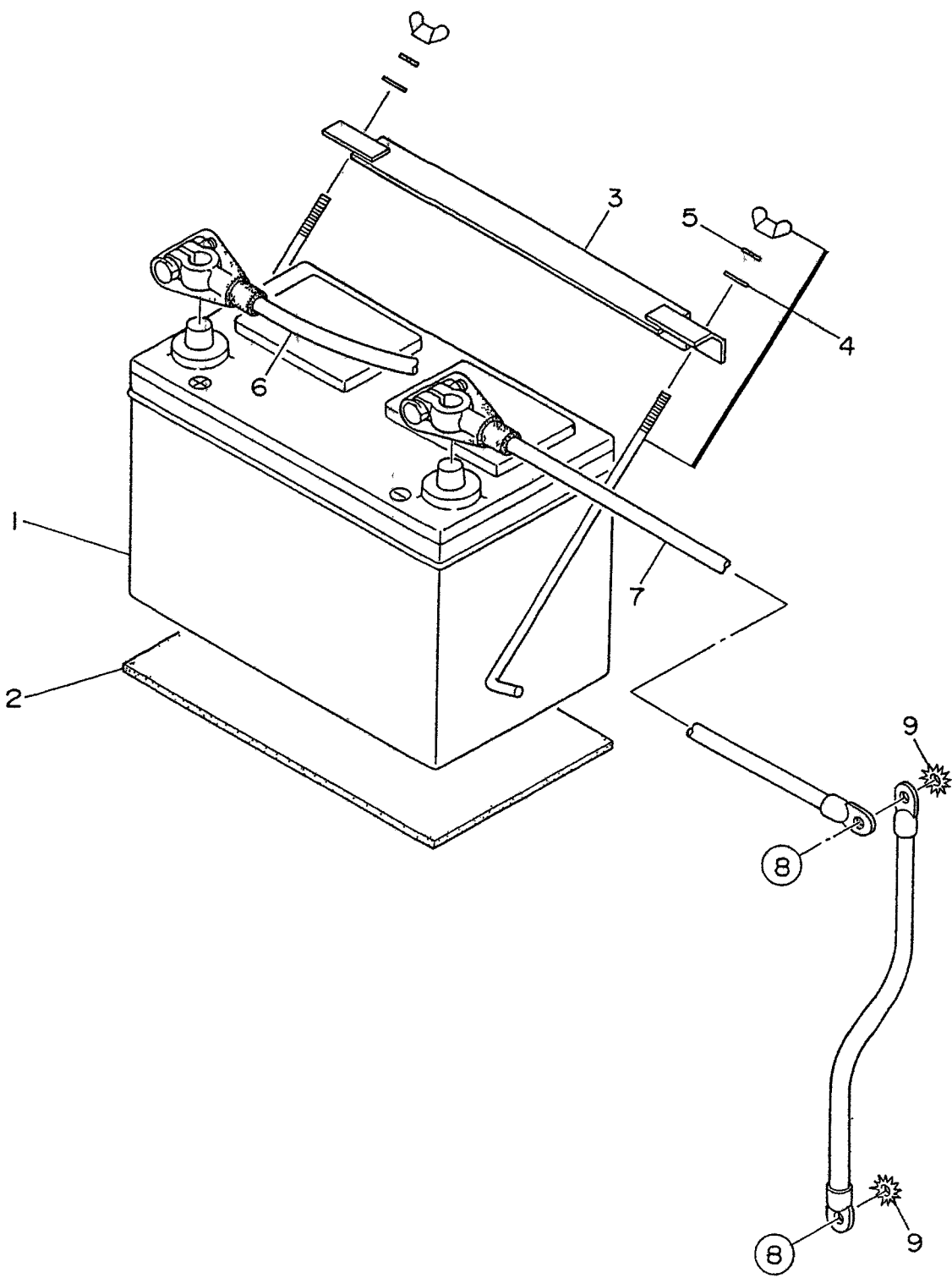
ENGINE OPERATING PANEL ASSY.



ENGINE OPERATING PANEL ASSY.

<u>NO.</u>	<u>PART NO.</u>	<u>PART NAME</u>	<u>QTY.</u>	<u>REMARKS</u>
1	8970444180	STARTER SWITCH	1.....	REPLACES P/N 0602100009 INCLUDES ITEM W/*
1A*	8944024980	KEYS, IGNITION SWITCH	1	
2	0602103092	PREHEAT LAMP.....	1.....	INCLUDES ITEM W/#
2A#	0601810245	BULB	1	
3	0602120095	TACHOMETER	1	
4	0602122093	OIL PRESSURE GAUGE	1	
5	0602123090	WATER TEMPERATURE GAUGE	1	
6	0602121080	CHARGING AMMETER	1	
7	0602125090	FUEL GAUGE	1	
8	0602103092	ALARM LAMP	3.....	INCLUDES ITEM W/+
8A+	0601810245	BULB	3	
9	9826800370	PANEL LIGHT	1.....	REPLACES P/N 0601810141
10	0601831330	SWITCH, PANEL LIGHT	1	
11	M1357201302	WIRE HARNESS, ENGINE	1	
12	0602122272	UNIT, OIL PRESSURE	1	
13	1518183040	SENDER, OVERHEAT SWITCH	1.....	REPLACES P/N 0602123282

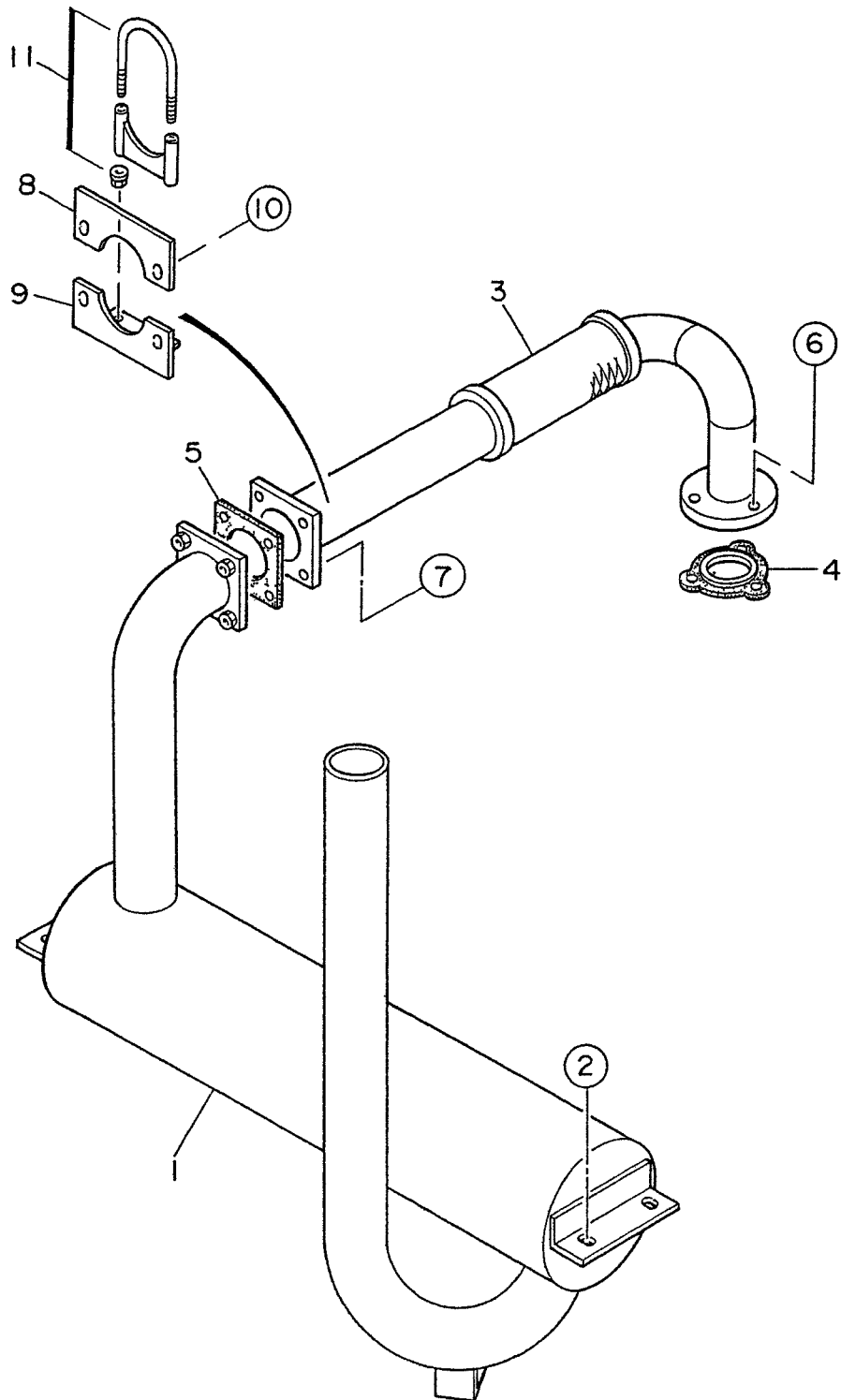
BATTERY ASSY.



BATTERY ASSY.

<u>NO.</u>	<u>PART NO.</u>	<u>PART NAME</u>	<u>QTY.</u>	<u>REMARKS</u>
1	0602220187	BATTERY.....	1.....	627MFD
2	M9310500014	BATTERY SHEET	1	
3	M9103000304	BATTERY BAND	1	
4	0602220920	BATTERY BOLT SET.....	2.....	BHL-10J
5	0040006000	SPRING WASHER	2	
6	M1347200004	BATTERY CABLE	1	
7	M1347200104	BATTERY CABLE	1	
8	0016910020	HEX HEAD BOLT	2	
9	0040510000	TOOTHED WASHER	2	

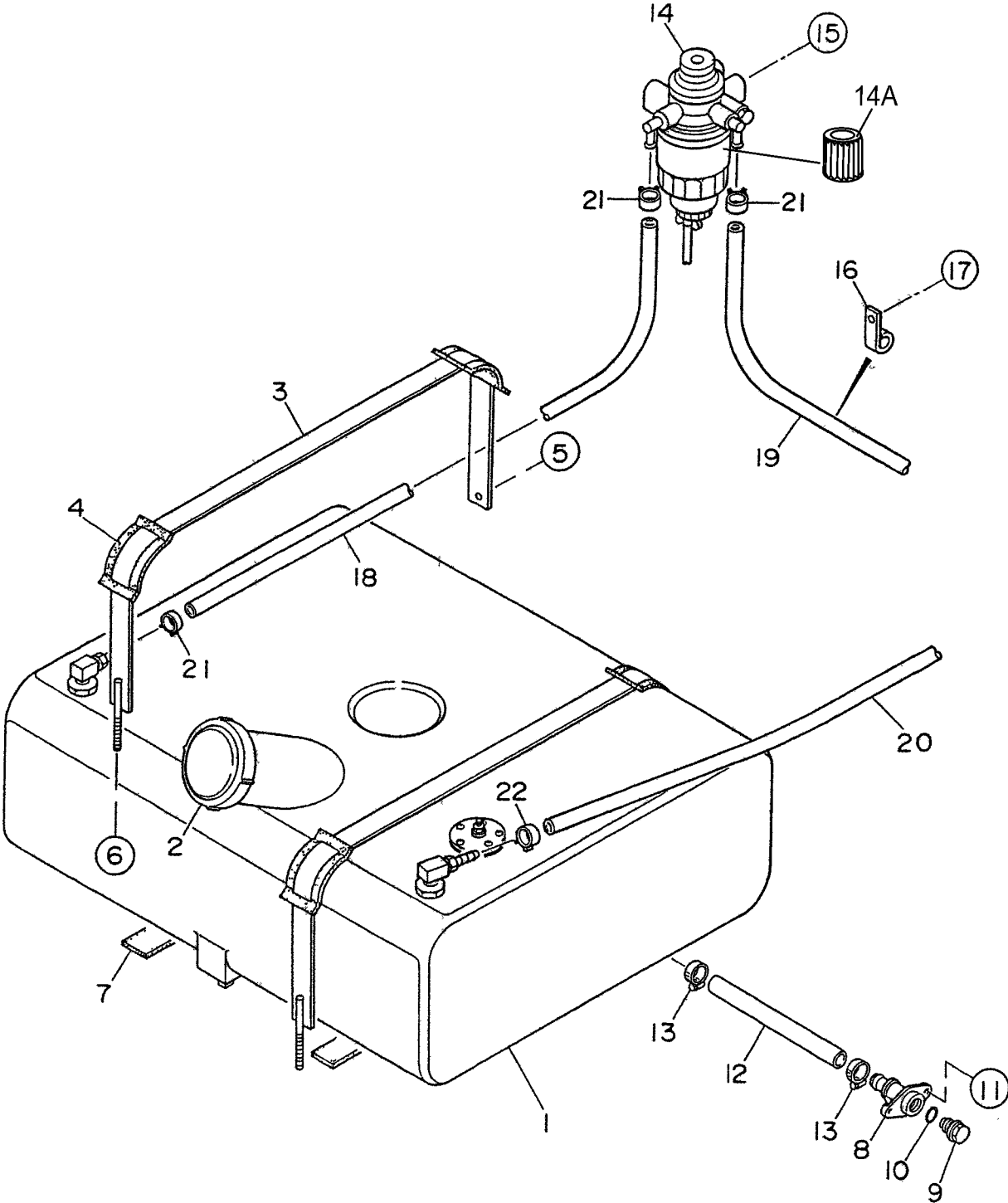
MUFFLER ASSY.



MUFFLER ASSY.

<u>NO.</u>	<u>PART NO.</u>	<u>PART NAME</u>	<u>QTY.</u>	<u>REMARKS</u>
1	M1330100703	MUFFLER	1	
2	0016910025	HEX HEAD BOLT	4	
3	M1333001903	EXHAUST PIPE	1	
4	8943690210	GASKET	1.....	REPLACES P/N 0602320101
5	M1333200114	GASKET	1	
6	0039308000	HEX NUT	6	
7	0016908035	HEX HEAD BOLT	4	
8	M1330400304	COVER	1	
9	M1333300004	BRACKET	1	
10	0016906016	HEX HEAD BOLT	4	
11	0602326090	U BOLT SET	1.....	89542K

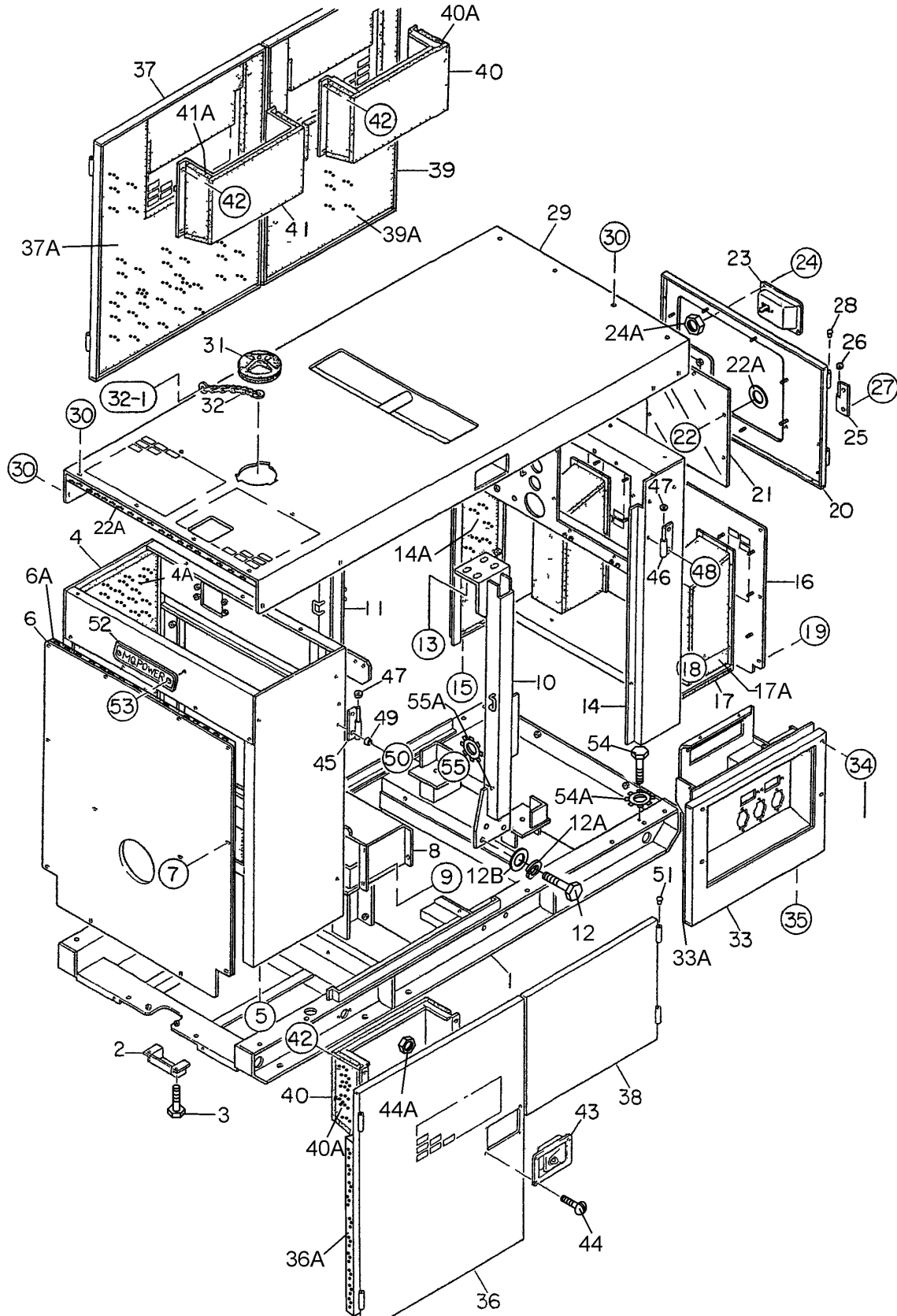
FUEL TANK ASSY.



FUEL TANK ASSY.

<u>NO.</u>	<u>PART NO.</u>	<u>PART NAME</u>	<u>QTY.</u>	<u>REMARKS</u>
1	M1363001602	FUEL TANK	1	
2	0605505070	CAP, FUEL TANK	1	
3	M1363200104	TANK BAND	2	
4	M9310500104	SUPPORTER SHEET	4	
5	0016908020	HEX HEAD BOLT	2	
6	0207308000	HEX NUT	2	
7	0222100600	RUBBER SHEET	2	
8	M9200000003	DRAIN JOINT	1	
9	M9200200004	DRAIN BOLT	1	
10	0150000018	O-RING	1	
11	0016906020	HEX HEAD BOLT	2	
12	M1363400104	DRAIN HOSE	1	
13	0605515198	HOSE BAND	2	
14	8943672924	PUMP PRIMARY	1	
14A	8980374810	ELEMENT, FUEL FILTER W/O SENSOR	1	
15	0016908020	HEX HEAD BOLT	2	
16	0602220911	CLAMP	2	
17	0016908020	HEX HEAD BOLT	2	
18	0191201150	SUCTION HOSE	1	
19	0191201500	SUCTION HOSE	1	
20	0191301100	RETURN HOSE	1	
21	0605515108	HOSE BAND	4	
22	0605515109	HOSE BAND	2	

ENCLOSURE ASSY.



ENCLOSURE ASSY.

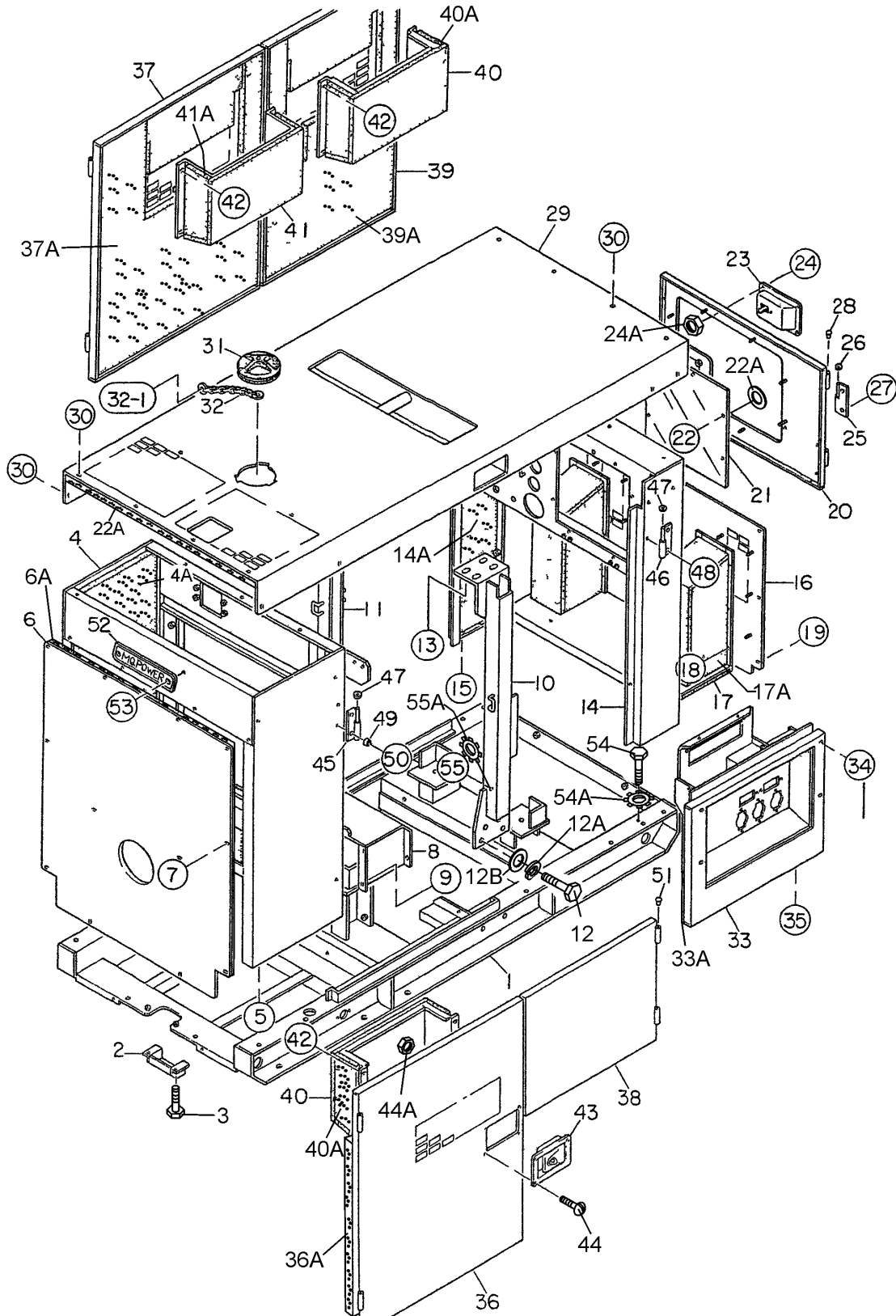
<u>NO.</u>	<u>PART NO.</u>	<u>PART NAME</u>	<u>QTY.</u>	<u>REMARKS</u>
1	M1413002902	BASE	1	
2	M1413400004	UNDER COVER	1	
3	0016908020	HEX HEAD BOLT	2	
4	M1423001902	FRONT FRAME	1	
	M1493106703	ACOUSTIC SHEET	1	
5	0016908020	HEX HEAD BOLT	4	
6	M1423200604	COVER, FRONT FRAME	1	
	M1493100804	ACOUSTIC SHEET	1	
7	0016908020	HEX HEAD BOLT	12	
8	M1423201403	INNER COVER, FRONT FRAME	1	
9	0016908020	HEX HEAD BOLT	4	
10	M1433000803	CENTER FRAME	1	
11	M1433001003	CENTER FRAME	1	
12	0010114030	HEX HEAD BOLT	8	
12A	0040014000	SPRING WASHER	8	
12B	0041214000	PLAIN WASHER	8	
13	0010114030	HEX HEAD BOLT	8	
13A	0040014000	SPRING WASHER	8	
13B	0041214000	PLAIN WASHER	8	
14	M1443001302	REAR FRAME	1	
14A	M1493300504	ACOUSTIC SHEET	1	
15	0016908020	HEX HEAD BOLT	4	
16	M1443300613	REAR COVER	1	
17	M1443301603	DUCT, REAR COVER	1	
17A	M1493303004	ACOUSTIC SHEET	1	
18	0207006000	HEX NUT	12	
19	0016908020	HEX HEAD BOLT	9	
20	M1443200803	REAR DOOR	1	
21	M1443600204	WINDOW PLATE	1	
22	0037906000	U-NUT	8	
22A	0041206000	PLAIN WASHER	8	
23	M9113000002	DOOR HANDLE ASSY	1	
24	0021806016	MACHINE SCREW	4	
24A	0030006000	HEX NUT	4	
25	M9110100204	HINGE	2	
26	M9116100004	WASHER	2	
27	0016908020	HEX HEAD BOLT	3	
28	M9310000004	BLIND PLUG	2	
29	M1463001802	ROOF PANEL	1	
29A	M1493503403	ACOUSTIC SHEET	1	
30	0016908020	HEX HEAD BOLT	19	

ADD THE FOLLOWING DIGITS AFTER THE PART NUMBER WHEN ORDERING ANY PAINTED PANEL TO INDICATE COLOR OF UNIT:

1-ORANGE	5-BLACK
2-WHITE	6-CATERPILLAR YELLOW
3-SPECTRUM GREY	7-CATO GOLD
4-SUNBELT GREEN	8-RED

THE SERIAL NUMBER MAY BE REQUIRED.

ENCLOSURE ASSY.



ENCLOSURE ASSY.

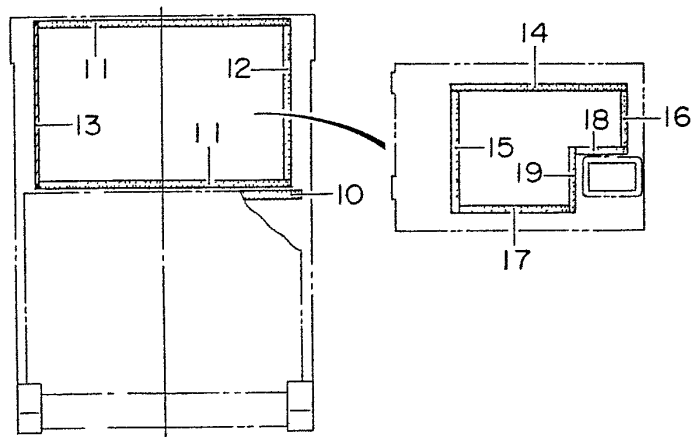
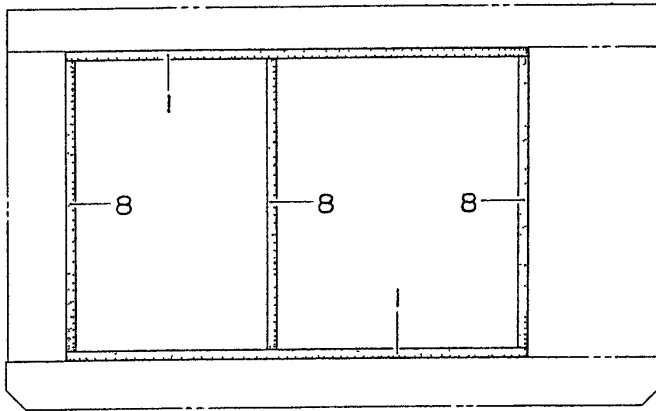
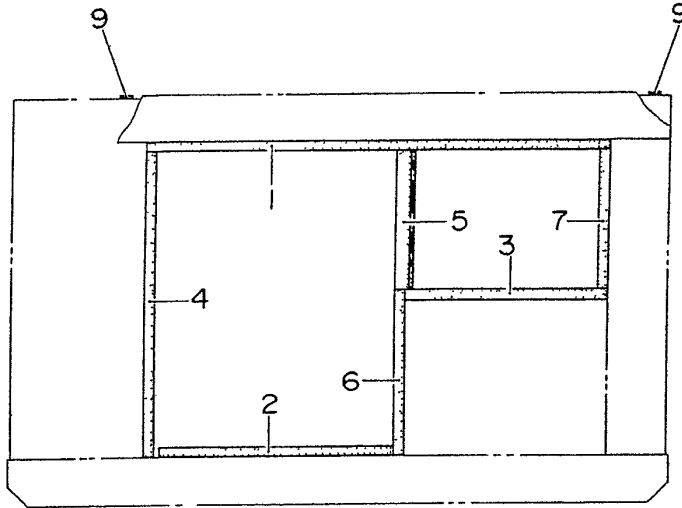
<u>NO.</u>	<u>PART NO.</u>	<u>PART NAME</u>	<u>QTY.</u>	<u>REMARKS</u>
31	M9310000103	BONNET CAP	1	
32	M1483600204	CHAIN ASSY	1	
32-1	0016908020	HEX HEAD BOLT	1	
33	M1453200602	SPLASHER PANEL	1	
33A	M1493300204	ACOUSTIC SHEET	1	
34	0016908055	HEX HEAD BOLT	4	
35	0016908020	HEX HEAD BOLT	2	
36	M1453003403	SIDE DOOR	1	
36A	M1493406304	ACOUSTIC SHEET	1	
37	M1453003503	SIDE DOOR	1	
37A	M1493406404	ACOUSTIC SHEET	1	
38	M1453001303	SIDE DOOR	1	
38A	M1493400404	ACOUSTIC SHEET	1	
39	M1453003603	SIDE DOOR	1	
39A	M1493406504	ACOUSTIC SHEET	1	
40	M1453301104	DUCT	2	
40A	M1493405504	ACOUSTIC SHEET	2	
41	M1453301304	DUCT	1	
41A	M1493407904	ACOUSTIC SHEET	1	
42	0207006000	HEX NUT	15	
43	M9113000002	DOOR HANDLE ASSY	3	
44	0021806016	MACHINE SCREW	12	
44A	0030006000	HEX NUT	12	
45	M9110100204	HINGE	4	
46	M9110100304	HINGE	4	
47	M9116100004	WASHER	8	
48	0016908020	HEX HEAD BOLT	9	
49	0601850097	DOOR STOPPER	8	
50	0027208025	MACHINE SCREW	8	
51	M9310000004	BLIND PLUG	8	
52	0600500090	EMBLEM	1	
53	0021106016	MACHINE SCREW	2	
54	0016908020	HEX HEAD BOLT	1	
54A	0040508000	TOOTHED WASHER	1	
55	0017110020	HEX HEAD BOLT	1	
55A	0040510000	TOOTHED WASHER	1	

ADD THE FOLLOWING DIGITS AFTER THE PART NUMBER WHEN ORDERING ANY PAINTED PANEL TO INDICATE COLOR OF UNIT:

1-ORANGE	5-BLACK
2-WHITE	6-CATERPILLAR YELLOW
3-SPECTRUM GREY	7-CATO GOLD
4-SUNBELT GREEN	8-RED

THE SERIAL NUMBER MAY BE REQUIRED.

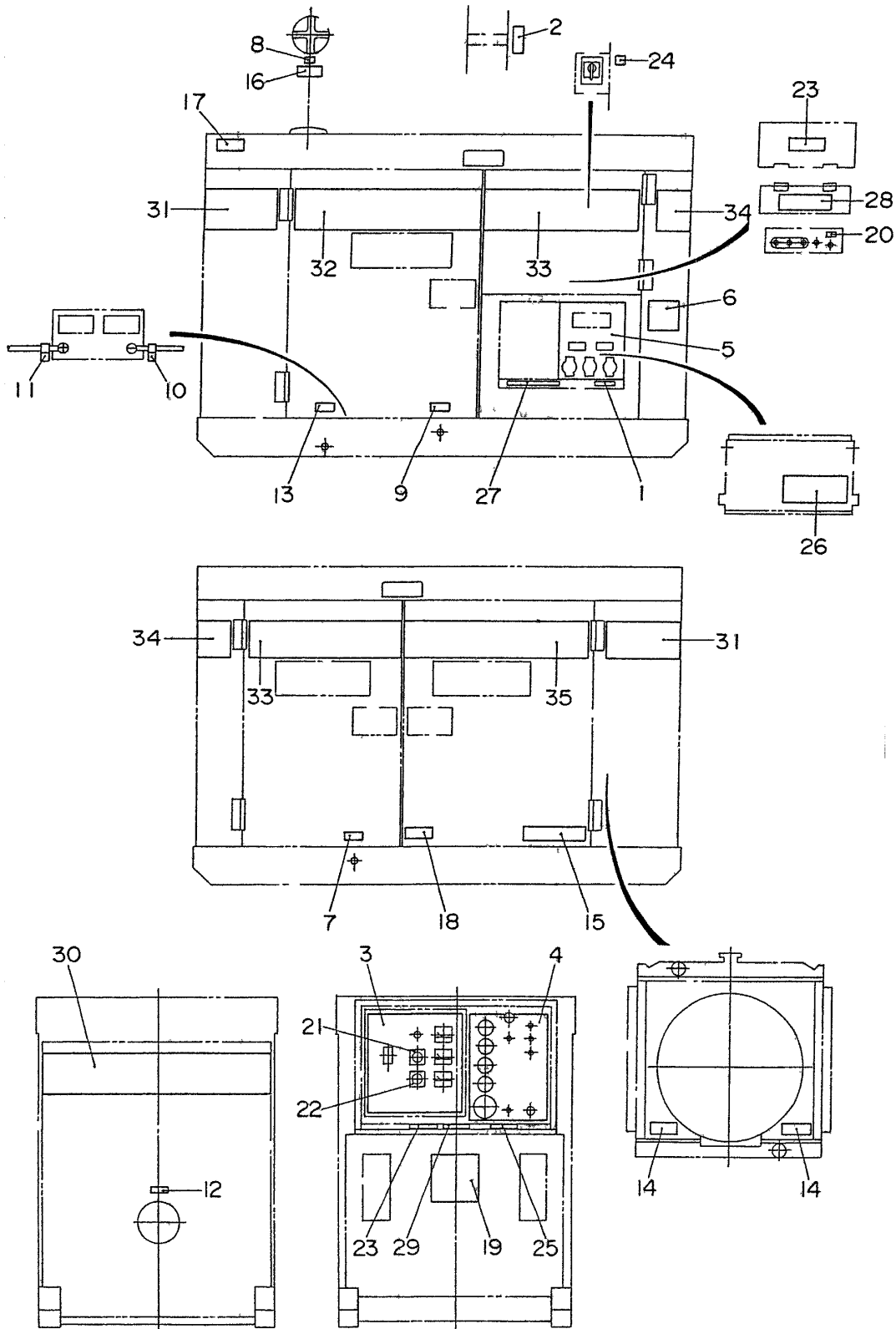
RUBBER SEALS ASSY.



RUBBER SEALS ASSY.

<u>NO.</u>	<u>PART NO.</u>	<u>PART NAME</u>	<u>QTY.</u>	<u>REMARKS</u>
1	0228901370	SEAL RUBBER	3	
2	0229200660	SEAL RUBBER	1	
3	0228900620	SEAL RUBBER	1	
4	0228900940	SEAL RUBBER	1	
5	M1490300104	SEAL RUBBER	1	
6	0228900515	SEAL RUBBER	1	
7	0228900425	SEAL RUBBER	1	
8	0228900910	SEAL RUBBER	3	
9	0229200900	SEAL RUBBER	2	
10	0229200740	SEAL RUBBER	1	
11	0228800770	SEAL RUBBER	2	
12	0228800470	SEAL RUBBER	1	
13	0228800510	SEAL RUBBER	1	
14	0228100545	SEAL RUBBER	1	
15	0228100370	SEAL RUBBER	1	
16	0228100165	SEAL RUBBER	1	
17	0228100340	SEAL RUBBER	1	
18	0228100170	SEAL RUBBER	1	
19	0228100200	SEAL RUBBER	1	

NAMEPLATE AND DECALS ASSY.



NAMEPLATE AND DECALS ASSY.

<u>NO.</u>	<u>PART NO.</u>	<u>PART NAME</u>	<u>QTY.</u>	<u>REMARKS</u>
1	M1550000204	DECAL; NOTE.....	1.....	M15000020
2	M1550001304	DECAL; CAUTION.....	1.....	M15000130
3	M1550002003	DECAL; GENERATOR CONTROL.....	1.....	M15000200
4	M1550002103	DECAL; ENGINE OPERATING.....	1.....	M15000210
5	M1550002203	DECAL; AUXILLARY OUTPUT.....	1.....	M15000220
6	M1550000804	DECAL; NOTE.....	1.....	M15000080
7	M9500000004	DECAL; OIL DRAIN PLUG.....	1.....	M90000000
8	M9500100004	DECAL; WATER.....	1.....	M90010000
9	M9500100104	DECAL; WATER DRAIN.....	1.....	M90010010
10	M9500300004	DECAL; -.....	1.....	M90030000
11	M9500300104	DECAL; +.....	1.....	M90030010
12	M9500500004	DECAL; DIESEL FUEL.....	1.....	M90050000
13	M9500500104	DECAL; FUEL DRAIN PLUG.....	1.....	M90050010
14	M9503000004	DECAL; WARNING.....	2.....	M90300000
15	M9503000103	DECAL; WATER - OIL CHECK.....	1.....	M90300010
16	M9503100004	DECAL; WARNING.....	1.....	M90310000
17	M9503200004	DECAL; WARNING.....	1.....	M90320000
18	M9510100004	DECAL; CAUTION.....	1.....	M91010000
19	M9510200002	DECAL; MQ.....	1.....	M91020000
20	M9520000004	DECAL; GROUND.....	1.....	M92000000
21	M9520000104	DECAL; AMMETER CHANGE-OVER SW.....	1.....	M92000010
22	M9520000204	DECAL; VOLTMETER CHANGE-OVER SW.....	1.....	M92000020
23	M9520100004	DECAL; WARNING.....	2.....	M92010000
24	M9520100204	DECAL; CAUTION.....	1.....	M92010020A
25	M9520100304	DECAL; SAFETY INSTRUCTIONS.....	1.....	M92010030
26	M9520100404	DECAL; DANGER.....	1.....	M92010040
27	M9520100503	DECAL; WARNING.....	1.....	M92010050
28	M9520200003	DECAL; CONNECTION OF OUTPUT CABLE.....	1.....	M92020000
29	M9520200404	DECAL; OVER CURRENT RELAY.....	1.....	M92020040
30	M1560100603	STRIPE; WHISPERWATT	1	
31	M1560101904	DECAL; MQ POWER	2	
32	M1560102003	STRIPE	1	
33	M1560101104	STRIPE	2	
34	M1560100904	STRIPE; 45	2	
35	M1560102103	STRIPE	1	

PARTS MANUAL

HERE'S HOW TO GET HELP

PLEASE HAVE THE MODEL AND SERIAL
NUMBER ON HAND WHEN CALLING

UNITED STATES

Multiquip Inc.

(310) 537- 3700
6141 Katella Avenue Suite 200
Cypress, CA 90630
E-MAIL: mq@multiquip.com
WEBSITE: www.multiquip.com

CANADA

Multiquip

(450) 625-2244
4110 Industriel Boul.
Laval, Quebec, Canada H7L 6V3
E-MAIL: infocanada@multiquip.com

UNITED KINGDOM

Multiquip (UK) Limited Head Office

0161 339 2223
Unit 2, Northpoint Industrial Estate, Globe Lane,
Dukinfield, Cheshire SK16 4UJ
E-MAIL: sales@multiquip.co.uk

© COPYRIGHT 2024, MULTIQUIP INC.

Multiquip Inc, the MQ logo and the MQ Power logo are registered trademarks of Multiquip Inc. and may not be used, reproduced, or altered without written permission. All other trademarks are the property of their respective owners and used with permission.

This manual MUST accompany the equipment at all times. This manual is considered a permanent part of the equipment and should remain with the unit if resold.

The information and specifications included in this publication were in effect at the time of approval for printing. Illustrations, descriptions, references and technical data contained in this manual are for guidance only and may not be considered as binding. Multiquip Inc. reserves the right to discontinue or change specifications, design or the information published in this publication at any time without notice and without incurring any obligations.

Manufactured for
MQ Power Inc.
by
DENYO MANUFACTURING CORP.

