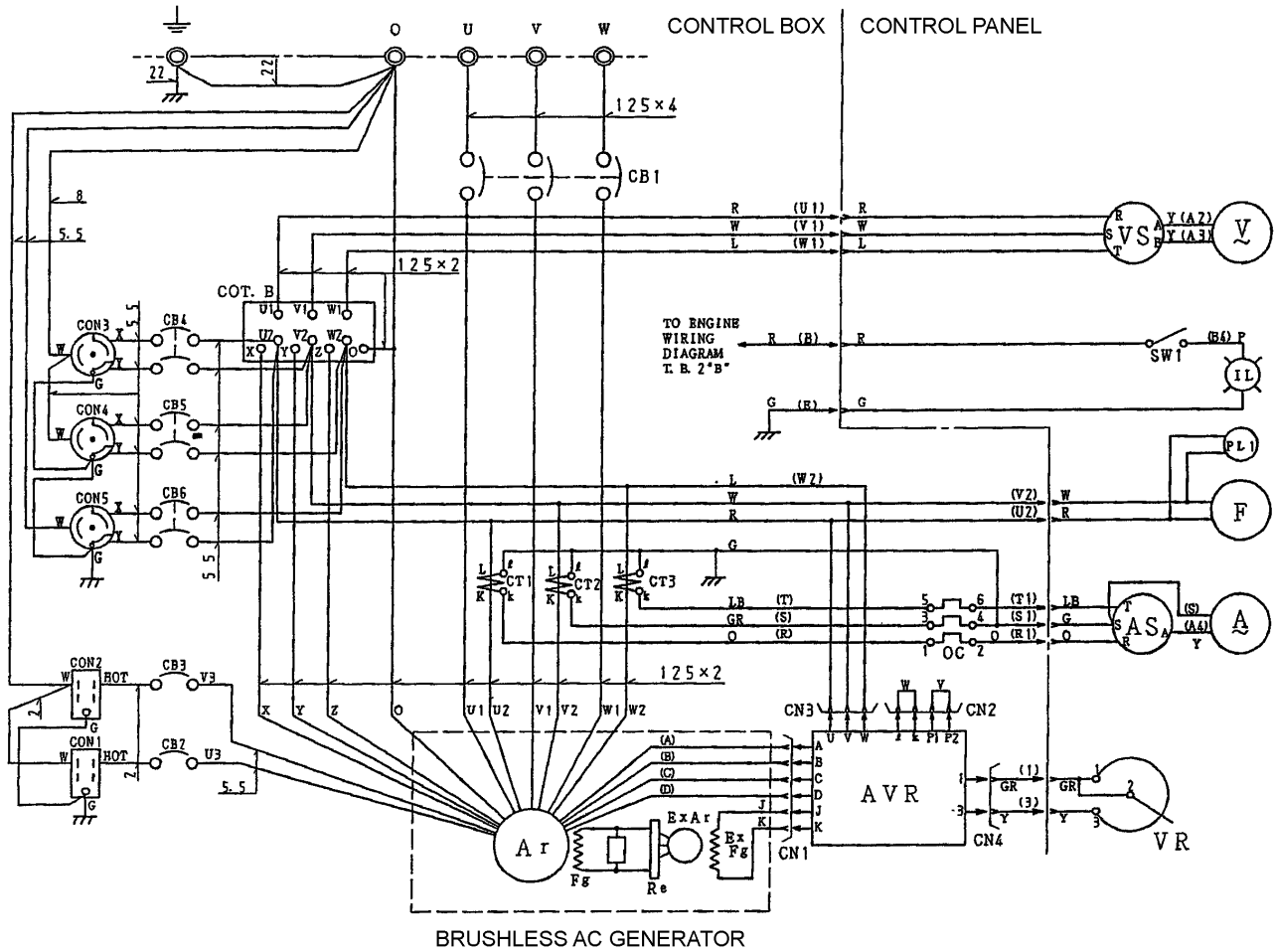
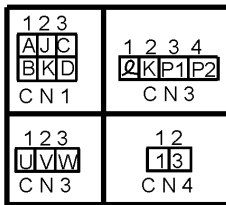


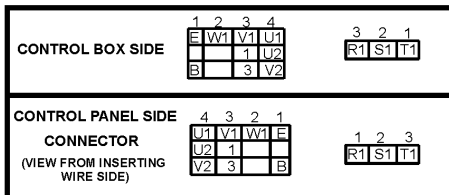
GENERATOR WIRING DIAGRAM



AVR CONNECTOR

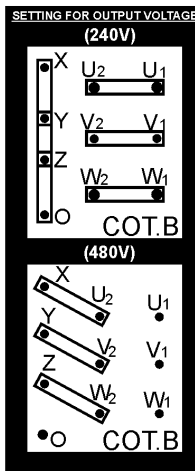


(VIEW FROM INSERTING WIRE SIDE)



WIRE SIZE TABLE	
125:	125mm ²
100:	100mm ²
38:	38mm ²
60:	60mm ²
22:	22mm ²
14:	14mm ²
8:	8mm ²
5:	5mm ²
2:	2mm ²

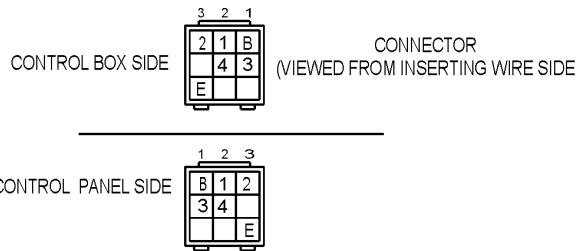
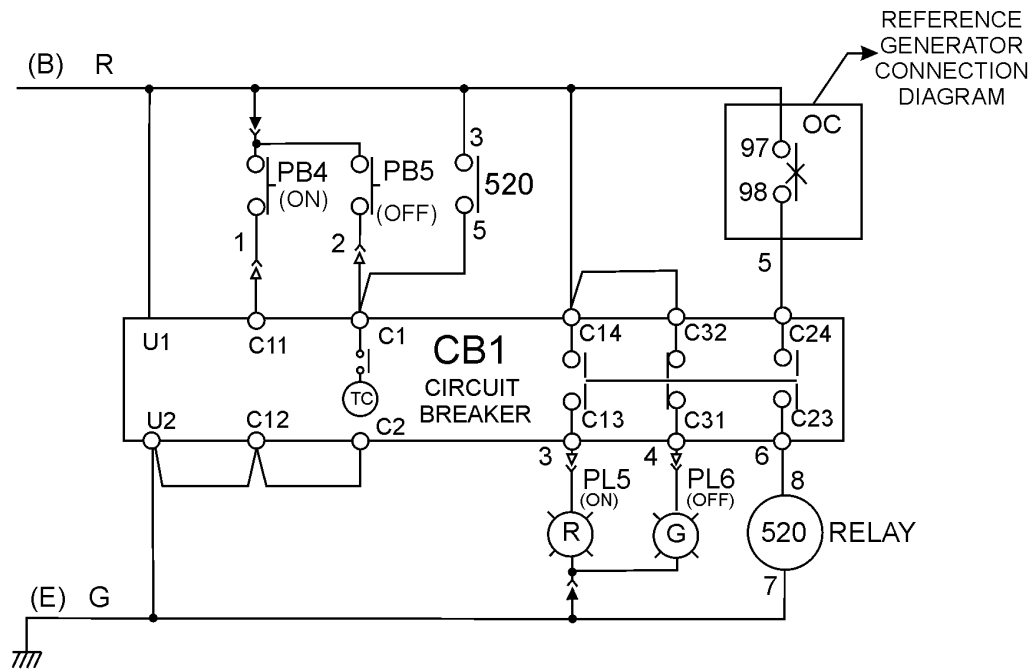
COLOR CODE			
SYM.	WIRE COLOR	SYM.	WIRE COLOR
B	BLACK	R	RED
L	BLUE	W	WHITE
BR	BROWN	Y	YELLOW
G	GREEN	LB	LIGHT BLUE
GR	GRAY	LG	LIGHT GREEN
V	VIOLET	O	ORANGE
P	PINK		



MARK	NAME
Ar	MAIN GENERATOR ARMATURE WINDING
Fg	MAIN GENERATOR FIELD WINDING
ExAr	EXCITER ARMATURE WINDING
ExFg	EXCITER FIELD WINDING
AVR	AUTOMATIC VOLTAGE REGULATOR
VR	VOLTAGE REGULATING RHEOSTAT
Re	RECTIFIER
CT1~3	CURRENT TRANSFORMER (400/5A)
C B 1	CIRCUIT BREAKER (1600A)
OC	OVER CURRENT RELAY
COT. B	VOLTAGE CHANGE-OVER BOARD
AS	AMMETER CHANGE-OVER SWITCH
A	AC AMMETER (0~400, 800A)
VS	VOLTMETER CHANGE-OVER SWITCH
V	AC VOLTMETER (0~600V)
F	FREQUENCY METER (45~65HZ)
PI1	PILOT LAMP
CB2. 3	AUX. CIRCUIT BREAKER (20A)
CB4~6	AUX. CIRCUIT BREAKER (50A)
CON1. 2	AUX POWER RECEPTACLE (20A)
CON3~5	AUX POWER RECEPTACLE (50A)
IL	PANEL LIGHT
SW1	PANEL LIGHT SWITCH

Figure 71. Generator Wiring Diagram

GENERATOR WIRING DIAGRAM (MAIN BREAKER)



WIRE SIZE	COLOR CODE			
	CODE/ WIRE COLOR			
125: 125 mm ²	B	BLACK	R	RED
100: 100 mm ²	L	BLUE	W	WHITE
80: 80 mm ²	BR	BROWN	Y	YELLOW
22: 22 mm ²	G	GREEN	LB	LIGHT BLUE
14: 14 mm ²	GR	GRAY	LG	LIGHT GREEN
8: 8 mm ²	V	VIOLET	O	ORANGE
5.5: 5.5 mm ²	P	PINK		
NO MARK WIRE SIZE: 1.25 mm ²				

SYMBOL	DESIGNATION
PB4	CIRCUIT BREAKER (ON) SWITCH
PB5	CIRCUIT BREAKER (OFF) SWITCH
PL5	CIRCUIT BREAKER (ON) LAMP
PL6	CIRCUIT BREAKER (OFF) LAMP

Figure 72. Main Breaker Wiring Diagram

ENGINE WIRING DIAGRAM

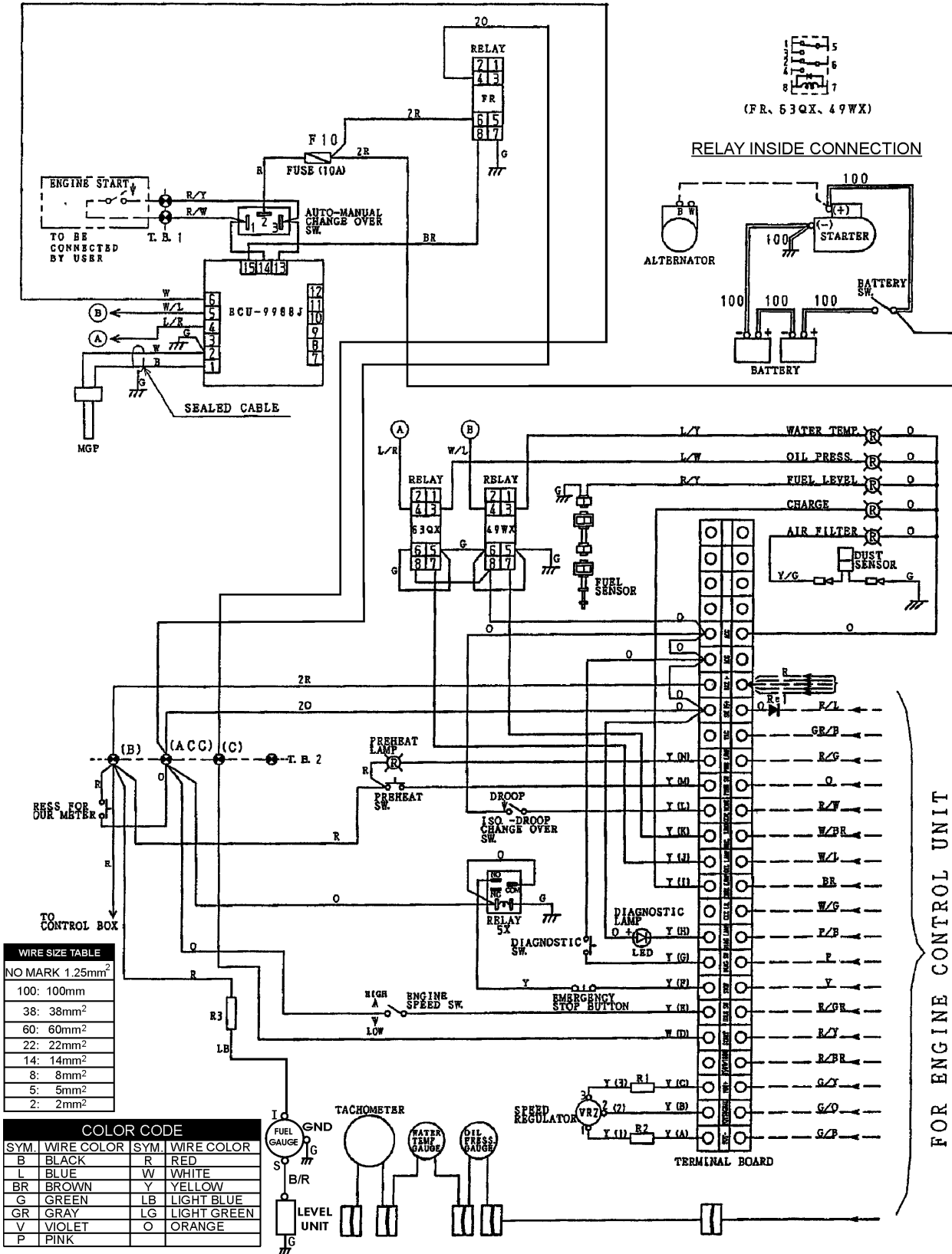


Figure 73. Engine Wiring Diagram