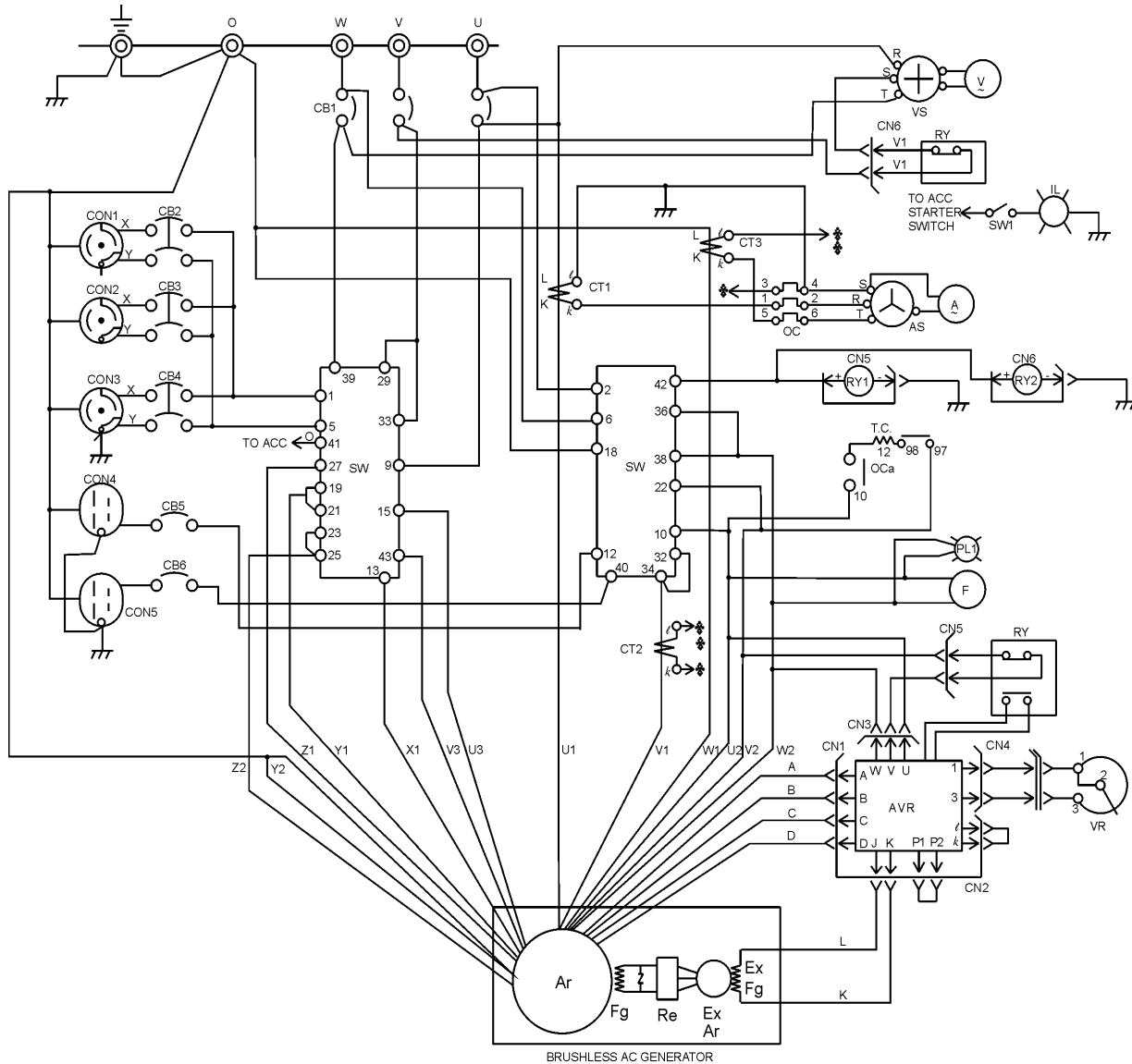


# DCA-60SSAI — SPECIFICATIONS

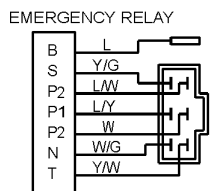
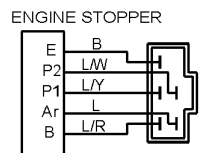
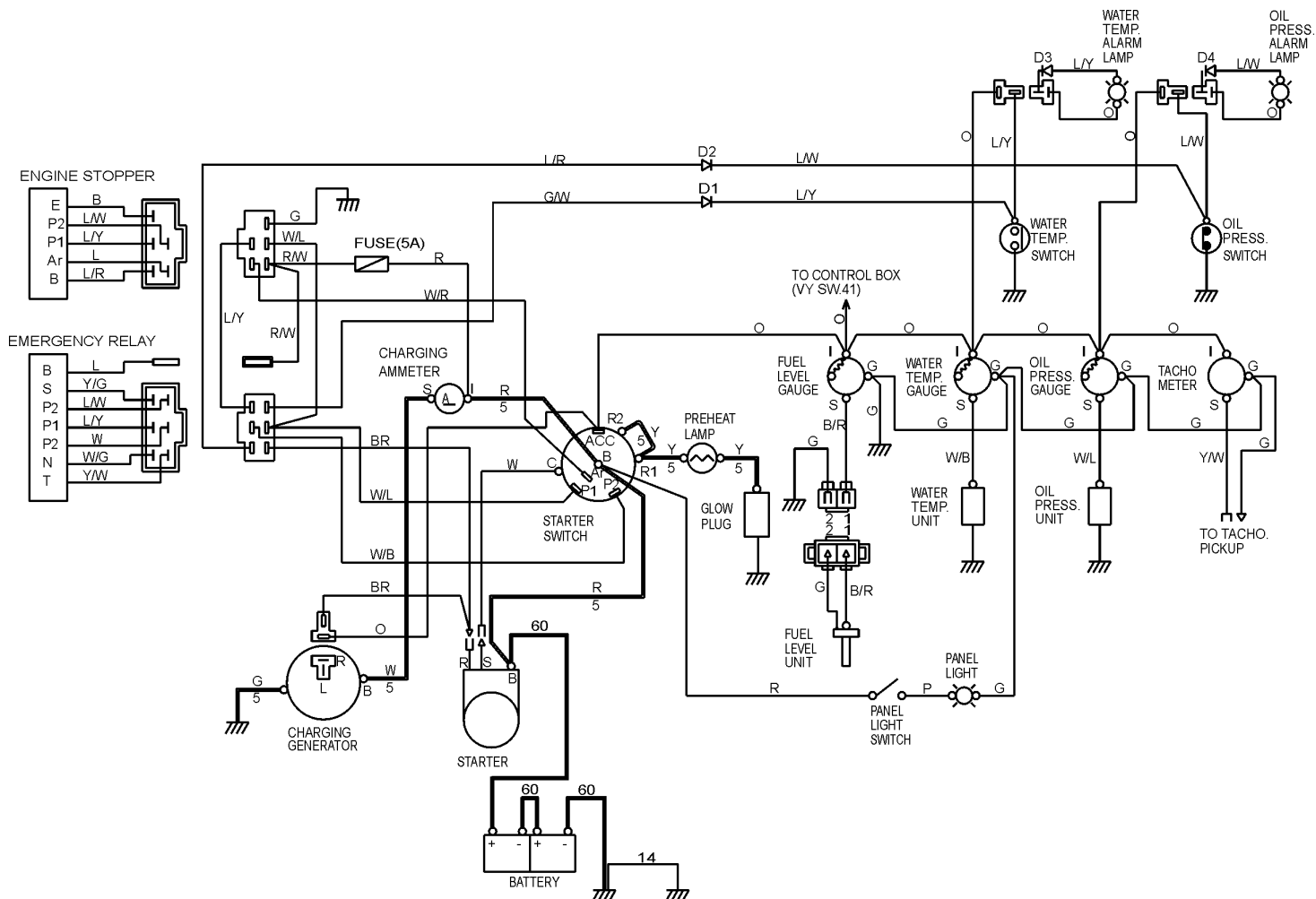
Table 7. Specifications		
Generator Specifications		
Model	DCA-60SSI2	
Type	Revolving field, self ventilated, open protected type synchronous generator	
Armature Connection	<b>Star with Neutral</b>	<b>Zig Zag</b>
Phase	3	Single
Standby Output	72 KVA (57.6 KW)	41.5KW
Prime Output	60 KVA (48 KW)	34.6KW
Voltage	240V or 480V	240/120V
Frequency	60 Hz	
Speed	1800 rpm	
Power Factor	0.8	1
Aux. AC Power	Single Phase, 60 Hz	
Voltage	120 V	
Output	4.8 KW (2.4 KW x 2)	
Engine Specifications		
Model	ISUZU A-6BG1	
Type	4 Cycle, water-cooled, direct injection	
No. of Cylinders	6 cylinders	
Bore x Stroke	4.1 in. x 4.9 in. (105 mm x 125 mm)	
Rated Output	77HP/1800 rpm	
Displacement	396 cu. in. (6494 cc)	
Starting	Electric	
Coolant Capacity	7.8 gal. (29.5 liters)	
Lube Oil Capacity	5.1 gal. (19.3 liters)	
Fuel Consumption	3.9 gal. (14.9L)/hr at <b>full load</b>	3.0 gal. (11.4L)/hr at <b>3/4 load</b>
	2.4 gal. (9.1L)/hr at <b>1/2 load</b>	1.9 gal. (7.2L)/hr at <b>1/4 load</b>
Battery	12V- 100AH x 2	
Fuel	#2 Diesel Fuel	

# DCA-60SSAI — GENERATOR WIRING DIAGRAM

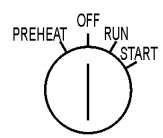


SYMBOL CODE TABLE	
SYMBOL	DESIGNATION
Ar	MAIN GENERATOR ARMATURE WINDING
Fg	MAIN GENERATOR FIELD WINDING
ExAr	EXCITER ARMATURE WINDING
ExFg	EXCITER FIELD WINDING
AVR	AUTOMATIC VOLTAGE REGULATOR
VR	VOLTAGE REGULATOR (RHEOSTAT)
RO	RECTIFIER
CT 1,2,3	CURRENT TRANSFORMER
AS	CHANGE-OVER SWITCH, AMMETER
A	AC, AMMETER 0-100A, 0-200 A
VS	CHANGE-OVER SWITCH, VOLTMETER
V	AC, VOLTMETER 0-600V
F	FREQUENCY METER 45-65Hz
PI1	PILOT LAMP
Cb1	CIRCUIT BREAKER 150 AT
CB 2,3,4	CIRCUIT BREAKER 50 AT
CB 5,6	AUX. CIRCUIT BREAKER 20AT
CON 1,2,3	POWER RECEPTACLE 50A
CON 4,5	AUX. RECEPTACLE 20A
OC	OVER CURRENT RELAY
IL	PANEL LIGHT
SW1	PANEL LIGHT SWITCH
SW	CON AND VOLT CHANGE OVER SWITCH
RY1,2	RELAY UNIT

# DCA-60SSAI — ENGINE WIRING DIAGRAM



COLOR CODE TABLE			
CODE/ WIRE COLOR			
B	BLACK	R	RED
L	BLUE	W	WHITE
BR	BROWN	Y	YELLOW
G	GREEN	LB	LIGHT BLUE
GR	GRAY	LG	LIGHT GREEN
V	VIOLET	O	ORAGNE
P	PINK		



KEY CONNECTION DIAGRAM								
	B	R-1	ACC	R-2	C	Ar	P-1	P-2
OFF	●					●	●	
PREHEAT	●	●				●	●	
RUN	●		●			●	●	●
START	●			●	●	●	●	●