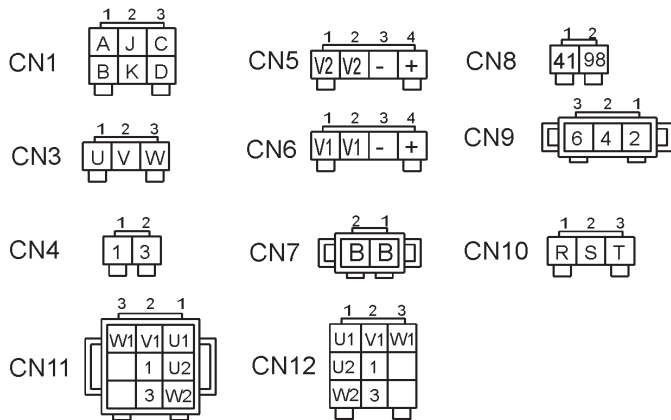
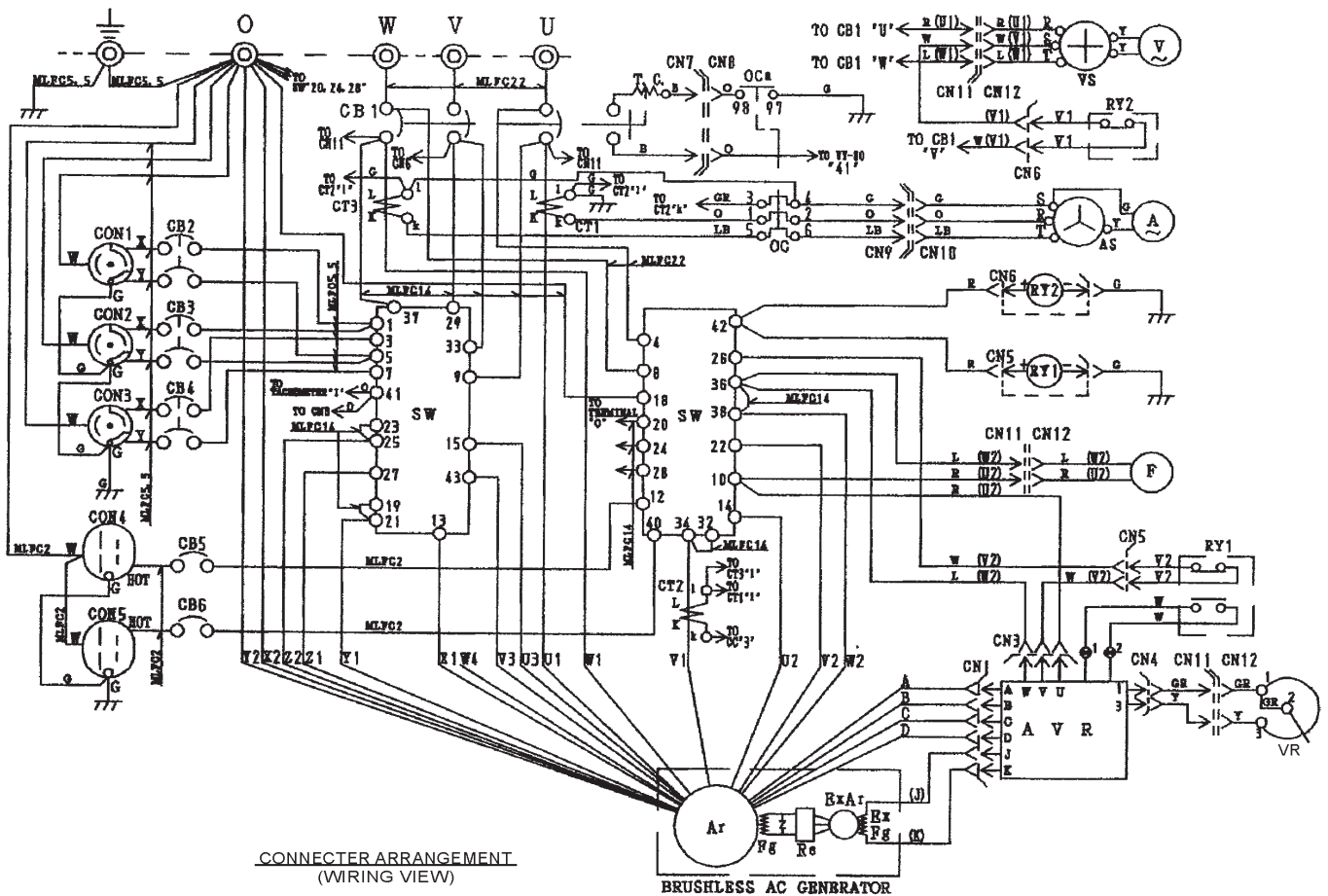


SPECIFICATIONS

Table 1. Generator Specifications		
Model	DCA-70SSIU2	
Type	Revolving field, self ventilated, open protected type synchronous generator	
Armature Connection	Star with Neutral	Zigzag
Phase	3	Single
Standby Output	77 kVA (62 kW)	44 KW
Prime Output	70 kVA (56 KW)	40 KW
Voltage	240 or 480V	240 or 120V
Frequency	60 Hz	
Speed	1800 rpm	
Power Factor	0.8	1.0
Aux. AC Power	Single Phase, 60 Hz	
Voltage	120V	
Output	4.8 Kw (2.4 kW x 2)	
Weight (No Fuel)	2,701 lbs. (1,225 kg.)	
Weight (Fuel)	3,035 lbs. (1,376 kg.)	
Table 2. Engine Specifications		
Model	ISUZU BJ4JJ1X Tier 3	
Type	4 cycle, water-cooled, direct injection, turbo-charged	
No. of Cylinders	4 cylinders	
Bore x Stroke	3.76 in. x 4.13 in. (95.4 mm x 105 mm)	
Displacement	183 cu. in. (3,000 cc)	
Rated Output	85 HP/1800 RPM	
Starting	Electric	
Coolant Capacity	3.09 gal. (11.7 liters)	
Lube Oil Capacity	3.96 gal. (15.0 liters)	
Fuel Type	#2 Diesel Fuel	
Fuel Tank Capacity	40 gal. (150 liters)	
Fuel Consumption	4.1 gal. (15.4 L)/hr at full load	3.1 gal. (11.9 L)/hr at 3/4 load
	2.2 gal. (8.40 L)/hr at 1/2 load	1.4 gal. (5.20 L)/hr at 1/4 load
Battery	12V 72Ah x 1	

GENERATOR WIRING DIAGRAM



COLOR CODE			
SYM.	WIRE COLOR	SYM.	WIRE COLOR
B	BLACK	R	RED
L	BLUE	W	WHITE
BR	BROWN	Y	YELLOW
G	GREEN	LB	LIGHT BLUE
GR	GRAY	LG	LIGHT GREEN
V	VIOLET	O	ORANGE
P	PINK		

Notice:

1. No designation lead size : 1.25

SYMBOL	DESIGNATION
Ar	MAIN GENERATOR ARMATURE WINDING
Fg	MAIN GENERATOR FIELD WINDING
ExAr	EXCITER ARMATURE WINDING
ExFg	EXCITER FIELD WINDING
Re	RECTIFIER
AVR	AUTOMATIC VOLTAGE REGULATOR
VR	VOLTAGE REGULATOR (RHEOSTAT)
CT 1,2,3	CURRENT TRANSFORMER
AS	CHANGE-OVER SWITCH, AMMETER
A	AC AMMETER
VS	CHANGE-OVER SWITCH, VOLTMETER
V	AC VOLTMETER
F	FREQUENCY METER
CB1	CIRCUIT BREAKER 3P 110A
CB2,3,4	CIRCUIT BREAKER 2P 50A
CB5,6	CIRCUIT BREAKER 1P 20A
CON1,2,3	RECEPTACLE 250V 50A
CON5,6	RECEPTACLE 125V 20A
OC	OVER CURRENT RELAY
SW	SELECTOR SWITCH
RY1,2	RELAY UNIT
Re1	RELAY RECTIFIER

Figure 63. Generator Wiring Diagram

ENGINE WIRING DIAGRAM

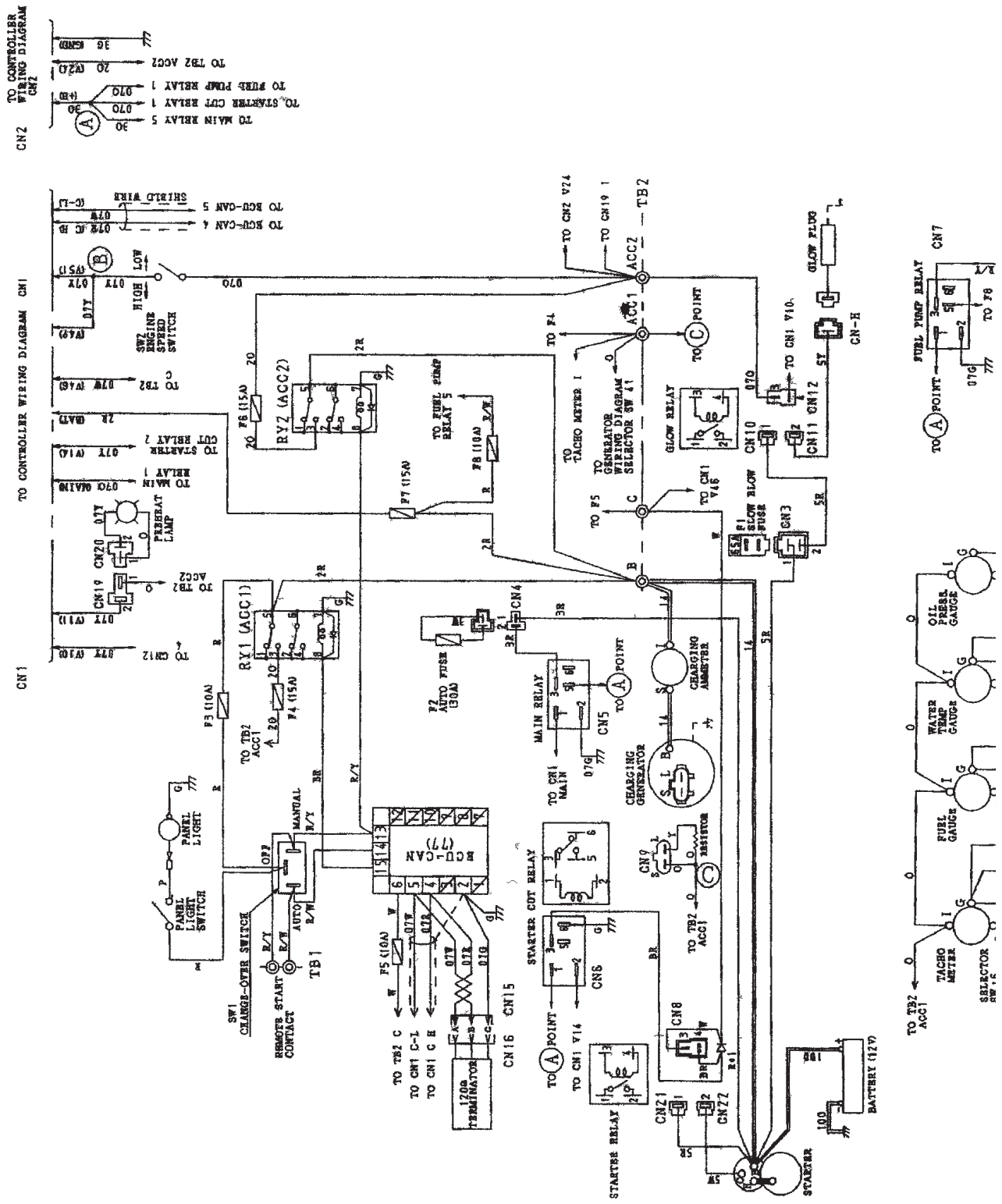


Figure 64. Engine Wiring Diagram